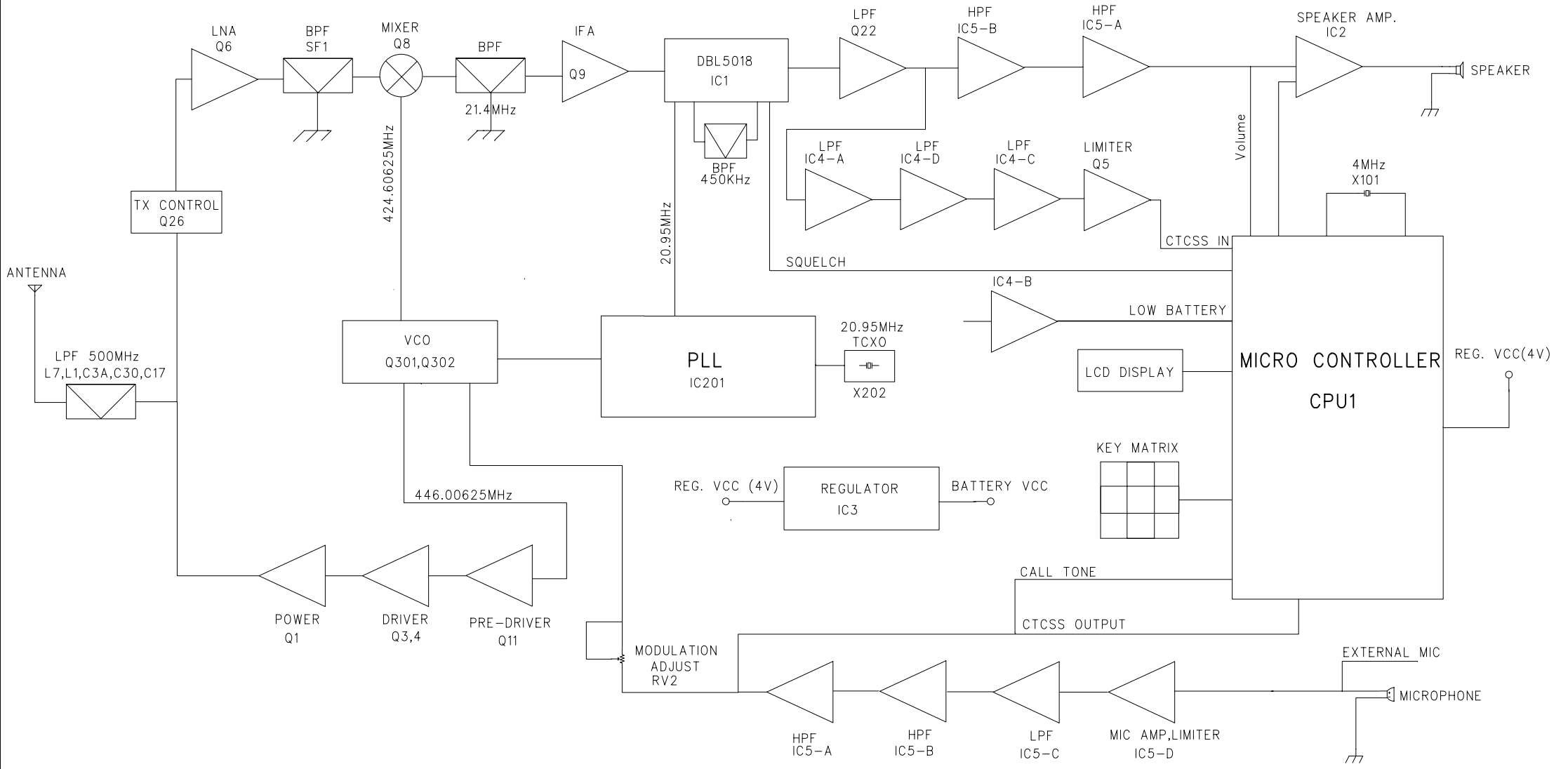
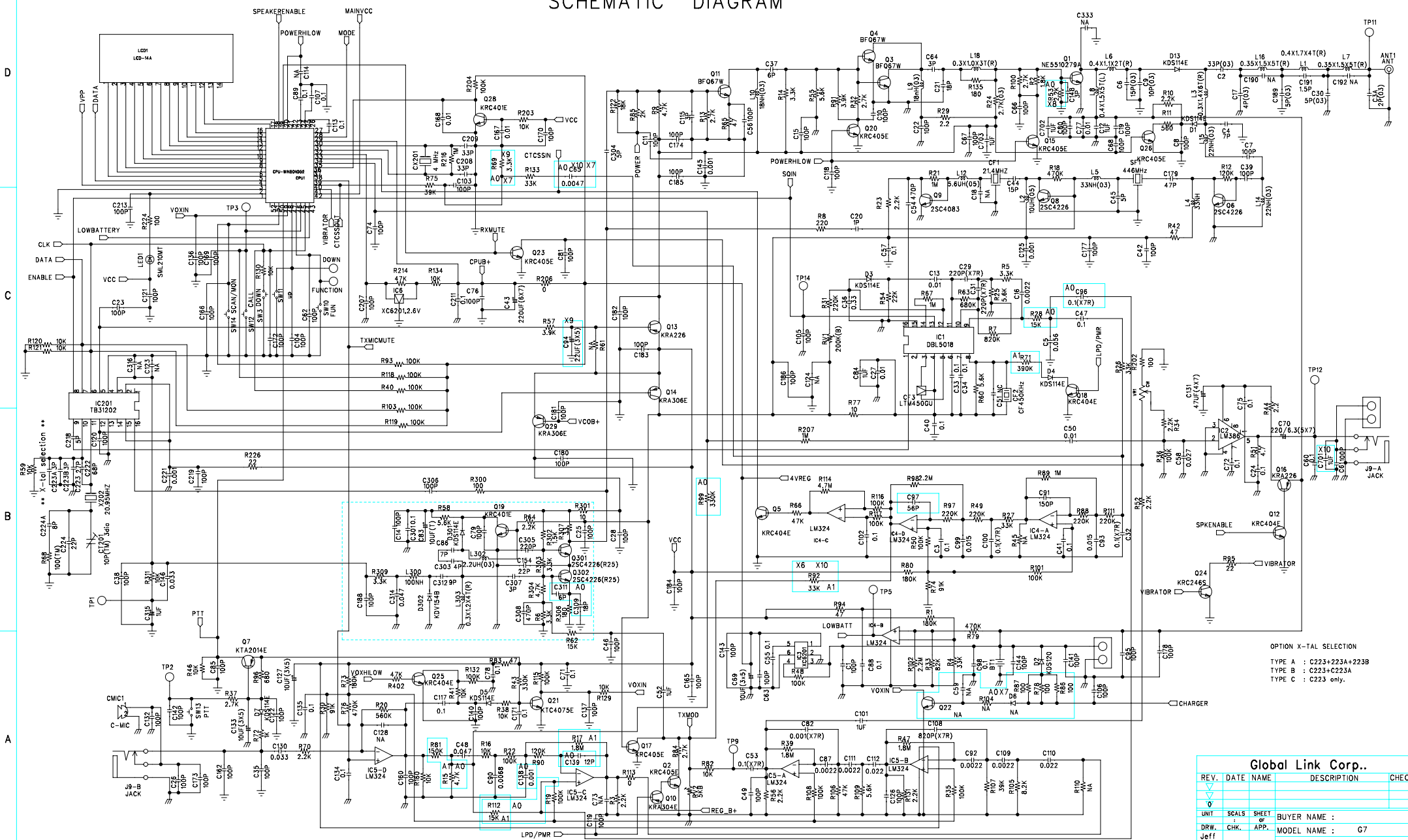


G7 BLOCK DIAGRAM



BLOCK DIAGRAM			
Title	G7BLK.SCH		
Drawn		Sheet	
Drawing No		PCB No	
REV			

SCHEMATIC DIAGRAM



OPTION X-TAL SELECTION
 TYPE A : C223+223A+223B
 TYPE B : C223+C223A
 TYPE C : C223 only.

Global Link Corp.				
REV.	DATE	NAME	DESCRIPTION	CHECK
0				
UNIT	SCALS	SHEET	BUYER NAME :	
DRW.	CHK.	APP.	MODEL NAME : G7	
2005/04/06			DRAWING NO.:	A1