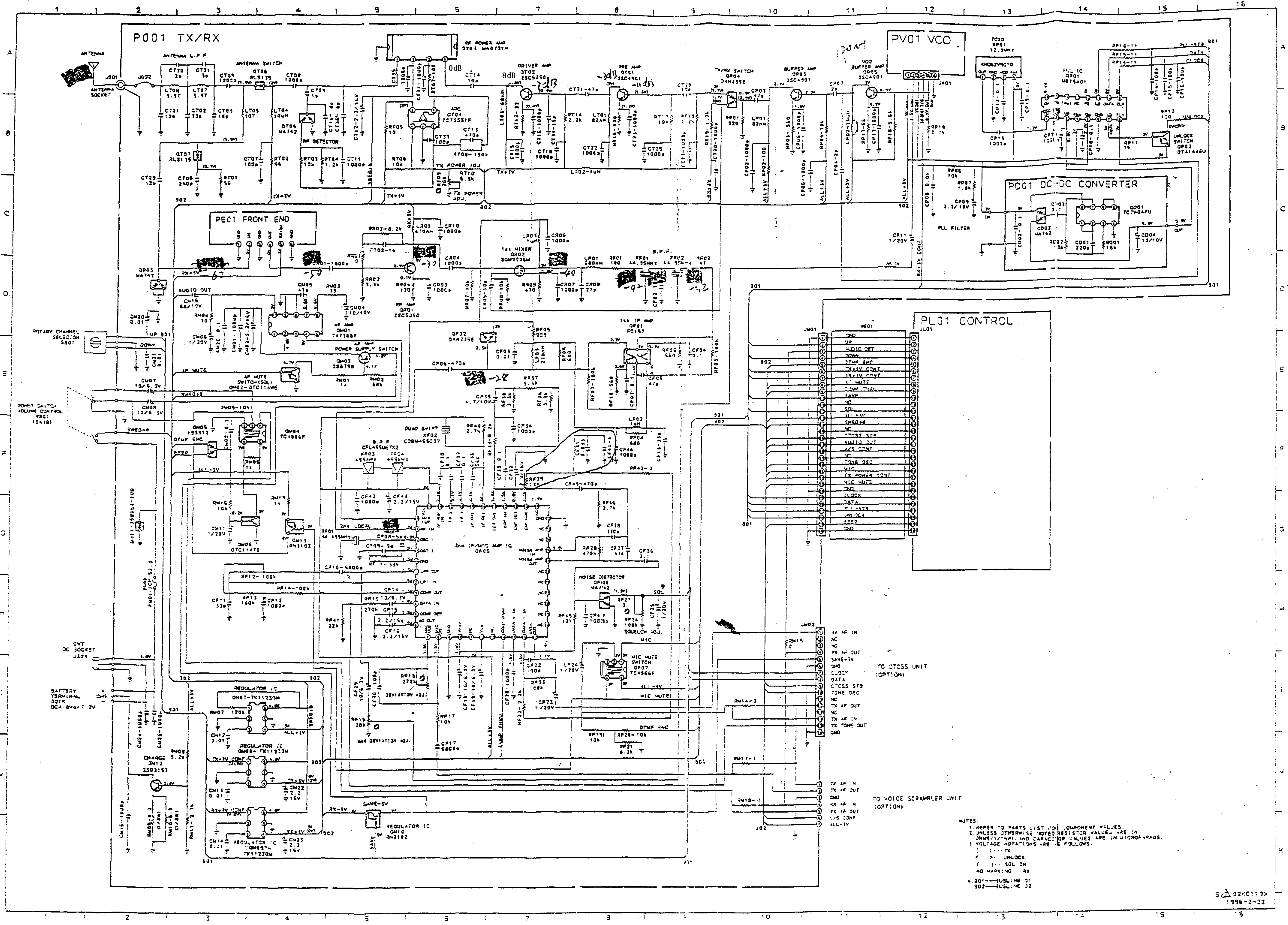
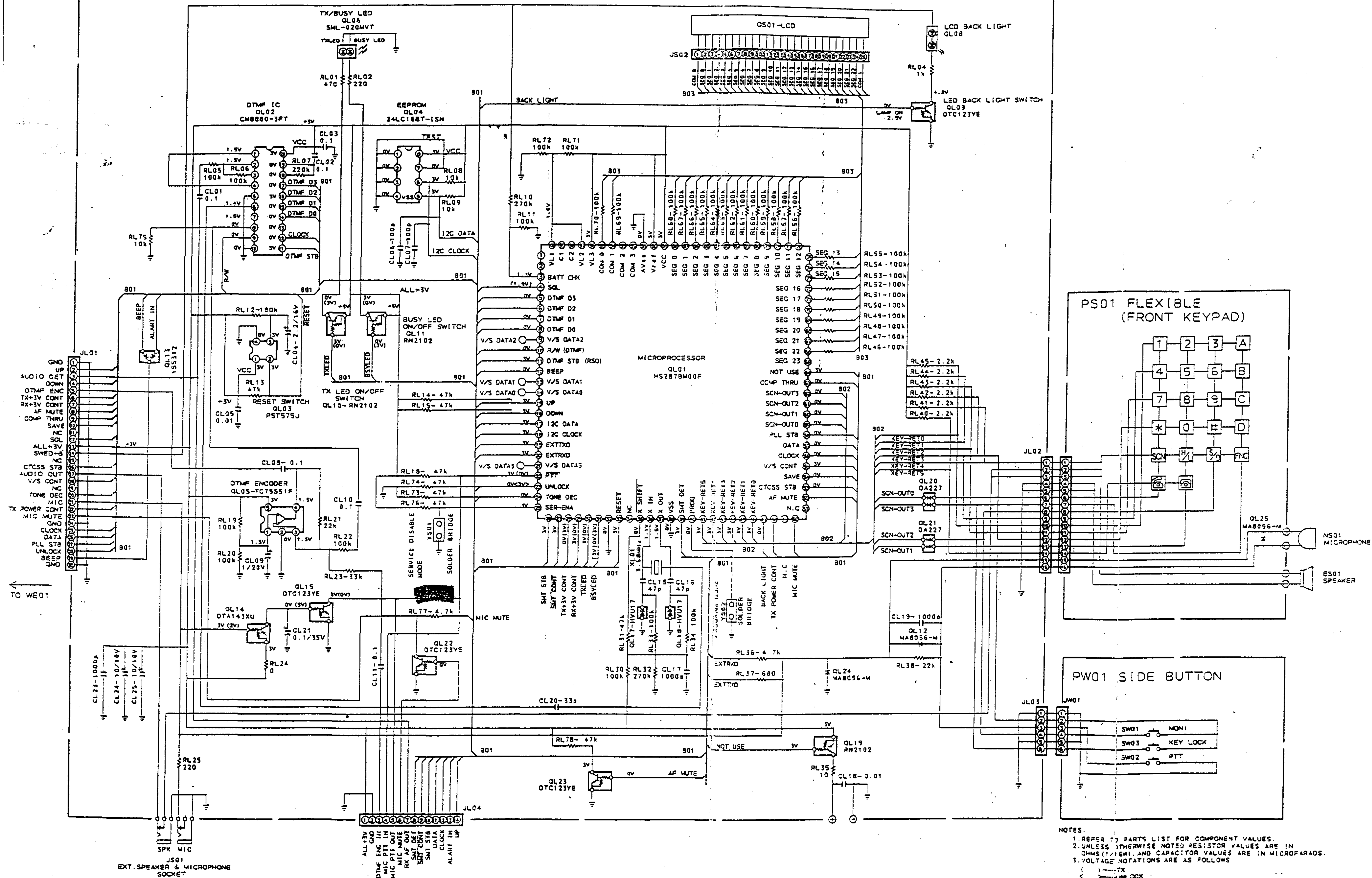


12. SCHEMATIC DIAGRAM AND COMPONENT OVERLAY



PL01 CONTROL



- NOTES:
1. REFER TO PARTS LIST FOR COMPONENT VALUES.
 2. UNLESS OTHERWISE NOTED RESISTOR VALUES ARE IN OHMS (1/16W), AND CAPACITOR VALUES ARE IN MICROFARADS.
 3. VOLTAGE NOTATIONS ARE AS FOLLOWS
 () --- TX
 < --- UNLOCK
 > --- SQL ON
 NO MARKING --- RX
 4. 301 --- BUSLINE 01
 302 --- BUSLINE 02
 303 --- BUSLINE 03

J. BLOCK DIAGRAM

