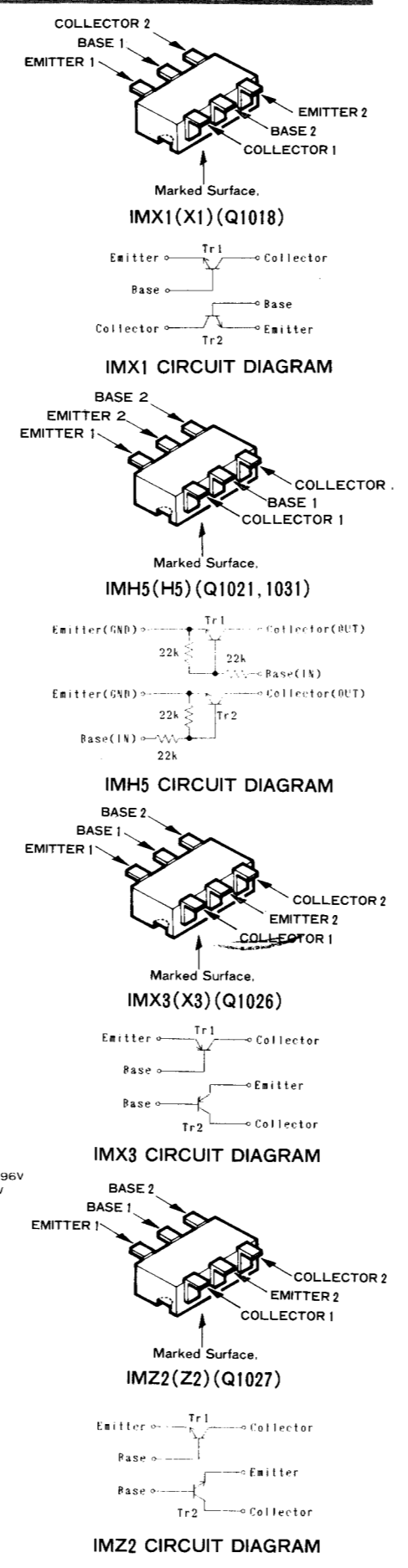
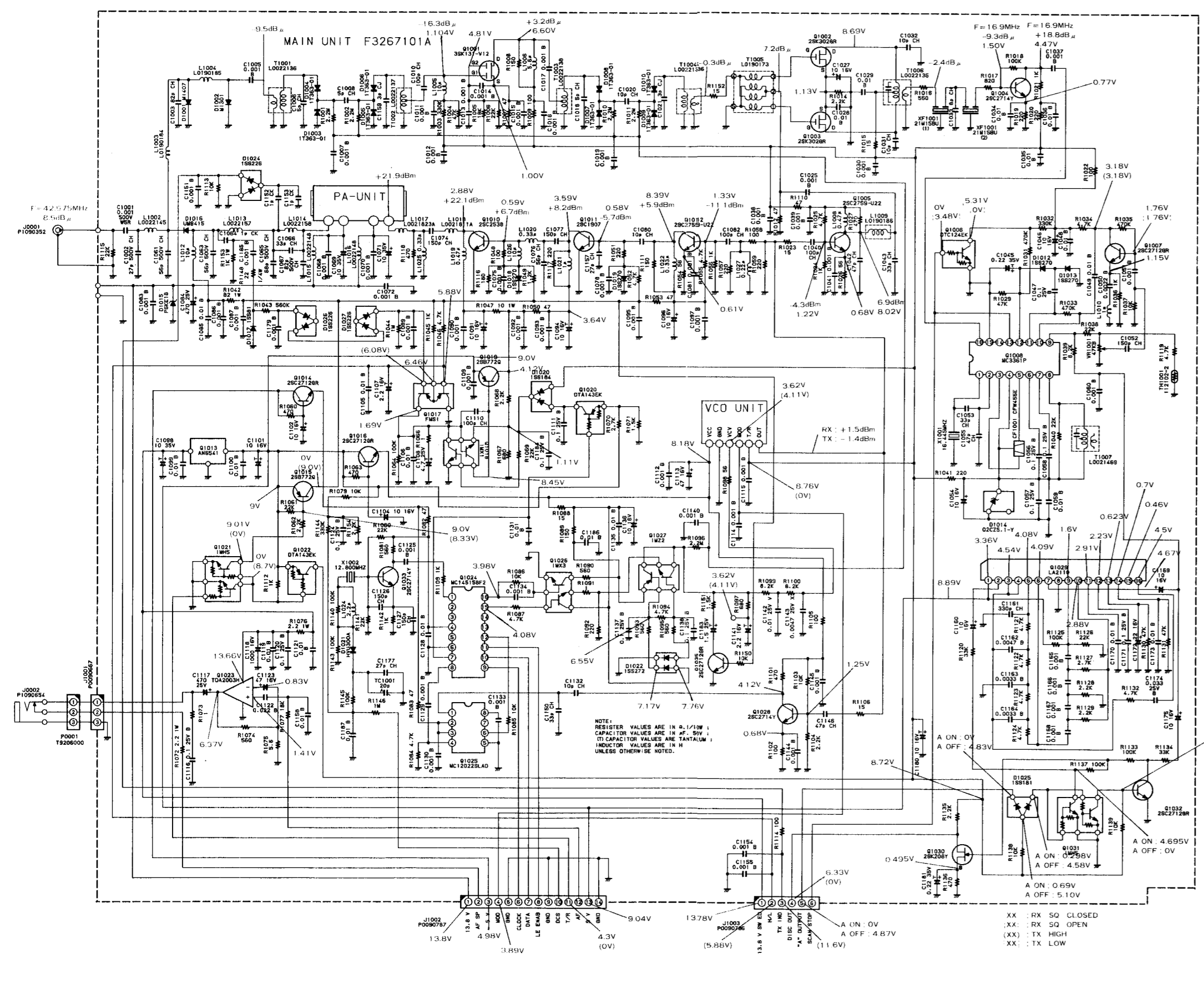
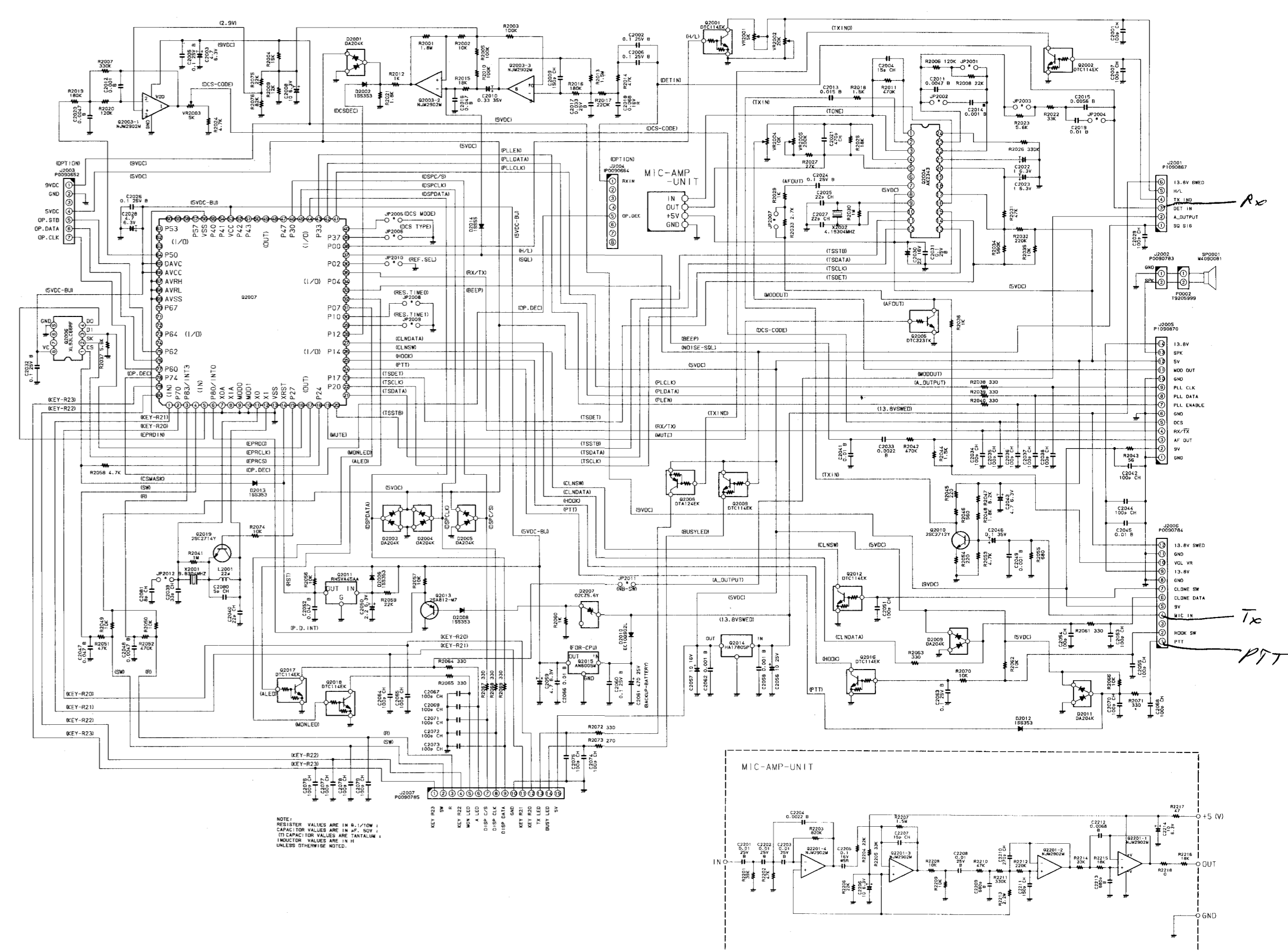


Circuit Diagram



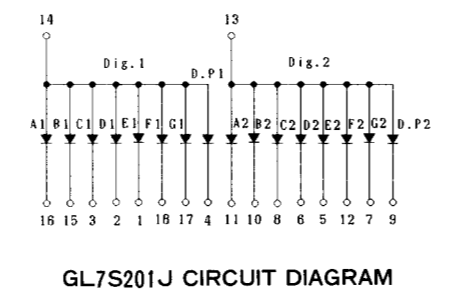
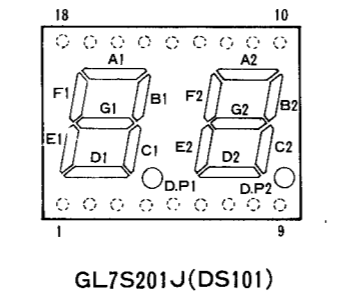
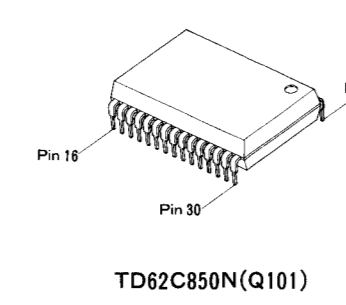
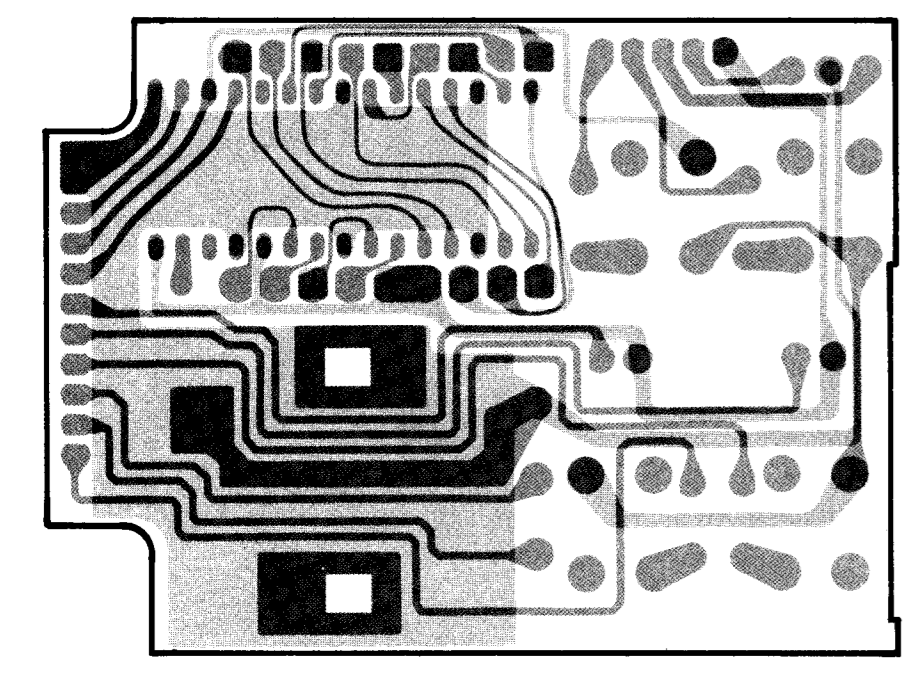
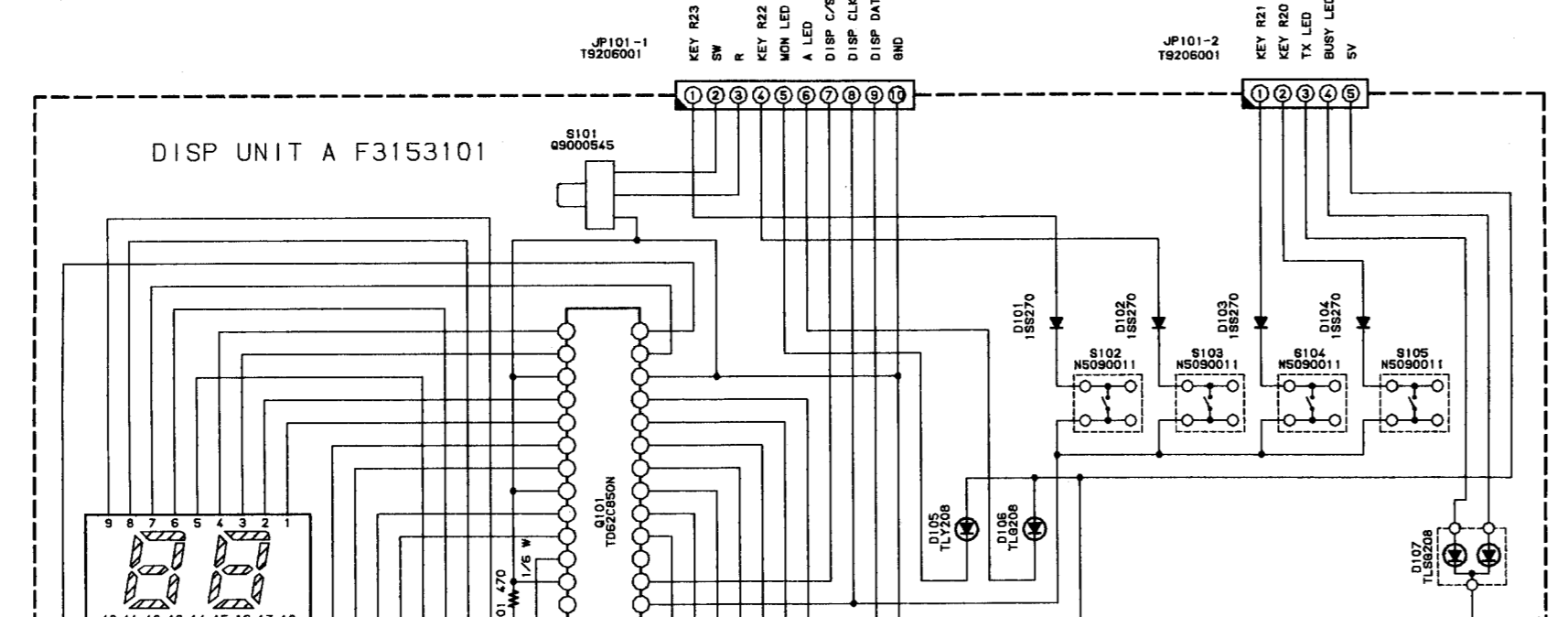
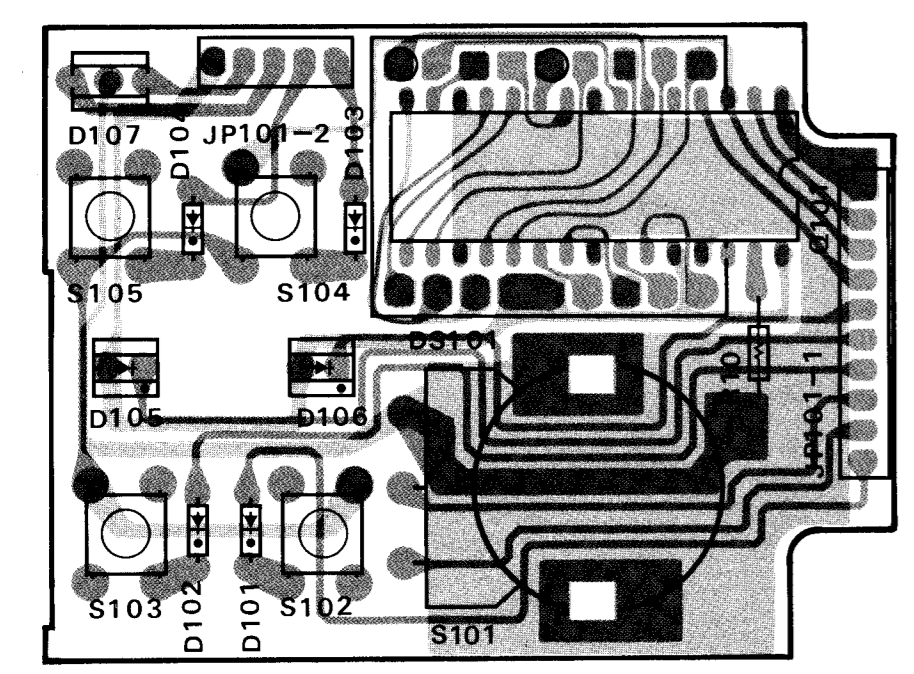
Circuit Diagram Lot. ~33



DISP Unit A

Parts Layout & Circuit Diagram

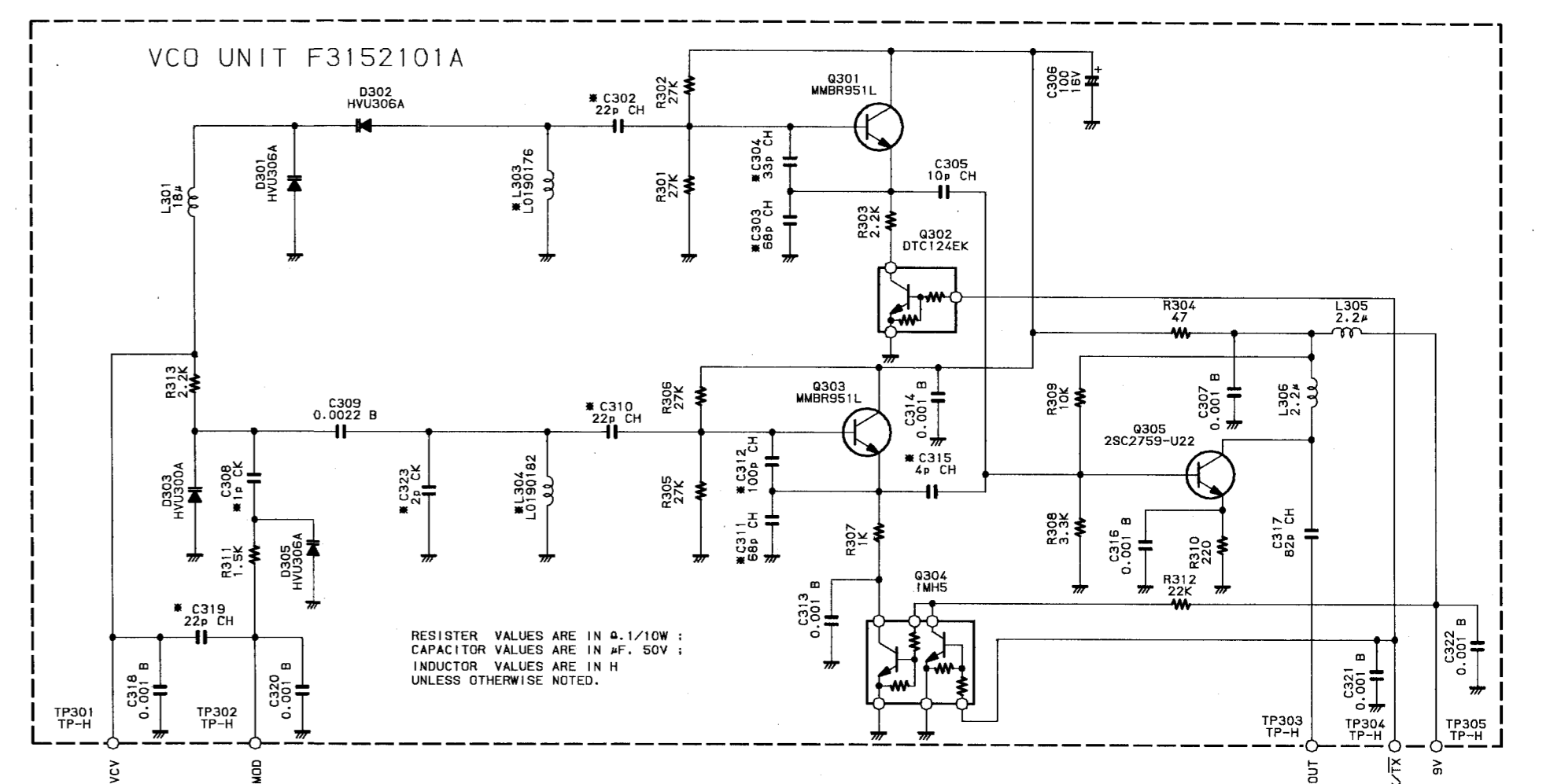
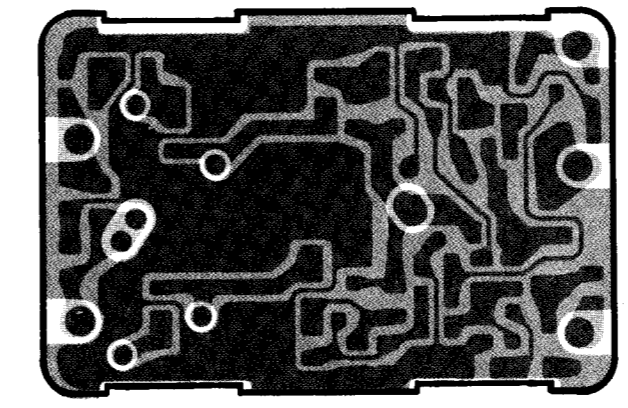
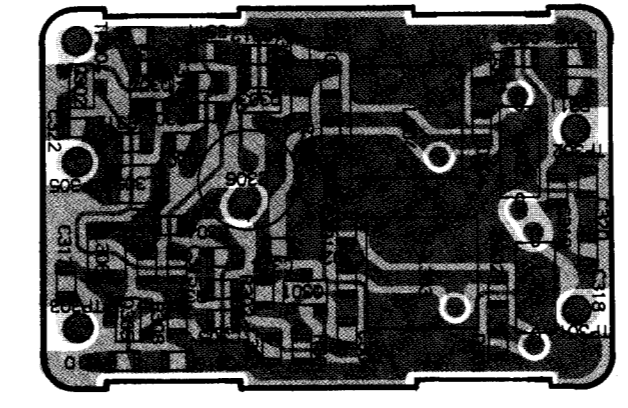
DISP Unit A (Nos. 1xx)



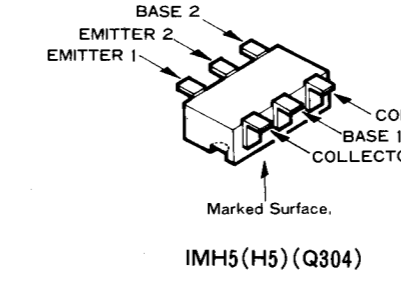
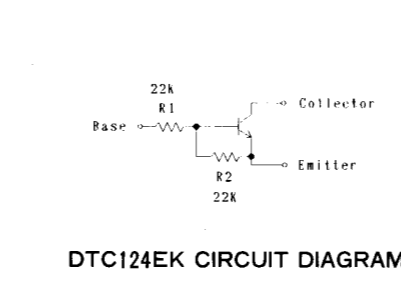
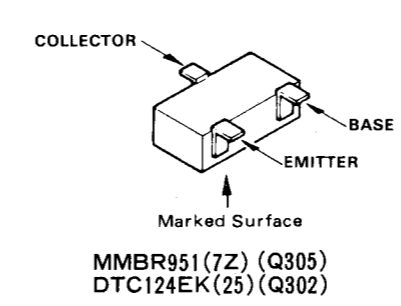
VCO Unit

Parts Layout & Circuit Diagram

VCO Unit (Nos. 3xx)



Obverse View of Solder Side



BAND	A	B
L303	L0190182	L0190176
L304	L002231	L0190182
C302	33P	22P
C303	47P	68P
C304	82P	33P
C308	2P	1P
C310	39P	22P
C315	3P	4P
C323	—	2P

FREQ	A	B
30~37MHz	25K	27P
37~40MHz	—	22P

TYPE-A	VCV4DJ	FREQ	TABLE
30~37MHz	—	A	B
37~40MHz	—	—	—

