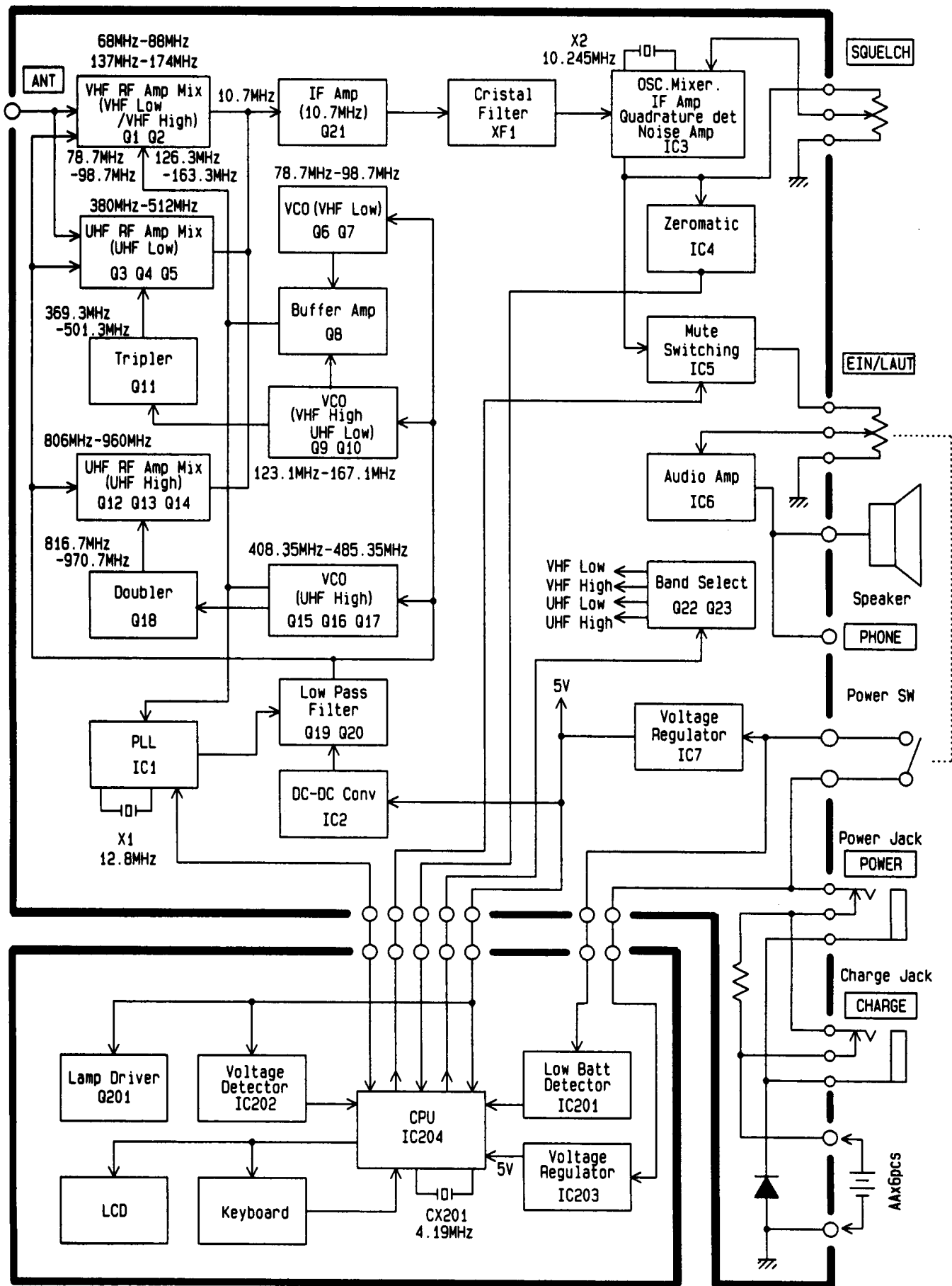


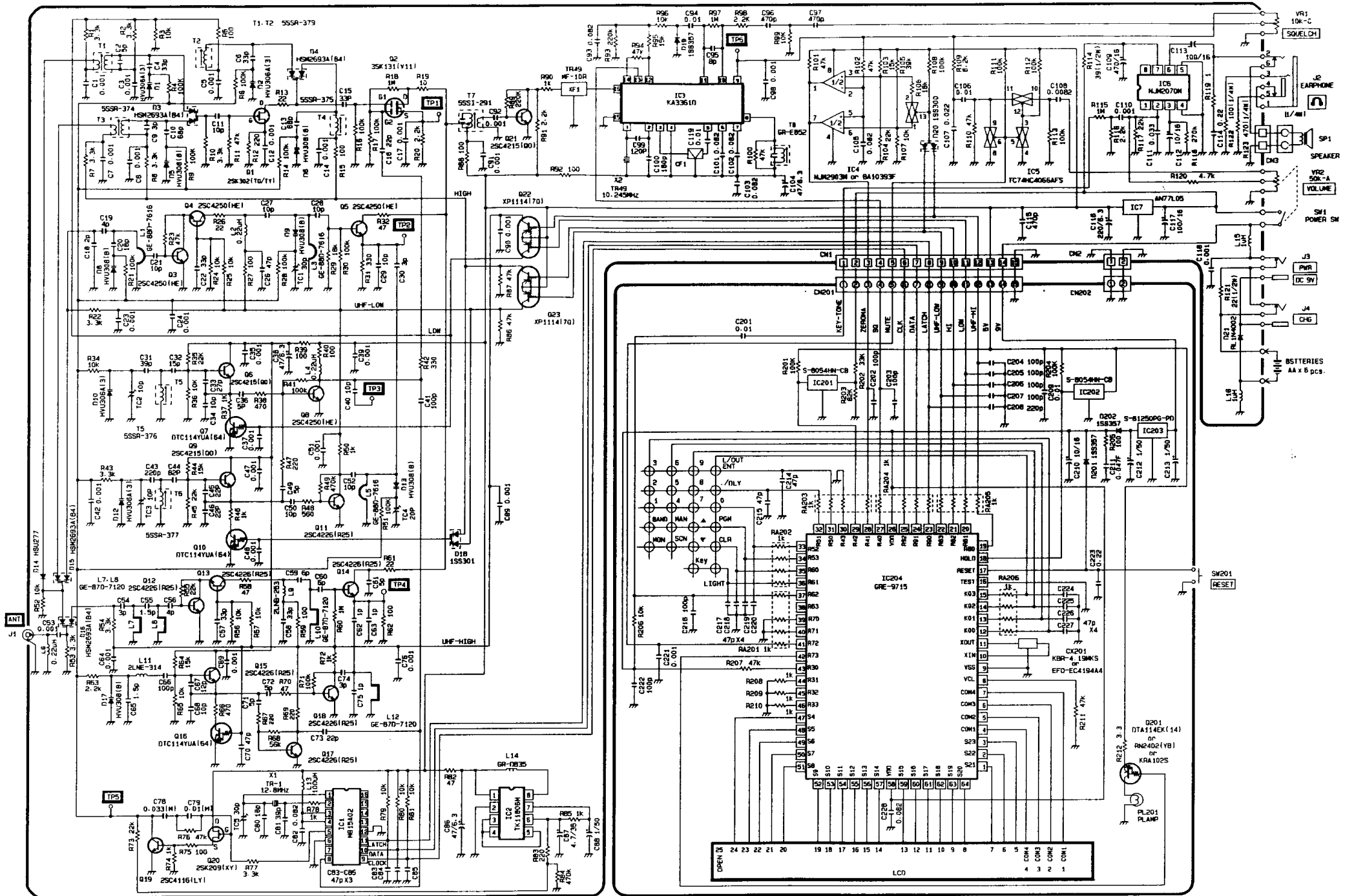
SPECIFICATIONS

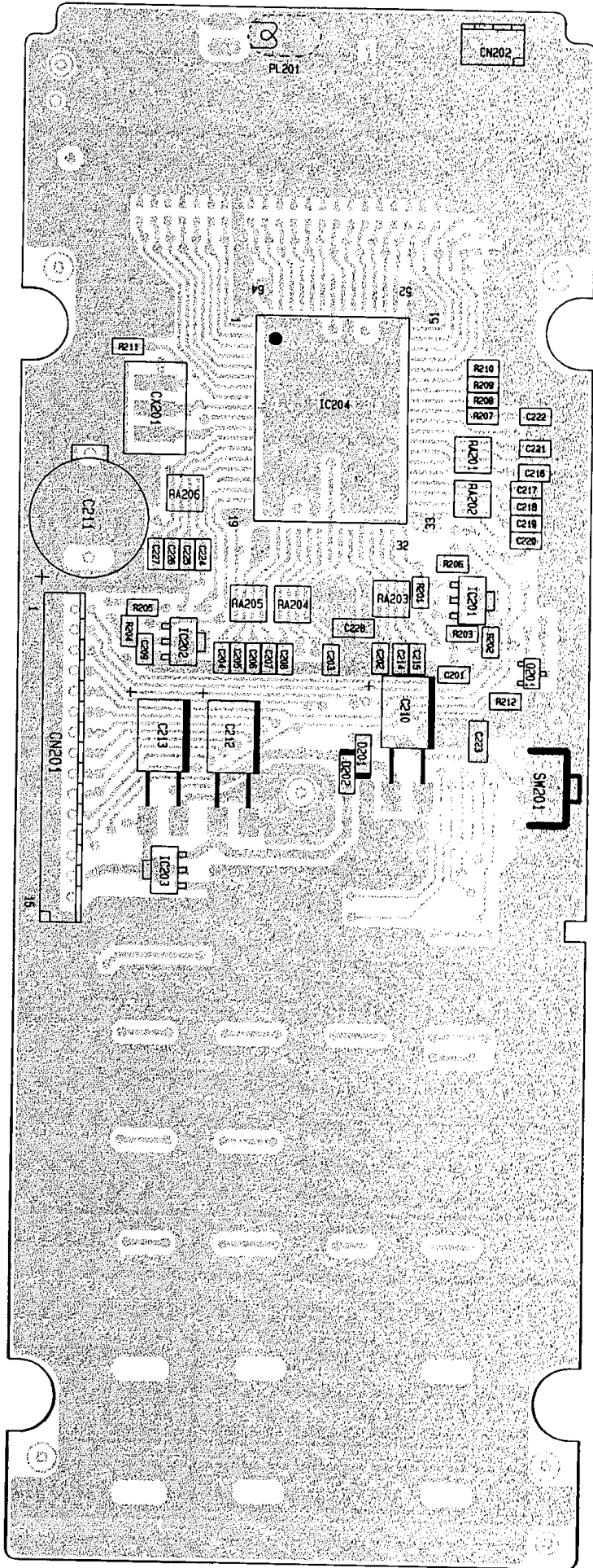
Frequency coverage	VHF Low	68-88 MHz	5 kHz steps		
	VHF High	137-174 MHz	5 kHz steps		
	UHF Low	380-512 MHz	12.5 kHz steps		
	UHF High	806-960 MHz	12.5 kHz steps		
Sensitivity			Unit	Nominal	Limit
	VHF Low		μV	1.0	2.0
	VHF High		μV	1.0	3.0
	UHF Low		μV	1.0	4.0
Squelch sensitivity	UHF High		μV	2.0	4.0
	at threshold		μV	1.0	4.0
Selectivity	at tight		dB	25	15
	-6 dB		kHz	±10	±14
Spurious rejection (except primary image)	-50 dB		kHz	±18	±25
	VHF Low at 78 MHz		dB	50	30
	VHF High at 154 MHz		dB	50	30
IF rejection	UHF Low and UHF High		Not specified		
	10.7 MHz at 154 MHz		dB	70	60
Acceptable radio frequency displacement (EIA RS-204D)			kHz	±6	±3
Signal to noise ratio	VHF Low at 78 MHz		dB	45	30
	VHF High at 154 MHz		dB	45	30
	UHF Low at 450 MHz		dB	35	25
	UHF High at 860 MHz		dB	35	25
Residual noise	volume control: minimum, squelched		mV	3	5
Scanning Speed			Channels/sec.	25	22-28
Scan delay time			sec.	2	1-3
Audio output power	10% THD		mW	200	150
Channel of operation	Any 50 channels in any band combination				
Channel, frequency, and mode displays	Liquid crystal display				
Receiving system	Direct key entry digital-controlled synthesizer, superheterodyne, 1 st IF: 10.7 MHz, 2 nd IF: 455 kHz				
Power source	9V DC negative ground only 6AA batteries or a suitable adapter				
Jacks	Antenna, earphone, external power and charge				
Dimensions	161 x 63 x 43 mm (HWD)				
Weight	Approx. 240 g without antenna				

Note: Nominal specs represent the design specs. All units should be able to approximate these—some will exceed and some may drop slightly below these specs. Limit specs represent the absolute worst condition that still might be considered acceptable; in no case should a unit fail to meet limit specs.

ALBRECHT AE 80 H Blockschaltbild







EXPLODED VIEW

