

CONCERT BOY 240
MUSIC BOY 180

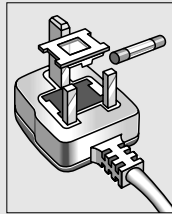
NOTES

GB Important notes for users in the U.K.

Mains plug

This apparatus is fitted with an approved moulded 13 Amp plug. To change a fuse in this type of plug proceed as follows:

- Remove fuse cover and fuse.
- Fix new fuse which should be a BS1362 5 Amp, A.S.T.A. or BSI approved type.
- Refit the fuse cover.



If the fitted plug is not suitable for your socket outlets, it should be cut off and an appropriate plug fitted in its place.

If the mains plug contains a fuse, this should have a value of 5 Amp. If a plug without a fuse is used, the fuse at the distribution board should not be greater than 5 Amp.

Note: The severed plug must be disposed to avoid a possible shock hazard should it be inserted into a 13 Amp socket elsewhere.

How to connect a plug

The wires in the mains lead are coloured with the following code: blue = neutral (N), brown = live (L).

As these colours may not correspond with the colour markings identifying the terminals in your plug, proceed as follows:

- Connect the blue wire to the terminal marked N or coloured black.
- Connect the brown wire to the terminal marked L or coloured red.
- Do not connect either wire to the earth terminal in the plug, marked E (or e) or coloured green (or green and yellow).

Before replacing the plug cover, make certain that the cord grip is clamped over the sheath of the lead – not simply over the two wires.

Dichiarazione di conformità ai sensi del D.M. 28.08.95, n. 548

Si dichiara che gli apparecchi illustrati nel presente libretto di istruzioni per l'uso rispondono alle prescrizioni dell'articolo 2, comma 1, del Decreto Ministeriale 28 Agosto 1995, n. 548.

Fatto a Braga il 03/03/1997

**GRUNDIG AUDIO INTERNACIONAL, LDA.
Apartado 34
4701 Braga Codex – Portugal**

INDEX

Deutsch	Seite
Bedienelemente	4
Stromversorgung	5
Radio	5-6
Allgemein	6

English	Page
Controls.....	7
Power supply.....	8
Radio	8-9
General.....	9

Français	Page
Contrôles	10
Alimentation	11
Radio	11-12
Général.....	12

Italiano	Pagina
Controlli	13
Alimentazione.....	14
Radio	14-15
Generalità	15

Português	Página
Controlos.....	16
Alimentação.....	17
Rádio	17-18
Geral	18

Español	Página
Controles.....	19
Alimentación	20
Radio	20-21
General.....	21

Nederlands	Pagina
Knoppen	22
Stroomvoorziening.....	23
Radio	23-24
Algemeen	24

Dansk	Side
Kontroller	25
Forsyning	26
Radio	26-27
Generelt	27

Svenska	Sida
Kontroller	28
Strömförsörjning	29
Radio	29-30
Allmänt.....	30

Suomi	Sivu
Säätimet	31
Käyttäjännite	32
Radio	32-33
Yleistä	33

D

GB

F

I

P

E

NL



DK

S

FIN

CONTROLS

Top and front panel (the illustration shows: Concert Boy 240)

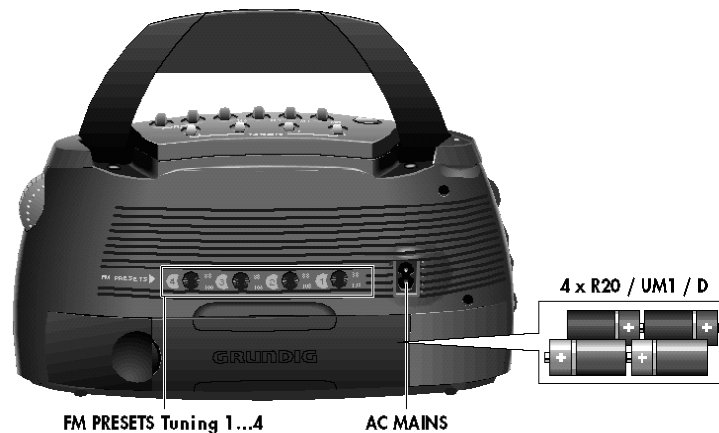
- TONE** – to adjust the tone
-  – you can connect headphones with a 3.5 mm plug to the socket . The loudspeaker is then muted.
- VOLUME** – to adjust the volume
- Antenna** – for FM and SW reception
- ON/OFF** – to switch the unit on and off
- Waveband:**
- FM** – VHF waveband
- Presets** – preset mode
(only for Concert Boy 240)
- Manual** – manual mode
(only for Concert Boy 240)
- SW 2** – Shortwave 2
- SW 1** – Shortwave 1
- MW** – Mediumwave
- LW** – Longwave
- FM PRESETS 1...4** – memory positions for 4 FM stations
(only for Concert Boy 240)
- TUNING** – to tune to a radio station
- Scale** – tuning dial scale



GB

Back panel

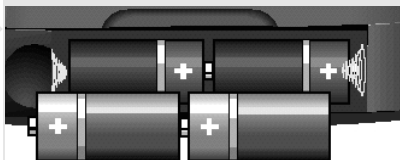
- FM PRESETS**
- Tuning** – controls for presetting 4 FM stations
(only for Concert Boy 240)
- AC MAINS** – Socket for AC mains cable
- Battery compartment** – to insert 4 batteries type R20, UM1 or D



POWER SUPPLY

Battery supply

- Open the battery compartment and insert as shown 4 batteries, type R20, UM1 or D-cells.
- Remove the batteries if exhausted or if they will not be used again for a long period.
- The battery supply is switched off when the set is connected to the mains.
- To change over to battery supply, pull out the plug from the **AC MAINS** socket.



Note on Environmental Protection

Do not throw exhausted batteries in the household refuse.

Hand over the old batteries to your dealer or public collecting points when buying new ones.

Important note for users in the U.K.:

When fitting a mains plug, follow the instructions on page 2.



Mains supply

- Check if the mains voltage as shown on the type plate (on the bottom of the set) corresponds to your local mains voltage. If it does not, consult your dealer or service organisation.
- Connect the mains lead to the **AC MAINS** socket and the wall socket.
- The mains supply is switched on.
- To disconnect the set from the mains completely, withdraw the mains plug from the wall socket.

RADIO

Radio reception

- Switch the radio on and off with the **ON/OFF** button.
 - The red LED on the **ON/OFF** button lights up when the unit is on.
- Select the waveband using one of the waveband selection buttons: **FM (MANUAL or PRESETS** – only for Concert Boy 240), **SW 2, SW 1, MW** or **LW**.
 - When you select one of the wavebands, the previously selected button will be released automatically.
- Tune to a desired radio station using the **TUNING** control.
- Adjust the sound using the **VOLUME** and **TONE** controls.

Radio aerials

- For FM and SW, pull out the telescopic aerial. To improve FM/SW reception, incline and turn the aerial. Reduce its length if the signal is too strong (very close to a transmitter).
- For MW and LW, the set is provided with a built-in aerial, so the telescopic aerial is not needed. Direct the aerial by turning the whole set.

RADIO

Preset tuning (FM only) (only for Concert Boy 240)

In the FM range, it is possible to store 4 FM stations in addition to the manual station selection (with the **TUNING** control).

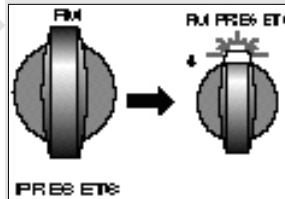
Allocating the FM station memories

- Switch on the radio with the **ON/OFF** button.

- 1 Press the **FM PRESETS** button.
- 2 By pressing one of the buttons **FM PRESETS 1...4** you can select the station memories 1 to 4.
– The LED on the respective button lights up.
- 3 Use the appropriate tuning controls **FM PRESETS Tuning** (at the back of the set) to tune to the required frequencies:
Turning clockwise:
increasing frequency (up to 108 MHz).
Turning anti-clockwise:
decreasing frequency (down to 87.5 MHz).

Selecting Preset stations

- 1 Press the **FM PRESETS** button.
- 2 Select the required station memory by pressing the appropriate button **FM PRESETS 1...4**.
– The LED on the respective button lights up.



GENERAL

Notes

- Only a soft cloth which picks up dust should be used to clean the cabinet.
Do not use aggressive polishes or cleaning agents.
- Do not expose the unit to moisture (e.g. dripping or splashing).
- The type label is on the bottom of the unit.

Technical specifications

Wavebands:

FM	87.5 – 108 MHz
SW 1	6.8 – 18.5 MHz
SW 2	5.8 – 6.4 MHz
MW	526.5 – 1606.5 kHz
LW	148.5 – 283.5 kHz

Power output:2000 mW peak power

The unit meets the CEE regulations concerning interference radiation.

This product fulfills European directives 89/336/EEC, 73/23/EEC and 93/68/EEC.

This set complies with the safety regulations according to VDE 0860 / BS 415 and thus with the international safety regulations according to IEC 65.

Subject to technical alterations and alterations in styling. E & O.E.

GB