

VC
220MHz
799.990

380,000
~ 459.995 MHz

300,000
~ 379.995 MHz

460,000
~ 520.000 MHz

160,000
~ 219.995 MHz

140,000
~ 179.995 MHz

108,000
~ 139.995 MHz

68,000
~ 87.995 MHz

68,000
~ 107.995 MHz

50,000
~ 67.995 MHz

34,000
~ 49.995 MHz

26,000
~ 33.995 MHz

CH9 CH10 CH11 CH12

TB IN 13.6V

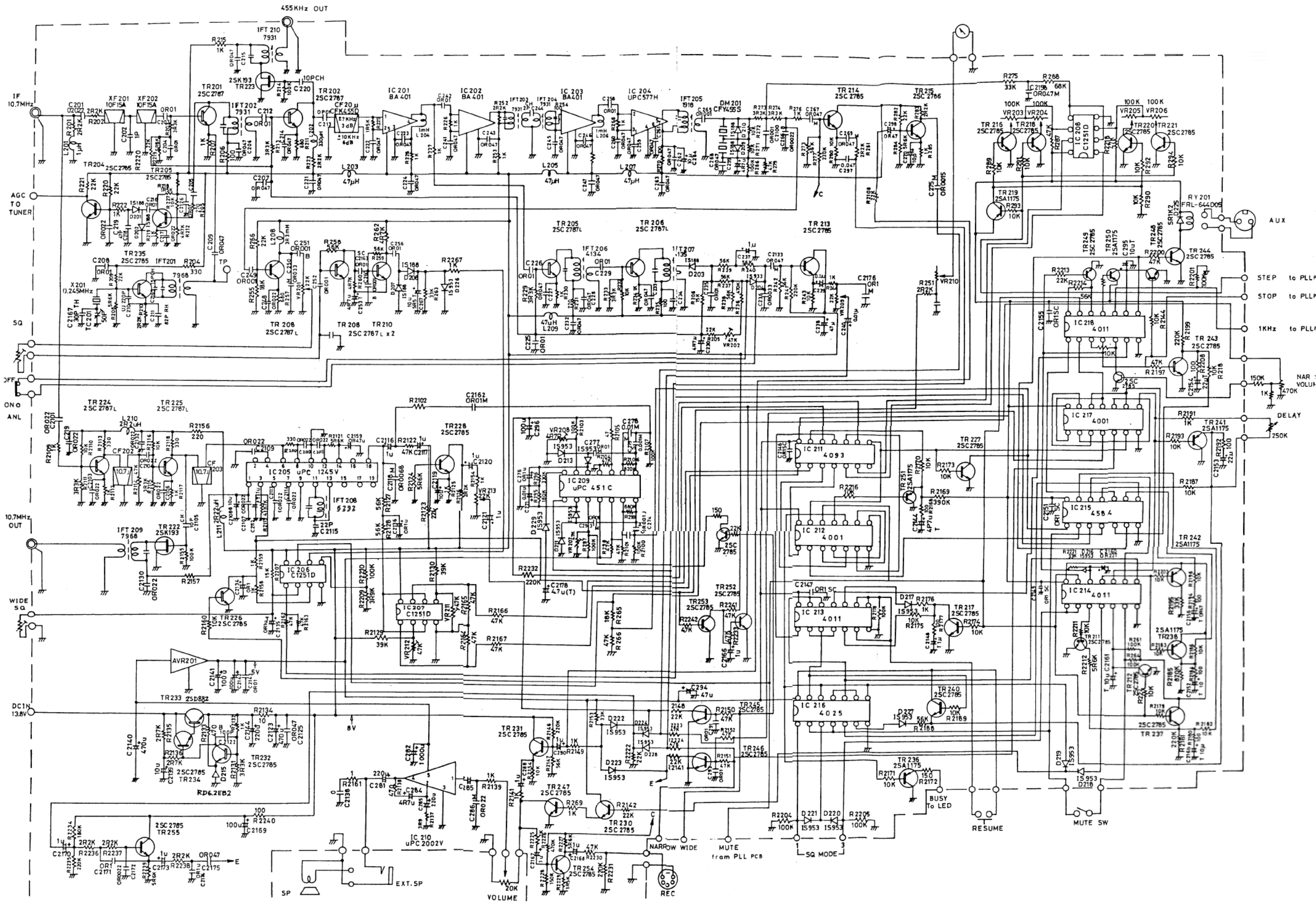
IF OUT

LOCAL OSC2

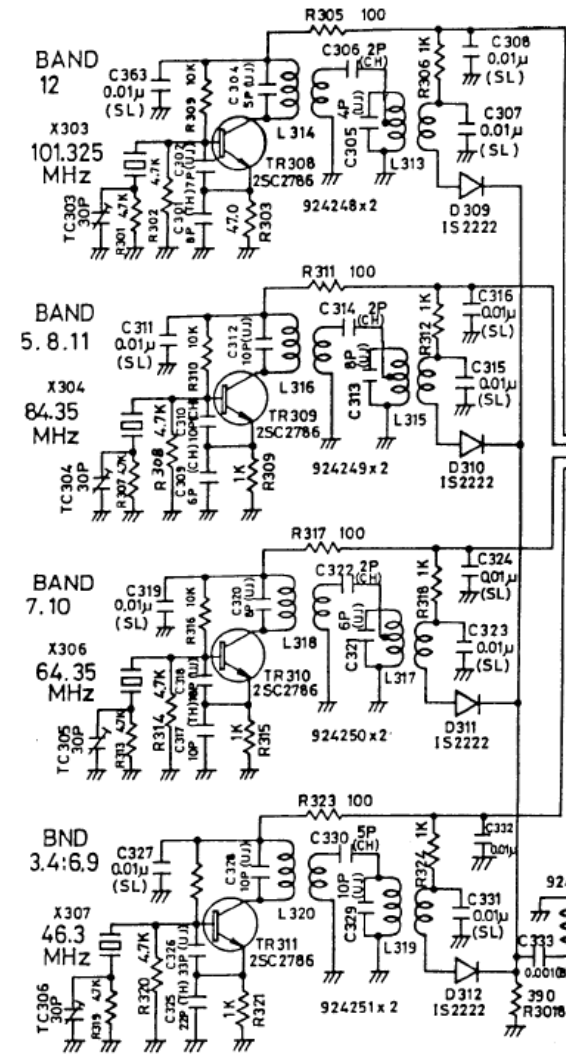
LOCAL OSC1 VC

CH4 CH6 CH7 CH8 CH5 CH3 CH2 CH1

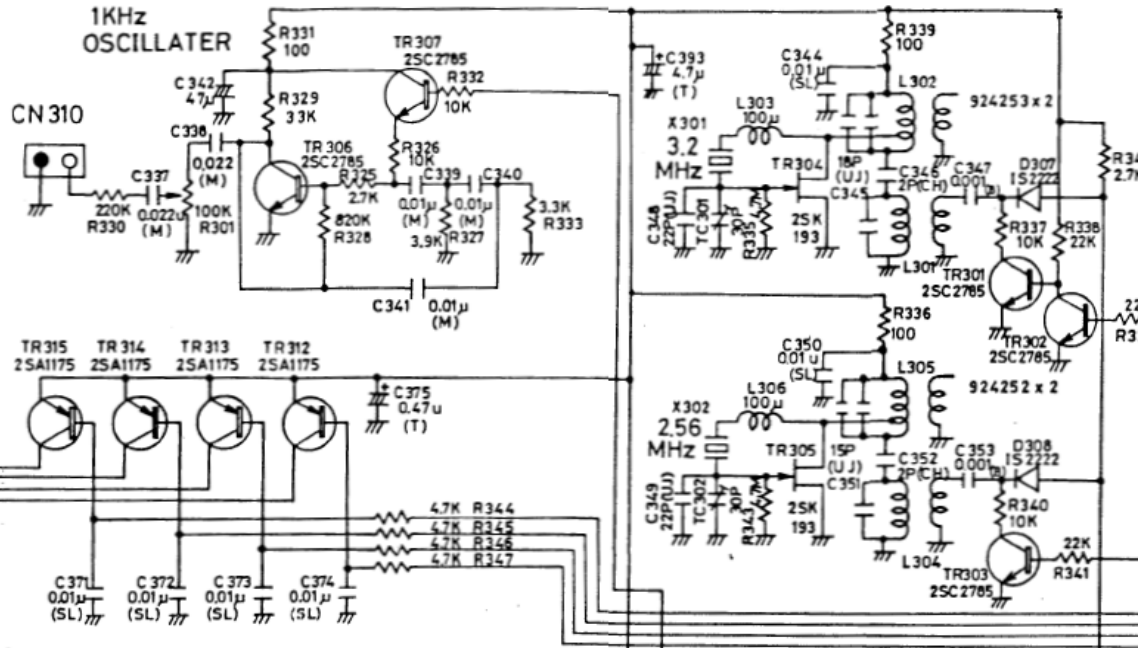
IF Processing



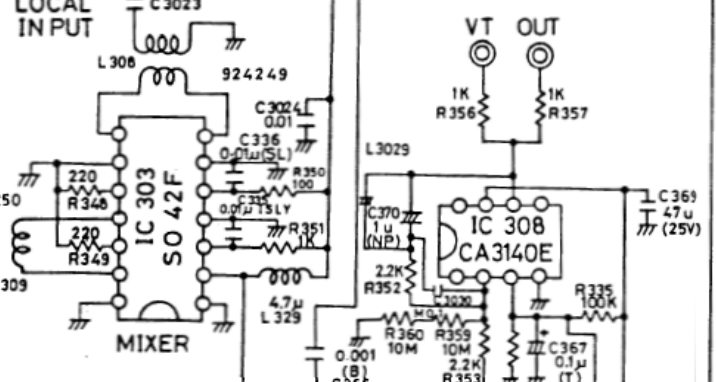
PLL-LOCAL OSCILLATORS



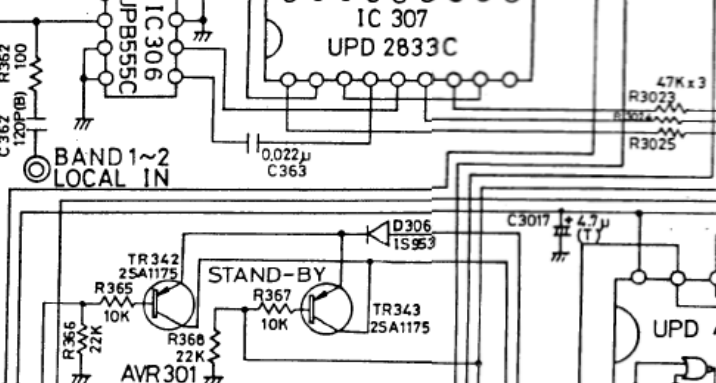
1KHz OSCILLATOR



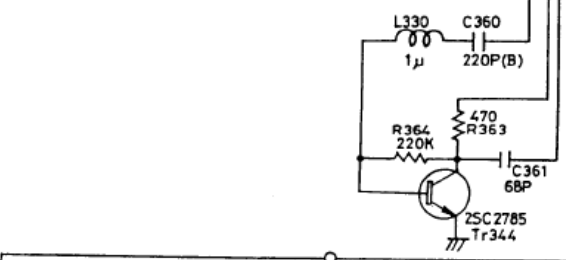
BAND 3~12 LOCAL INPUT



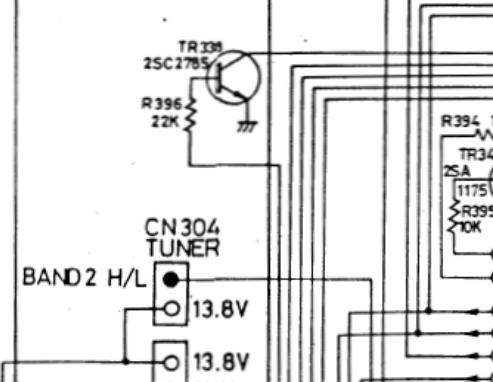
BAND 1~2 LOCAL IN



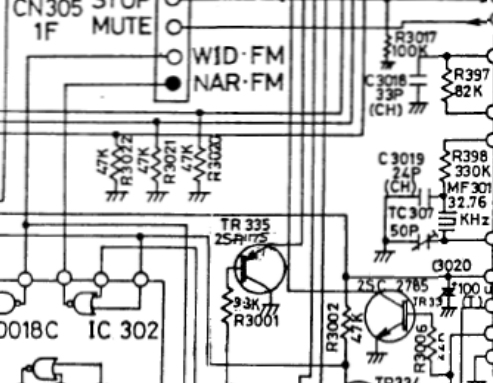
LOW-PASS FILTER



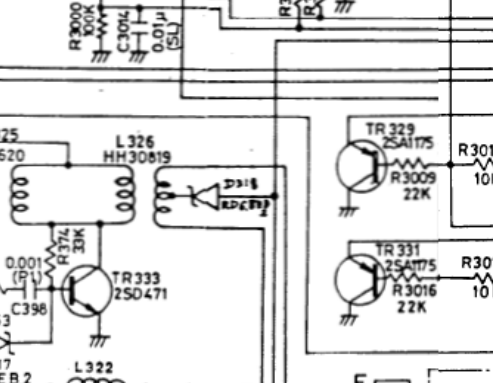
MIXER



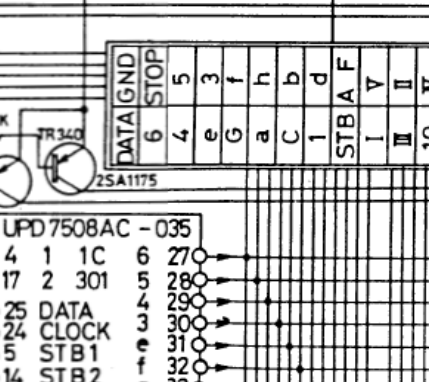
BAND 2 H/L



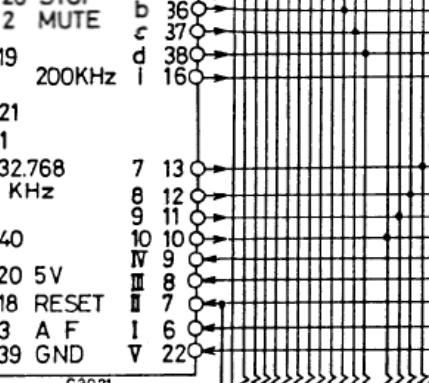
STAND-BY



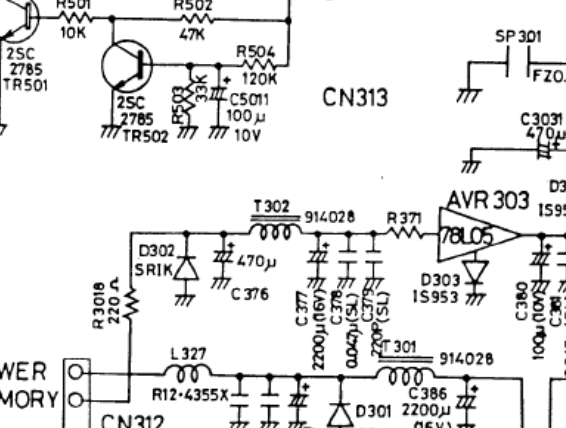
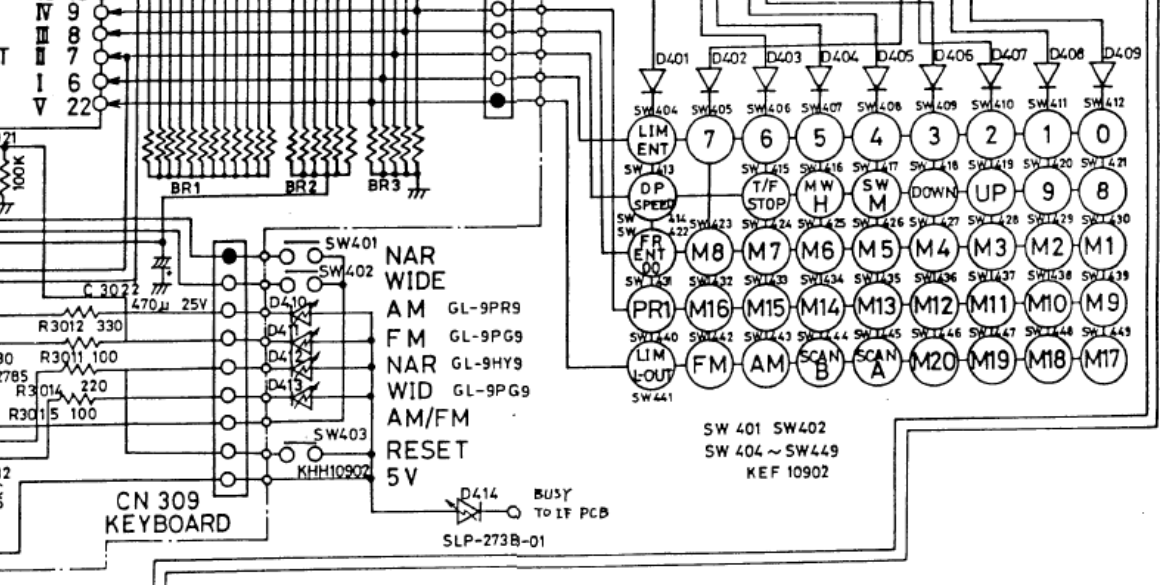
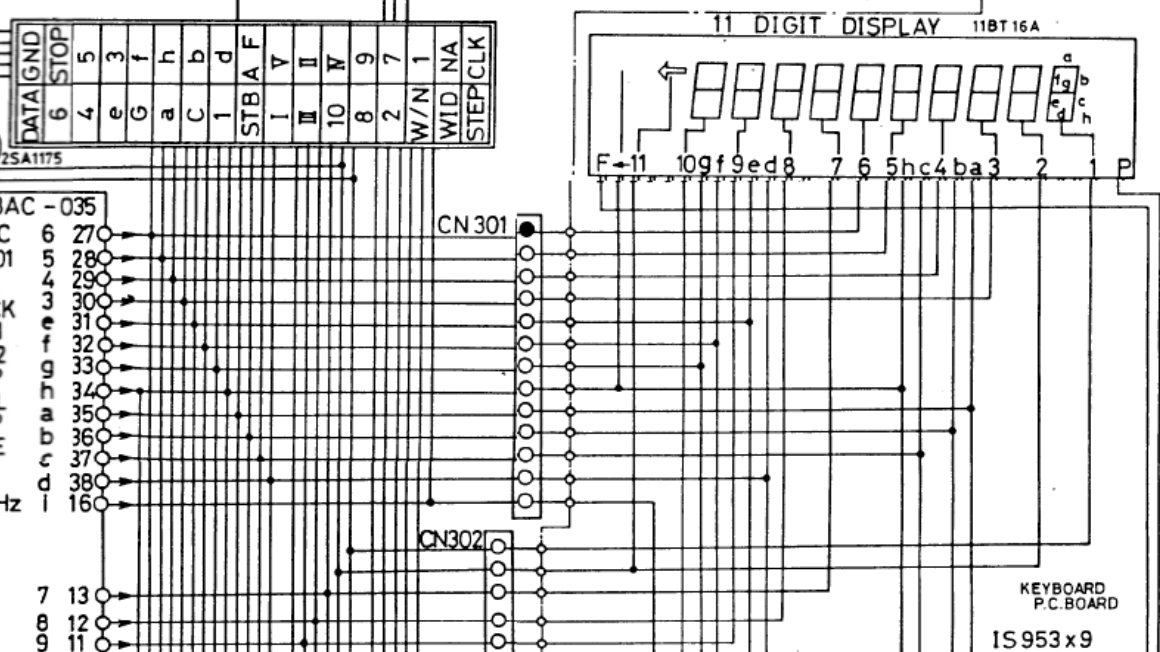
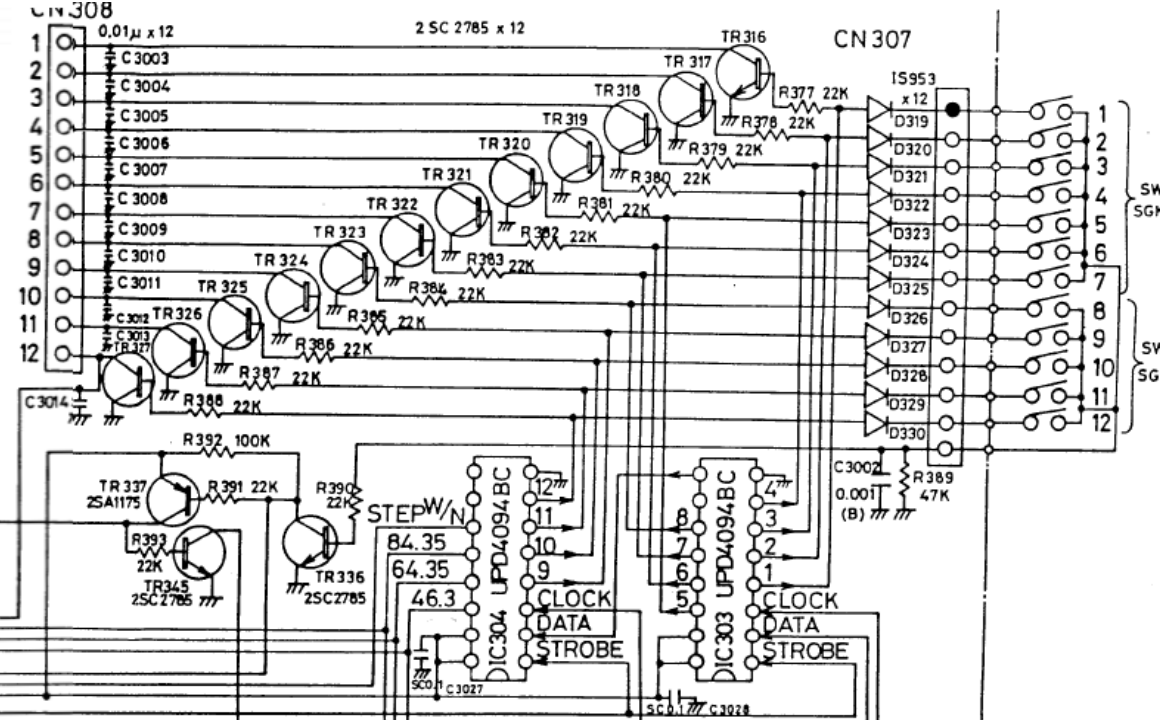
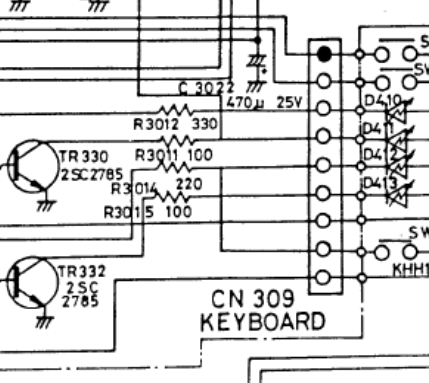
BAND 2 TUNER



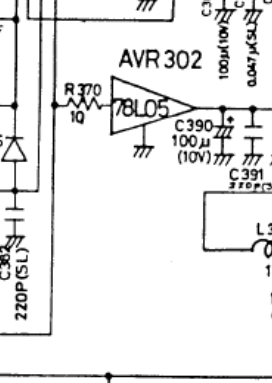
STEP W N



STOP MUTE



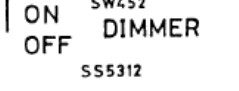
POWER MEMORY



METER LAMP



CN 309 KEYBOARD



ON DIMMER

