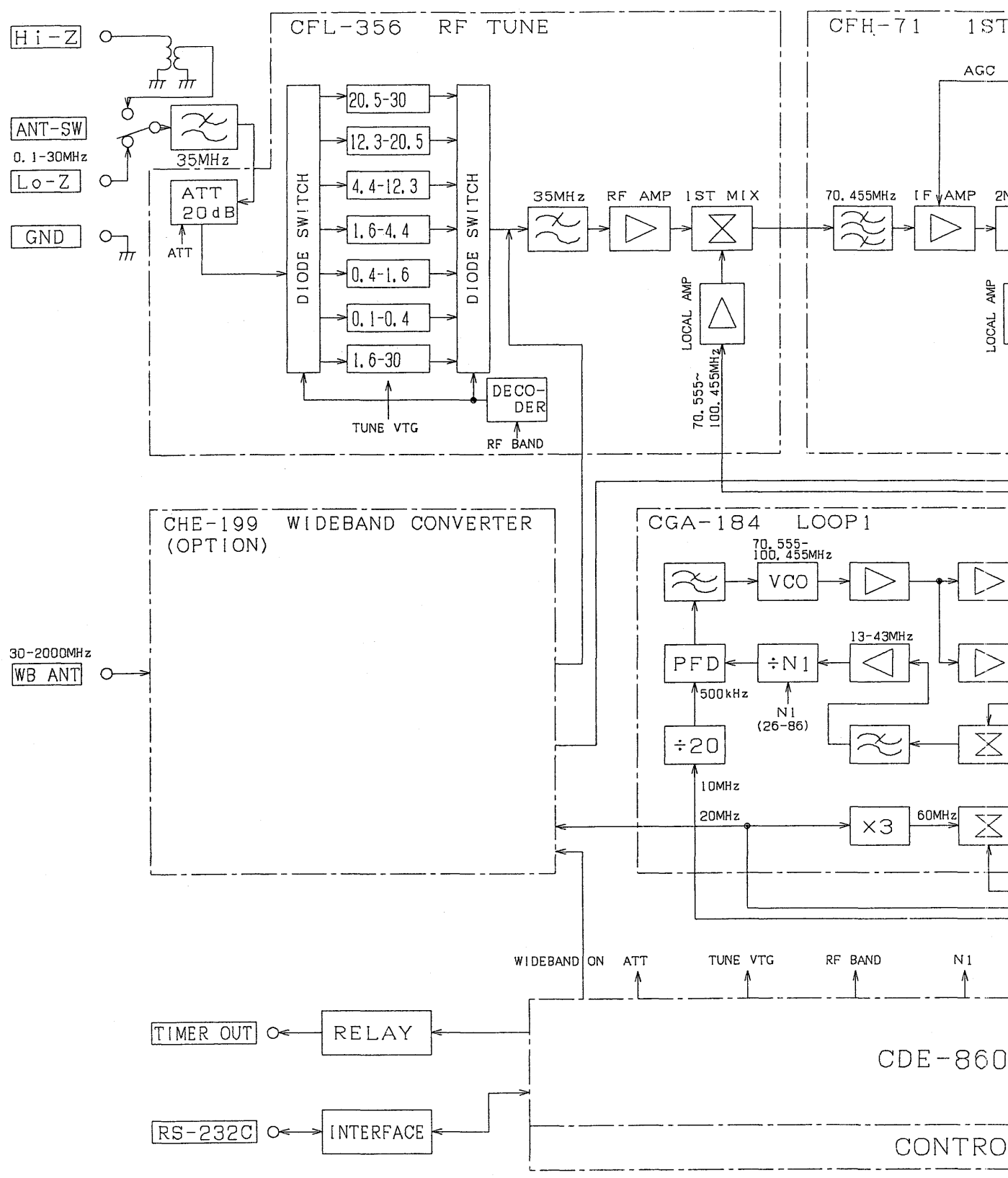
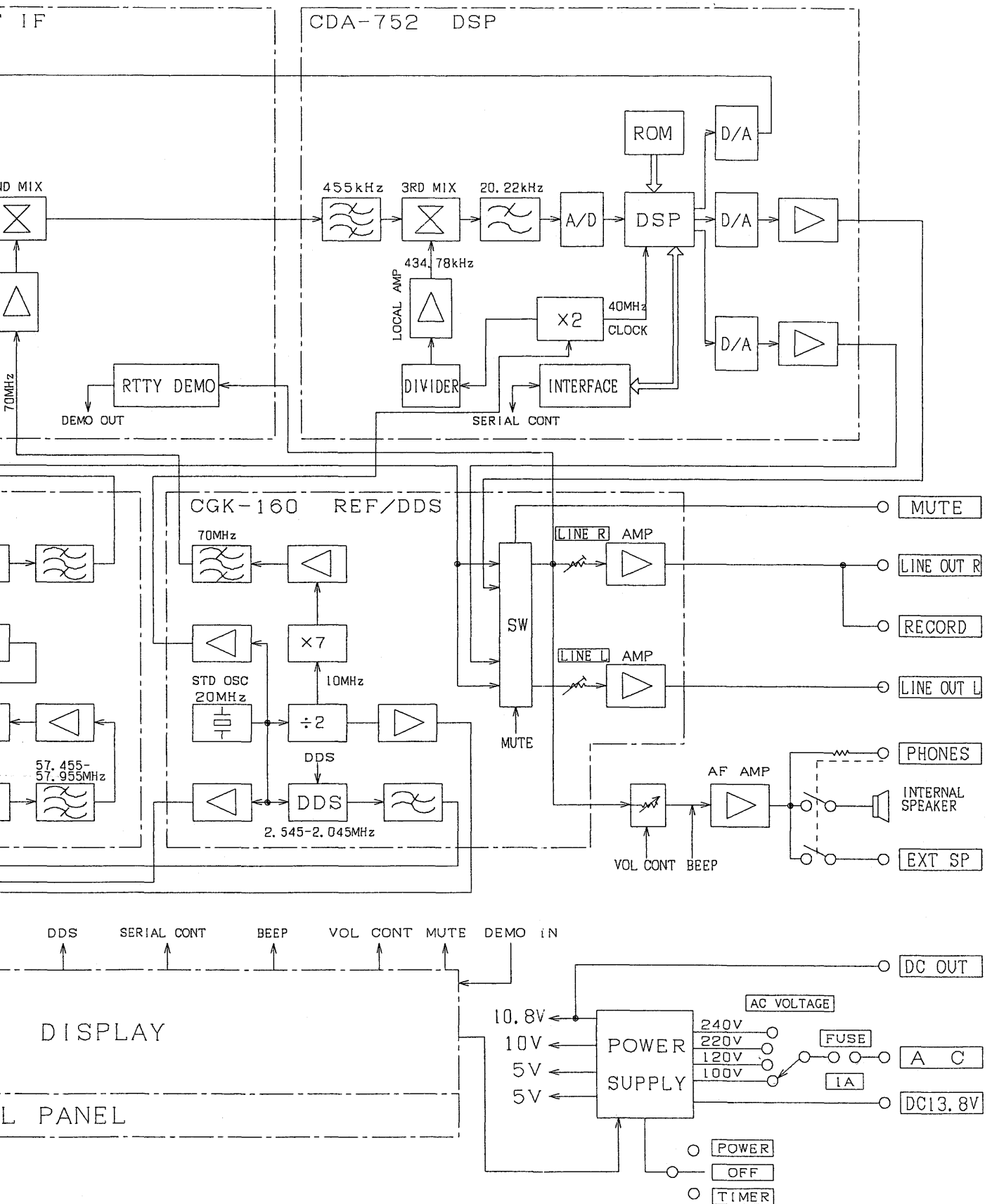


MODEL NRD-545

Circuit schema

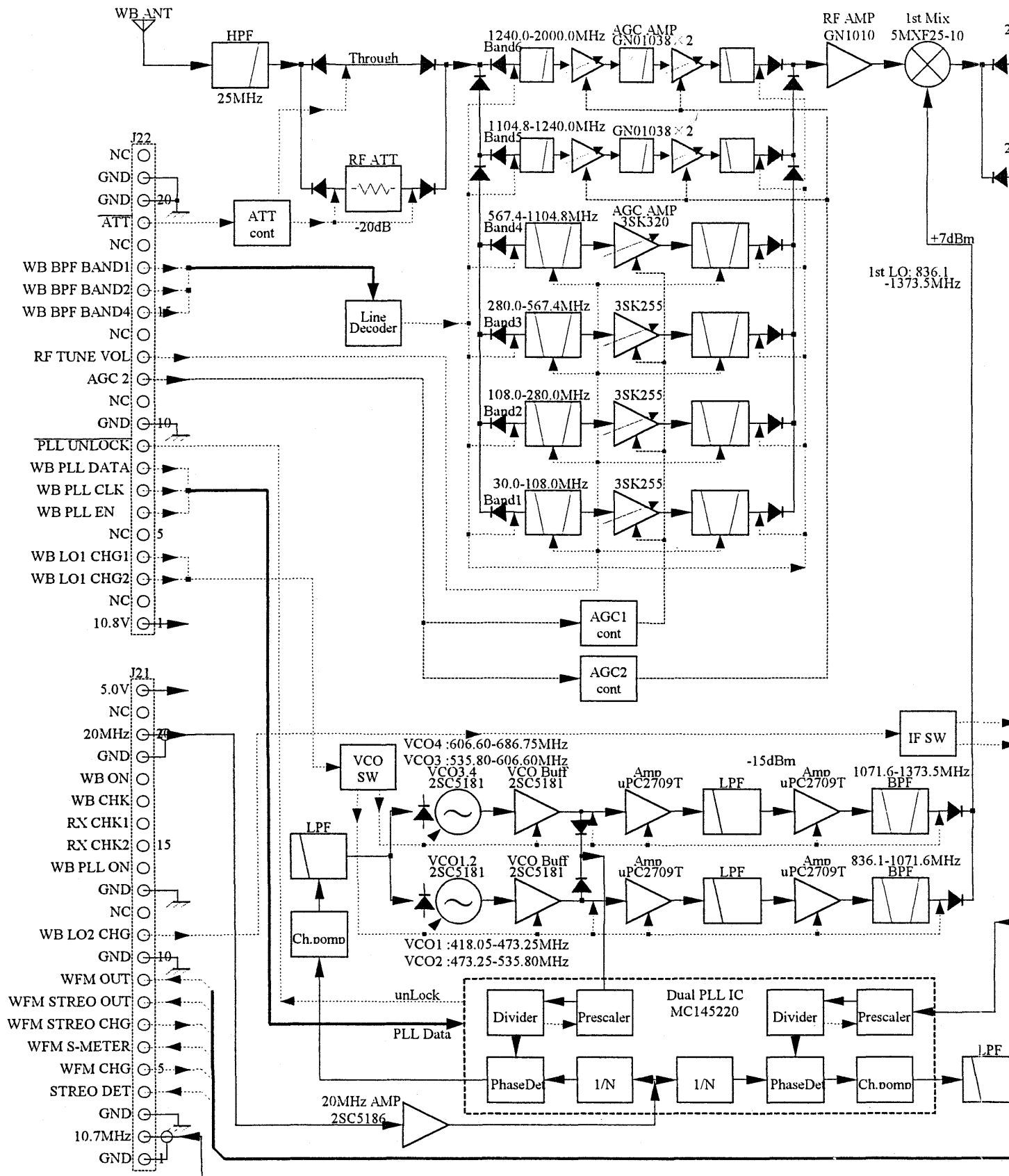
5. BLOCK DIAGRAM



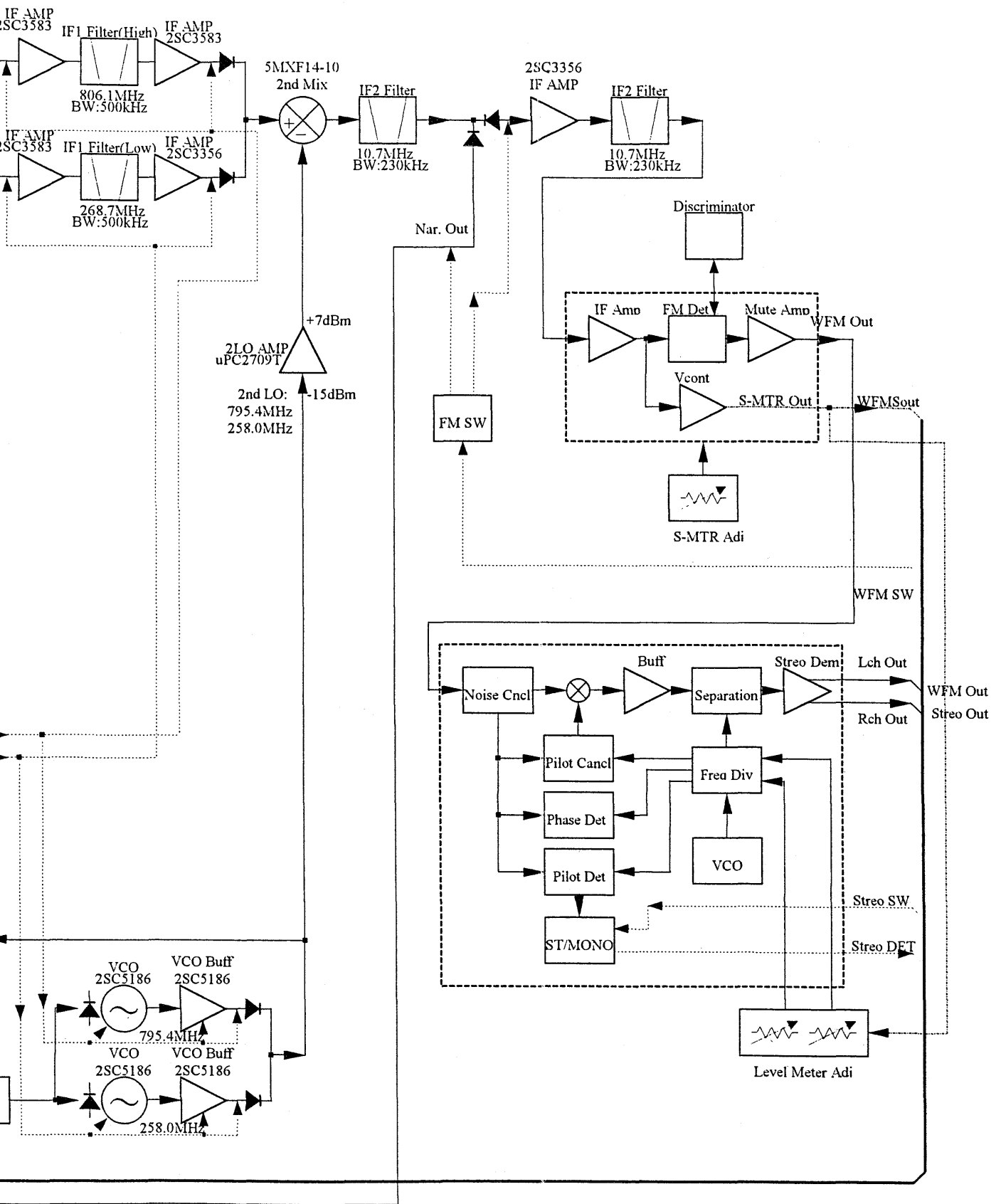


NRD-545 DSP RECEIVER
BLOCKDIAGRAM

CHE-199 Wideband Conv

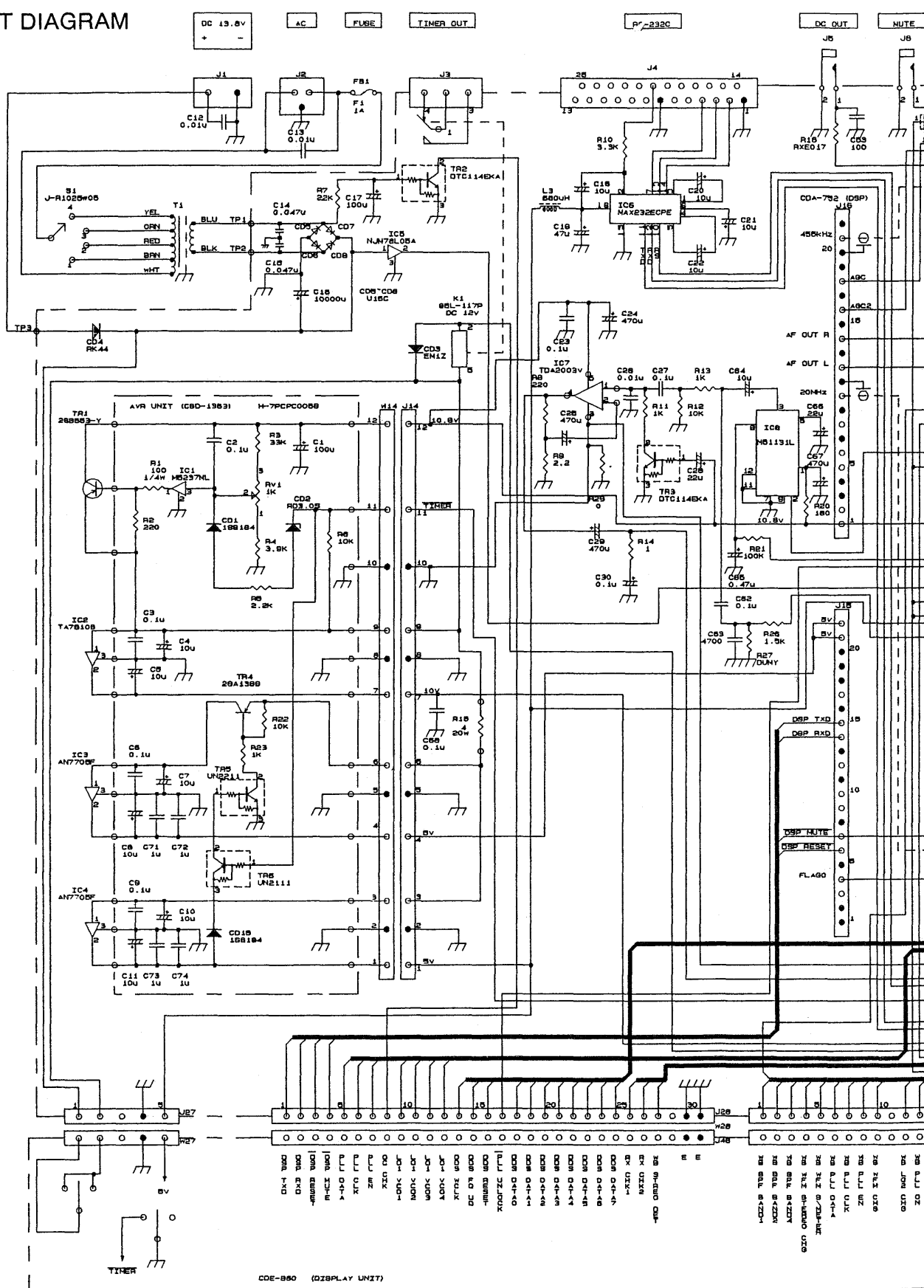


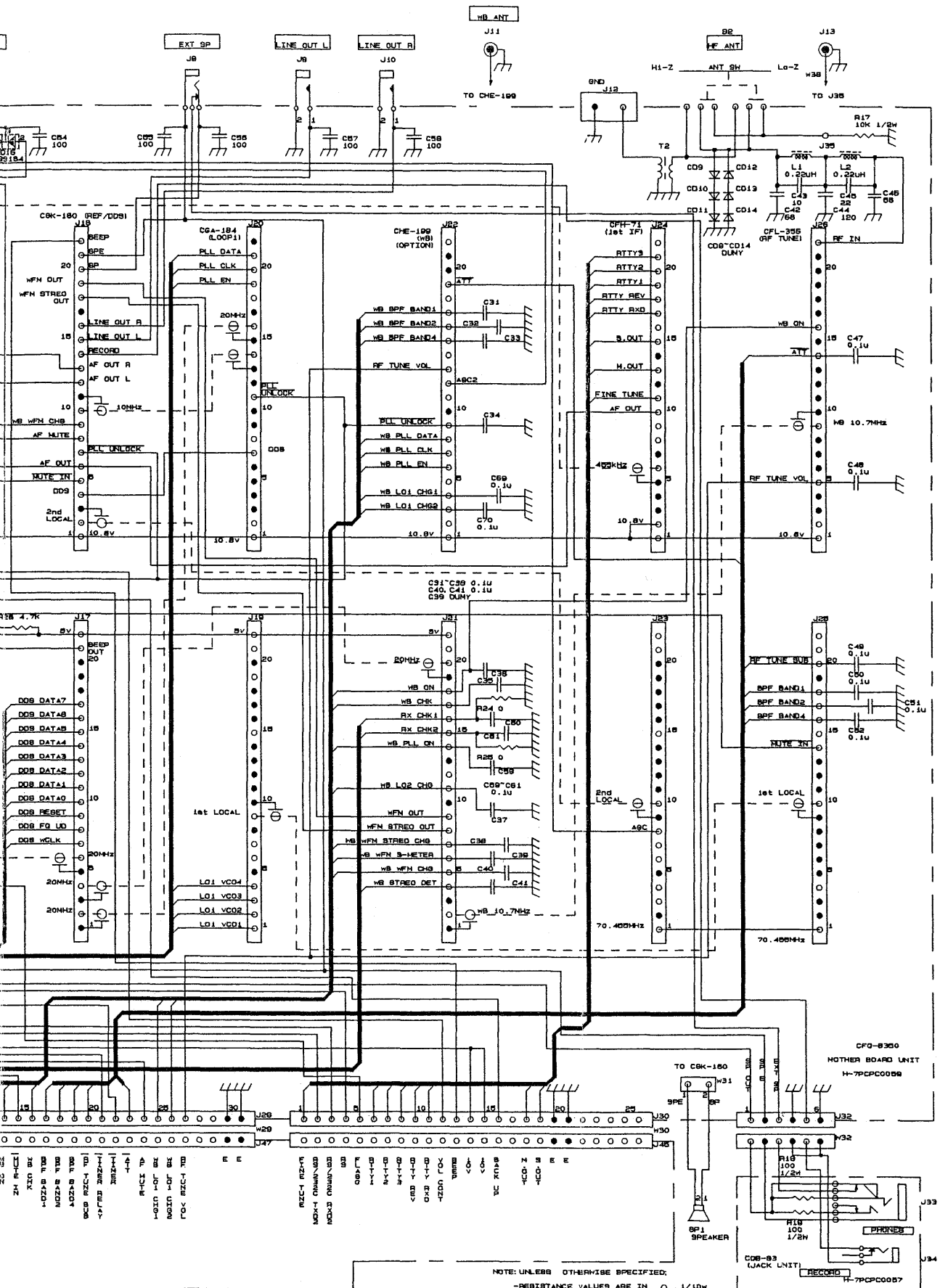
Converter Unit Blockdiagram



9. CIRCUIT DIAGRAM AND PCBLAYOUT

9-1 CIRCUIT DIAGRAM

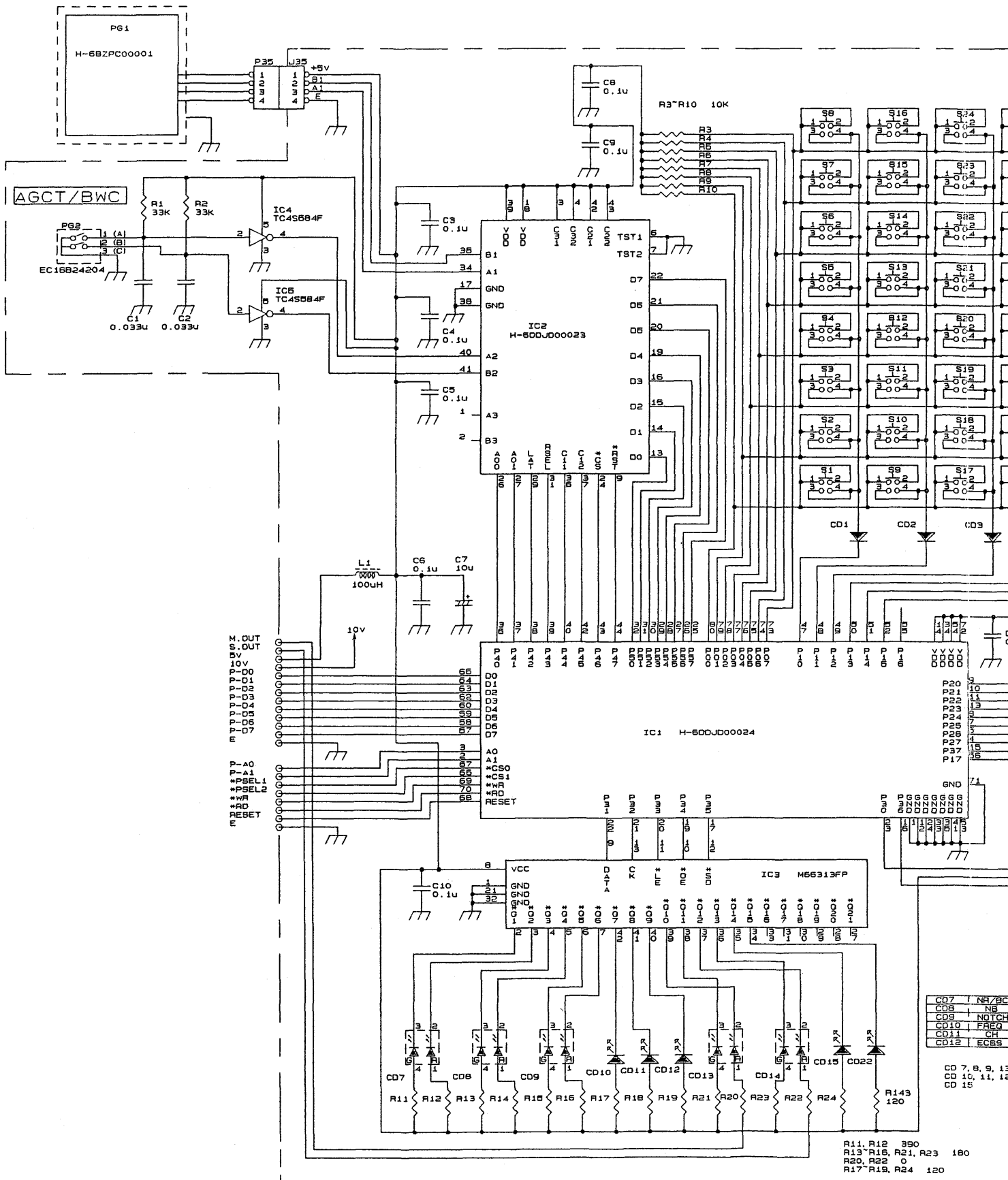




NOTE: UNLESS OTHERWISE SPECIFIED:
 -RESISTANCE VALUES ARE IN Ω , 1/10W
 -CAPACITANCE VALUES ARE IN pF.

CFQ-8350

MOTHER BOARD UNIT



M. OUT
 S. OUT
 10V
 P-D0
 P-D1
 P-D2
 P-D3
 P-D4
 P-D5
 P-D6
 P-D7
 E

 P-A0
 P-A1
 *PSEL1
 *PSEL2
 *NR
 *RD
 RESET
 E

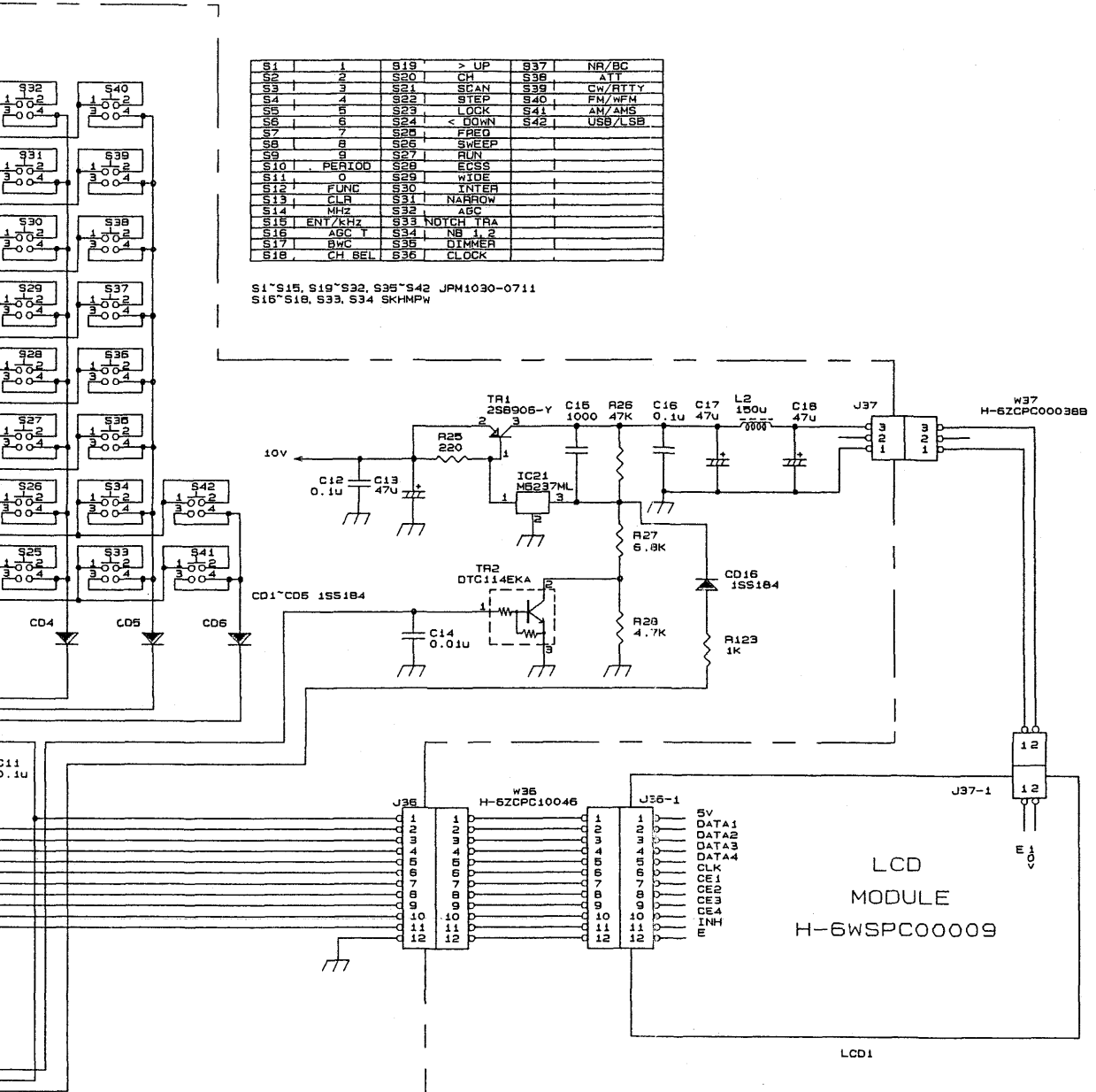
CD7 NR/BC
 CD8 NB
 CD9 NG/CH
 CD10 FREQ
 CD11 CH
 CD12 EC69

 CD 7, 8, 9, 13
 CD 10, 11, 14
 CD 15

R11, R12 390
 R13~R16, R21, R23 180
 R20, R22 0
 R17~R19, R24 120

S1	1	S19	> UP	S37	NR/BC
S2	2	S20	CH	S38	ATT
S3	3	S21	SCAN	S39	CW/RITTY
S4	4	S22	STEP	S40	FM/WFM
S5	5	S23	LOCK	S41	AM/AMS
S6	6	S24	< DOWN	S42	USB/LSB
S7	7	S25	FREQ		
S8	8	S26	SWEEP		
S9	9	S27	RLN		
S10	PERIOD	S28	ECSS		
S11	0	S29	WIDE		
S12	FUNC	S30	INTER		
S13	CLR	S31	NARROW		
S14	MHZ	S32	ABC		
S15	ENT/KHZ	S33	NOTCH TRA		
S16	AGC T	S34	NB 1, 2		
S17	BWC	S35	DIMMER		
S18	CH SEL	S36	CLOCK		

S1~S15, S19~S32, S35~S42 JPM1030-0711
 S16~S18, S33, S34 SKHMPH



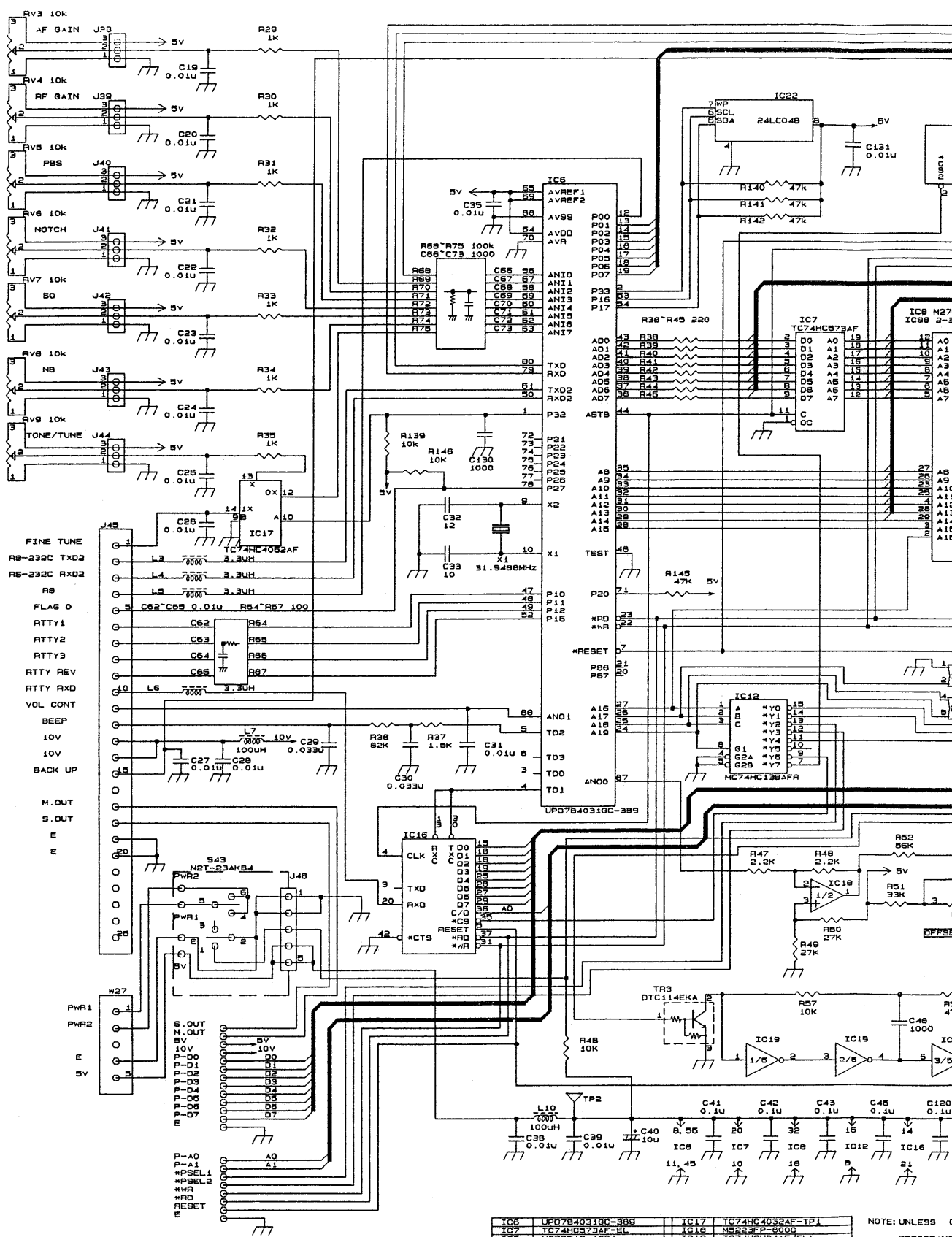
NOTE: UNLESS OTHERWISE SPECIFIED;
 -RESISTANCE VALUES ARE IN Ω, .1/10W
 -CAPACITANCE VALUES ARE IN pF.

CD13	AGCT
CD14	BWC
CD15	LOCK
CD22	SG

IC1	H-6DDJ000024
IC2	H-6DDJ000023
IC3	M55315FP
IC4	TC45584F-TE85L
IC5	TC45584F-TE85L
IC21	M5237ML

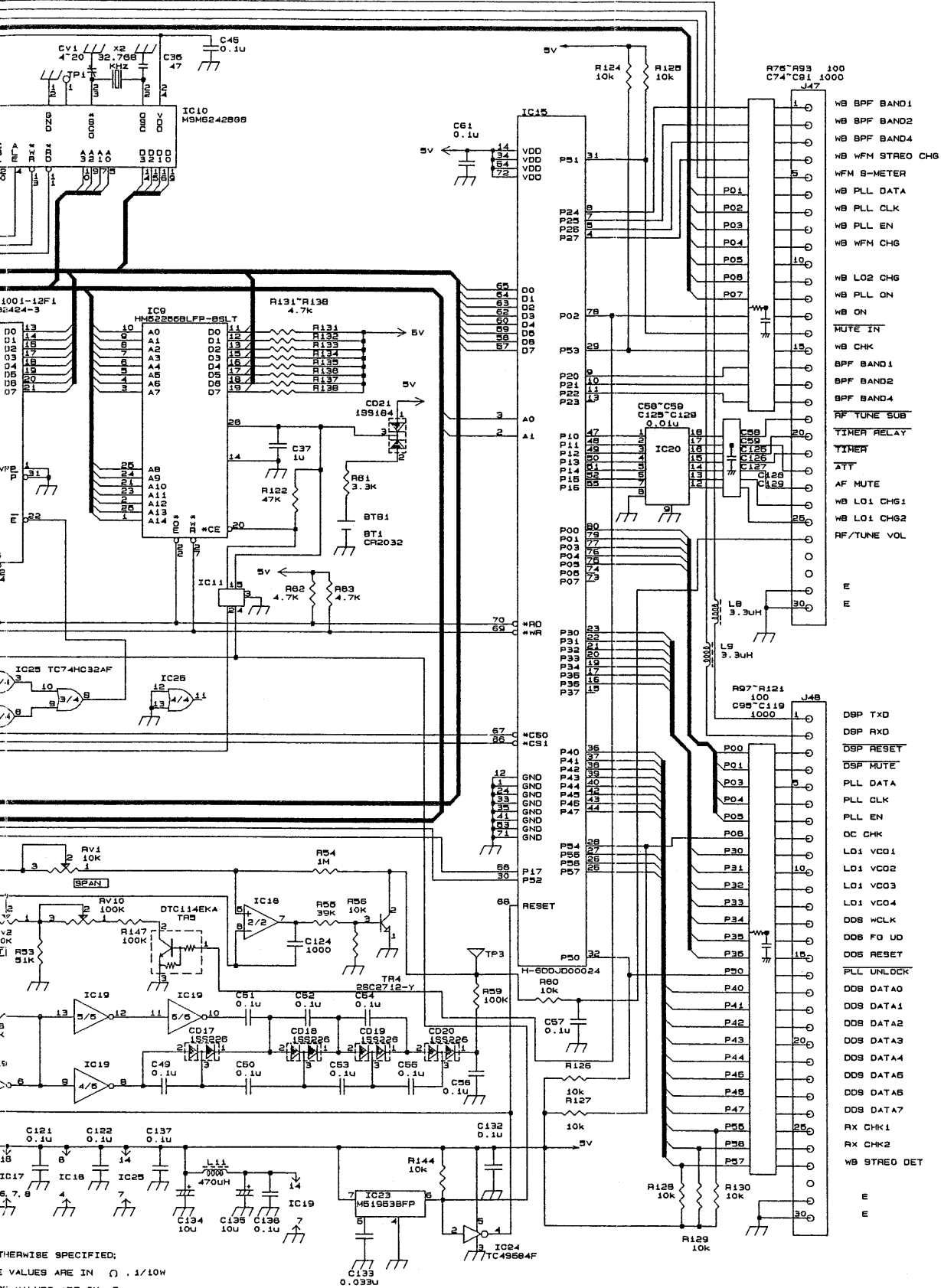
1, 14 LN2162C13 (GREEN, RED)
 2, 22 LN1361C (GREEN)
 LN1261C (RED)

PC1 H-7PCPC0056



IC6	UPO7B40316C-389	IC17	TC74HC4032AF-TP1
IC7	TC74HC373AF-EL	IC18	M5223FP-800C
IC8	M27C512-12F1	IC19	TC74HC04AF (EL)
IC9	HMC2255BFP-B5LT	IC20	10K303F
IC10	MSM6242559	IC22	24LC04B-T-5N
IC11	TC4566F	IC23	M519539FP
IC12	MC74HC138AFR	IC24	TC4558AF-TE86L
IC13	H-60J000024	IC25	TC74HC32AF
IC16	UPD710516B-3B4		

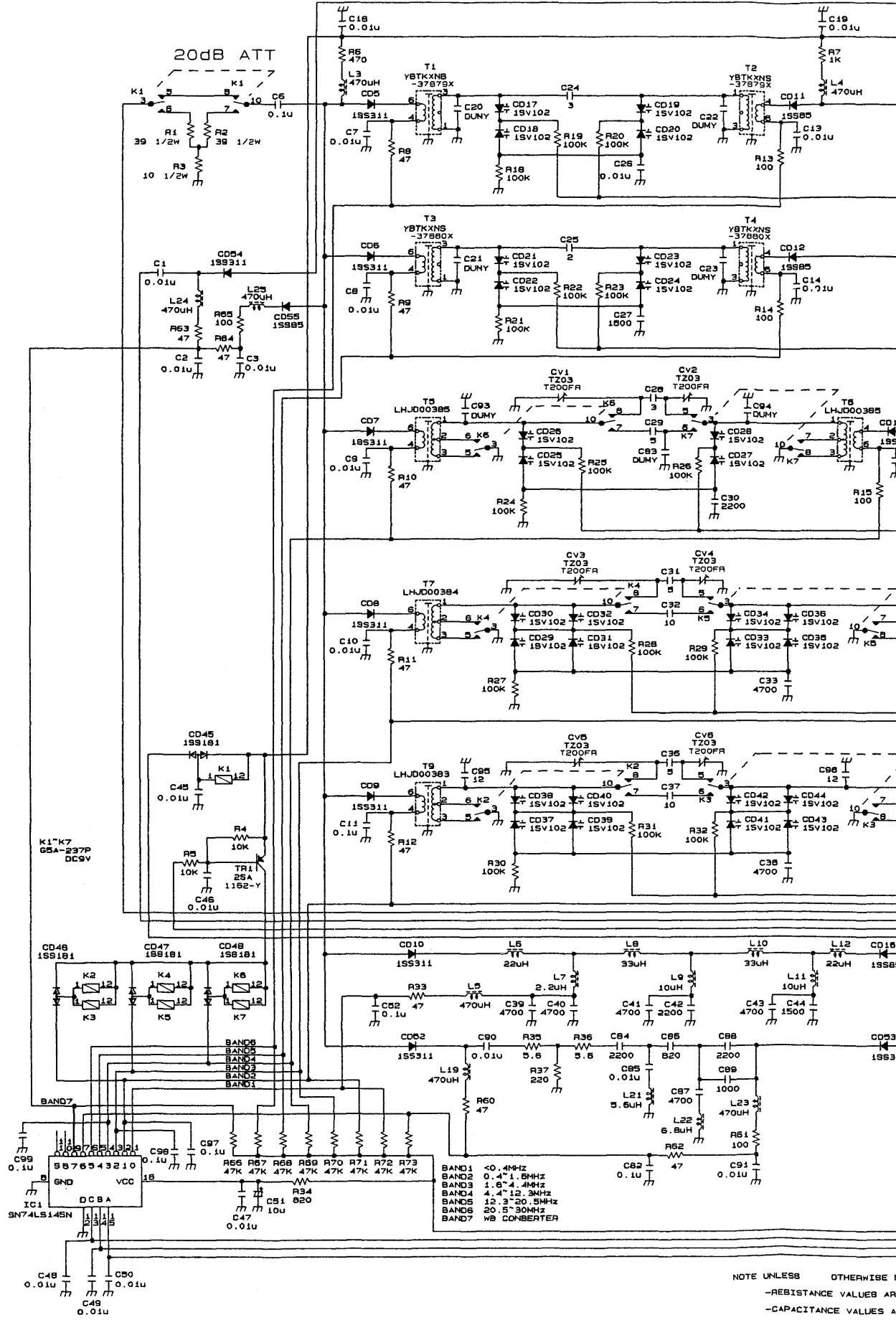
NOTE: UNLESS OTHERWISE SPECIFIED
 -RESISTANCE IN OHMS
 -CAPACITANCE IN PICO FARADS
 PC1 H-7PCC005



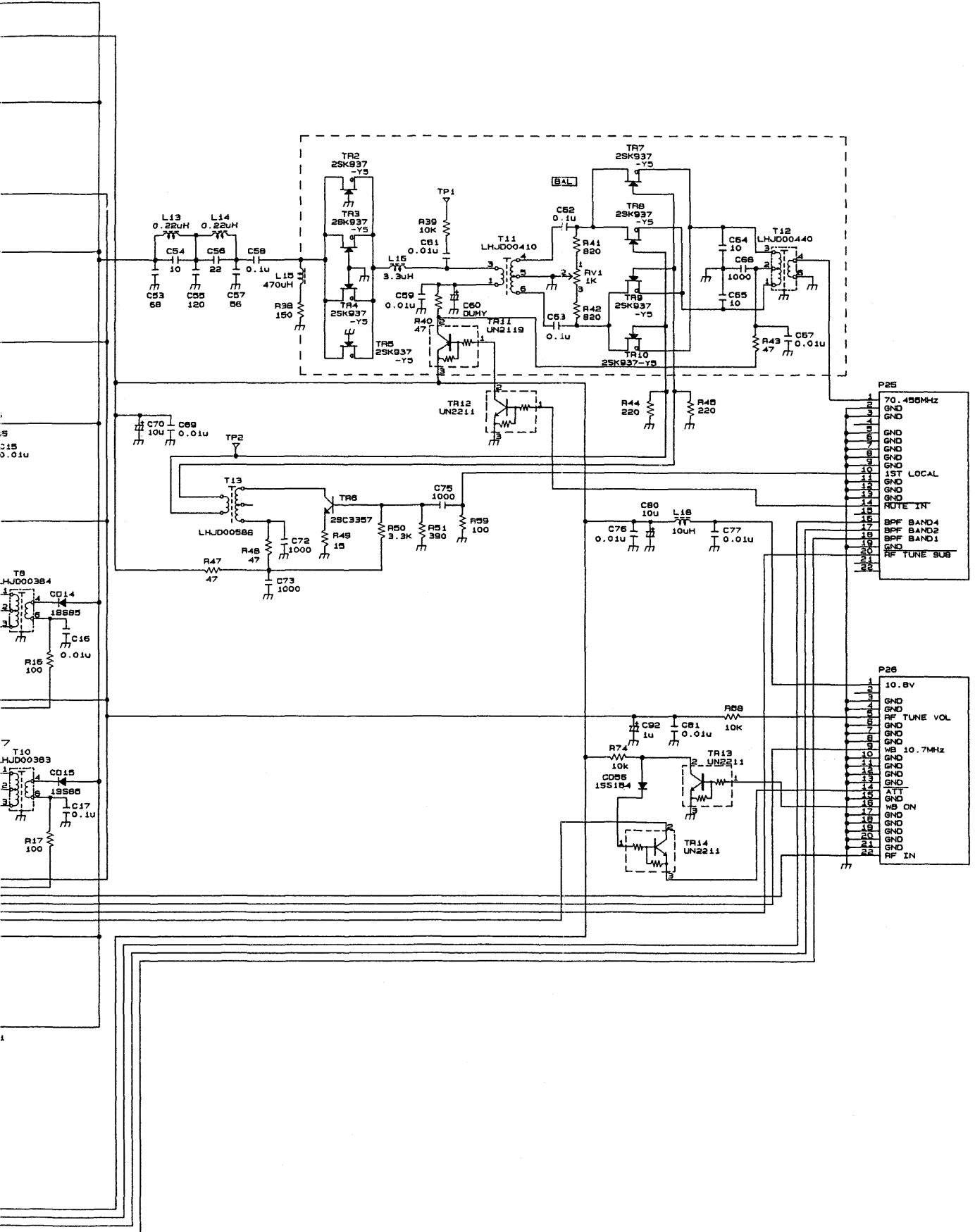
UNLESS OTHERWISE SPECIFIED:
RESISTOR VALUES ARE IN Ω , $1/10W$
CAPACITOR VALUES ARE IN PF.

CDE-860

DISPLAY UNIT (2/2)



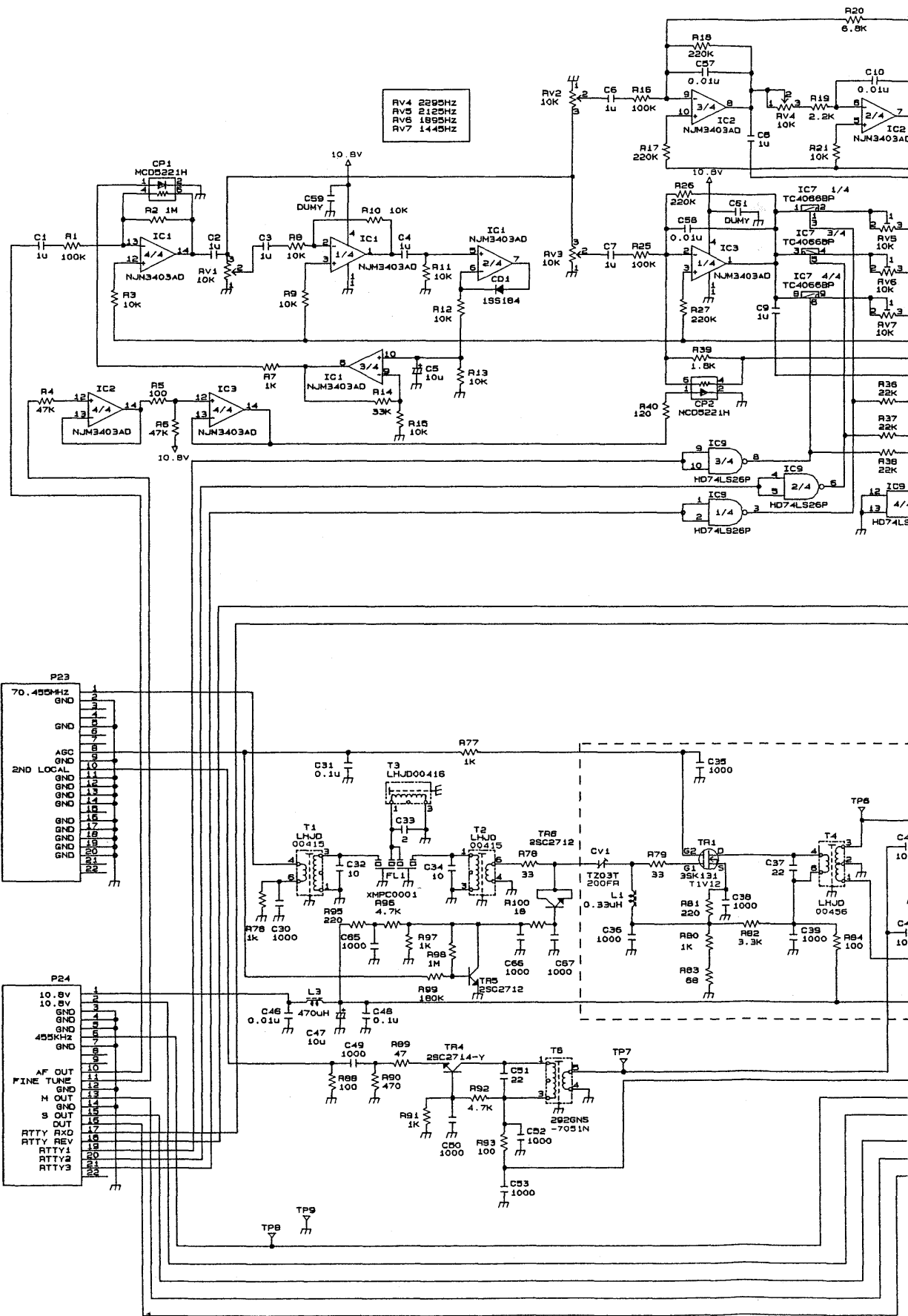
NOTE UNLESS OTHERWISE SPECIFIED
 -RESISTANCE VALUES ARE IN OHMS
 -CAPACITANCE VALUES ARE IN P.F.



SPECIFIED
 IN Ω 1/10W
 E IN dB

CFL-356

RF TUNE UNIT



RV4 2295HZ
RV5 2125HZ
RV6 1895HZ
RV7 1445HZ

P23
70.455MHz
GND
GND
AGC
GND
2ND LOCAL
GND
GND
GND
GND
GND
GND
GND
GND
GND
GND

P24
10.8V
10.8V
GND
GND
455KHz
GND
AF OUT
FINE TUNE
GND
H OUT
GND
S OUT
GND
RTTY AXD
RTTY1
RTTY2
RTTY3
GND
GND

10.8V

10.8V

10.8V

0.1u

1000

1k 1000

1000

100

1000

100

1000

100

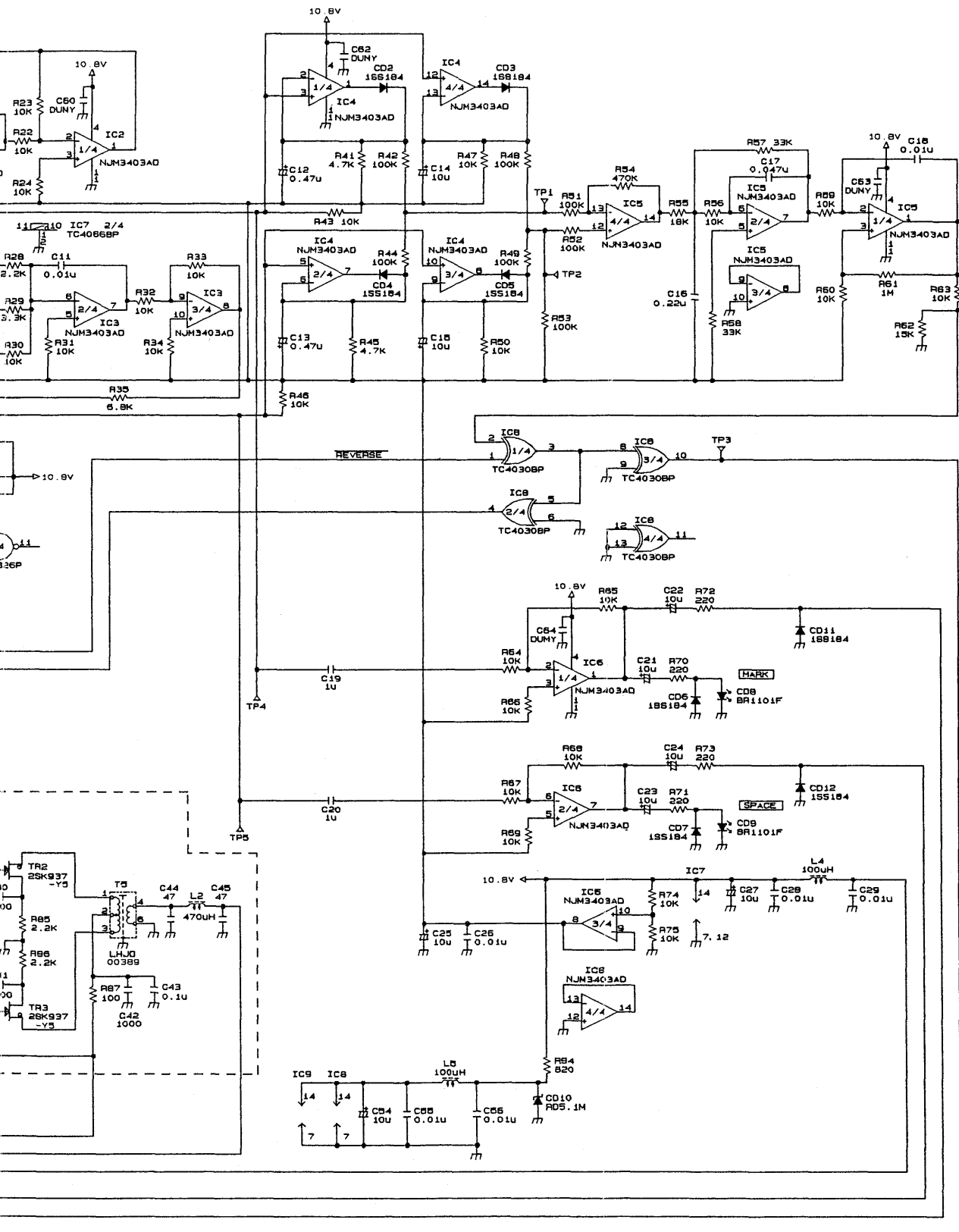
1000

100

1000

100

1000



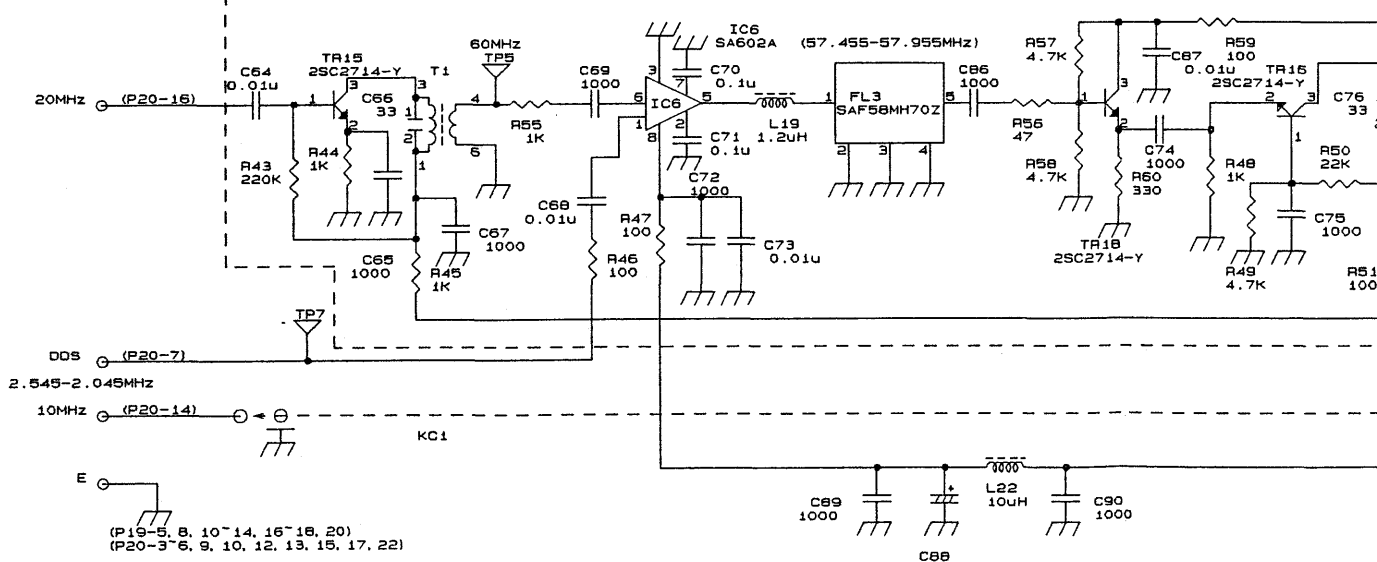
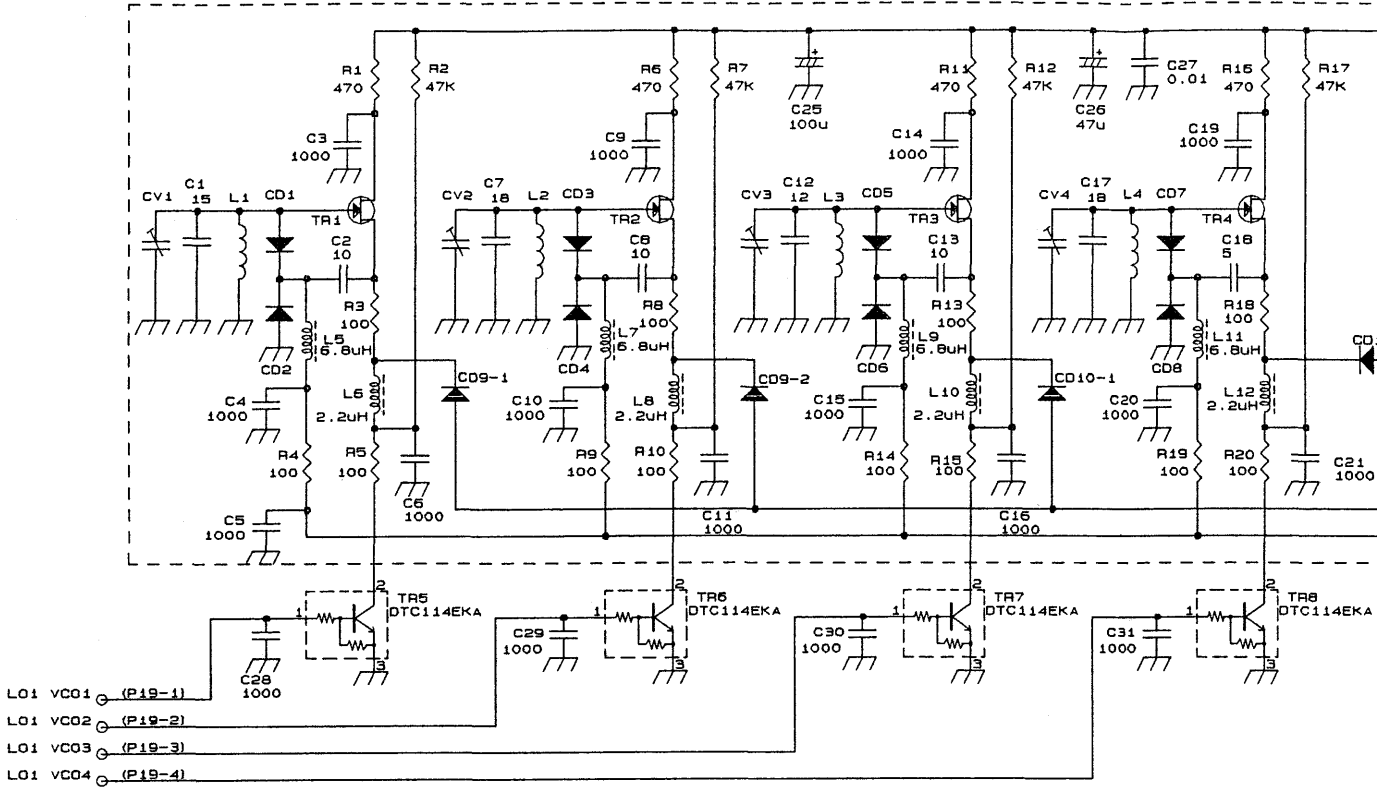
NOTE: UNLESS OTHERWISE SPECIFIED
 -RESISTANCE VALUES ARE IN Ω 1/10W
 -CAPACITANCE VALUES ARE IN pF

PC1 H-7PCPC0051

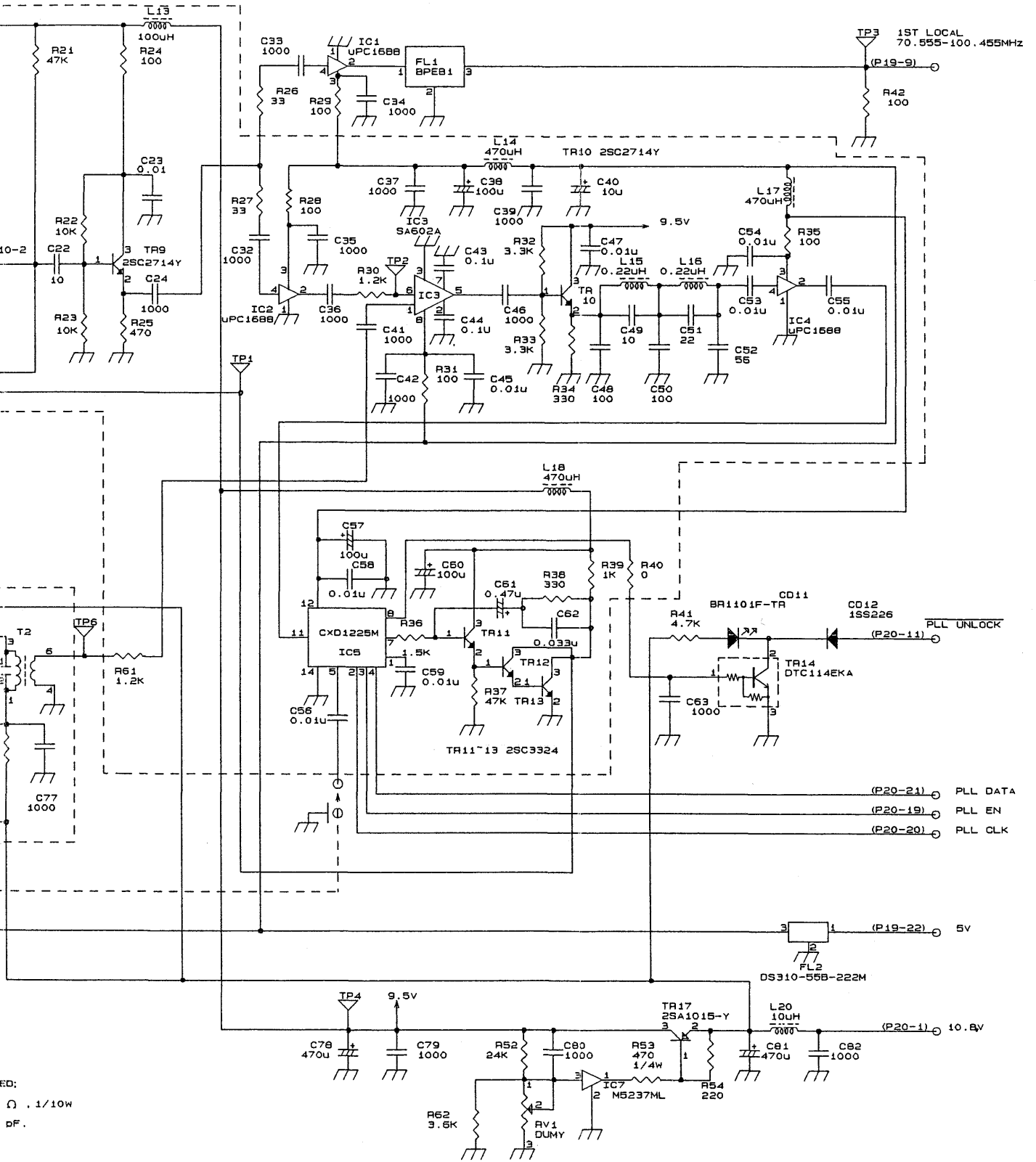
CFH-71

1ST IF UNIT

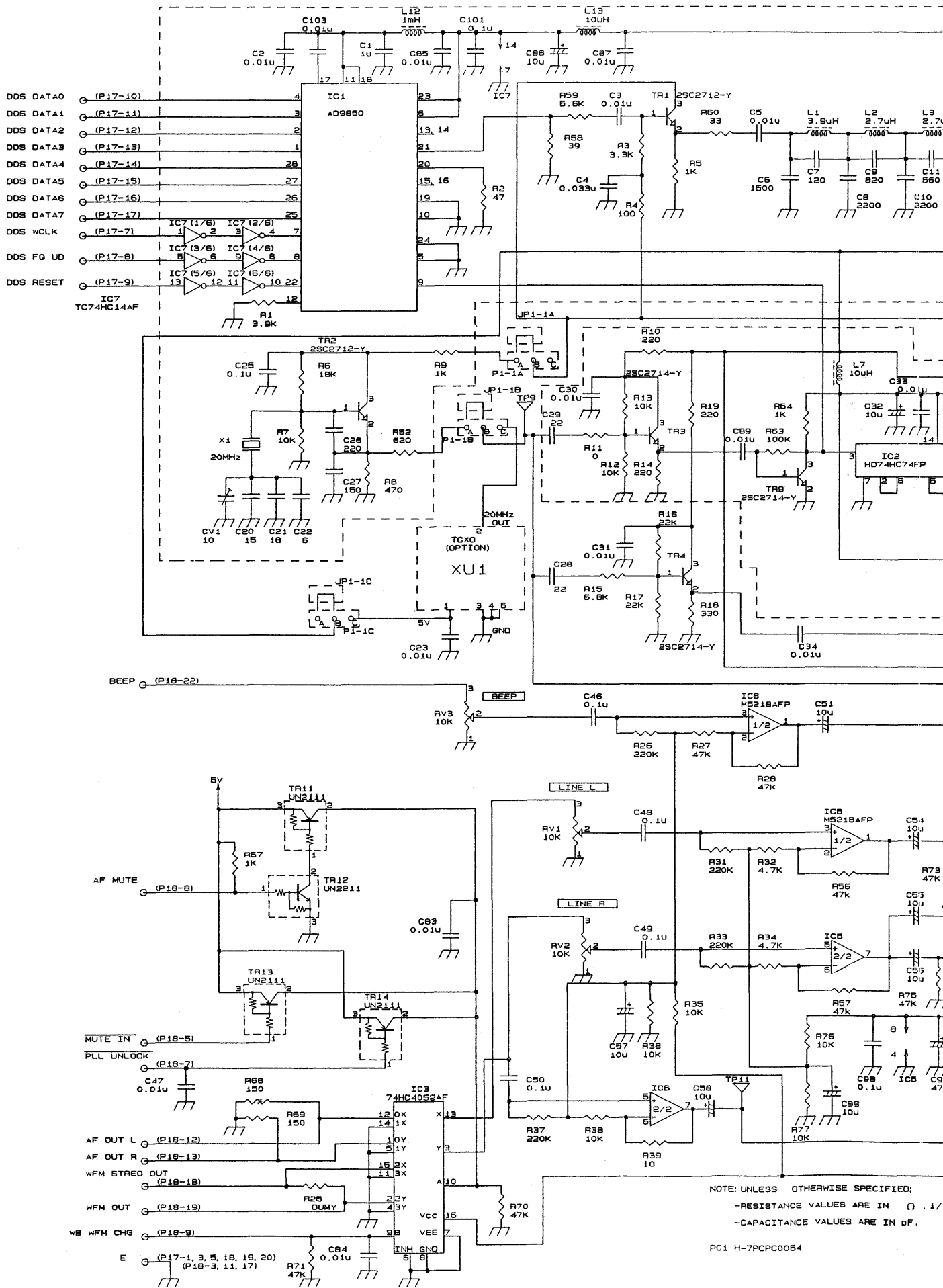
CD1~CD8 MA366
 CD9~CD10 HSM2694
 CV1~CV4 TZO3Z100FR
 TR1~TR4 2SK210BL

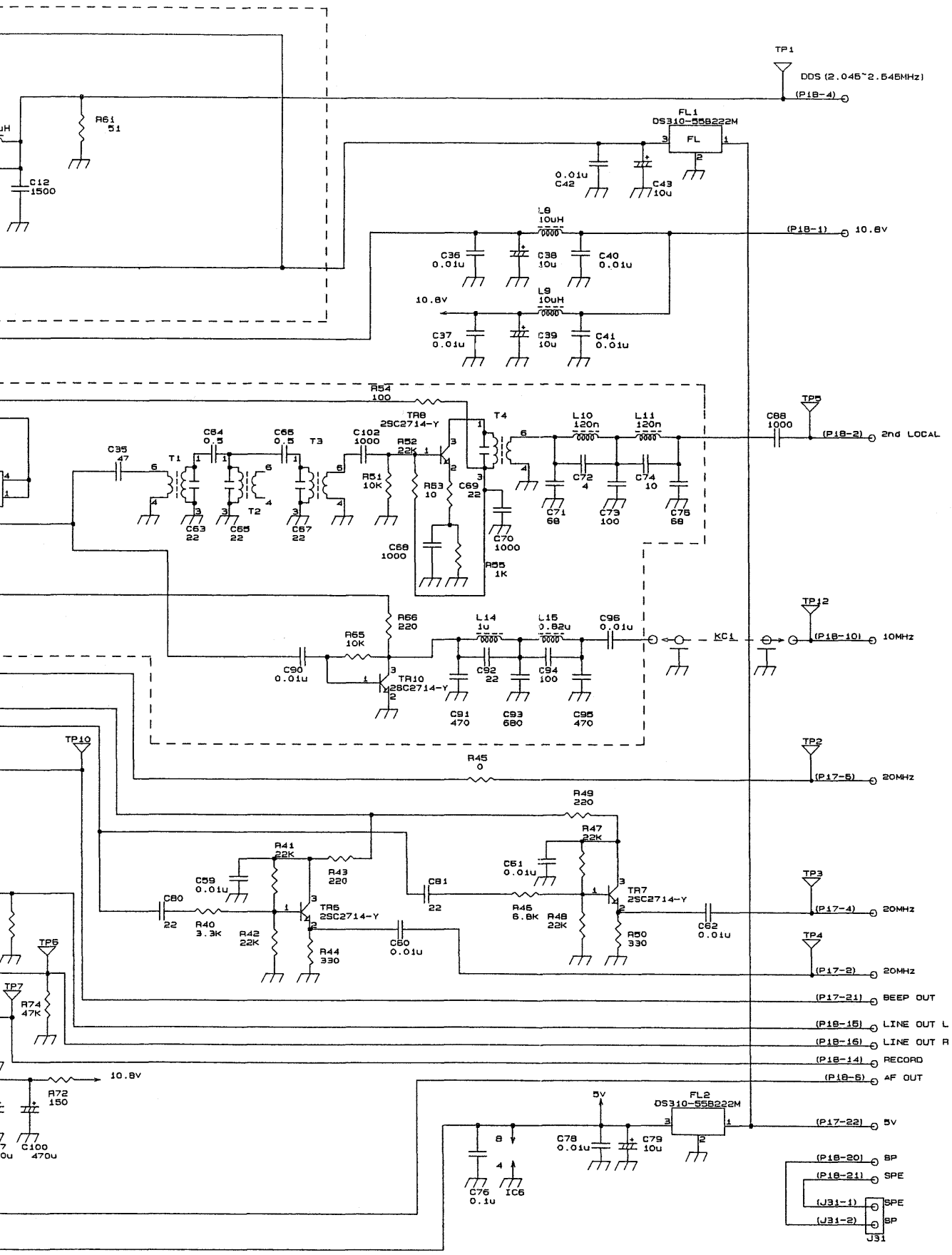


NOTE: UNLESS OTHERWISE SPECIFIED
 -RESISTANCE VALUES ARE IN OHMS
 -CAPACITANCE VALUES ARE IN PICO FARADS
 PC1 H-7PCPC0053



CGA-184

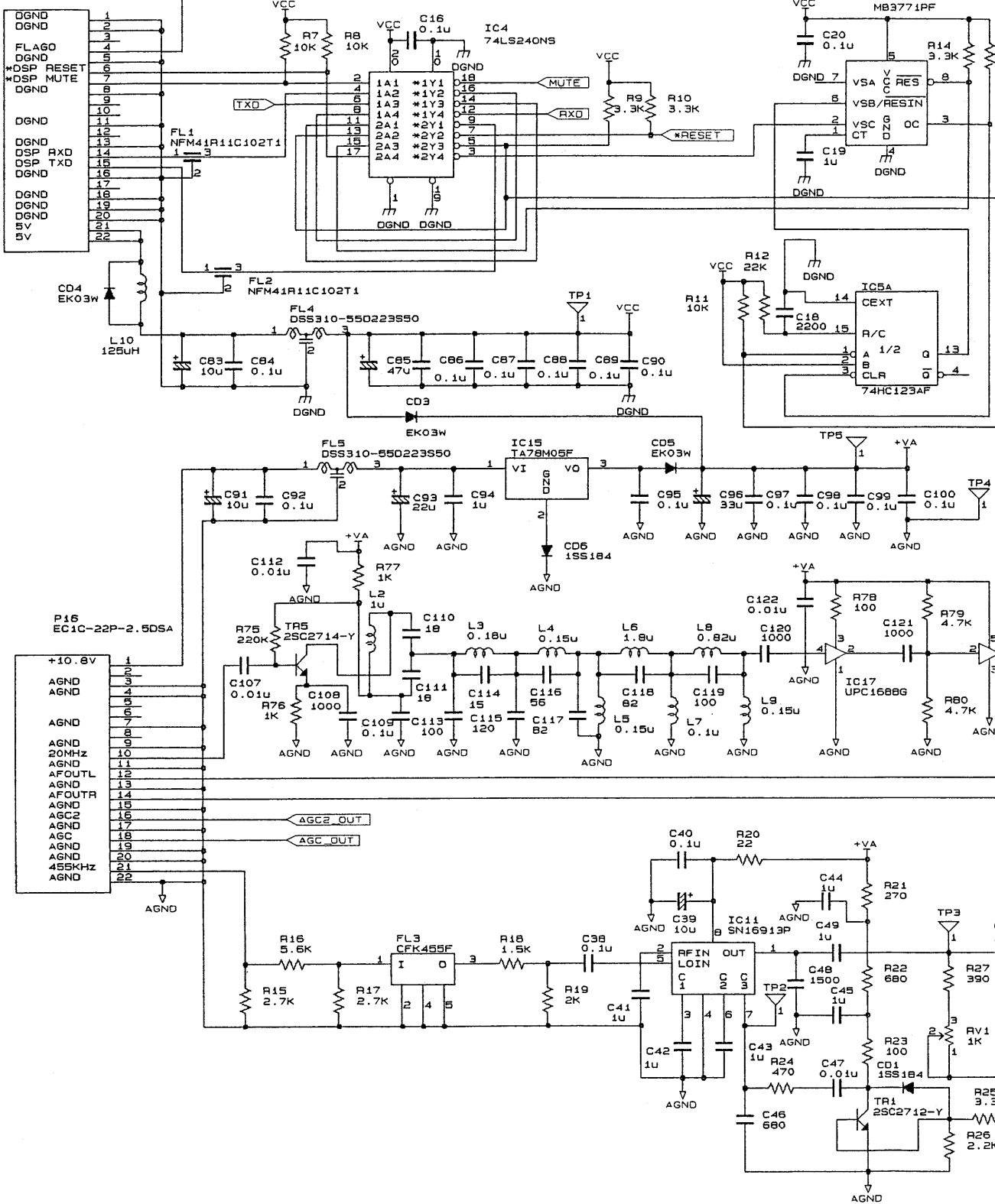


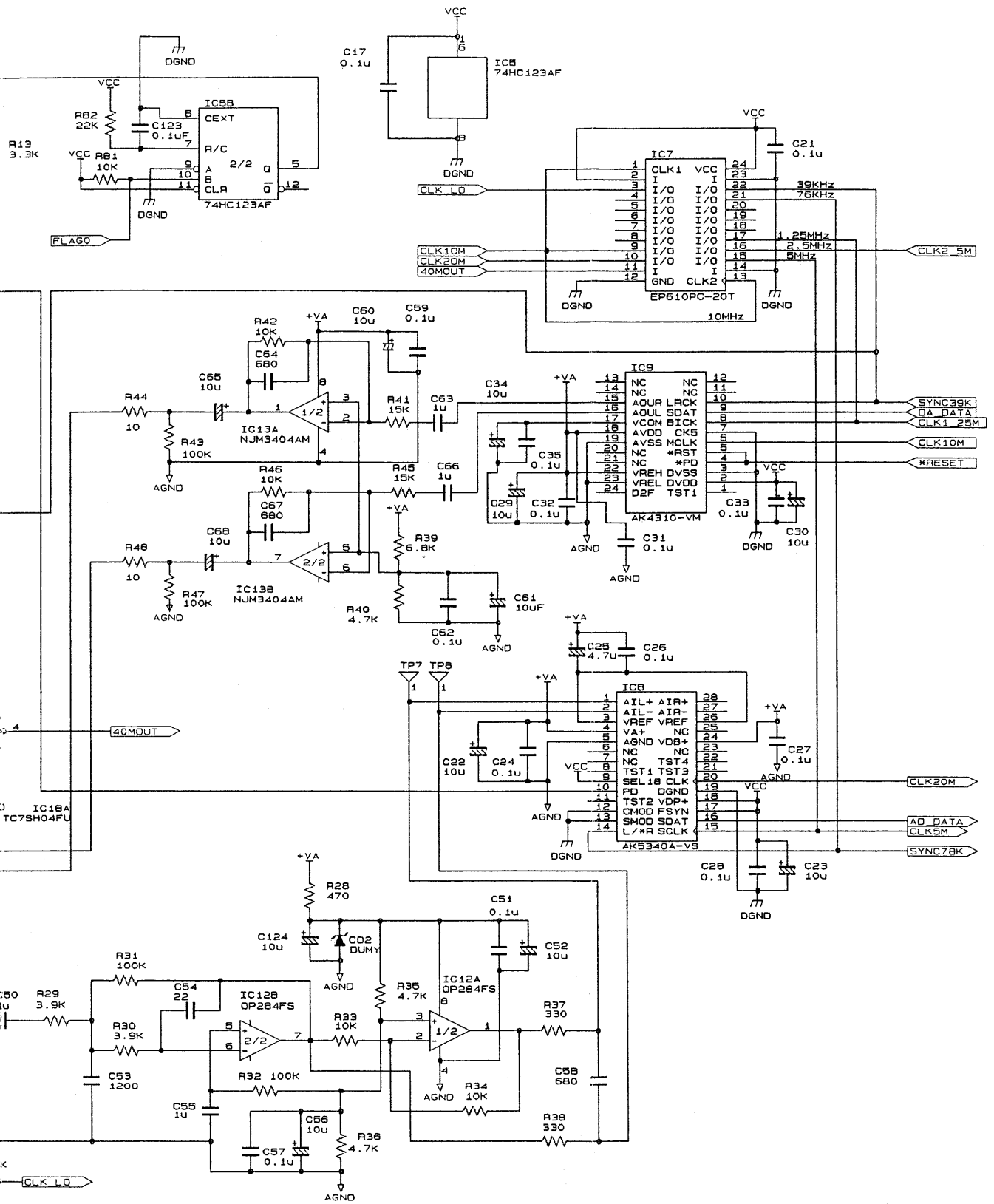


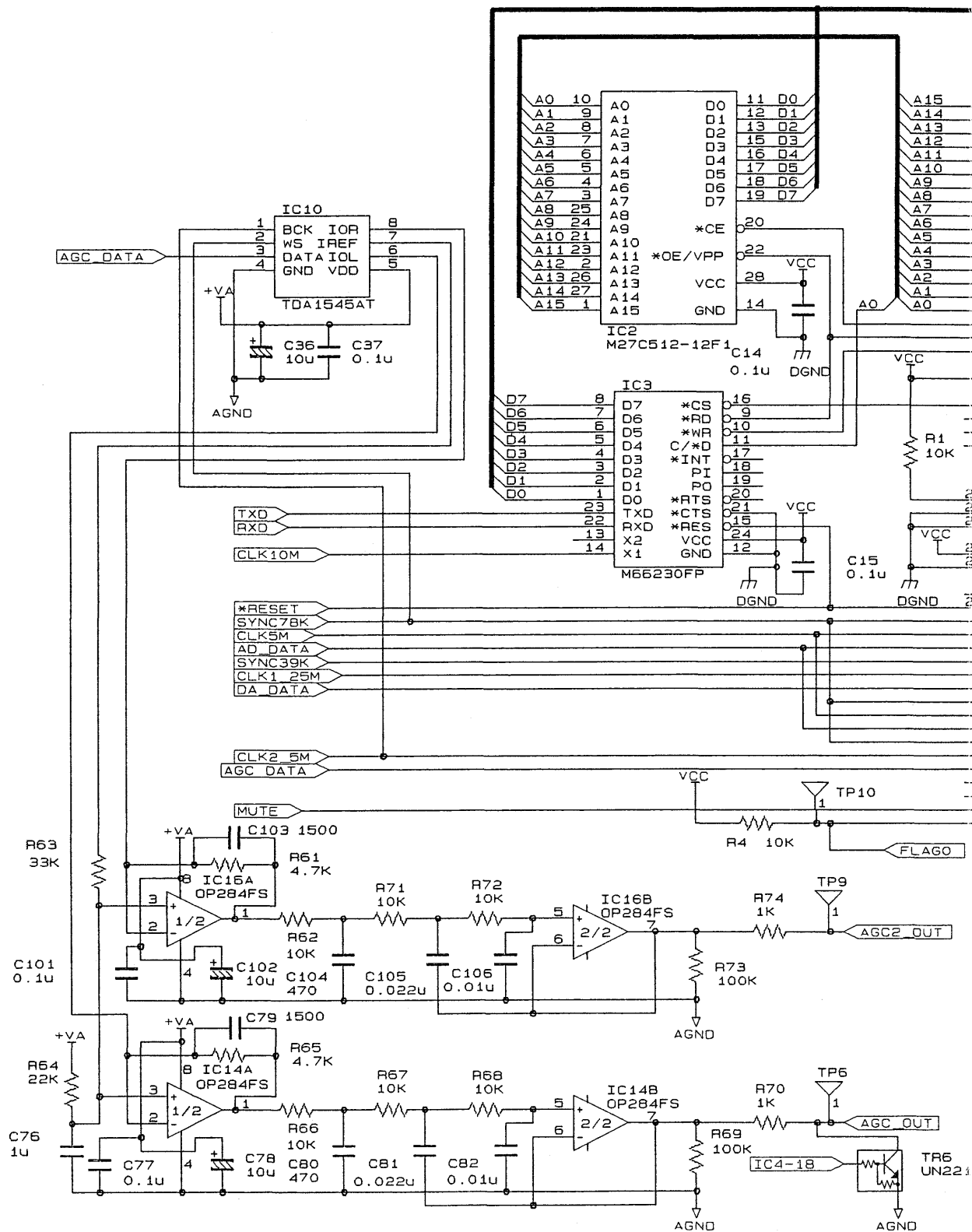
CGK-160

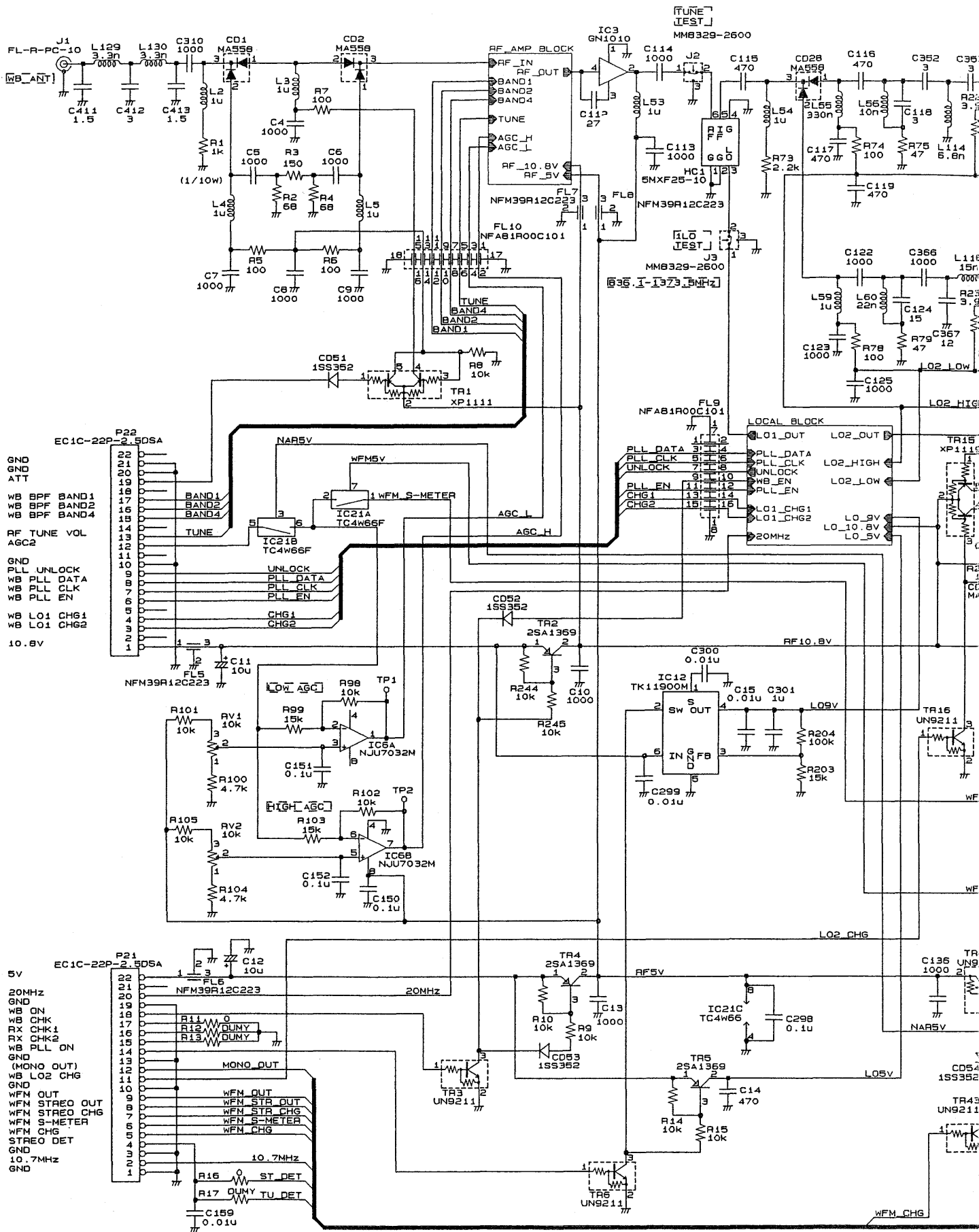
REF/DDS UNIT

P15
EC1C-22P-2.50SA

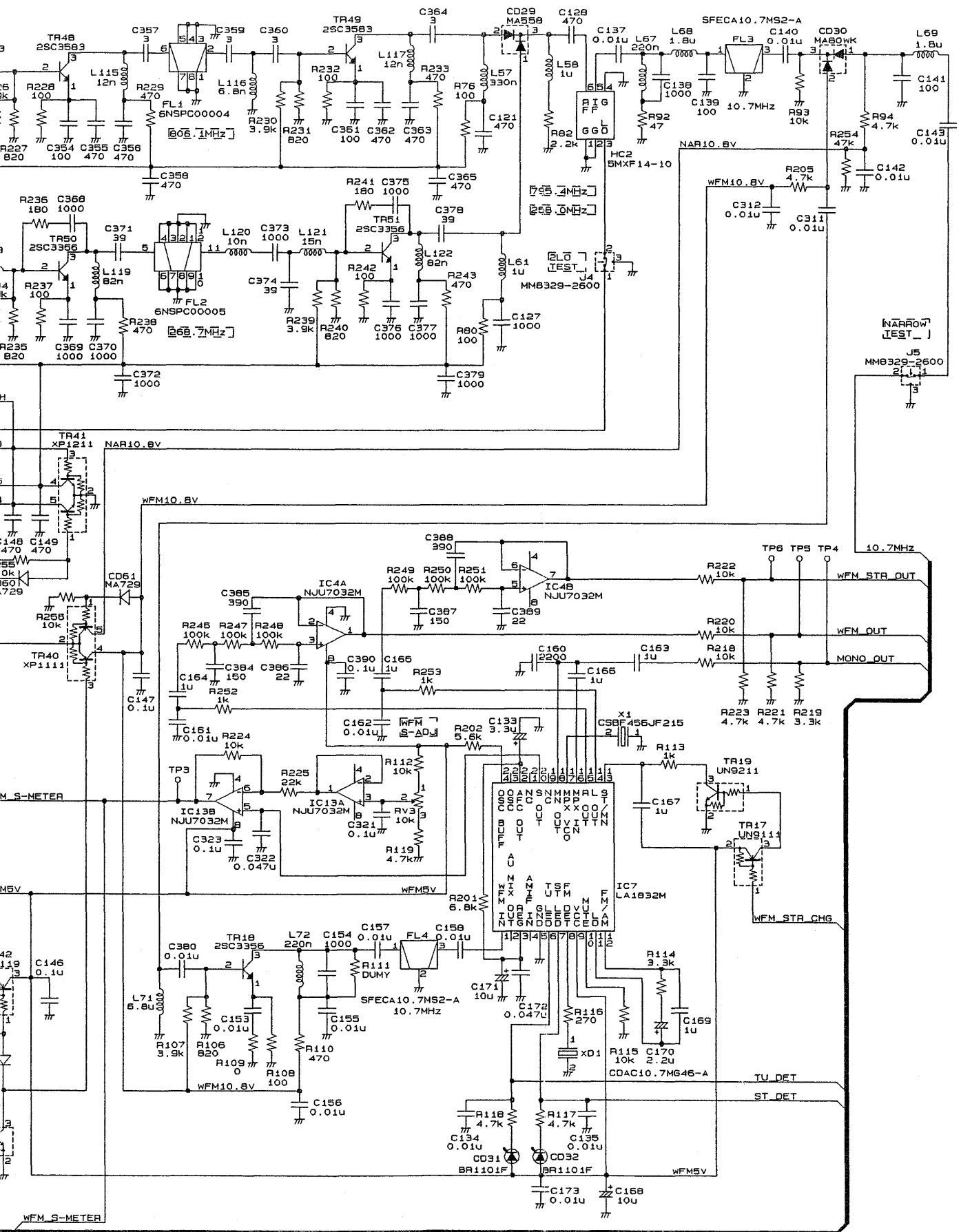


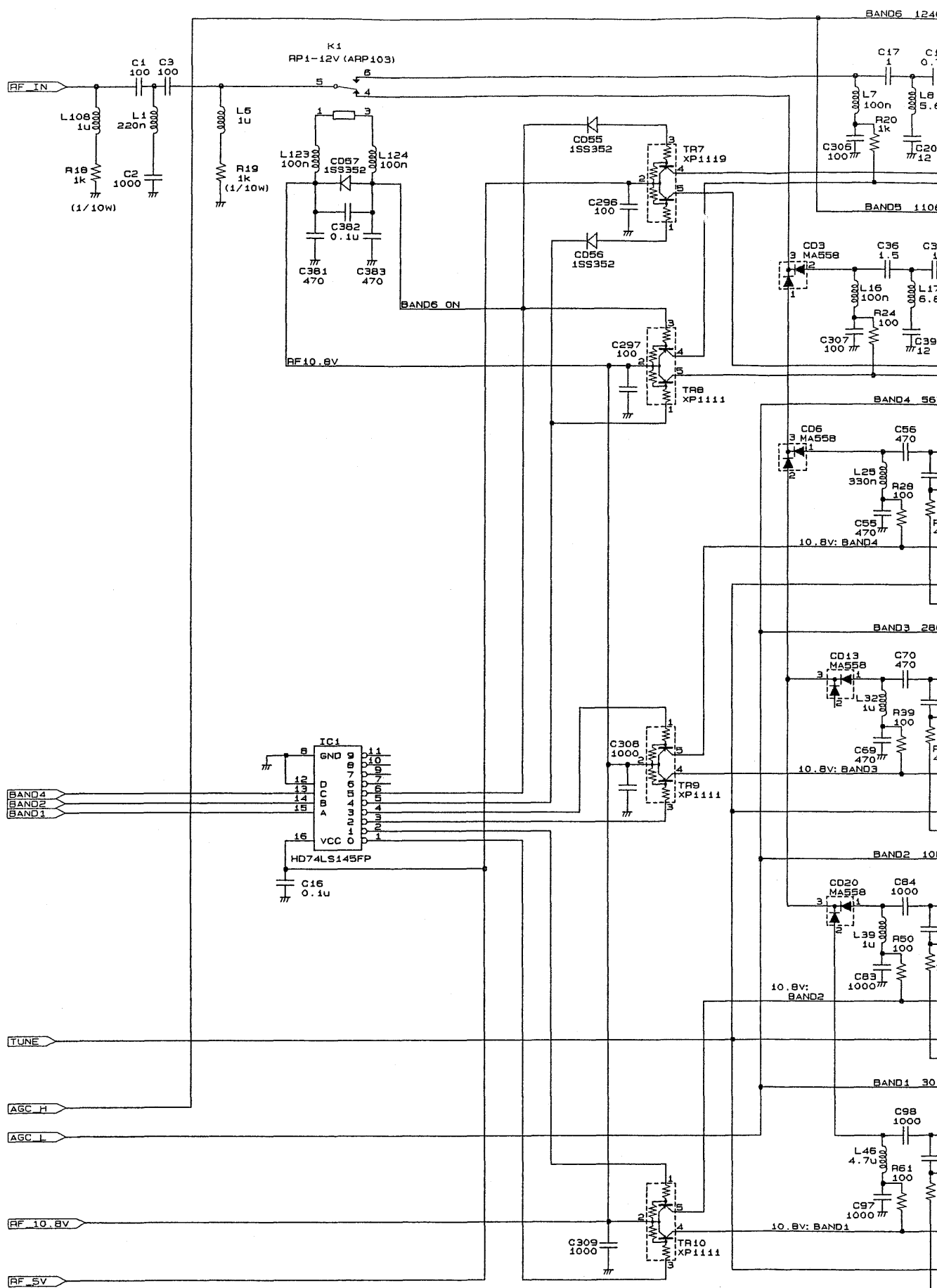




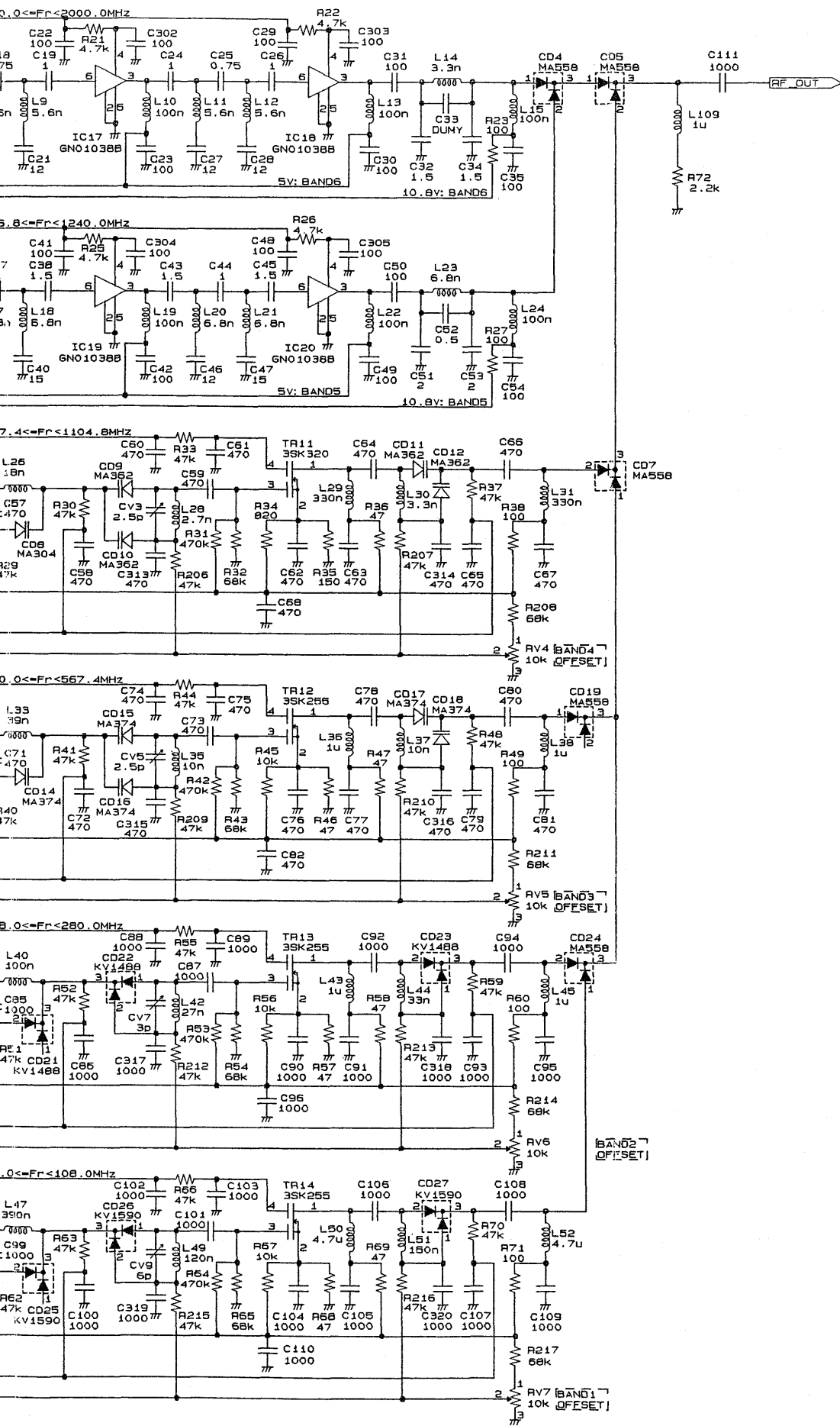


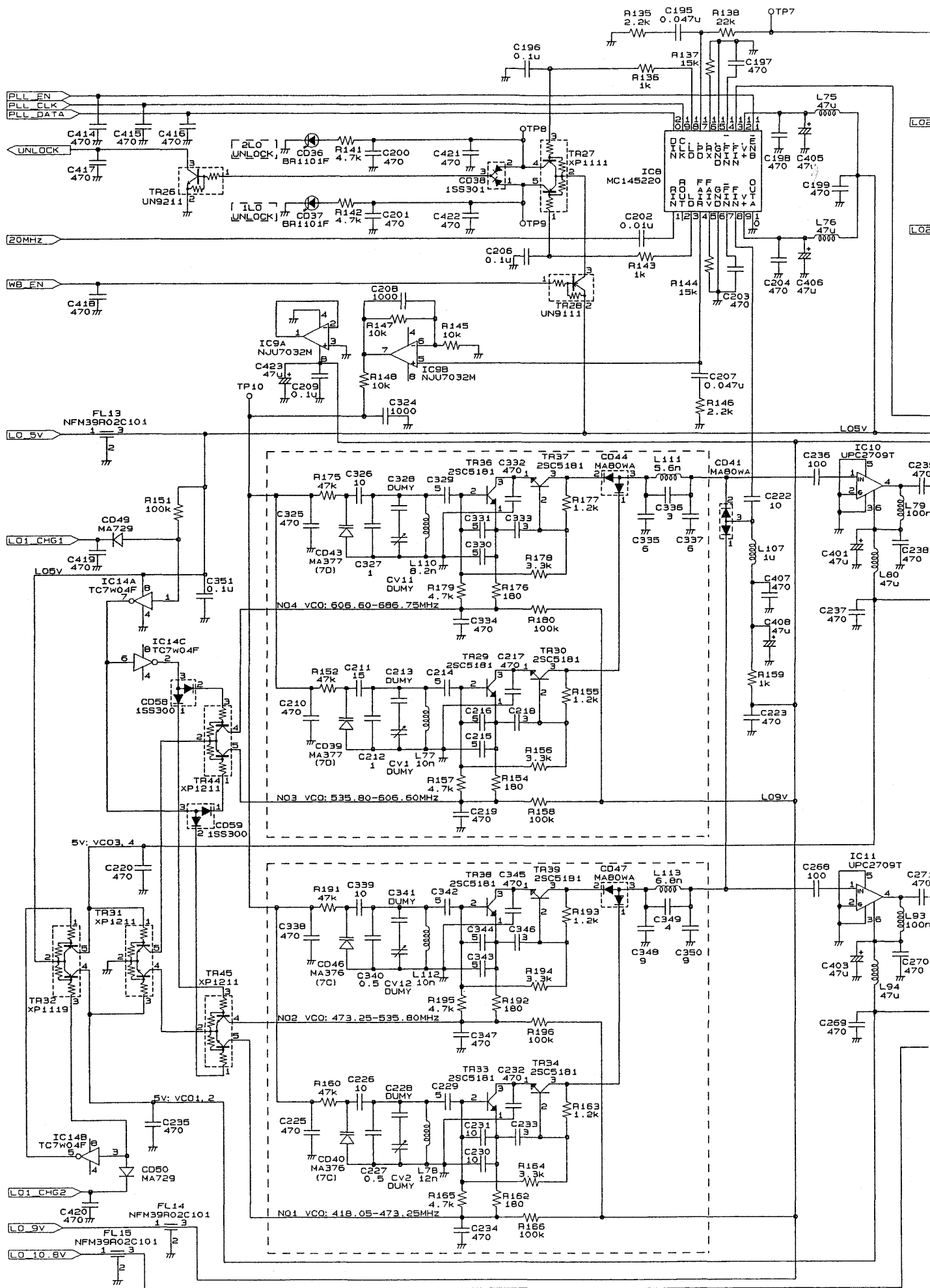
NOTE: Unless otherwise specified:
 -Capacitance values are in pF.
 -Inductance values are in H.
 -Resistance values are in Ω. (1/16W)

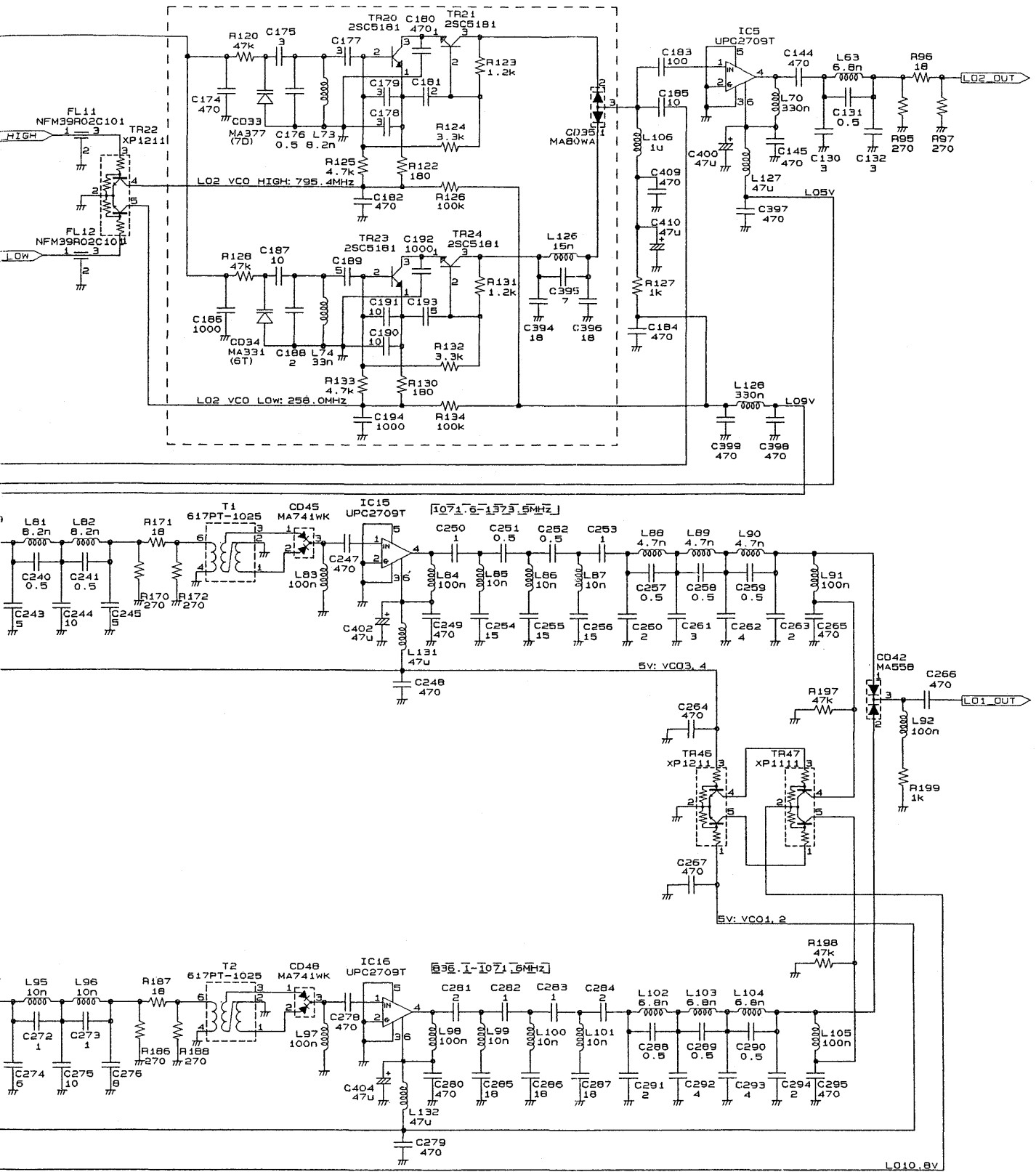




NOTE: Unless otherwise specified;
 -Capacitance values are in pF.
 -Inductance values are in H.
 -Resistance values are in Ω. (1/16W)







VCO SELECT TABLE

CHG2	CHG1	ON	VCO
HI-Z	HI-Z	NO4	VCO
HI-Z	LO	NO3	VCO
LO	HI-Z	NO2	VCO
LO	LO	NO1	VCO

NOTE: Unless otherwise specified:

-Capacitance values are in pF.

-Inductance values are in H.

-Resistance values are in Ω. (1/16W)