

Service Manual

Radio

FM-AM-SW 5-Band
Portable Radio

RF-2900/©



■ SPECIFICATIONS

Frequency Range:	FM	88~108 MHz	Power Consumption:	7 W at 120V (AC Only)	
	AM	525~1605 kHz		Speaker:	4" (10 cm) PM Dynamic Speaker
	SW	3.2~8 MHz		Dimensions:	15" (Wide) x 9 $\frac{1}{4}$ " (High) x 4 $\frac{1}{2}$ " (Deep) (381 x 246 x 120) mm
	SW	8~16 MHz		Weight:	8 lb. 10 oz. (3.9 kg) with batteries
	SW	16~30 MHz		Impedance:	Speaker..... 3.2 Ω
Intermediate Frequency:	FM	10.7 MHz	Earphone Jack3.2~8 Ω	
	AM & SW 2nd	455 kHz	MPX Out Jack10k Ω	
	SW 1st	2 MHz	FM EXT Antenna75 Ω	
Sensitivity:	FM	0.5 μ V (S/N 6 dB)	REC Out Jack6k Ω	
	AM	14 μ V/m for 50mW Output			
	SW	0.5 μ V for 50mW Output			
Power Source:	AC	120 V 60 Hz			
		9V (Six "D" Size Flashlight Batteries)			
		(Panasonic UM-1 or equivalent)			

Weights and dimensions shown are approximate.

(Les poids et dimensions mentionnés sont approximatifs.)

Specifications are subject to change without notice for further improvement.

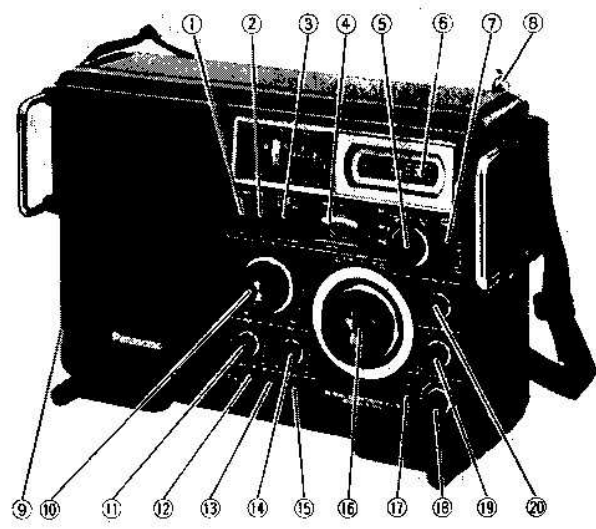
Panasonic®

Panasonic Company
Division of Matsushita Electric
Corporation of America
One Panasonic Way, Secaucus, N.J. 07084

Panasonic Hawaii, Inc.
320 Waiakamilo Road, Honolulu, Hawaii 96817

Matsushita Electric of Canada Ltd.
5770 Ambler Drive, Mississauga,
Ontario, L4W 2K9

LOCATION OF CONTROLS AND COMPONENTS



- ① Power Switch
- ② Light Switch
- ③ FM AFC/Bandwidth Switch
- ④ Tuning/Battery Indicator
- ⑤ Band Selector
- ⑥ Digital Frequency Display
- ⑦ Frequency Display Switch
- ⑧ Telescopic Antenna
- ⑨ AC Input Jack (on the side)
- ⑩ Volume Control
- ⑪ Bass Control
- ⑫ Earphone/External Speaker Jack
- ⑬ Multiplex Output Jack
- ⑭ Treble Control
- ⑮ Recording Output Jack
- ⑯ Tuning Control
- ⑰ BFO Switch
- ⑱ BFO Pitch Control
- ⑲ RF Gain Control
- ⑳ SW Calibrator

DISASSEMBLY INSTRUCTIONS

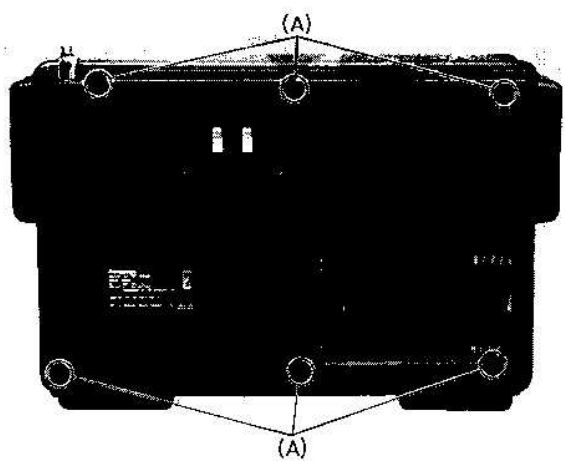


Fig. 1

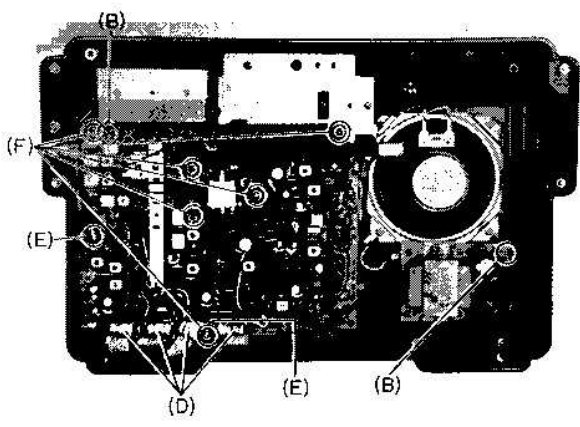


Fig. 2

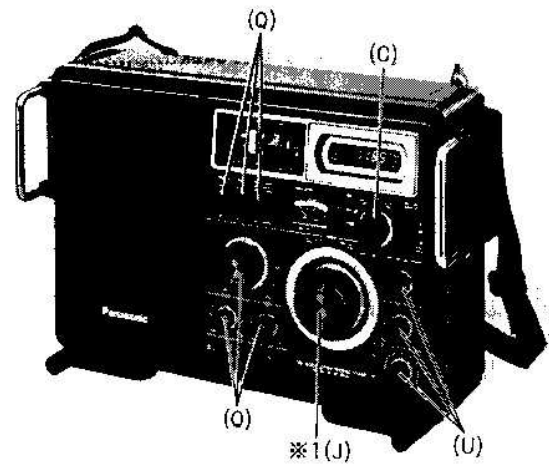


Fig. 3

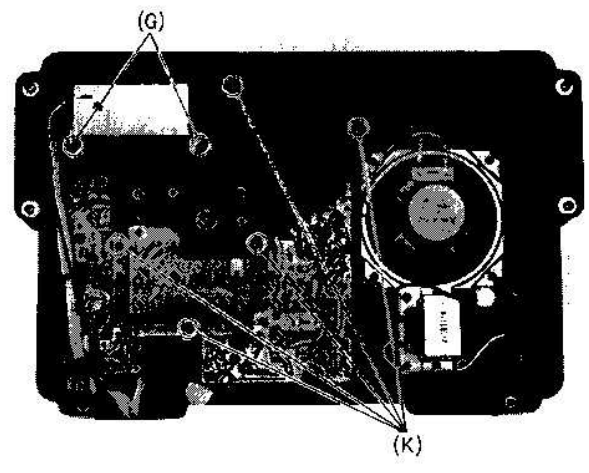


Fig. 4

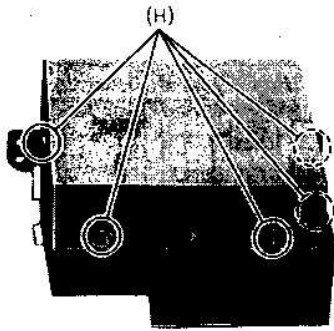


Fig. 5

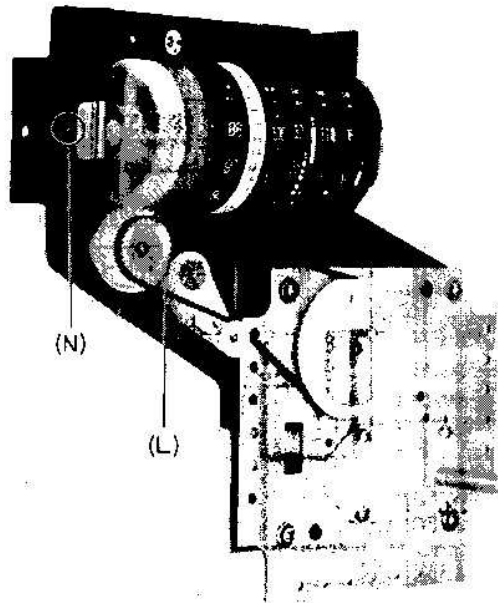


Fig. 7

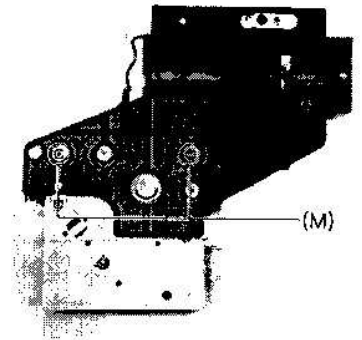


Fig. 8

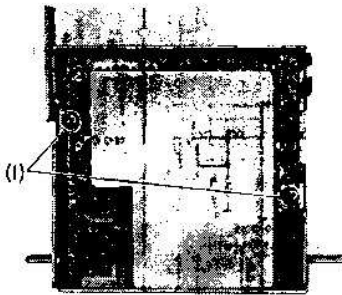


Fig. 6

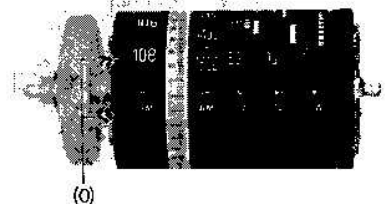


Fig. 9

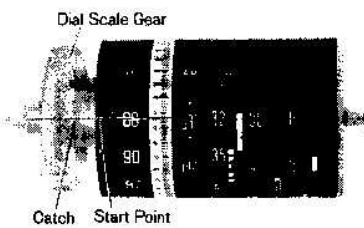


Fig. 10

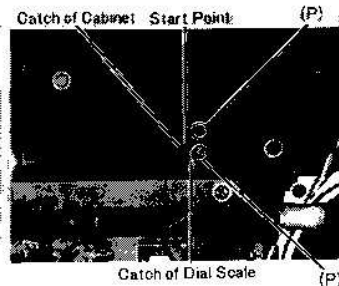


Fig. 11

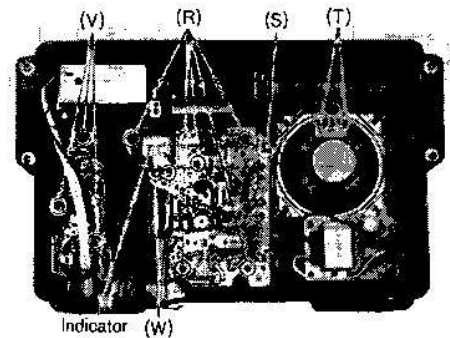


Fig. 12

Procedure	To remove —	Remove —	Shown in fig.—
1	Cabinet Cover	6 screws(A)	1
2		3 sockets(B)	2
3		Band knob(C)	3
4	PC Board (IF, RF Circuit)	Tuning knob *1	3
5		4 sockets(D)	2
6		5 unsolder lead(E)	2
7		6 screws(F)	2
8	Frequency Counter	2 screws(G)	4
9	PC Board (Frequency Counter)	5 screws(H)	5
10		2 screws(I)	6
11	Dial Scale Chassis	Tuning knob(J)	3
12		5 screws(K)	4
13	Dial Mechanism *2	Dial Belt(L)	7
14		2 screws(M)	8
15	Dial Scale *3	1 screw(N)(O)(P)	7, 9, 10, 11
16	PC Board (AF Circuit)	6 knobs(Q)	3
17		5 screws(R)	12
18		1 unsolder lead(S)	12
19		2 socket(T)	12

20	PC Board	3 knobs(U)	3
21	(Control Circuit)	3 screws(V)	12
22	Indicator	Unsold(W)	12

Notes:

- ※1. • Turn the tuning knob fully counter-clockwise.
- Turn the tuning capacitor shaft fully counter-clockwise.

- ※2. • Turn the tuning shaft fully counter-clockwise.
- Set the dial scale at the position, as shown in fig. 7.
- Attach the dial belt.
- Refer to dial scale removal instruction.

- ※3. • Loosen the two (2) screws (O) for the dial scale gear, as shown in fig. 9.
- Set the catch of dial scale gear to the start point of dial scale, as shown in fig. 10.
- Turn the tuning shaft fully counter-clockwise.
- After mounting the PC board (IF, RF circuit), turn the dial scale by pushing the catch of dial scale and set the start point of dial scale to the catch of cabinet, as shown in fig. 11.
- Tighten the two (2) screws (P) for the dial scale gear, as shown in fig. 11.

**■ HOW TO REPLACE CHIPS
(RESISTOR, CAPACITOR, JUMPER)**

1. Remove solder from chip by using solder sucker.
2. Remove chip with tweezers by rotating it while removing solder as shown in fig.13.
3. Solder circuit board first and then solder chip in the direction of the arrow as shown in fig.14.

Notes:

1. Do not use chip again which is removed from P.C. Board.
2. Use lead wire with insulator for replacement instead of chip jumper.

Color	Original Parts Name
Black	Chip Resistor
Brown	Chip Capacitor
Blue	Chip Jumper

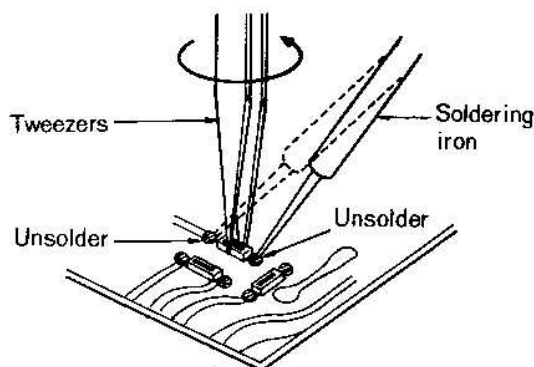


Fig. 13

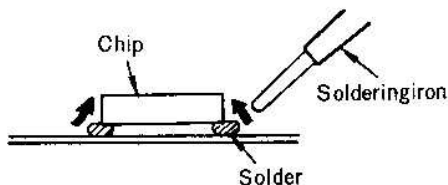


Fig. 14

BLOCK DIAGRAM

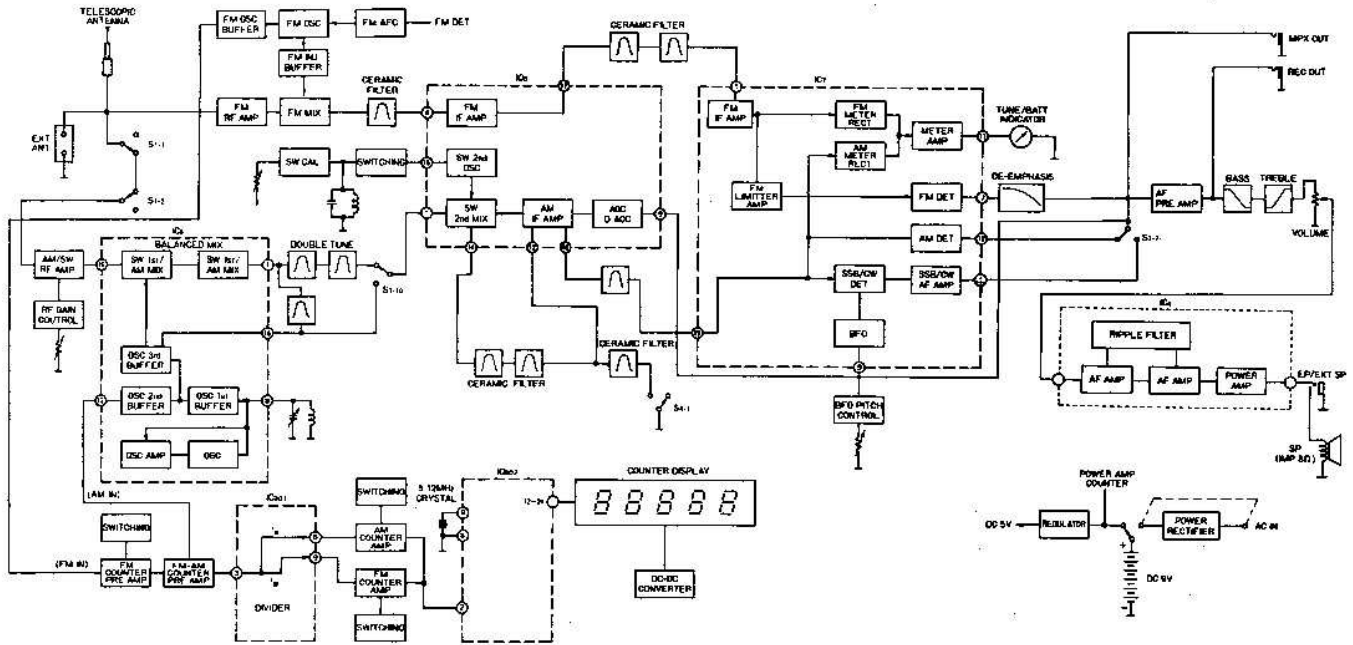


Fig. 15

ALIGNMENTS

ALIGNMENT POINTS

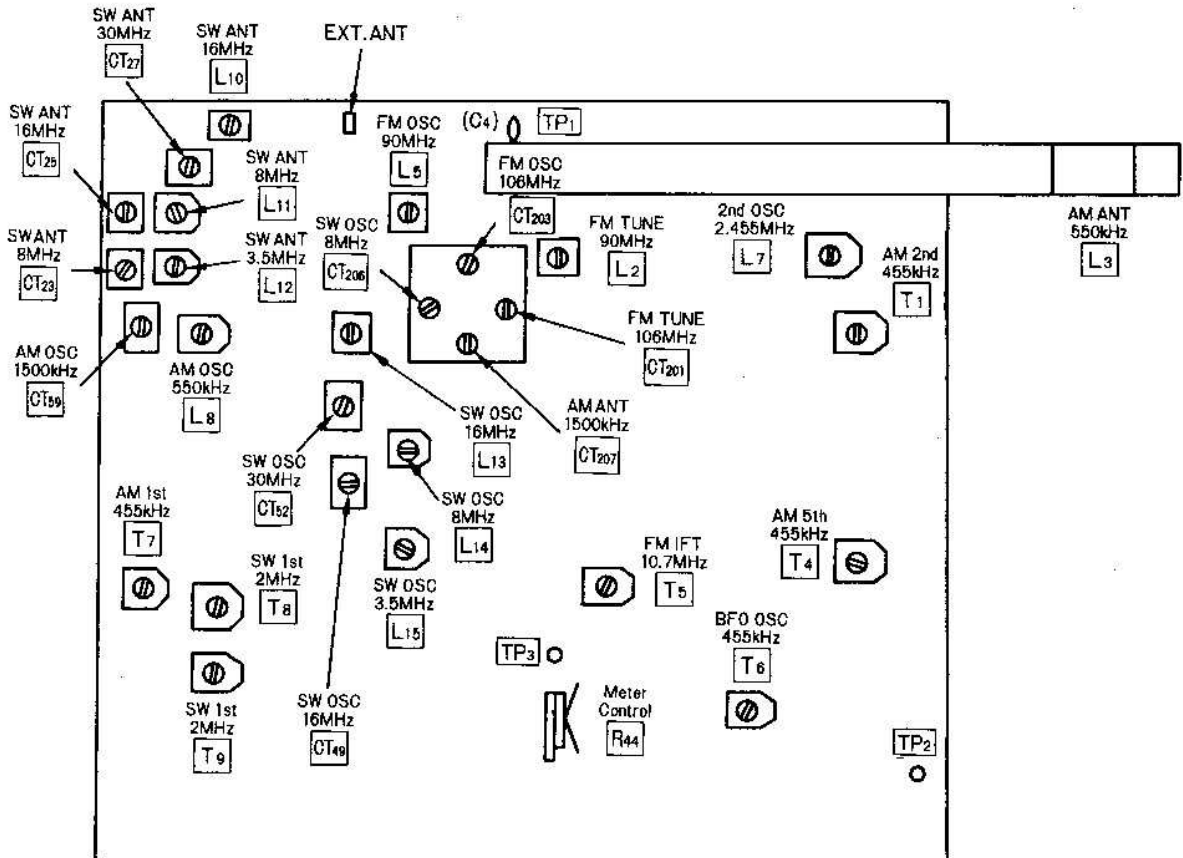
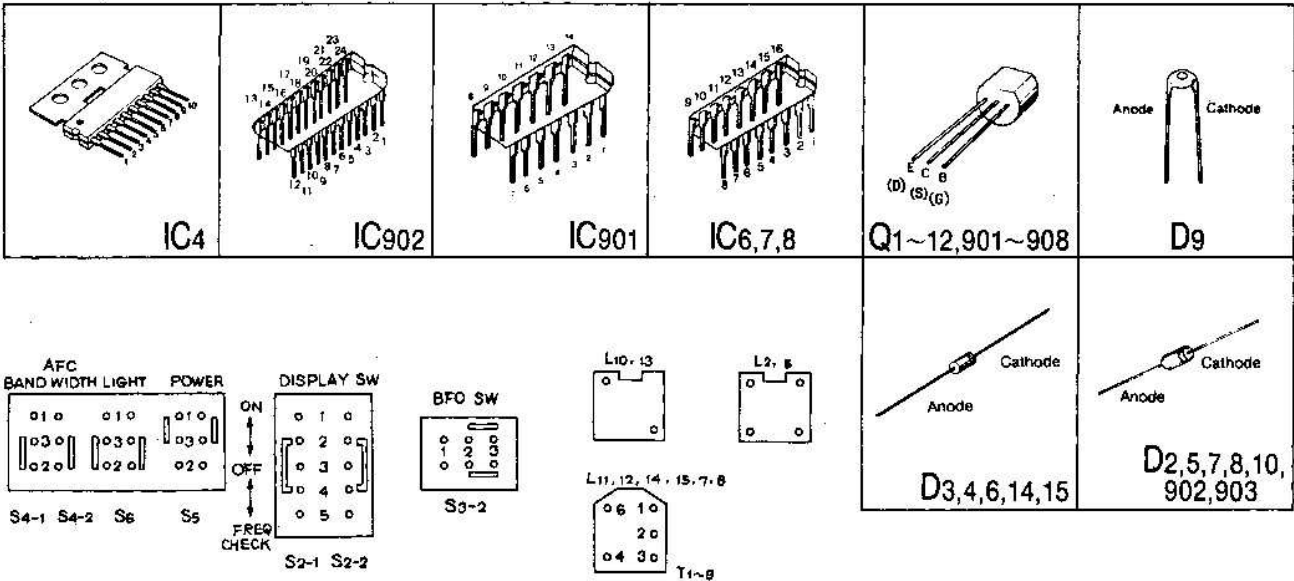


Fig. 16

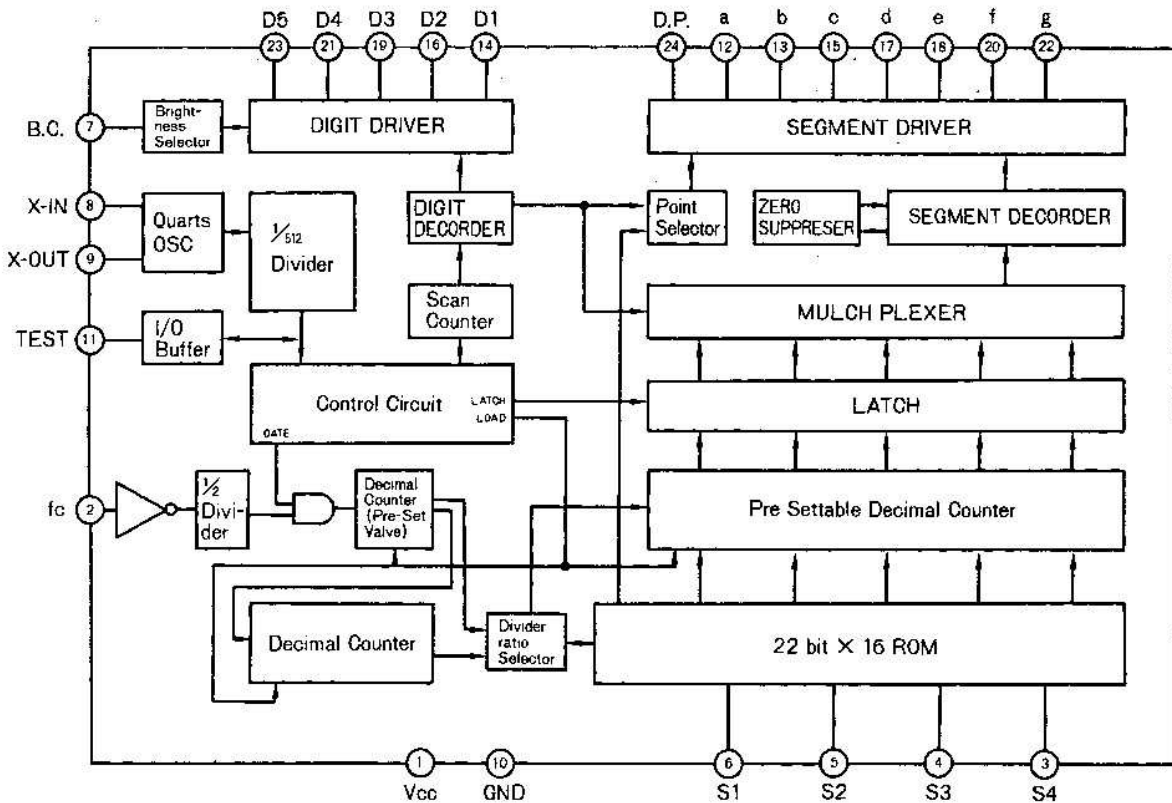
Notes:

1. S₁₋₁~S₁₋₁₀: Band switch in "FM" position.
2. S₂₋₁, S₂₋₂: Digital display switch in "OFF" position.
3. S₃₋₁, S₃₋₂: BFO switch in "OFF" position.
4. S₄₋₁: FM AFC switch in "OFF" position.
5. S₄₋₂: Band width switch in "NARROW" position.
6. S₅: Power switch in "OFF" position.
7. S₆: Light switch in "OFF" position.
8. S₇: AC-battery switch in "Battery" position.

9. DC voltage measurements are taken with 10 k Ω /V voltmeter from negative terminal of battery.
-FM position ().....AM position
< >.....SW position
10. * mark.....chip resistor and capacitor.
11. Battery current. No signal36 mA
Maximum output600 mA



IC 902 (RVIM54828P) BLOCK DIAGRAM



Circuit Board Wiring

Q4			
SW	MW	FM	
C	4.5V	4.4V	0.7V
B	4.1V	3.7V	0.1V
E	4.5V	4.4V	0.7V
Ic	0mA	0mA	0mA

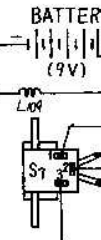
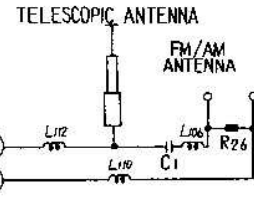
Q1	
	FM
D	3.3V
O	0V
S	0V
Ic	3.9mA

Q3	
	FM
C	0V
B	3.5V
F	4.4V
Ic	0.8mA

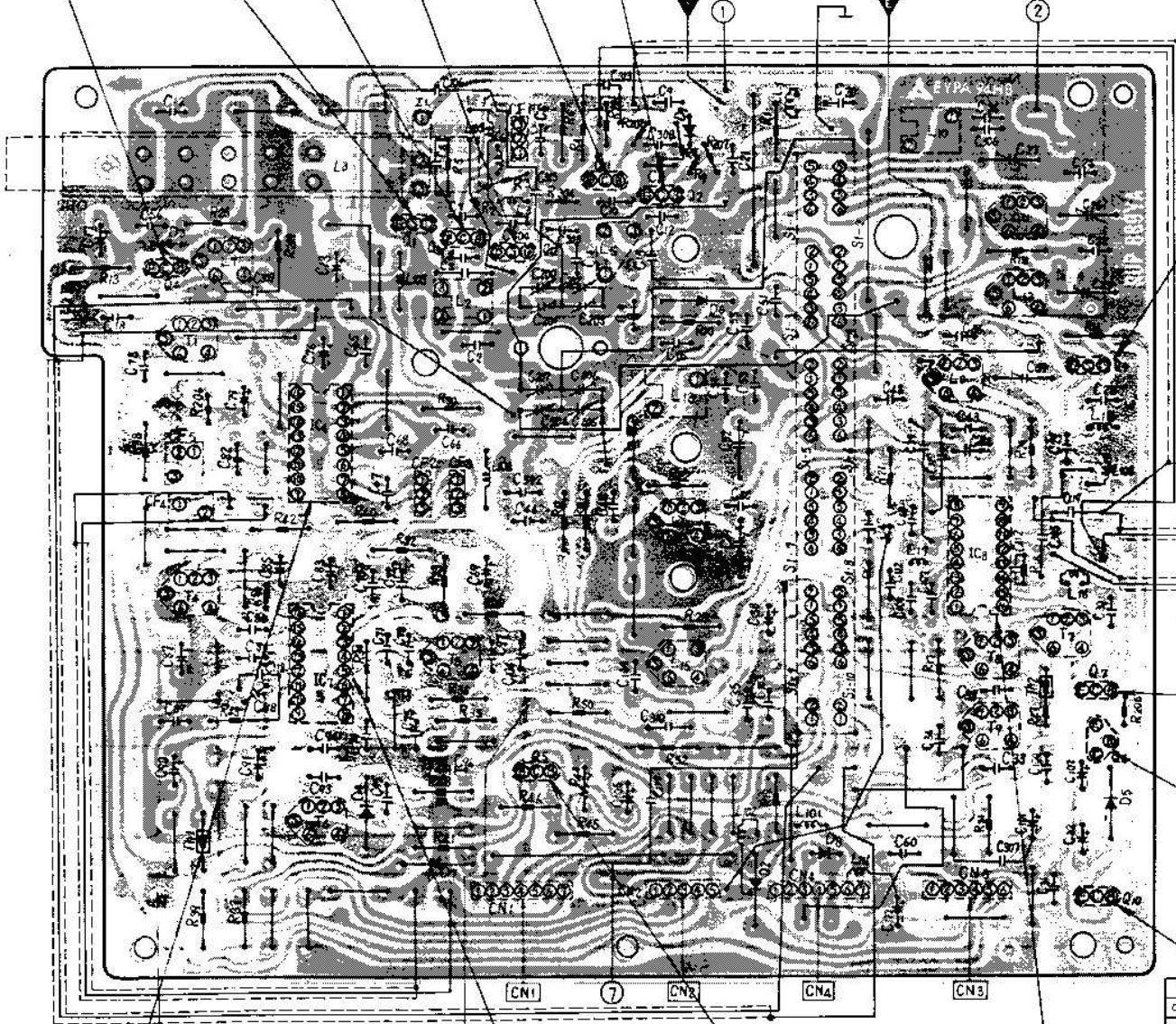
Q12	
	FM
D	4.9V
G	0V
S	0V
Ic	2.9mA

Q11	
	FM
C	4.9V
R	0.76V
E	0.02V
Ic	42.5µA

Q2	
	FM
C	0V
B	1.2V
E	2.1V
Ic	0.4mA



EXT POWER SOURCE JACK W/AC-BATTERY SELECTOR



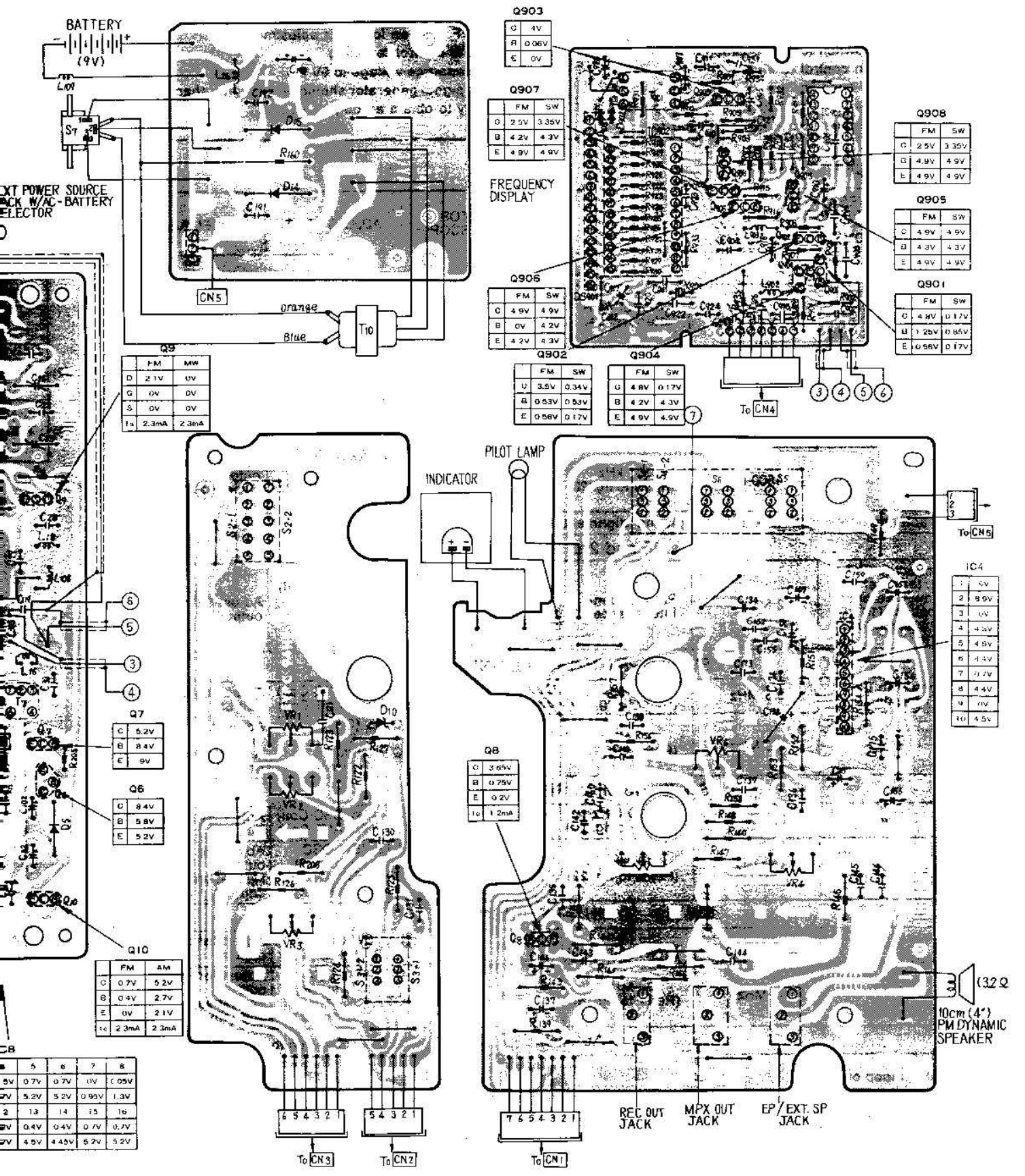
IC6								
	1	2	3	4	5	6	7	8
FM	0.15V	0.15V	0V	3.6V	3.6V	4.9V	3.7V	0V
AM	0.7V	0.7V	0V	0V	0V	0V	0V	0V
	9	10	11	12	13	14	15	16
FM	0V	0.7V	1.7V	0.3V	0.7V	0.7V	0.7V	0.3V
AM	0.2V	4.7V	2.8V	0.9V	4.4V	4.4V	4.4V	3.7V

IC7								
	1	2	3	4	5	6	7	8
FM	1.1V	1.1V	1.1V	4.9V	1.4V	4.05V	4.15V	0V
AM	0V	0V	0V	0V	0V	0V	0V	0V
	9	10	11	12	13	14	15	16
FM	0V	0V	0.9V	0V	0.7V	0.1V	0V	0V
AM	0.6V	1.4V	0.7V	0.4V	4.7V	1.3V	1.1V	0V

Q5	
	FM
C	8.6V
B	1.8V
E	2.4V
Ic	0.67mA

IC8								
	1	2	3	4	5	6	7	8
FM	0.7V	0.7V	0.35V	0.15V	0.7V	0.7V	0V	0V
AM	5.2V	5.2V	4.6V	3.7V	5.2V	5.2V	0.96V	0V
	9	10	11	12	13	14	15	16
FM	0V	0V	0V	0.2V	0.4V	0.4V	0.7V	0V
AM	1V	1.3V	0V	3.7V	4.5V	4.45V	5.2V	0V

Wiring View - Model RF-2900 ©



ALIGNMENT INSTRUCTION

READ CAREFULLY BEFORE ATTEMPTING ALIGNMENT

1. Set volume control to maximum.
2. Set power switch to ON.
3. Set bass and treble control to maximum.
4. Set band switch to AM, SW or FM.
5. Set digital display switch to OFF position.
6. Set AM/SW RF gain control to high.
7. Light switch to OFF position.
8. Set FM AFC/Band width switch to narrow, OFF position for the AM-IF, BFO, and FM adjustment, and to wide ON position for other adjustment.
9. Set pitch control to center.
10. Set BFO switch to ON position for BFO adjustment, and to OFF position for other adjustment.
11. Set SW Cal control to center.
12. Set power source voltage to 9V DC.
13. Output of signal generator should be no higher than necessary to obtain an output reading.

AM AND SW ALIGNMENT

BAND	SIGNAL GENERATOR or SWEEP GENERATOR		RADIO DIAL SETTING	INDICATOR (VTVM or SCOPE)	ADJUSTMENT	REMARKS
	CONNECTIONS	FREQUENCY				
AM-IF ALIGNMENT						
(1) AM	Fashion loop of several turns of wire and radiate signal into loop of receiver.	455 kHz 30% Mod. at 400 Hz	Point of non-interference.	Output meter across voice coil.	T ₇ (AM 1st IFT) T ₁ (AM 2nd IFT) T ₄ (AM 3rd IFT)	Adjust for maximum output.
AM-RF ALIGNMENT						
(2) AM	"	550 kHz	550 kHz (Refer to fig. 19)	Output meter across voice coil	L ₈ (AM OSC Coil) (*) L ₃ (AM ANT Coil)	Adjust for maximum output. Adjust L ₃ by moving coil bobbin along ferrite core.
(3) AM	"	1500 kHz	1500 kHz (Refer to fig. 20)	"	CT ₅₉ (AM OSC Trimmer) CT ₂₀₇ (AM ANT Trimmer)	Adjust for maximum output. Repeat steps (2) and (3).
(*) Cement antenna bobbin with wax after completing alignment.						
SW-1st IF and 2nd OSC ALIGNMENT						
(4) SW 3.2~8 MHz	Connect to EXT ant. terminal through ceramic capacitor (10 PF). Negative side to earth	2 MHz	Point of non-interference.	"	L ₇ (2nd OSC Coil) T ₆ (SW 1st IFT) T ₉ (SW 1st IFT)	Adjust for maximum output.
SW (3.2~8 MHz)-RF ALIGNMENT						
(5) SW 3.2~8 MHz	Connect to EXT ANT terminal.	3.5 MHz	3.5 MHz (Refer to fig. 21)	Output meter across voice coil.	L ₁₅ (SW OSC Coil) L ₁₂ (SW ANT Coil)	Adjust for maximum output.
(6) SW 3.2~8 MHz	"	8.0 MHz	8.0 MHz (Refer to fig. 22)	"	CT ₂₀₆ (SW OSC Trimmer) CT ₂₃ (SW ANT Trimmer)	Adjust for maximum output. Repeat steps (5) and (6).
SW (8~16 MHz)-RF ALIGNMENT						
(7) SW 8~16 MHz	"	8.0 MHz	8.0 MHz (Refer to fig. 23)	"	L ₁₄ (SW OSC Coil) L ₁₁ (SW ANT Coil)	Adjust for maximum output.
(8) SW 8~16 MHz	"	16 MHz	16 MHz (Refer to fig. 22)	"	CT ₄₉ (SW OSC Trimmer) CT ₂₅ (SW ANT Trimmer)	Adjust for maximum output. Repeat steps (7) and (8).
SW (16~30 MHz)-RF ALIGNMENT						
(9) SW 16~30 MHz	"	16 MHz	16 MHz (Refer to fig. 23)	"	L ₁₃ (SW OSC Coil) L ₁₀ (SW ANT Coil)	Adjust for maximum output.
(10) SW 16~30 MHz	"	30 MHz	30 MHz (Refer to fig. 24)	"	CT ₅₂ (SW OSC Trimmer) CT ₂₇ (SW ANT Trimmer)	Adjust for maximum output. Repeat steps (9) and (10).
BFO ALIGNMENT Note: Set band width switch to "Narrow".						
(11) SW 3.2~8 MHz	Fashion loop of several turns of wire and radiate signal into loop of receiver.	3.5 MHz	Tune to signal.	Audio output from speaker.	T ₆ (BFO OSC Coil)	1. Cut off modulation after tune to signal. 2. Set BFO switch to ON 3. Adjust for zero beat.

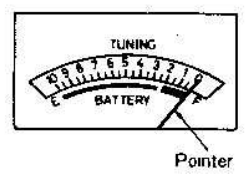
TUNE/BATT METER ADJUSTMENT

1. RADIO RECEIVER SETTING

- Set band switch to AM.
- Set volume control MIN.
- Set Power switch to ON.
- Set BFO switch to OFF.
- Set power source voltage to 9 volts DC.

2. REMARKS

- Adjust R₄₄ so that the pointer of meter stays as shown in figure right.



FM ALIGNMENT

BAND	SIGNAL GENERATOR or SWEEP GENERATOR		RADIO DIAL SETTING	INDICATOR (VTVM or SCOPE)	ADJUSTMENT	REMARKS
	CONNECTIONS	FREQUENCY				
FM-IF ALIGNMENT						
(1) FM	Connect to test point TP ₁ through 0.001μF. Negative side to earth.	10.7 MHz	Point of non-interference.	Connect vert. amp. of scope to test point TP ₃ . Negative side to earth.	T ₃ (FM IFT)	Adjust for maximum amplitude. (Refer to fig. 17)
FM-RF ALIGNMENT						
(2) FM	Connect to EXT ANT. (FM) terminal through FM dummy antenna. (Refer to fig. 18).	90 MHz	90 MHz (Refer to fig. 25)	Output meter across voice coil.	L ₅ (FM OSC Coil) L ₂ (FM TUNE Coil)	Adjust for maximum output.
(3) FM	"	106 MHz	106 MHz (Refer to fig. 26)	"	CT ₂₀₃ (FM OSC Trimmer) CT ₂₀₁ (FM TUNE Trimmer)	Adjust for maximum output. Repeat steps (2) and (3).

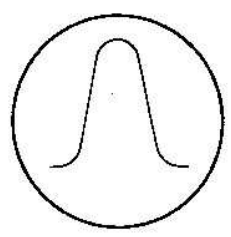


Fig. 17

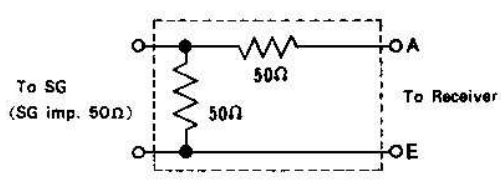


Fig. 18 FM Dummy Antenna

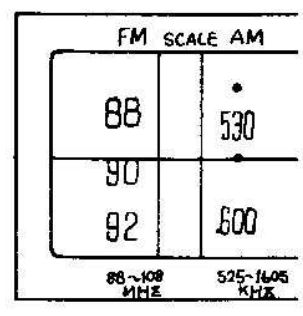


Fig. 19 AM (550 kHz)

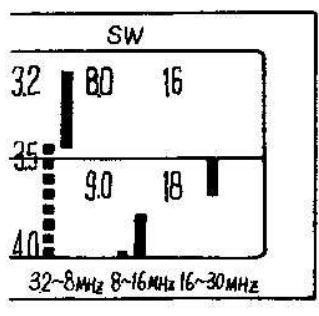


Fig. 21 SW (3.5 MHz)

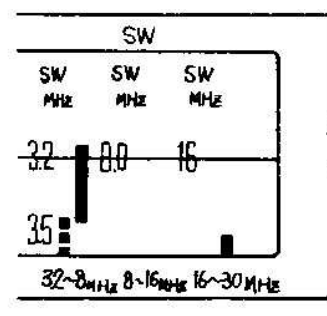


Fig. 23 SW (8 MHz) (16 MHz)

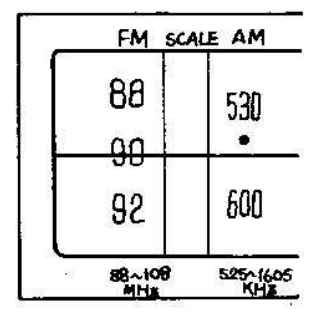


Fig. 25 FM (90 MHz)

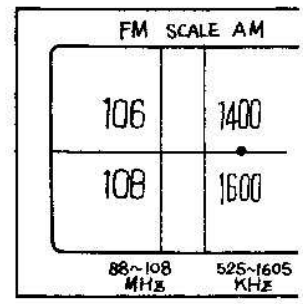


Fig. 20 AM (1500 kHz)

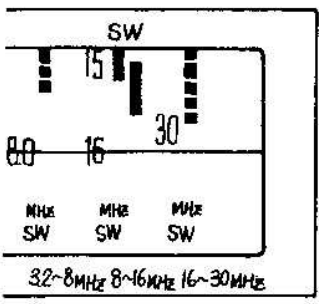


Fig. 22 SW (8 MHz) (16 MHz)

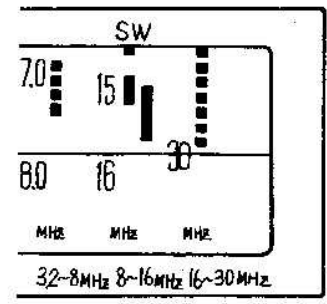


Fig. 24 SW (30 MHz)

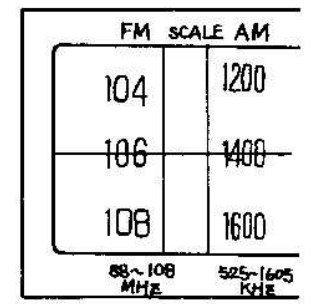


Fig. 26 FM (106 MHz)

CABINET PARTS

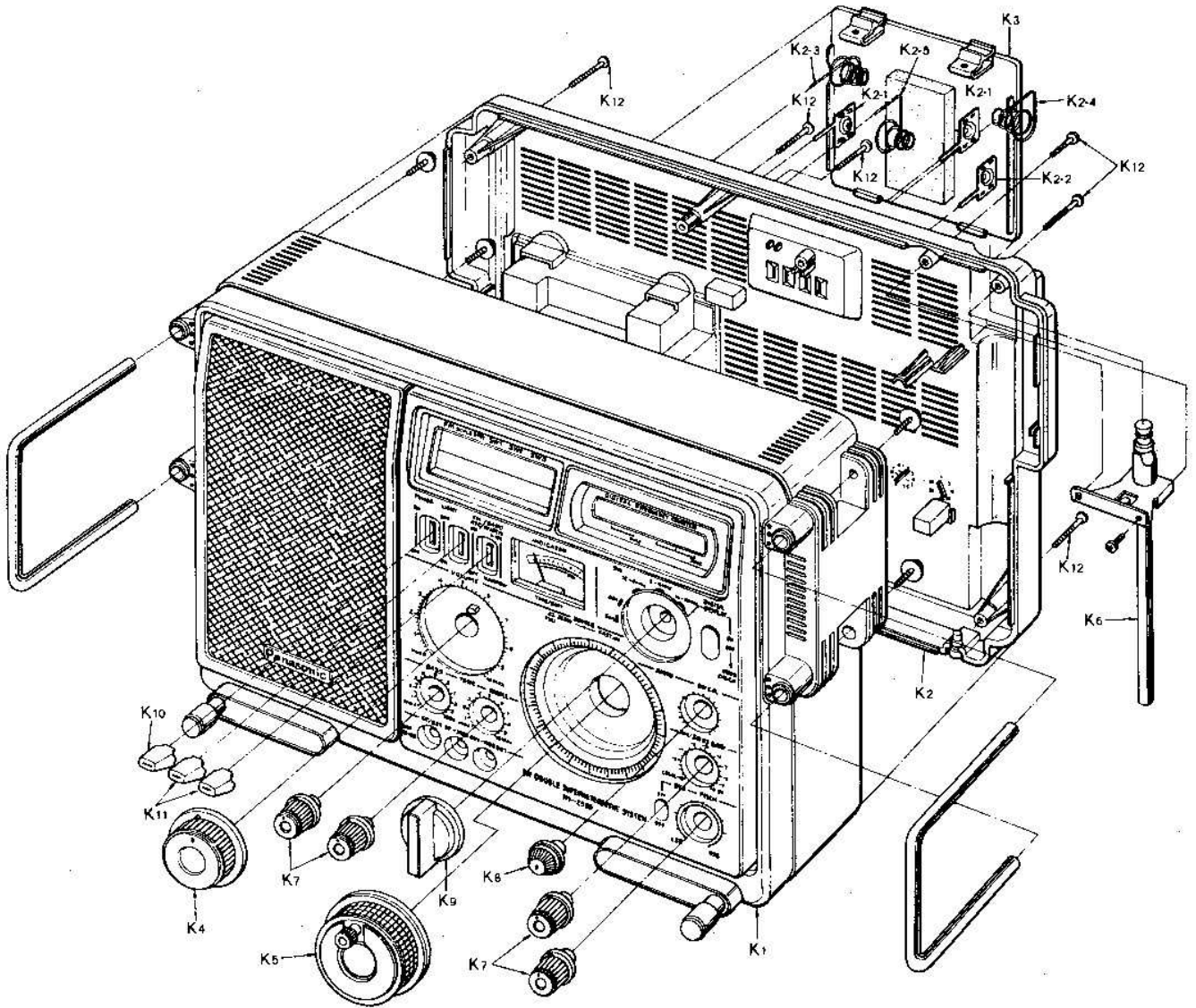


Fig. 27

CHASSIS PARTS

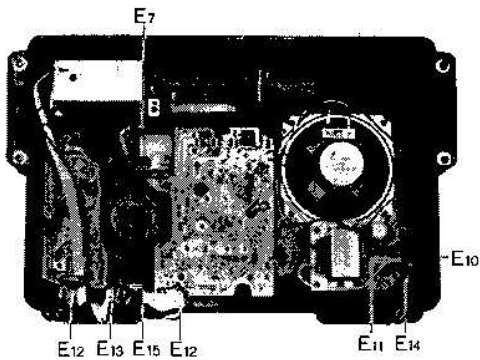


Fig. 28

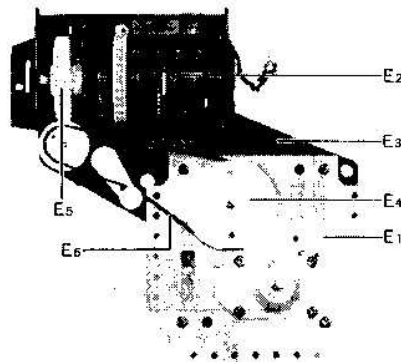


Fig. 29

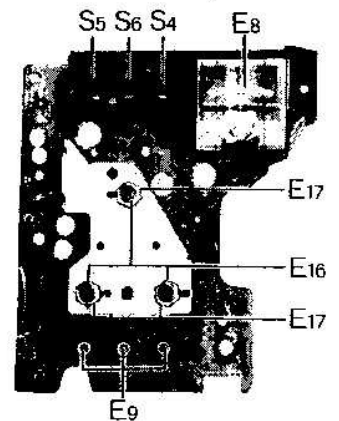


Fig. 30

PACKING & ACCESSORY PARTS

REPLACEMENT PARTS LIST Model RF-2900/©
(RD7811-1627C)

NOTES: 1. Part numbers are indicated on most mechanical parts.
Please use this part number for parts orders.
2. Components identified by shaded area have special characteristic important for safety.
When replacing any of these components use only manufacturer's specified parts.
3. The Ⓢ mark is service standard parts and may differ from production parts.
4. The ○ mark is used by the manufacturing plant only.

Ref. No.	Part No.	Part Name & Description	Per Set	Remarks
INTEGRATED CIRCUITS, TRANSISTORS AND DIODES				
IC4	RV1TA7208P	IC, Power Amp.	1	
IC6	AN7210	IC, AM CONV. & FM/AM IF Amp.	1	
IC7	AN7211	IC, FM IF Amp. & FM/AM/SSB DET & METER Amp.	1	
IC8	AN7212	IC, SW 1st L. OSC & MIX	1	
IC901	RV1TD6101P-1	IC, Divider	1	
IC902	RV1M54828P	IC, Counter LSI	1	
Q1, L2	2SK49	Transistor (Ge), FM RF Amp., FM INJ. Buffer	2	
Q2, 3, 4, 907, 908	2SA838	Transistor (Ge), FM L. OSC, FM MIX, Switching, Counter Amp.	5	
Q5, 8, 10	2SC945	Transistor (Si), Meter Amp., AF Amp. RF GAIN CONT.	3	
Q6	2SD367	Transistor (Si), Regulator	1	
Q7	2SB544	Transistor (Ge), Regulator	1	
Q8	2SK104	Transistor (Ge), AM RF Amp.	1	
Q11, 902, 904	2SC1047	Transistor (Si), FM Counter Buffer Counter Pre Amp.	2	
Q901, 905	2SA564	Transistor (Ge), FM/AM Switching	2	
Q903	2SC2001	Transistor (Si), OSC & Power Amp.	1	
Q906	2SC828	Transistor (Si), FM/AM Switching	1	
D2, 7, 8, 902, 903	MA161	Diode (Si), Gain CONT, Switching, RECT	5	Ⓢ
D3, 4, 6	RVDSDL13	Diode (Si), Counter CAL, BFO Pitch CONT, AFC	3	Ⓢ
D5	RVDEQA0105T	Diode (Si), Regulator	1	
D9	RVDKB265F	Diode (Si), Regulator	1	
D10	RVDMZ203B	Diode (Si), Regulator	1	
D14, 16	RVDSM102LF	Diode (Si), Rectifier	2	
THERMISTOR AND RECTIFIER				
Th1	RRT800	Thermistor	1	
Th2	RRT802	Thermistor	1	
CERAMIC FILTERS, COILS AND TRANSFORMERS				
CFL1, 2, 3	RVF107MFR	Ceramic Filter	3	
CF4	RVFBFB455C2	Ceramic Filter	1	
CF5	RVFLFB6A	Ceramic Filter	1	
L2	RLD4M9	Detector Coil, FM	1	
L3	RLF2F152	Antenna Coil, MW	1	

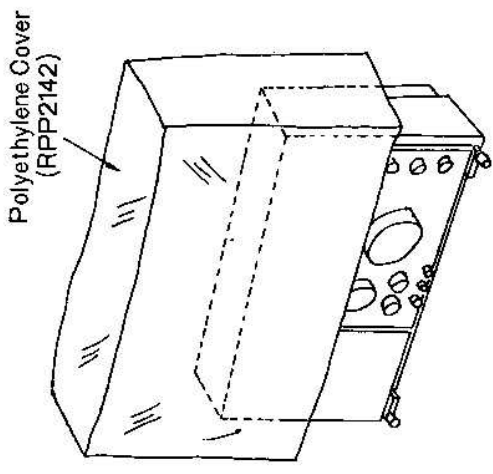


Fig. 31

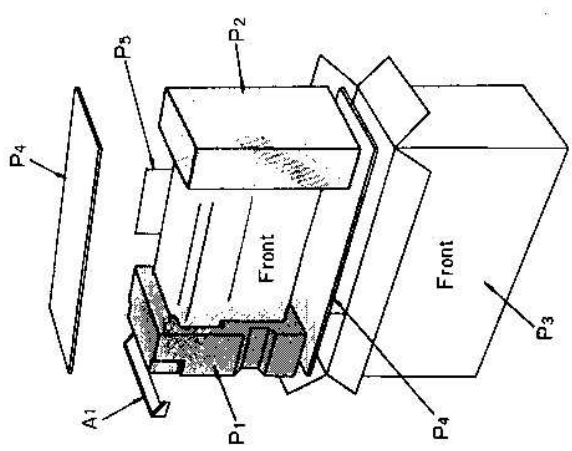


Fig. 32

Ref. No.	Part No.	Part Name & Description	Per Set	Remarks
S3-1, S3-2	RSS2B03Z	Switch, BFO	1	
S4-1, S4-2	RSTX003Y	Switch, Band Width/FM AFC, Power & Light	1	
S5, 5				
RESISTORS				
R1	ERD25TJ104	100K Ω , 1/2Watt, \pm 5%, Carbon	1	(5)
R2	ERD25TJ102	1K Ω , 1/2Watt, \pm 5%, Carbon	1	(5)
R3	ERD25TJ102	1K Ω , 1/2Watt, \pm 5%, Carbon	1	(5)
R4	ERD25TJ474	470K Ω , 1/2Watt, \pm 5%, Carbon	1	(5)
R5	ERD25TJ471	470 Ω , 1/2Watt, \pm 5%, Carbon	1	(5)
R6	ERD25TJ102	1K Ω , 1/2Watt, \pm 5%, Carbon	1	(5)
R8	ERD25TJ102	1K Ω , 1/2Watt, \pm 5%, Carbon	1	(5)
R9	ERD25TJ472	4.7K Ω , 1/2Watt, \pm 5%, Carbon	1	(5)
R10	ERD25TJ104	100K Ω , 1/2Watt, \pm 5%, Carbon	1	(5)
R11	ERD25TJ104	100K Ω , 1/2Watt, \pm 5%, Carbon	1	(5)
R12	ERD25TJ474	470K Ω , 1/2Watt, \pm 5%, Carbon	1	(5)
R13	ERD25TJ472	4.7K Ω , 1/2Watt, \pm 5%, Carbon	1	(5)
R15	ERD25TJ101	100 Ω , 1/2Watt, \pm 5%, Carbon	1	(5)
R16	ERD25TJ220	22 Ω , 1/2Watt, \pm 5%, Carbon	1	(5)
R17	ERD25TJ221	220 Ω , 1/2Watt, \pm 5%, Carbon	1	(5)
R18	ERD25TJ152	1.5K Ω , 1/2Watt, \pm 5%, Carbon	1	(5)
R19	ERD25TJ332	3.3K Ω , 1/2Watt, \pm 5%, Carbon	1	(5)
R21	ERD25TJ221	220 Ω , 1/2Watt, \pm 5%, Carbon	1	(5)
R22	ERD25TJ122	1.2K Ω , 1/2Watt, \pm 5%, Carbon	1	(5)
R23	ERD25TJ102	1K Ω , 1/2Watt, \pm 5%, Carbon	1	(5)
R24	ERD25TJ331	330 Ω , 1/2Watt, \pm 5%, Carbon	1	(5)
R25	ERD25TJ472	4.7K Ω , 1/2Watt, \pm 5%, Carbon	1	(5)
R26	ERCL29M103	10K Ω , 1/2Watt, \pm 20%, Metal Oxide	1	(5)
R30	ERD25TJ102	1K Ω , 1/2Watt, \pm 5%, Carbon	1	(5)
R32	ERD25TJ222	2.2K Ω , 1/2Watt, \pm 5%, Carbon	1	(5)
R33	ERD25TJ181	180 Ω , 1/2Watt, \pm 5%, Carbon	1	(5)
R34	ERD25TJ472	4.7K Ω , 1/2Watt, \pm 5%, Carbon	1	(5)
R35	ERD25TJ104	100K Ω , 1/2Watt, \pm 5%, Carbon	1	(5)
R36	ERD25TJ104	100K Ω , 1/2Watt, \pm 5%, Carbon	1	(5)
R37	ERD25TJ392	3.9K Ω , 1/2Watt, \pm 5%, Carbon	1	(5)
R38	ERD25TJ470	47 Ω , 1/2Watt, \pm 5%, Carbon	1	(5)
R39	ERD25TJ470	47 Ω , 1/2Watt, \pm 5%, Carbon	1	(5)
R40	ERD25TJ475	47K Ω , 1/2Watt, \pm 5%, Carbon	1	(5)
R41	ERD25TJ152	1.5K Ω , 1/2Watt, \pm 5%, Carbon	1	(5)
R42	ERD25TJ103	10K Ω , 1/2Watt, \pm 5%, Carbon	1	(5)
R43	ERD25TJ222	2.2K Ω , 1/2Watt, \pm 5%, Carbon	1	(5)
R45	ERD25TJ273	27K Ω , 1/2Watt, \pm 5%, Carbon	1	(5)
R46	ERD25TJ103	10K Ω , 1/2Watt, \pm 5%, Carbon	1	(5)
R47	ERD25TJ152	1.5K Ω , 1/2Watt, \pm 5%, Carbon	1	(5)
R48	ERD25TJ474	470K Ω , 1/2Watt, \pm 5%, Carbon	1	(5)
R49	ERD25TJ470	47 Ω , 1/2Watt, \pm 5%, Carbon	1	(5)
R50	ERD25TJ104	100K Ω , 1/2Watt, \pm 5%, Carbon	1	(5)
R51	ERD25TJ681	680 Ω , 1/2Watt, \pm 5%, Carbon	1	(5)
R52	ERD25TJ102	1K Ω , 1/2Watt, \pm 5%, Carbon	1	(5)
R56	ERD25TJ474	470K Ω , 1/2Watt, \pm 5%, Carbon	1	(5)
R122	ERD25TJ333	33K Ω , 1/2Watt, \pm 5%, Carbon	1	(5)
R123	ERD25TJ124	120K Ω , 1/2Watt, \pm 5%, Carbon	1	(5)
R124	ERD25TJ104	100K Ω , 1/2Watt, \pm 5%, Carbon	1	(5)
R125	ERD25TJ222	2.2K Ω , 1/2Watt, \pm 5%, Carbon	1	(5)
R126	ERD25TJ682	6.8K Ω , 1/2Watt, \pm 5%, Carbon	1	(5)

Ref. No.	Part No.	Part Name & Description	Per Set	Remarks
L5	RL04N105	Oscillator Coil, FM	1	
L7	RL09M10	L Oscillator Coil, SW 2nd	1	
L8	RL02M14	L Oscillator Coil, MW	1	
L10	RLD7M3	Antenna Coil, SW3	1	
L11	RLA3M30	Antenna Coil, SW2	1	
L12	RLA3M40	Antenna Coil, SW1	1	
L13	RLD4M5	L Oscillator Coil, SW3	1	
L14	RL03M49	L Oscillator Coil, SW2	1	
L15	RL03M48	L Oscillator Coil, SW1	1	
T1	RLI2M212	IFT, AM	1	
T4	RLI2M205	IFT, AM	1	
T6	RLI4M101	Detector Coil, FM	1	
T7	RLI2M204	IFT, AM	1	
T8	RLI9M3	1st IFT, SW	1	
T9	RLI9M4	1st IFT, SW	1	
T901	RLT9E2	Power Transformer, Display	1	
T10	RLT9J322A	Power Transformer	1	
VARIABLE RESISTORS				
VR1, 5.4	EVH0XAF15B54	Variable Resistor, 50K Ω (B), CAL, BFO PITCH, BASS	3	
VR2, 5	EVH0XAF15A54	Variable Resistor, 50K Ω (A), RF GAIN, TREBLE	2	
VR6	EVH0XAF15D54	Variable Resistor, 50K Ω (D), VOLUME	1	(5)
VR44	EVL74AA00B54	Preset, 50K Ω (B), Meter Control	1	
VARIABLE CAPACITORS				
C200, 202, 204	PVC22K20T5L	Tuning Capacitor, W/Trimmer	1	
C205		Capacitor (C201, 203, 206, 207)		
C23, 59	RCV1PX10AGS	Trimmer Capacitor	2	
C25, 27, 49, 52	RCV1PX30AGS	Trimmer Capacitor	4	
COMPONENT COMBINATION AND CRYSTAL				
Z1	RXABFMF1	Component Combination, FM BAND	1	
X901	RVCX5120N5Z	PASS FILTER Crystal, X'tal	1	
SPEAKER				
SP	EAS10P68S	Speaker, Imp. 3.2 Ω , 10cm (4"), PM Dynamic	1	
SWITCHES				
S1-1 ~ S1-10	RSR98W	Switch, Band	1	
S2-1, S2-2	RSS69Z	Switch, Display Switch	1	

Ref. No.	Part No.	Part Name & Description	Per Set	Remarks
R127	ERD25TJ472	4.7K Ω , 1/4Watt, $\pm 5\%$, Carbon	1	⑤
R139	ERD25TJ102	1K Ω , 1/4Watt, $\pm 5\%$, Carbon	1	⑤
R140	ERD25TJ682	6.8K Ω , 1/4Watt, $\pm 5\%$, Carbon	1	⑤
R141	ERD25TJ153	15K Ω , 1/4Watt, $\pm 5\%$, Carbon	1	⑤
R142	ERD25TJ684	680K Ω , 1/4Watt, $\pm 5\%$, Carbon	1	⑤
R143	ERD25TJ332	3.3K Ω , 1/4Watt, $\pm 5\%$, Carbon	1	⑤
R144	ERD25TJ151	150 Ω , 1/4Watt, $\pm 5\%$, Carbon	1	⑤
R145	ERD25TJ682	6.8K Ω , 1/4Watt, $\pm 5\%$, Carbon	1	⑤
R146	ERD25TJ103	10K Ω , 1/4Watt, $\pm 5\%$, Carbon	1	⑤
R147	ERD25TJ472	4.7K Ω , 1/4Watt, $\pm 5\%$, Carbon	1	⑤
R149	ERD25TJ100	10 Ω , 1/4Watt, $\pm 5\%$, Carbon	1	⑤
R151	ERD25TJ333	33K Ω , 1/4Watt, $\pm 5\%$, Carbon	1	⑤
R152	ERD25TJ103	10K Ω , 1/4Watt, $\pm 5\%$, Carbon	1	⑤
R153	ERD25TJ477	4.7 Ω , 1/4Watt, $\pm 5\%$, Carbon	1	⑤
R154	ERD25TJ333	33K Ω , 1/4Watt, $\pm 5\%$, Carbon	1	⑤
R156	ERD25TJ103	10K Ω , 1/4Watt, $\pm 5\%$, Carbon	1	⑤
R157	ERD25TJ103	10K Ω , 1/4Watt, $\pm 5\%$, Carbon	1	⑤
R158	ERD25TJ333	33K Ω , 1/4Watt, $\pm 5\%$, Carbon	1	⑤
R160	ERC120M335	3.3M Ω , 1/4Watt, $\pm 20\%$, Metal Oxide	1	⑤
R201	ERD25TJ471	470 Ω , 1/4Watt, $\pm 5\%$, Carbon	1	⑤
R202	ERD25TJ683	68K Ω , 1/4Watt, $\pm 5\%$, Carbon	1	⑤
R204	ERD25TJ684	680K Ω , 1/4Watt, $\pm 5\%$, Carbon	1	⑤
R205	ERD25TJ477	4.7 Ω , 1/4Watt, $\pm 5\%$, Carbon	1	⑤
R206	ERD25TJ222	2.2K Ω , 1/4Watt, $\pm 5\%$, Carbon	1	⑤
R207	ERD25TJ472	4.7K Ω , 1/4Watt, $\pm 5\%$, Carbon	1	⑤
R208	ERD25TJ102	1K Ω , 1/4Watt, $\pm 5\%$, Carbon	1	⑤
R209	ERD25TJ153	15K Ω , 1/4Watt, $\pm 5\%$, Carbon	1	⑤
R210	ERD25TJ103	10K Ω , 1/4Watt, $\pm 5\%$, Carbon	1	⑤
R211	RRD18XK223	22K Ω , 1/4Watt, $\pm 10\%$, Chip	1	⑤
R902	RRD18XK103	10K Ω , 1/4Watt, $\pm 10\%$, Chip	1	⑤
R903	RRD18XK222	2.2K Ω , 1/4Watt, $\pm 10\%$, Chip	1	⑤
R904	RRD18XK224	220K Ω , 1/4Watt, $\pm 10\%$, Chip	1	⑤
R905	RRD18XK332	3.3K Ω , 1/4Watt, $\pm 10\%$, Chip	1	⑤
R907	RRD18XK680	68 Ω , 1/4Watt, $\pm 10\%$, Chip	1	⑤
R908	RRD18XK681	680 Ω , 1/4Watt, $\pm 10\%$, Chip	1	⑤
R909	ERD25TJ122	1.2K Ω , 1/4Watt, $\pm 5\%$, Carbon	1	⑤
R910	ERD25TJ100	10 Ω , 1/4Watt, $\pm 5\%$, Carbon	1	⑤
R911	RRD18XK103	10K Ω , 1/4Watt, $\pm 10\%$, Chip	1	⑤
R912	RRD18XK682	6.8K Ω , 1/4Watt, $\pm 10\%$, Chip	1	⑤
R913	RRD18XK224	220K Ω , 1/4Watt, $\pm 10\%$, Chip	1	⑤
R914	RRD18XK154	150K Ω , 1/4Watt, $\pm 10\%$, Chip	1	⑤
R915	RRD18XK103	10K Ω , 1/4Watt, $\pm 10\%$, Chip	1	⑤
R916	RRD18XK104	100K Ω , 1/4Watt, $\pm 10\%$, Chip	1	⑤
R917	RRD18XK102	1K Ω , 1/4Watt, $\pm 10\%$, Chip	1	⑤
R918	RRD18XK104	100K Ω , 1/4Watt, $\pm 10\%$, Chip	1	⑤
R919	RRD18XK104	100K Ω , 1/4Watt, $\pm 10\%$, Chip	1	⑤
R920	RRD18XK104	100K Ω , 1/4Watt, $\pm 10\%$, Chip	1	⑤
R921	RRD18XK104	100K Ω , 1/4Watt, $\pm 10\%$, Chip	1	⑤
R922	RRD18XK104	100K Ω , 1/4Watt, $\pm 10\%$, Chip	1	⑤
R923	RRD18XK104	100K Ω , 1/4Watt, $\pm 10\%$, Chip	1	⑤
R924	RRD18XK104	100K Ω , 1/4Watt, $\pm 10\%$, Chip	1	⑤
R925	RRD18XK104	100K Ω , 1/4Watt, $\pm 10\%$, Chip	1	⑤
R927	RRD18XK104	100K Ω , 1/4Watt, $\pm 10\%$, Chip	1	⑤
R928	RRD18XK104	100K Ω , 1/4Watt, $\pm 10\%$, Chip	1	⑤
R929	RRD18XK104	100K Ω , 1/4Watt, $\pm 10\%$, Chip	1	⑤

CAPACITORS

Ref. No.	Part No.	Part Name & Description	Per Set	Remarks
C1	ECOD1H220K	22PF, 50WV, $\pm 10\%$, Ceramic	1	
C2	ECOD1H100KC	10 μ F, 50WV, $\pm 10\%$, Ceramic	1	
C3	ECKD1H102MD	0.001 μ F, 50WV, $\pm 20\%$, Ceramic	1	
C4	ECOD1H040C	4PF, 50WV, ± 0.25 PF, Ceramic	1	
C5	ECKD1H102MD	0.001 μ F, 50WV, $\pm 20\%$, Ceramic	1	
C7	ECOD1H040C	4PF, 50WV, ± 0.25 PF, Ceramic	1	
C8	ECKD1H223ZF	0.022 μ F, 50WV, $\pm 5\%$, Ceramic	1	
C9	ECKD1H102MD	0.001 μ F, 50WV, $\pm 20\%$, Ceramic	1	
C10	ECOD1H390KC	39PF, 50WV, $\pm 10\%$, Ceramic	1	
C11	ECOD1H120KC	12PF, 50WV, $\pm 10\%$, Ceramic	1	
C12	ECKD1H103ZF	0.01 μ F, 50WV, $\pm 5\%$, Ceramic	1	⑤
C13	ECEA1A5470	47 μ F, 10WV, Electrolytic	1	
C14	ECOD1H070DC	7PF, 50WV, ± 0.5 PF, Ceramic	1	
C15	ECFVD104MD	0.1 μ F, 25WV, $\pm 20\%$, Semi-Conductor	1	
C16	ECKD1H223MD	0.022 μ F, 50WV, $\pm 20\%$, Ceramic	1	⑤
C17	ECEA2A5ER2	2.2 μ F, 100WV, Electrolytic	1	
C19	ECOD1H120KC	12PF, 50WV, $\pm 10\%$, Ceramic	1	
C20	ECOD1H150KC	15PF, 50WV, $\pm 10\%$, Ceramic	1	
C21	ECOD1H010C	1PF, 50WV, $\pm 10\%$, Ceramic	1	
C22	ECOD1H180KC	18PF, 50WV, $\pm 10\%$, Ceramic	1	
C24	ECOD1H270KC	27PF, 50WV, $\pm 10\%$, Ceramic	1	
C26	ECOD1H270KC	27PF, 50WV, $\pm 10\%$, Ceramic	1	
C28	ECKD1H102MD	0.001PF, 50WV, $\pm 20\%$, Ceramic	1	
C29	ECKD1H102MD	0.001PF, 50WV, $\pm 20\%$, Ceramic	1	
C30	ECOD1H100KC	10PF, 50WV, $\pm 10\%$, Ceramic	1	
C31	ECOD1H101K	100PF, 50WV, $\pm 10\%$, Ceramic	1	⑤
C32	ECEA1HS100	10PF, 50WV, Electrolytic	1	
C33	ECKD1H103ZF	0.01 μ F, 50WV, $\pm 5\%$, Ceramic	1	
C34	ECKD1H103MD	0.01 μ F, 50WV, $\pm 20\%$, Ceramic	1	
C35	ECFVD223MD	0.022 μ F, 25WV, $\pm 20\%$, Ceramic	1	
C36	ECQ805361JZ	360PF, 50WV, $\pm 5\%$, Styrol	1	
C37	ECOD1H040C	4PF, 50WV, ± 0.25 PF, Ceramic	1	
C38	ECEA1CS330	33 μ F, 16WV, Electrolytic	1	⑤
C39	ECOD1H100KC	10PF, 50WV, $\pm 10\%$, Ceramic	1	
C40	ECKD1H102MD	0.001 μ F, 50WV, $\pm 20\%$, Ceramic	1	
C43	ECKD1H223ZF	0.022 μ F, 50WV, $\pm 5\%$, Ceramic	1	
C44	ECFVD104MD	0.1 μ F, 25WV, $\pm 20\%$, Semi-Conductor	1	
C45	ECKD1H223MD	0.022 μ F, 25WV, $\pm 20\%$, Ceramic	1	
C46	ECOD1H100KC	10PF, 25WV, $\pm 10\%$, Ceramic	1	
C47	ECKD1H103ZF	0.01 μ F, 50WV, $\pm 5\%$, Ceramic	1	
C48	ECQ805681JZ	680PF, 50WV, $\pm 5\%$, Styrol	1	
C50	ECOD1H560K	56PF, 50WV, $\pm 10\%$, Ceramic	1	
C51	ECQ805182KZ	1800PF, 50WV, $\pm 10\%$, Styrol	1	
C53	ECEA1HS100	10PF, 50WV, $\pm 5\%$, Mica	1	
C54	ECOD1H470KU	47PF, 50WV, $\pm 10\%$, Ceramic	1	

Ref. No.	Part No.	Part Name & Description	Per Set	Remarks
C139	ECKD1H152MD	0.0015μF, 50WV ±20%, Ceramic	1	
C141	ECEA2AS010	1μF, 100WV, Electrolytic	1	⑤
C142	ECKD1H103MD	0.01μF, 50WV ±20%, Ceramic	1	
C143	ECFV473MD	0.047μF, 25WV ±20%, Semi-Conductor	1	
C144	ECKD1H472MD	0.0047μF, 50WV ±20%, Ceramic	1	
C145	ECKD1H103MD	0.01μF, 50WV ±20%, Ceramic	1	
C146	ECFV473MD	0.068μF, 25WV ±20%, Semi-Conductor	1	
C147	ECEA1CS471	470μF, 16WV, Electrolytic	1	⑤
C149	ECFV473MD	0.047μF, 25WV ±20%, Semi-Conductor	1	
C150	ECEA50ZR47	0.47μF, 50WV, Electrolytic	1	⑤
C151	ECEA1ES470	47μF, 25WV, Electrolytic	1	⑤
C152	ECKD1H103MD	0.01μF, 50WV ±20%, Ceramic	1	
C153	ECEA1AS221	220μF, 10WV, Electrolytic	1	⑤
C154	ECEA1HS100	10μF, 50WV, Electrolytic	1	⑤
C155	ECCD1H470KC	47PF, 50WV ±10%, Ceramic	1	⑤
C156	ECEA1AS470	47μF, 10WV, Electrolytic	1	⑤
C157	ECEA07S471	470μF, 6.3WV, Electrolytic	1	⑤
C159	ECQG05683MZ	0.068μF, 50WV ±20%, Polyester	1	
C160	ECFV473MD	0.068μF, 25WV ±20%, Semi-Conductor	1	
C173	ECCD1H101K	100PF, 50WV ±10%, Ceramic	1	⑤
C174	ECFV473MD	0.047μF, 25WV ±20%, Semi-Conductor	1	
C175	ECKD1H222MD	0.0022μF, 50WV ±20%, Ceramic	1	
C190	ECEA1CS332	330μF, 16WV, Electrolytic	1	⑤
C181	ECKD1H103ZF	0.01μF, 50WV ±20%, Ceramic	1	
C192	ECKD1H103ZF	0.01μF, 50WV ±20%, Ceramic	1	
C304	ECCD1H101K	100PF, 50WV ±10%, Ceramic	1	⑤
C305	ECCD1H050CC	5PF, 50WV ±0.25PF, Ceramic	1	⑤
C306	ECCD1H560K	56PF, 50WV ±10%, Ceramic	1	
C307	ECFV473MD	0.022μF, 25WV ±20%, Semi-Conductor	1	
C308	ECCD1H101K	1PF, 50WV ±0.25PF, Ceramic	1	
C309	ECKD1H103MD	0.01μF, 50WV ±20%, Ceramic	1	
C310	ECKD1H103ZF	0.01μF, 50WV ±20%, Ceramic	1	
C311	ECKD1H223MD	0.022μF, 50WV ±20%, Ceramic	1	⑤
C312	ECCD1H040C	4PF, 50WV ±0.25PF, Ceramic	1	⑤
C313	ECCD1H102MD	0.001μF, 50WV ±20%, Ceramic	1	
C314	ECKD1H102MD	0.001μF, 50WV ±20%, Ceramic	1	
C315	ECKD1H223MD	0.022μF, 50WV ±20%, Ceramic	1	
C902	ECUX1H101KD	100PF, 50WV ±10%, Chip	1	⑤
C903	ECUX1H331KD	330PF, 50WV ±10%, Chip	1	
C904	ECUX1H223MD	0.022μF, 50WV ±20%, Chip	1	
C905	ECEA2AS2R2	2.2μF, 100WV, Electrolytic	1	⑤
C906	ECUX1H680KC	68PF, 50WV ±10%, Chip	1	⑤
C907	ECEA03S102	1000μF, 6.3WV, Electrolytic	1	⑤
C908	ECUX1H223ZF	0.022μF, 50WV ±20%, Chip	1	⑤
C910	ECEA07S471	470μF, 6.3WV, Electrolytic	1	⑤
C911	ECEA2AS3R3	3.3μF, 100WV, Electrolytic	1	⑤
C912	ECUX1H223MD	0.022μF, 50WV ±20%, Chip	1	
C916	ECEA1AS470	47μF, 10WV, Electrolytic	1	⑤
C917	ECEA1VS330	33μF, 35WV, Electrolytic	1	⑤
C918	ECUX1H223MD	0.022μF, 50WV ±20%, Chip	1	
C919	ECFV473MD	0.1μF, 25WV ±20%, Semi-Conductor	1	
C920	ECQS05271JZ	270PF, 50WV ±5%, Polyester	1	
C922	ECUX1H680KC	68PF, 50WV ±10%, Chip	1	
C923	ECEA1CS471	470μF, 16WV, Electrolytic	1	⑤
C924	ECUX1H223MD	0.022μF, 50WV ±20%, Chip	1	

Ref. No.	Part No.	Part Name & Description	Per Set	Remarks
C55	ECQS05433JZ	4300PF, 50WV ±5%, Styrol	1	
C56	ECKD1H103ZF	0.01μF, 50WV ±20%, Ceramic	1	
C60	ECKD1H103ZF	0.01μF, 50WV ±20%, Ceramic	1	
C62	ECKD1H223ZF	0.022μF, 50WV ±20%, Ceramic	1	
C65	ECQS05102KZ	0.001μF, 50WV ±10%, Styrol	1	
C66	ECKD1H223ZF	0.022μF, 50WV ±20%, Ceramic	1	
C67	ECKD1H103MD	0.01μF, 50WV ±20%, Ceramic	1	
C68	ECKD1H223ZF	0.022μF, 50WV ±20%, Ceramic	1	
C69	ECEA03S471	470μF, 6.3WV, Electrolytic	1	⑤
C70	ECFV473MD	0.068μF, 25WV ±20%, Semi-Conductor	1	
C71	ECKD1H223MD	0.022μF, 50WV ±20%, Ceramic	1	
C72	ECFV473MD	0.068μF, 25WV ±20%, Semi-Conductor	1	
C73	ECCD1H270KC	27PF, 50WV ±10%, Ceramic	1	
C74	ECKD1H223ZF	0.022μF, 50WV ±20%, Ceramic	1	
C75	ECKD1H102MD	0.001μF, 50WV ±20%, Ceramic	1	
C76	ECEA1ES470	47μF, 25WV, Electrolytic	1	⑤
C78	ECKD1H223ZF	0.022μF, 50WV ±20%, Ceramic	1	
C79	ECEA1AS101	100μF, 10WV, Electrolytic	1	⑤
C82	ECKD1H103MD	0.01μF, 50WV ±20%, Ceramic	1	
C83	ECEA1CS330	33μF, 16WV, Electrolytic	1	⑤
C84	ECKD1H103ZF	0.01μF, 50WV ±20%, Ceramic	1	
C85	ECEA1CS330	33μF, 16WV, Electrolytic	1	⑤
C86	ECKD1H223ZF	0.022μF, 50WV ±20%, Ceramic	1	
C87	ECEA1AS221	220μF, 10WV, Electrolytic	1	⑤
C88	ECQG05223MZ	0.022μF, 50WV ±20%, Polyester	1	
C89	ECKD1H223ZF	0.022μF, 50WV ±20%, Ceramic	1	
C90	ECEA1AS100	10μF, 50WV, Electrolytic	1	⑤
C91	ECEA1AS221	220μF, 10WV, Electrolytic	1	⑤
C93	ECMS05121JH	120PF, 50WV ±5%, Mica	1	
C94	ECKD1H223ZF	0.022μF, 50WV ±20%, Ceramic	1	
C95	ECCD1H101K	100PF, 50WV ±10%, Ceramic	1	
C96	ECKD1H103ZK	0.01μF, 50WV ±20%, Ceramic	1	
C97	ECKD1H223ZF	0.022μF, 50WV ±20%, Ceramic	1	
C100	ECFV473MD	0.047μF, 25WV ±20%, Semi-Conductor	1	
C101	ECEA1AS221	220μF, 10WV, Electrolytic	1	⑤
C102	ECEA1HS100	10μF, 50WV, Electrolytic	1	⑤
C103	ECKD1H223MD	0.022μF, 50WV ±20%, Ceramic	1	
C104	ECFV473MD	0.033μF, 25WV ±20%, Semi-Conductor	1	
C105	ECEA1AS221	220μF, 10WV, Electrolytic	1	⑤
C106	ECCD1H331K	330PF, 50WV ±10%, Ceramic	1	
C107	ECKD1H103MD	0.01μF, 50WV ±20%, Ceramic	1	
C108	ECFV473MD	0.022μF, 25WV ±20%, Semi-Conductor	1	
C109	ECCD1H101K	100PF, 50WV ±10%, Ceramic	1	
C112	ECKD1H471KB	470PF, 50WV ±10%, Ceramic	1	
C117	ECCD1H331K	330PF, 50WV ±10%, Ceramic	1	
C118	ECFV473MD	0.068μF, 25WV ±20%, Semi-Conductor	1	
C119	ECCD1H181K	180PF, 50WV ±10%, Ceramic	1	
C120	ECCD1H050CC	5PF, 50WV ±0.25PF, Ceramic	1	
C121	ECKD1H103MD	0.01μF, 50WV ±20%, Ceramic	1	
C122	ECEA1HS100	10μF, 50WV, Electrolytic	1	⑤
C130	ECFV473MD	0.033μF, 25WV ±20%, Semi-Conductor	1	
C131	ECKD1H103MD	0.01μF, 50WV ±20%, Ceramic	1	
C134	ECKD1H103ZF	0.01μF, 50WV ±20%, Ceramic	1	
C135	ECFV473MD	0.033μF, 25WV ±20%, Semi-Conductor	1	
C136	ECFV473MD	0.033μF, 25WV ±20%, Semi-Conductor	1	
C137	ECEA1CS471	470μF, 16WV, Electrolytic	1	⑤
C138	ECFV473MD	0.047μF, 25WV ±20%, Semi-Conductor	1	

Ref. No.	Part No.	Part Name & Description	Per Set	Remarks
E12	RJF116Z	Plug (5P), P.C. Board Socket	1	⑤
E13	RJP142Z	Plug (3P), P.C. Board Socket	1	⑤
E14	RJS218Y-X	Plug (6P), P.C. Board Socket	1	⑤
E15	RJS218Y-X	Socket (7P), P.C. Board	2	
E16	RJS253Y-X	Socket (5P), P.C. Board	1	
E17	RJS112Y-X	Socket (3P), P.C. Board	1	
	XVNR26+C6	Socket (6P), P.C. Board	2	
	XNS8	Screw Dial Gear M'tg	6	
	XWS8AW	Nut, Volume, Bass, Treble & etc. M'tg	6	
	XUC2FY	Washer, Volume, Bass, Treble & etc. M'tg	6	
	XUC6FY	Circlip, Shaft for Band SW	1	
	XXAR3H6S	Circlip, Dial Scale Gear M'tg	1	
		Screw, Dial Scale Gear M'tg	2	

ACCESSORIES				
A1	RJA22Y	Power Cord, AC	1	⑤
	XEH1A1-P	Magnetic Earphone	1	⑤
	RKE234Z	Hood, Dial	1	
	RQC9013Z	Belt, Cabinet	1	

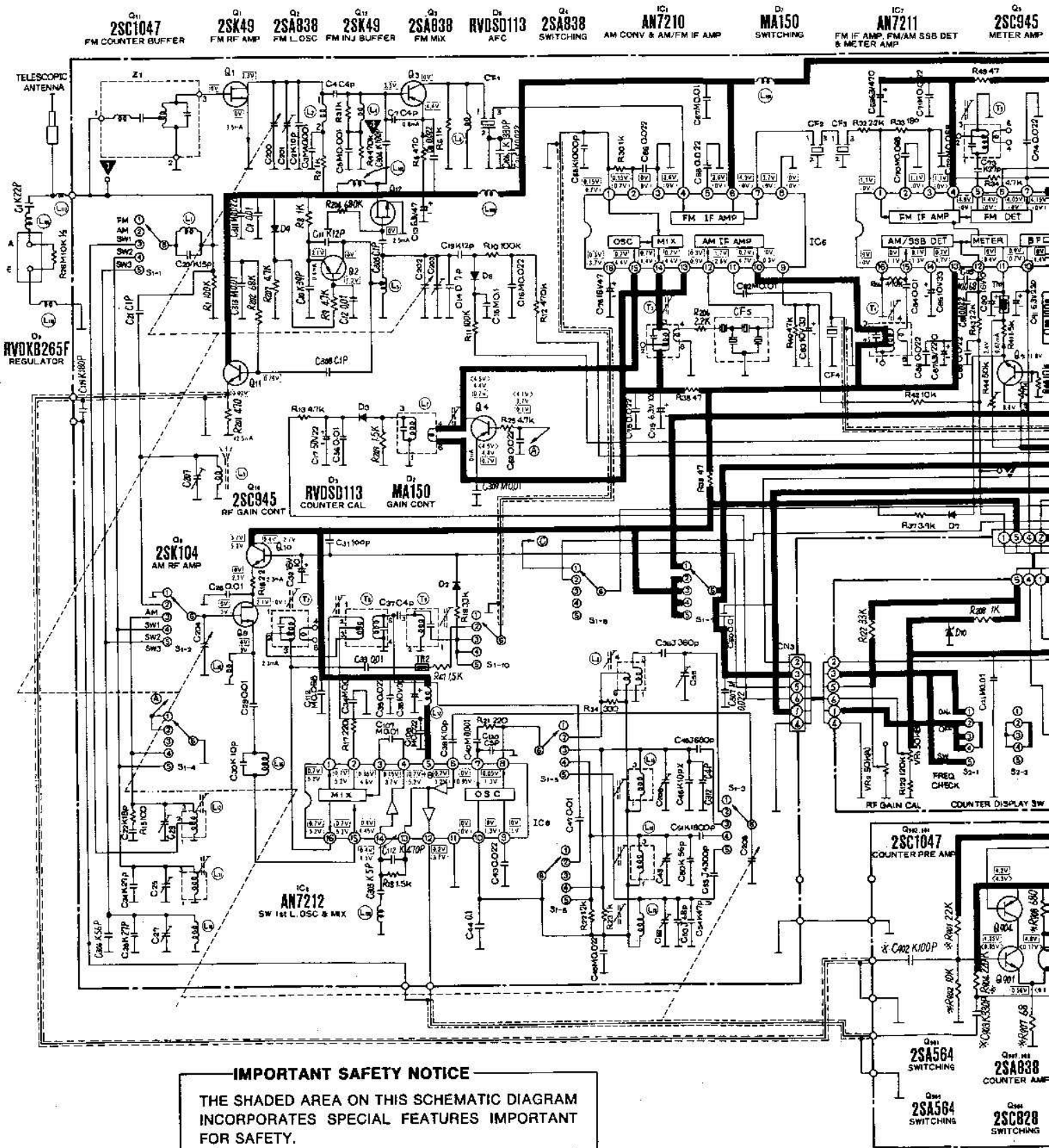
PACKING MATERIALS				
P1	RPN9227Z	Pad Complete	1	
P2	(Not Available, Order)	Pad, Left Side	(1)	
	(Not Available, Order)	Pad, Right Side	(1)	
P3	RPG1994Y	Packing Case, For USA	1	
P4	RPNI745Z	Packing Case, For Canada	2	
P5	RQX6349Z	Pad	1	
P5	RQX6373Z	Instruction Book, For USA	1	
P5	RQX9154Z	Instruction Book, For Canada	1	
P5	RQX9158Z	SW Manual, For USA	1	
		SW Manual, For Canada	1	

Ref. No.	Part No.	Part Name & Description	Per Set	Remarks
C925	ECEA2AS4R7	4.7µF, 100WV, Electrolytic	1	⑤
C927	ECEA1AS470	47µF, 10WV, Electrolytic	1	⑤
C929	ECFVY104MD	0.1µF, 25WV, ±20%, Semi-Conductor	1	⑤
C931	ECFVY473MD	0.047µF, 25WV, ±20%, Semi-Conductor	1	
C940	ECEACJS102	1000µF, 6.3WV, Electrolytic	1	
C941	ECUXLH820KC	82PF, 50WV, ±10%, Chip	1	
C942	ECCD1H331K	330PF, 50WV, ±10%, Ceramic	1	

CABINET				
K1	RYMF2900M	Cabinet Body Assembly	1	
K2	RYFP2900M	Cabinet Cover Assembly	1	
	RJF1065Z	Terminal, EXT. ANT.	2	
K2-1	RJC205B	Terminal, Battery ⊕ Side	1	
K2-2	RJC111A	Terminal, Battery ⊕ Side	1	
K2-3	RJC505Z	Terminal Spring, Battery ⊖ Side	1	
K2-4	RJC508Z	Terminal Spring, Battery ⊖ Side	1	
K2-5	RJC509Z	Terminal Spring, Battery ⊖ Side	1	
	RJT398A	Connecting Pipe, Battery Terminal ⊖ Side	1	
K3	RYNF2800M	Battery Cover Assembly	1	
K4	RYT1F2800N	Knob Assembly, Volume	1	
K5	RYT2F2800N	Knob Assembly, Tuning	1	
K6	XEAT160GEY	Telescopic Antenna, 7 Steps, 960mm	1	
K7	RBW361Z	Knob, Bass, Treble, Pitch etc.	4	
K8	RBNA20Z	Knob, SW cal	1	
K9	RBS112Z	Knob, Band	1	
K10	RBE13Y	Knob, Power	1	
K11	RBE13X	Knob, Light, FM AFC/Band Width	2	
	RHG886Y	Rubber, Speaker	1	
K12	XTN3+25C	Screw, Cabinet Cover M'tg	6	

CHASSIS				
E1	RSG8ZS	Dial Mechanism Assembly	1	
E2	RYDF2800M	Dial Scale Assembly	1	
E3	RXEP2800M	Dial Scale Chassis Assembly	1	
E4	RDG5656Z	Gear, Dial	1	
E5	RDG5658Z	Gear, Dial Scale	1	
E6	RDV2Z	Belt, Dial	1	
E7	XAMR45S100A	Pilot Lamp, 9V, 60mA	1	
E8	RSM2616Z	Meter, Tune/Battery	1	
	RAD5-BT-11	Display	1	
E9	RJJ62B	Jack, RP, EXT. SP, MPX-OUT, REC-OUT	3	⑤
E10	RJ3112Z	Jack, AC IN	1	
	RUS313Z	Spring, IC4	1	
	RUS323Z	Spring, Dial Scale	1	
	RUS295Z	Spring, Dial Drum	1	
E11	RUV482Z	Cover, AC IN Jack	1	
	RJP119Z	Plug (7P), P.C. Board Socket	2	

Schematic Diagram - Mod



IMPORTANT SAFETY NOTICE

THE SHADED AREA ON THIS SCHEMATIC DIAGRAM INCORPORATES SPECIAL FEATURES IMPORTANT FOR SAFETY. WHEN SERVICING IT IS ESSENTIAL THAT ONLY MANUFACTURER'S SPECIFIED PARTS BE USED FOR THE CRITICAL COMPONENTS IN THE SHADED AREAS OF THE SCHEMATIC.

Model RF-2900 ©

