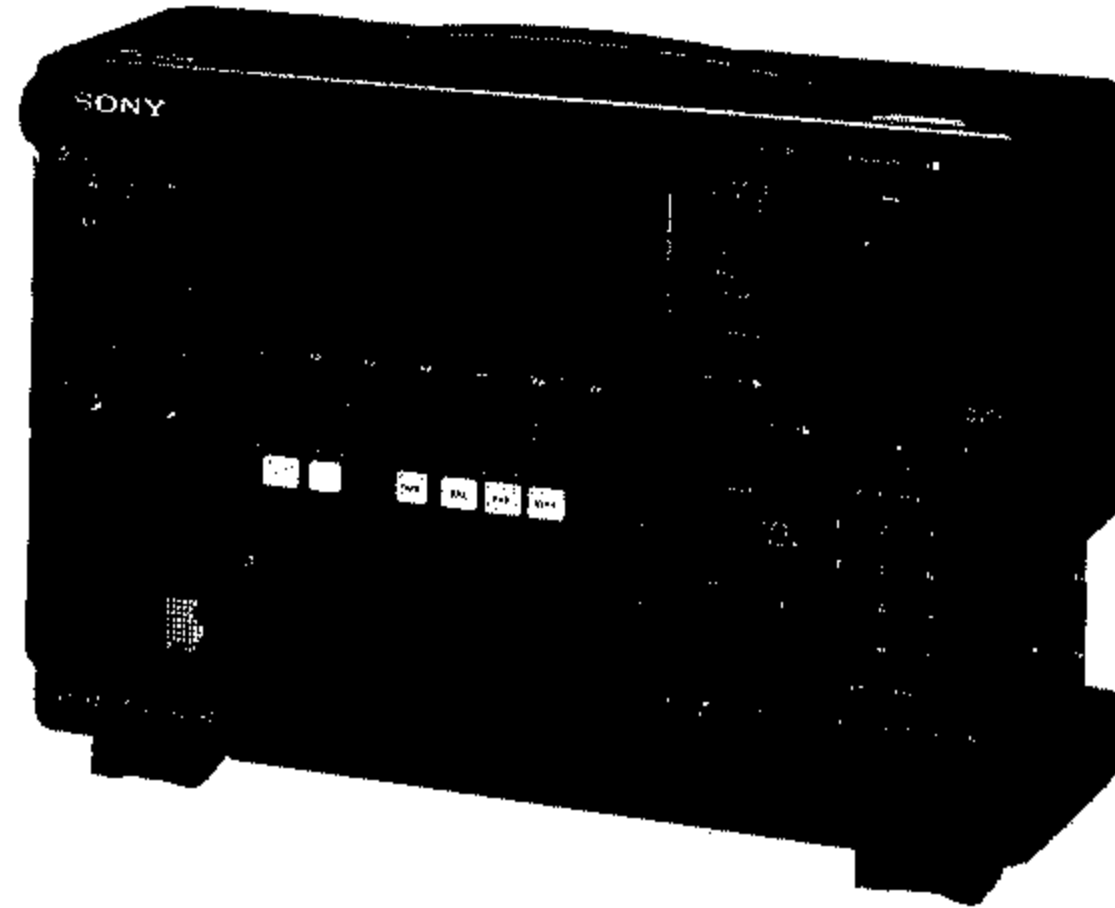


# CRF-V21

## SERVICE MANUAL

*US Model  
AEP Model  
UK Model  
E Model*



Refer to BCA-70 Service Manual issued previously for information of battery charger supplied with this set.

### SPECIFICATIONS

#### Radio section

- Circuit system** LW/MW/SW: Dual conversion superheterodyne  
FM: Single conversion superheterodyne
- Frequency range** LW/MW/SW: 9kHz-29.99999MHz  
FM: 87.5MHz-108MHz (AEP model)  
76MHz-108.09998MHz (US, 1-AEP, UK, E model)  
SAT: 137.62/141.12MHz (when the AN-P1200 is connected: 1.691GHz/1.6945GHz)
- Detection mode** AM WIDE, AM NARROW, SYNC-USB, SYNC-LSB, SSB-USB, SSB-LSB/CW, N.B. FM
- Intermediate frequency** LW/MW/SW: 55.845MHz (first), 455kHz (second)  
FM/SAT: 10.7MHz
- Sensitivity** (measured at the external antenna connector)  
9kHz-49.99kHz: 30dB $\mu$ V (30 $\mu$ V) (AM WIDE, S/N = 6dB)  
50kHz-1.99999MHz: 20dB $\mu$ V (10 $\mu$ V) (AM WIDE, S/N = 6dB)  
2MHz-29.99999MHz: 0dB $\mu$ V (1 $\mu$ V) (AM WIDE), -15dB $\mu$ V (0.17 $\mu$ V) (SSB, S/N = 6dB)  
76MHz-108.09998MHz: 10dB $\mu$ V (3 $\mu$ V) (FM, S/N = 30dB)

#### Selectivity

Mode Band width	AM WIDE	AM NARROW	SSB	FAX/RTTY	N.B.FM
-6dB	$\pm$ 3.0kHz	$\pm$ 1.35kHz	$\pm$ 1.35kHz	$\pm$ 1.75kHz	$\pm$ 7.0kHz
-50dB	$\pm$ 7.0kHz	$\pm$ 3.0kHz	$\pm$ 3.0kHz	$\pm$ 3.6kHz	$\pm$ 12.5kHz

#### Antenna

External antenna connector: BNC connector, impedance 50 ohms  
Supplied antenna (AN-V21): Telescopic antenna, ferrite bar antenna

#### Image frequency interference ratio

More than 70dB

#### IF interference ratio

More than 80dB

#### FAX/RTTY/satellite FAX broadcast section

- FAX** Drum speed: 60, 90, 120, 240rpm  
Index of Cooperation: H (576), L(288)
- RTTY** Transmission speed: BAUDOT 60, 66, 75, 100WPM  
ASCII 110, 200, 300, 600bps
- Satellite FAX** Drum speed: 120, 240rpm  
Index of Cooperation: H (576), L(288)

- Continued on next page -

VISUAL WORLD-  
BAND RECEIVER  
**SONY**®



**RS-232C section (Except US model)**



**Data transfer rate** 300, 600, 1200, 2400, 4800bps  
**Data length** Data: 8bit  
 Stop bit: 1 or 2 bit  
**Parity check** Even, Odd, None


**General**

**Speaker** 70×45mm (2<sup>7</sup>/<sub>8</sub>×1<sup>1</sup>/<sub>2</sub> in.) (8 ohm)  
**Maximum power output** 1.7W (at 10% harmonic distortion with 8-ohm load)  
**Outputs** REC OUT jack (stereo minijack, 1)  
 Output level: 245mV (-10dB)  
 Output impedance 1 kilohm  
 Earphone jack (stereo minijack, 1)  
 Load impedance 8 ohms  
 External speaker jack (minijack, 1)  
 Load impedance 4-16 ohms  
 Maximum power output: 0.6W (10% distortion with 8-ohm load)  
 REMOTE jack  
 Maximum permissible electric current: 500mA  
**Inputs** P.B. INPUT jack  
 Input level: 245mV (-10dB)  
 Input impedance 47kilohms  
**RS-232C connector** Mini DIN 8-pin connector  
**Power requirements** For operation: DC 6V  
 supplied rechargeable battery NP-22H (AC operation is also available with the supplied AC power adaptor.)  
 For computer/clock: DC 3V  
 two R6 (size AA) batteries  
**Battery life** For operation: Approx. 5.5H when receiving FM broadcasts, and approx. 3H when printing FAX broadcasts (using the supplied rechargeable battery NP-22H)  
 For computer/clock: Approx. 1 year using the Sony battery SUM-3 (NS)  
**Environmental temperatures** 0°C-40°C  
**Dimensions** 412×285×169mm (16<sup>1</sup>/<sub>4</sub>×11<sup>3</sup>/<sub>4</sub>×6<sup>3</sup>/<sub>4</sub> in.) (w/h/d)  
**Weight** Approx. 9.5kg (21 lb) incl. the rechargeable battery and printer paper  
**Accessories supplied** AC power adaptor (1)  
 Rechargeable battery (1)  
 Battery charger (1)  
 Active antenna  
 Telescopic antenna, antenna unit (1)  
 Antenna holder (1)  
 Antenna cable (1)  
 Antenna cable reel (1)  
 Plug, plug adaptor (1 set)  
 Dust cover (1)  
 Printer paper (3)  
 Self-bonding tape (1)  
 RS-232C connecting cable (1) . . . . . (Except US model)  
 Operating Instructions (1)  
 Guide (1)  
 Wave Handbook (1)  
 Quick Reference (1)  
**Optional accessories** Printer paper UPP-21 3P  
 Rechargeable battery NP-22H  
 Weather satellite antenna (provided with the frequency converter) AN-P1200

Design and specifications subject to change without notice.

**Note**  
 This appliance conforms with EEC Directives 76/889 and 82/499 regarding interference suppression.

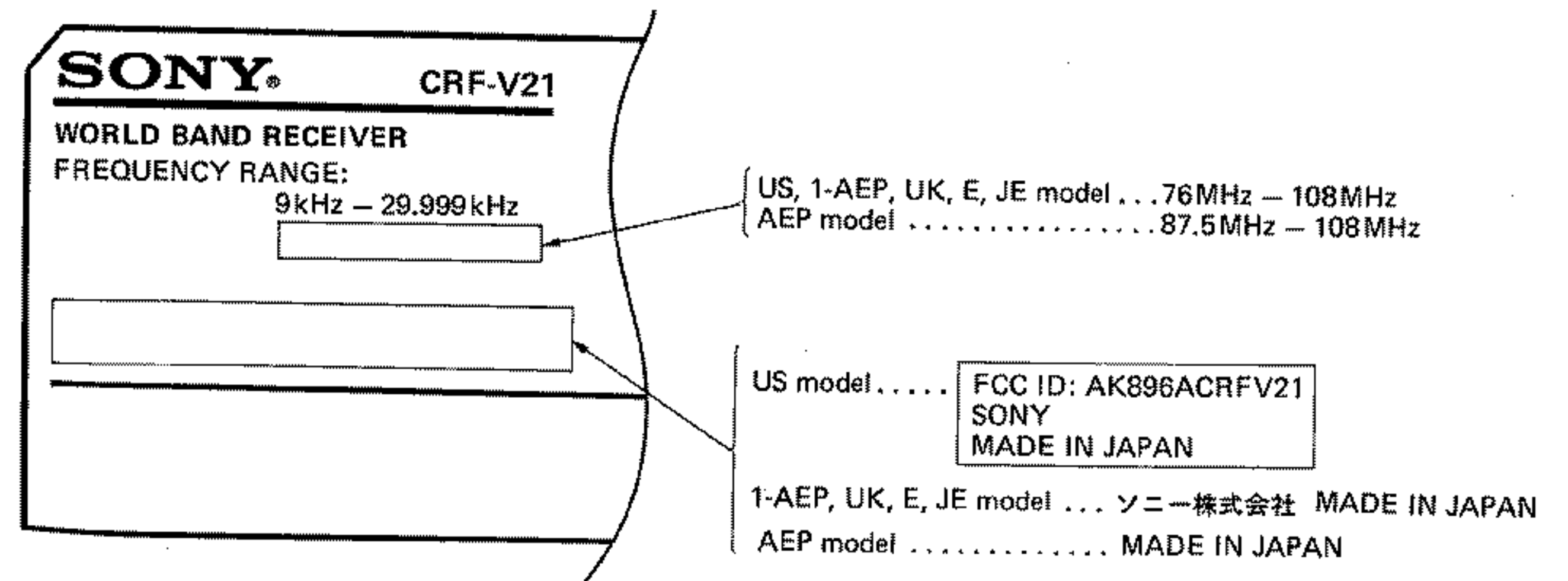
**SAFETY-RELATED COMPONENT WARNING!!**  
 COMPONENTS IDENTIFIED BY MARK  OR DOTTED LINE WITH MARK  ON THE SCHEMATIC DIAGRAMS AND IN THE PARTS LIST ARE CRITICAL TO SAFE OPERATION. REPLACE THESE COMPONENTS WITH SONY PARTS WHOSE PART NUMBERS APPEAR AS SHOWN IN THIS MANUAL OR IN SUPPLEMENTS PUBLISHED BY SONY.

**ATTENTION AU COMPOSANT AYANT RAPPORT À LA SÉCURITÉ!**  
 LES COMPOSANTS IDENTIFIÉS PAR UNE MARQUE  SUR LES DIAGRAMMES SCHÉMATIQUES ET LA LISTE DES PIÈCES SONT CRITIQUES POUR LA SÉCURITÉ DE FONCTIONNEMENT. NE REMPLACER CES COMPOSANTS QUE PAR DES PIÈCES SONY DONT LES NUMÉROS SONT DONNÉS DANS CE MANUEL OU DANS LES SUPPLÉMENTS PUBLIÉS PAR SONY.

**TABLE OF CONTENTS**

Section	Title	Page	Section	Title	Page
SPECIFICATIONS		1	4-10.	Schematic Diagram (Local OSC Section)...	34
MODEL IDENTIFICATION		3	4-11.	Schematic Diagram (SAT Decoder/IF Amp/AF Amp/Power Supply Section) .....	37
SECTION 1. SERVICING NOTE		4	4-12.	Printed Wiring Boards (Micro Computer Section).....	42
SECTION 2. GENERAL		5	4-13.	Schematic Diagram (Micro Computer Power Supply Section)...	45
2-1.	Organization of This Receiver	5	4-14.	Schematic Diagram (Main Control Section) .....	47
2-2.	Overview of This Receiver	6	4-15.	Schematic Diagram (Printer/LCD Control Section).....	52
2-3.	On the Detection Modes	7	4-16.	Printed Wiring Boards (Timer/10 Key/Function Key Section)...	55
2-4.	On the Scanning Frequency Interval (Scan Step).....	8	4-17.	Schematic Diagram (Timer/10 Key/Function Key Section)....	57
2-5.	Pin Connection of Supplied RS-232C Cable	8	4-18.	Schematic Diagram (Printer Section).....	60
SECTION 3. DISASSEMBLY		9	4-19.	Printed Wiring Boards (Printer Section).....	63
SECTION 4. DIAGRAMS			4-20.	Printed Wiring Boards (AC Adaptor).....	65
4-1.	Circuit Boards Location	11	4-21.	Schematic Diagram (AC Adaptor).....	67
4-2.	Block Diagram	12	4-22.	IC Block Diagrams (Radio Section) .....	69
4-3.	Frame Schematic Diagram	15	SECTION 5. EXPLODED VIEWS		70
4-4.	Semiconductor Lead Layouts	17	SECTION 6. ELECTRICAL PARTS LIST		84
4-5.	Printed Wiring Boards (Active Antenna)....	19			
4-6.	Schematic Diagram (Active Antenna).....	21			
4-7.	Printed Wiring Boards (Radio Section TYPE-1) .....	23			
4-8.	Printed Wiring Boards (Radio Section TYPE-2) .....	26			
4-9.	Schematic Diagram (RF AMP/Mixer Section) .....	31			

**MODEL IDENTIFICATION**  
 — Model Number Label —



**SECTION 1  
SERVICING NOTE**

**1-1. FLEXIBLE CIRCUIT BOARD REPAIRING**

- Keep the temperature of the soldering iron around 270°C during repairing.
- Do not touch the soldering iron on the same conductor of the circuit board (within 3 times).
- Be careful not to apply force on the conductor when soldering or unsoldering.

**1-2. NOTES ON CHIP COMPONENT REPLACEMENT**

- Never reuse a disconnected chip component.
- Notice that the minus side of a tantalum capacitor may be damaged by heat.

**1-3. TYPE-1, TYPE-2**

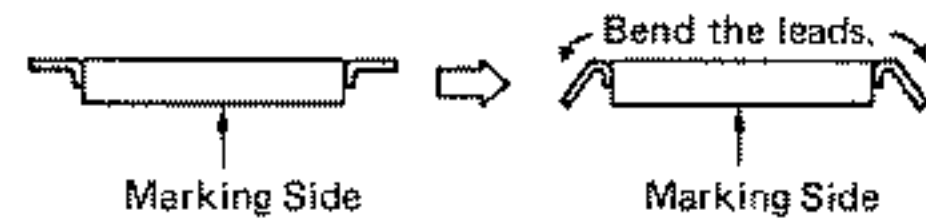
Printed wiring boards and schematic diagram have been partly changed from serial number 10,075 later. Changed portions are classified into TYPE-1 and TYPE-2 according to serial number.

Type	Serial No.	Part No. Suffix on each board
TYPE-1	Up to 10,074	1-628-000-11
TYPE-2	10,075 and later	1-628-000-12

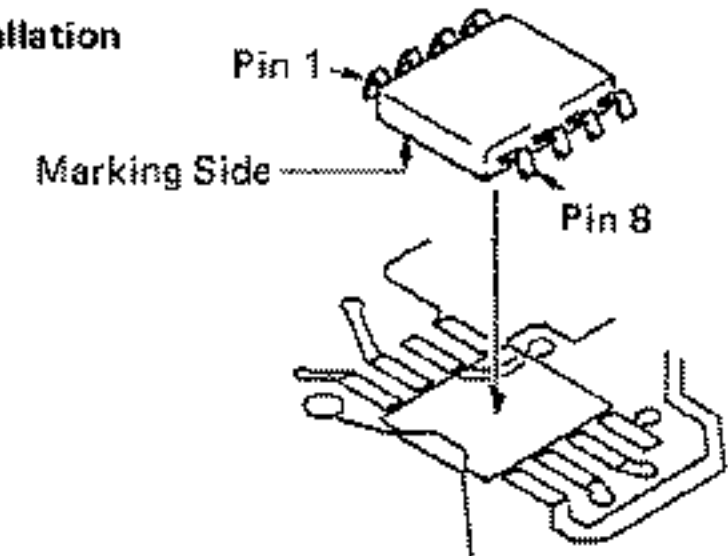
**1-4. NOTE ON REPLACING IC605 (TYPE-1 set only)**

When replacing IC605 on VR board in TYPE-1 set, bend the leads of IC605 and install marking side down as illustrated below.

• Processing of IC605

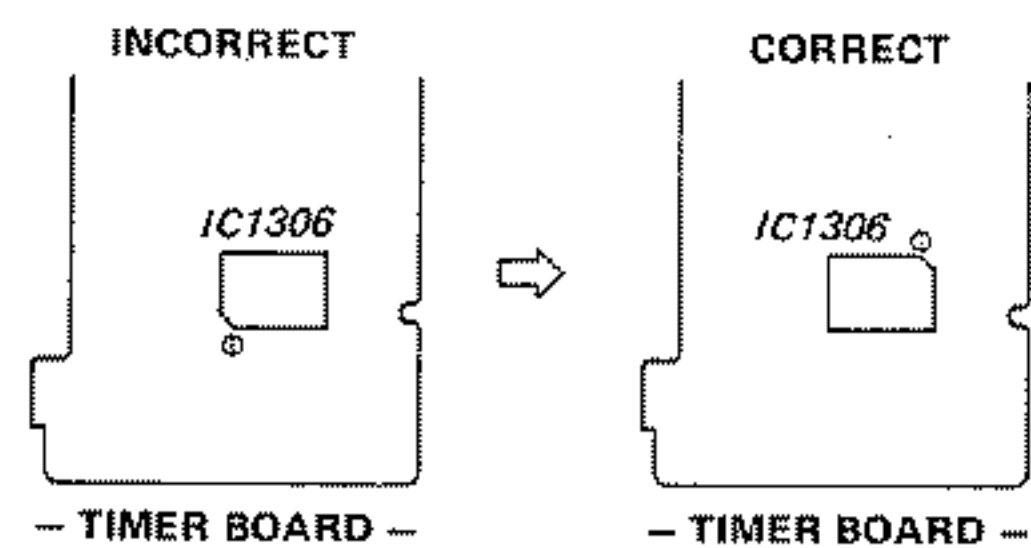


• IC605 installation



**1-5. NOTE ON REPLACING IC 1306**

Symbol mark of IC1306 on timer board is incorrect in TYPE-1 set. When replacing IC1306, install it as shown in correct illustration.



**1-6. DESTINATION CODE**

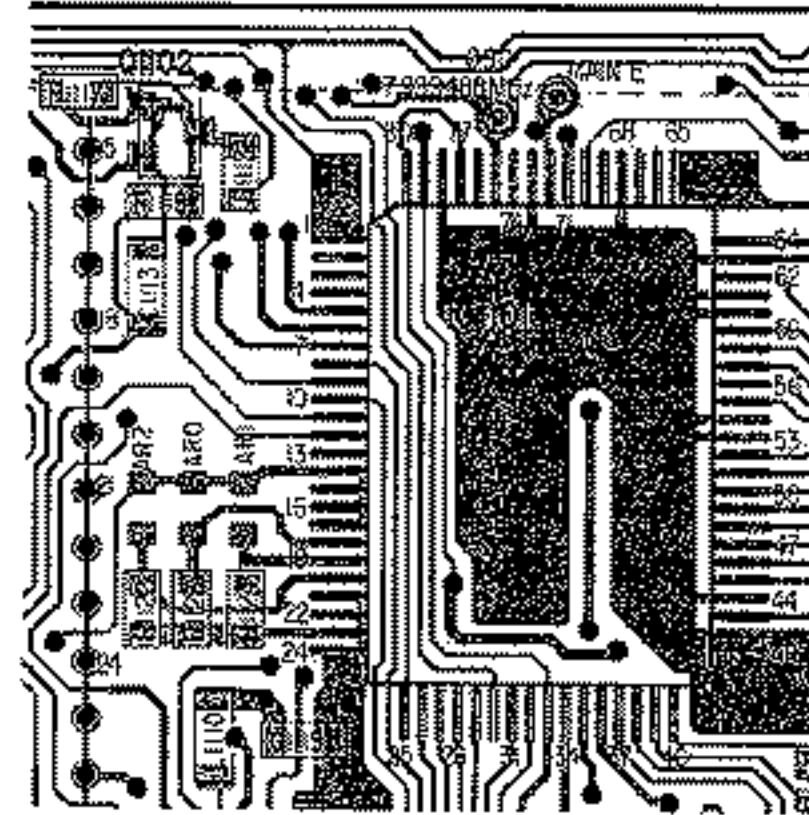
Pin 18 - 21 of main cpu (IC1101) are destination code input pins.

Destination can be set by changing the connection of R1122, R1123, and R1124.

— US, 1-AEP, UK, E, JE model —

(FM Frequency range: 76MHz - 108.09998MHz)

— MICRO COMPUTER BOARD —

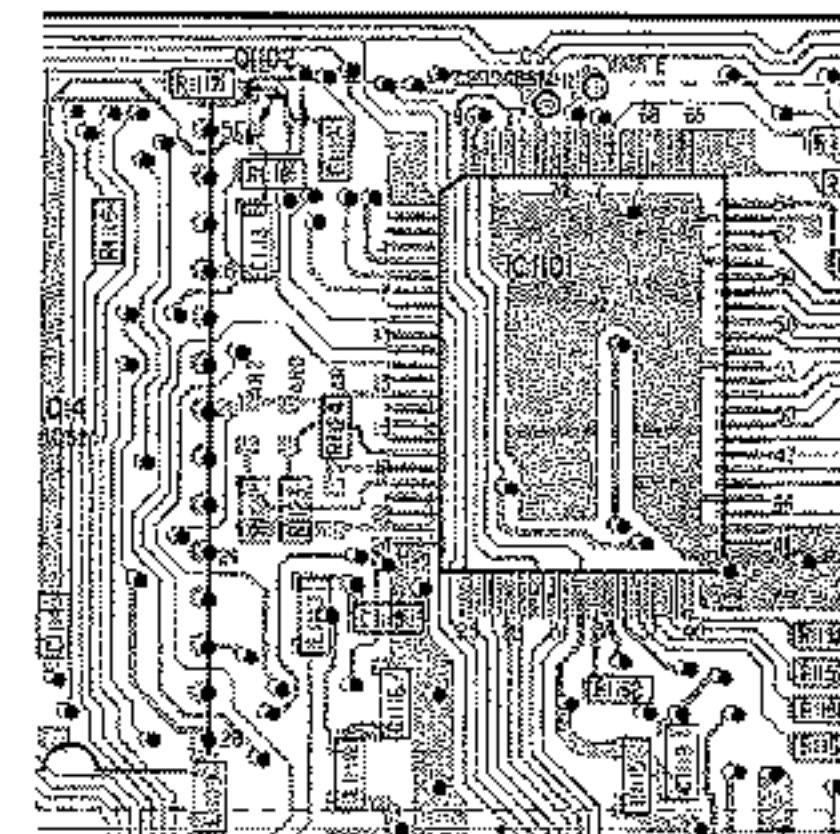


- R1122, R1123, and R1124 location on printed wiring board.

— AEP model —

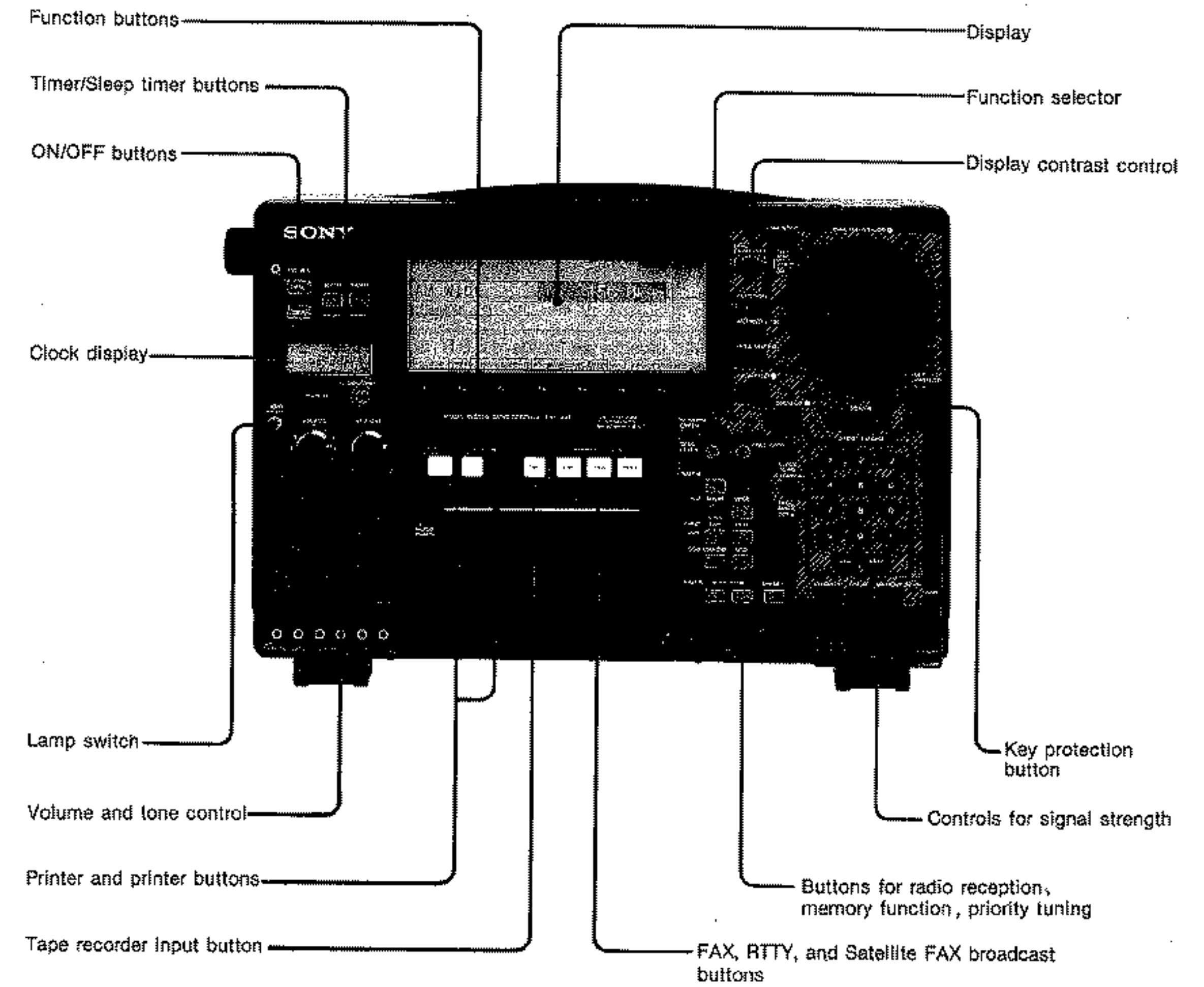
(FM Frequency range: 87.5MHz - 108MHz)

— MICRO COMPUTER BOARD —

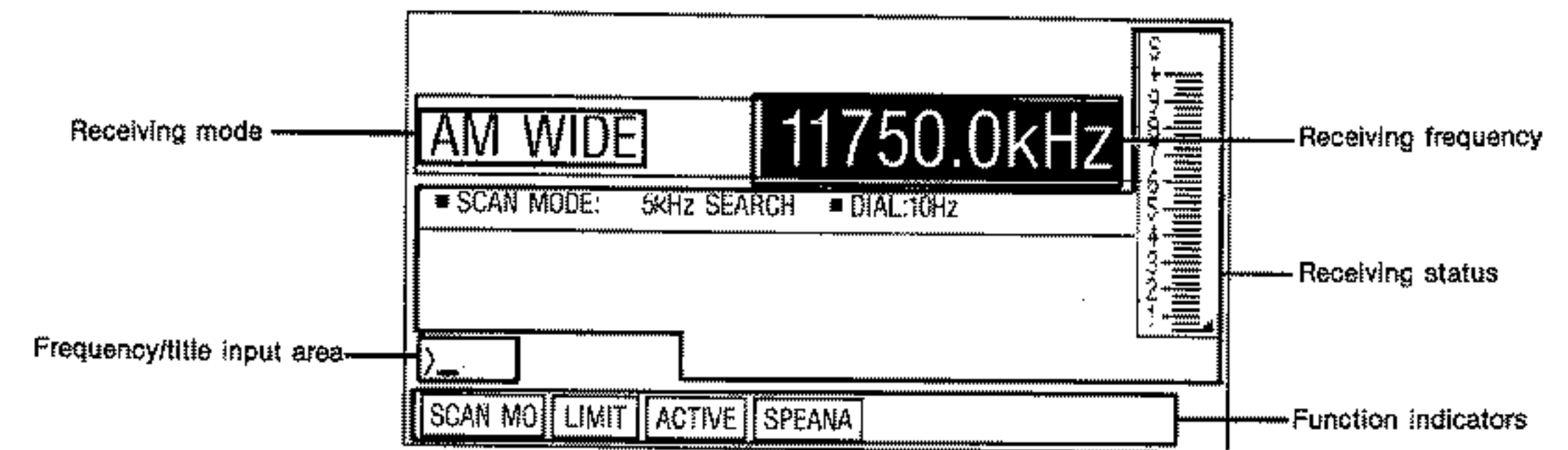


**SECTION 2  
GENERAL**

**2-1. Organization of This Receiver**



**Display**



## 2.2. Overview of This Receiver

This receiver covers the world-wide frequency range, and is equipped with various convenient functions.

**Wide frequency coverage and various receiving mode**  
This receiver covers LW to SW and FM band frequencies, and various receiving modes such as SSB or NARROW FM. You can receive, therefore, not only general radio broadcasts (both domestic and international), but also ham radio or business radio.

**Graphic information broadcasts (FAX or RTTY broadcast) receivable**

You can receive and print graphic information such as

**What You Can Do with This Receiver**

You can receive general radio, ham radio, or business radio broadcasts, as listed below.

**General radio broadcasts**

Type of broadcasting	Content	
AM	LW	Domestic broadcasts (in the U.S.S.R. and Europe)
	MW	Domestic broadcasts of your country
	SW	Domestic and international broadcasts of each country
FM	Domestic broadcasts of your country	

**Ham or business radio**

Type of broadcasting	Content
SSB(USB, LSB), NARROW FM	Ham radio or business radio broadcasts such as for fishing, aviation, etc.
CW	The Morse codes

You can receive and print the following graphic information broadcasts.

**FAX broadcast :** weather charts or weather pictures

**RTTY broadcast :** Data in letters or figures

**Satellite FAX broadcast (The optional weather satellite antenna AN-P1200 is required):** weather pictures sent from the satellites  
Broadcasts from the weather satellite GOES, METEOSAT, GMS are receivable with this receiver. As for which satellite you can receive in your location, see "GUIDE".

You can use the following functions according to your needs.

**Storing the stations into memory(Memory function)**

This function helps you to receive the stations easily. Up to 350 stations can be stored.

**Searching for the stations on air automatically (Scan tuning)**

This function is convenient when you are not sure of the frequency of the desired station, or when you want to search for the stations on air.

**Making a graph of signal strength(Spectrum analyzer function)**

You can make a graph of signal strength within the preset frequency range on the display. This function enables you to search for the stations with sufficient signal strength visually.

**Receiving or printing automatically (Timer function)**

You can receive or print broadcasts even when you are not available.

**Turning off the receiver automatically (Sleep timer)**

You can turn off the receiver automatically after 60 minutes.

**Recording the broadcasts or the memory data on a tape**

- **Recording the broadcasts**  
You can record not only the sound of radio broadcasts, but also the graphic information of FAX/RTTY/satellite FAX broadcasts. You can print the recorded data of a FAX/RTTY/satellite FAX broadcast later. Use this function when you want to print the same data more than once, or when you want to print it at different printing conditions.

- **Recording the memory data (Memory data saving/loading)**

You can recall the recorded memory data later. This

function prevents the memory data from being erased accidentally, and enables you to store more stations than the memory capacity (350 stations).

**Convenient functions**

Versatile functions help you to receive and print the broadcasts satisfactorily and easily.

**Usable outdoors**

You can use the receiver outdoors as it can be battery-operated as well.

weather charts broadcast by the meteorological agency. If you connect the optional weather satellite antenna AN-P1200, you can also receive pictures sent from the weather satellites.

## 2.3. On the Detection Modes

There are two kinds of modulation in radio broadcasts, FM and AM. They are divided into several broadcasting types as follows. You need to select the detection mode of this receiver according to each type.

Content	Broadcasting type	Display
AM AM broadcasts including international broadcasts using the SW band	DSB (Double side band)	AM WIDE AM NARROW
	SSB (Single side band)	USB (Upper side band)
LSB (Lower wide band)		SSB LSB
FM FM broadcasts including audio signals of TV broadcasts	WIDE FM	WIDE FM
	NARROW FM	N.B.FM

Further, there are the following detection modes to improve reception of the DSB type of AM broadcasts. In these modes, the receiver makes the receiving band width narrower to reduce signal interference.

AM DSB	Detection mode		Display
	WIDE	Synchronous detection	SYNC USB
SYNC LSB			AM WIDE SYNC LSB
AM NARROW		AM NARROW	
Synchronous detection		SYNC USB	AM NARROW SYNC USB
	SYNC LSB	AM NARROW SYNC LSB	

### On detection mode and frequency

This receiver stores the detection mode designated last\* for each frequency group listed below. For example, once you change the mode to NARROW FM when you are receiving 29MHz, NARROW FM is automatically selected next in the frequency group of 26.1MHz to 29.9999MHz.

Frequency group	Initial setting of the detection mode
9kHz - under 150kHz	AM WIDE
150kHz - 285kHz	
285kHz - 530kHz	
530kHz - 1620kHz	
1620kHz - 26.1MHz	
26.1MHz - 29.9999MHz	WIDE FM (fixed)
76MHz - 108.1MHz (US, 1-AEP, UK, E model) 87.5MHz - 108MHz (AEP model)	

**If you select the FAX or RTTY mode**

The FAX or RTTY mode is automatically selected next in the corresponding frequency group. For example, once you receive 3000kHz in the FAX mode, the FAX mode is automatically selected next in the frequency group of 1620kHz to 26.1MHz.

\*If the receiver scans the stored stations (memory scan tuning), the detection mode for each frequency group will be changed to those stored, even if no station is received then.

## SECTION 3 DISASSEMBLY

### 2-4. On the Scanning Frequency Interval (Scan Step)

#### Function

The receiver scans at the preset frequency interval. The scan step is initially set as in the table below.

Band	Frequency	Initial scan step setting
LW	9 kHz or more—less than 150 kHz	3 kHz
	150 kHz—285 kHz	3 kHz
	285 kHz—530 kHz	3 kHz
MW	530 kHz—1620 kHz	9 kHz
	1620 kHz—26.1 MHz	5 kHz
SW	26.1 MHz—29.99999 MHz	5 kHz
FM	76 MHz—108.1 MHz (for countries other than in Europe)	50 kHz
	87.5 MHz—108 MHz (for the European countries)	

If the frequency of the received station is 9500 kHz, for example, the receiver scans from 9500kHz→9505kHz→9510 kHz, as the scan step is 5kHz in this frequency range.

#### Operation

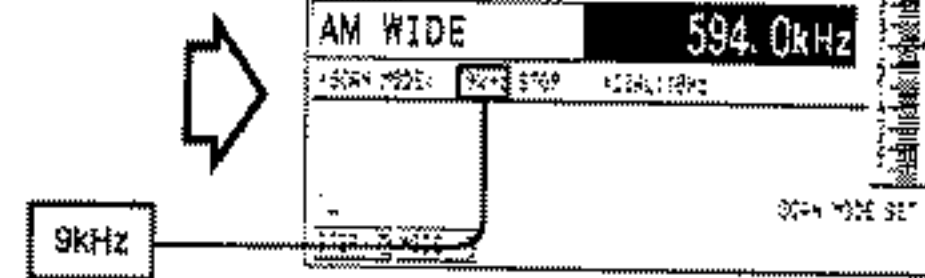
##### To change the scan step setting

Display the scan setting screen, and press [F1].

STEP



The setting changes as follows:  
1→3→5→9→10→12.5→25→50 kHz



The receiver stores the last scan step used. For example, when you change the scan step to 1kHz when the displayed frequency is 500kHz, the receiver will scan at 1kHz intervals in the range between 285kHz and 530kHz from the next time on.

### 2-5. Pin Connection of Supplied RS-232C Cable (Except US model)

#### Pin Assignment of the connectors

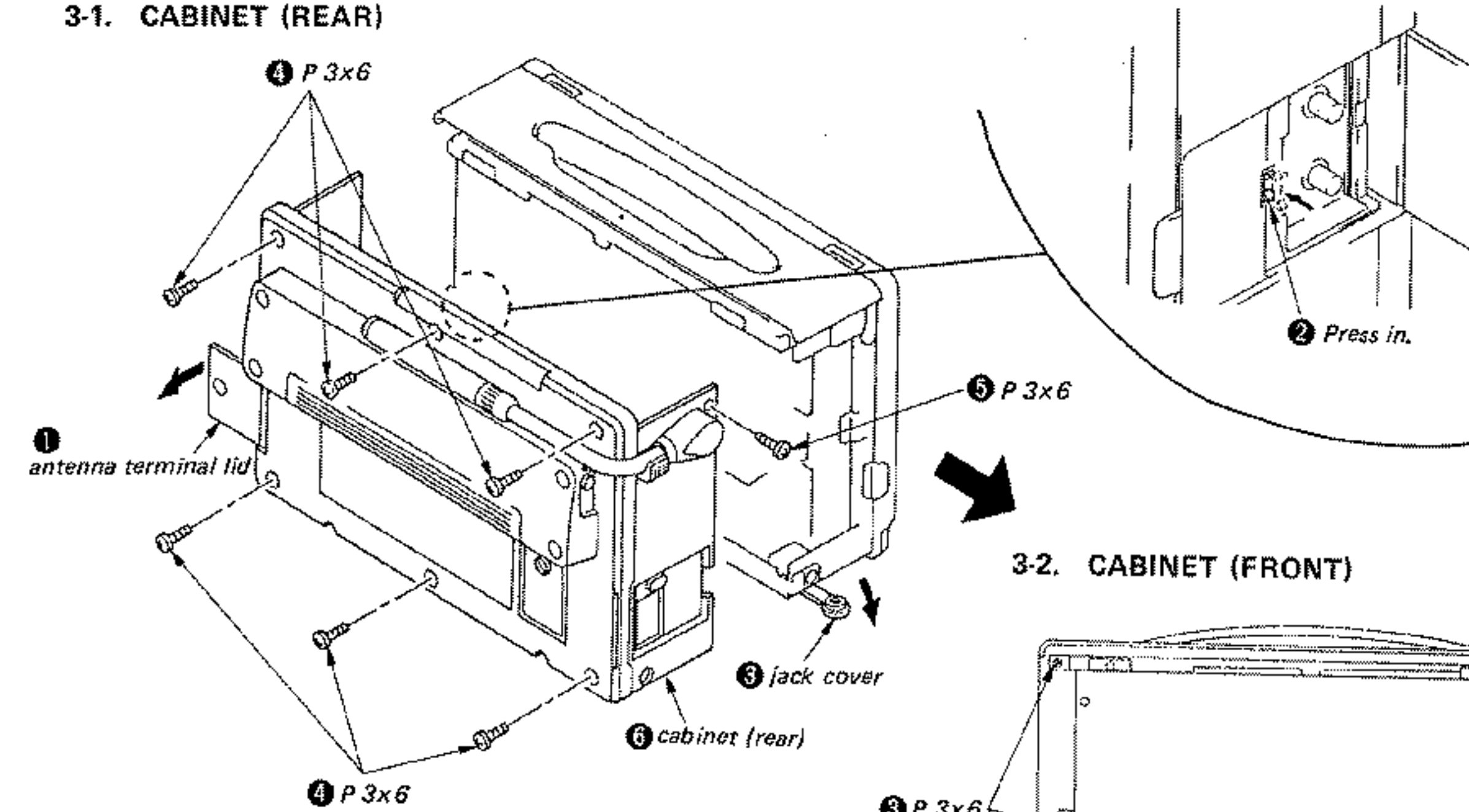
CRF-V21 RS-232C connector		Connecting cable connector	
DIN 8-pin mini type (female)		25-pin D-sub type connector (male)	
Interface cable to be connected to the I/O connector must be shielded as shown.			

Pin No.		Signal ID	Function	Signal direction CRF-V21↔computer
DIN 8-pin	25-pin D-sub			
1	7	SG	Signal ground	↔
2	2	SD	Transmit data	←
3	3	RD	Receive data	→
4	4	RS	Request to send	←
5	5	CS	Clear to send	→
6	6	DR	Data set ready	→
7	20	ER	Data terminal ready	←
E	1	FG	Frame ground	↔

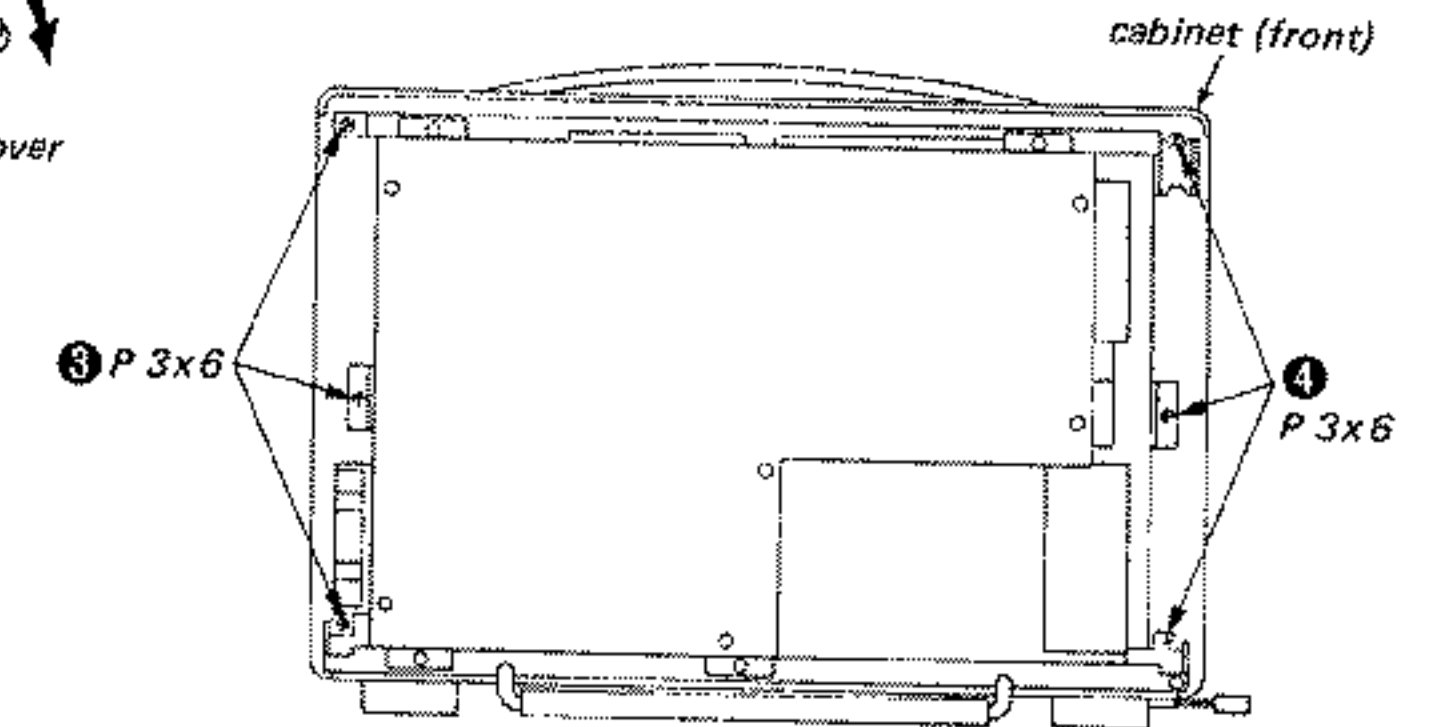
Each signal conforms to the RS-232C specifications (output level ON: +5V, OFF: -5V)

Note: Follow the disassembly procedure in the numerical order given.

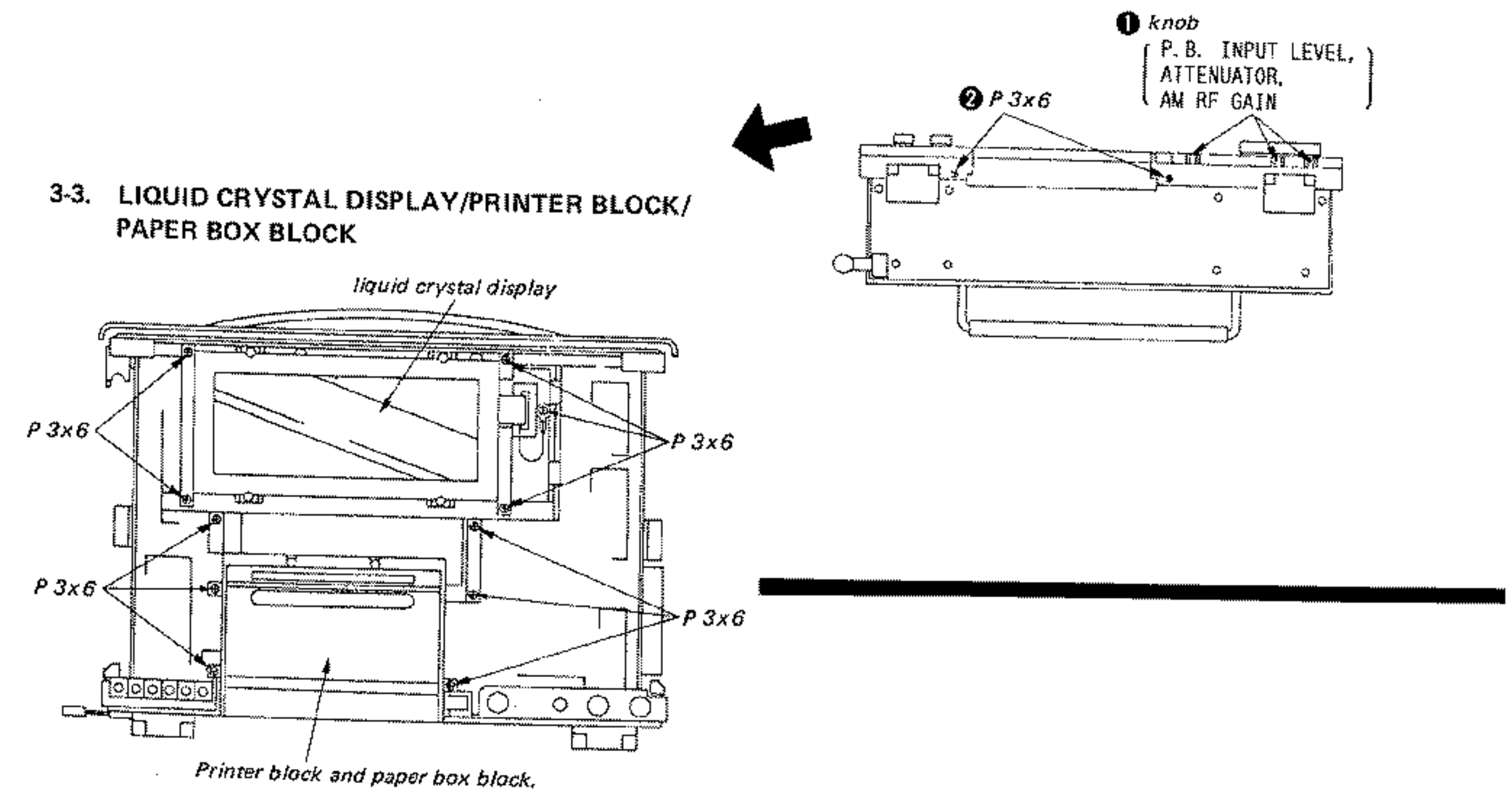
### 3-1. CABINET (REAR)



### 3-2. CABINET (FRONT)

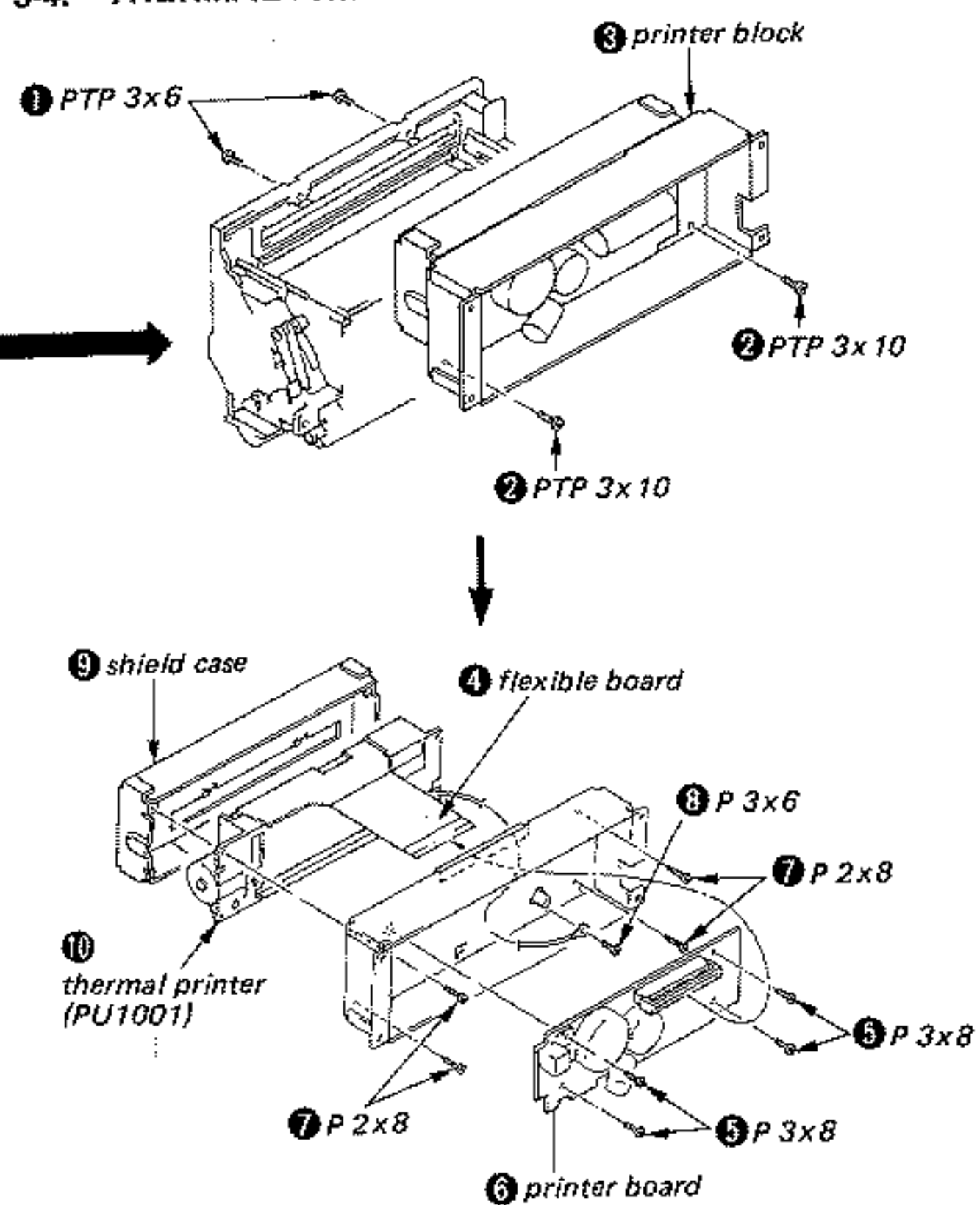


### 3-3. LIQUID CRYSTAL DISPLAY/PRINTER BLOCK/ PAPER BOX BLOCK



**SECTION 4  
DIAGRAMS**

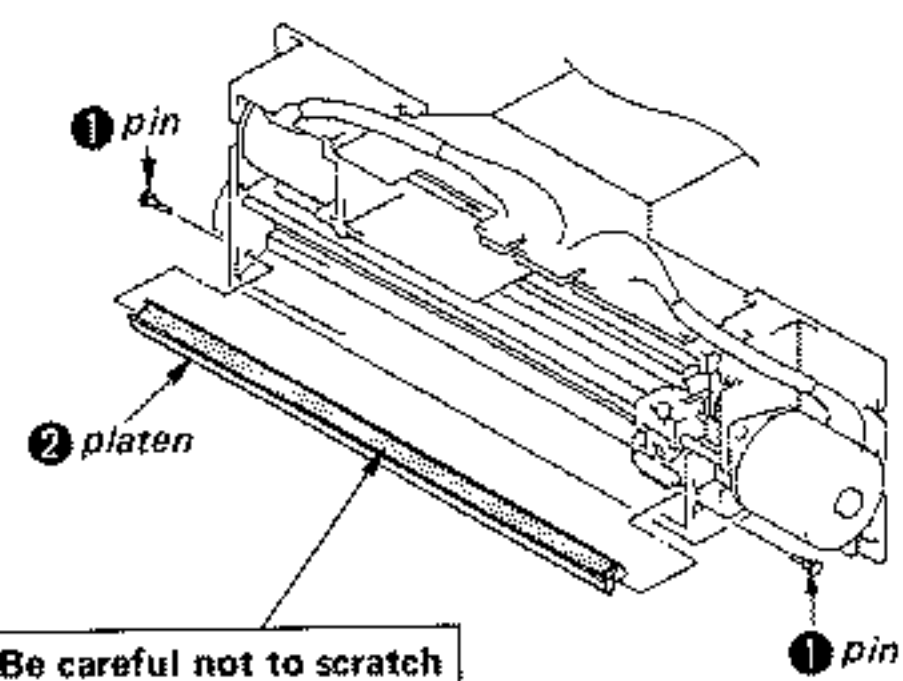
**3-4. THERMAL PRINTER**



Be careful not to scratch this portion of platen.

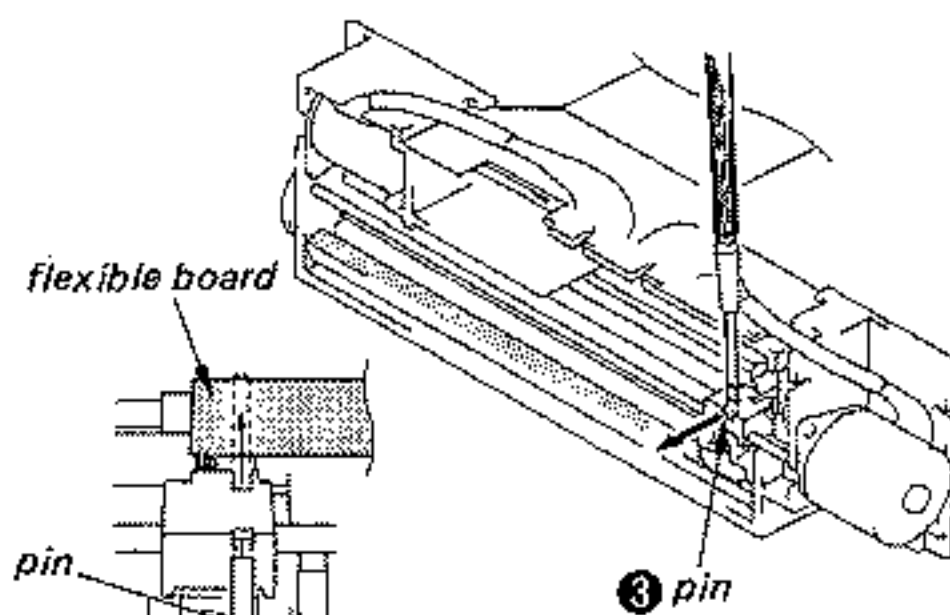
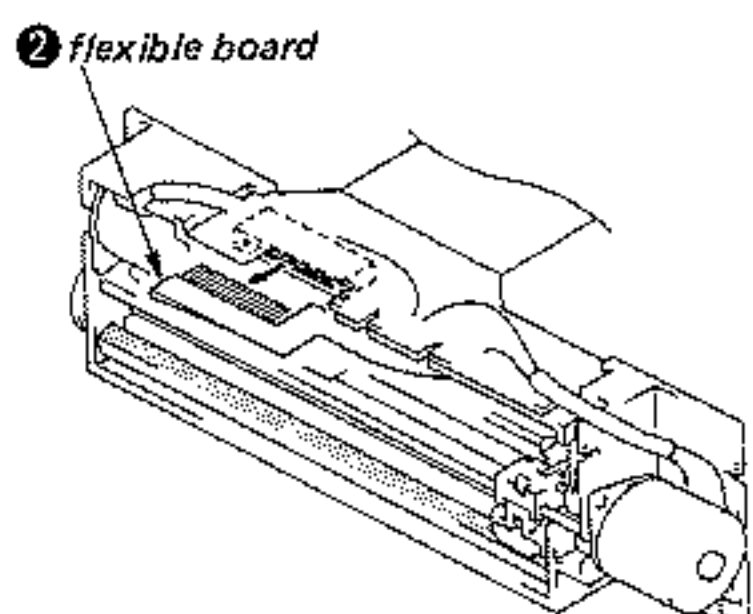
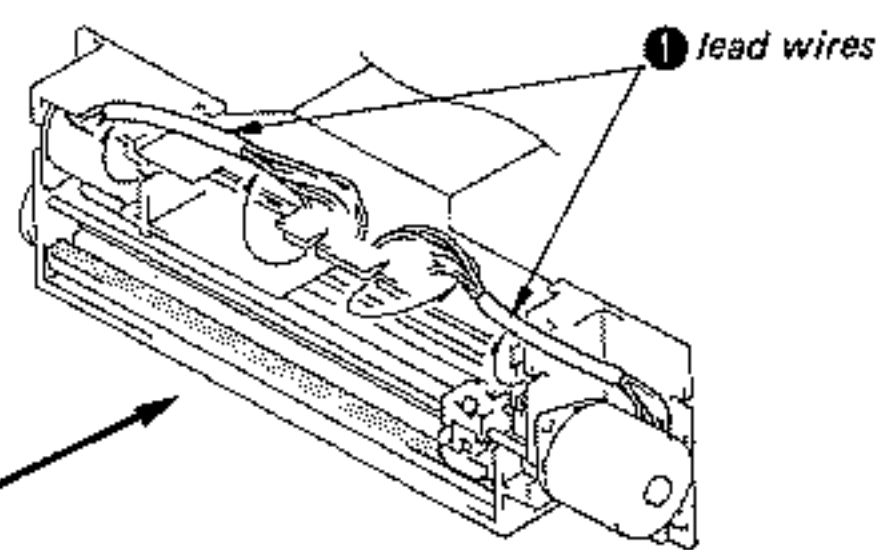
Put the printer head fully to the right.

**3-5. PLATEN**

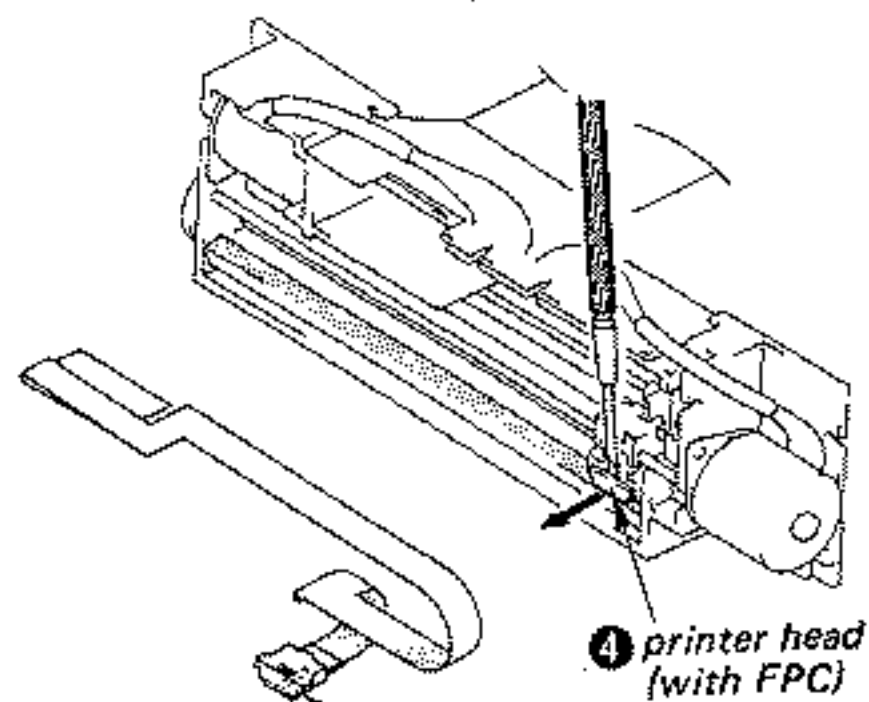


Be careful not to scratch this portion of platen.

**3-6. PRINTER HEAD**



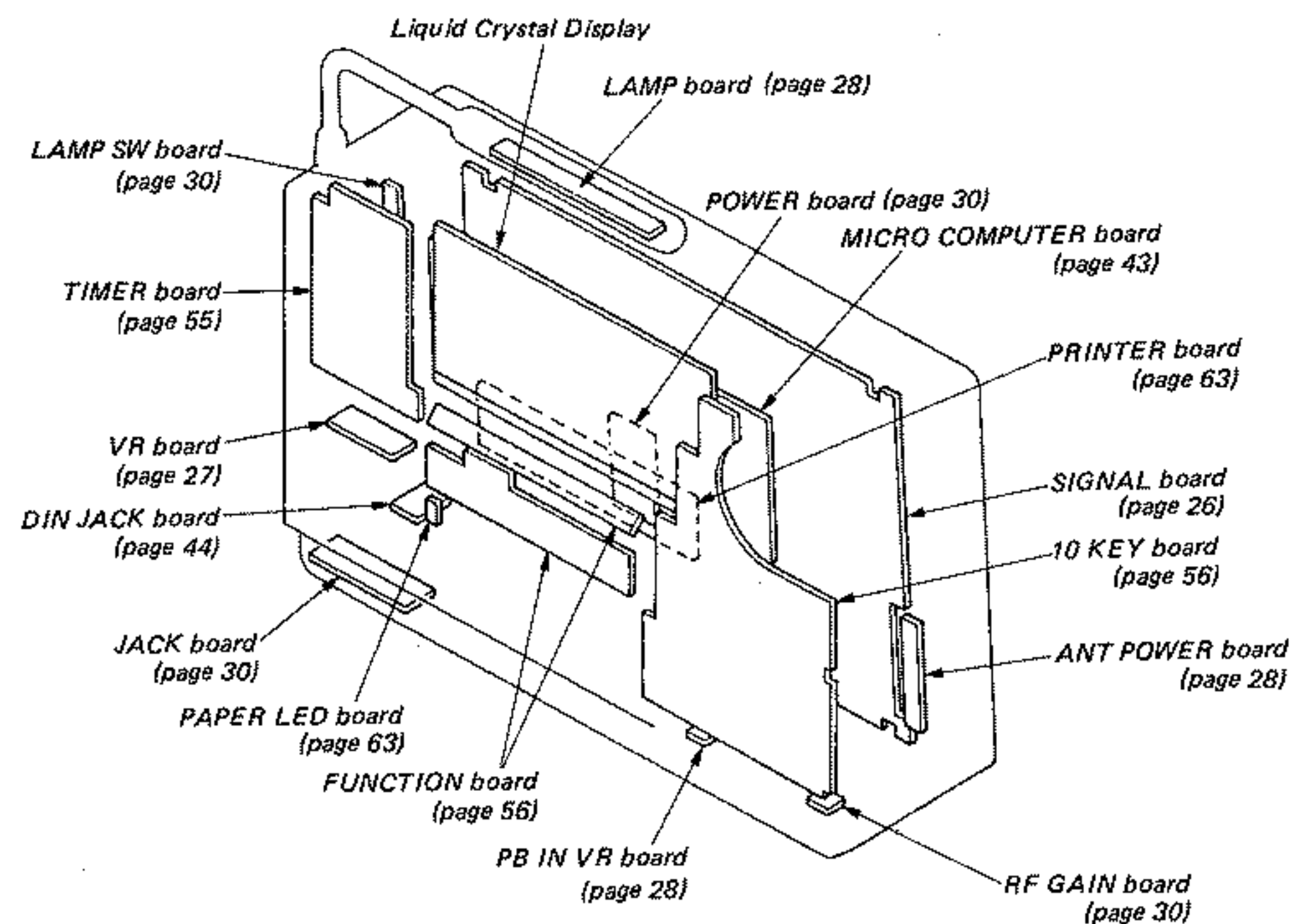
Note on installation:  
Install the pin to press down flexible board.

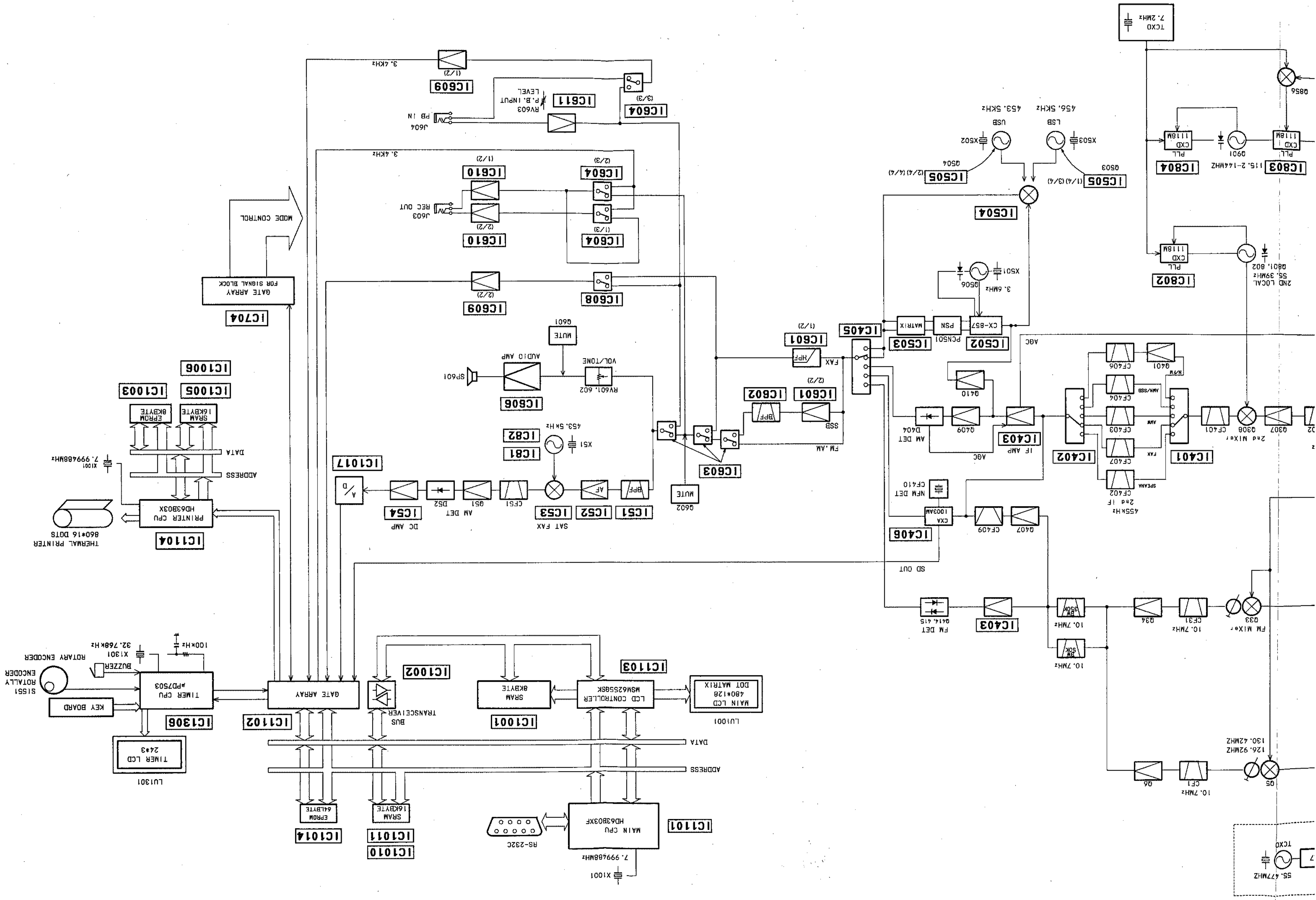


Be careful not to scratch the head surface.

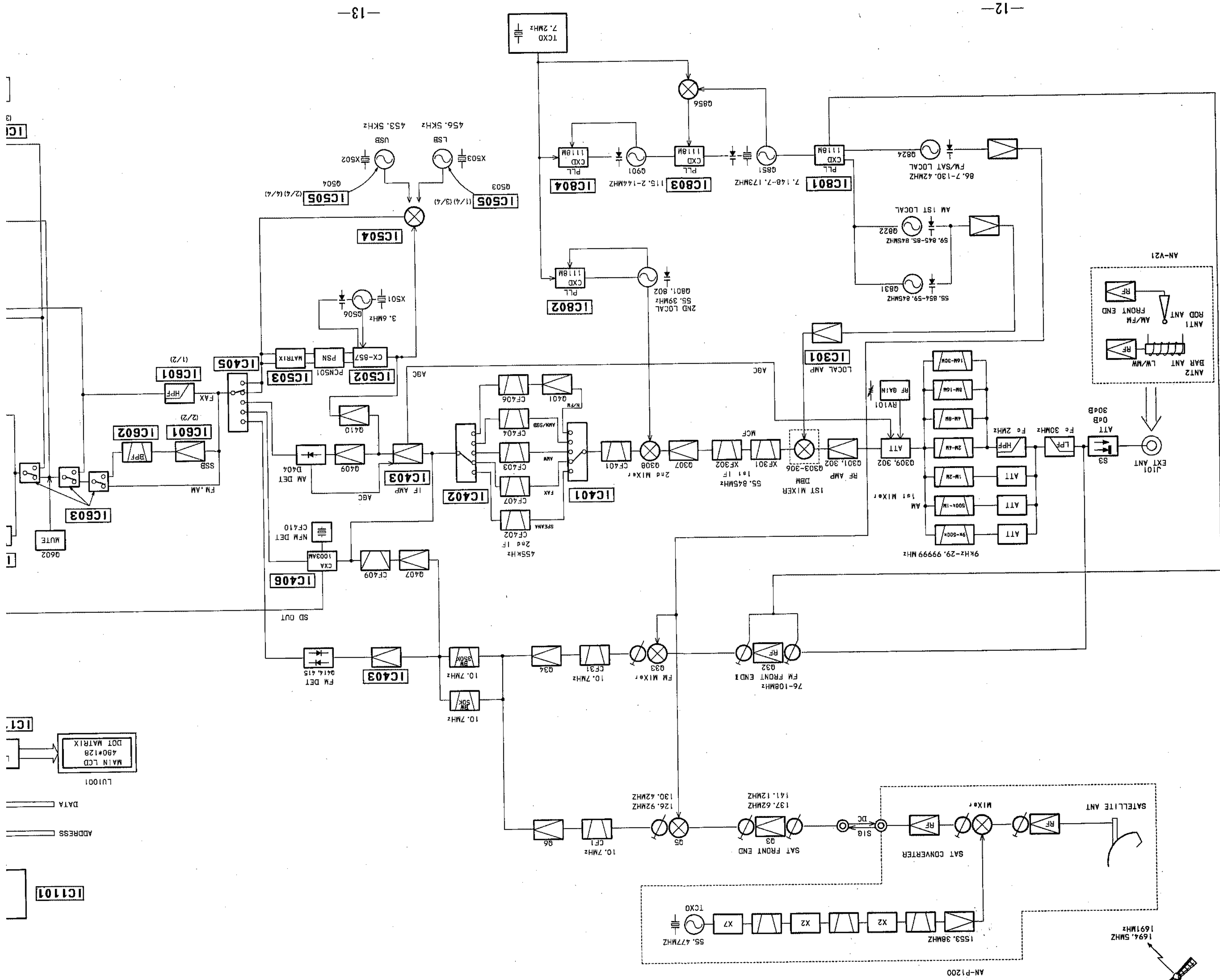
**4-1. CIRCUIT BOARDS LOCATION**

• Each board is given on page shown in ( ).



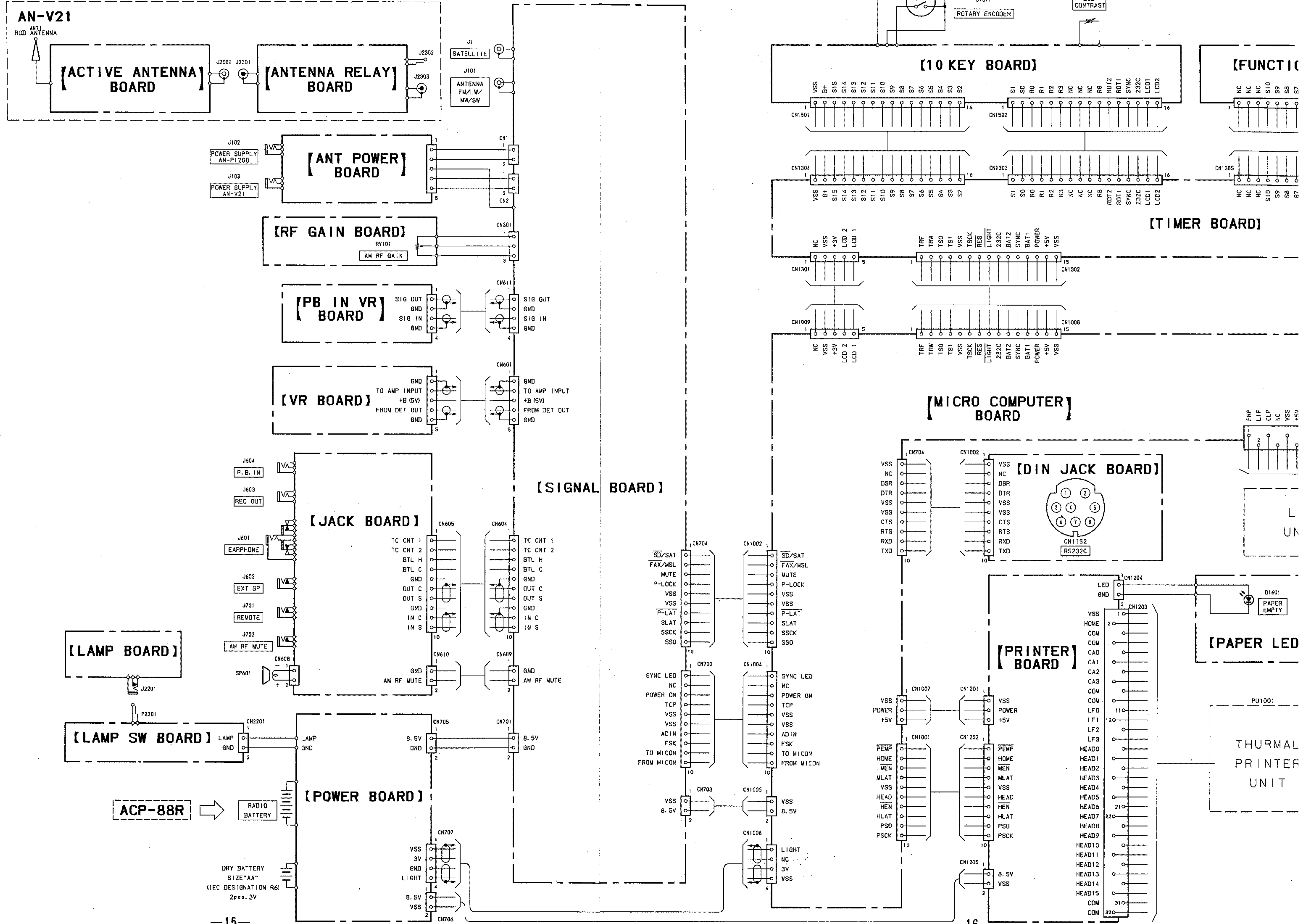


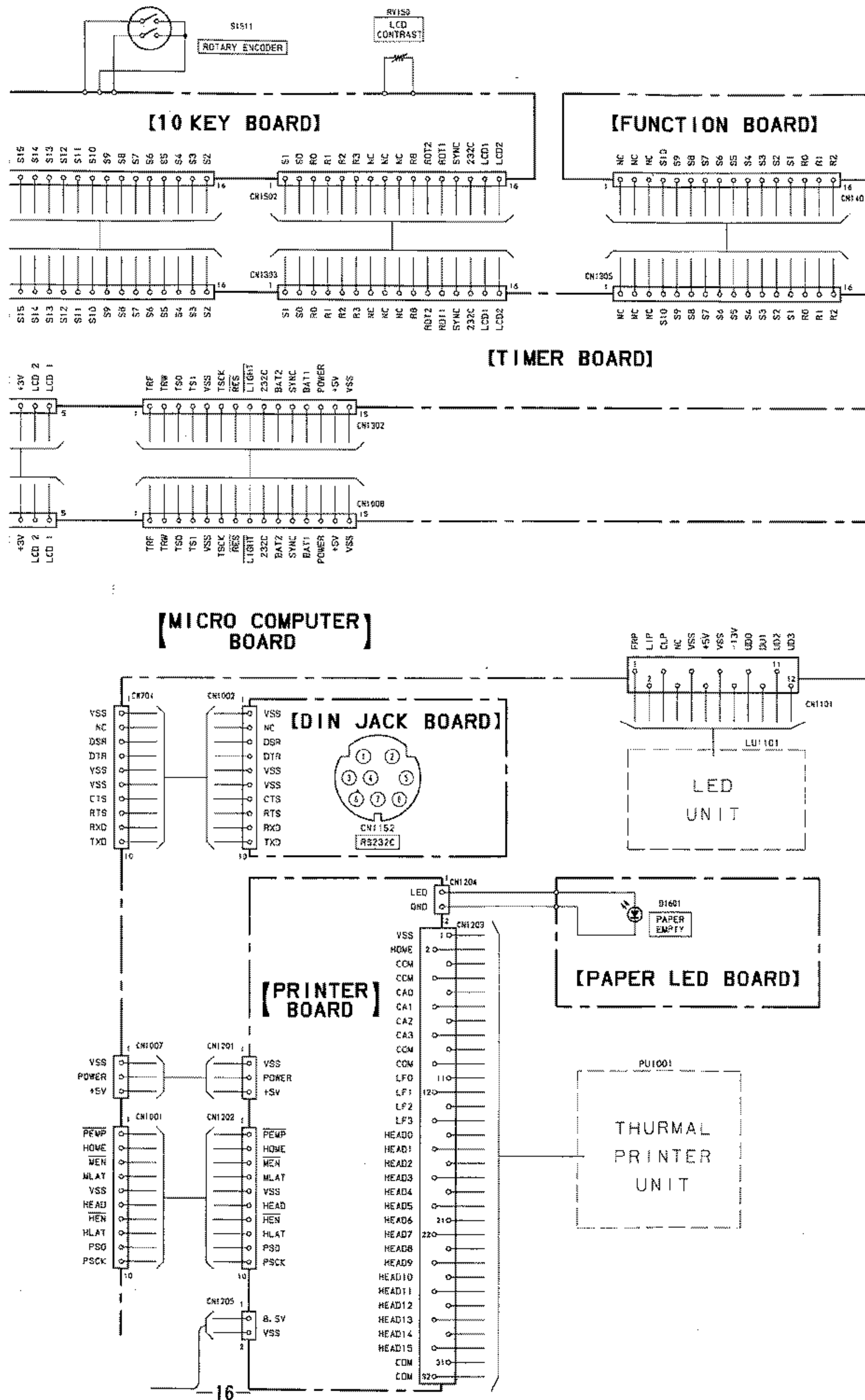
4-2. BLOCK DIAGRAM





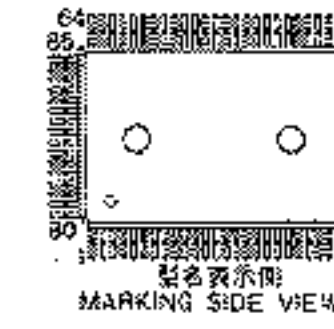
4-3. FRAME SCHEMATIC DIAGRAM





4-4. SEMICONDUCTOR LEAD LAYOUTS

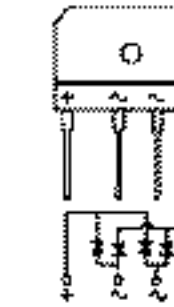
HD63803XF  
MSM6255GS-K



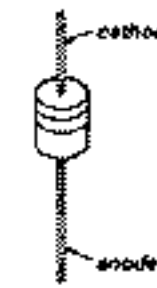
DTC124XS



D5SB60



RD10ES-B2  
RD5.6ES-B2  
1SS119  
1SS168



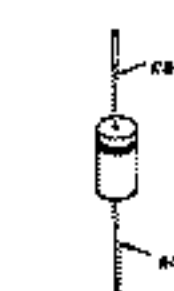
HG61H04B13F  
μPD7503G-A78-12



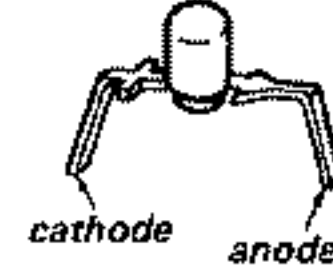
2SA1441



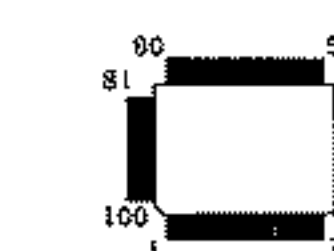
ERA81-005



SEL351G



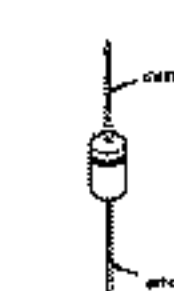
HG61H20B20F



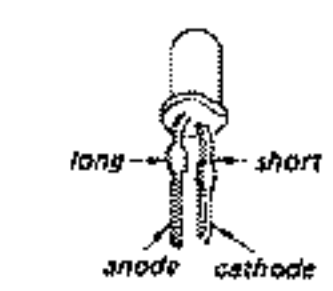
2SB962



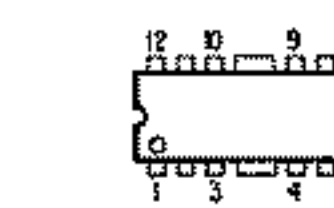
ERC81-004



TLR124



LA4550



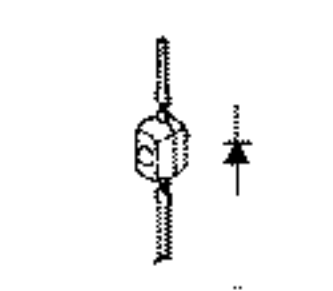
2SC1815Y



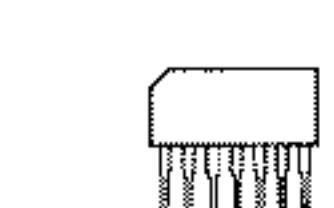
GL1EG51



TLUR122



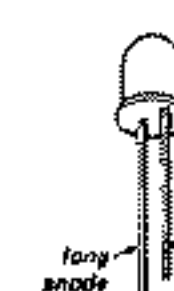
μPC1037HA



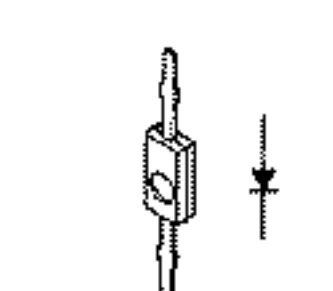
2SD1487



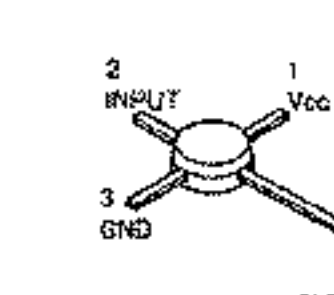
GL3PG8



1T33



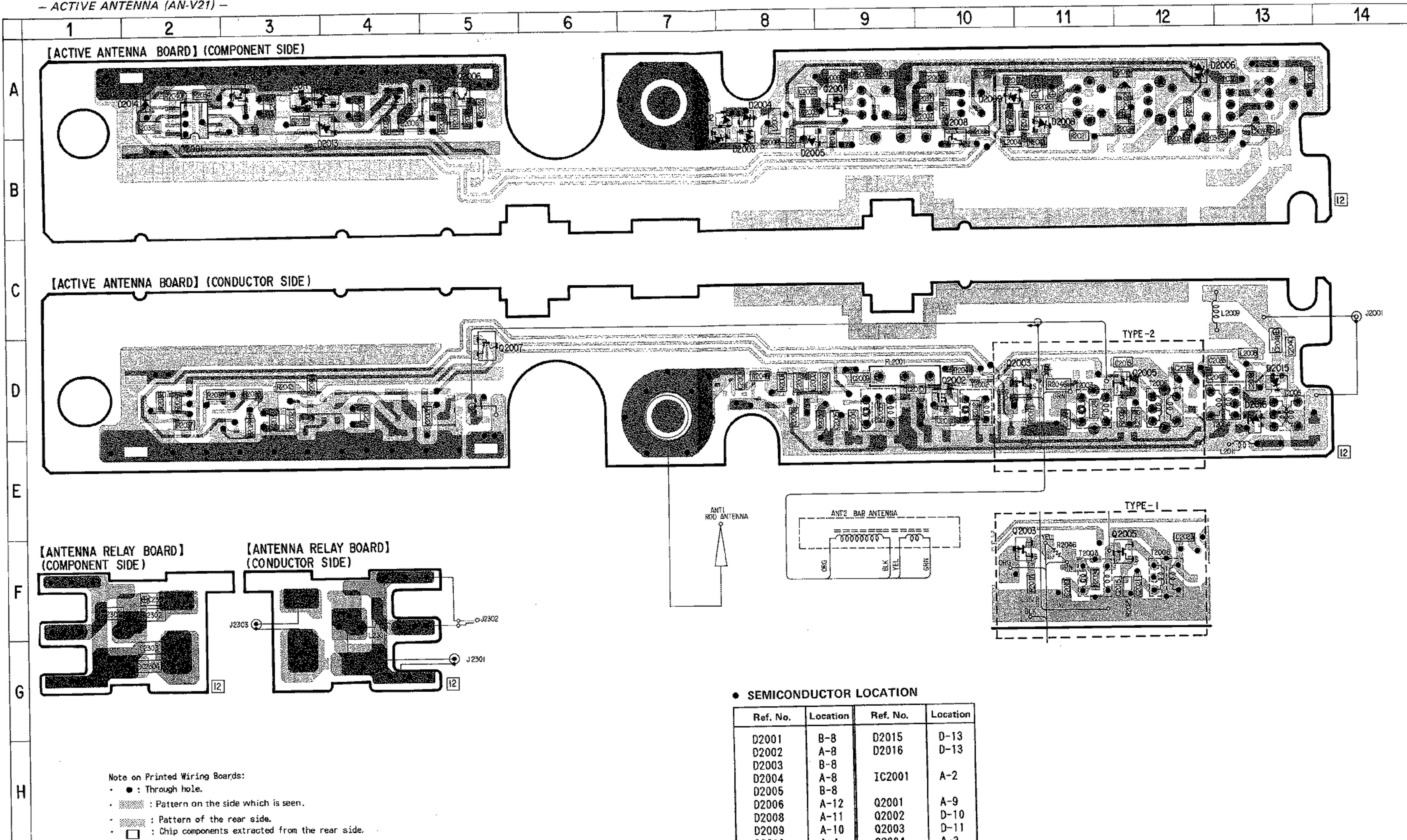
μPC1651G



BG2222S-B1



4-5. PRINTED WIRING BOARDS  
 - ACTIVE ANTENNA (AN-V21) -



Note on Printed Wiring Boards:  
 • ● : Through hole.  
 • [Pattern] : Pattern on the side which is seen.  
 • [Pattern] : Pattern of the rear side.  
 • [Box] : Chip components extracted from the rear side.

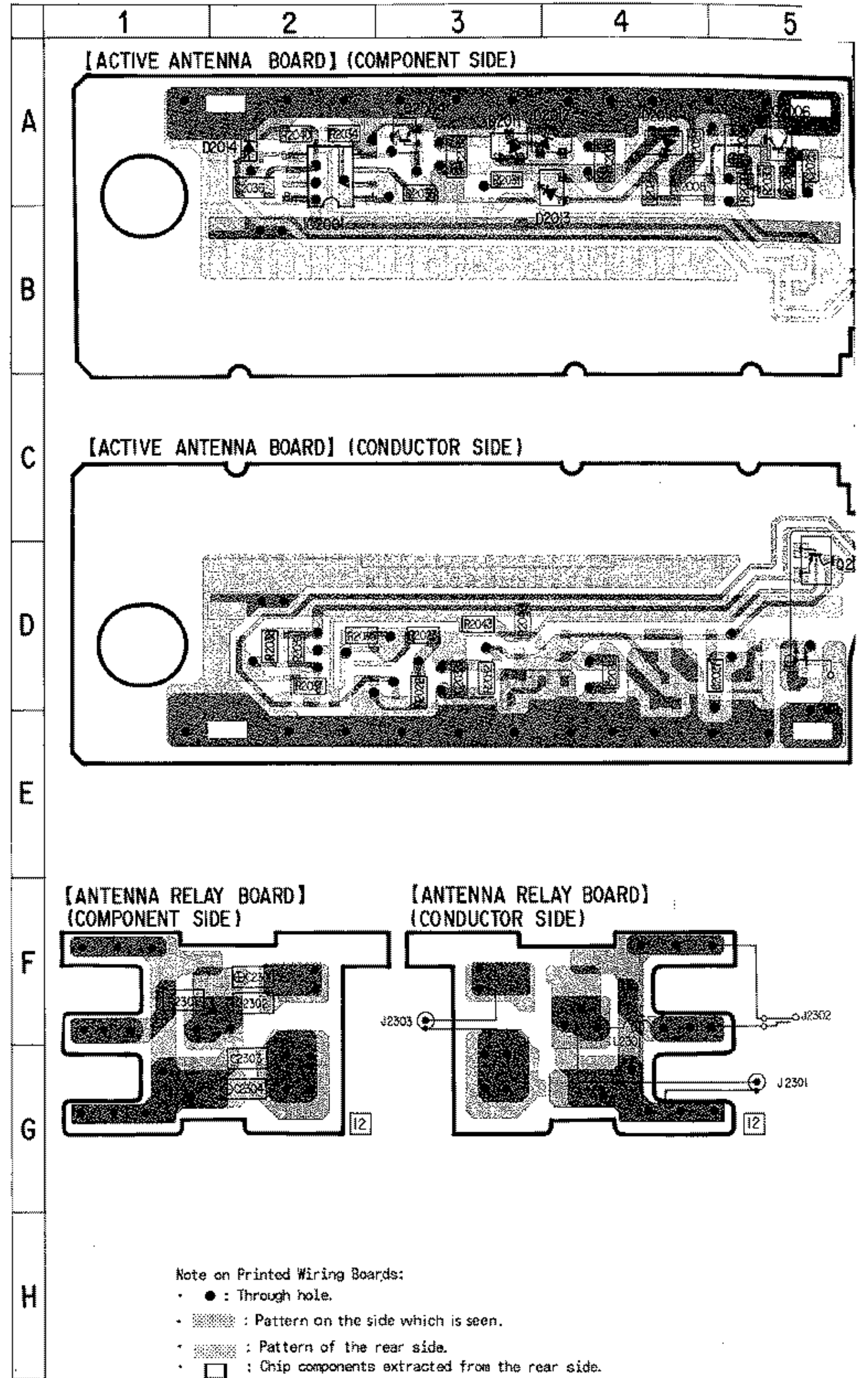
● SEMICONDUCTOR LOCATION

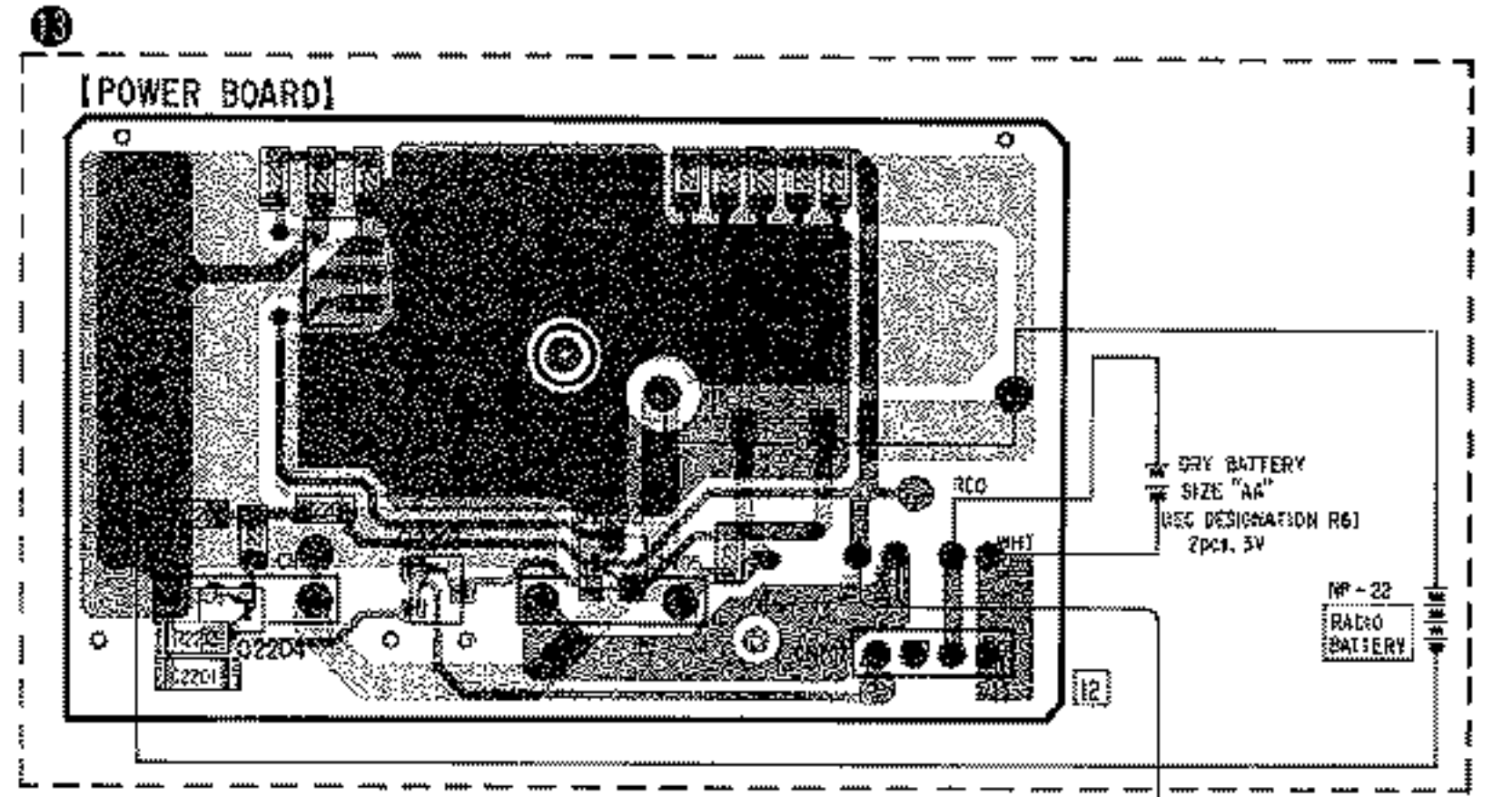
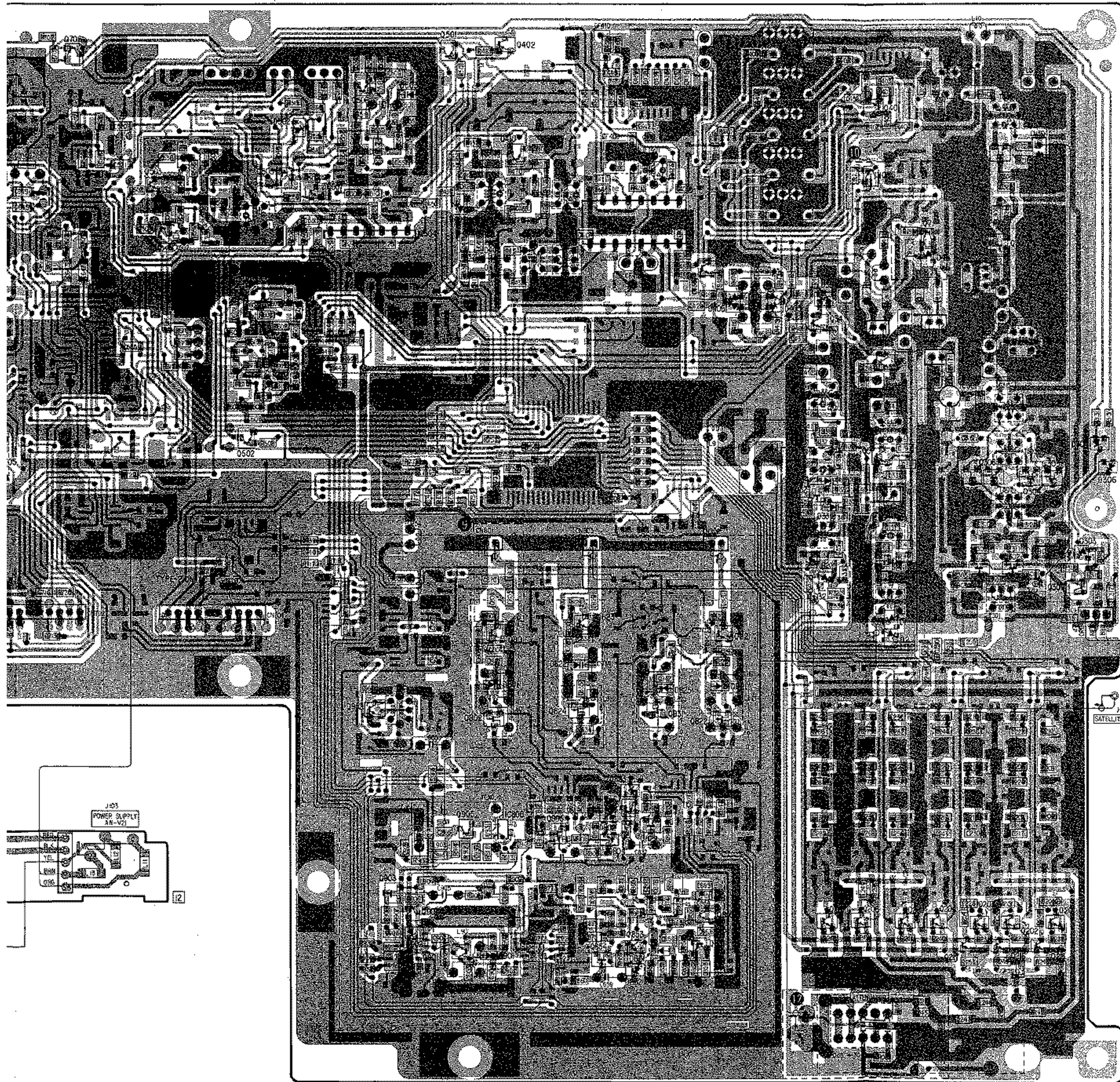
Ref. No.	Location	Ref. No.	Location
D2001	B-8	D2015	D-13
D2002	A-8	D2016	D-13
D2003	B-8		
D2004	A-8	IC2001	A-2
D2005	B-8		
D2006	A-12	Q2001	A-9
D2008	A-11	Q2002	D-10
D2009	A-10	Q2003	D-11
D2010	A-4	Q2004	A-3
D2011	A-3	Q2005	D-12
D2012	A-4	Q2006	A-5
D2013	A-4	Q2007	D-5
D2014	A-2	Q2008	B-10

• Semiconductor Location (For radio section on page 26 - 30)

Ref. No.	Location	Ref. No.	Location	Ref. No.	Location	Ref. No.	Location
D1	G-32	D705	F-22	IC807	K-7	Q412	D-6
D2	H-32	D706	F-22	IC808	J-28	Q413	D-5
D3	B-3	D801	H-28	IC2201	B-37	Q414	D-9
D4	C-33	D802	J-29			Q415	E-9
D31	G-31	D821	H-30	Q3	G-32	Q416	D-8
D32	G-32	D822	H-29	Q5	F-32	Q501	A-27
D33	F-32	D823	I-29	Q6	E-32	Q502	E-25
D34	F-32	D824	I-6	Q7	C-33	Q503	C-24
D35	D-32	D825	H-30	Q8	C-3	Q504	C-24
D51	A-19	D851	K-30	Q9	C-3	Q505	C-26
D52	B-17	D852	K-29	Q11	B-3	Q506	B-26
D101	L-5	D901	K-28	Q12	C-4	Q507	C-26
D102	L-5	D902	K-27	Q13	B-4	Q601	D-13
D103	L-5	D951	I-9	Q14	C-4	Q602	E-12
D104	L-5	D952	I-10	Q31	G-4	Q701	F-19
D201	J-2			Q32	F-31	Q702	G-15
D202	J-2	IC51	B-14	Q33	E-5	Q703	G-21
D203	H-2	IC52	B-14	Q34	D-32	Q704	F-13
D204	J-2	IC53	B-21	Q35	C-32	Q705	F-14
D205	J-2	IC54	B-16	Q36	C-4	Q706	A-23
D206	H-2	IC81	B-14	Q51	A-19	Q801	H-28
D207	J-3	IC82	B-15	Q201	K-34	Q802	I-28
D208	J-3	IC301	E-33	Q202	K-34	Q803	J-7
D209	H-3	IC401	A-4	Q203	K-33	Q804	J-29
D210	J-3	IC402	B-5	Q204	K-33	Q805	J-29
D211	J-3	IC403	C-29	Q205	K-32	Q821	H-30
D212	H-3	IC405	D-10	Q206	K-32	Q822	I-30
D213	J-4	IC406	B-6	Q207	K-32	Q823	G-29
D214	J-4	IC501	B-10	Q208	H-2	Q824	H-29
D215	H-3	IC502	B-10	Q209	H-2	Q825	G-8
D216	J-4	IC503	B-13	Q210	H-2	Q826	G-8
D217	J-4	IC504	C-27	Q211	H-3	Q827	J-6
D218	H-4	IC505	C-11	Q212	H-3	Q828	J-29
D219	J-4	IC506	B-11	Q213	H-4	Q829	J-30
D220	J-4	IC507	B-10	Q214	H-5	Q830	J-5
D221	H-4	IC601	D-11	Q215	K-34	Q831	H-30
D301	G-3	IC602	E-11	Q216	K-34	Q832	G-6
D302	G-2	IC803	D-12	Q217	K-33	Q833	G-6
D303	G-34	IC604	D-13	Q301	G-33	Q851	K-30
D304	F-35	IC605	J-13	Q302	G-34	Q852	K-7
D305	F-3	IC606	D-21	Q303	F-34	Q853	K-29
D306	F-35	IC607	E-13	Q304	F-34	Q854	K-29
D401	C-28	IC608	F-12	Q305	F-33	Q855	K-30
D402	D-28	IC609	F-12	Q306	F-33	Q856	K-6
D404	C-28	IC610	C-13	Q307	C-34	Q857	K-7
D405	D-31	IC611	C-17	Q308	B-34	Q858	K-7
D406	D-31	IC702	F-15	Q309	G-34	Q901	K-28
D501	B-12	IC703	F-15	Q310	G-2	Q902	J-8
D502	B-26	IC704	F-7	Q401	B-32	Q903	J-27
D503	B-27	IC705	G-10	Q402	A-28	Q904	K-27
D601	D-21	IC706	G-11	Q403	D-7	Q905	J-28
D602	D-21	IC707	F-6	Q404	C-8	Q951	H-10
D603	E-12	IC801	I-6	Q405	D-7	Q952	H-27
D604	E-12	IC802	I-7	Q407	D-30	Q2201	B-38
D605	E-13	IC803	K-7	Q408	A-8	Q2202	C-38
D606	E-13	IC804	K-9	Q409	C-8	Q2203	C-37
D607	E-14	IC805	G-9	Q410	B-28	Q2204	C-36
D608	E-14	IC806	H-9	Q411	D-6		

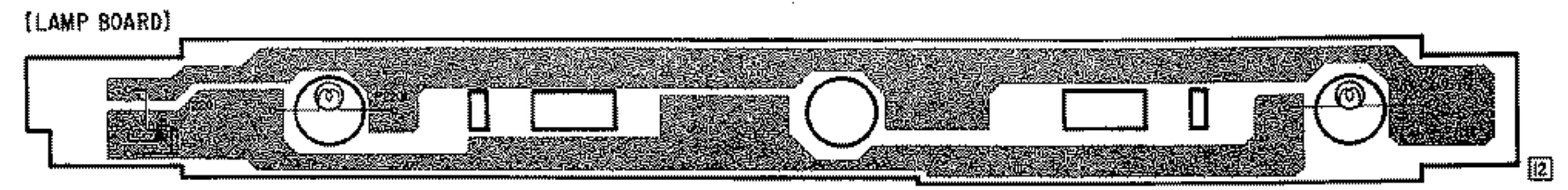
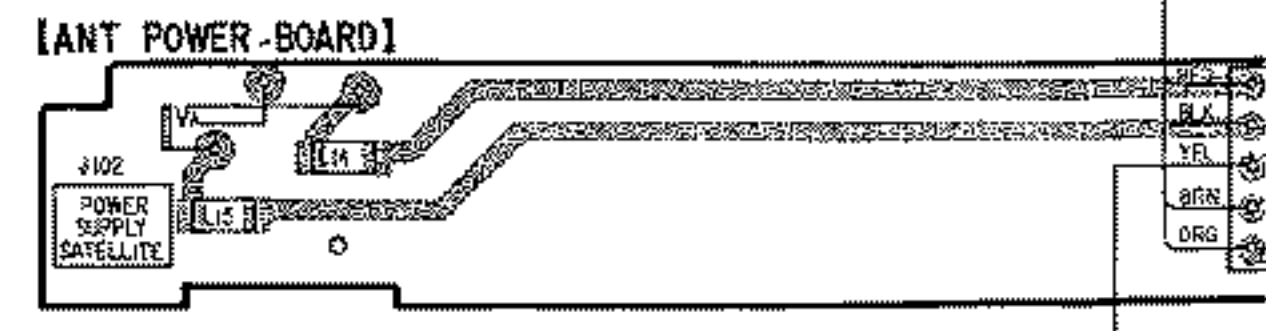
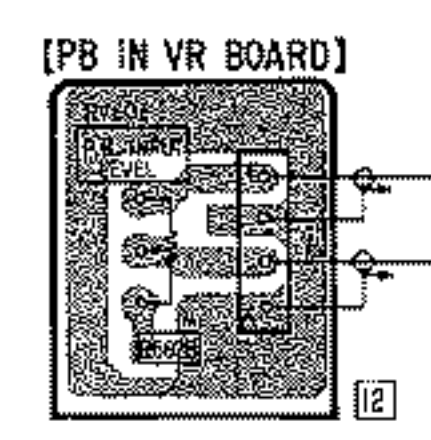
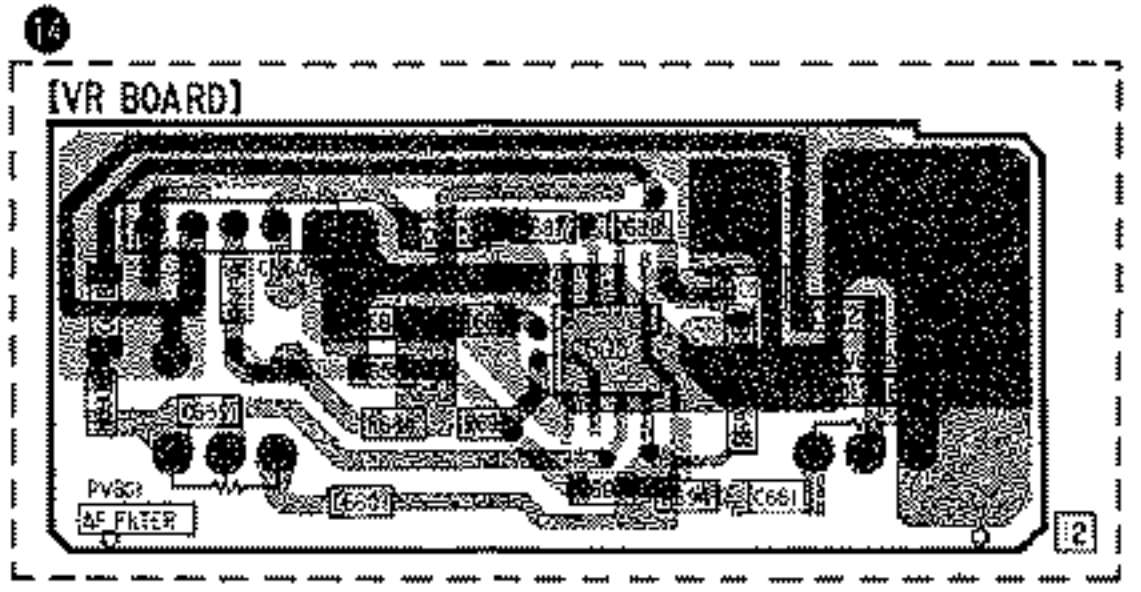
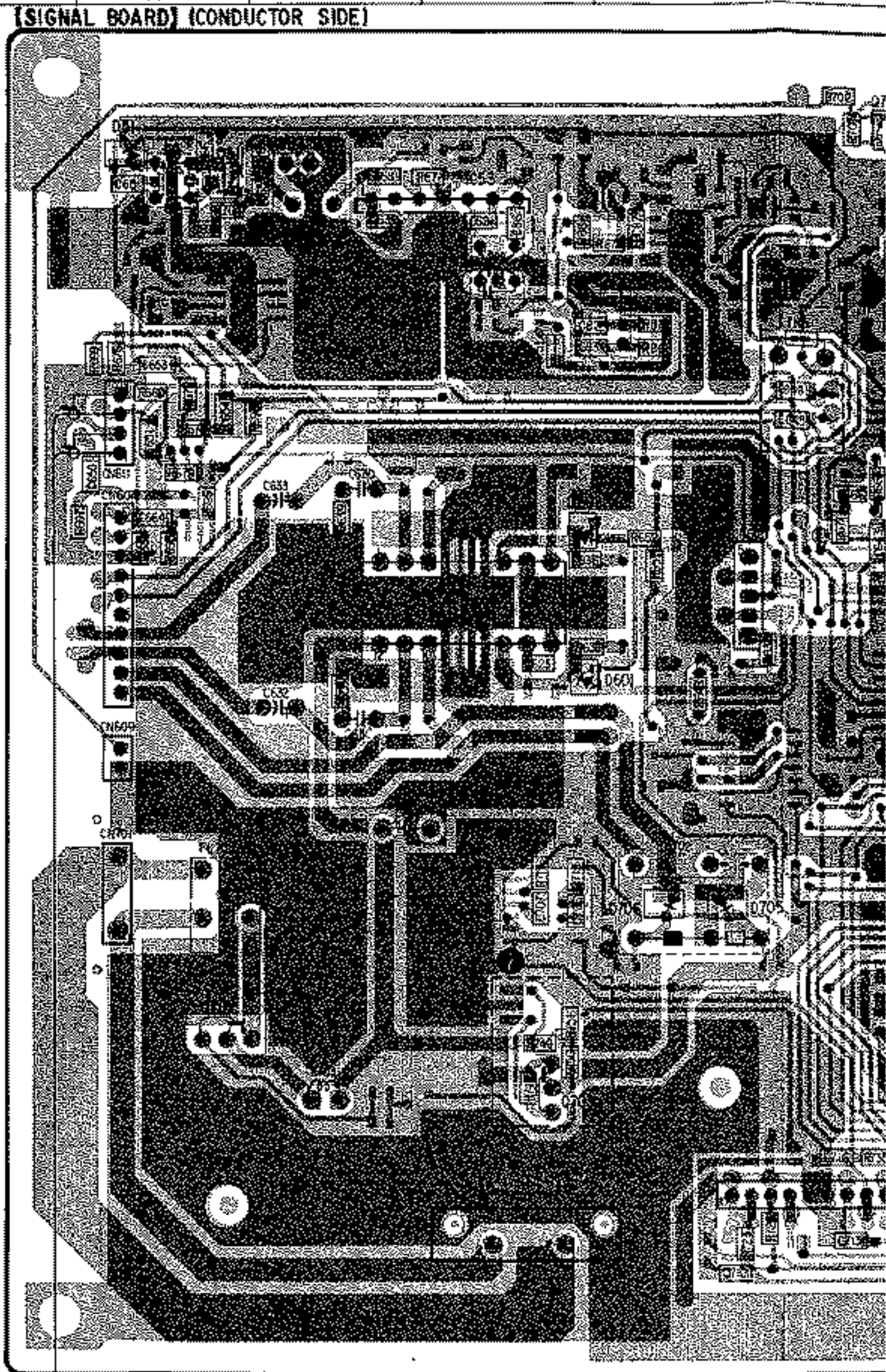
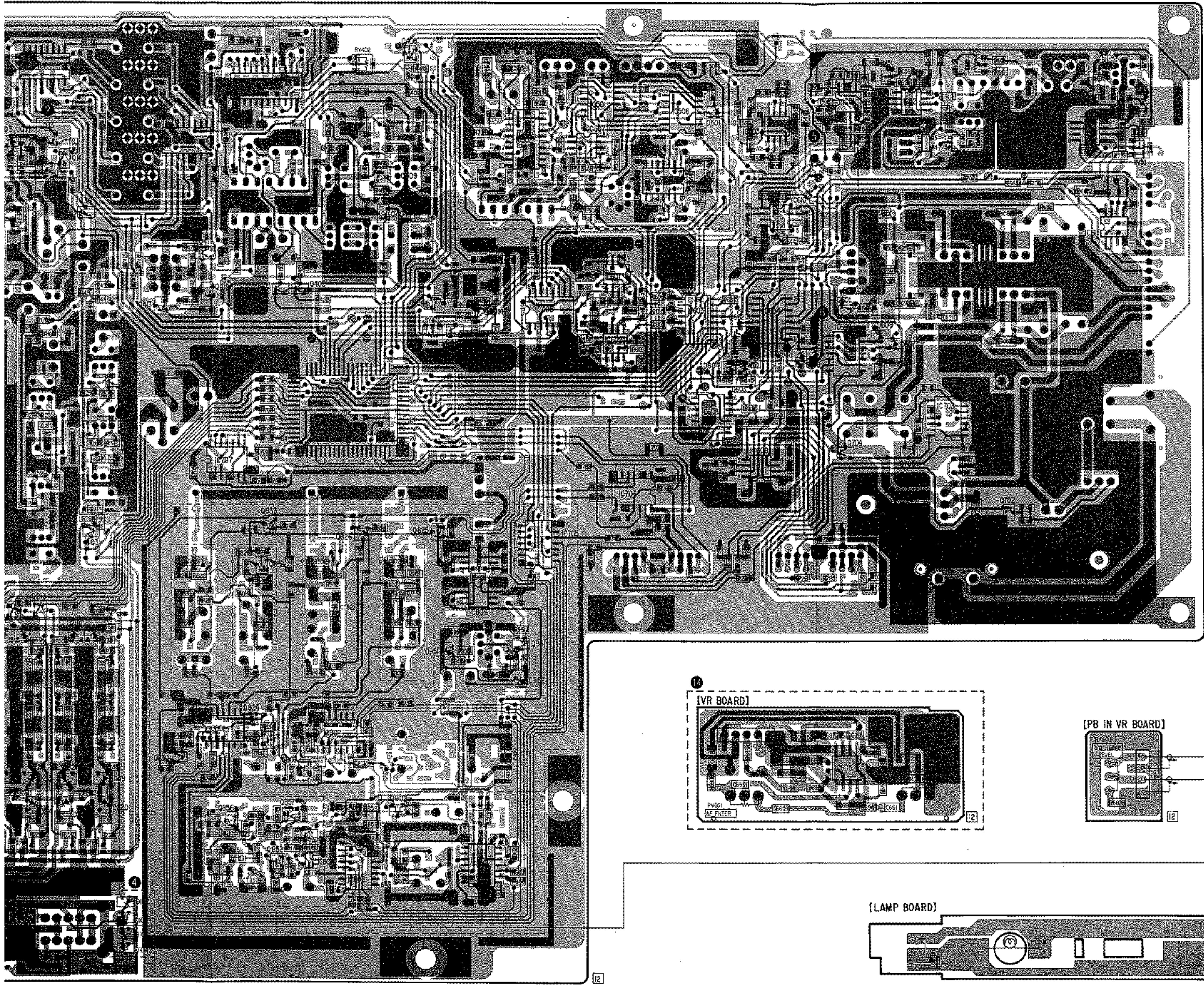
4-5. PRINTED WIRING BOARDS  
- ACTIVE ANTENNA (AN-V21) -





There is the difference between TYPE-1 and TYPE-2 in the portions ① - ⑩.  
 • Refer to page 23 for TYPE-1 set.  
 • Refer to page 17 for Semiconductor Lead Layouts.  
 • Refer to page 19 for note.  
 • Refer to page 18 for Semiconductor Location.

4 5 6 7 8 9 10 11 12 13 14 15 16 17 18 19 20 21 22 23

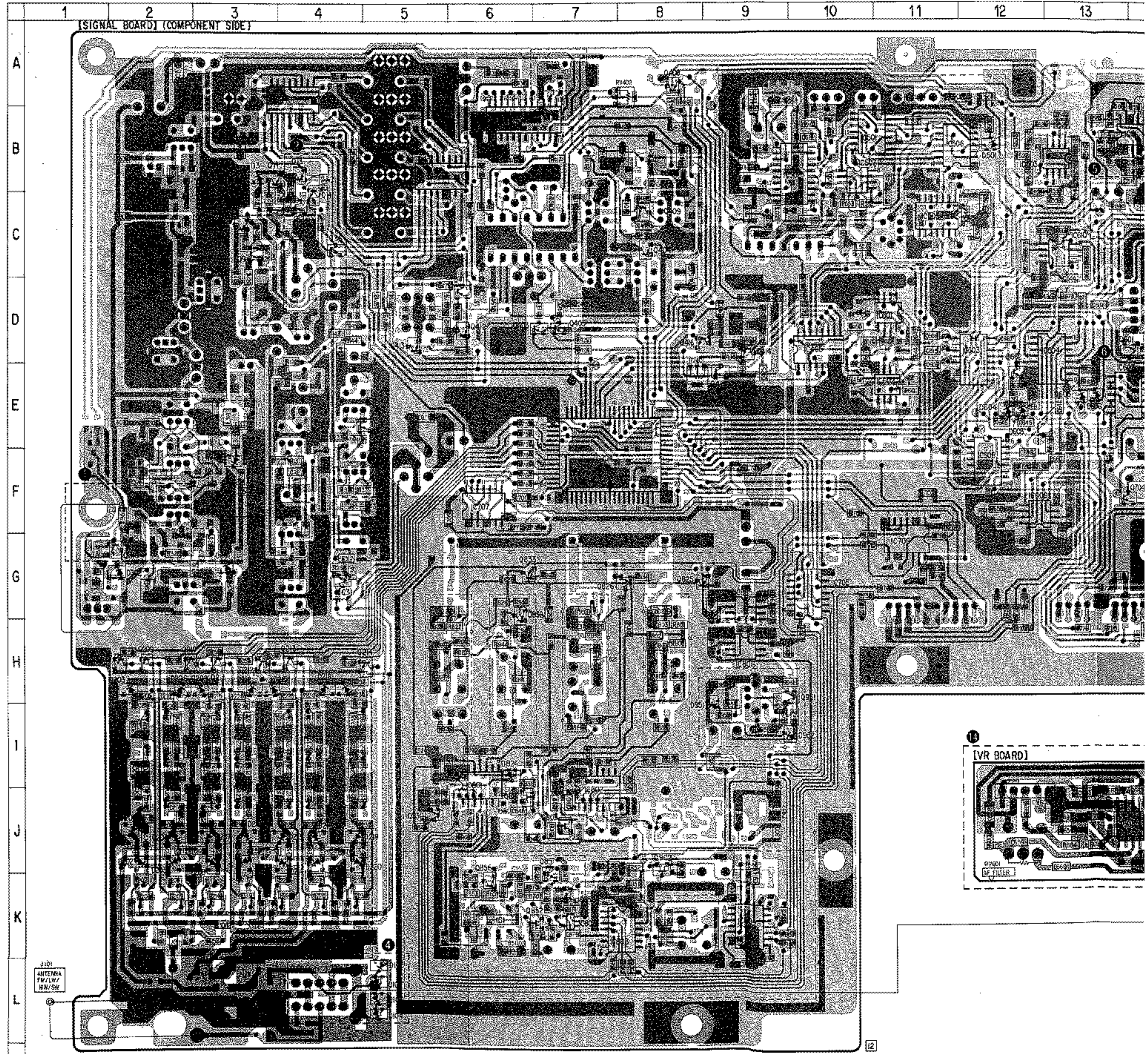


4-8. PRINTED WIRING BOARDS  
 - RADIO SECTION (TYPE-2) -

• There is the difference between TYPE-1 and TYPE-2 in the portions ① - ④.

• Refer to page 23 for TYPE-1 set.  
 • Refer to page 19 for note.

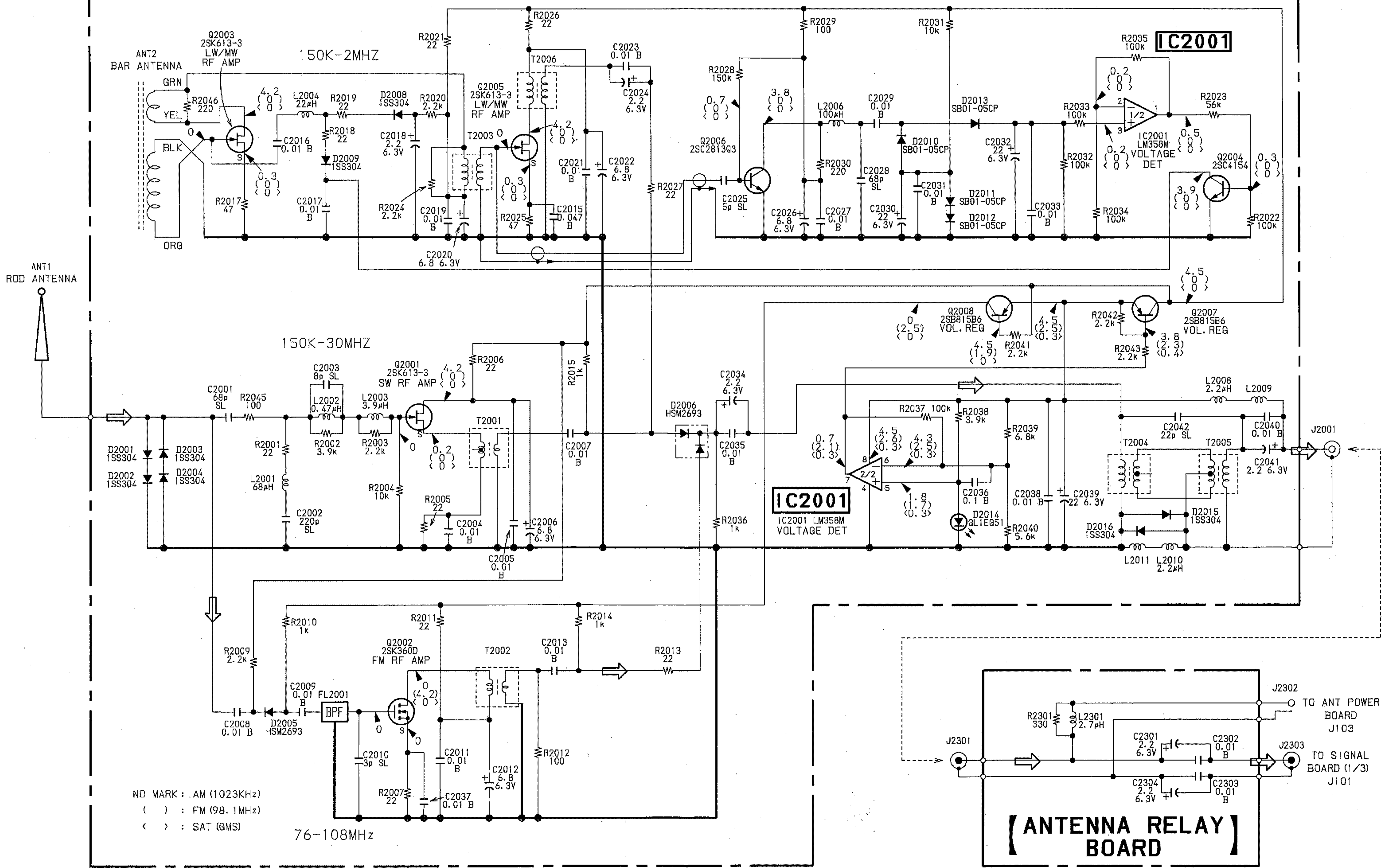
• Refer to page 17 for Semiconductor Lead Layouts.  
 • Refer to page 18 for Semiconductor Location.



4-6. SCHEMATIC DIAGRAM - ACTIVE ANTENNA (AN-V21) -

A  
B  
C  
D  
E  
F  
G

**[ACTIVE ANTENNA BOARD]**



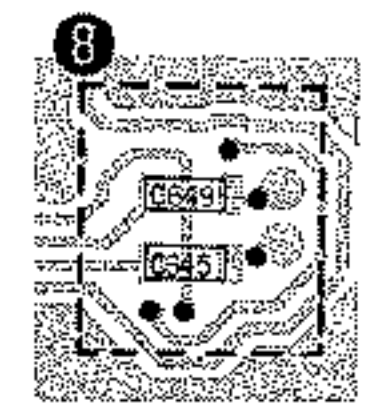
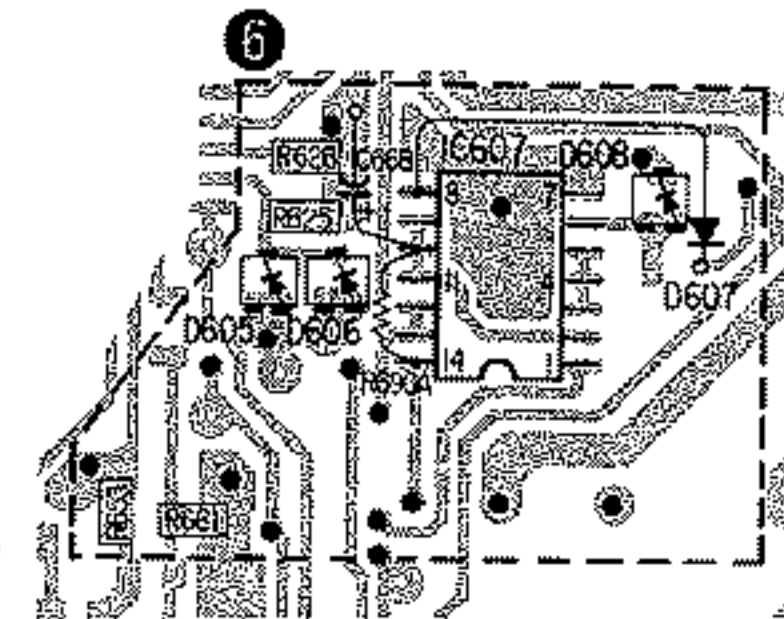
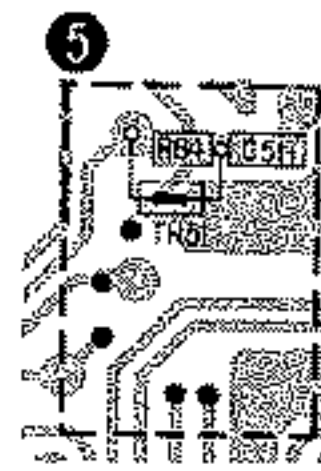
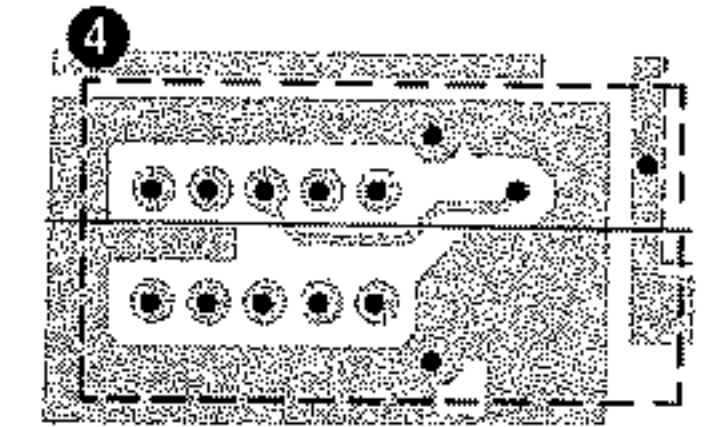
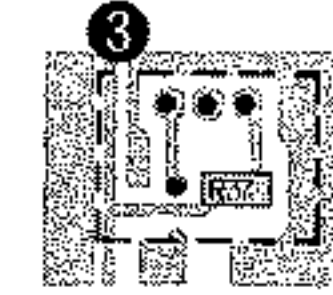
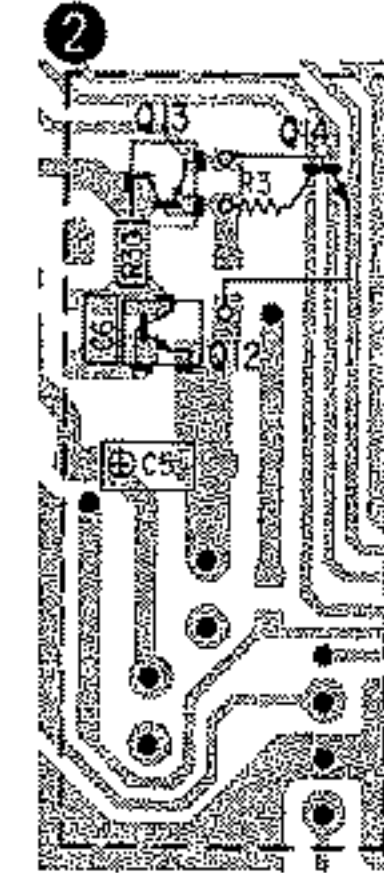
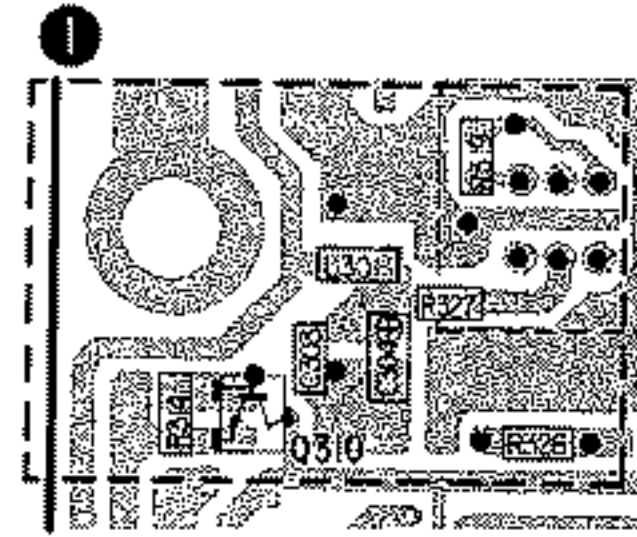
NO MARK : .AM (1023KHz)  
( ) : FM (98.1MHz)  
< > : SAT (GMS)

**[ANTENNA RELAY BOARD]**



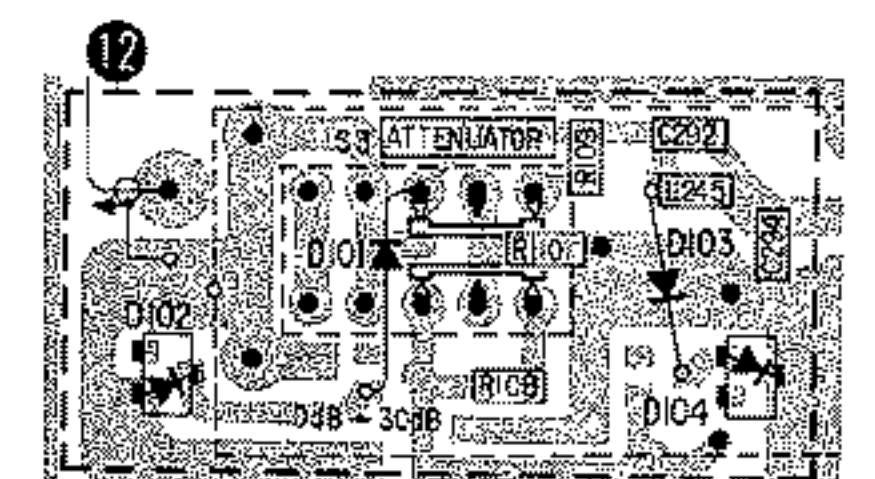
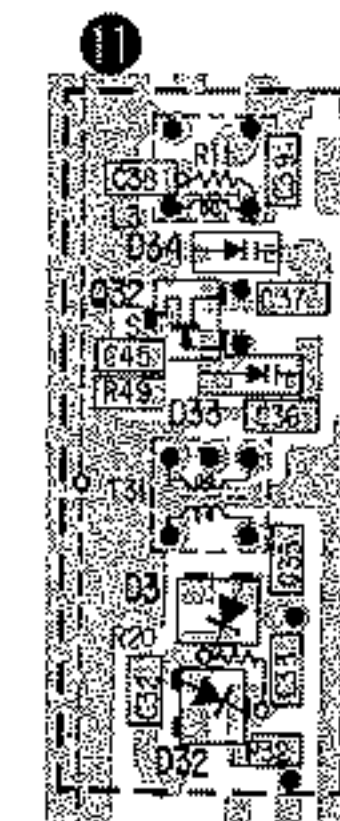
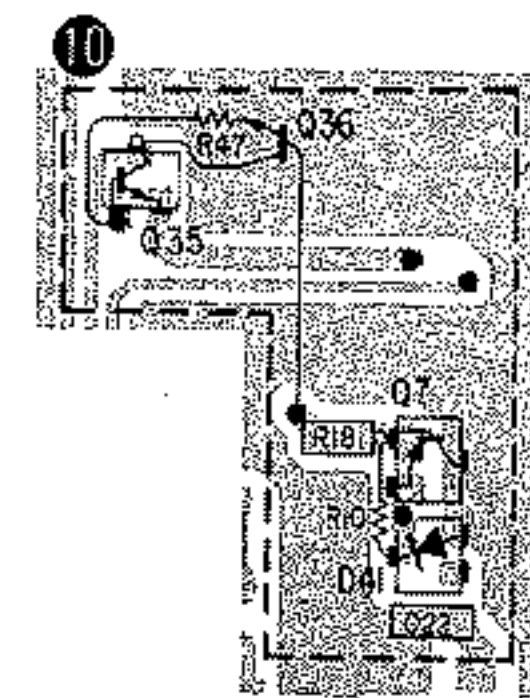
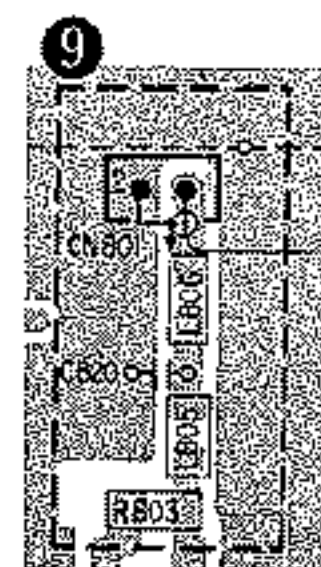
4-7. PRINTED WIRING BOARDS  
 - RADIO SECTION (TYPE-1) -

- There is the difference between TYPE-1 and TYPE-2 in the portions ① - ⑫. Refer to page 26 for other portions.
- Refer to page 19 for note.
- Refer to page 17 for Semiconductor Lead Layouts.

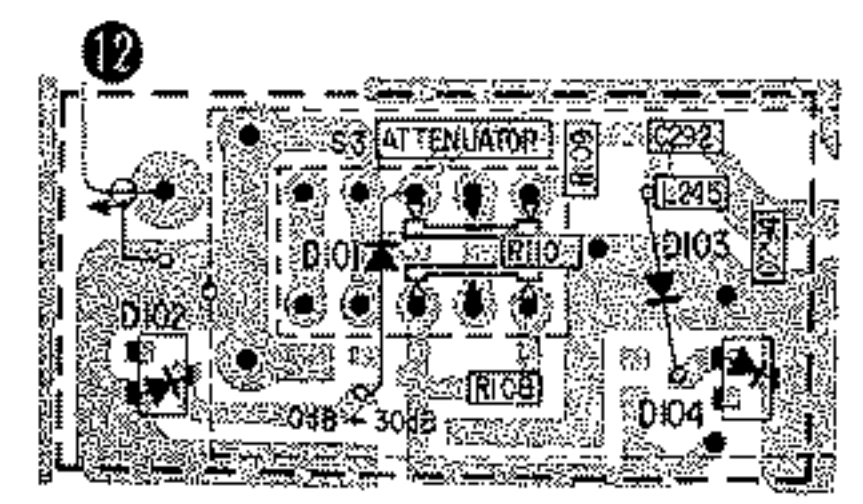
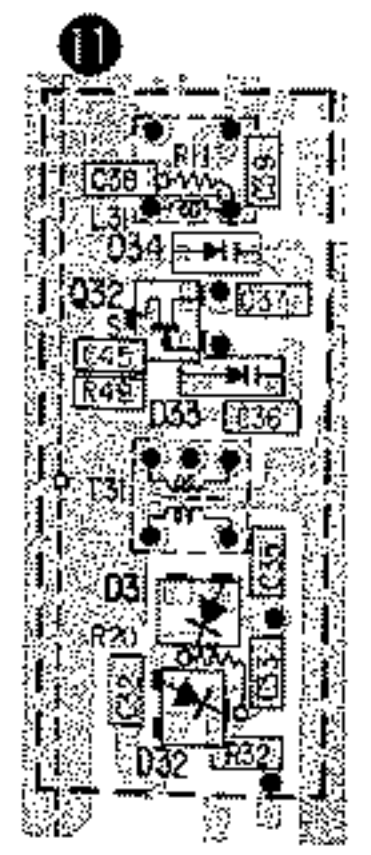
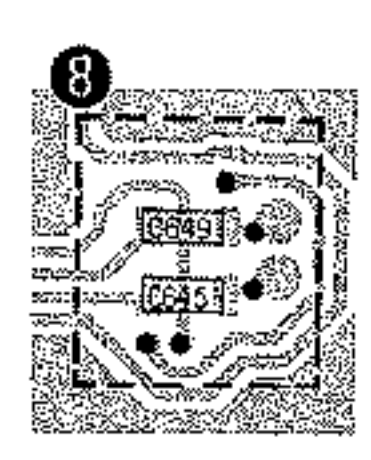
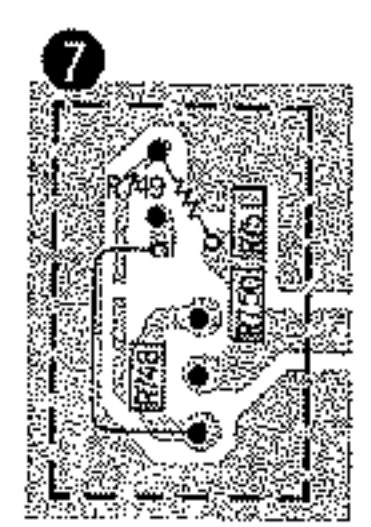
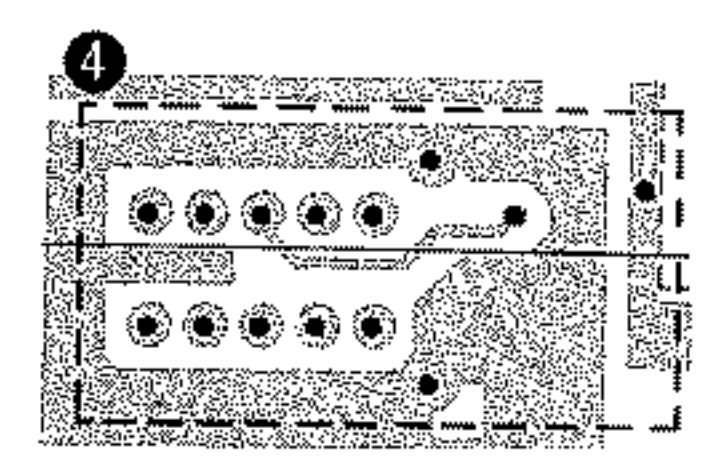
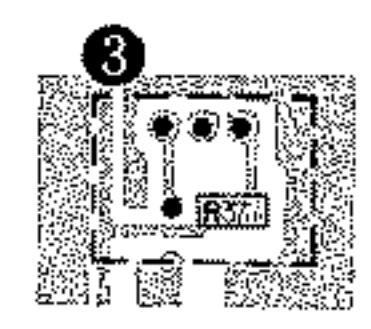


Note on Schematic Diagram:

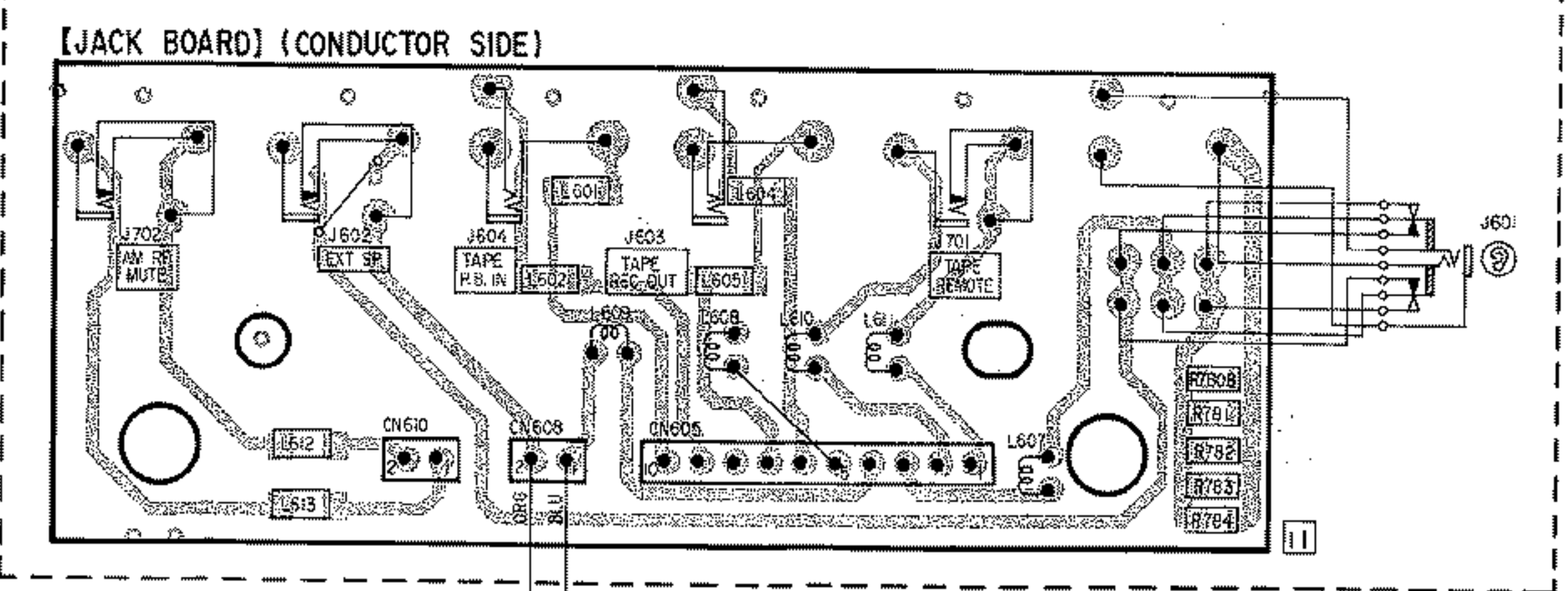
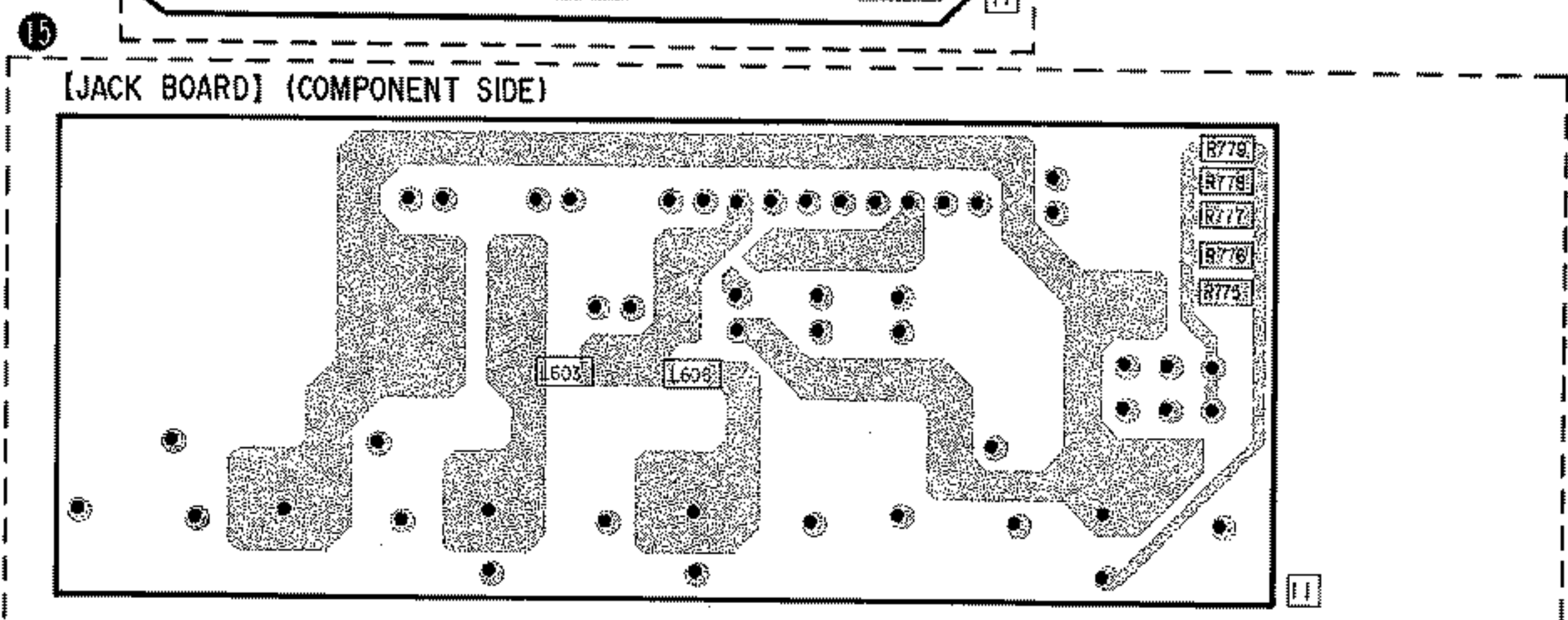
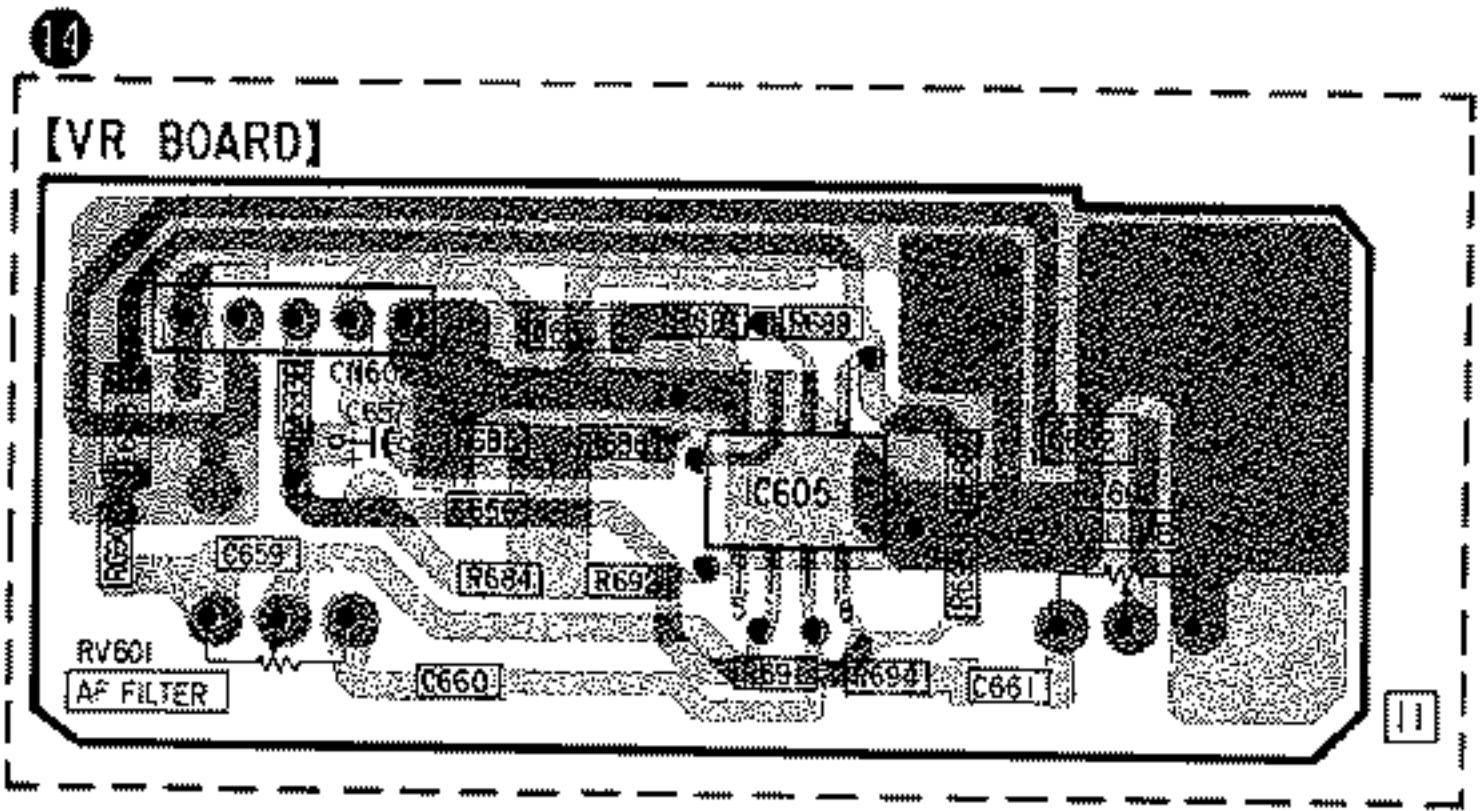
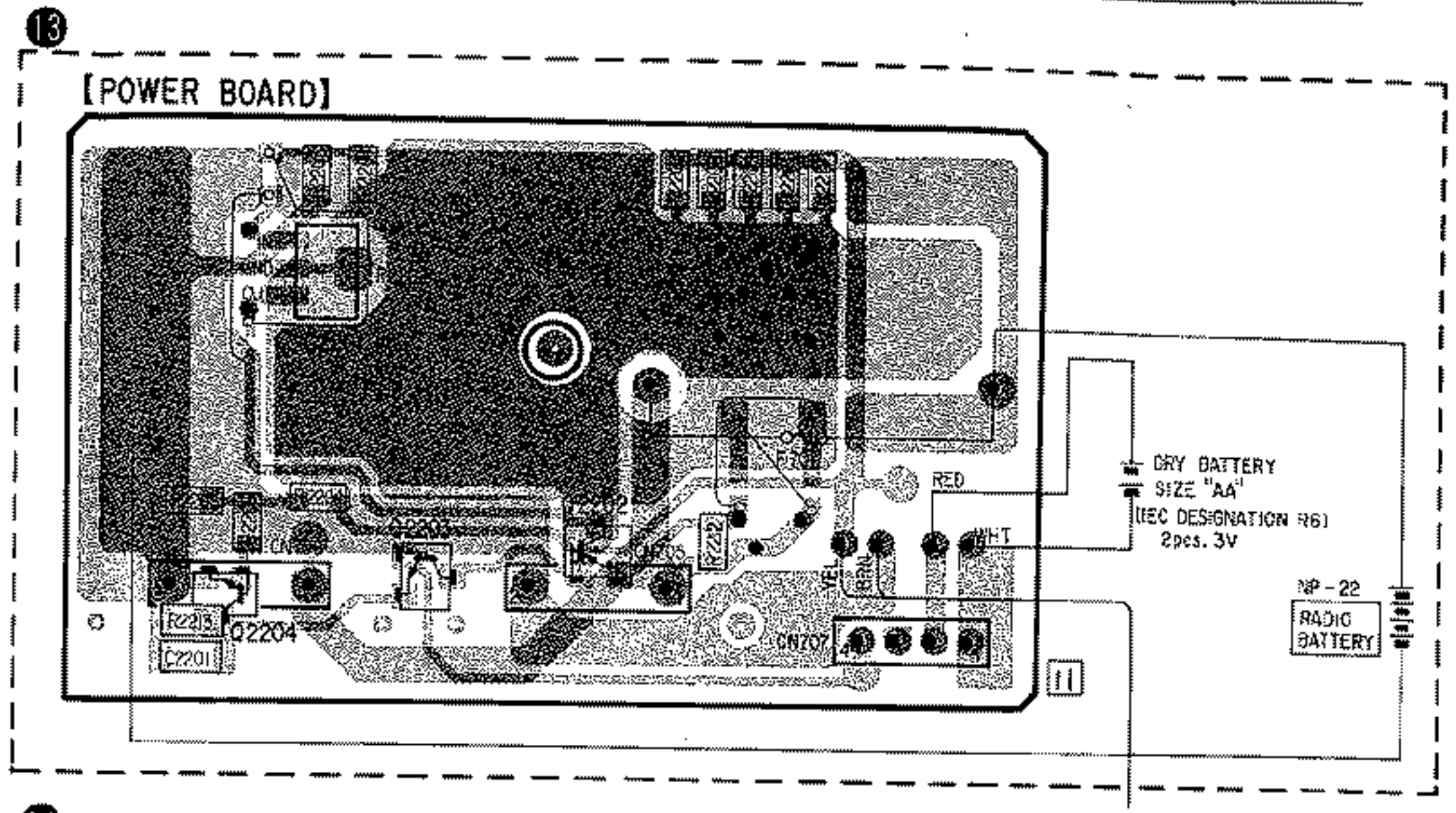
- All capacitors are in  $\mu\text{F}$  unless otherwise noted. pF:  $\mu\text{pF}$  50WV or less are not indicated except for electrolytics and tantalums.
- All resistors are in  $\Omega$  and  $\frac{1}{4} \text{W}$  or less unless otherwise specified.
- $\Delta$  : internal component.
- $\text{---}$  : B +Line.
- $\text{---}$  : B -Line.
- $\square$  : adjustment for repair.
- Power voltage is dc 8.5V and fed with supplied AC adaptor (ACP-88R) from external power voltage jack.
- Voltage and waveforms are dc with respect to ground under no signal (detuned) conditions.
- Voltage are shown by no mark if the same value is obtained in all mode.
- no mark: AM (1023kHz)
- ( ): FM (98.1MHz)
- < > : SAT (GMS)
- [ ] : FAX (3622.5kHz)
- Voltages are taken with a VOM. (Input impedance 10M $\Omega$ )
- Voltage variations may be noted due to normal production tolerances.
- Signal path.
- $\curvearrowright$  : FM



6	7	8	9
---	---	---	---

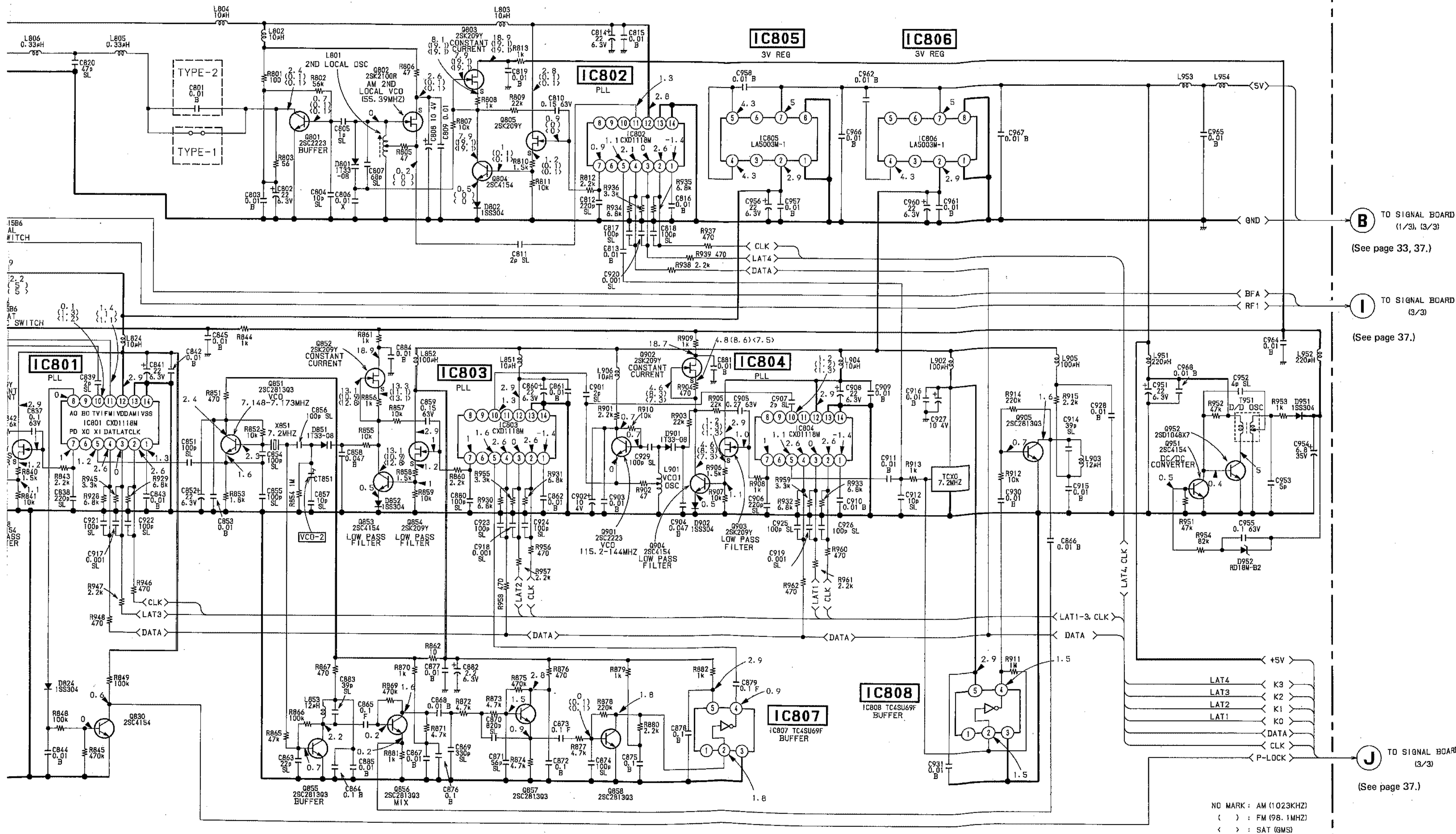


10	11	12	13	14
----	----	----	----	----



IC802

	1	2	3	4	5	6	7	8	9	10	11	12	13	14
FM	0	2.6	0	2.1	0.1	-	0	-	-	0.1	0.1	0	0	0
SAT	0	2.6	0	2.1	0.1	-	0	-	-	0.1	0.1	0	0	0



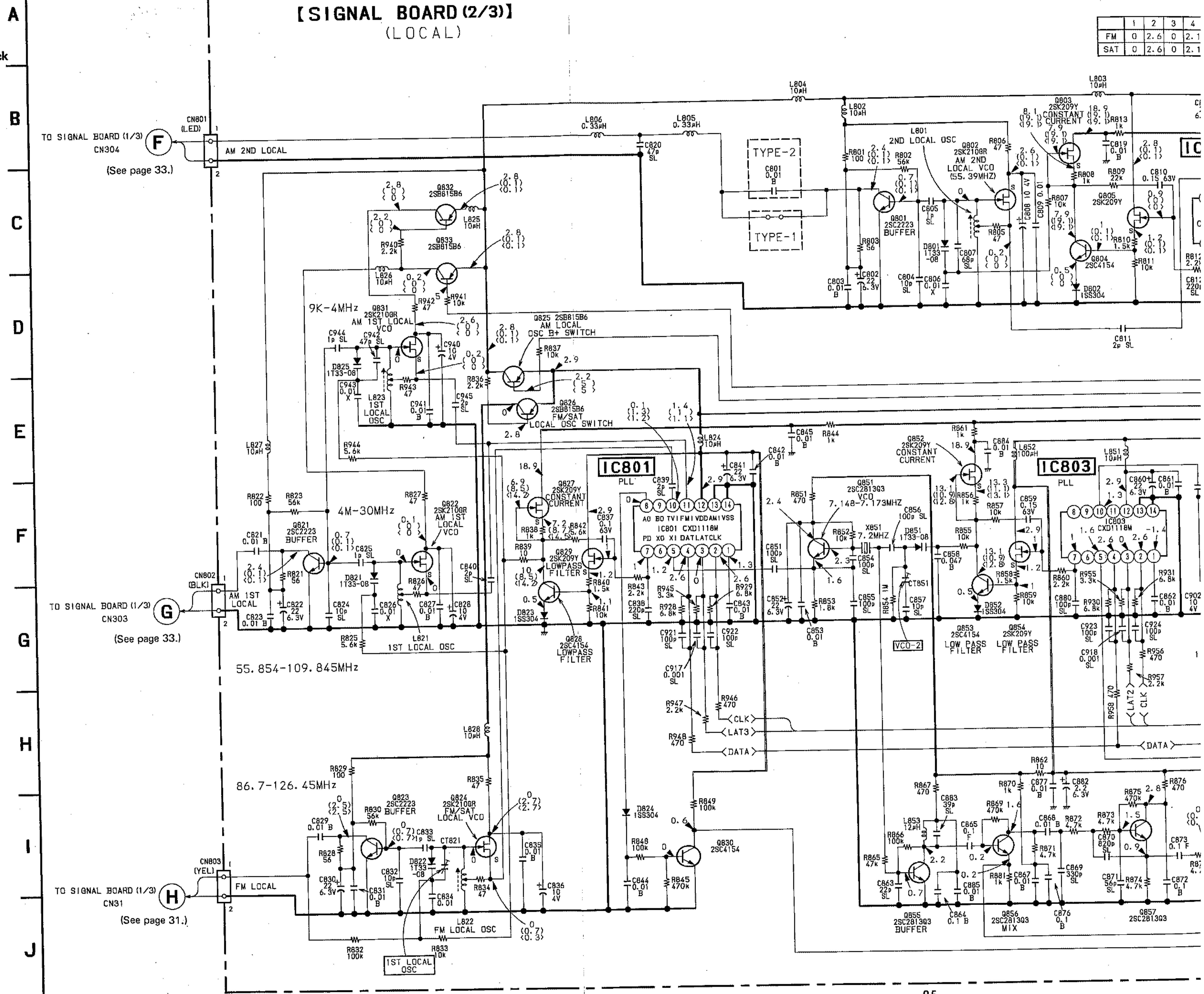
B TO SIGNAL BOARD (1/3, 3/3)  
(See page 33, 37.)

I TO SIGNAL BOARD (3/3)  
(See page 37.)

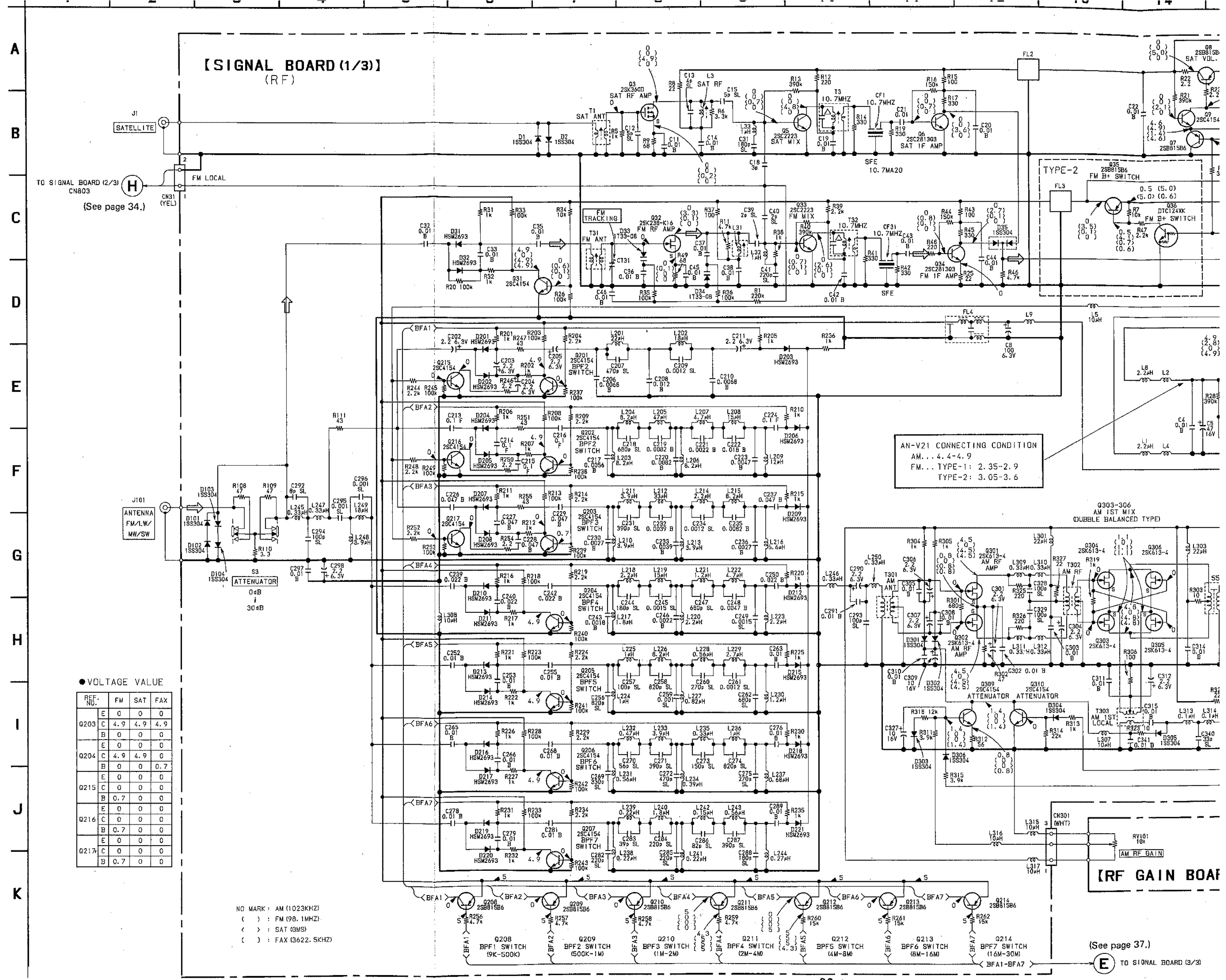
J TO SIGNAL BOARD (3/3)  
(See page 37.)

NO MARK : AM (1023KHZ)  
( ) : FM (98.1MHZ)  
< > : SAT (GMS)

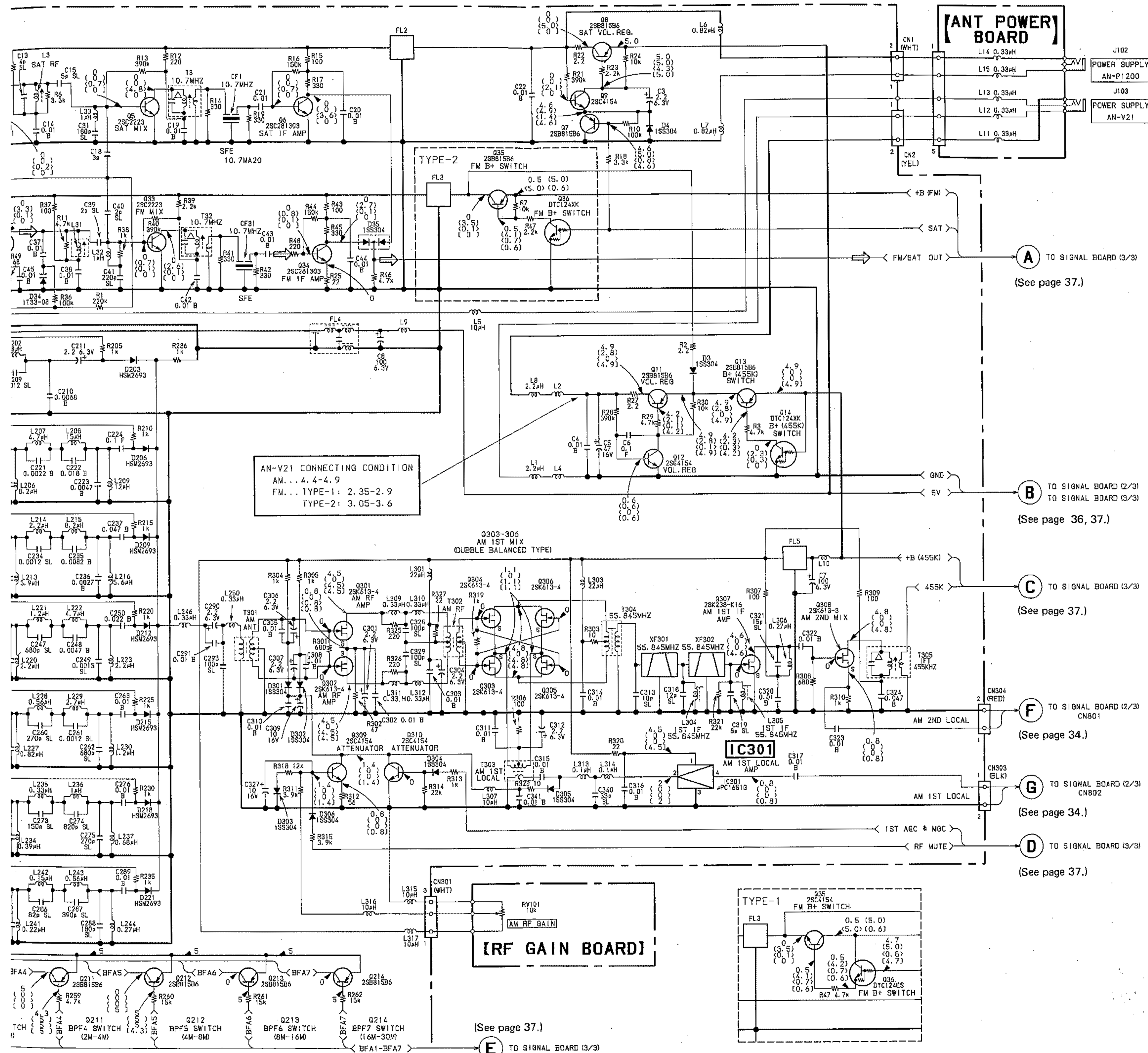
- 4-10.  
**SCHEMATIC DIAGRAM**  
 - LOCAL OSC SECTION -  
 • Refer to page 23 for note.  
 • Refer to page 69 for IC Block Diagrams.



4-9. SCHEMATIC DIAGRAM  
 - RF AMP/MIXER SECTION -  
 • Refer to page 23 for note.



(See page 37.)



AN-V21 CONNECTING CONDITION  
 AM... 4-4-9  
 FM... TYPE-1: 2.35-2.9  
 TYPE-2: 3.05-3.6

(See page 37.)

A TO SIGNAL BOARD (3/3)  
 (See page 37.)

B TO SIGNAL BOARD (2/3)  
 TO SIGNAL BOARD (3/3)  
 (See page 36, 37.)

C TO SIGNAL BOARD (3/3)  
 (See page 37.)

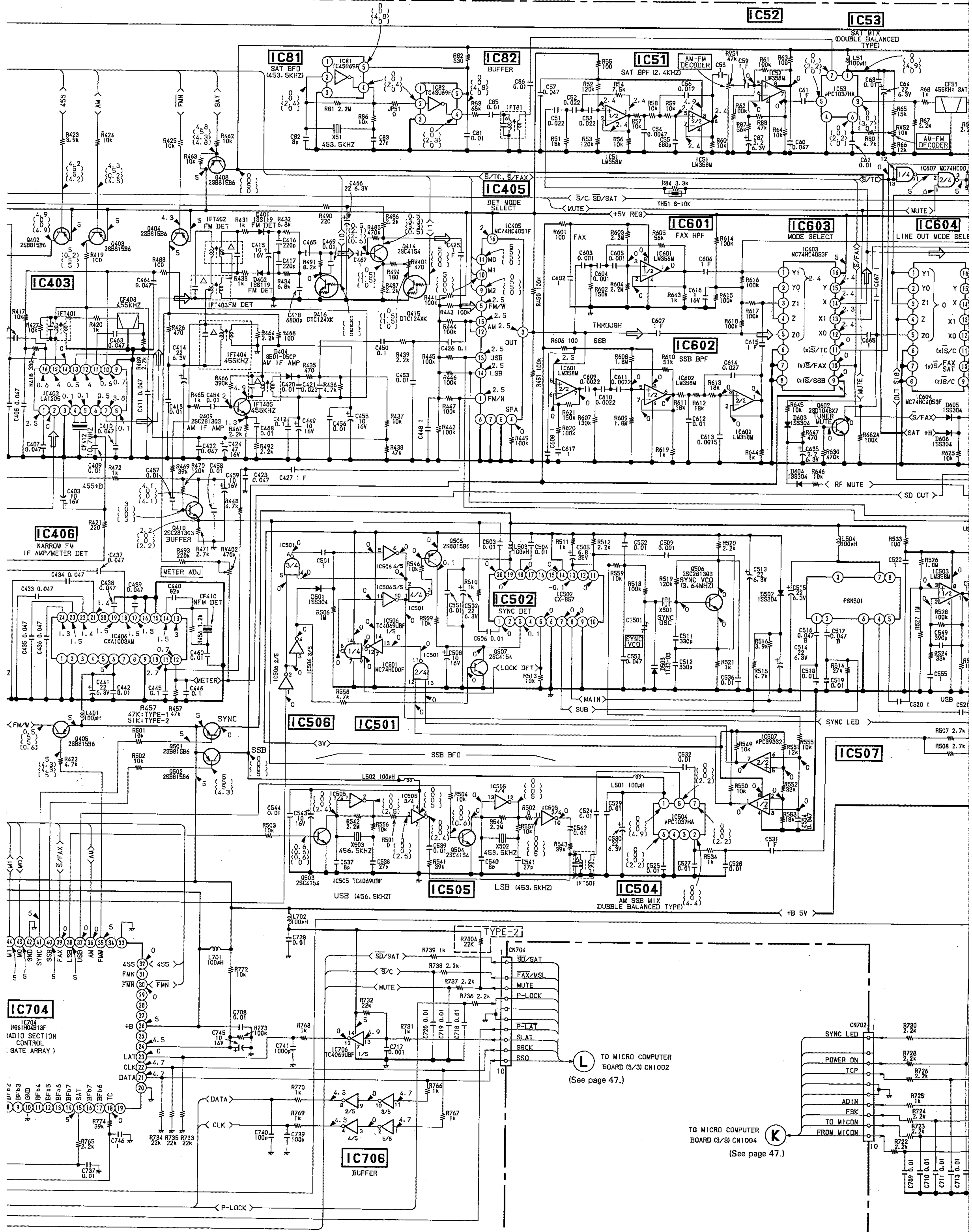
F TO SIGNAL BOARD (2/3)  
 CN801  
 (See page 34.)

G TO SIGNAL BOARD (2/3)  
 CN802  
 (See page 34.)

D TO SIGNAL BOARD (3/3)  
 (See page 37.)

E TO SIGNAL BOARD (3/3)





IC81  
SAT BFD  
(453.5KHZ)

IC82  
BUFFER

IC51  
AM-FM  
DECODER

IC52

IC53  
SAT MIX  
DOUBLE BALANCED  
TYPE

IC403

IC405  
DET MODE  
SELECT

IC601  
FAX HPF

IC603  
MODE SELECT

IC604  
LINE OUT MODE SELE

IC406  
NARROW FM  
IF AMP/METER DET

IC502  
SYNC DET

IC506

IC501

IC507

IC505  
USB (456.5KHZ)

IC504  
LSB (453.5KHZ)

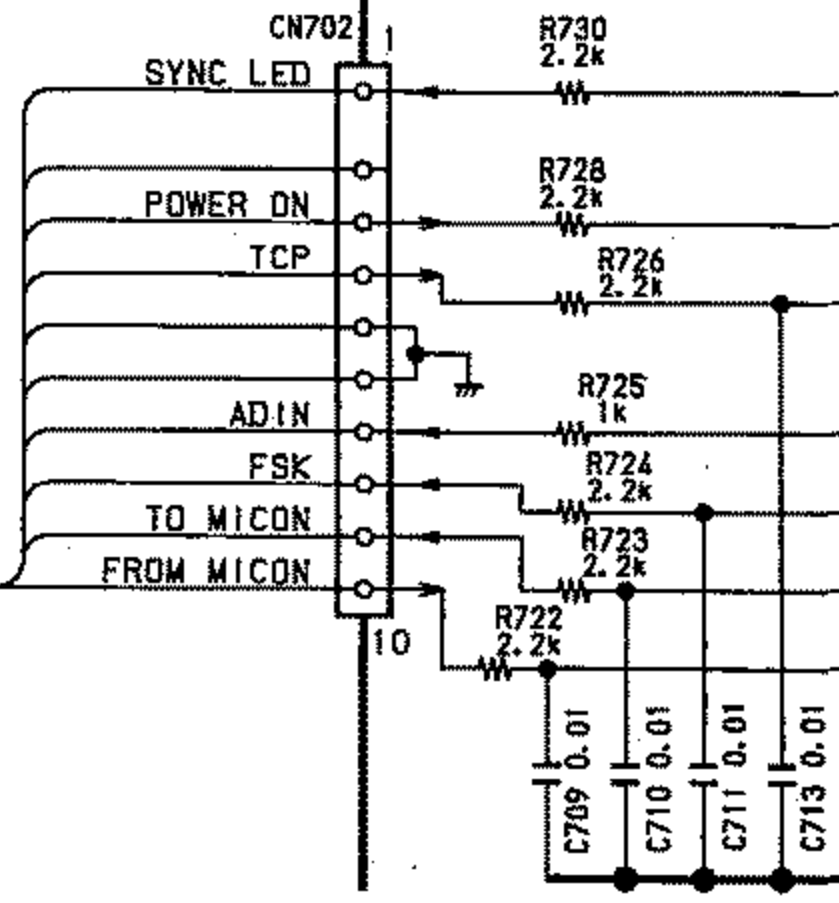
IC504  
AM SSB MIX  
DOUBLE BALANCED  
TYPE

IC704  
H061H04B13F  
RADIO SECTION  
CONTROL  
(GATE ARRAY)

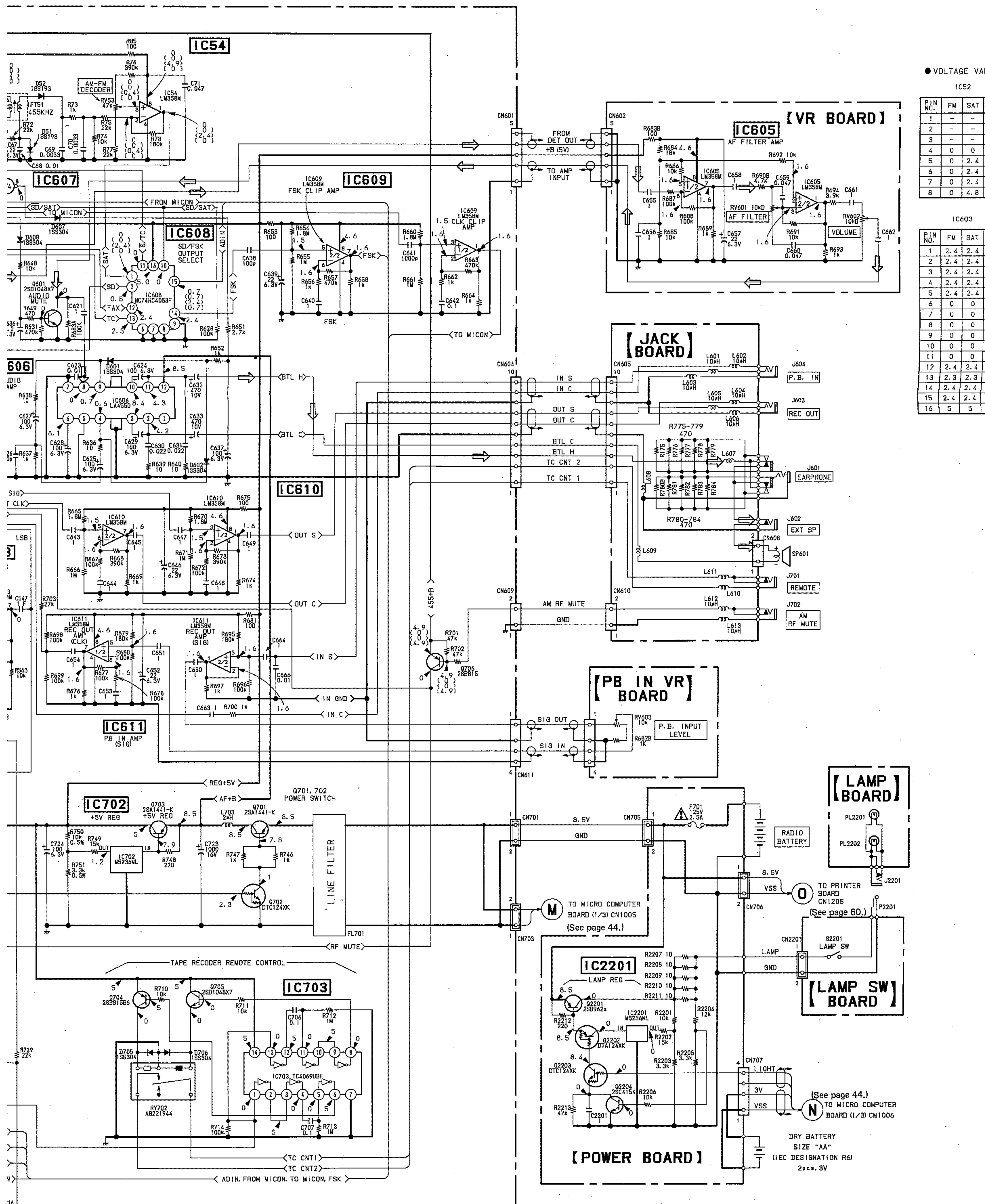
IC706  
BUFFER

TO MICRO COMPUTER  
BOARD (3/3) CN1002  
(See page 47.)

TO MICRO COMPUTER  
BOARD (3/3) CN1004  
(See page 47.)







● VOLTAGE VALUE

IC52

PIN NO.	FM	SAT	F
1	-	-	-
2	-	-	-
3	-	-	-
4	0	0	0
5	0	2.4	2
6	0	2.4	2
7	0	2.4	2
8	0	4.8	4

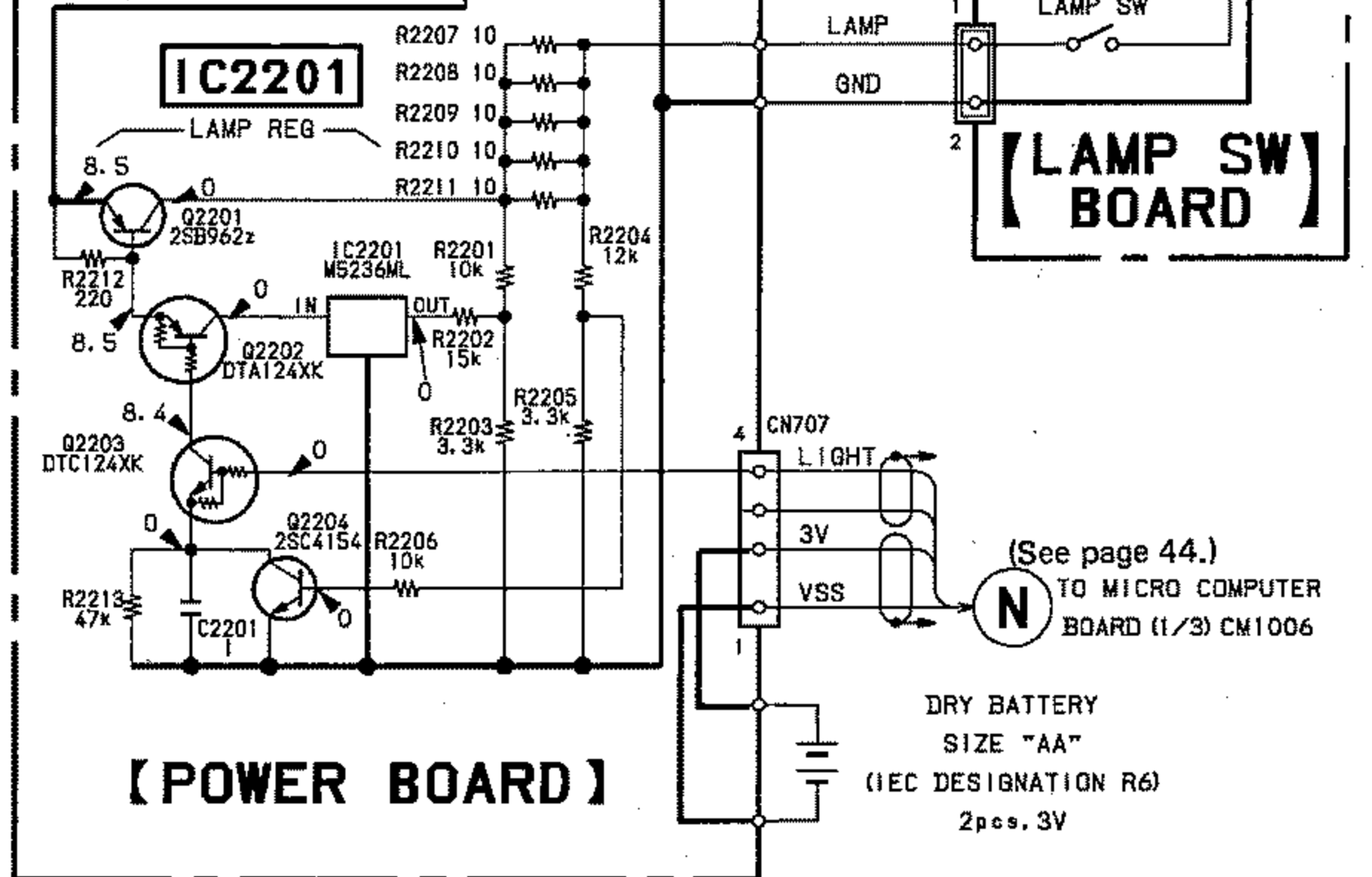
IC603

PIN NO.	FM	SAT	F
1	2.4	2.4	2
2	2.4	2.4	2
3	2.4	2.4	2
4	2.4	2.4	2
5	2.4	2.4	2
6	0	0	0
7	0	0	0
8	0	0	0
9	0	0	0
10	0	0	0
11	0	0	0
12	2.4	2.4	2
13	2.3	2.3	2
14	2.4	2.4	2
15	2.4	2.4	2
16	5	5	5

**Note:**  
The components identified by mark or dotted line with mark are critical for safety. Replace only with part number specified.

**Note:**  
Les composants identifiés par une marque sont critiques pour la sécurité. Ne les remplacer que par une pièce portant le numéro spécifié.

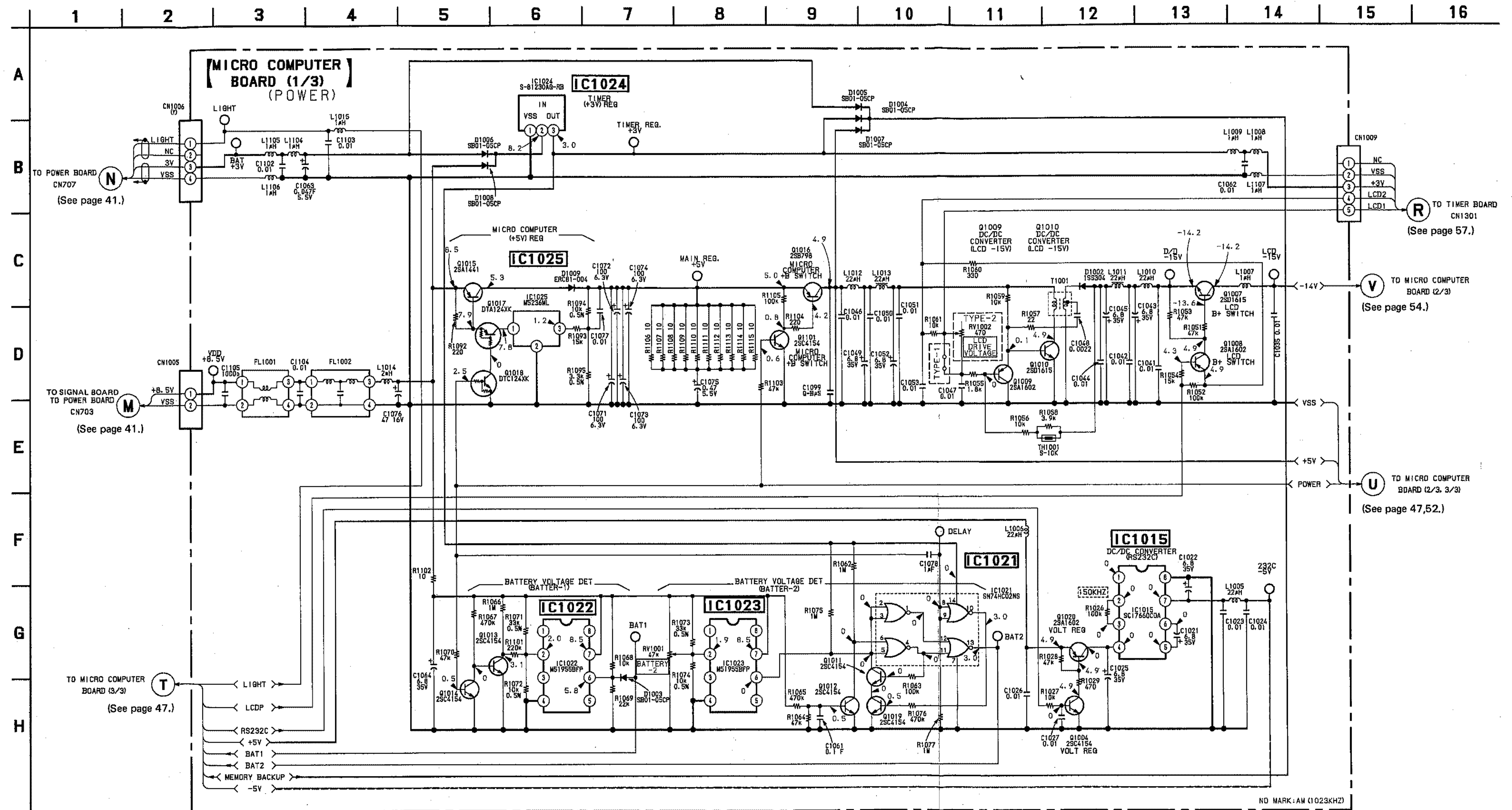
NO MARK: AM (1023KHZ)  
( ) : FM (98.1MHZ)  
< > : SAT (GMS)  
( ) : FAX (3622.5KHZ)



**[POWER BOARD]**  
TO MICRO COMPUTER BOARD (1/3) CN1005 (See page 44.)  
TO MICRO COMPUTER BOARD (1/3) CN1006 (See page 44.)  
DRY BATTERY SIZE "AA" (IEC DESIGNATION R6) 2 pos. 3V

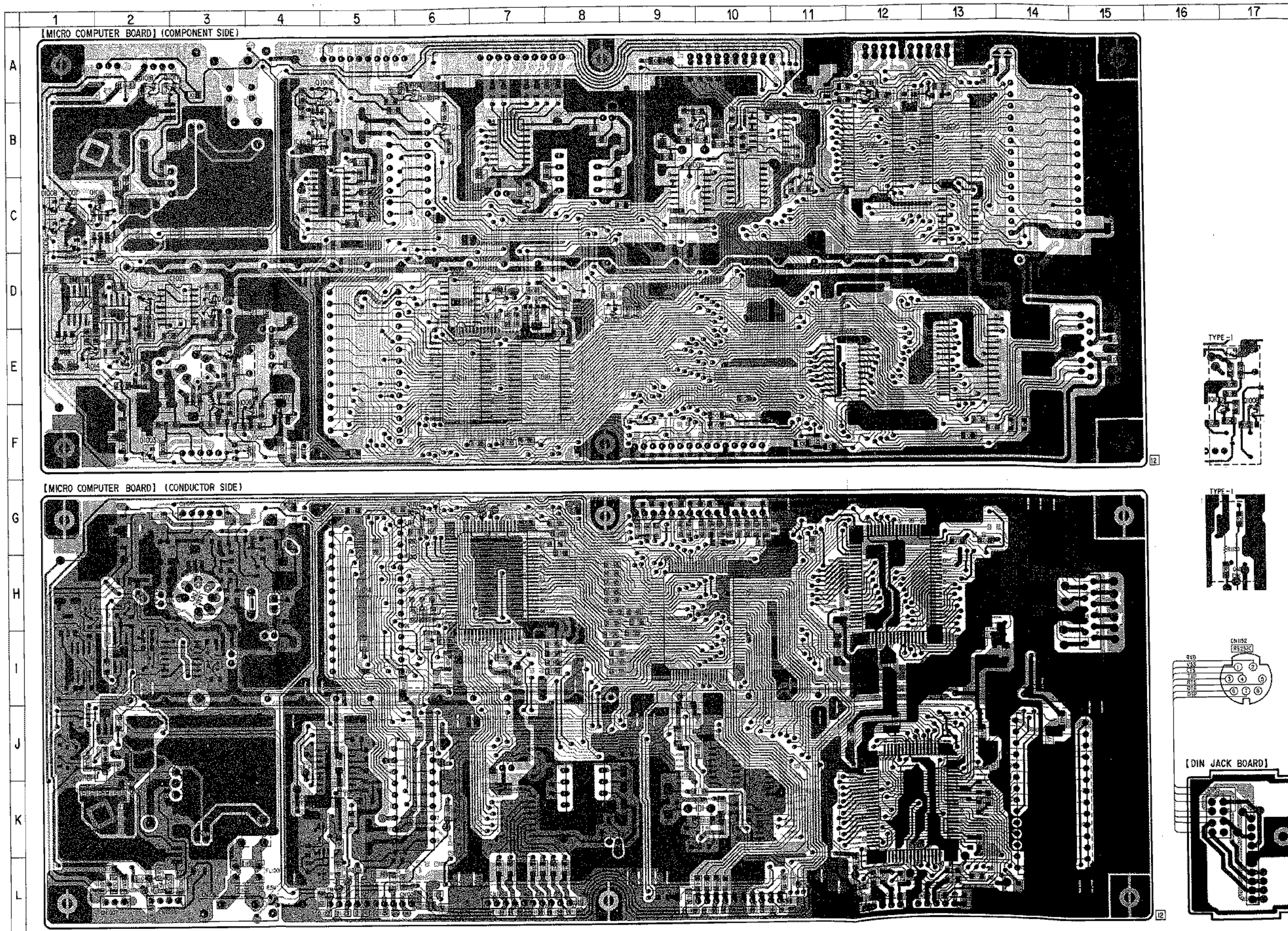
4-13. SCHEMATIC DIAGRAM

- MICRO COMPUTER POWER SUPPLY SECTION - Refer to page 23 for note.



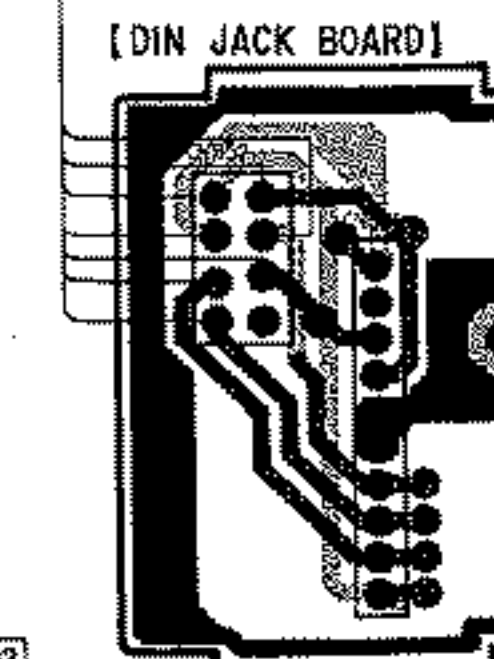
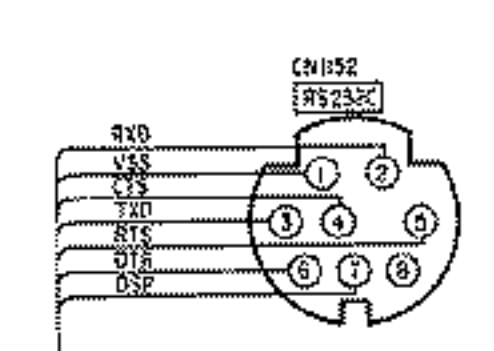
PRINTED WIRING BOARDS  
MICRO COMPUTER SECTION -

- Refer to DESTINATION CODE on page 4 for R1124 mounting location.
- Refer to page 19 for note.
- Refer to page 17 for Semiconductor Lead Layouts.

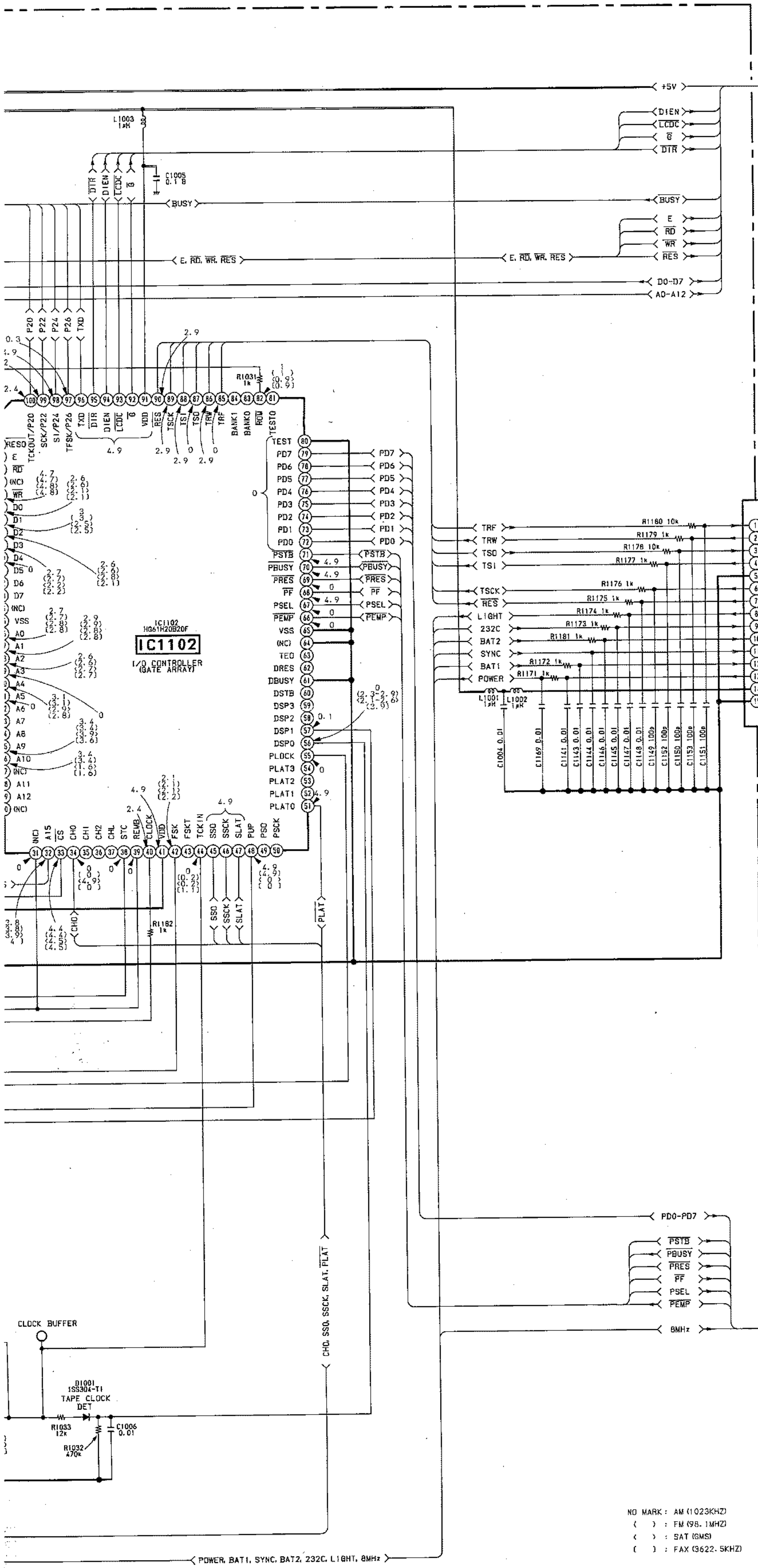


Locator Location

Location	Ref. No.	Location
D-8	IC1022	D-2
E-3	IC1023	D-1
F-2	IC1024	C-2
C-1	IC1025	B-2
C-1	IC1101	H-7
C-1	IC1102	H-9
C-1	IC1103	H-12
C-1	IC1104	K-12
K-2		
	Q1001	A-12
E-13	Q1002	C-11
E-11	Q1003	B-9
K-14	Q1004	A-8
C-13	Q1005	B-6
B-13	Q1006	A-4
B-12	Q1007	F-4
B-10	Q1008	F-3
C-10	Q1009	F-3
C-9	Q1010	F-3
E-7	Q1011	D-3
E-6	Q1012	D-2
D-7	Q1013	E-2
D-6	Q1014	E-1
H-5	Q1015	K-2
K-8	Q1016	C-2
B-7	Q1017	A-2
J-6	Q1018	A-2
C-5	Q1019	D-3
B-4	Q1020	C-7
B-4	Q1101	J-1
D-3	Q1102	G-6



VOLTAGE VALUE



IC1010				IC1011				IC1014			
PIN NO.	FM	SAT	FAX	PIN NO.	FM	SAT	FAX	PIN NO.	FM	SAT	FAX
1	4.9	4.9	4.9	1	4.8	4.8	4.8	1	3.9	4	4
2	2.1	1.6	1.6	2	2.1	1.6	1.6	2	2.1	1.6	1.6
3	3.7	3.7	3.7	3	3.7	3.7	3.6	3	3.7	3.7	3.7
4	3.7	3.1	3.2	4	3.7	3.1	3.2	4	3.7	3.1	3.2
5	2.8	2.8	2.9	5	2.8	2.8	2.9	5	2.8	2.8	2.9
6	3.1	2.9	2.9	6	3.1	2.9	2.9	6	3.1	3	2.9
7	2.8	2.8	2.9	7	2.8	2.8	2.9	7	2.8	2.8	2.9
8	2.6	2.7	2.7	8	2.6	2.7	2.7	8	2.6	2.7	2.7
9	2.9	2.8	2.8	9	2.9	2.8	2.8	9	2.9	2.8	2.8
10	2.7	2.8	2.8	10	2.7	2.8	2.8	10	2.7	2.8	2.8
11	2.6	2.1	2.1	11	2.6	2.1	2.1	11	2.6	2.1	2.1
12	3	2.5	2.5	12	3	2.5	2.5	12	3	2.5	2.5
13	2.6	2.2	2.2	13	2.6	2.2	2.2	13	2.6	2.2	2.2
14	0	0	0	14	0	0	0	14	0	0	0
15	2.7	2.2	2.2	15	2.7	2.2	2.2	15	2.7	2.2	2.2
16	1.6	2	2	16	1.6	2	2	16	1.6	2	2
17	2.5	2	2	17	2.5	2	2	17	2.5	2	2
18	1.5	1.2	1.2	18	1.5	1.2	1.2	18	1.5	1.2	1.2
19	2	1.9	1.9	19	2	1.9	1.9	19	2	1.9	1.9
20	4.4	4.4	4.4	20	4.9	4.9	4.9	20	1	0.9	0.9
21	3.4	1.6	1.6	21	3.4	1.6	1.6	21	3.4	1.6	1.6
22	3	2.9	2.9	22	3	2.9	2.9	22	3	2.9	2.9
23	1.9	3.3	3.3	23	1.9	3.3	3.3	23	1.9	3.3	3.3
24	3.4	3.9	3.6	24	3.4	3.9	3.6	24	3.4	3.9	3.6
25	3.3	2.9	3.1	25	3.3	2.9	3.1	25	3.3	2.9	3.1
26	4.9	4.9	4.9	26	4.9	4.9	4.9	26	2.1	3.3	3.3
27	4.7	4.8	4.8	27	4.7	4.8	4.8	27	2.7	1.2	1.2
28	4.9	4.9	4.9	28	4.9	4.9	4.9	28	4.9	4.9	4.9

IC1101											
PIN NO.	FM	SAT	FAX	PIN NO.	FM	SAT	FAX	PIN NO.	FM	SAT	FAX
1	2.9	2.9	2.9	31	0	0	0	61	0	0	0
2	-	-	-	32	0	0	0	62	2.6	2.2	2.1
3	-	-	-	33	4.9	4.9	4.9	63	-	-	-
4	-	-	-	34	3.8	3.9	4	64	3.0	2.5	2.5
5	2.4	2.4	2.4	35	2.7	1.2	1.2	65	2.6	2.1	2.1
6	0.5	0.5	0.5	36	2.1	3.3	3.4	66	-	-	-
7	0	0	0	37	2.1	1.5	1.6	67	-	-	-
8	4.9	4.9	4.9	38	1.9	3.3	3.2	68	-	-	-
9	4.9	4.9	4.9	39	3.4	1.7	1.6	69	-	-	-
10	4.9	4.9	4.9	40	3.4	3.9	3.6	70	4.7	4.8	4.8
11	0	0	0	41	0	0	0	71	2.9	2.9	2.9
12	4.9	4.9	4.9	42	0	0	0	72	2.4	2.4	2.4
13	-	-	-	43	3.7	2.9	3.1	73	0	0	0
14	4.9	4.9	4.9	44	0	0	0	74	-	-	-
15	4.9	4.9	4.9	45	3.7	3.7	3.7	75	2	2	2
16	4.9	4.9	4.9	46	3.7	3.1	3.2	76	-	-	-
17	4.9	4.9	4.9	47	2.8	2.8	2.8	77	4.9	4.9	4.9
18	0	0	0	48	3.1	2.9	2.9	78	0	0	0
19	0	0	0	49	2.8	2.8	2.9	79	4.9	4.9	4.9
20	0	0	0	50	2.6	2.7	2.7	80	4.9	4.9	4.9
21	0	0	0	51	2.9	2.8	2.8	-	-	-	-
22	0	0	0	52	2.7	2.8	2.8	-	-	-	-
23	0	0	0	53	0	0	0	-	-	-	-
24	0	0	0	54	0	0	0	-	-	-	-
25	0	0	0	55	2	1.9	1.9	-	-	-	-
26	0	0	0	56	1.5	1.1	1.2	-	-	-	-
27	4.9	4.9	4.9	57	2.5	2	1.9	-	-	-	-
28	0	0	0	58	1.6	2	2	-	-	-	-
29	0	0	0	59	2.7	2.2	2.2	-	-	-	-
30	0	0	0	60	0	0	0	-	-	-	-

IC1017			
PIN NO.	FM	SAT	FAX
1	2.4	2.4	2.4
2	0	0	0
3	1.6	2	2
4	2.5	2	1.9
5	1.5	1.2	1.2
6	2	1.9	1.9
7	-	-	-
8	0	0	0
9	0.8	2.4	0.7
10	0	0	0
11	4.9	4.9	4.9
12	0	0	0
13	2.6	2.1	2.1
14	3	2.5	2.5
15	2.6	2.2	2.1
16	2.7	2.2	2.2
17	4.9	4.6	4.6
18	4.9	4.9	4.9

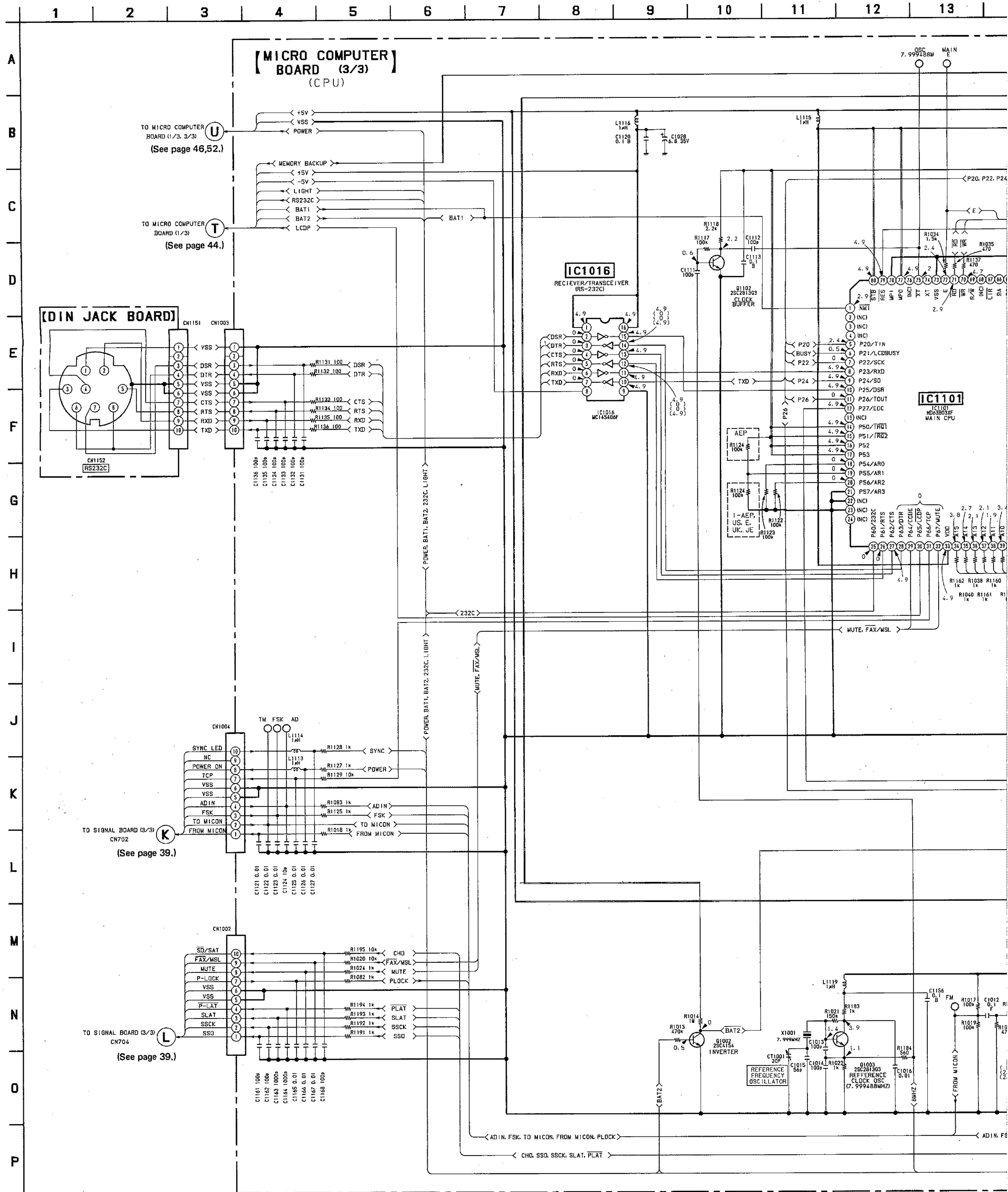
IC1018			
PIN NO.	FM	SAT	FAX
1	-	-	-
2	2.1	2.1	2.4
3	2.2	2.2	2.3
4	2.2	2.2	2.3
5	0	0	0
6	0.8	0.8	0.7
7	0.4	0.4	0.4
8	0	0	0
9	2.1	2.1	2.3
10	-	-	-
11	0.5	0.5	0.7
12	3.7	3.7	3.7
13	-	-	-
14	2.4	2.4	2.4
15	-	-	-
16	4.9	4.9	4.9

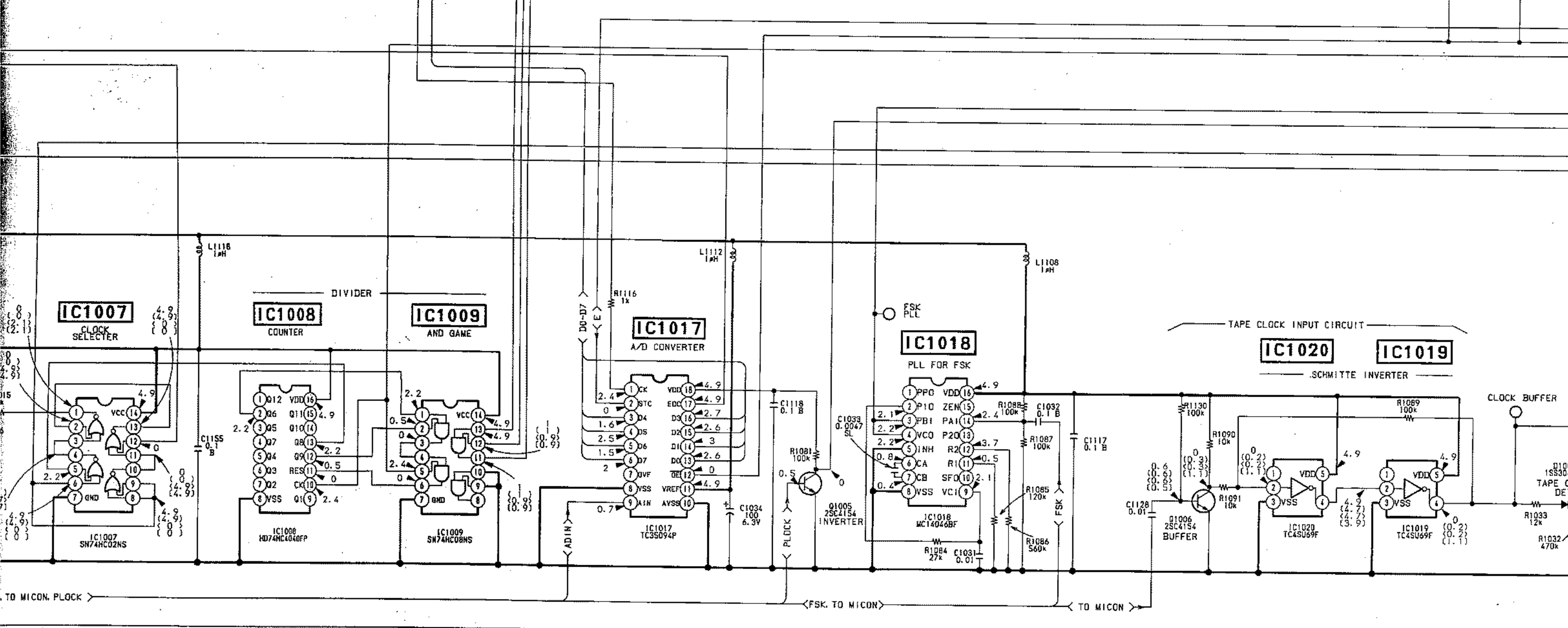
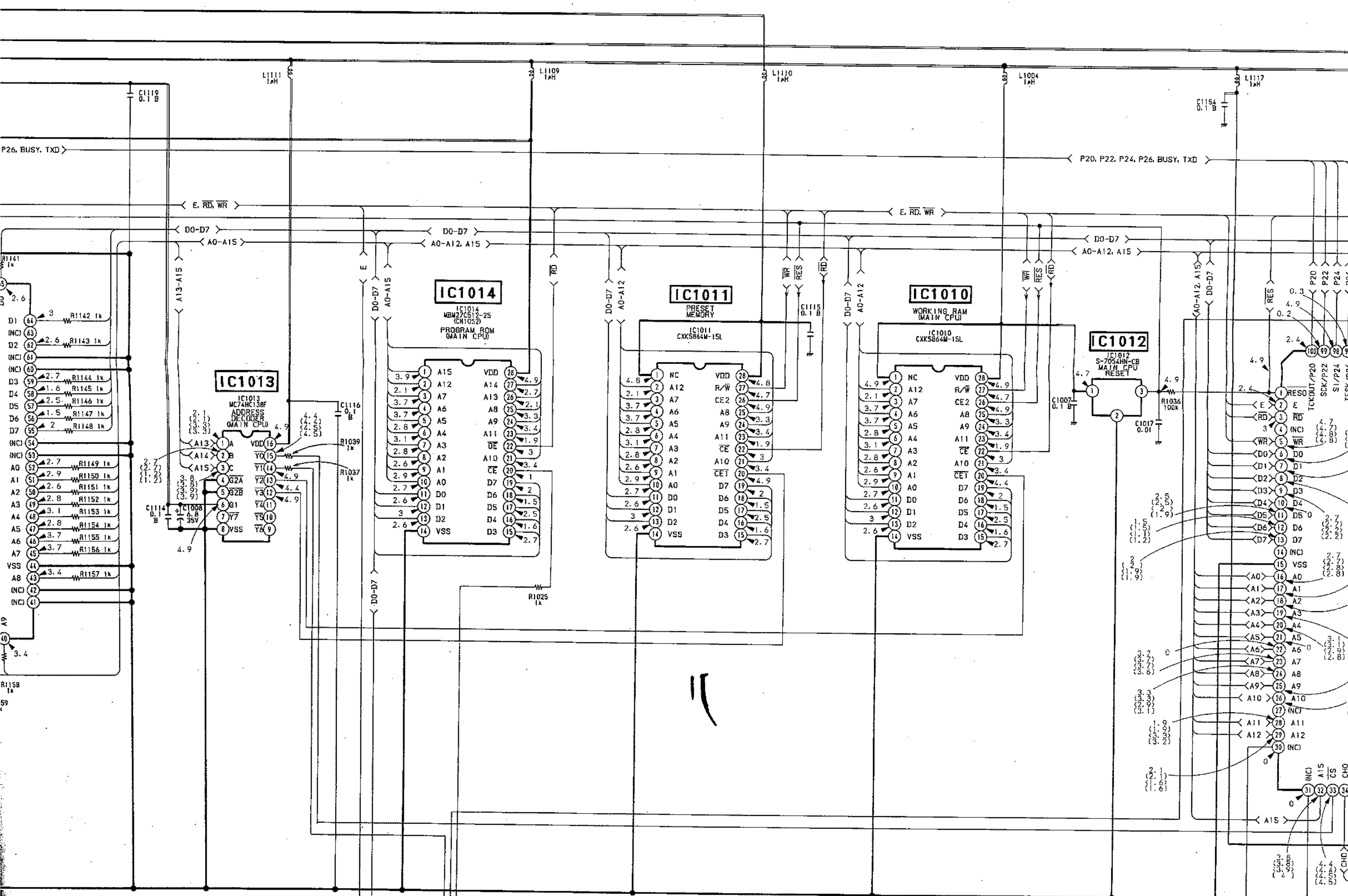
(X) TO MICRO COMPUTER BOARD (2/3) (See page 52.)

(S) TO TIMER BOARD CN1302 (See page 57.)

(Y) TO MICRO COMPUTER BOARD (2/3) (See page 52.)

4-14. SCHEMATIC DIAGRAM  
 - MAIN CONTROL SECTION -  
 • Refer to page 23 for note.



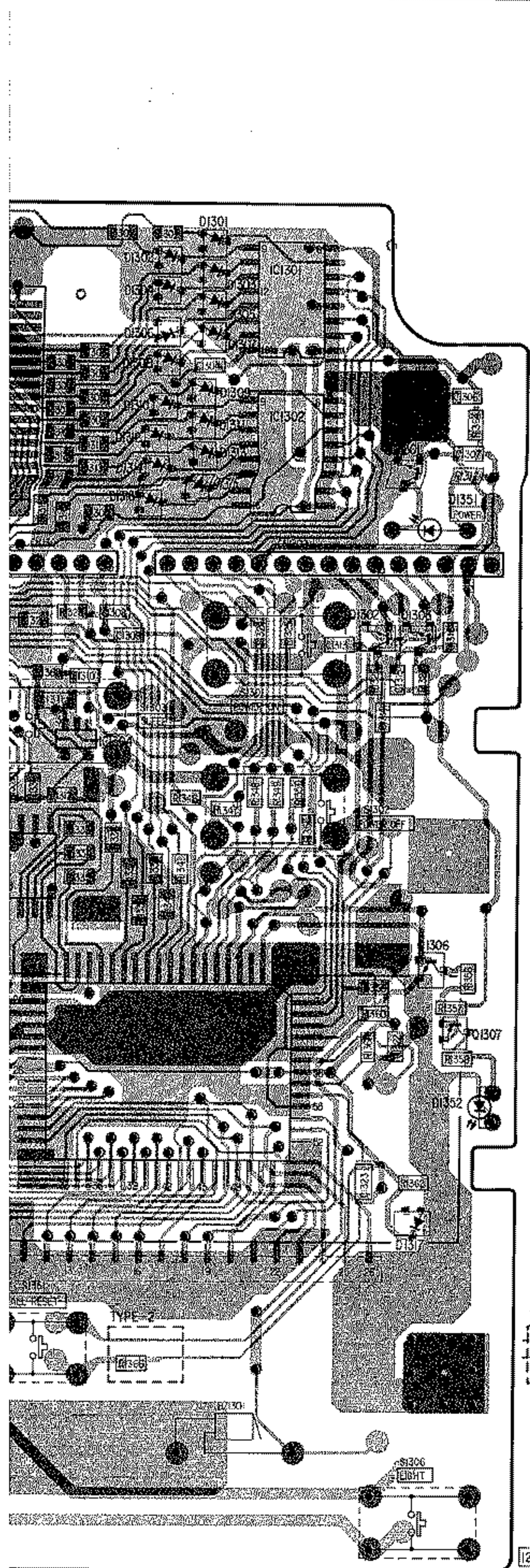
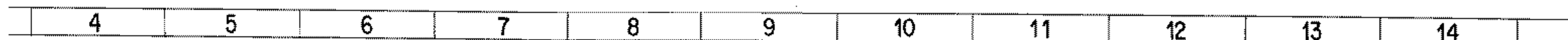


• Semiconductor Location

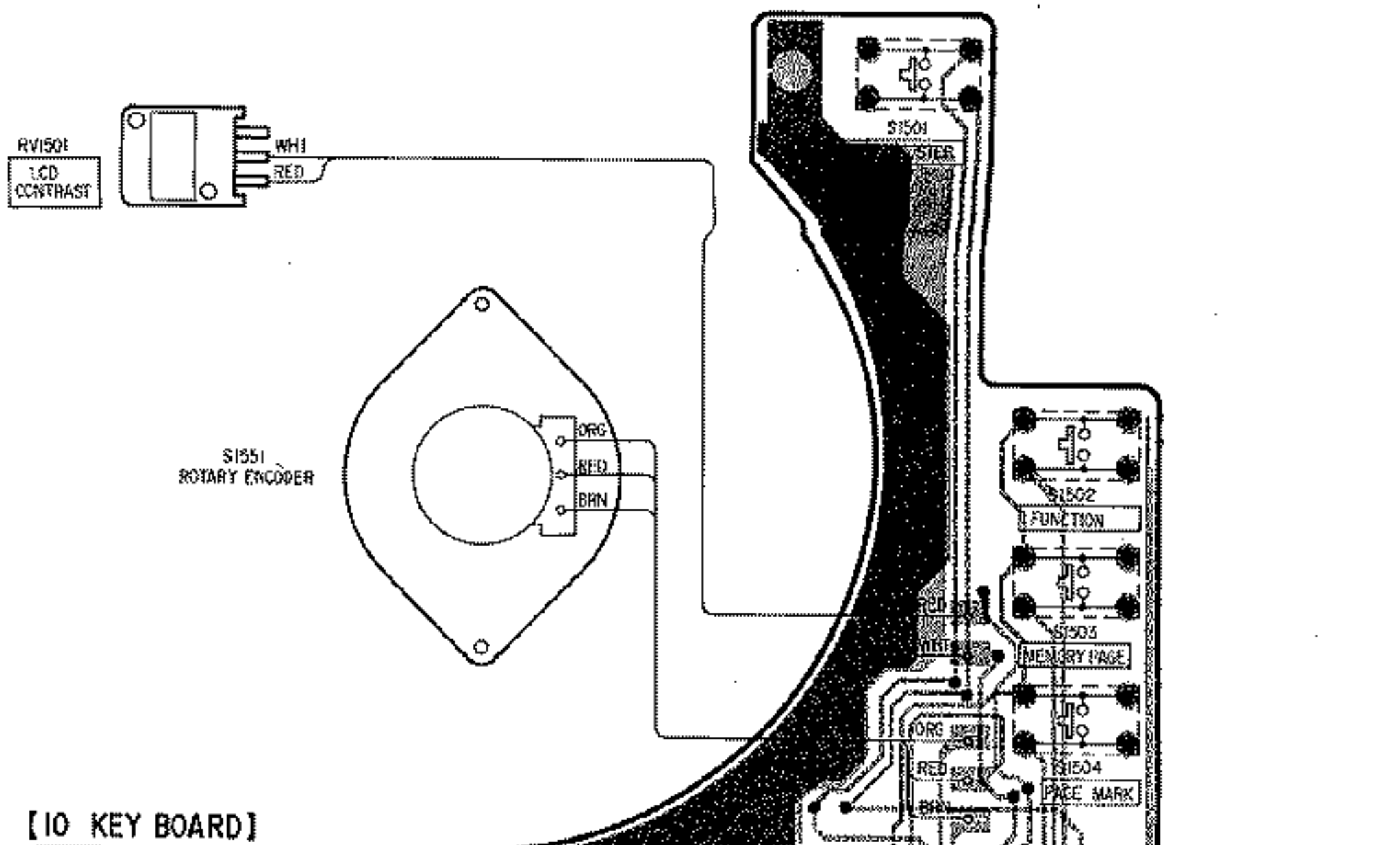
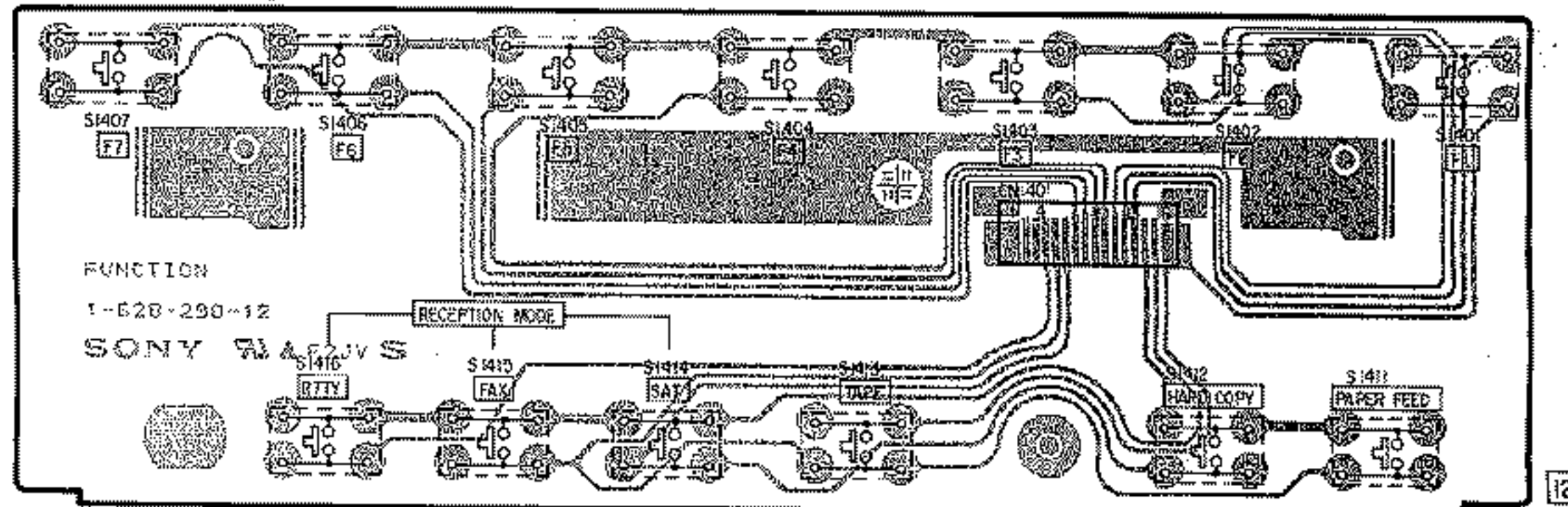
Ref. No.	Location	Ref. No.	Location
D1301	B-5	D1501	K-9
D1302	B-4	D1502	J-14
D1303	B-5		
D1304	C-4	IC1301	C-5
D1305	C-5	IC1302	D-5
D1306	C-4	IC1303	E-2
D1307	C-5	IC1304	F-4
D1308	C-4	IC1305	F-3
D1309	C-5	IC1306	H-4
D1310	C-4	IC1307	G-3
D1311	C-5		
D1312	D-4	Q1301	D-6
D1313	D-5	Q1302	E-6
D1314	D-4	Q1303	E-6
D1315	D-5	Q1304	E-3
D1316	D-4	Q1305	E-3
D1317	I-6	Q1306	G-6
D1351	D-6	Q1307	H-7
D1352	H-7		

7W -

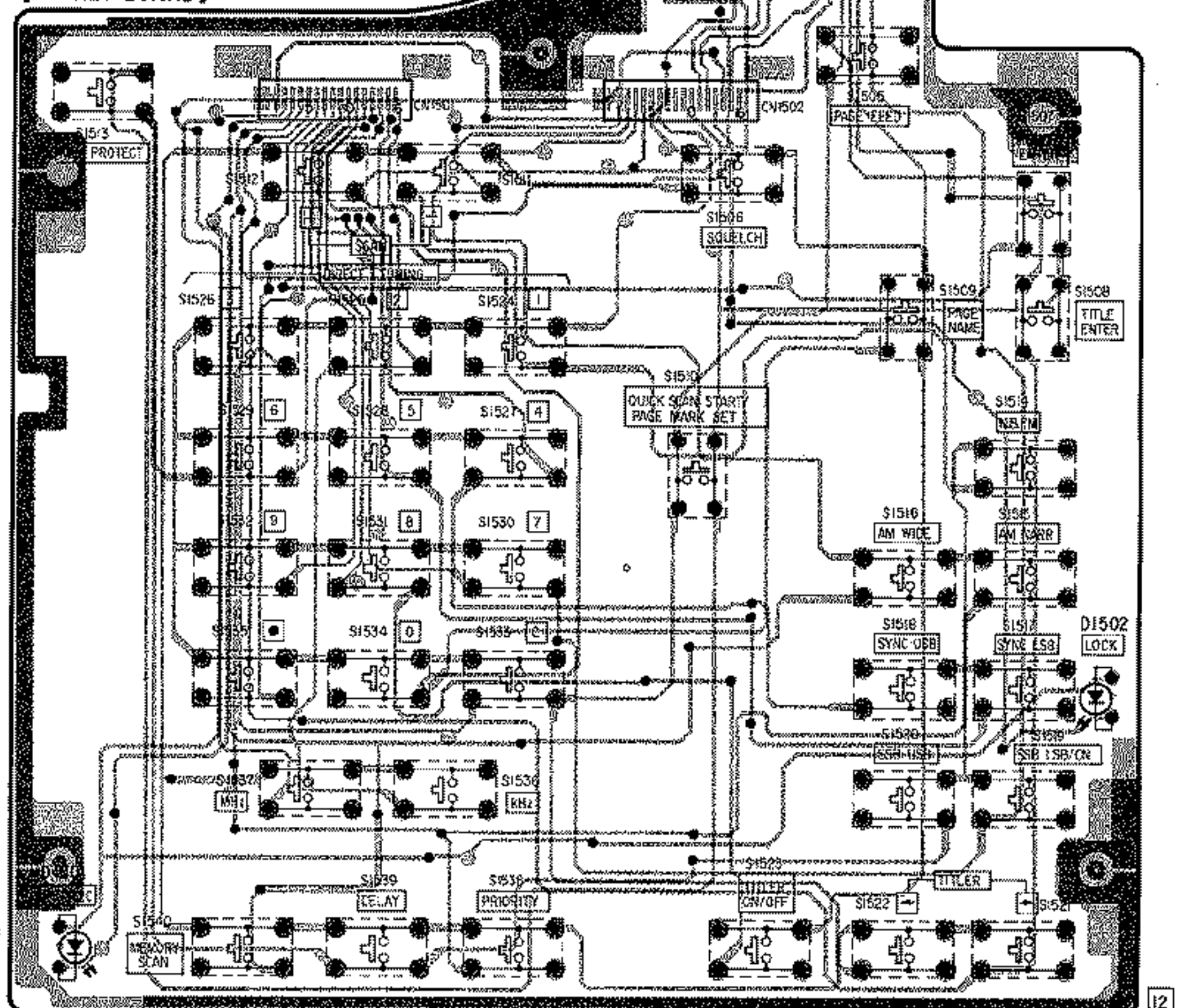
Layouts.

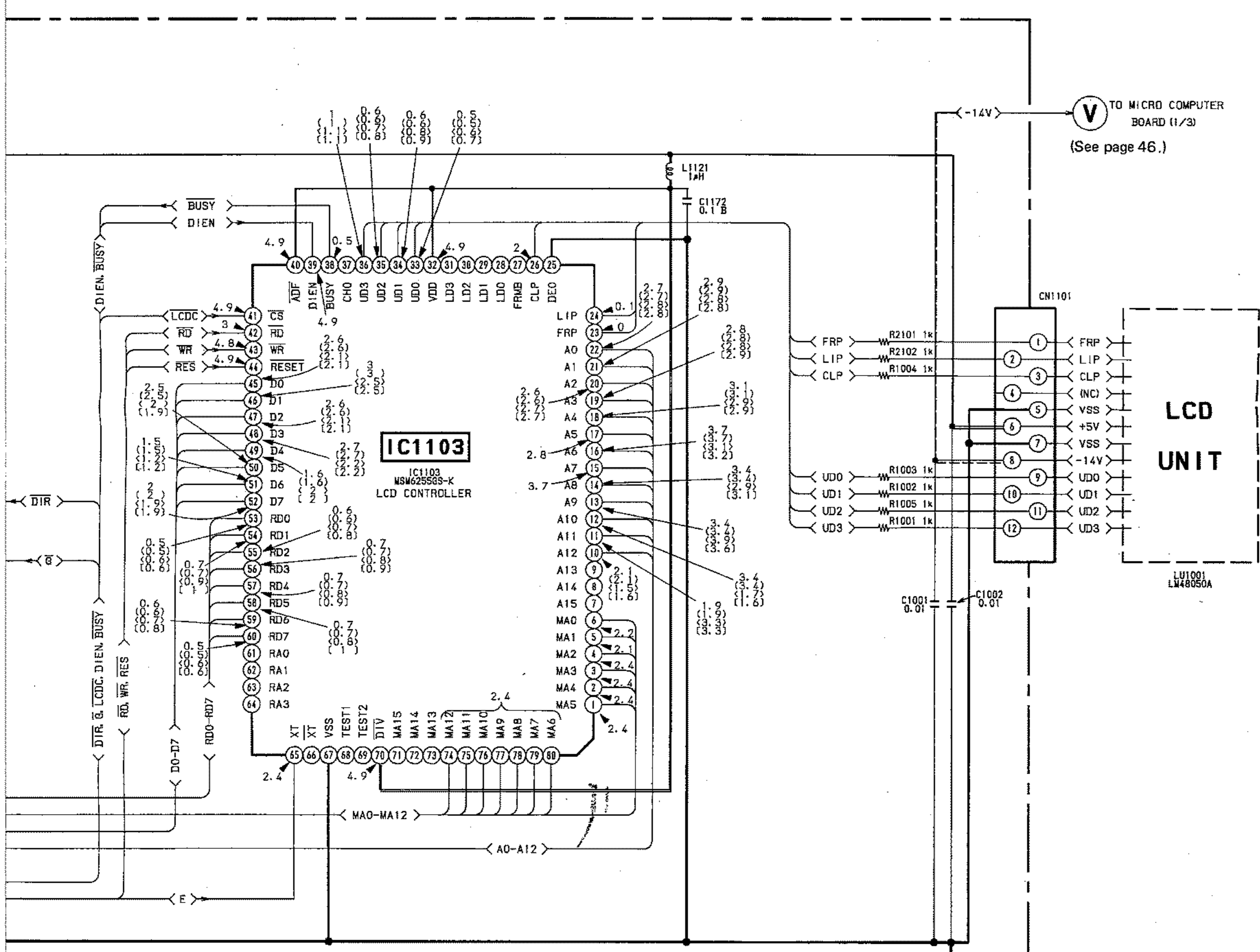


(FUNCTION BOARD)

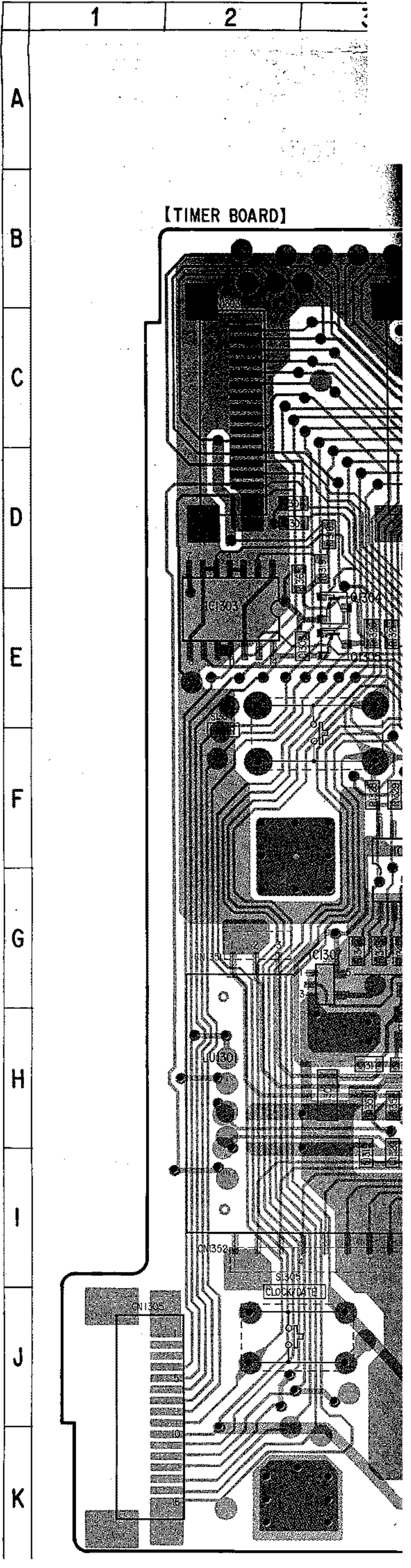
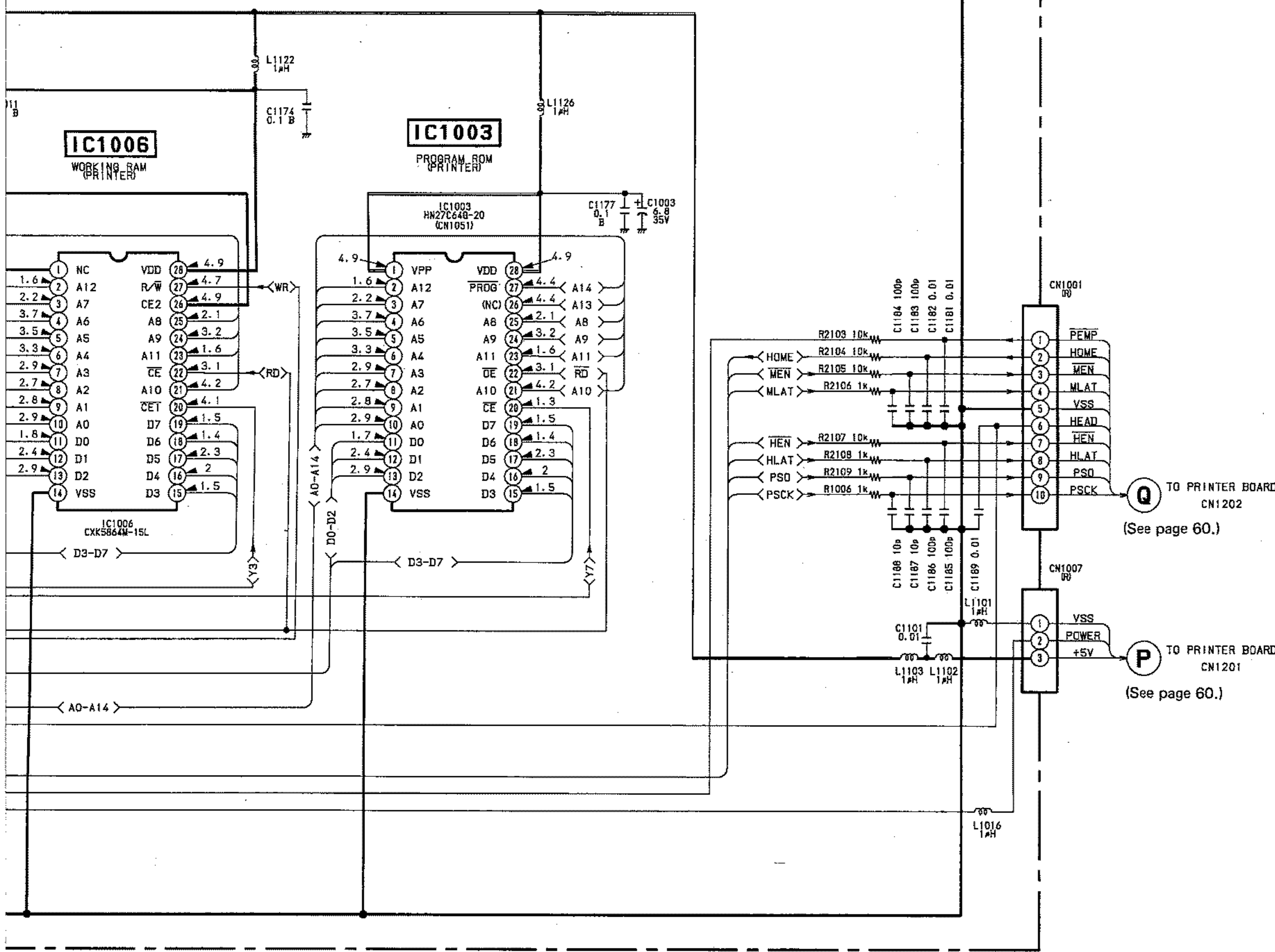


(IO KEY BOARD)





4-16. PRINTED WIRING BOARDS  
 - TIMER/10 KEY/FUNCTION KEY S.  
 • Refer to page 19 for note.  
 • Refer to page 17 for Semiconductor

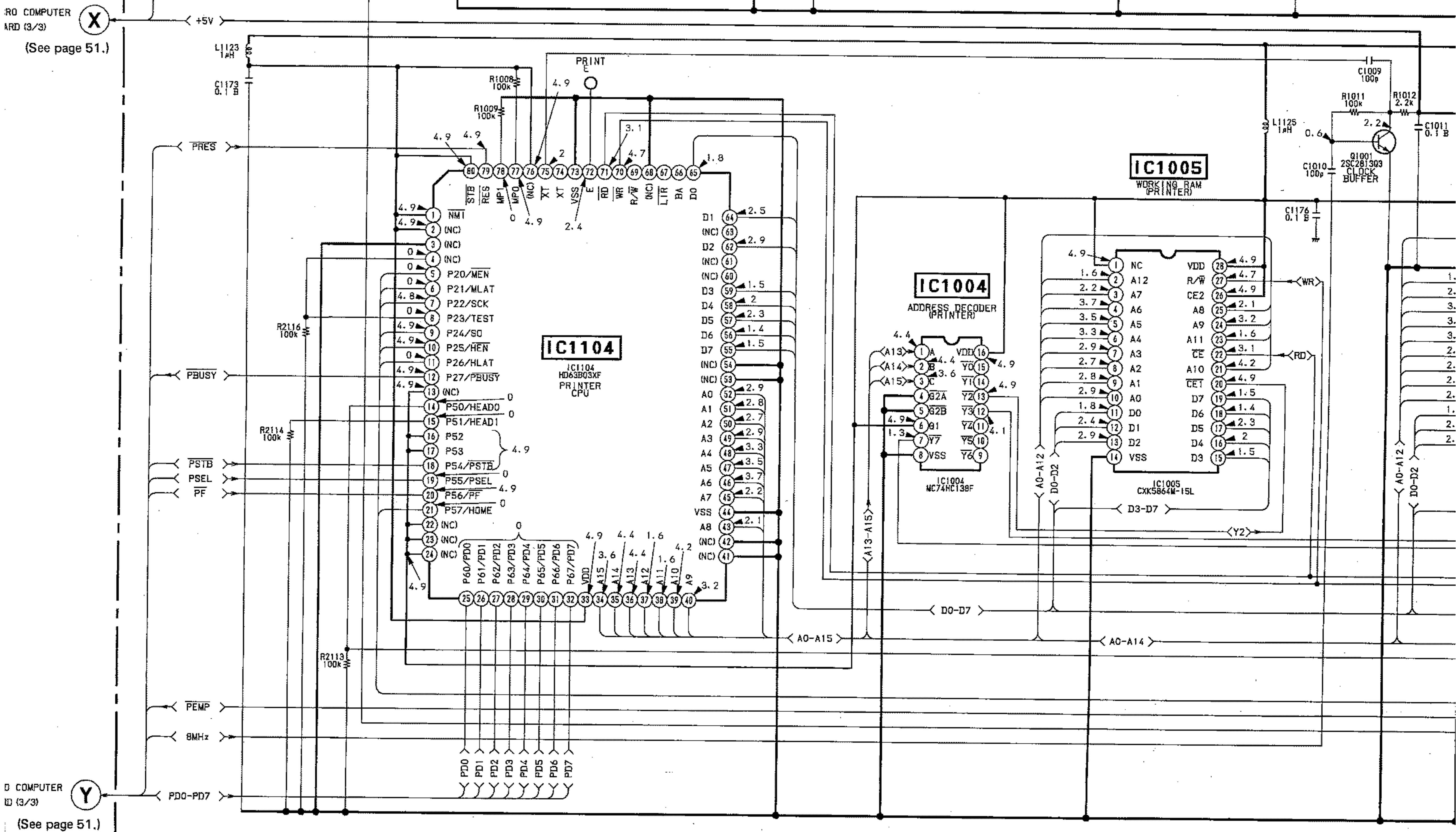
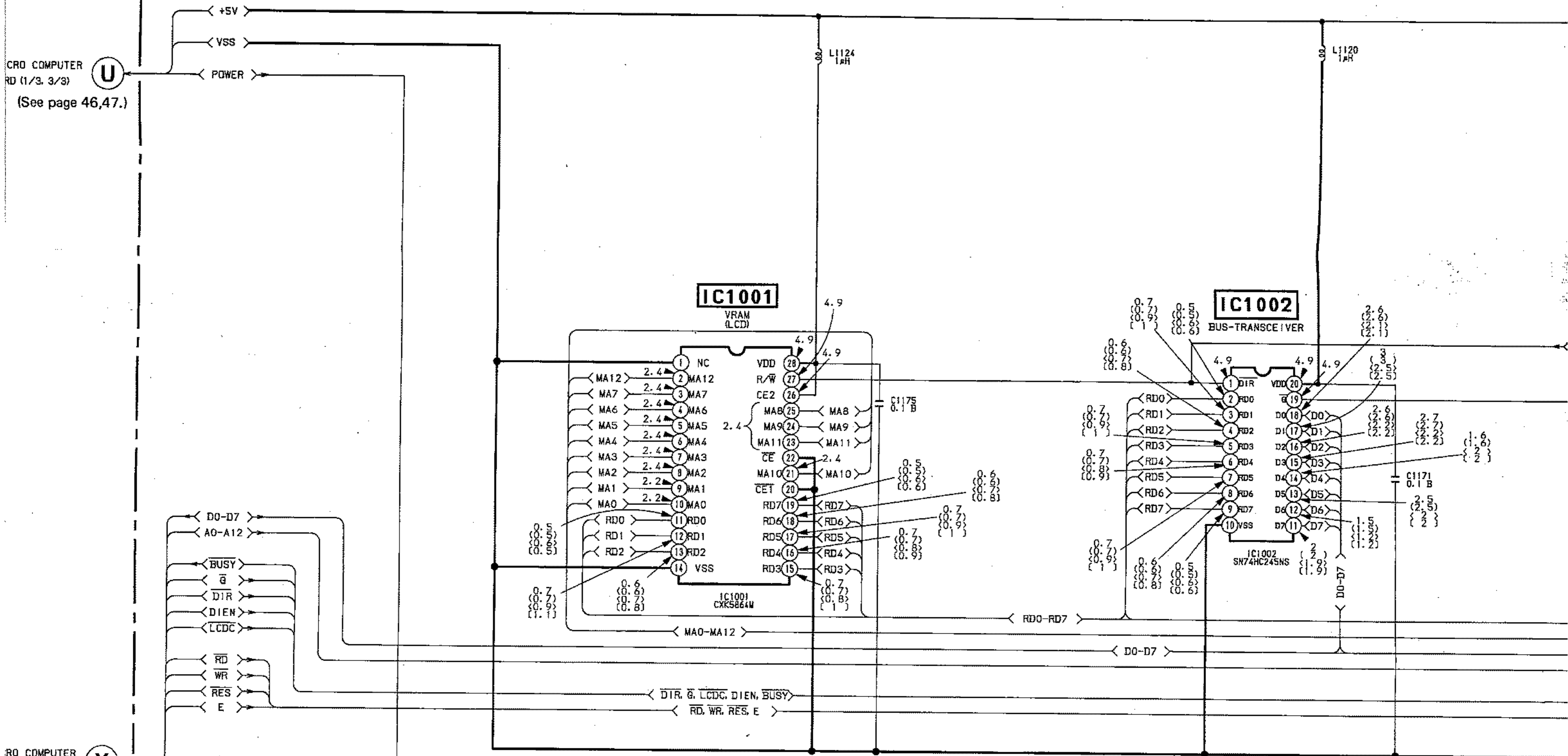




**SCHEMATIC DIAGRAM**  
**PRINTER/LCD CONTROL SECTION -**  
 Refer to page 23 for note.

1 | 2 | 3 | 4 | 5 | 6 | 7 | 8 | 9 | 10 | 11 | 12 | 13

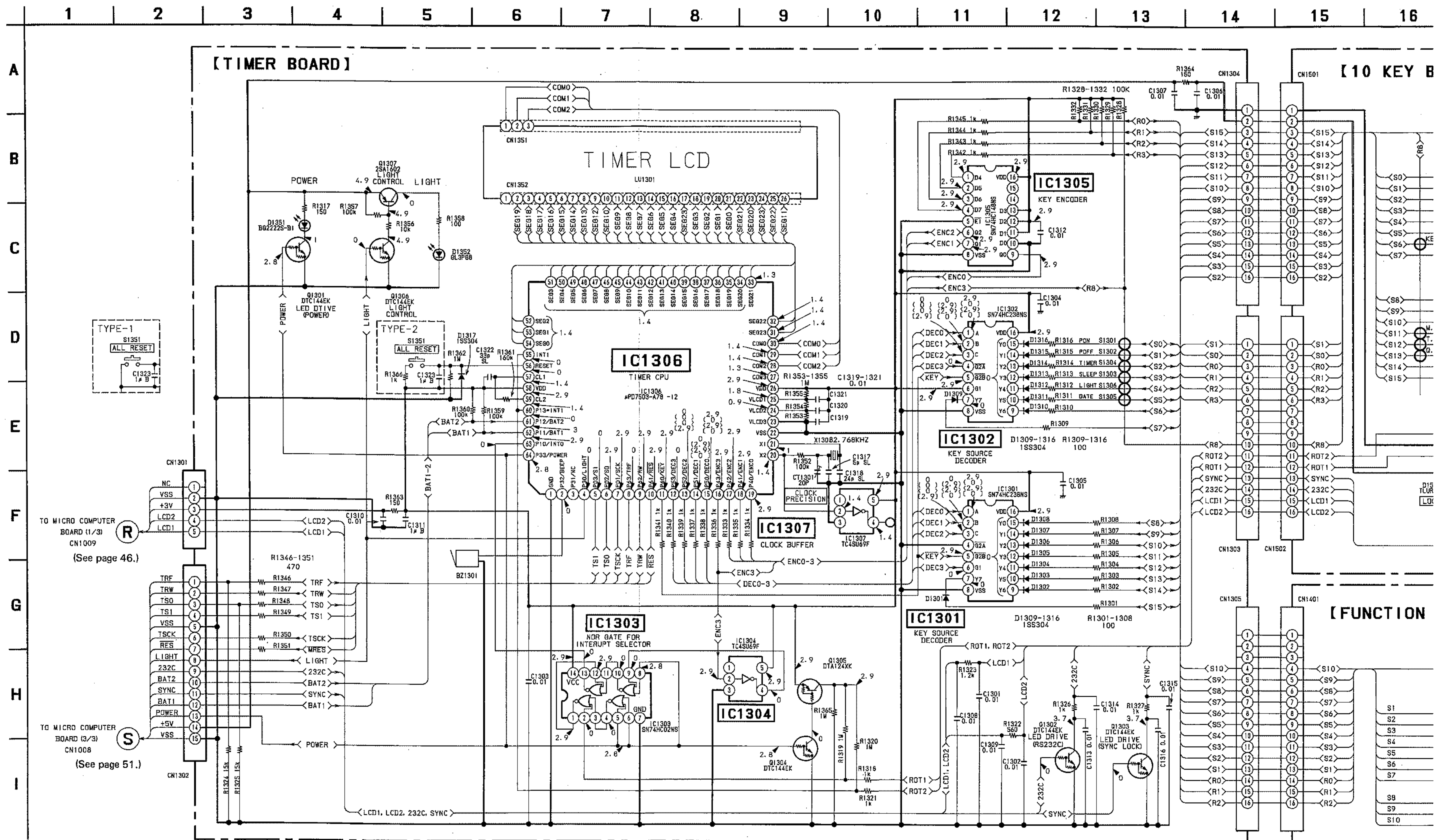
**[ MICRO COMPUTER BOARD (2/3) ]**  
**BOARD (2/3)**  
 (LCD)

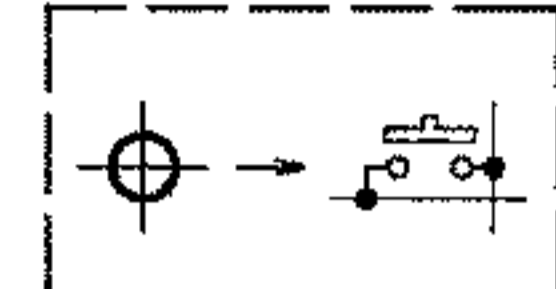
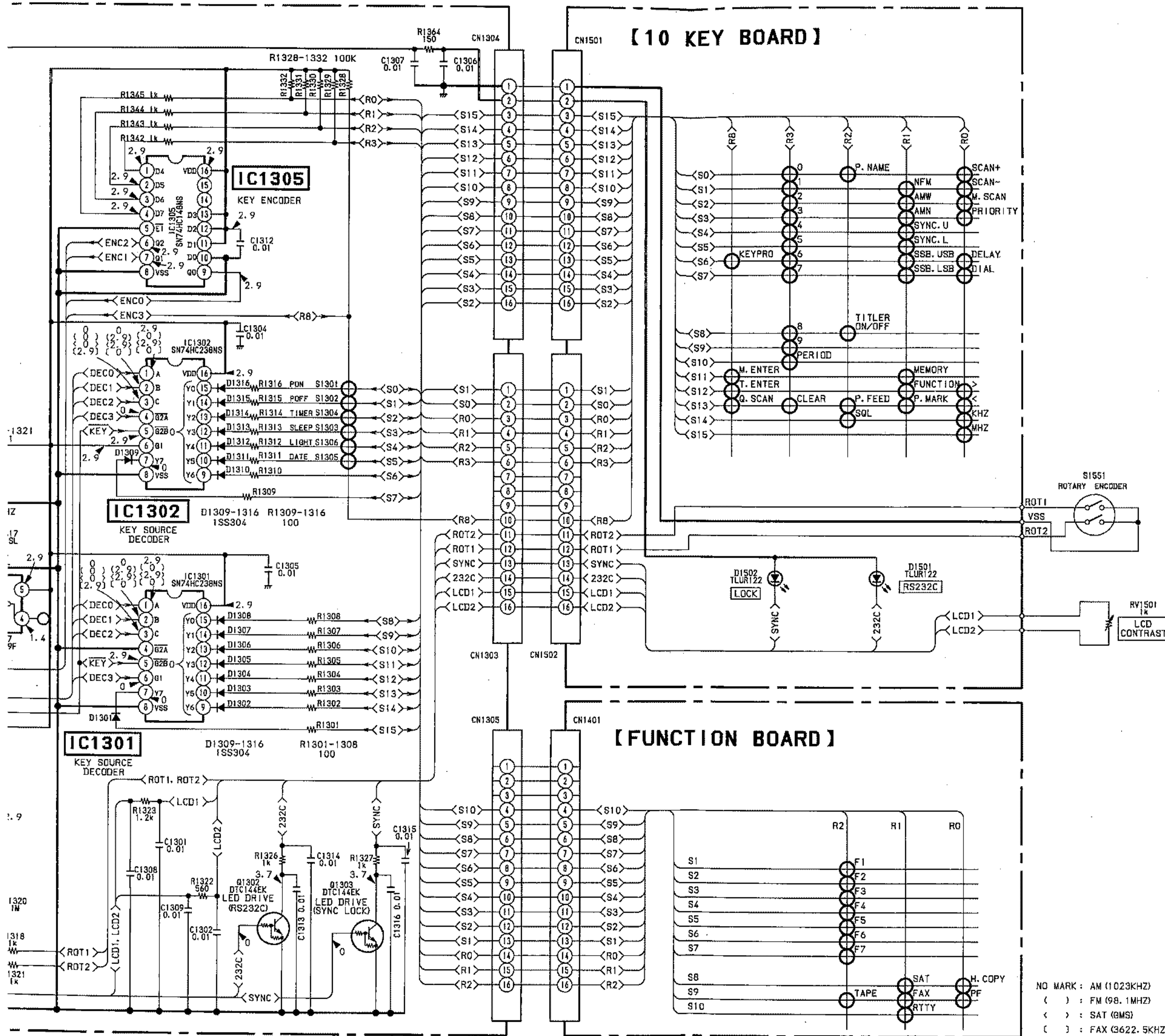


RO COMPUTER  
 RD (3/3)  
 (See page 51.)

4-17. SCHEMATIC DIAGRAM  
 - TIMER/10 KEY/FUNCTION KEY SECTION -

• Refer to page 23 for note.



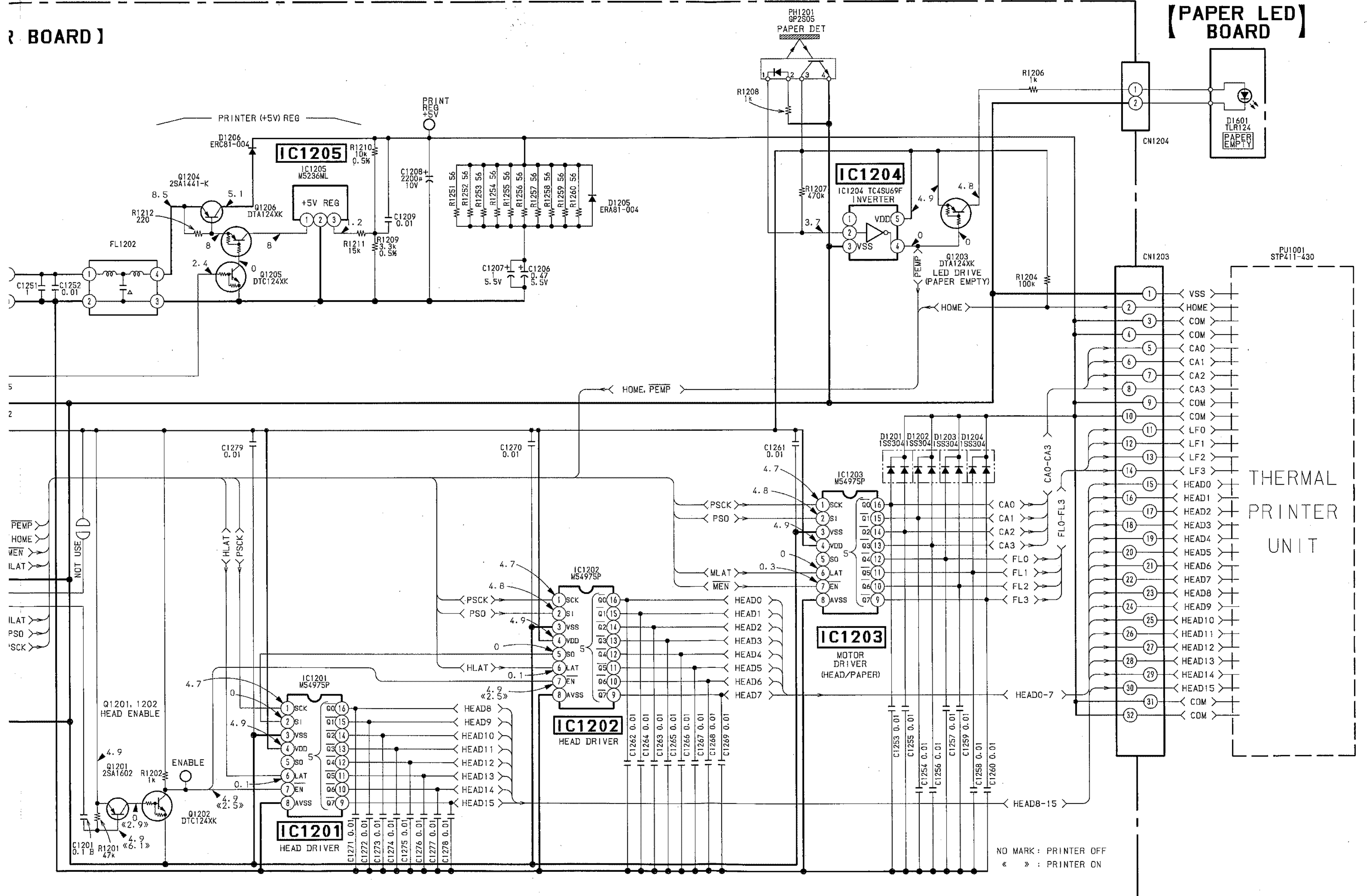


DIAGRAMS INDEICATION	UNIT INDEICATION	REF. NO.
POFF	POWER OFF	S1302
SLEEP	SLEEP	S1303
TIMER	TIMER	S1304
DATE	DATE	S1305
LIGHT	LIGHT	S1306
F1	F1	S1401
F2	F2	S1402
F3	F3	S1403
F4	F4	S1404
F5	F5	S1405
F6	F6	S1406
F7	F7	S1407
PF	PAPER FEED	S1411
H. COPY	HARD COPY	S1412
TAPE	TAPE	S1413
SAT	SAT	S1414
FAX	FAX	S1415
RTTY	RTTY	S1416
DIAL	DIAL STEP	S1501
FUNCTION	FUNCTION	S1502
MEMORY	MEMORY PAGE	S1503
P. MARK	PAGE MARK	S1504
P. FEED	PAGE FEED	S1505
SQL	SQUELCH	S1506
M. ENTER	MEMORY ENTER	S1507
T. ENTER	TITLE ENTER	S1508
P. NAME	PAGE NAME	S1509
Q. SCAN	QUICK SCAN START /PAGE MARK SET	S1510
SCAN -	SCAN-	S1511
SCAN +	SCAN+	S1512
KEYPRO	KEY PROTECT	S1513
NFM	N.B. FM	S1514
AMN	AM NARR	S1515
AMW	AM WIDE	S1516
SYNC L	SYNC LSB	S1517
SYNC U	SYNC USB	S1518
SSB LSB	SSB LSB/CN	S1519
SSB USB	SSB USB	S1520
>	TITLER →	S1521
<	TITLER ←	S1522
TITLER ON/OFF	TITLER ON/OFF	S1523
1	1	S1524
2	2	S1525
3	3	S1526
4	4	S1527
5	5	S1528
6	6	S1529
7	7	S1530
8	8	S1531
9	9	S1532
C	C	S1533
0	0	S1534
PERIOD	(PERIOD)	S1535
KHZ	KHZ	S1536
MHZ	MHZ	S1537
PRIORITY	PRIORITY	S1538
DELAY	DELAY	S1539
M. SCAN	MEMORY SCAN	S1540

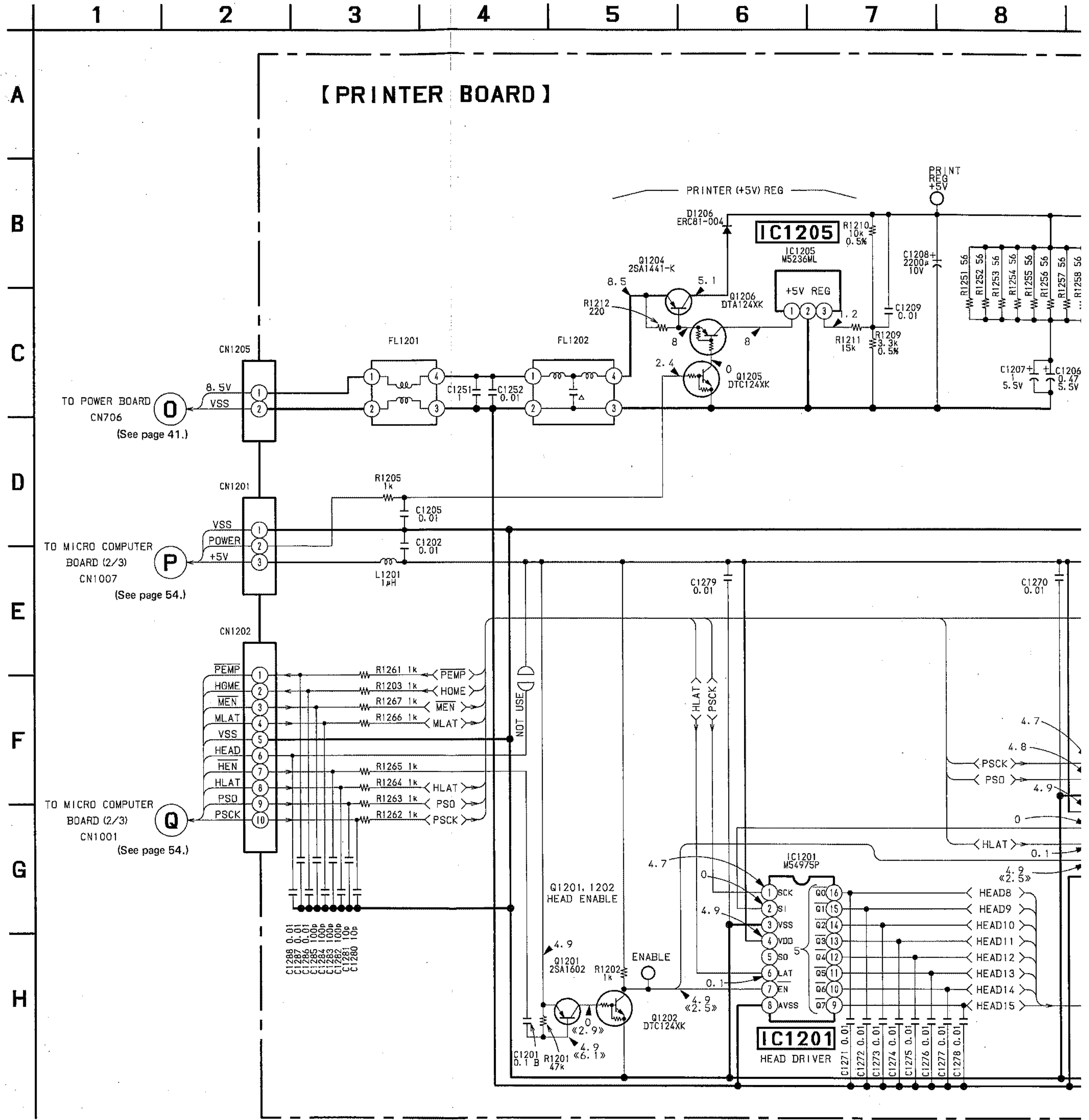
NO MARK : AM (1023KHZ)  
 ( ) : FM (98.1MHZ)  
 < > : SAT (GMS)  
 ( ) : FAX (3622.5KHZ)

BOARD ]

[ PAPER LED BOARD ]

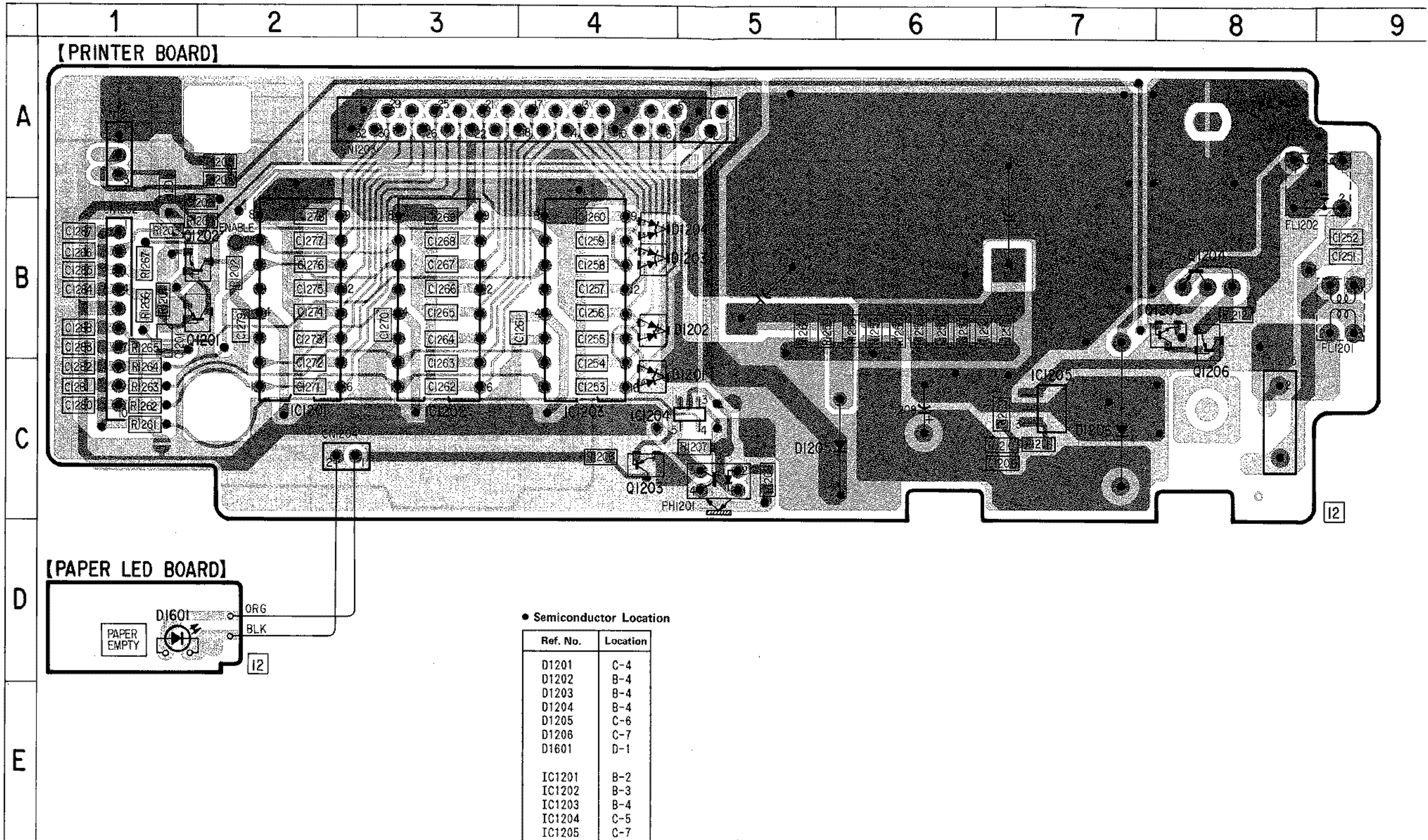


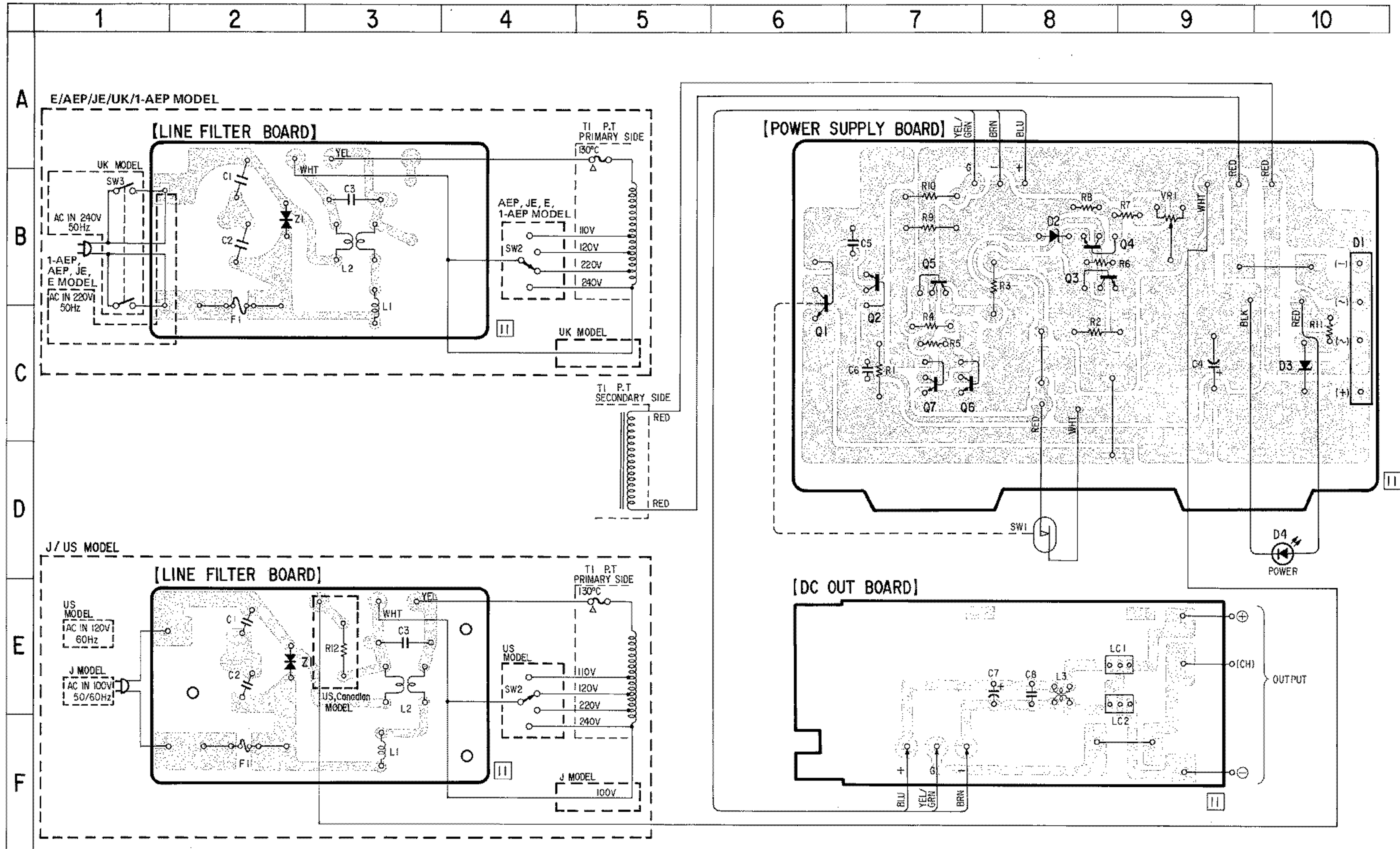
NO MARK : PRINTER OFF  
 « » : PRINTER ON



4-19. PRINTED WIRING BOARDS  
 - PRINTER SECTION -

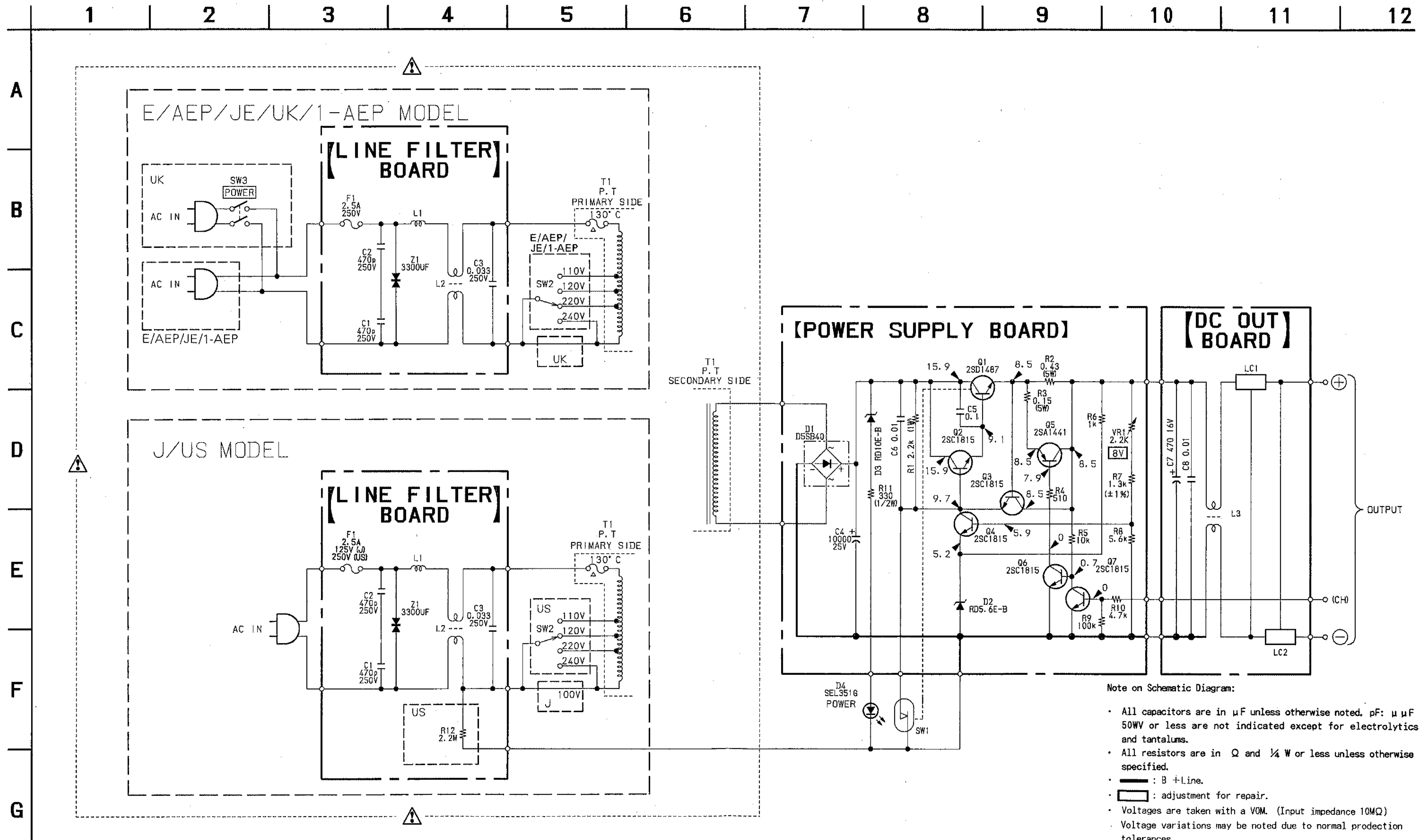
- Refer to page 19 for note.
- Refer to page 17 for Semiconductor Lead Layouts.





Note on Printed Wiring Boards:  
 - [Pattern] : Pattern on the side which is seen.

4-21. SCHEMATIC DIAGRAM  
 - AC ADAPTOR (ACP-88R) -



**Note:**  
 The components identified by mark  $\triangle$  or dotted line with mark  $\triangle$  are critical for safety. Replace only with part number specified.

**Note:**  
 Les composants identifiés par une marque  $\triangle$  sont critiques pour la sécurité. Ne les remplacer que par une pièce portant le numéro spécifié.

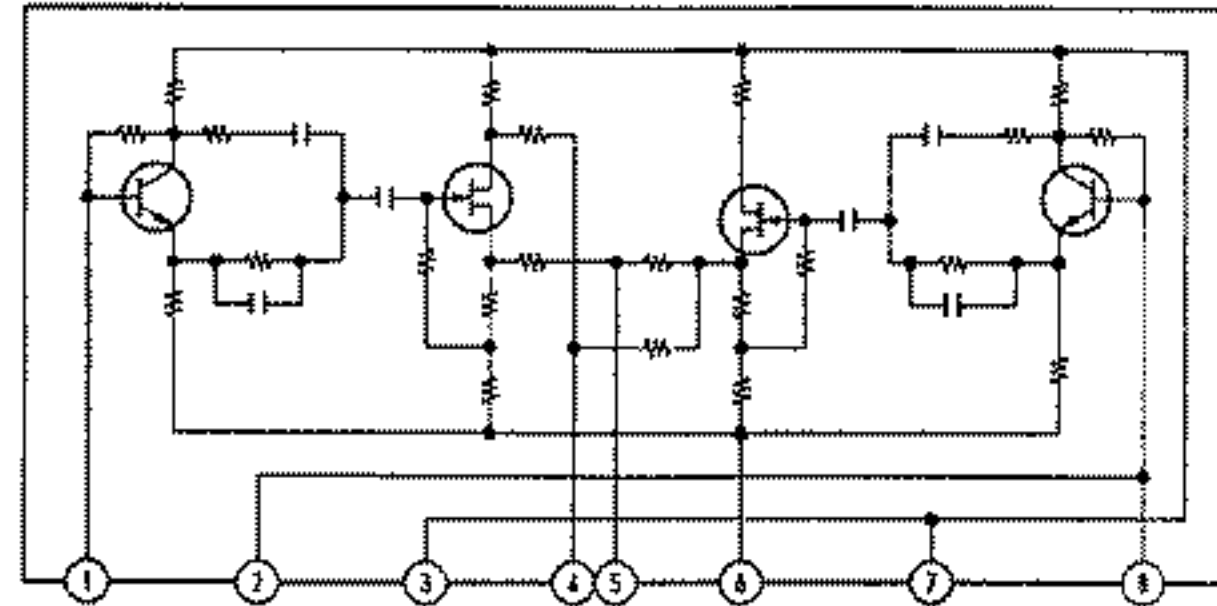
**Note on Schematic Diagram:**

- All capacitors are in  $\mu F$  unless otherwise noted, pF:  $\mu pF$  50WV or less are not indicated except for electrolytics and tantalums.
- All resistors are in  $\Omega$  and  $\frac{1}{4} W$  or less unless otherwise specified.
- $\text{---} \text{---}$  : B +Line.
- $\square$  : adjustment for repair.
- Voltages are taken with a VOM. (Input impedance 10M $\Omega$ )
- Voltage variations may be noted due to normal production tolerances.
- Voltage are dc with respect to minus side of rectifier diode D1 under unloading conditions.

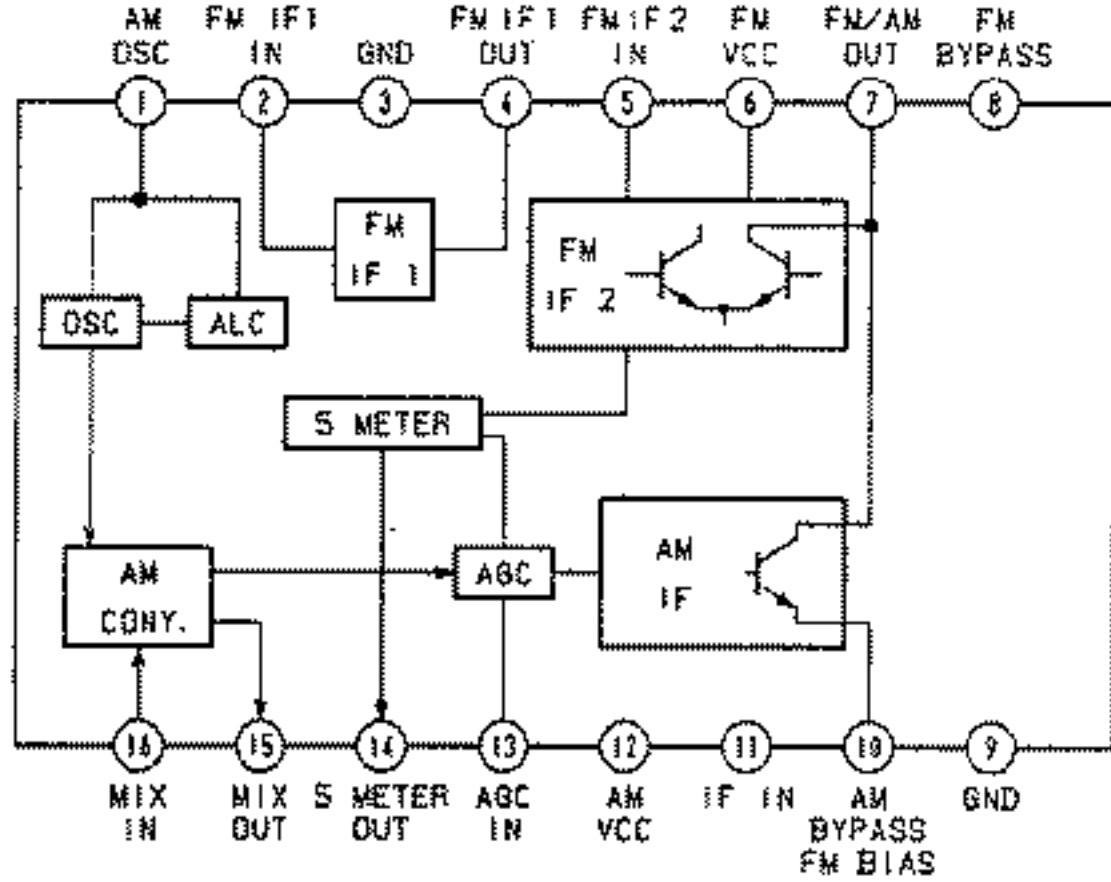


4-22. IC BLOCK DIAGRAMS  
- RADIO SECTION -

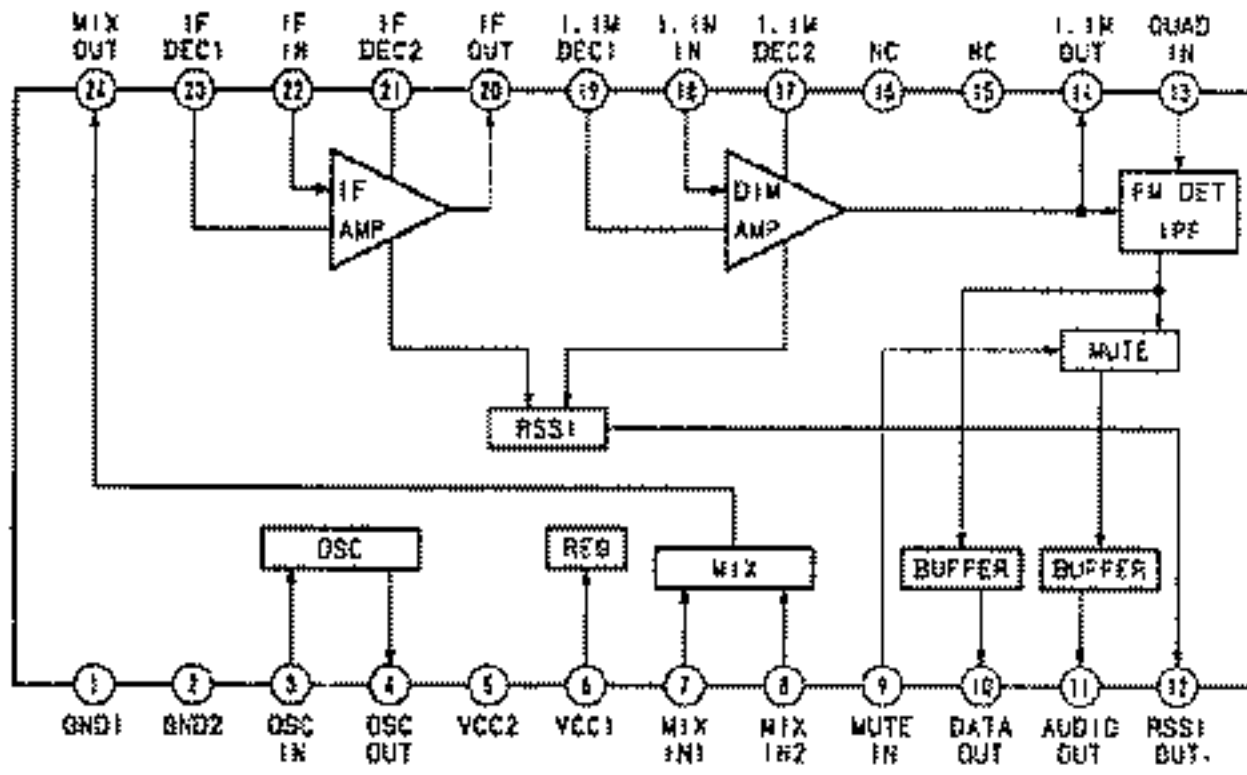
PSN501



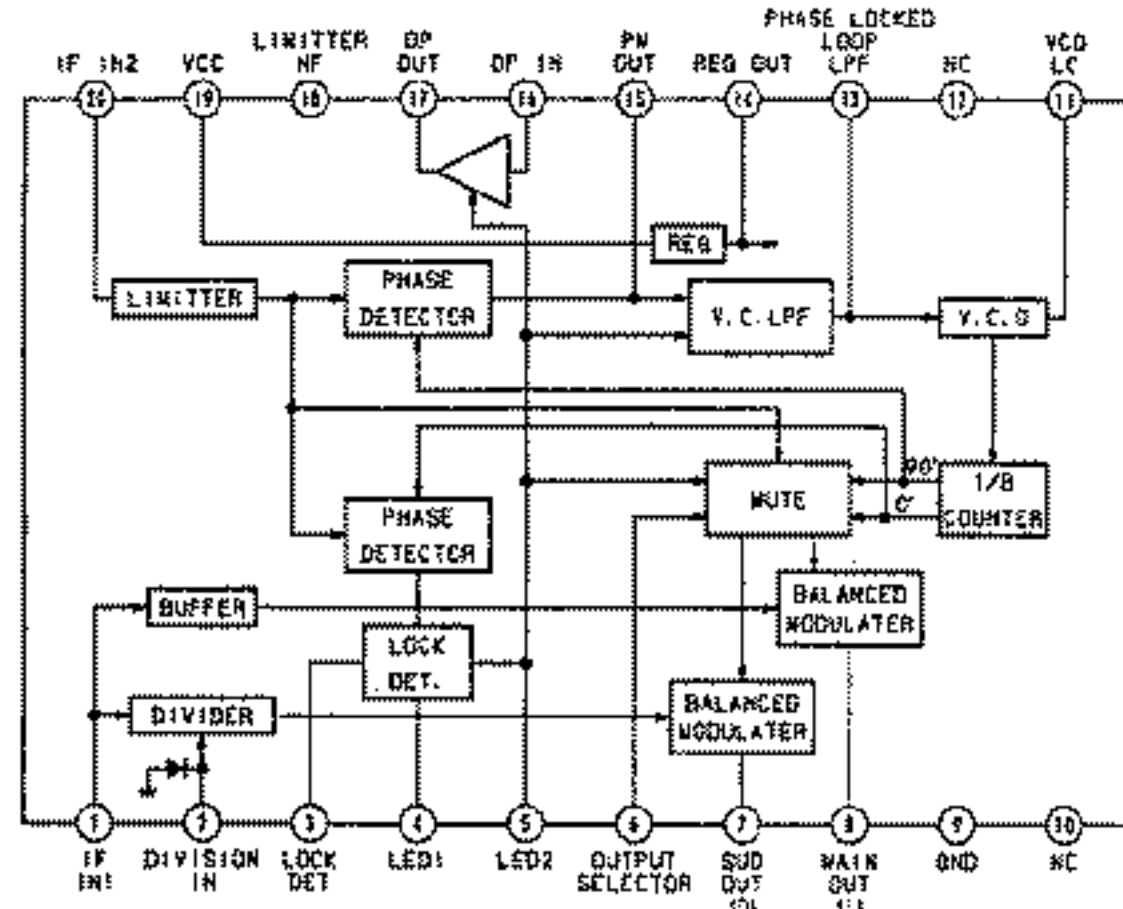
IC403 LA1205



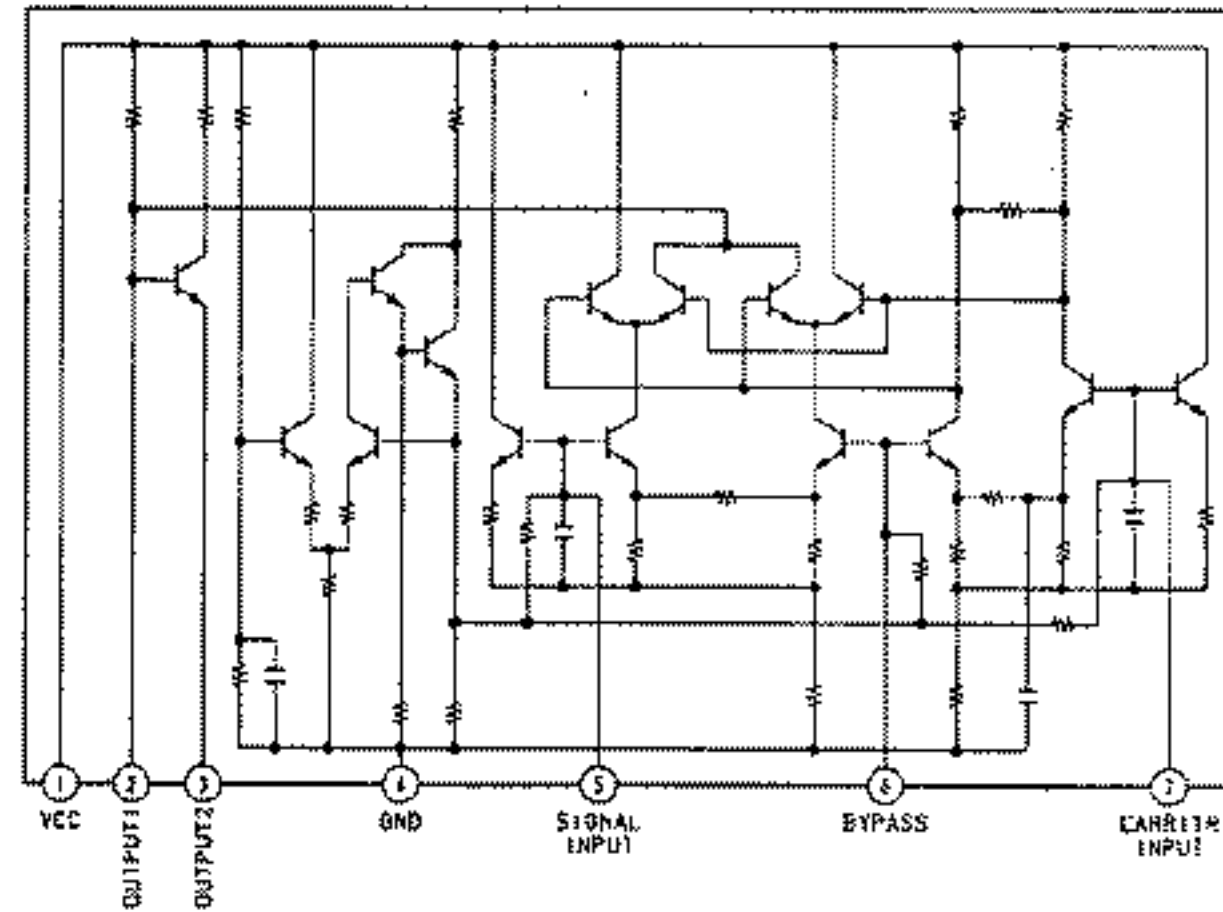
IC406 CXA1003AM



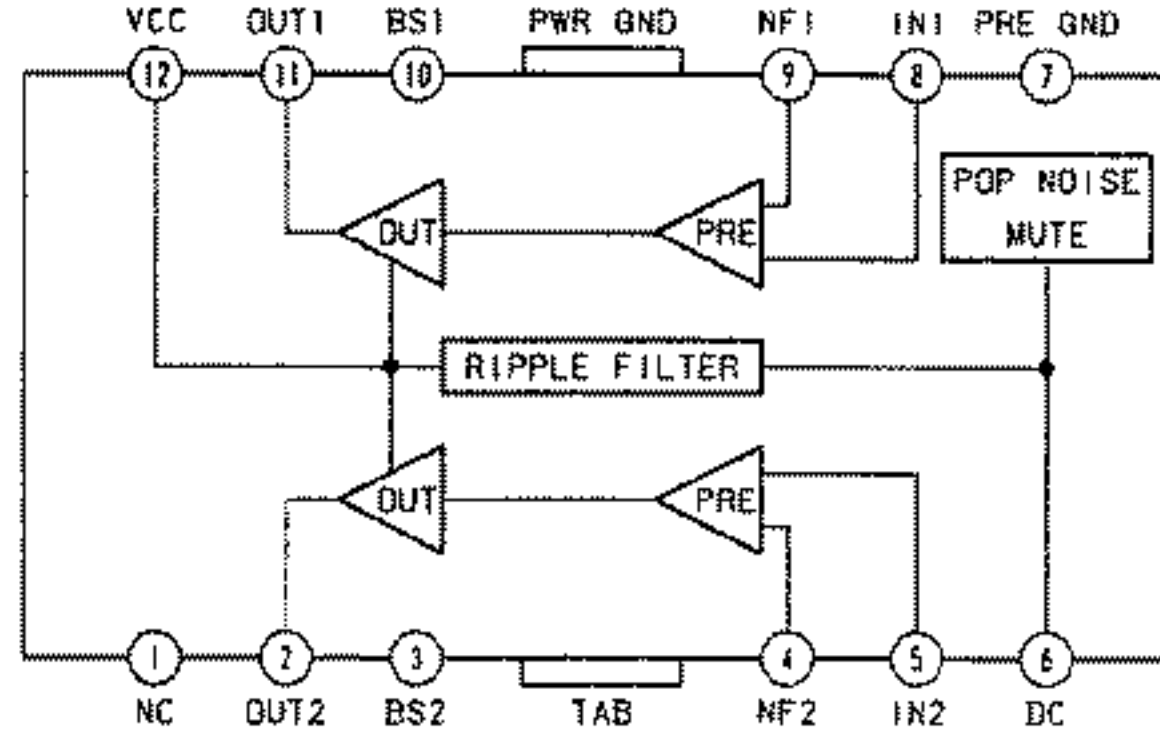
IC502 CX-857



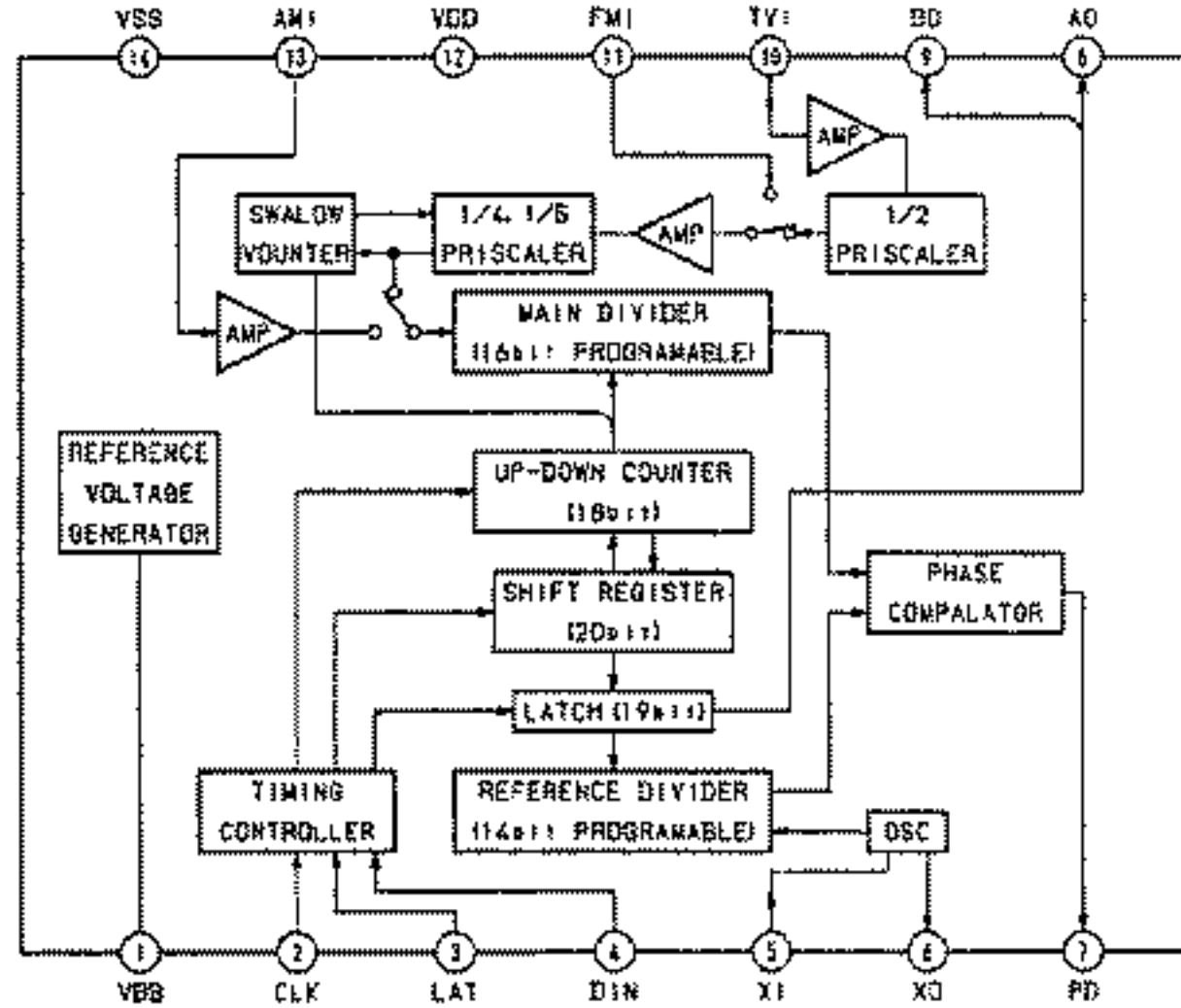
IC503, 504  $\mu$ PC1037HA



IC606 LA4550



IC801-804 CXD1118M



SECTION 5  
EXPLODED VIEWS

NOTE:

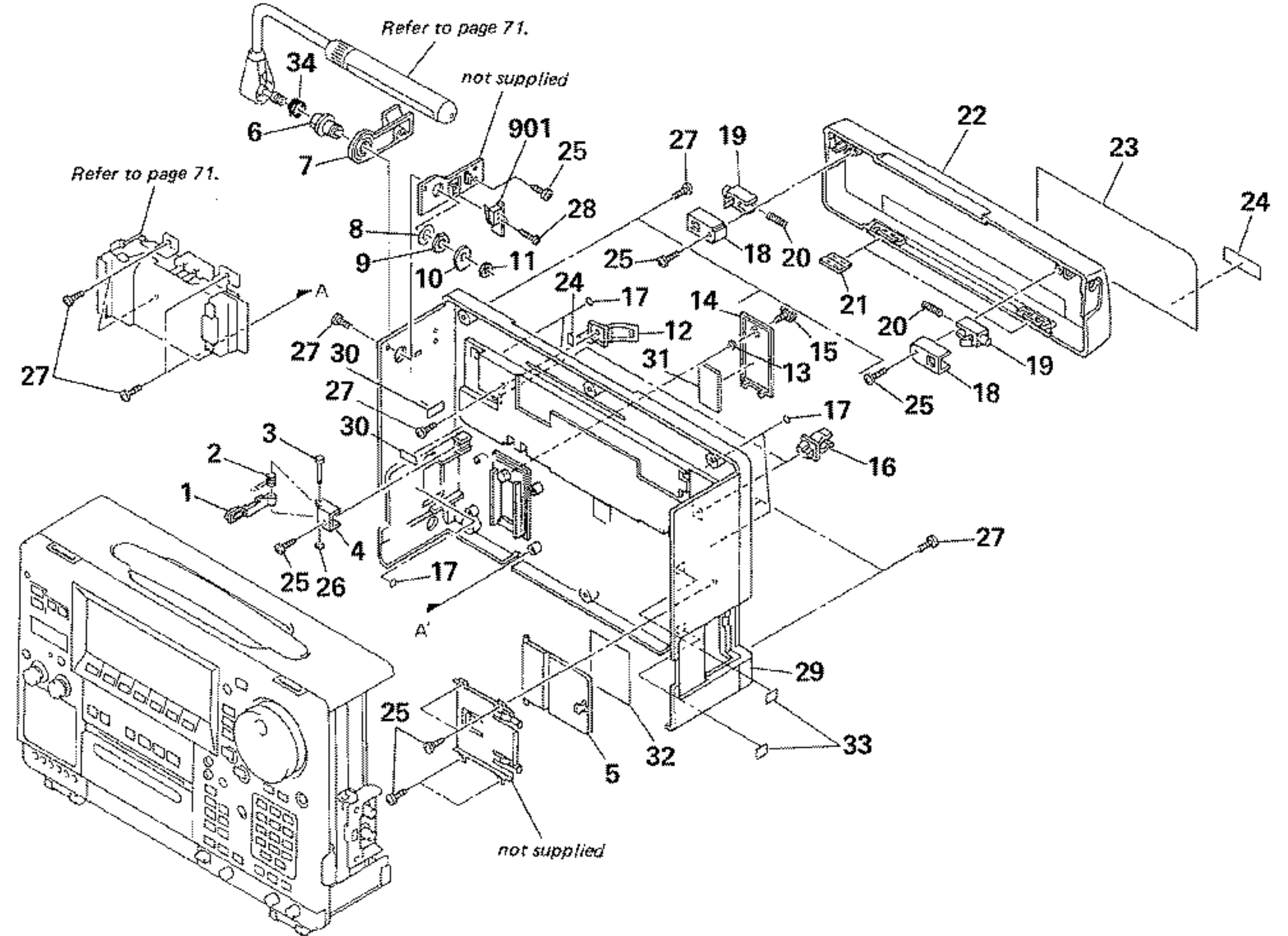
- The mechanical parts with no reference number in the exploded views are not supplied.
- The construction parts of an assembled part are indicated with a collation number in the remark column.
- Items marked "\*" are not stocked since they are seldom required for routine service. Some delay should be anticipated when ordering these items.

- Due to standardization, parts with part number suffix -XX and -X may be different from the parts specified in the components used on the set.

The components identified by mark or dotted line with mark are critical for safety. Replace only with part number specified.

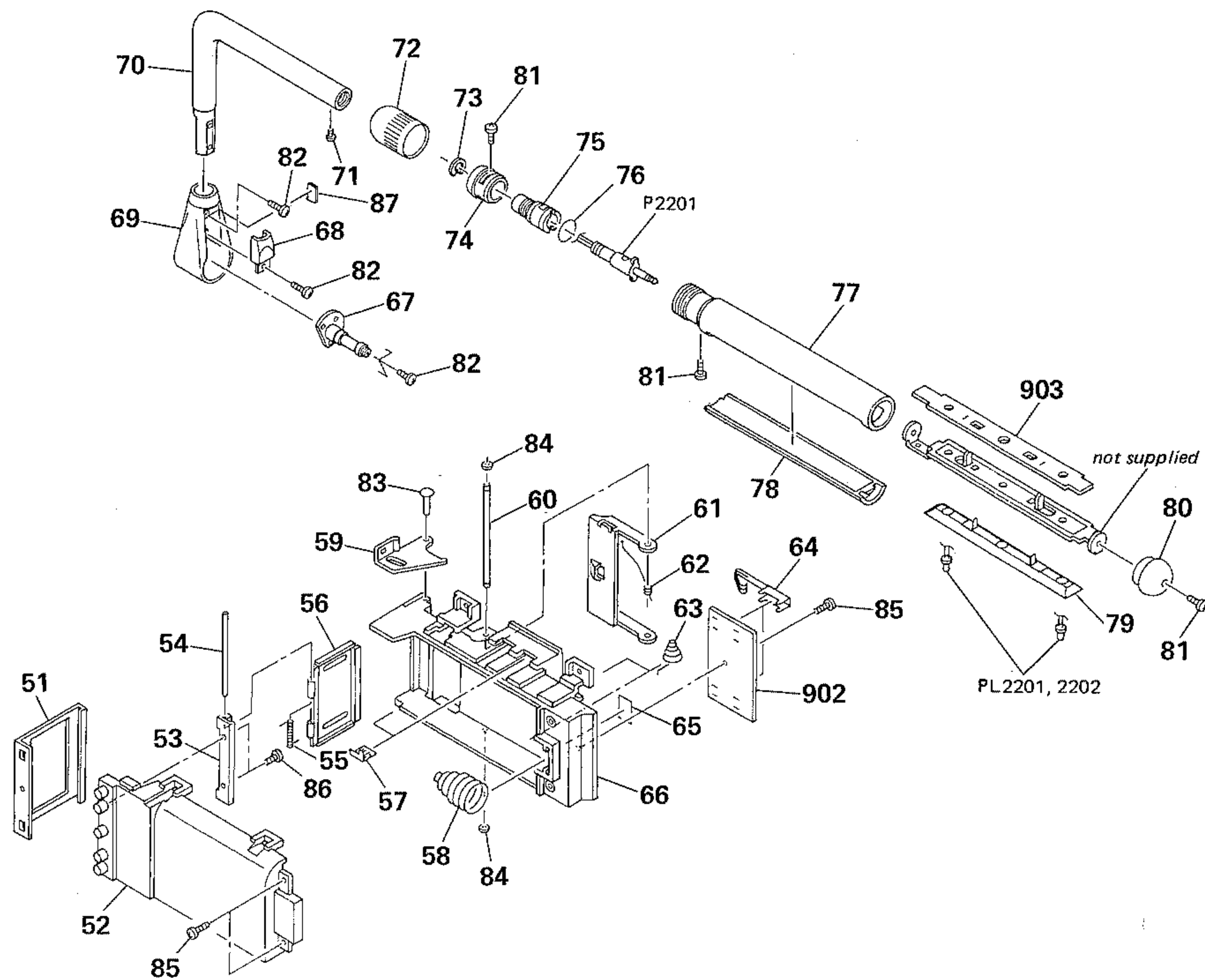
Les composants identifiés par une marque sont critiques pour la sécurité. Ne les remplacer que par une pièce portant le numéro spécifié.

5-1. CABINET (REAR) SECTION



No.	Part No.	Description	Remarks	No.	Part No.	Description	Remarks
1	3-900-767-01	BUTTON, BATTERY RELEASE		20	3-630-644-01	SPRING (B)	
2	3-900-762-01	SPRING (D)		21	3-901-141-01	HINGE	
3	3-900-761-01	SHAFT (B)		22	3-900-713-01	LID, ANTENNA	
4	*3-900-768-01	HOLDER, RELEASE BUTTON		23	*3-900-701-01	(E, I-AEP, UK, JE)	
5	3-900-703-01	LID, TERMINAL, ANTENNA			...	LABEL, MODEL NUMBER (J)	
6	3-901-119-01	BEARING (LAMP)			*3-901-239-01	(US) ... LABEL, MODEL NUMBER (U)	
7	*3-901-187-01	BASE, LAMP SHAFT			*3-901-240-01	(AEP) ... LABEL, MODEL NUMBER (AE)	
8	3-901-274-01	SPACER, FLAT		24	*3-314-252-01	SPACER	
9	3-901-149-01	NUT (M10X1.0), HEXAGON		25	7-685-647-79	SCREW +P 3X10 TYPE2 NON-SLIT	
10	*3-900-787-01	CAM		26	7-624-102-04	STOP RING 1.5, TYPE -E	
11	3-901-148-01	NUT (M6X0.75), HEXAGON		27	7-682-547-09	SCREW +P 3X6	
12	3-901-153-01	BRACKET, LOCK		28	7-621-255-55	SCREW +P 2X8	
13	3-610-189-00	RING, RETAINING		29	3-900-712-01	CABINET (REAR)	
14	3-900-770-01	LID, BATTERY CASE		30	3-831-441-11	CUSHION (B)	
15	3-900-771-01	SCREW, ORNAMENTAL		31	*3-901-250-01	CUSHION, LID, BATTERY CASE	
16	*3-901-209-01	HOLDER, ROD		32	*3-901-269-01	SPACER	
17	4-879-274-41	SPACER		33	9-911-863-XX	SHEET, CHLORIDE VINYL	
18	*3-901-130-01	COVER, RELEASE BUTTON		34	3-901-278-01	SPRING (D)	
19	3-901-129-01	BUTTON (ANTENNA LID), RELEASE		901	*1-628-282-11	PC BOARD, LAMP SW	

5-2. BATTERY/LAMP SECTION



No.	Part No.	Description	Remarks	No.	Part No.	Description	Remarks
51	3-901-138-01	RETAINER, BATTERY HOLDER		72	3-901-122-01	RING, FASTENING	
52	*3-901-193-01	HOLDER (B), BATTERY		73	3-618-078-00	RING, RETAINING, CE TYPE	
53	3-901-109-01	HOLDER (BATTERY CASE LID B)		74	3-901-120-01	RING, ROTARY	
54	3-901-111-01	SHAFT (D)		75	3-901-121-01	HOLDER, PLUG	
55	3-901-110-01	SPRING (F)		76	3-901-150-01	RING (LAMP), O	
56	3-901-108-01	LID (B), BATTERY CASE		77	3-901-183-01	HOLDER, LAMP	
57	3-898-229-01	TERMINAL BOARD, PLUS		78	3-901-184-01	PLATE (LAMP), LIGHT GUIDE	
58	3-900-764-01	SPRING (A), COMPRESSION		79	*3-901-134-01	REFLECTOR (LAMP)	
59	*3-900-766-01	LEVER (B), RELEASE		80	3-901-123-01	CAP	
60	*3-900-769-01	SHAFT (C)		81	7-621-255-10	SCREW +P 2X3	
61	*3-900-765-01	PLATE, LOCK, BATTERY		82	7-682-547-04	SCREW +P 3X6	
62	3-900-799-01	SPRING (G)		83	7-625-724-70	RIVET 3X12	
63	3-898-230-01	SPRING		84	7-624-104-04	STOP RING 2.0, TYPE -E	
64	3-900-763-01	CONTACT, BATTERY		85	7-685-647-79	SCREW +P 3X10 TYPE2 NON-SLIT	
65	3-831-441-11	CUSHION (B)		86	7-685-103-19	SCREW +P 2X5 TYPE2 NON-SLIT	
66	*3-901-192-01	HOLDER (A), BATTERY		87	9-911-863-XX	SPACER (A)	
67	3-901-118-01	SHAFT (LAMP)		902	*1-628-283-11	PC BOARD, POWER	
68	3-901-126-01	PLATE, BLIND		903	*1-628-277-11	PC BOARD, LAMP	
69	3-901-186-01	HOLDER, LAMP ARM		P2201	1-574-196-11	CORD (WITH PLUG)	
70	3-901-124-01	ARM, LAMP		PL2201	1-518-640-21	LAMP, PILOT	
71	3-901-271-01	SCREW (B1.4X2), TAPPING		PL2202	1-518-640-21	LAMP, PILOT	

Ref.No.	Part No.	Description
X503	1-567-949-11	VIBRATOR, CRYSTAL (456.5kHz)
X851	1-567-951-11	VIBRATOR, LITHIUM TANTALATE (7.2MHz)
X1001	1-567-952-11	VIBRATOR, CRYSTAL (7.999488MHz)
X1301	1-567-098-00	VIBRATOR, CRYSTAL (32.768kHz)
XF301	1-527-372-00	FILTER, CRYSTAL (55.845MHz)
XF302	1-527-372-00	FILTER, CRYSTAL (55.845MHz)

ACCESSORY & PACKING MATERIAL

△.1-465-107-21	(US).....	ADAPTOR, AC(ACP-88R)
△.1-465-107-31	(E,AEP,1-AEP,JE)...	ADAPTOR, AC(ACP-88R)
△.1-465-107-41	(UK).....	ADAPTOR, AC(ACP-88R)
1-506-401-00	(E,JE)...	ADAPTOR, CONVERSION
1-559-476-11	(EXCEPT US)...	RS-232C CONNECTING CABLE (WITH CONNECTOR)
3-786-497-11		MANUAL, INSTRUCTION (ENGLISH)
3-786-497-31	(AEP,1-AEP)...	MANUAL, INSTRUCTION(FRENCH)
3-786-497-41	(AEP,1-AEP)...	MANUAL, INSTRUCTION(GERMAN)
3-786-498-11		MANUAL, GUIDE (ENGLISH)
3-786-498-31	(AEP,1-AEP)...	MANUAL, GUIDE (FRENCH)
3-786-498-41	(AEP,1-AEP)...	MANUAL, GUIDE (GERMAN)
3-786-499-11		INSTRUCTION, QUICK REFERENCE ( ENGLISH)
3-786-499-31	(AEP,1-AEP)...	INSTRUCTION, QUICK REFERENCE (FRENCH)
3-786-499-41	(AEP,1-AEP)...	INSTRUCTION, QUICK REFERENCE (GERMAN)
3-893-802-05		BOOK, GUIDE, WAVE
3-900-741-01		SHAFT, PAPER
3-900-747-01		SCREW, PAPER SHAFT
*3-901-231-01		INDIVIDUAL CARTON
*3-901-232-01		CUSHION (UPPER) (2-PIECE SET)
*3-901-233-01		CASE, ACCESSORY
*3-901-235-01		CUSHION (LOWER)
*X-3900-709-1		EXTENSION KIT ASSY
X-3900-710-1		PAPER (3P) ASSY, PRINTING

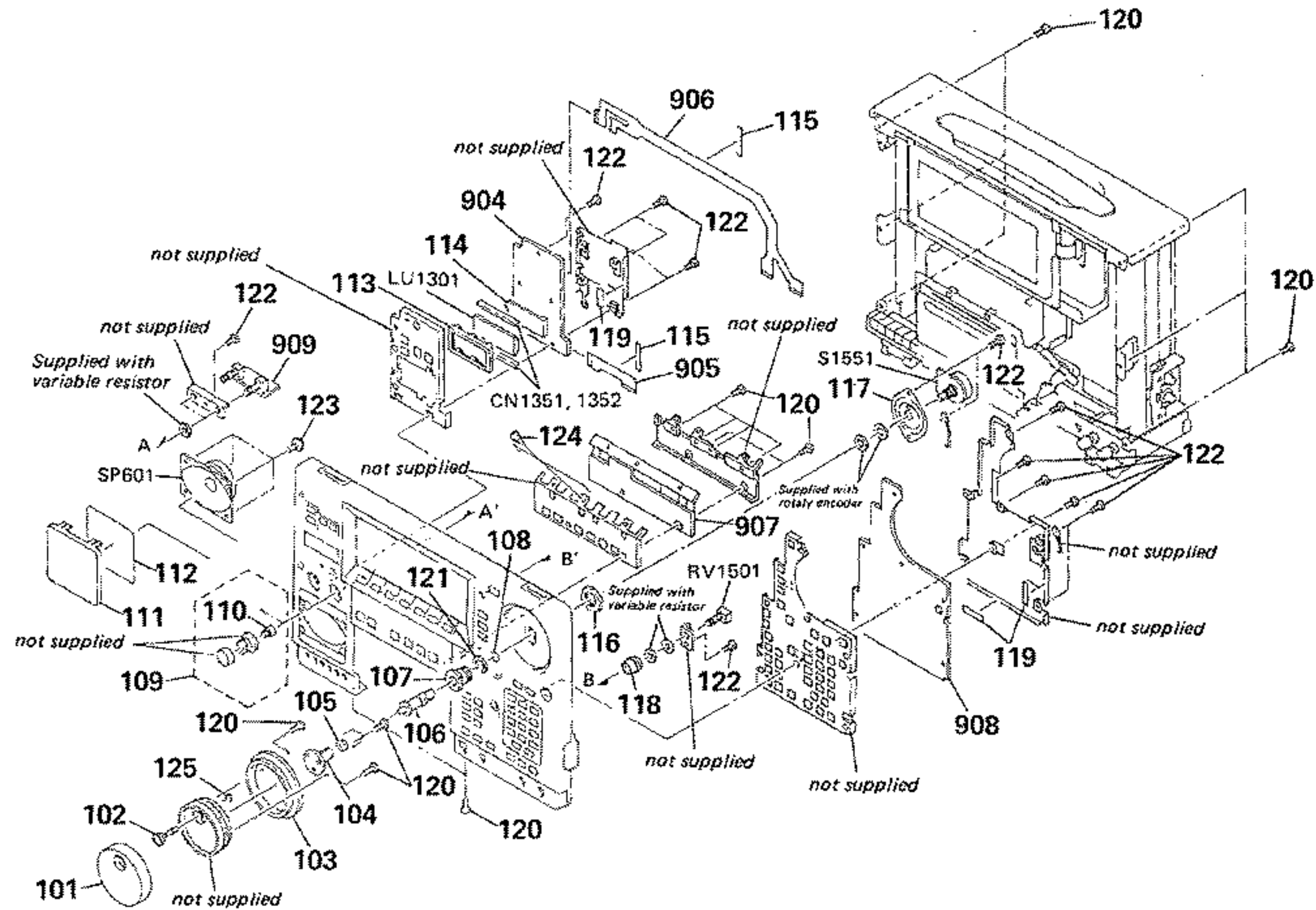
**Note:**  
The components identified by mark  $\Delta$  or dotted line with mark  $\Delta$  are critical for safety. Replace only with part number specified.

**Note:**  
Les composants identifiés par une marque  $\Delta$  sont critiques pour la sécurité. Ne les remplacer que par une pièce portant le numéro spécifié.

AC ADAPTOR (ACP-88R)

Ref.No.	Part No.	Description
951	1-574-818-11	CORD, CONNECTION
952	△.1-551-478-00	(US).....CORD, POWER
	△.1-555-795-00	(E,AEP,1-AEP,JE)....CORD, POWER
	△.1-556-035-00	(UK).....CORD, POWER
953	1-533-183-11	HOLDER, FUSE
C1	△.1-161-740-00	CERAMIC 470PF 10% 400V
C2	△.1-161-740-00	CERAMIC 470PF 10% 400V
C3	△.1-136-297-11	FILM 0.033MF 20% 250V
C4	1-126-633-11	ELECT 10000MF 20% 25V
C5	1-161-063-00	CERAMIC 0.1MF 10% 50V
C6	1-161-051-00	CERAMIC 0.01MF 10% 50V
C7	1-126-103-11	ELECT 470MF 20% 16V
C8	1-161-051-00	CERAMIC 0.01MF 10% 50V
D1	8-719-500-16	DIODE D5SB60
D2	8-719-109-89	DIODE RD5.6ES-B2
D3	8-719-110-17	DIODE RD10ES-B2
D4	8-719-976-34	LED SEL351G
F1	△.1-532-286-00	(E,AEP,1-AEP,UK,JE) ...FUSE, TIME-LAG 2.5A 250V
	△.1-532-826-11	(US)....FUSE, GLASS TUBE 2.5A 250V
L1	△.1-412-239-11	MICRO INDUCTOR
L2	△.1-424-249-11	COIL, LINE FILTER
L3	1-421-537-00	TRANSFORMER, LINE FILTER
LC1	1-424-153-11	FILTER, NOISE
LC2	1-424-153-11	FILTER, NOISE
Q1	8-729-922-79	TRANSISTOR 2SD1487
Q2	8-729-281-53	TRANSISTOR 2SC1815Y
Q3	8-729-281-53	TRANSISTOR 2SC1815Y
Q4	8-729-281-53	TRANSISTOR 2SC1815Y
Q5	8-729-112-61	TRANSISTOR 2SA1441
Q6	8-729-281-53	TRANSISTOR 2SC1815Y
Q7	8-729-281-53	TRANSISTOR 2SC1815Y
R1	1-215-871-11	METEL OXIDE 2.2K 5% 1W
R2	1-205-953-11	WIREWOUND 0.43 3W
R3	1-205-952-11	WIREWOUND 0.15 3W
R4	1-247-709-11	CAROBN 510 5% 1/4W
R5	1-247-725-11	CAROBN 10K 5% 1/4W
R6	1-247-713-11	CARBON 1K 5% 1/4W
R7	1-246-476-11	CARBON 1.3K 1% 1/4W
R8	1-247-722-11	CARBON 5.6K 5% 1/4W
R9	1-249-469-11	CARBON 100K 5% 1/4W
R10	1-247-721-11	CARBON 4.7K 5% 1/4W
R11	1-247-745-11	CARBON 330 5% 1/2W
R12	△.1-202-723-00	(US)....SOLID 2.2M 10% 1/2W
SW1	1-571-965-11	SWITCH, REED
SW2	△.1-553-691-11	(US,E,AEP,1-AEP,JE) ...SELECTOR, POWER VOLTAGE
SW3	△.1-570-743-21	(UK)....SWITCH, POWER
T1	△.1-449-708-11	(US).....TRANSFORMER, POWER
T1	△.1-449-709-11	(UK).....TRANSFORMER, POWER
T1	△.1-449-711-11	(E,AEP,1-AEP,JE)....TRANSFORMER, POWER
VRI	1-228-721-00	RES,ADJ,CARBON 2.2K
Z1	△.1-808-747-11	VARISTOR

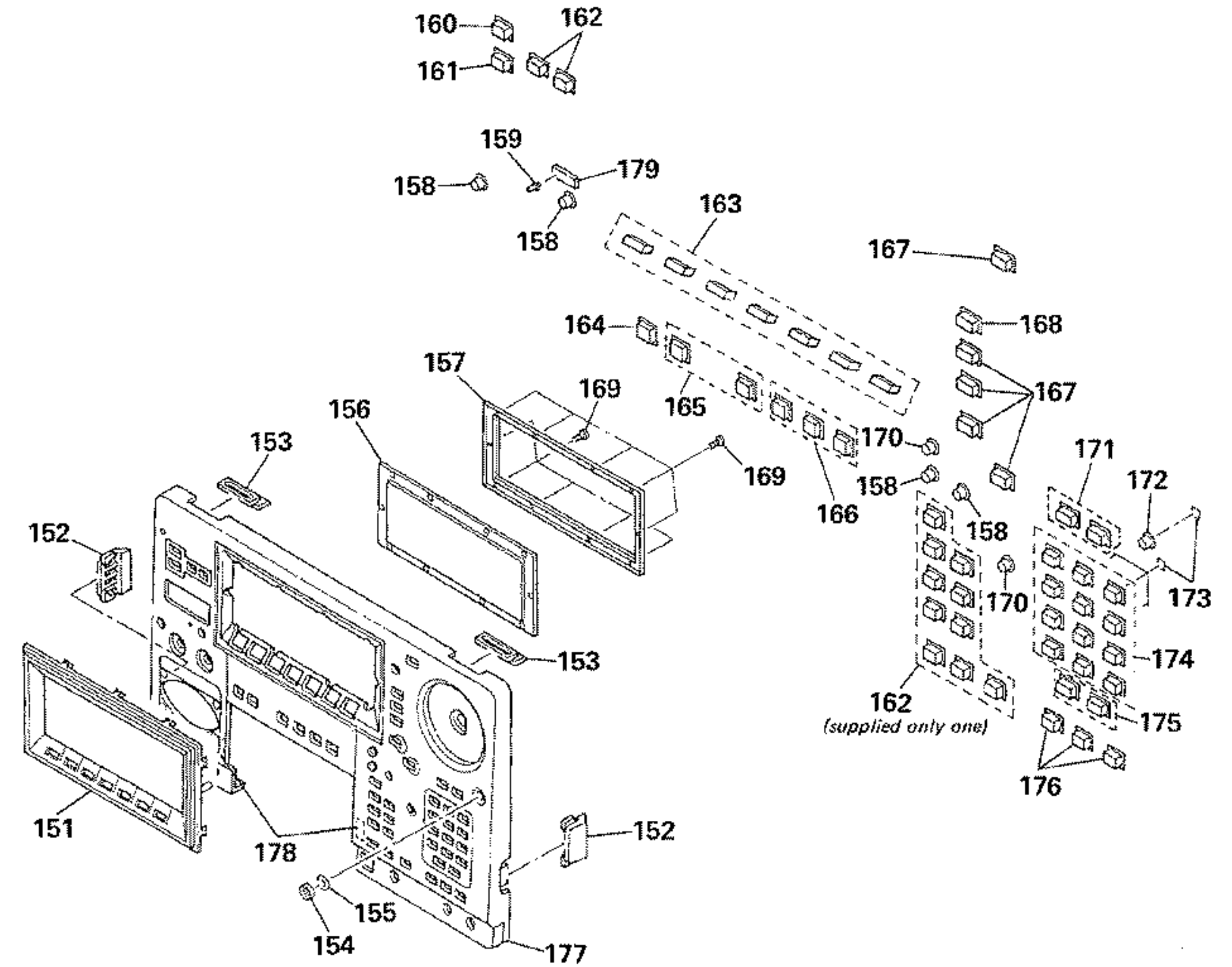
5-3. CABINET (FRONT)-1 SECTION



No.	Part No.	Description	Remarks
101	3-901-170-01	KNOB (A)	
102	*3-900-773-01	BUTTON (FAST FORWARD)	
103	*3-901-143-01	RING (C), ORNAMENTAL	
104	3-900-776-01	SLEEVE, KNOB	
105	3-900-777-01	SPRING (A)	
106	3-900-774-01	SHAFT (TUNING)	
107	3-900-775-01	BEARING (TUNING)	
108	3-901-136-01	SPRINGS (B)	
109	X-3900-704-1	KNOB B ASSY	110
110	3-901-104-01	SHAFT	
111	3-900-780-01	PANEL, SPEAKER	
112	3-901-117-01	NET, SPEAKER DUST PROTECTION	
113	*3-900-784-01	HOLDER (TIMER), LCD	
114	3-900-724-01	PLATE, LIGHT GUIDE	
115	4-860-518-00	CUSHION	
116	3-901-157-01	NUT (M4X1.0), HEXAGON	
117	3-900-714-01	BRACKET (ENCODER)	
118	3-900-791-01	KNOB	
119	3-831-441-XX	CUSHION	

No.	Part No.	Description	Remarks
120	7-682-547-04	SCREW +P 3X6	
121	7-624-133-34	STOP RING B, TYPE-CE	
122	7-685-647-79	SCREW +P 3X10 TYPE2 NON-SLIT	
123	7-682-903-11	SCREW +PWH 3X6	
124	7-621-255-35	SCREW +P 2X5	
125	7-624-104-04	STOP RING 2.0, TYPE -E	
904	A-3689-132-A	MOUNTED PCB, TIMER	
905	1-628-293-11	PC BOARD, FLEXIBLE	
906	1-628-292-11	PC BOARD, TIMER(10 KEY)FLEXIBLE	
907	1-628-290-11	PC BOARD, FUNCTION	
908	*1-628-291-11	10 KEY BOARD	
909	*1-628-281-11	PC BOARD, VR	
CN1351	1-535-686-11	CONDUCTOR BOARD, CONNECTION	
CN1352	1-535-686-11	CONDUCTOR BOARD, CONNECTION	
LU1301	1-808-099-11	DISPLAY PANEL, LIQUID CRYSTAL	
RV1501	1-237-905-11	RES, VAR, CARBON 1K (LCD CONTRAST)	
S1551	1-464-406-11	ENCODER, ROTARY	
SP601	1-503-881-11	SPEAKER	

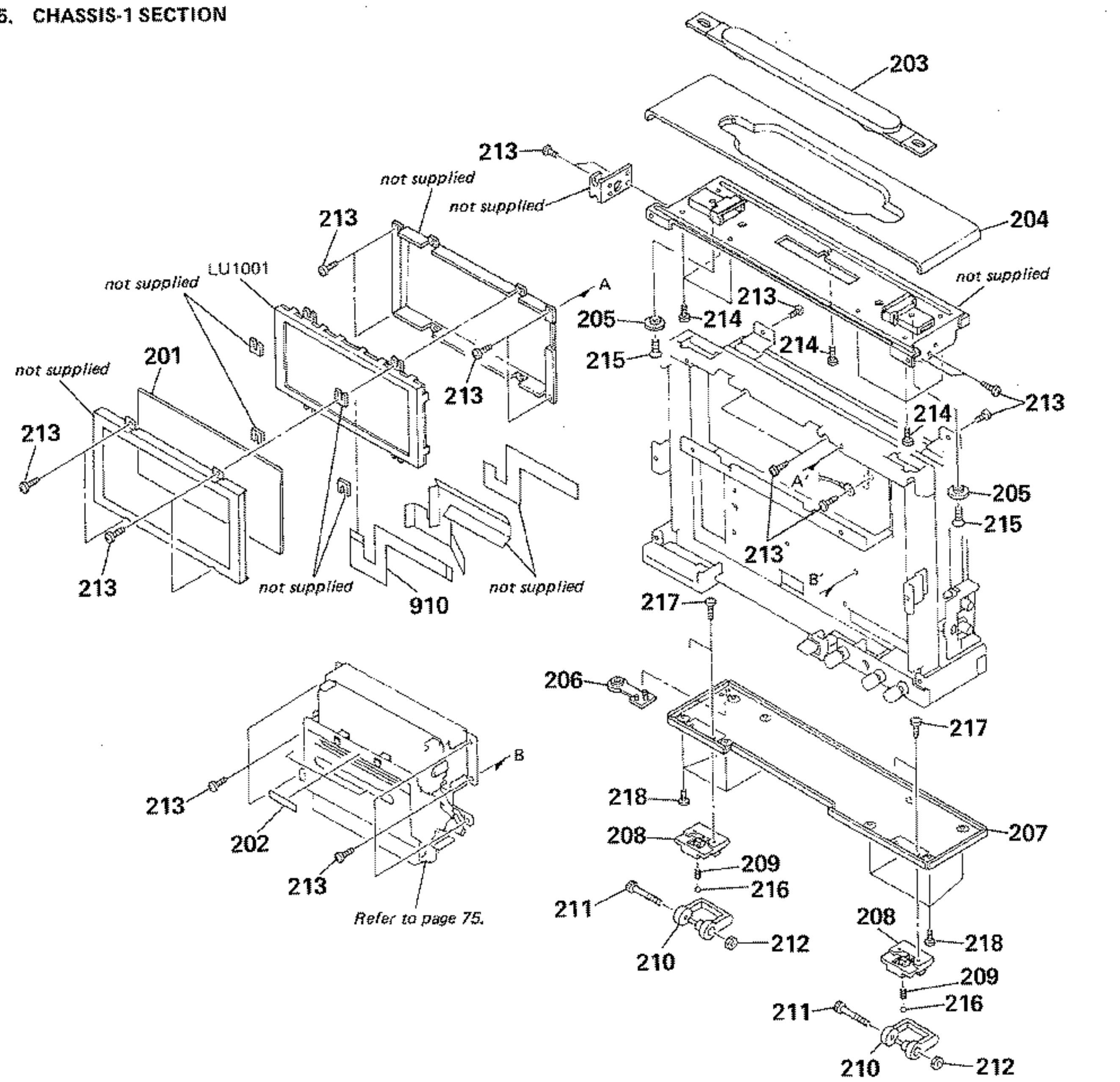
5-4. CABINET (FRONT)-2 SECTION



No.	Part No.	Description	Remarks
151	3-900-706-01	ESCUTCHEON	
152	3-901-103-01	RETAINER (B), COVER HOOK	
153	3-900-788-01	RETAINER (A), HOOK, COVER	
154	3-901-106-01	RING (A), ORNAMENTAL	
155	3-901-139-01	SHEET (RING A), ADHESIVE	
156	3-901-175-01	PLATE, TRANSPARENT	
157	*3-901-176-01	HOLDER, TRANSPARENT PLATE	
158	3-900-779-11	BUTTON (E)	
159	3-901-249-01	BUTTON (RESET)	
160	3-901-172-21	BUTTON (B)	
161	3-901-172-31	BUTTON (B)	
162	3-901-171-21	BUTTON (A)	
163	3-901-182-01	BUTTON (F)(7-PIECE SET)	
164	3-901-174-11	BUTTON (D)	
165	3-901-173-01	BUTTON (C)(2-PIECE SET)	

No.	Part No.	Description	Remarks
166	3-901-174-01	BUTTON (D)(3-PIECE SET)	
167	3-901-172-11	BUTTON (B)	
168	3-901-172-01	BUTTON (B)	
169	7-685-103-19	SCREW +P 2X5 TYPE2 NON-SLIT	
170	3-900-779-01	BUTTON (E)	
171	3-901-172-41	BUTTON (B)(2-PIECE SET)	
172	3-901-102-01	BUTTON (G)	
173	3-831-441-11	CUSHION (B)	
174	3-901-171-01	BUTTON (A)(12-PIECE SET)	
175	3-901-172-51	BUTTON (B)(2-PIECE SET)	
176	3-901-171-11	BUTTON (A)	
177	X-3900-705-1	(EXCEPT US)---- CABINET (FRONT)	
178	9-911-835-XX	SPACER	
179	*3-901-253-01	CUSHION (RESET)	

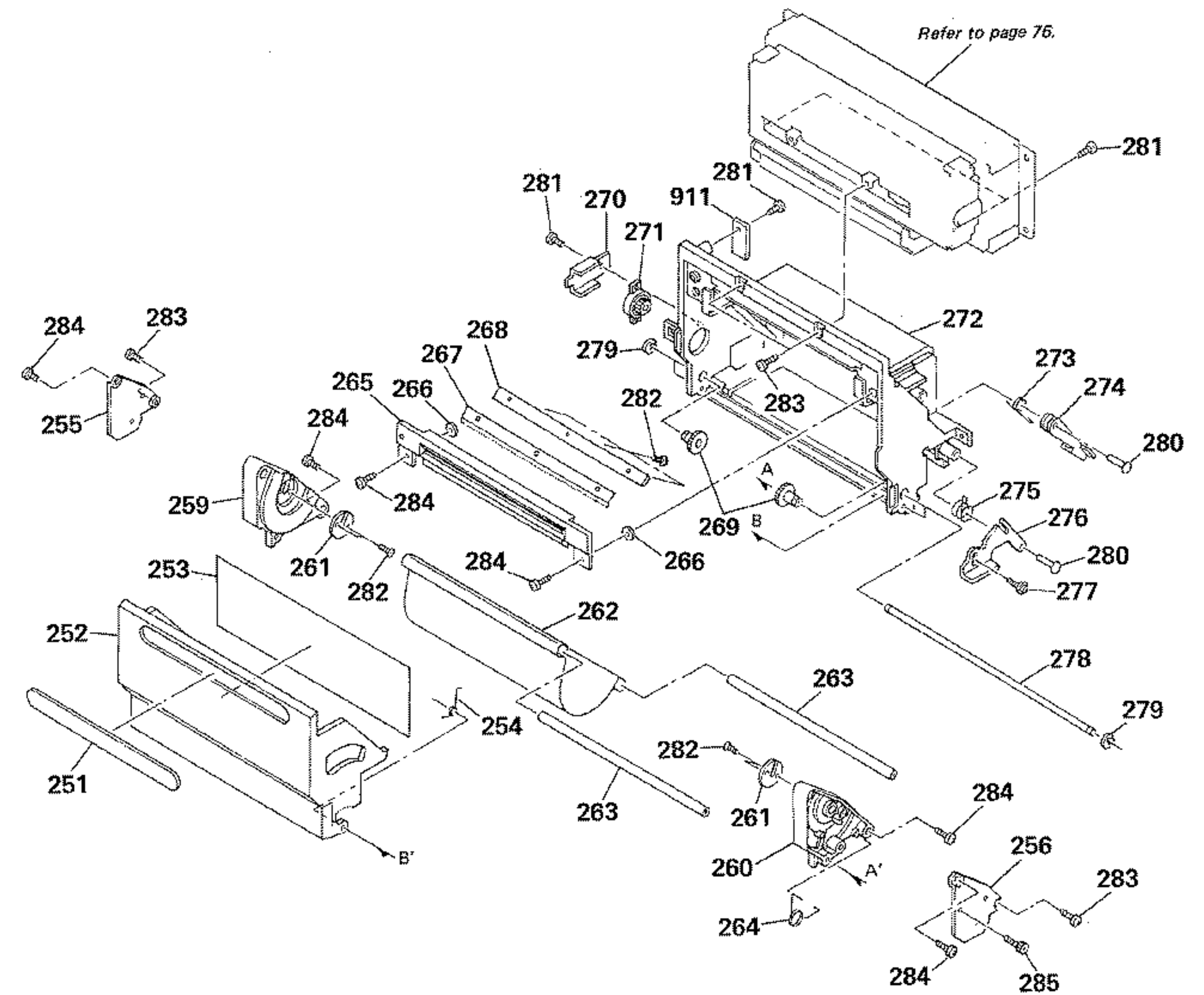
5-5. CHASSIS-1 SECTION



No.	Part No.	Description	Remarks
201	*3-901-228-01	PLATE, SHIELD. TRANSPARENT	
202	3-831-441-XX	CUSHION	
203	3-901-190-01	HANDLE	
204	3-901-197-01	LID, CABINET (UPPER)	
205	3-900-737-01	COLLAR (HANDLE)	
206	3-901-146-01	COVER, JACK	
207	*3-901-202-01	LID, BOTTOM	
208	3-900-753-01	TABLE, LEG	
209	3-901-116-01	SPRING (C), COMPRESSION	
210	3-900-752-01	LEG	

No.	Part No.	Description	Remarks
211	3-900-758-01	SCREW, HEXAGON SOCKET	
212	3-901-140-01	NUT (M4) (2), HEXAGON	
213	7-682-547-04	SCREW +P 3X6	
214	7-685-546-14	SCREW +BTP 3X8 TYPE2 N-S	
215	7-682-261-09	SCREW +K 4X8	
216	7-671-114-01	BALL 4, STEEL	
217	7-685-647-79	SCREW +P 3X10 TYPE2 NON-SLIT	
218	7-682-547-09	SCREW +P 3X6	
910	1-628-966-11	PC BOARD, FLEXIBLE	
LU1001	1-808-096-11	DISPLAY PANEL, LIQUID CRYSTAL	

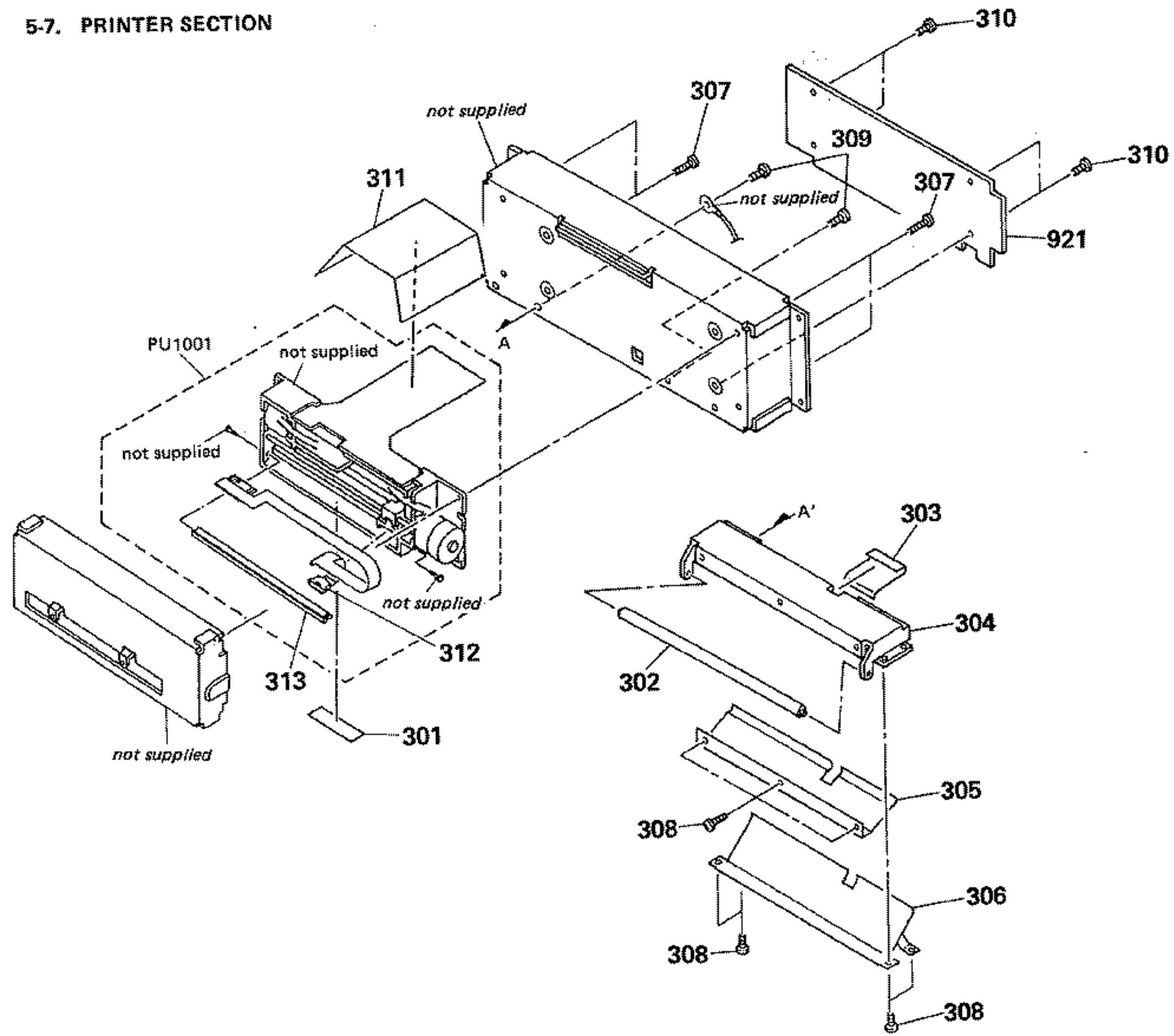
5-6. PAPER BOX SECTION



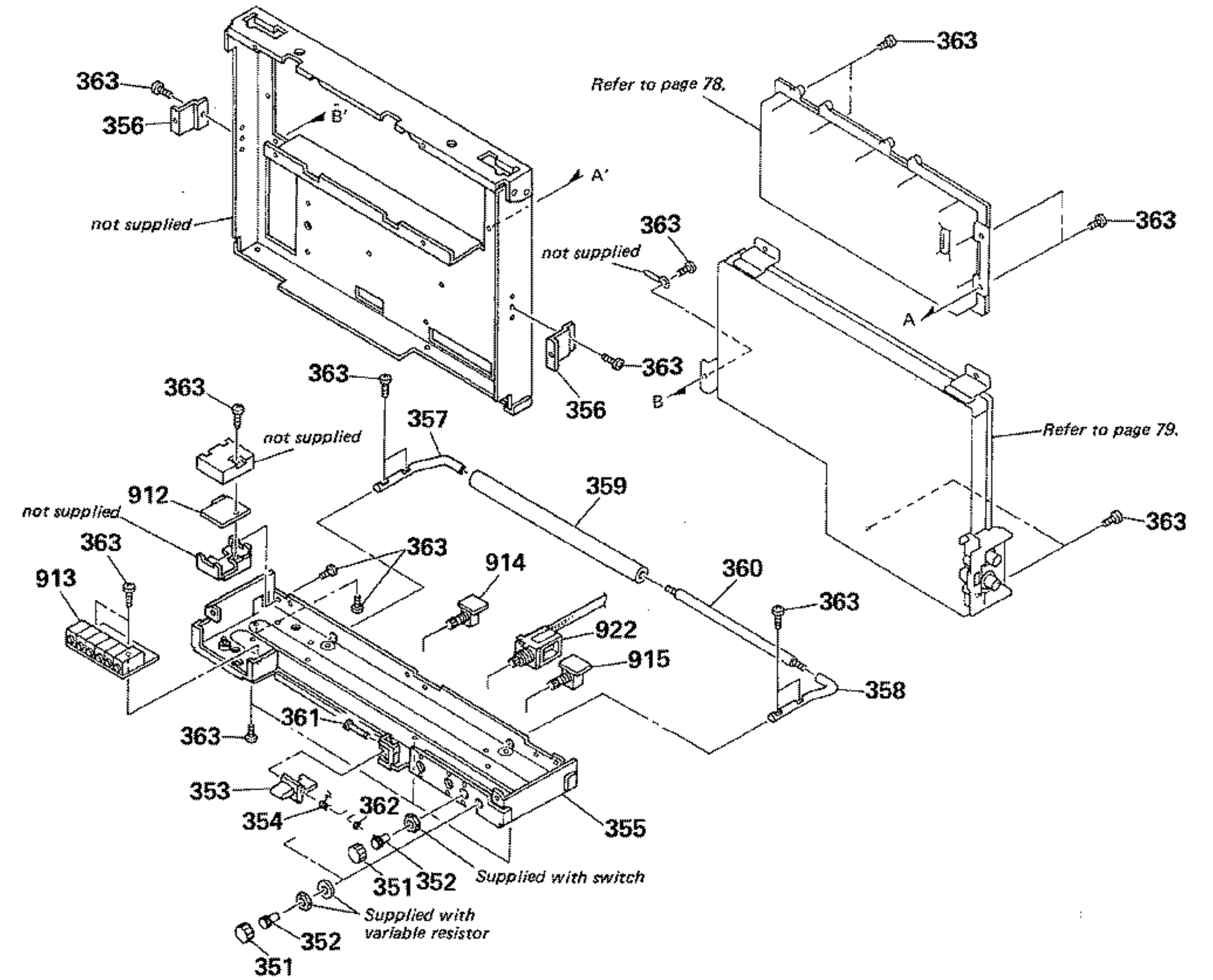
No.	Part No.	Description	Remarks
251	3-901-114-01	PAD, PAPER LID	
252	3-901-191-01	LID, PAPER	
253	*3-901-227-01	SEAL, PAPER SET	
254	3-900-748-01	SPRING (A)	
255	*3-900-797-01	BRACKET (LEFT), GEAR	
256	*3-900-796-01	BRACKET (RIGHT), GEAR	
259	*3-901-162-01	HOLDER (LEFT), PAPER	
260	*3-901-161-01	HOLDER (RIGHT), PAPER	
261	*3-900-742-01	PLATE, BEARING	
262	*3-901-166-01	COVER, PAPER	
263	*3-900-744-01	STAY, PAPER GUIDE	
264	3-900-750-01	SPRING (C)	
265	3-900-704-01	HOLDER (A)	
266	3-701-438-11	WASHER, 2.5	
267	3-900-759-01	BRACE	
268	3-900-702-01	HOLDER (B)	
269	3-900-738-01	GEAR (A)	

No.	Part No.	Description	Remarks
270	*3-901-115-01	STOPPER, DAMPER	
271	3-319-224-31	DAMPER, SMALL	
272	*3-901-199-01	BOX, PAPER	
273	3-900-798-01	SPRING (E)	
274	3-900-745-01	LEVER, LOCK	
275	3-900-749-01	SPRING (B)	
276	3-900-746-01	LEVER (A), RELEASE	
277	7-685-103-19	+ PTPWH (2X5)	
278	3-900-743-01	SHAFT	
279	7-624-104-04	STOP RING 2.0, TYPE -E	
280	7-625-724-70	RIVET 3X12	
281	7-685-647-79	SCREW +P 3X10 TYPE2 NON-SLIT	
282	7-627-452-27	+K 2X4	
283	7-685-645-79	SCREW +P 3X6 TYPE2 NON-SLIT	
284	7-682-548-09	SCREW +P 3X8	
285	3-901-152-01	BOLT (M3X4), HEXAGON SOCKET	
911	*1-628-286-11	PC BOARD, PAPER LED	

5-7. PRINTER SECTION



5-8. CHASSIS-2 SECTION



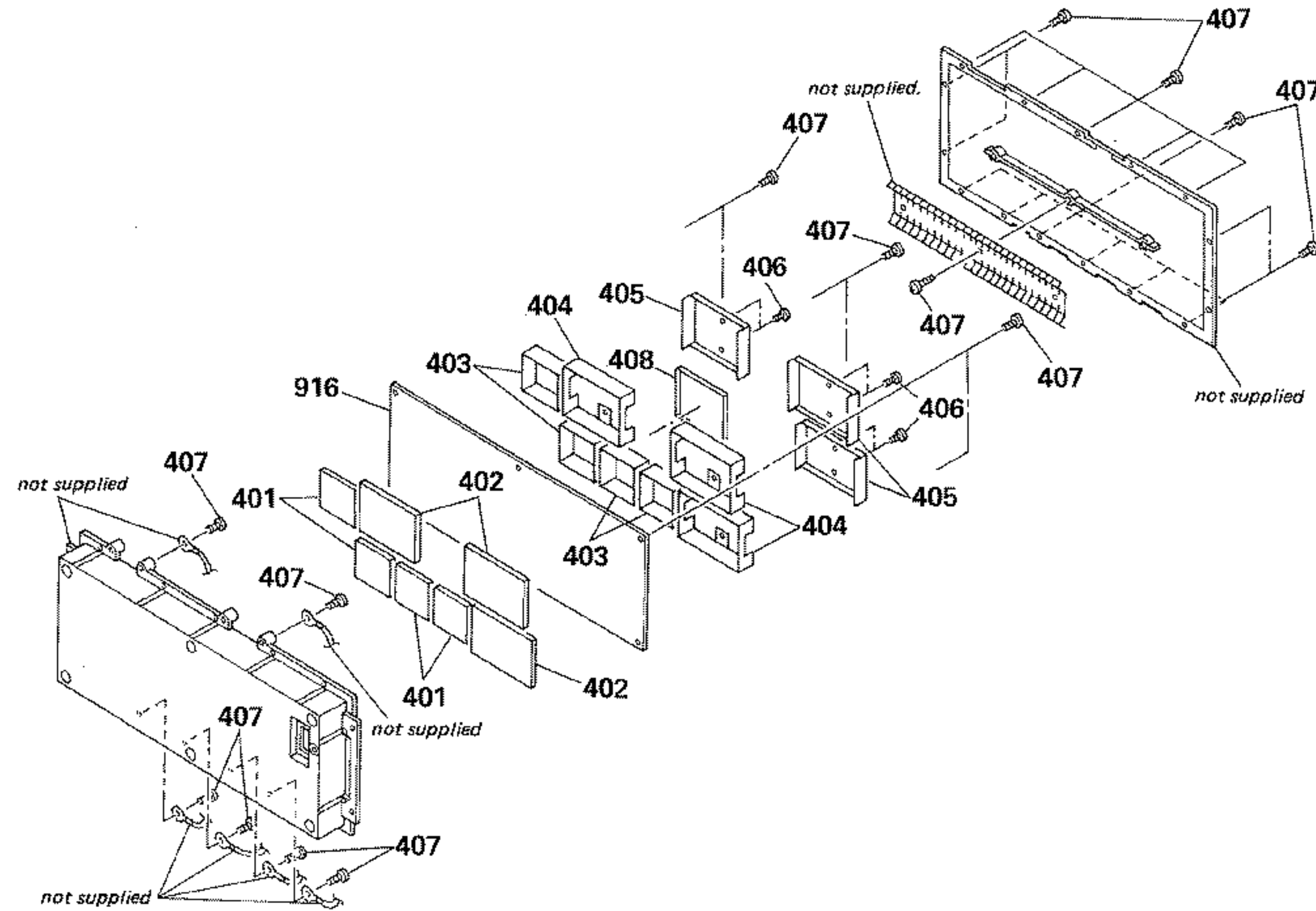
No.	Part No.	Description	Remarks
301	4-860-518-00	CUSHION	
302	3-900-790-01	ROLLER, PAPER	
303	*4-917-635-01	DAMPER (D)	
304	*3-901-167-01	HOLDER, PAPER GUIDE	
305	3-900-751-01	GUIDE (A), PAPER	
306	3-901-164-01	GUIDE (B), PAPER	
307	7-621-255-55	SCREW +P 2X8	
308	7-621-255-10	SCREW +P 2X3	

No.	Part No.	Description	Remarks
309	7-682-547-04	SCREW +P 3X6	
310	7-682-548-04	SCREW +P 3X8	
311	*3-901-267-01	PLATE (FPC-2), SHIELD	
312	1-550-494-11	HEAD, PRINTER (WITH FPC)	
313	3-901-283-01	PLATEN	
921	A-3689-131-A	MOUNTED PCB, PRINTER	
PU1001	1-550-344-11	PRINTER, THERMAL	312,313

No.	Part No.	Description	Remarks
351	3-900-786-02	KNOB (SELECTOR)	
352	3-901-236-01	SHAFT (SELECTOR)	
353	3-900-778-01	BUTTON (PAPER LID), RELEASE	
354	3-901-101-01	SPRING (H)	
355	*X-3900-702-1	PLATE ASSY, LOWER	
356	3-900-760-01	BRACKET	
357	3-900-754-01	LEG (RIGHT), REAR	
358	3-900-755-01	LEG (LEFT), REAR	
359	3-900-757-01	FOOT, RUBBER	

No.	Part No.	Description	Remarks
360	3-900-756-01	JOINT, FOOT	
361	3-900-761-01	SHAFT (B)	
362	7-624-102-04	STOP RING 1.5, TYPE -E	
363	7-682-547-04	SCREW +P 3X6	
912	*1-628-284-11	PC BOARD, DIN JACK	
913	*1-628-275-11	PC BOARD, JACK	
914	*1-628-278-11	PC BOARD, PB IN YR	
915	*1-628-276-11	PC BOARD, RF GAIN	
922	1-571-313-21	SWITCH, ROTARY SLIDE (REMOTE)	

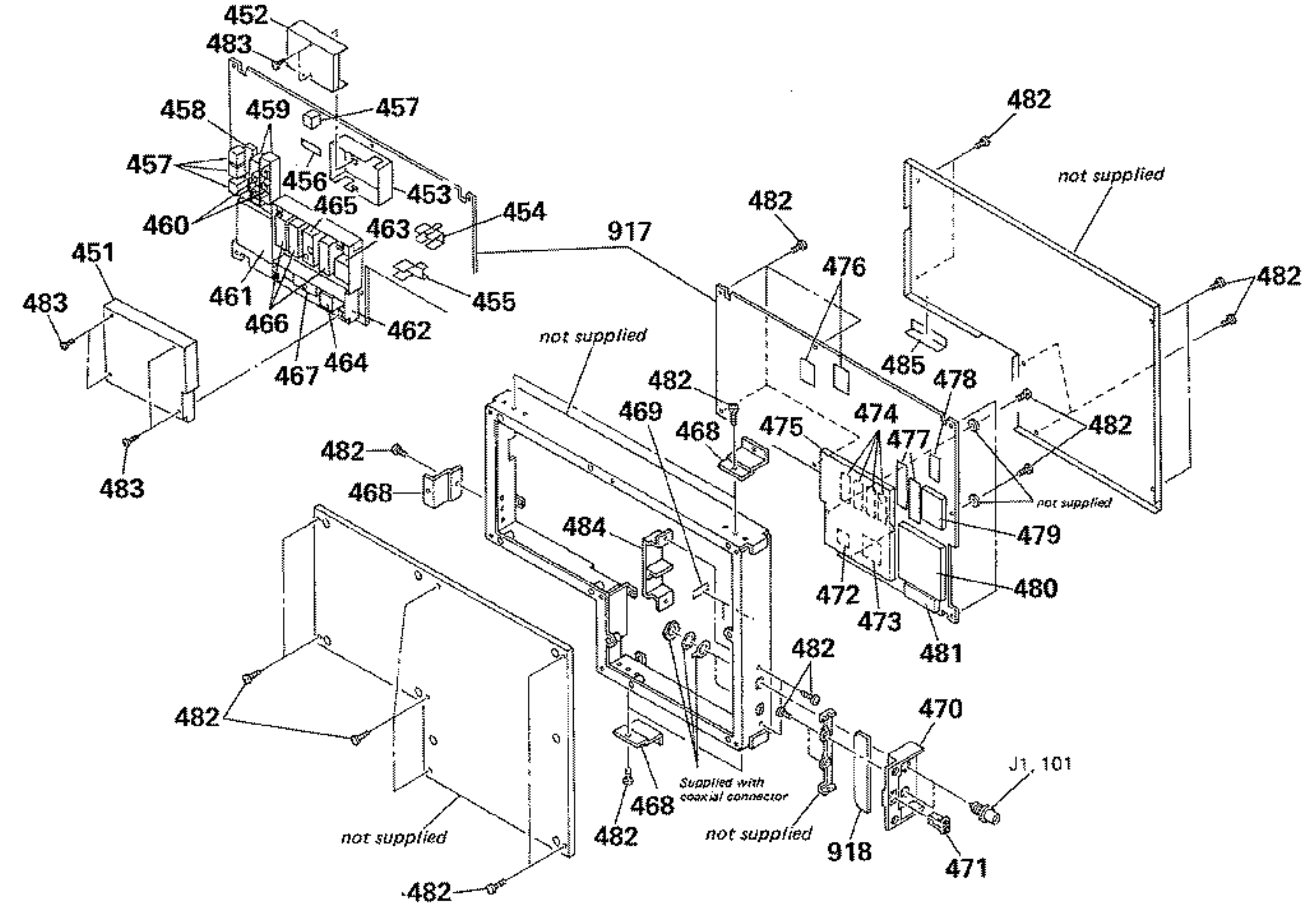
5-9. MICRO COMPUTER BOARD SECTION



No.	Part No.	Description	Remarks
401	*3-901-204-01	PLATE (M-P1), SHIELD	
402	*3-901-203-01	PLATE (M-P2), SHIELD	
403	*3-901-205-01	PLATE (M1), SHIELD	
404	*3-900-734-01	PLATE (S19), SHIELD	
405	*3-900-733-01	PLATE (S18), SHIELD	

No.	Part No.	Description	Remarks
406	7-621-255-10	SCREW +P 2X3	
407	7-682-547-04	SCREW +P 3X6	
408	*3-901-245-01	PLATE (M2), SHIELD	
916	A-3689-130-A	MOUNTED PCB, MICRO COMPUTER	

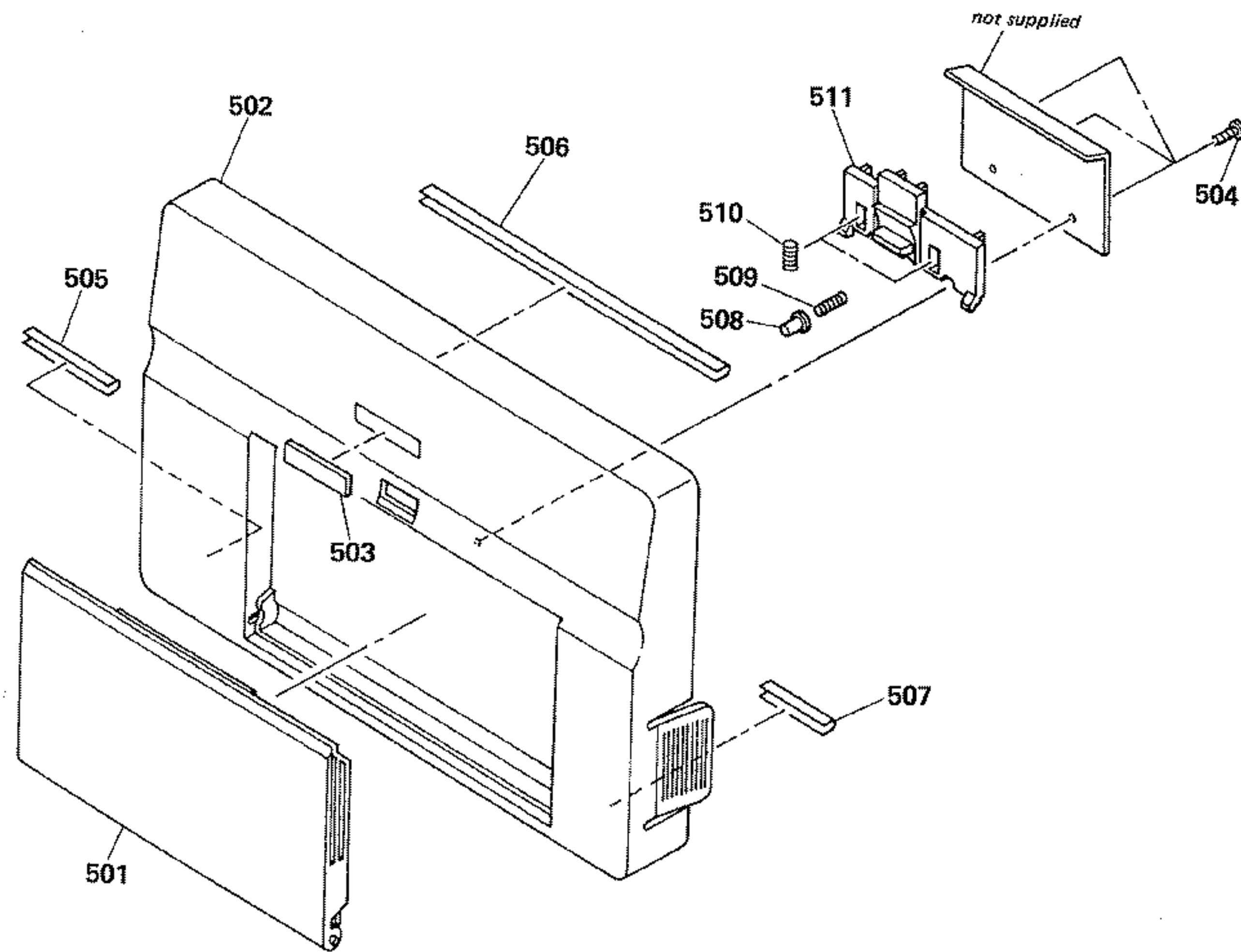
5-10. SIGNAL BOARD SECTION



No.	Part No.	Description	Remarks
451	*3-900-718-01	PLATE (S7), SHIELD	
452	*3-900-733-01	PLATE (S18), SHIELD	
453	*3-900-734-01	PLATE (S19), SHIELD	
454	*3-901-158-01	HEAT SINK (C)	
455	*3-900-731-01	HEAT SINK (REGULATOR)	
456	*3-900-722-01	PLATE (S11), SHIELD	
457	*3-900-719-01	PLATE (S8), SHIELD	
458	*3-900-729-01	PLATE (S15), SHIELD	
459	*3-900-735-01	PLATE (S20), SHIELD	
460	*3-900-723-01	PLATE (S12), SHIELD	
461	*3-900-720-01	PLATE (S9), SHIELD	
462	*3-901-159-01	PLATE (S6), SHIELD	
463	*3-891-832-01	CASE (A), SHIELD	
464	*3-900-716-01	PLATE (S2), SHIELD	
465	*3-900-715-01	PLATE (S1), SHIELD	
466	*3-900-715-11	PLATE (S1), SHIELD	
467	*3-900-717-01	PLATE (S3), SHIELD	
468	3-900-760-01	BRACKET	
469	3-831-441-11	CUSHION (B)	
470	3-901-189-01	TERMINAL, ANTENNA	

No.	Part No.	Description	Remarks
471	4-374-714-01	CATCH, PUSH	
472	*3-900-726-01	PLATE (S2-P), SHIELD	
473	*3-901-259-01	PLATE (S21-P), SHIELD	
474	*3-900-725-01	PLATE (S1-P), SHIELD	
475	*3-901-160-01	PLATE (S6-P), SHIELD	
476	*3-900-732-01	PLATE (S17-P), SHIELD	
477	*3-900-736-01	PLATE (S20-P), SHIELD	
478	*3-900-721-01	PLATE (S10-P), SHIELD	
479	*3-900-727-01	PLATE (S13-P), SHIELD	
480	*3-900-728-01	PLATE (S14-P), SHIELD	
481	*3-900-730-01	PLATE (S16-P), SHIELD	
482	7-682-547-04	SCREW +P 3X6	
483	7-621-255-10	SCREW +P 2X3	
484	*3-901-254-01	CASE (CONNECTOR), SHIELD	
485	*3-901-276-01	SHEET (BATT), INSULATING	
917	A-3665-029-A	MOUNTED PCB, SIGNAL	
918	*1-628-280-11	PC BOARD, ANTENNA POWER	
J1	1-562-261-21	CONNECTOR, COAXIAL (BNC)(SATELLITE)	
J101	1-562-261-21	CONNECTOR, COAXIAL (BNC) (ANTENNA FM/LW/MW/SW)	

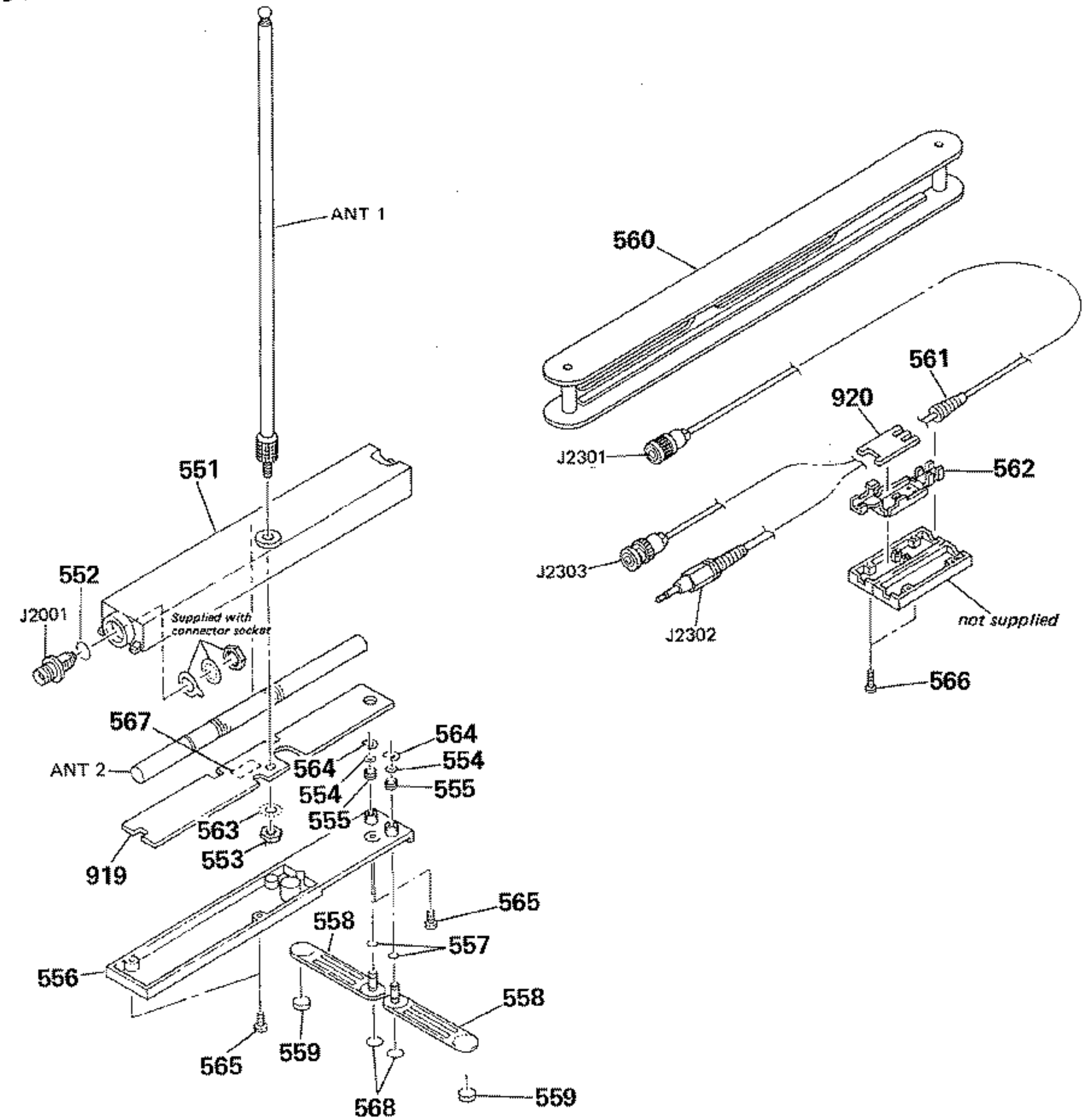
5-11. FRONT COVER SECTION



No.	Part No.	Description
501	3-900-707-01	POCKET
502	3-901-210-01	COVER, FRONT
503	3-704-178-01	EMBLEM (NO.8), SONY
504	7-685-647-79	SCREW +P 3X10 TYPE2 NON-SL IT
505	3-901-155-01	RUBBER (A), U TYPE
506	3-901-155-21	RUBBER (C), U TYPE

No.	Part No.	Description
507	3-901-155-11	RUBBER (B), U TYPE
508	3-901-135-01	PIN (POCKET), PUSH
509	3-426-508-00	SPRING, COMPRESSION
510	3-630-644-01	SPRING (B)
511	3-901-168-01	BUTTON (POCKET), RELEASE

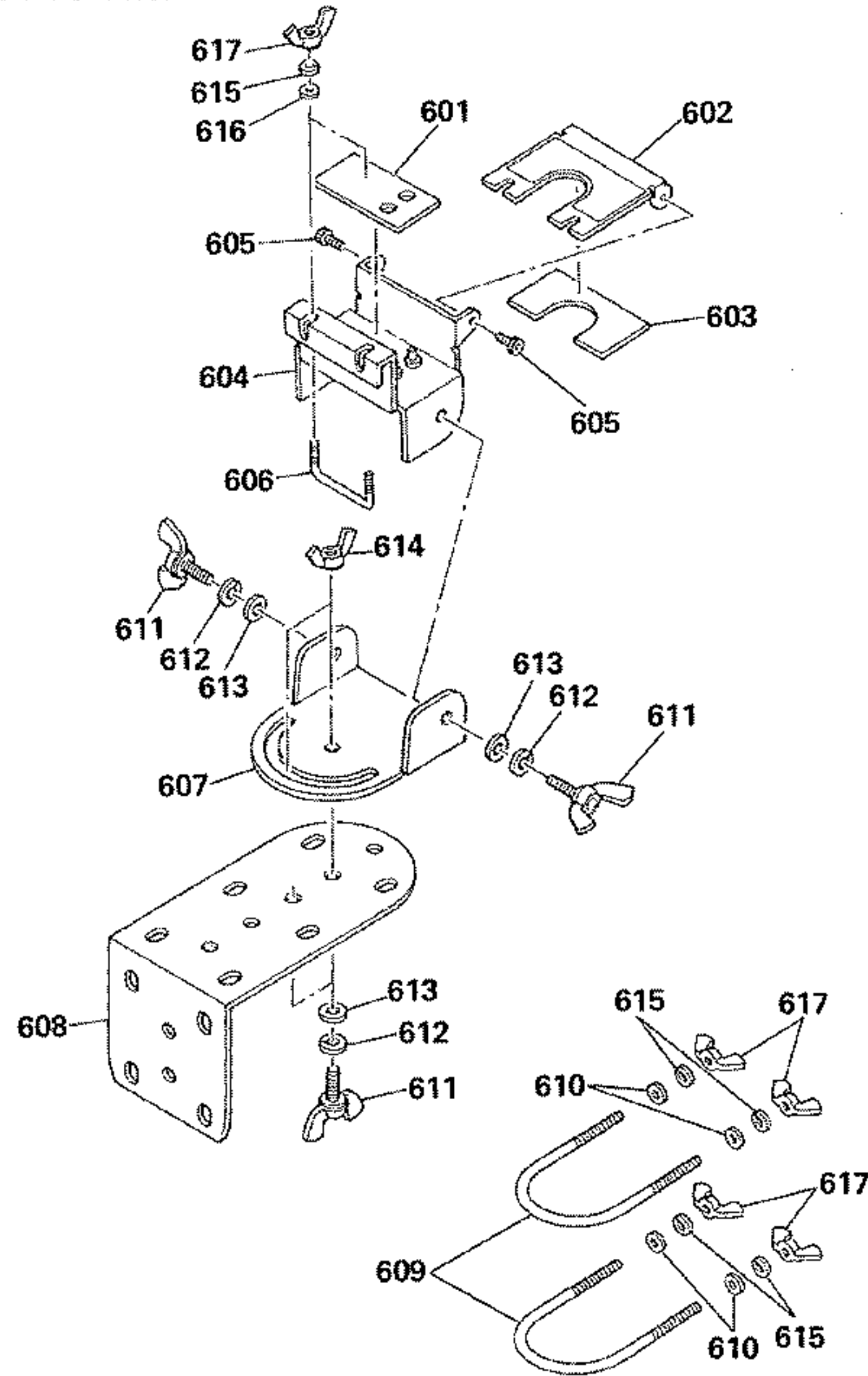
5-12. ANTENNA (AN-V21)/CABLE SECTION



No.	Part No.	Description
551	3-900-708-01	CASE (FRONT), ANTENNA
552	3-901-154-01	RING (TNC CONNECTOR), O
553	3-901-148-01	NUT (M6X0.75), HEXAGON
554	3-701-441-21	WASHER
555	3-901-229-01	SPRING (ANTENNA CASE FOOT)
556	3-900-709-01	CASE (REAR), ANTENNA
557	3-901-151-01	RING (FOOT), O
558	X-3900-701-1	FOOT ASSY
559	3-901-133-01	FOOT (ANTENNA CASE), RUBBER
560	X-3900-703-1	REEL ASSY, CORD
561	2-237-108-00	BUSHING
562	3-901-215-01	HOLDER (ANTENNA CORD)
563	7-623-425-07	LW 6, TYPE B

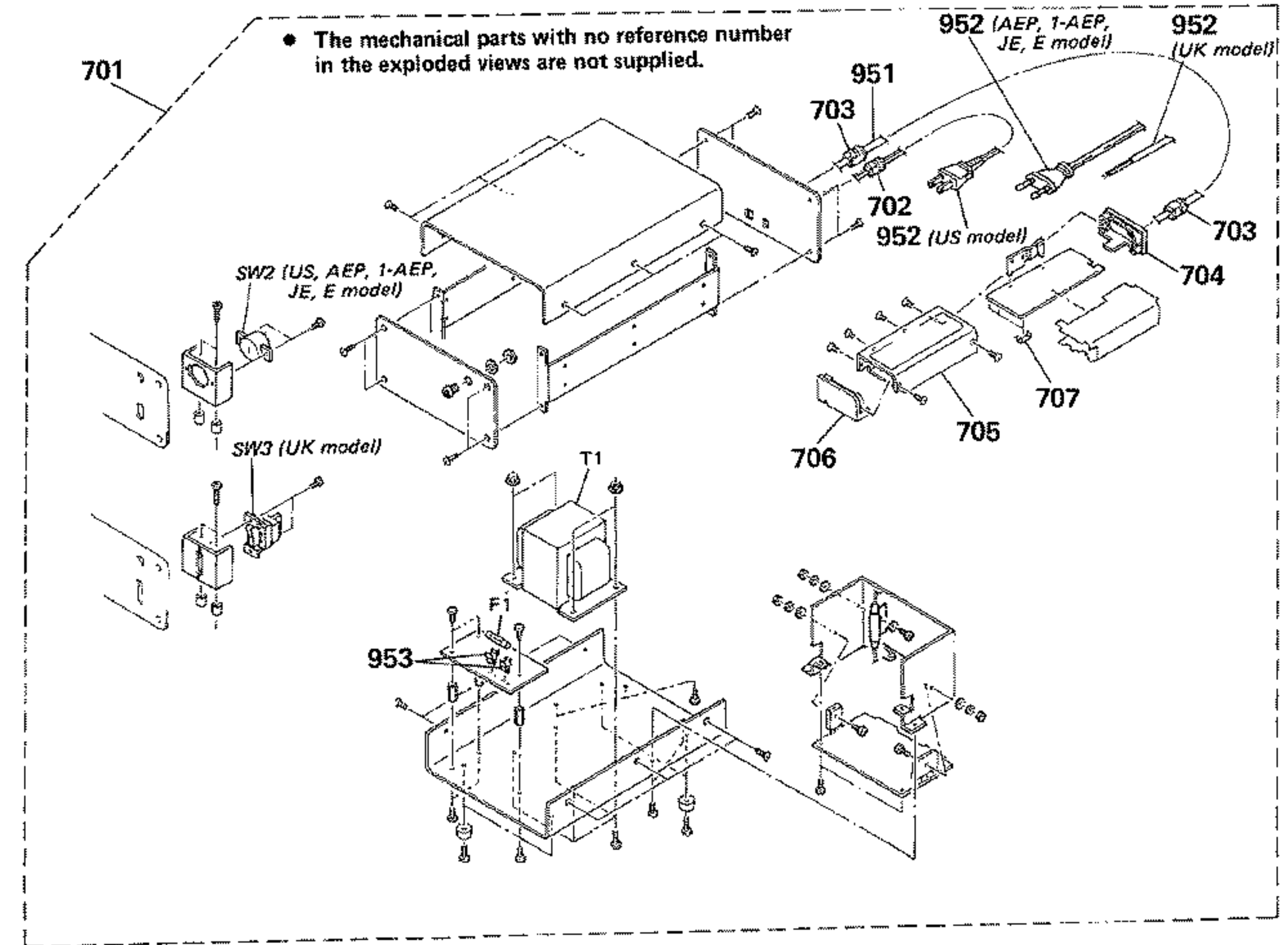
No.	Part No.	Description
564	7-624-106-04	STOP RING 3.0, TYPE -E
565	7-685-647-79	SCREW +P 3X10 TYPE2 NON-SL IT
566	7-621-775-40	SCREW +P 2.6X8
567	3-831-441-11	CUSHION (B)
568	3-901-270-01	SEAL, FOOT
919	A-3679-102-A	MOUNTED PCB, ACTIVE ANTENNA
920	*1-628-931-11	PC BOARD, ANTENNA RELAY
ANT1	1-501-393-11	ANTENNA, TELESCOPIC
ANT2	1-402-336-11	ANTENNA, FERRITE-ROD
J2001	*1-563-956-21	SOCKET, CONNECTOR
J2301	1-574-308-11	CABLE (WITH CONNECTOR)
J2302	1-574-307-11	CORD (WITH PLUG)
J2303	1-574-306-11	CABLE (WITH CONNECTOR)

5-13. ANTENNA BRACKET SECTION



No.	Part No.	Description	Remarks	No.	Part No.	Description	Remarks
601	*3-901-217-01	CUSHION (B)		610	3-901-261-01	WASHER	
602	*3-901-220-01	BRACKET, UPPER PLATE ANTENNA		611	7-688-561-17	BOLT, WING 6X15 TYPE2	
603	*3-901-216-01	CUSHION (A)		612	7-623-213-27	SW 6, TYPE 2	
604	*X-3900-708-1	BRACKET ASSY, ANTENNA		613	7-688-006-12	W 6, MIDDLE	
605	3-901-152-01	BOLT (M6X4), HEXAGON SOCKET		614	7-684-126-08	NUT, WING (M6)	
606	3-901-221-01	BOLT, SMALL		615	7-623-210-27	SW 4, TYPE 2	
607	*3-901-218-01	PLATE, ROTARY		616	7-688-004-12	W 4, MIDDLE	
608	*3-901-226-01	BRACKET		617	7-684-124-08	NUT, WING (M4)	
609	3-901-222-01	BOLT, U					

5-14. AC ADAPTOR (ACP-88R) SECTION



Ref.No.	Part No.	Description
701	△.1-465-107-21 (US)	AC ADAPTOR (ACP-88R)
	△.1-465-107-31 (E, AEP, I-AEP, JE)	AC ADAPTOR (ACP-88R)
	△.1-465-107-41 (UK)	AC ADAPTOR (ACP-88R)
702	3-901-280-01	BUSHING, CORD
703	3-901-281-01	BUSHING, CORD
704	*2-391-411-01	COVER, CASE
705	2-403-679-01	CASE
706	*2-350-407-01	COVER (F), CASE
707	*2-350-405-01	TERMINAL
951	1-574-818-11	CORD, CONNECTION
952	△.1-551-478-00 (US)	CORD, POWER
	△.1-555-795-00 (E, AEP, I-AEP, JE)	CORD, POWER
	△.1-556-035-00 (UK)	CORD, POWER
953	1-533-183-11	HOLDER, FUSE
F1	△.1-532-286-00 (E, AEP, I-AEP, UK, JE)	FUSE, TIME-LAG 2.5A 250V
1	△.1-532-826-11 (US)	FUSE, GLASS TUBE 2.5A 250V
1	△.1-449-708-11 (US)	TRANSFORMER, POWER
1	△.1-449-709-11 (UK)	TRANSFORMER, POWER
1	△.1-449-711-11 (E, AEP, I-AEP, JE)	TRANSFORMER, POWER
W2	△.1-553-691-00 (US, E, AEP, I-AEP, JE)	SELECTOR, POWER VOLTAGE
W3	△.1-570-743-21 (UK)	SWITCH, POWER

**Note:**  
The components identified by mark △ or dotted line with mark △ are critical for safety. Replace only with part number specified.

**Note:**  
Les composants identifiés par une marque △ sont critiques pour la sécurité. Ne les remplacer que par une pièce portant le numéro spécifié.



**SECTION 6  
ELECTRICAL PARTS LIST**

**NOTE:**

- Due to standardization, replacements in the parts list may be different from the parts specified in the diagrams or the components used on the set.
- Items marked "\*" are not stocked since they are seldom required for routine service. Some delay should be anticipated when ordering these items.
- If there are two or more same circuits in a set such as a stereophonic machine, only typical circuit parts may be indicated and capacitors and resistors in other same circuits may be omitted.

**CAPACITORS:**

MF:  $\mu$ F, PF:  $\mu$ MF.

**RESISTORS**

- All resistors are in ohms.
- F: nonflammable

**COILS**

- MMH: mH, UH:  $\mu$ H

**SEMICONDUCTORS**

In each case, U:  $\mu$ , for example:  
UA...:  $\mu$ A..., UPA...:  $\mu$ PA...,  
UPC...:  $\mu$ PC, UPD...:  $\mu$ PD...

The components identified by mark  $\Delta$  or dotted line with mark  $\Delta$  are critical for safety. Replace only with part number specified.

Les composants identifiés par une marque  $\Delta$  sont critiques pour la sécurité. Ne les remplacer que par une pièce portant le numéro spécifié.

Ref.No.	Part No.	Description
901	*1-628-282-11	PC BOARD, LAMP SW
902	*1-628-283-11	PC BOARD, POWER
903	*1-628-277-11	PC BOARD, LAMP
904	A-3689-132-A	MOUNTED PCB, TIMER
905	1-628-293-11	PC BOARD, FLEXIBLE
906	1-628-292-11	PC BOARD, TIMER(10 KEY)FLEXIBLE
907	1-628-290-11	PC BOARD, FUNCTION
908	*1-628-291-11	10 KEY BOARD
909	*1-628-281-11	PC BOARD, VR
910	1-628-966-11	PC BOARD, FLEXIBLE
911	*1-628-286-11	PC BOARD, PAPER LED
912	*1-628-284-11	PC BOARD, DIN JACK
913	*1-628-275-11	PC BOARD, JACK
914	*1-628-278-11	PC BOARD, PB IN VR
915	*1-628-276-11	PC BOARD, RF GAIN
916	A-3689-130-A	MOUNTED PCB, MICRO COMPUTER
917	A-3665-029-A	MOUNTED PCB, SIGNAL
918	*1-628-280-11	PC BOARD, ANTENNA POWER
919	A-3679-102-A	MOUNTED PCB, ACTIVE ANTENNA
920	*1-628-931-11	PC BOARD, ANTENNA RELAY
921	A-3689-131-A	MOUNTED PCB, PRINTER
922	1-571-313-21	SWITCH, ROTARY SLIDE (REMOTE)
ANT1	1-501-393-11	ANTENNA, TELESCOPIC
ANT2	1-402-336-11	ANTENNA, FERRITE-ROD
B21301	1-529-050-11	BUZZER, PIEZOELECTRIC
C3	1-135-149-11	TANTAL. CHIP 2.2MF 10% 6.3V
C4	1-163-021-00	CERAMIC CHIP 0.01MF 10% 50V
C5	1-126-204-11	ELECT CHIP 47MF 20% 16V
C6	1-163-038-00	CERAMIC CHIP 0.1MF 25V
C7	1-126-206-11	ELECT CHIP 100MF 20% 6.3V
C8	1-126-206-11	ELECT CHIP 100MF 20% 6.3V
C11	1-163-021-00	CERAMIC CHIP 0.01MF 10% 50V
C12	1-163-088-00	CERAMIC CHIP 5PF 50V
C13	1-163-087-00	CERAMIC CHIP 4PF 50V
C14	1-163-021-00	CERAMIC CHIP 0.01MF 10% 50V
C15	1-163-088-00	CERAMIC CHIP 5PF 50V
C18	1-163-086-00	CERAMIC CHIP 3PF 50V
C19	1-163-021-00	CERAMIC CHIP 0.01MF 10% 50V
C20	1-163-021-00	CERAMIC CHIP 0.01MF 10% 50V
C21	1-163-021-00	CERAMIC CHIP 0.01MF 10% 50V
C22	1-163-021-00	CERAMIC CHIP 0.01MF 10% 50V
C31	1-163-123-00	CERAMIC CHIP 180PF 5% 50V
C32	1-163-021-00	CERAMIC CHIP 0.01MF 10% 50V
C33	1-163-021-00	CERAMIC CHIP 0.01MF 10% 50V
C35	1-163-021-00	CERAMIC CHIP 0.01MF 10% 50V
C36	1-163-021-00	CERAMIC CHIP 0.01MF 10% 50V

Ref.No.	Part No.	Description
C37	1-163-021-00	CERAMIC CHIP 0.01MF 10% 50V
C38	1-163-021-00	CERAMIC CHIP 0.01MF 10% 50V
C39	1-163-085-00	CERAMIC CHIP 2PF 50V
C40	1-163-085-00	CERAMIC CHIP 2PF 50V
C41	1-163-125-00	CERAMIC CHIP 220PF 5% 50V
C42	1-163-021-00	CERAMIC CHIP 0.01MF 10% 50V
C43	1-163-021-00	CERAMIC CHIP 0.01MF 10% 50V
C44	1-163-021-00	CERAMIC CHIP 0.01MF 10% 50V
C45	1-163-021-00	CERAMIC CHIP 0.01MF 10% 50V
C46	1-163-021-00	CERAMIC CHIP 0.01MF 10% 50V
C51	1-163-037-11	CERAMIC CHIP 0.022MF 10% 25V
C52	1-163-037-11	CERAMIC CHIP 0.022MF 10% 25V
C53	1-163-037-11	CERAMIC CHIP 0.022MF 10% 25V
C54	1-163-017-00	CERAMIC CHIP 0.0047MF 10% 50V
C55	1-163-137-00	CERAMIC CHIP 680PF 5% 50V
C56	1-163-022-00	CERAMIC CHIP 0.012MF 10% 50V
C57	1-163-809-11	CERAMIC CHIP 0.047MF 10% 25V
C58	1-162-638-11	CERAMIC CHIP 1MF 16V
C59	1-162-638-11	CERAMIC CHIP 1MF 16V
C60	1-163-809-11	CERAMIC CHIP 0.047MF 10% 25V
C61	1-162-638-11	CERAMIC CHIP 1MF 16V
C62	1-163-021-00	CERAMIC CHIP 0.01MF 10% 50V
C63	1-163-021-00	CERAMIC CHIP 0.01MF 10% 50V
C64	1-124-778-00	ELECT CHIP 22MF 20% 6.3V
C65	1-163-021-00	CERAMIC CHIP 0.01MF 10% 50V
C66	1-163-021-00	CERAMIC CHIP 0.01MF 10% 50V
C67	1-124-778-00	ELECT CHIP 22MF 20% 6.3V
C68	1-163-021-00	CERAMIC CHIP 0.01MF 10% 50V
C69	1-163-015-00	CERAMIC CHIP 0.0033MF 10% 50V
C70	1-163-015-00	CERAMIC CHIP 0.0033MF 10% 50V
C71	1-163-809-11	CERAMIC CHIP 0.047MF 10% 25V
C81	1-163-021-00	CERAMIC CHIP 0.01MF 10% 50V
C82	1-163-091-00	CERAMIC CHIP 8PF 50V
C83	1-163-103-00	CERAMIC CHIP 27PF 5% 50V
C85	1-163-021-00	CERAMIC CHIP 0.01MF 10% 50V
C86	1-163-021-00	CERAMIC CHIP 0.01MF 10% 50V
C87	1-135-149-21	TANTAL. CHIP 2.2MF 10% 6.3V
C202	1-135-149-21	TANTAL. CHIP 2.2MF 10% 6.3V
C203	1-135-149-21	TANTAL. CHIP 2.2MF 10% 6.3V
C204	1-135-149-21	TANTAL. CHIP 2.2MF 10% 6.3V
C205	1-135-149-21	TANTAL. CHIP 2.2MF 10% 6.3V
C206	1-163-019-00	CERAMIC CHIP 0.0068MF 10% 50V
C207	1-163-133-00	CERAMIC CHIP 470PF 5% 50V
C208	1-163-022-00	CERAMIC CHIP 0.012MF 10% 50V
C209	1-163-143-00	CERAMIC CHIP 0.0012MF 5% 50V

Ref.No.	Part No.	Description
C210	1-163-019-00	CERAMIC CHIP 0.0068MF 10% 50V
C211	1-135-149-21	TANTAL. CHIP 2.2MF 10% 6.3V
C213	1-163-038-00	CERAMIC CHIP 0.1MF 25V
C214	1-163-038-00	CERAMIC CHIP 0.1MF 25V
C215	1-163-038-00	CERAMIC CHIP 0.1MF 25V
C216	1-163-038-00	CERAMIC CHIP 0.1MF 25V
C217	1-163-018-00	CERAMIC CHIP 0.0056MF 10% 50V
C218	1-163-137-00	CERAMIC CHIP 680PF 5% 50V
C219	1-163-020-00	CERAMIC CHIP 0.0082MF 10% 50V
C220	1-163-020-00	CERAMIC CHIP 0.0082MF 10% 50V
C221	1-164-161-11	CERAMIC CHIP 0.0022MF 10% 50V
C222	1-163-024-00	CERAMIC CHIP 0.018MF 10% 50V
C223	1-163-017-00	CERAMIC CHIP 0.0047MF 10% 50V
C224	1-163-038-00	CERAMIC CHIP 0.1MF 25V
C226	1-163-809-11	CERAMIC CHIP 0.047MF 10% 25V
C227	1-163-809-11	CERAMIC CHIP 0.047MF 10% 25V
C228	1-163-809-11	CERAMIC CHIP 0.047MF 10% 25V
C229	1-163-809-11	CERAMIC CHIP 0.047MF 10% 25V
C230	1-163-014-00	CERAMIC CHIP 0.0027MF 10% 50V
C231	1-163-131-00	CERAMIC CHIP 390PF 5% 50V
C232	1-163-016-00	CERAMIC CHIP 0.0039MF 10% 50V
C233	1-163-016-00	CERAMIC CHIP 0.0039MF 10% 50V
C234	1-163-143-00	CERAMIC CHIP 0.0012MF 5% 50V
C235	1-163-020-00	CERAMIC CHIP 0.0082MF 10% 50V
C236	1-163-014-00	CERAMIC CHIP 0.0027MF 10% 50V
C237	1-163-809-11	CERAMIC CHIP 0.047MF 10% 25V
C239	1-163-037-11	CERAMIC CHIP 0.022MF 10% 25V
C240	1-163-037-11	CERAMIC CHIP 0.022MF 10% 25V
C242	1-163-037-11	CERAMIC CHIP 0.022MF 10% 25V
C243	1-163-012-00	CERAMIC CHIP 0.0018MF 10% 50V
C244	1-163-123-00	CERAMIC CHIP 180PF 5% 50V
C245	1-163-145-00	CERAMIC CHIP 0.0015MF 5% 50V
C246	1-164-161-11	CERAMIC CHIP 0.0022MF 10% 50V
C247	1-163-137-00	CERAMIC CHIP 680PF 5% 50V
C248	1-163-017-00	CERAMIC CHIP 0.0047MF 10% 50V
C249	1-163-145-00	CERAMIC CHIP 0.0015MF 5% 50V
C250	1-163-037-11	CERAMIC CHIP 0.022MF 10% 25V
C252	1-163-021-00	CERAMIC CHIP 0.01MF 10% 50V
C253	1-163-021-00	CERAMIC CHIP 0.01MF 10% 50V
C255	1-163-021-00	CERAMIC CHIP 0.01MF 10% 50V
C256	1-163-139-00	CERAMIC CHIP 820PF 5% 50V
C257	1-163-117-00	CERAMIC CHIP 100PF 5% 50V
C258	1-163-139-00	CERAMIC CHIP 820PF 5% 50V
C259	1-163-141-00	CERAMIC CHIP 0.001MF 5% 50V
C260	1-163-127-00	CERAMIC CHIP 270PF 5% 50V
C261	1-163-143-00	CERAMIC CHIP 0.0012MF 5% 50V
C262	1-163-137-00	CERAMIC CHIP 680PF 5% 50V
C263	1-163-021-00	CERAMIC CHIP 0.01MF 10% 50V
C265	1-163-021-00	CERAMIC CHIP 0.01MF 10% 50V
C266	1-163-021-00	CERAMIC CHIP 0.01MF 10% 50V
C268	1-163-021-00	CERAMIC CHIP 0.01MF 10% 50V
C269	1-163-129-00	CERAMIC CHIP 330PF 5% 50V
C270	1-163-111-00	CERAMIC CHIP 56PF 5% 50V
C271	1-163-131-00	CERAMIC CHIP 390PF 5% 50V
C272	1-163-133-00	CERAMIC CHIP 470PF 5% 50V
C273	1-163-121-00	CERAMIC CHIP 150PF 5% 50V
C274	1-163-139-00	CERAMIC CHIP 820PF 5% 50V

Ref.No.	Part No.	Description
C275	1-163-127-00	CERAMIC CHIP 270PF 5% 50V
C276	1-163-021-00	CERAMIC CHIP 0.01MF 10% 50V
C278	1-163-021-00	CERAMIC CHIP 0.01MF 10% 50V
C279	1-163-021-00	CERAMIC CHIP 0.01MF 10% 50V
C281	1-163-021-00	CERAMIC CHIP 0.01MF 10% 50V
C282	1-163-125-00	CERAMIC CHIP 220PF 5% 50V
C283	1-163-107-00	CERAMIC CHIP 39PF 5% 50V
C284	1-163-125-00	CERAMIC CHIP 220PF 5% 50V
C285	1-163-125-00	CERAMIC CHIP 220PF 5% 50V
C286	1-163-115-00	CERAMIC CHIP 82PF 5% 50V
C287	1-163-131-00	CERAMIC CHIP 390PF 5% 50V
C288	1-163-123-00	CERAMIC CHIP 180PF 5% 50V
C289	1-163-021-00	CERAMIC CHIP 0.01MF 10% 50V
C290	1-135-149-21	TANTAL. CHIP 2.2MF 10% 6.3V
C291	1-163-021-00	CERAMIC CHIP 0.01MF 10% 50V
C292	1-163-091-00	CERAMIC CHIP 8PF 50V
C293	1-163-117-00	CERAMIC CHIP 100PF 5% 50V
C294	1-163-117-00	CERAMIC CHIP 100PF 5% 50V
C295	1-163-141-00	CERAMIC CHIP 0.001MF 5% 50V
C296	1-163-141-00	CERAMIC CHIP 0.001MF 5% 50V
C297	1-163-021-00	CERAMIC CHIP 0.01MF 10% 50V
C298	1-135-149-21	TANTAL. CHIP 2.2MF 10% 6.3V
C301	1-135-149-21	TANTAL. CHIP 2.2MF 10% 6.3V
C302	1-163-021-00	CERAMIC CHIP 0.01MF 10% 50V
C303	1-163-021-00	CERAMIC CHIP 0.01MF 10% 50V
C304	1-135-149-21	TANTAL. CHIP 2.2MF 10% 6.3V
C305	1-163-021-00	CERAMIC CHIP 0.01MF 10% 50V
C306	1-135-149-21	TANTAL. CHIP 2.2MF 10% 6.3V
C307	1-135-149-21	TANTAL. CHIP 2.2MF 10% 6.3V
C308	1-163-021-00	CERAMIC CHIP 0.01MF 10% 50V
C309	1-124-779-00	ELECT CHIP 10MF 20% 16V
C310	1-163-021-00	CERAMIC CHIP 0.01MF 10% 50V
C311	1-163-021-00	CERAMIC CHIP 0.01MF 10% 50V
C312	1-135-149-21	TANTAL. CHIP 2.2MF 10% 6.3V
C313	1-163-093-00	CERAMIC CHIP 10PF 5% 50V
C314	1-163-021-00	CERAMIC CHIP 0.01MF 10% 50V
C315	1-163-021-00	CERAMIC CHIP 0.01MF 10% 50V
C316	1-163-021-00	CERAMIC CHIP 0.01MF 10% 50V
C317	1-163-021-00	CERAMIC CHIP 0.01MF 10% 50V
C318	1-163-095-00	CERAMIC CHIP 12PF 5% 50V
C319	1-163-091-00	CERAMIC CHIP 8PF 50V
C320	1-163-021-00	CERAMIC CHIP 0.01MF 10% 50V
C321	1-163-097-00	CERAMIC CHIP 15PF 5% 50V
C322	1-163-021-00	CERAMIC CHIP 0.01MF 10% 50V
C323	1-163-021-00	CERAMIC CHIP 0.01MF 10% 50V
C324	1-163-809-11	CERAMIC CHIP 0.047MF 10% 25V
C327	1-124-779-00	ELECT CHIP 10MF 20% 16V
C328	1-163-117-00	CERAMIC CHIP 100PF 5% 50V
C329	1-163-117-00	CERAMIC CHIP 100PF 5% 50V
C340	1-163-105-00	CERAMIC CHIP 33PF 5% 50V
C341	1-163-021-00	CERAMIC CHIP 0.01MF 10% 50V
C401	1-163-809-11	CERAMIC CHIP 0.047MF 10% 25V
C402	1-163-809-11	CERAMIC CHIP 0.047MF 10% 25V
C403	1-124-779-00	ELECT CHIP 10MF 20% 16V
C404	1-163-141-00	CERAMIC CHIP 0.001MF 5% 50V
C405	1-163-809-11	CERAMIC CHIP 0.047MF 10% 25V
C406	1-163-809-11	CERAMIC CHIP 0.047MF 10% 25V



Ref.No.	Part No.	Description			
C821	1-163-021-00	CERAMIC CHIP 0.01MF	10%	50V	
C822	1-124-778-00	ELECT CHIP 22MF	20%	6.3V	
C823	1-163-021-00	CERAMIC CHIP 0.01MF	10%	50V	
C824	1-163-093-00	CERAMIC CHIP 10PF	5%	50V	
C825	1-163-083-00	CERAMIC CHIP 1PF	5%	50V	
C826	1-161-051-00	CERAMIC 0.01MF	20%	25V	
C827	1-163-021-00	CERAMIC CHIP 0.01MF	10%	50V	
C828	1-135-157-21	TANTAL. CHIP 10MF	10%	4V	
C829	1-163-021-00	CERAMIC CHIP 0.01MF	10%	50V	
C830	1-124-778-00	ELECT CHIP 22MF	20%	6.3V	
C831	1-163-021-00	CERAMIC CHIP 0.01MF	10%	50V	
C832	1-163-093-00	CERAMIC CHIP 10PF	5%	50V	
C833	1-163-083-00	CERAMIC CHIP 1PF	5%	50V	
C834	1-161-051-00	CERAMIC 0.01MF	20%	25V	
C835	1-163-021-00	CERAMIC CHIP 0.01MF	10%	50V	
C836	1-135-157-21	TANTAL. CHIP 10MF	10%	4V	
C837	1-130-768-00	FILM 0.1MF	10%	63V	
C838	1-163-125-00	CERAMIC CHIP 220PF	5%	50V	
C839	1-163-085-00	CERAMIC CHIP 2PF	5%	50V	
C840	1-163-085-00	CERAMIC CHIP 2PF	5%	50V	
C841	1-124-778-00	ELECT CHIP 22MF	20%	6.3V	
C842	1-163-021-00	CERAMIC CHIP 0.01MF	10%	50V	
C843	1-163-021-00	CERAMIC CHIP 0.01MF	10%	50V	
C844	1-163-021-00	CERAMIC CHIP 0.01MF	10%	50V	
C845	1-163-021-00	CERAMIC CHIP 0.01MF	10%	50V	
C851	1-163-117-00	CERAMIC CHIP 100PF	5%	50V	
C852	1-124-778-00	ELECT CHIP 22MF	20%	6.3V	
C853	1-163-021-00	CERAMIC CHIP 0.01MF	10%	50V	
C854	1-163-117-00	CERAMIC CHIP 100PF	5%	50V	
C855	1-163-117-00	CERAMIC CHIP 100PF	5%	50V	
C856	1-163-117-00	CERAMIC CHIP 100PF	5%	50V	
C857	1-163-093-00	CERAMIC CHIP 10PF	5%	50V	
C858	1-163-809-11	CERAMIC CHIP 0.047MF	10%	25V	
C859	1-130-770-00	FILM 0.15MF	10%	63V	
C860	1-124-778-00	ELECT CHIP 22MF	20%	6.3V	
C861	1-163-021-00	CERAMIC CHIP 0.01MF	10%	50V	
C862	1-163-021-00	CERAMIC CHIP 0.01MF	10%	50V	
C863	1-163-101-00	CERAMIC CHIP 22PF	5%	50V	
C864	1-163-077-00	CERAMIC CHIP 0.1MF	10%	25V	
C865	1-163-038-00	CERAMIC CHIP 0.1MF	10%	25V	
C866	1-163-021-00	CERAMIC CHIP 0.01MF	10%	50V	
C867	1-163-021-00	CERAMIC CHIP 0.01MF	10%	50V	
C868	1-163-021-00	CERAMIC CHIP 0.01MF	10%	50V	
C869	1-163-129-00	CERAMIC CHIP 330PF	5%	50V	
C870	1-163-139-00	CERAMIC CHIP 820PF	5%	50V	
C871	1-163-111-00	CERAMIC CHIP 56PF	5%	50V	
C872	1-163-077-00	CERAMIC CHIP 0.1MF	10%	25V	
C873	1-163-038-00	CERAMIC CHIP 0.1MF	10%	25V	
C874	1-163-117-00	CERAMIC CHIP 100PF	5%	50V	
C875	1-163-077-00	CERAMIC CHIP 0.1MF	10%	25V	
C876	1-163-077-00	CERAMIC CHIP 0.1MF	10%	25V	
C877	1-163-021-00	CERAMIC CHIP 0.01MF	10%	50V	
C878	1-163-077-00	CERAMIC CHIP 0.1MF	10%	25V	
C879	1-163-038-00	CERAMIC CHIP 0.1MF	10%	25V	
C880	1-163-117-00	CERAMIC CHIP 100PF	5%	50V	
C881	1-163-021-00	CERAMIC CHIP 0.01MF	10%	50V	
C882	1-135-149-21	TANTAL. CHIP 2.2MF	10%	6.3V	

Ref.No.	Part No.	Description			
C883	1-163-107-00	CERAMIC CHIP 39PF	5%	50V	
C884	1-163-021-00	CERAMIC CHIP 0.01MF	10%	50V	
C885	1-163-021-00	CERAMIC CHIP 0.01MF	10%	50V	
C901	1-163-085-00	CERAMIC CHIP 2PF	5%	50V	
C902	1-135-157-21	TANTAL. CHIP 10MF	10%	4V	
C903	1-163-021-00	CERAMIC CHIP 0.01MF	10%	50V	
C904	1-163-809-11	CERAMIC CHIP 0.047MF	10%	25V	
C905	1-130-773-11	FILM 0.27MF	10%	63V	
C906	1-163-125-00	CERAMIC CHIP 220PF	5%	50V	
C907	1-163-085-00	CERAMIC CHIP 2PF	5%	50V	
C908	1-124-778-00	ELECT CHIP 22MF	20%	6.3V	
C909	1-163-021-00	CERAMIC CHIP 0.01MF	10%	50V	
C910	1-163-021-00	CERAMIC CHIP 0.01MF	10%	50V	
C911	1-163-021-00	CERAMIC CHIP 0.01MF	10%	50V	
C912	1-163-093-00	CERAMIC CHIP 10PF	5%	50V	
C914	1-163-107-00	CERAMIC CHIP 39PF	5%	50V	
C915	1-163-021-00	CERAMIC CHIP 0.01MF	10%	50V	
C916	1-163-021-00	CERAMIC CHIP 0.01MF	10%	50V	
C917	1-163-141-00	CERAMIC CHIP 0.001MF	5%	50V	
C918	1-163-141-00	CERAMIC CHIP 0.001MF	5%	50V	
C919	1-163-141-00	CERAMIC CHIP 0.001MF	5%	50V	
C920	1-163-141-00	CERAMIC CHIP 0.001MF	5%	50V	
C921	1-163-117-00	CERAMIC CHIP 100PF	5%	50V	
C922	1-163-117-00	CERAMIC CHIP 100PF	5%	50V	
C923	1-163-117-00	CERAMIC CHIP 100PF	5%	50V	
C924	1-163-117-00	CERAMIC CHIP 100PF	5%	50V	
C925	1-163-117-00	CERAMIC CHIP 100PF	5%	50V	
C926	1-163-117-00	CERAMIC CHIP 100PF	5%	50V	
C927	1-135-157-21	TANTAL. CHIP 10MF	10%	4V	
C928	1-163-021-00	CERAMIC CHIP 0.01MF	10%	50V	
C929	1-163-117-00	CERAMIC CHIP 100PF	5%	50V	
C930	1-163-021-00	CERAMIC CHIP 0.01MF	10%	50V	
C931	1-163-021-00	CERAMIC CHIP 0.01MF	10%	50V	
C940	1-135-157-21	TANTAL. CHIP 10MF	10%	4V	
C941	1-163-021-00	CERAMIC CHIP 0.01MF	10%	50V	
C942	1-163-109-00	CERAMIC CHIP 47PF	5%	50V	
C943	1-161-051-00	CERAMIC 0.01MF	20%	25V	
C944	1-163-083-00	CERAMIC CHIP 1PF	5%	50V	
C945	1-163-085-00	CERAMIC CHIP 2PF	5%	50V	
C951	1-124-778-00	ELECT CHIP 22MF	20%	6.3V	
C952	1-163-087-00	CERAMIC CHIP 4PF	5%	50V	
C953	1-163-088-00	CERAMIC CHIP 5PF	5%	50V	
C954	1-126-199-11	ELECT CHIP 6.8MF	20%	35V	
C955	1-130-768-00	FILM 0.1MF	10%	63V	
C956	1-124-778-00	ELECT CHIP 22MF	20%	6.3V	
C957	1-163-021-00	CERAMIC CHIP 0.01MF	10%	50V	
C958	1-163-021-00	CERAMIC CHIP 0.01MF	10%	50V	
C960	1-124-778-00	ELECT CHIP 22MF	20%	6.3V	
C961	1-163-021-00	CERAMIC CHIP 0.01MF	10%	50V	
C962	1-163-021-00	CERAMIC CHIP 0.01MF	10%	50V	
C964	1-163-021-00	CERAMIC CHIP 0.01MF	10%	50V	
C965	1-163-021-00	CERAMIC CHIP 0.01MF	10%	50V	
C966	1-163-021-00	CERAMIC CHIP 0.01MF	10%	50V	
C967	1-163-021-00	CERAMIC CHIP 0.01MF	10%	50V	
C968	1-163-021-00	CERAMIC CHIP 0.01MF	10%	50V	
C1001	1-163-021-00	CERAMIC CHIP 0.01MF	10%	50V	
C1002	1-163-021-00	CERAMIC CHIP 0.01MF	10%	50V	

Ref.No.	Part No.	Description			
C1003	1-126-199-11	ELECT CHIP 6.8MF	20%	35V	
C1004	1-163-021-00	CERAMIC CHIP 0.01MF	10%	50V	
C1005	1-163-077-00	CERAMIC CHIP 0.1MF	10%	25V	
C1006	1-163-021-00	CERAMIC CHIP 0.01MF	10%	50V	
C1007	1-163-077-00	CERAMIC CHIP 0.1MF	10%	25V	
C1008	1-126-199-11	ELECT CHIP 6.8MF	20%	35V	
C1009	1-163-117-00	CERAMIC CHIP 100PF	5%	50V	
C1010	1-163-117-00	CERAMIC CHIP 100PF	5%	50V	
C1011	1-163-077-00	CERAMIC CHIP 0.1MF	10%	25V	
C1012	1-163-038-00	CERAMIC CHIP 0.1MF	10%	25V	
C1013	1-163-117-00	CERAMIC CHIP 100PF	5%	50V	
C1014	1-163-117-00	CERAMIC CHIP 100PF	5%	50V	
C1015	1-163-111-00	CERAMIC CHIP 56PF	5%	50V	
C1016	1-163-021-00	CERAMIC CHIP 0.01MF	10%	50V	
C1017	1-163-021-00	CERAMIC CHIP 0.01MF	10%	50V	
C1021	1-126-199-11	ELECT CHIP 6.8MF	20%	35V	
C1022	1-126-199-11	ELECT CHIP 6.8MF	20%	35V	
C1023	1-163-021-00	CERAMIC CHIP 0.01MF	10%	50V	
C1024	1-163-021-00	CERAMIC CHIP 0.01MF	10%	50V	
C1025	1-126-199-11	ELECT CHIP 6.8MF	20%	35V	
C1026	1-163-021-00	CERAMIC CHIP 0.01MF	10%	50V	
C1027	1-163-021-00	CERAMIC CHIP 0.01MF	10%	50V	
C1028	1-126-199-11	ELECT CHIP 6.8MF	20%	35V	
C1031	1-163-021-00	CERAMIC CHIP 0.01MF	10%	50V	
C1032	1-163-077-00	CERAMIC CHIP 0.1MF	10%	25V	
C1033	1-163-017-00	CERAMIC CHIP 0.0047MF	10%	50V	
C1034	1-126-206-11	ELECT CHIP 100MF	20%	6.3V	
C1035	1-163-021-00	CERAMIC CHIP 0.01MF	10%	50V	
C1041	1-163-021-00	CERAMIC CHIP 0.01MF	10%	50V	
C1042	1-163-021-00	CERAMIC CHIP 0.01MF	10%	50V	
C1043	1-126-199-11	ELECT CHIP 6.8MF	20%	35V	
C1044	1-163-021-00	CERAMIC CHIP 0.01MF	10%	50V	
C1045	1-126-199-11	ELECT CHIP 6.8MF	20%	35V	
C1046	1-163-021-00	CERAMIC CHIP 0.01MF	10%	50V	
C1047	1-163-021-00	CERAMIC CHIP 0.01MF	10%	50V	
C1048	1-164-161-11	CERAMIC CHIP 0.0022MF	10%	50V	
C1049	1-126-199-11	ELECT CHIP 6.8MF	20%	35V	
C1050	1-163-021-00	CERAMIC CHIP 0.01MF	10%	50V	
C1051	1-163-021-00	CERAMIC CHIP 0.01MF	10%	50V	
C1052	1-126-199-11	ELECT CHIP 6.8MF	20%	35V	
C1053	1-163-021-00	CERAMIC CHIP 0.01MF	10%	50V	
C1061	1-163-038-00	CERAMIC CHIP 0.1MF	10%	25V	
C1062	1-163-021-00	CERAMIC CHIP 0.01MF	10%	50V	
C1063	1-125-513-11	DOUBLE LAYER 47000MF	5.5V		
C1064	1-126-199-11	ELECT CHIP 6.8MF	20%	35V	
C1071	1-126-206-11	ELECT CHIP 100MF	20%	6.3V	
C1072	1-126-206-11	ELECT CHIP 100MF	20%	6.3V	
C1073	1-126-206-11	ELECT CHIP 100MF	20%	6.3V	
C1074	1-126-206-11	ELECT CHIP 100MF	20%	6.3V	
C1075	1-125-404-00	DOUBLE LAYER 0.47F	5.5V		
C1076	1-126-204-11	ELECT CHIP 47MF	20%	16V	
C1077	1-163-021-00	CERAMIC CHIP 0.01MF	10%	50V	
C1078	1-162-638-11	CERAMIC CHIP 1MF	16V		
C1099	1-565-923-11	BAR. BUS			
C1101	1-163-021-00	CERAMIC CHIP 0.01MF	10%	50V	
C1102	1-163-021-00	CERAMIC CHIP 0.01MF	10%	50V	
C1103	1-163-021-00	CERAMIC CHIP 0.01MF	10%	50V	

Ref.No.	Part No.	Description			
C1104	1-163-021-00	CERAMIC CHIP 0.01MF	10%	50V	
C1105	1-163-141-00	CERAMIC CHIP 0.001MF	5%	50V	
C1111	1-163-117-00	CERAMIC CHIP 100PF	5%	50V	
C1112	1-163-117-00	CERAMIC CHIP 100PF	5%	50V	
C1113	1-163-077-00	CERAMIC CHIP 0.1MF	10%	25V	
C1114	1-163-077-00	CERAMIC CHIP 0.1MF	10%	25V	
C1115	1-163-077-00	CERAMIC CHIP 0.1MF	10%	25V	
C1116	1-163-077-00	CERAMIC CHIP 0.1MF	10%	25V	
C1117	1-163-077-00	CERAMIC CHIP 0.1MF	10%	25V	
C1118	1-163-077-00	CERAMIC CHIP 0.1MF	10%	25V	
C1119	1-163-077-00	CERAMIC CHIP 0.1MF	10%	25V	
C1120	1-163-077-00	CERAMIC CHIP 0.1MF	10%	25V	
C1121	1-163-021-00	CERAMIC CHIP 0.01MF	10%	50V	
C1122	1-163-021-00	CERAMIC CHIP 0.01MF	10%	50V	
C1123	1-163-021-00	CERAMIC CHIP 0.01MF	10%	50V	
C1124	1-163-093-00	CERAMIC CHIP 10PF	5%	50V	
C1125	1-163-021-00	CERAMIC CHIP 0.01MF	10%	50V	
C1126	1-163-021-00	CERAMIC CHIP 0.01MF	10%	50V	
C112					

Ref.No.	Part No.	Description			
C1181	1-163-021-00	CERAMIC CHIP 0.01MF	10%	50V	
C1182	1-163-021-00	CERAMIC CHIP 0.01MF	10%	50V	
C1183	1-163-117-00	CERAMIC CHIP 100PF	5%	50V	
C1184	1-163-117-00	CERAMIC CHIP 100PF	5%	50V	
C1185	1-163-117-00	CERAMIC CHIP 100PF	5%	50V	
C1186	1-163-117-00	CERAMIC CHIP 100PF	5%	50V	
C1187	1-163-093-00	CERAMIC CHIP 10PF	5%	50V	
C1188	1-163-093-00	CERAMIC CHIP 10PF	5%	50V	
C1189	1-163-021-00	CERAMIC CHIP 0.01MF	10%	50V	
C1201	1-163-077-00	CERAMIC CHIP 0.1MF	10%	25V	
C1202	1-163-021-00	CERAMIC CHIP 0.01MF	10%	50V	
C1205	1-163-021-00	CERAMIC CHIP 0.01MF	10%	50V	
C1206	1-125-404-00	DOUBLE LAYER 0.47F		5.5V	
C1207	1-125-498-11	DOUBLE LAYER 1F		5.5V	
C1208	1-124-993-11	ELECT 2200MF	20%	10V	
C1209	1-163-021-00	CERAMIC CHIP 0.01MF	10%	50V	
C1251	1-162-638-11	CERAMIC CHIP 1MF		16V	
C1252	1-163-021-00	CERAMIC CHIP 0.01MF	10%	50V	
C1253	1-163-021-00	CERAMIC CHIP 0.01MF	10%	50V	
C1254	1-163-021-00	CERAMIC CHIP 0.01MF	10%	50V	
C1255	1-163-021-00	CERAMIC CHIP 0.01MF	10%	50V	
C1256	1-163-021-00	CERAMIC CHIP 0.01MF	10%	50V	
C1257	1-163-021-00	CERAMIC CHIP 0.01MF	10%	50V	
C1258	1-163-021-00	CERAMIC CHIP 0.01MF	10%	50V	
C1259	1-163-021-00	CERAMIC CHIP 0.01MF	10%	50V	
C1260	1-163-021-00	CERAMIC CHIP 0.01MF	10%	50V	
C1261	1-163-021-00	CERAMIC CHIP 0.01MF	10%	50V	
C1262	1-163-021-00	CERAMIC CHIP 0.01MF	10%	50V	
C1263	1-163-021-00	CERAMIC CHIP 0.01MF	10%	50V	
C1264	1-163-021-00	CERAMIC CHIP 0.01MF	10%	50V	
C1265	1-163-021-00	CERAMIC CHIP 0.01MF	10%	50V	
C1266	1-163-021-00	CERAMIC CHIP 0.01MF	10%	50V	
C1267	1-163-021-00	CERAMIC CHIP 0.01MF	10%	50V	
C1268	1-163-021-00	CERAMIC CHIP 0.01MF	10%	50V	
C1269	1-163-021-00	CERAMIC CHIP 0.01MF	10%	50V	
C1270	1-163-021-00	CERAMIC CHIP 0.01MF	10%	50V	
C1271	1-163-021-00	CERAMIC CHIP 0.01MF	10%	50V	
C1272	1-163-021-00	CERAMIC CHIP 0.01MF	10%	50V	
C1273	1-163-021-00	CERAMIC CHIP 0.01MF	10%	50V	
C1274	1-163-021-00	CERAMIC CHIP 0.01MF	10%	50V	
C1275	1-163-021-00	CERAMIC CHIP 0.01MF	10%	50V	
C1276	1-163-021-00	CERAMIC CHIP 0.01MF	10%	50V	
C1277	1-163-021-00	CERAMIC CHIP 0.01MF	10%	50V	
C1278	1-163-021-00	CERAMIC CHIP 0.01MF	10%	50V	
C1279	1-163-021-00	CERAMIC CHIP 0.01MF	10%	50V	
C1280	1-163-093-00	CERAMIC CHIP 10PF	5%	50V	
C1281	1-163-093-00	CERAMIC CHIP 10PF	5%	50V	
C1282	1-163-117-00	CERAMIC CHIP 100PF	5%	50V	
C1283	1-163-117-00	CERAMIC CHIP 100PF	5%	50V	
C1284	1-163-117-00	CERAMIC CHIP 100PF	5%	50V	
C1285	1-163-117-00	CERAMIC CHIP 100PF	5%	50V	
C1286	1-163-021-00	CERAMIC CHIP 0.01MF	10%	50V	
C1287	1-163-021-00	CERAMIC CHIP 0.01MF	10%	50V	
C1288	1-163-021-00	CERAMIC CHIP 0.01MF	10%	50V	
C1301	1-163-021-00	CERAMIC CHIP 0.01MF	10%	50V	
C1302	1-163-021-00	CERAMIC CHIP 0.01MF	10%	50V	
C1303	1-163-021-00	CERAMIC CHIP 0.01MF	10%	50V	

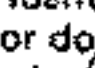
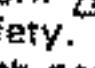
Ref.No.	Part No.	Description			
C1304	1-163-021-00	CERAMIC CHIP 0.01MF	10%	50V	
C1305	1-163-021-00	CERAMIC CHIP 0.01MF	10%	50V	
C1306	1-163-021-00	CERAMIC CHIP 0.01MF	10%	50V	
C1307	1-163-021-00	CERAMIC CHIP 0.01MF	10%	50V	
C1308	1-163-021-00	CERAMIC CHIP 0.01MF	10%	50V	
C1309	1-163-021-00	CERAMIC CHIP 0.01MF	10%	50V	
C1310	1-163-021-00	CERAMIC CHIP 0.01MF	10%	50V	
C1311	1-162-638-11	CERAMIC CHIP 1MF		16V	
C1312	1-163-021-00	CERAMIC CHIP 0.01MF	10%	50V	
C1313	1-163-021-00	CERAMIC CHIP 0.01MF	10%	50V	
C1314	1-163-021-00	CERAMIC CHIP 0.01MF	10%	50V	
C1315	1-163-021-00	CERAMIC CHIP 0.01MF	10%	50V	
C1316	1-163-021-00	CERAMIC CHIP 0.01MF	10%	50V	
C1317	1-163-093-00	CERAMIC CHIP 10PF	5%	50V	
C1318	1-163-102-00	CERAMIC CHIP 24PF	5%	50V	
C1319	1-163-021-00	CERAMIC CHIP 0.01MF	10%	50V	
C1320	1-163-021-00	CERAMIC CHIP 0.01MF	10%	50V	
C1321	1-163-021-00	CERAMIC CHIP 0.01MF	10%	50V	
C1322	1-163-105-00	CERAMIC CHIP 33PF	5%	50V	
C1323	1-162-638-11	CERAMIC CHIP 1MF		16V	
C2001	1-163-113-00	CERAMIC CHIP 68PF	5%	50V	
C2002	1-163-125-00	CERAMIC CHIP 220PF	5%	50V	
C2003	1-163-091-00	CERAMIC CHIP 8PF		50V	
C2004	1-163-021-00	CERAMIC CHIP 0.01MF	10%	50V	
C2005	1-163-021-00	CERAMIC CHIP 0.01MF	10%	50V	
C2006	1-135-100-21	TANTAL. CHIP 6.8MF	20%	6.3V	
C2007	1-163-021-00	CERAMIC CHIP 0.01MF	10%	50V	
C2008	1-163-021-00	CERAMIC CHIP 0.01MF	10%	50V	
C2009	1-163-021-00	CERAMIC CHIP 0.01MF	10%	50V	
C2010	1-163-086-00	CERAMIC CHIP 3PF		50V	
C2011	1-163-021-00	CERAMIC CHIP 0.01MF	10%	50V	
C2012	1-135-100-21	TANTAL. CHIP 6.8MF	20%	6.3V	
C2013	1-163-021-00	CERAMIC CHIP 0.01MF	10%	50V	
C2015	1-163-809-11	CERAMIC CHIP 0.047MF	10%	25V	
C2016	1-163-021-00	CERAMIC CHIP 0.01MF	10%	50V	
C2017	1-163-021-00	CERAMIC CHIP 0.01MF	10%	50V	
C2018	1-135-149-21	TANTAL. CHIP 2.2MF	10%	6.3V	
C2019	1-163-021-00	CERAMIC CHIP 0.01MF	10%	50V	
C2020	1-135-100-21	TANTAL. CHIP 6.8MF	20%	6.3V	
C2021	1-163-021-00	CERAMIC CHIP 0.01MF	10%	50V	
C2022	1-135-100-21	TANTAL. CHIP 6.8MF	20%	6.3V	
C2023	1-163-021-00	CERAMIC CHIP 0.01MF	10%	50V	
C2024	1-135-149-21	TANTAL. CHIP 2.2MF	10%	6.3V	
C2025	1-163-088-00	CERAMIC CHIP 5PF		50V	
C2026	1-135-100-21	TANTAL. CHIP 6.8MF	20%	6.3V	
C2027	1-163-021-00	CERAMIC CHIP 0.01MF	10%	50V	
C2028	1-163-113-00	CERAMIC CHIP 68PF	5%	50V	
C2029	1-163-021-00	CERAMIC CHIP 0.01MF	10%	50V	
C2030	1-124-778-00	ELECT CHIP 22MF	20%	6.3V	
C2031	1-163-021-00	CERAMIC CHIP 0.01MF	10%	50V	
C2032	1-124-778-00	ELECT CHIP 22MF	20%	6.3V	
C2033	1-163-021-00	CERAMIC CHIP 0.01MF	10%	50V	
C2034	1-135-149-21	TANTAL. CHIP 2.2MF	10%	6.3V	
C2035	1-163-021-00	CERAMIC CHIP 0.01MF	10%	50V	
C2036	1-163-077-00	CERAMIC CHIP 0.1MF	10%	25V	
C2037	1-163-021-00	CERAMIC CHIP 0.01MF	10%	50V	
C2038	1-163-021-00	CERAMIC CHIP 0.01MF	10%	50V	

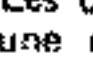
Ref.No.	Part No.	Description			
C2039	1-124-778-00	ELECT CHIP 22MF	20%	6.3V	
C2040	1-163-021-00	CERAMIC CHIP 0.01MF	10%	50V	
C2041	1-135-149-21	TANTAL. CHIP 2.2MF	10%	6.3V	
C2042	1-163-101-00	CERAMIC CHIP 22PF	5%	50V	
C2201	1-162-638-11	CERAMIC CHIP 1MF		16V	
C2301	1-135-149-21	TANTAL. CHIP 2.2MF	10%	6.3V	
C2302	1-163-021-00	CERAMIC CHIP 0.01MF	10%	50V	
C2303	1-163-021-00	CERAMIC CHIP 0.01MF	10%	50V	
C2304	1-135-149-21	TANTAL. CHIP 2.2MF	10%	6.3V	
CF1	1-567-939-11	FILTER, CERAMIC (10.7MHz)			
CF31	1-567-389-11	FILTER, CERAMIC (10.7MHz)			
CF51	1-567-946-11	FILTER, CERAMIC (455kHz SAT)			
CF401	1-567-947-11	FILTER, CERAMIC (455kHz AM)			
CF402	1-567-941-11	FILTER, CERAMIC (455kHz SPEAK)			
CF403	1-567-943-11	FILTER, CERAMIC (455kHz AM(W))			
CF404	1-567-945-11	FILTER, CERAMIC (455kHz AM(N))			
CF406	1-567-944-11	FILTER, CERAMIC (455kHz NFM)			
CF407	1-567-942-11	FILTER, CERAMIC (455kHz FAX)			
CF408	1-567-944-11	FILTER, CERAMIC (455kHz)			
CF409	1-567-940-11	FILTER, CERAMIC (10.7MHz BLUE)			
CF410	1-577-218-11	FILTER, CERAMIC(DISCRIMINATOR)(NFM DET)			
CF411	1-567-939-11	FILTER, CERAMIC (10.7MHz)			
CF412	1-567-939-11	FILTER, CERAMIC (10.7MHz)			
CF413	1-567-940-11	FILTER, CERAMIC (10.7MHz BLUE)			
CN1	*1-506-467-11	PIN, CONNECTOR 2P			
CN2	*1-506-467-11	PIN, CONNECTOR 2P			
CN3	*1-506-467-11	PIN, CONNECTOR 2P			
CN301	*1-506-468-11	PIN, CONNECTOR 3P			
CN303	*1-506-467-11	PIN, CONNECTOR 2P			
CN304	*1-506-467-11	PIN, CONNECTOR 2P			
CN601	*1-506-470-11	PIN, CONNECTOR 5P			
CN602	*1-506-470-11	PIN, CONNECTOR 5P			
CN604	*1-506-475-11	PIN, CONNECTOR 10P			
CN605	*1-506-475-11	PIN, CONNECTOR 10P			
CN608	*1-506-467-11	PIN, CONNECTOR 2P			
CN609	*1-506-467-11	PIN, CONNECTOR 2P			
CN610	*1-506-467-11	PIN, CONNECTOR 2P			
CN611	*1-506-469-11	PIN, CONNECTOR 4P			
CN701	*1-564-419-11	HEADER, SPRING (POWER) 2P			
CN702	*1-506-475-11	PIN, CONNECTOR 10P			
CN703	*1-564-419-11	HEADER, SPRING (POWER) 2P			
CN704	*1-506-475-11	PIN, CONNECTOR 10P			
CN705	*1-564-419-11	HEADER, SPRING (POWER) 2P			
CN706	*1-564-419-11	HEADER, SPRING (POWER) 2P			
CN707	*1-506-469-11	PIN, CONNECTOR 4P			
CN801	*1-506-467-11	PIN, CONNECTOR 2P			
CN802	*1-506-467-11	PIN, CONNECTOR 2P			
CN803	*1-506-467-11	PIN, CONNECTOR 2P			
CN1001*	*1-506-475-11	PIN, CONNECTOR 10P			
CN1002*	*1-506-475-11	PIN, CONNECTOR 10P			
CN1003*	*1-506-475-11	PIN, CONNECTOR 10P			
CN1004*	*1-506-475-11	PIN, CONNECTOR 10P			
CN1005*	*1-564-419-11	HEADER, SPRING (POWER) 2P			
CN1006*	*1-506-469-11	PIN, CONNECTOR 4P			
CN1007*	*1-506-468-11	PIN, CONNECTOR 3P			
CN1008*	*1-506-480-11	PIN, CONNECTOR 15P			
CN1009*	*1-506-470-11	PIN, CONNECTOR 5P			

Ref.No.	Part No.	Description
CN1051	1-526-659-00	SOCKET, IC (DP) 28P
CN1052	1-526-659-00	SOCKET, IC (DP) 28P
CN1101*	*1-562-882-11	SOCKET, CONNECTOR 12P
CN1151*	*1-506-475-11	PIN, CONNECTOR 10P
CN1152	1-566-866-11	SOCKET, CONNECTOR BP (RS232C)
CN1201*	*1-506-468-11	PIN, CONNECTOR 3P
CN1202*	*1-506-475-11	PIN, CONNECTOR 10P
CN1203	1-566-948-11	SOCKET, CONNECTOR 32P
CN1204*	*1-506-467-11	PIN, CONNECTOR 2P
CN1205*	*1-564-419-11	HEADER, SPRING (POWER) 2P
CN1301*	*1-506-470-11	PIN, CONNECTOR 5P
CN1302*	*1-506-480-11	PIN, CONNECTOR 15P
CN1303	1-566-532-11	CONNECTOR, FPC (ZIF) 16P
CN1304	1-566-532-11	CONNECTOR, FPC (ZIF) 16P
CN1305	1-566-532-11	CONNECTOR, FPC (ZIF) 16P
CN1351	1-535-686-11	CONDUCTOR BOARD, CONNECTION
CN1352	1-535-686-11	CONDUCTOR BOARD, CONNECTION
CN1401	1-566-532-11	CONNECTOR, FPC (ZIF) 16P
CN1501	1-566-532-11	CONNECTOR, FPC (ZIF) 16P
CN1502	1-566-532-11	CONNECTOR, FPC (ZIF) 16P
CN2201*	*1-506-467-11	PIN, CONNECTOR 2P
CT31	1-141-347-11	CAP, VAR, TRIMMER (CHIP)
CT501	1-141-331-11	CAP, VAR, TRIMMER (CHIP)
CT821	1-141-347-11	CAP, VAR, TRIMMER (CHIP)
CT851	1-141-347-11	CAP, VAR, TRIMMER (CHIP)
CT1001	1-141-311-11	CAP, VAR, TRIMMER (CHIP) 20P
CT1301	1-141-311-11	CAP, VAR, TRIMMER (CHIP) 20P
D1	8-719-123-85	DIODE 1SS304
D2	8-719-123-85	DIODE 1SS304
D3	8	

Ref.No.	Part No.	Description
D212	8-719-941-25	DIODE HSM2693
D213	8-719-941-25	DIODE HSM2693
D214	8-719-941-25	DIODE HSM2693
D215	8-719-941-25	DIODE HSM2693
D216	8-719-941-25	DIODE HSM2693
D217	8-719-941-25	DIODE HSM2693
D218	8-719-941-25	DIODE HSM2693
D219	8-719-941-25	DIODE HSM2693
D220	8-719-941-25	DIODE HSM2693
D221	8-719-941-25	DIODE HSM2693
D301	8-719-123-85	DIODE 1SS304
D302	8-719-123-85	DIODE 1SS304
D303	8-719-123-85	DIODE 1SS304
D304	8-719-123-85	DIODE 1SS304
D305	8-719-123-85	DIODE 1SS304
D306	8-719-123-85	DIODE 1SS304
D401	8-719-911-19	DIODE 1SS119
D402	8-719-911-19	DIODE 1SS119
D404	8-719-938-72	DIODE SB01-05CP
D405	8-719-941-25	DIODE HSM2693
D406	8-719-941-25	DIODE HSM2693
D501	8-719-123-85	DIODE 1SS304
D502	8-719-123-85	DIODE 1SS304
D503	8-713-300-00	DIODE 1T33
D601	8-719-123-85	DIODE 1SS304
D602	8-719-123-85	DIODE 1SS304
D603	8-719-123-85	DIODE 1SS304
D604	8-719-123-85	DIODE 1SS304
D605	8-719-123-85	DIODE 1SS304
D606	8-719-123-85	DIODE 1SS304
D607	8-719-903-27	(TYPE-1)...DIODE 1SS168
D607	8-719-123-85	(TYPE-2)...DIODE 1SS304
D705	8-719-123-85	DIODE 1SS304
D706	8-719-123-85	DIODE 1SS304
D801	8-713-300-00	DIODE 1T33
D802	8-719-123-85	DIODE 1SS304
D821	8-713-300-00	DIODE 1T33
D822	8-713-300-00	DIODE 1T33
D823	8-719-123-85	DIODE 1SS304
D824	8-719-123-85	DIODE 1SS304
D825	8-713-300-00	DIODE 1T33
D851	8-713-300-00	DIODE 1T33
D852	8-719-123-85	DIODE 1SS304
D901	8-713-300-00	DIODE 1T33
D902	8-719-123-85	DIODE 1SS304
D951	8-719-123-85	DIODE 1SS304
D952	8-719-107-15	DIODE R018M-82
D1001	8-719-123-85	DIODE 1SS304
D1002	8-719-123-85	DIODE 1SS304
D1003	8-719-938-72	DIODE SB01-05CP
D1004	8-719-938-72	DIODE SB01-05CP
D1005	8-719-938-72	DIODE SB01-05CP
D1006	8-719-938-72	DIODE SB01-05CP
D1007	8-719-938-72	DIODE SB01-05CP
D1008	8-719-938-72	DIODE SB01-05CP

Ref.No.	Part No.	Description
D1009	8-719-981-00	DIODE ERC81-004
D1201	8-719-123-85	DIODE 1SS304
D1202	8-719-123-85	DIODE 1SS304
D1203	8-719-123-85	DIODE 1SS304
D1204	8-719-123-85	DIODE 1SS304
D1205	8-719-908-06	DIODE ERA81-005
D1206	8-719-981-00	DIODE ERC81-004
D1301	8-719-123-85	DIODE 1SS304
D1302	8-719-123-85	DIODE 1SS304
D1303	8-719-123-85	DIODE 1SS304
D1304	8-719-123-85	DIODE 1SS304
D1305	8-719-123-85	DIODE 1SS304
D1306	8-719-123-85	DIODE 1SS304
D1307	8-719-123-85	DIODE 1SS304
D1308	8-719-123-85	DIODE 1SS304
D1309	8-719-123-85	DIODE 1SS304
D1310	8-719-123-85	DIODE 1SS304
D1311	8-719-123-85	DIODE 1SS304
D1312	8-719-123-85	DIODE 1SS304
D1313	8-719-123-85	DIODE 1SS304
D1314	8-719-123-85	DIODE 1SS304
D1315	8-719-123-85	DIODE 1SS304
D1316	8-719-123-85	DIODE 1SS304
D1317	8-719-123-85	DIODE 1SS304
D1351	8-719-903-40	DIODE BG22225-81
D1352	8-719-939-34	DIODE GL3PG8
D1501	8-719-800-54	DIODE TLUR122 (RS232C)
D1502	8-719-800-54	DIODE TLUR122 (LOCK)
D1601	8-719-812-41	DIODE GL3PR8 (PAPER EMPTY)
D2001	8-719-123-85	DIODE 1SS304
D2002	8-719-123-85	DIODE 1SS304
D2003	8-719-123-85	DIODE 1SS304
D2004	8-719-123-85	DIODE 1SS304
D2005	8-719-941-25	DIODE HSM2693
D2006	8-719-941-25	DIODE HSM2693
D2008	8-719-123-85	DIODE 1SS304
D2009	8-719-123-85	DIODE 1SS304
D2010	8-719-938-72	DIODE SB01-05CP
D2011	8-719-938-72	DIODE SB01-05CP
D2012	8-719-938-72	DIODE SB01-05CP
D2013	8-719-938-72	DIODE SB01-05CP
D2014	8-719-974-74	DIODE GL1EG51
D2015	8-719-123-85	DIODE 1SS304
D2016	8-719-123-85	DIODE 1SS304
F701	△-1-532-858-11	FUSE, GLASS TUBE, 2.5A 125V
FL2	1-424-153-11	FILTER, NOISE
FL3	1-424-153-11	FILTER, NOISE
FL4	1-421-773-11	FILTER, NOISE REMOVAL
FL5	1-424-153-11	FILTER, NOISE
FL701	1-421-773-11	FILTER, NOISE REMOVAL
FL1001	1-421-537-00	TRANSFORMER, LINE FILTER
FL1002	1-421-773-11	FILTER, NOISE REMOVAL
FL1201	1-421-537-00	TRANSFORMER, LINE FILTER
FL1202	1-421-773-11	FILTER, NOISE REMOVAL
FL2001	1-235-254-00	FILTER, BAND PASS

**Note:**  
The components identified by mark  or dotted line with mark  are critical for safety. Replace only with part number specified.

**Note:**  
Les composants identifiés par une marque  sont critiques pour la sécurité. Ne les remplacer que par une pièce portant le numéro spécifié.

Ref.No.	Part No.	Description
IC51	8-759-013-22	IC LM358M
IC52	8-759-013-22	IC LM358M
IC53	8-759-111-69	IC UPC1037HA
IC54	8-759-013-22	IC LM358M
IC81	8-759-209-15	IC TC4SU69F
IC82	8-759-209-15	IC TC4SU69F
IC301	8-759-107-67	IC UPC1651G
IC401	8-759-011-63	IC MC74HC4051F
IC402	8-759-011-63	IC MC74HC4051F
IC403	8-759-801-14	IC LA1205
IC405	8-759-011-63	IC MC74HC4051F
IC406	8-752-030-96	IC CXA1003AM
IC501	8-759-204-94	IC TC74HC00F
IC502	8-759-918-74	IC CX-857
IC503	8-759-013-22	IC LM358M
IC504	8-759-111-69	IC UPC1037HA
IC505	8-759-200-82	IC TC4069UBF
IC506	8-759-200-82	IC TC4069UBF
IC507	8-759-100-93	IC UPC393G2
IC601	8-759-013-22	IC LM358M
IC602	8-759-013-22	IC LM358M
IC603	8-759-011-65	IC MC74HC4053F
IC604	8-759-011-65	IC MC74HC4053F
IC605	8-759-013-22	IC LM358M
IC606	8-759-802-46	IC LA4550
IC607	8-759-204-94	IC TC74HC00F
IC608	8-759-011-65	IC MC74HC4053F
IC609	8-759-013-22	IC LM358M
IC610	8-759-013-22	IC LM358M
IC611	8-759-013-22	IC LM358M
IC702	8-759-630-27	IC MS236ML
IC703	8-759-200-82	IC TC4069UBF
IC704	8-759-304-35	IC HG61H04B13F
IC705	8-759-925-72	IC SN74HC02NS
IC706	8-759-200-82	IC TC4069UBF
IC707	8-759-204-94	IC TC74HC00F
IC801	8-752-323-84	IC CXD1118M
IC802	8-752-323-84	IC CXD1118M
IC803	8-752-323-84	IC CXD1118M
IC804	8-752-323-84	IC CXD1118M
IC805	8-759-801-15	IC LA5003M
IC806	8-759-801-15	IC LA5003M
IC807	8-759-209-15	IC TC4SU69F
IC808	8-759-209-15	IC TC4SU69F
IC1001	8-752-331-00	IC CXK58648M-12L
IC1002	8-759-925-49	IC SN74HC245NS
IC1003	X-3900-706-1	IC HN27C64G-20 (EP ROM)
IC1004	8-759-205-09	IC TC74HC138F
IC1005	8-752-331-00	IC CXK58648M-12L
IC1006	8-752-331-00	IC CXK58648M-12L
IC1007	8-759-925-72	IC SN74HC02NS
IC1008	8-759-305-28	IC H074HC4040FP
IC1009	8-759-204-98	IC TC74HC08F
IC1010	8-752-331-00	IC CXK58648M-12L
IC1011	8-752-331-00	IC CXK58648M-12L
IC1012	8-759-940-45	IC S-8054HN-CB-S
IC1013	8-759-205-09	IC TC74HC138F

Ref.No.	Part No.	Description
IC1014	X-3900-707-1	(EXCEPT US)... IC M8M27C512-25 (EP ROM)
IC1015	8-759-938-65	IC SC176600A
IC1016	8-759-013-13	IC MC145406F
IC1017	8-759-209-19	IC TC3509AP
IC1018	8-759-009-02	IC MC14046BF
IC1019	8-759-209-15	IC TC4SU69F
IC1020	8-759-209-15	IC TC4SU69F
IC1021	8-759-925-72	IC SN74HC02NS
IC1022	8-759-605-08	IC MS1955BFP
IC1023	8-759-605-08	IC MS1955BFP
IC1024	8-759-939-41	IC S-81230AG-RB-S
IC1025	8-759-630-27	IC MS236ML
IC1101	8-759-304-37	IC HD63B03XF
IC1102	8-759-304-36	IC HG61H20B20F
IC1103	8-759-920-40	IC MSM6255GS-K
IC1104	8-759-304-37	IC HD63B03XF
IC1201	8-759-605-07	IC MS4975P
IC1202	8-759-605-07	IC MS4975P
IC1203	8-759-605-07	IC MS4975P
IC1204	8-759-209-15	IC TC4SU69F
IC1205	8-759-630-27	IC MS236ML
IC1301	8-759-926-42	IC SN74HC238NS
IC1302	8-759-926-42	IC SN74HC238NS
IC1303	8-759-925-72	IC SN74HC02NS
IC1304	8-759-209-15	IC TC4SU69F
IC1305	8-759-926-14	IC SN74HC148NS
IC1306	8-759-143-45	IC UPD75036-A7B-12
IC1307	8-759-209-15	IC TC4SU69F
IC2001	8-759-013-22	IC LM358M
IC2201	8-759-630-27	IC MS236ML
IFT51	1-404-127-00	IFT (SMALL TYPE)(455kHz)
IFT81	1-404-191-00	TRANSFORMER, IF
IFT401	1-404-191-00	TRANSFORMER, IF
IFT402	1-404-131-00	TRANSFORMER, DISCRI (FM DET)
IFT403	1-404-130-00	TRANSFORMER, DISCRI (FM DET)
IFT404	1-404-127-00	IFT (SMALL TYPE)(455kHz)
IFT405	1-404-127-00	IFT (SMALL TYPE)(455kHz)
IFT501	1-404-191-00	TRANSFORMER, IF
J1	1-562-261-21	CONNECTOR, COAXIAL (BNC)(SATELLITE)
J101	1-562-261-21	CONNECTOR, COAXIAL (BNC) (ANTENNA FM/LW/MW/SW)
J102	1-507-921-00	JACK (POWER SUPPLY AN-P1200)
J103	1-507-921-00	JACK (POWER SUPPLY AN-V21)
J601	1-562-837-21	JACK (EARPHONE)
J602	1-562-981-21	JACK (EXT SP)
J603	1-507-967-31	JACK (REC OUT)
J604	1-507-967-31	JACK (P.B. IN)
J701	1-562-981-21	JACK (REMOTE)
J702	1-562-981-21	JACK (AM RF MUTE)
J2001	*1-563-956-21	SOCKET, CONNECTOR
J2201	1-507-933-11	JACK
J2301	1-574-308-11	CABLE (WITH CONNECTOR)
J2302	1-574-307-11	CORD (WITH PLUG)
J2303	1-574-306-11	CABLE (WITH CONNECTOR)
L1	1-410-196-11	INDUCTOR CHIP 2.2UH
L2	1-407-856-00	COIL, CHOKE
L3	1-459-571-11	COIL (WITH CORE)(SAT RF)

Ref.No.	Part No.	Description
L4	1-407-856-00	COIL, CHOKE
L5	1-410-204-31	INDUCTOR CHIP 10UH
L6	1-410-191-51	INDUCTOR CHIP 0.82UH
L7	1-410-191-51	INDUCTOR CHIP 0.82UH
L8	1-410-196-11	INDUCTOR CHIP 2.2UH
L9	1-407-856-00	COIL, CHOKE
L10	1-407-856-00	COIL, CHOKE
L11	1-410-186-51	INDUCTOR CHIP 0.33UH
L12	1-410-186-51	INDUCTOR CHIP 0.33UH
L13	1-410-186-51	INDUCTOR CHIP 0.33UH
L14	1-410-186-51	INDUCTOR CHIP 0.33UH
L15	1-410-186-51	INDUCTOR CHIP 0.33UH
L31	1-459-571-11	COIL (WITH CORE) (FM RF)
L32	1-410-192-51	INDUCTOR CHIP 1UH
L33	1-410-192-51	INDUCTOR CHIP 1UH
L51	1-410-216-31	INDUCTOR CHIP 100UH
L201	1-410-946-31	INDUCTOR CHIP 22UH
L202	1-410-945-41	INDUCTOR CHIP 18UH
L203	1-410-203-51	INDUCTOR CHIP 8.2UH
L204	1-410-203-51	INDUCTOR CHIP 8.2UH
L205	1-410-212-51	INDUCTOR CHIP 47UH
L206	1-410-203-51	INDUCTOR CHIP 8.2UH
L207	1-410-200-31	INDUCTOR CHIP 4.7UH
L208	1-410-944-31	INDUCTOR CHIP 15UH
L209	1-410-943-31	INDUCTOR CHIP 12UH
L210	1-410-199-51	INDUCTOR CHIP 3.9UH
L211	1-410-199-51	INDUCTOR CHIP 3.9UH
L212	1-410-947-31	INDUCTOR CHIP 33UH
L213	1-410-199-51	INDUCTOR CHIP 3.9UH
L214	1-410-196-11	INDUCTOR CHIP 2.2UH
L215	1-410-203-51	INDUCTOR CHIP 8.2UH
L216	1-410-201-51	INDUCTOR CHIP 5.6UH
L217	1-410-195-51	INDUCTOR CHIP 1.8UH
L218	1-410-196-11	INDUCTOR CHIP 2.2UH
L219	1-410-944-31	INDUCTOR CHIP 15UH
L220	1-410-196-11	INDUCTOR CHIP 2.2UH
L221	1-410-193-41	INDUCTOR CHIP 1.2UH
L222	1-410-200-31	INDUCTOR CHIP 4.7UH
L223	1-410-196-11	INDUCTOR CHIP 2.2UH
L224	1-410-192-51	INDUCTOR CHIP 1UH
L225	1-410-192-51	INDUCTOR CHIP 1UH
L226	1-410-203-51	INDUCTOR CHIP 8.2UH
L227	1-410-191-51	INDUCTOR CHIP 0.82UH
L228	1-410-189-41	INDUCTOR CHIP 0.56UH
L229	1-410-197-11	INDUCTOR CHIP 2.7UH
L230	1-410-193-41	INDUCTOR CHIP 1.2UH
L231	1-410-189-41	INDUCTOR CHIP 0.56UH
L232	1-410-188-51	INDUCTOR CHIP 0.47UH
L233	1-410-199-51	INDUCTOR CHIP 3.9UH
L234	1-410-187-41	INDUCTOR CHIP 0.39UH
L235	1-410-186-51	INDUCTOR CHIP 0.33UH
L236	1-410-192-51	INDUCTOR CHIP 1UH
L237	1-410-190-51	INDUCTOR CHIP 0.68UH
L238	1-410-184-51	INDUCTOR CHIP 0.22UH
L239	1-410-184-51	INDUCTOR CHIP 0.22UH
L240	1-410-195-51	INDUCTOR CHIP 1.8UH
L241	1-410-184-51	INDUCTOR CHIP 0.22UH

Ref.No.	Part No.	Description
L242	1-410-182-51	INDUCTOR CHIP 0.15UH
L243	1-410-189-41	INDUCTOR CHIP 0.56UH
L244	1-410-185-51	INDUCTOR CHIP 0.27UH
L245	1-410-186-51	INDUCTOR CHIP 0.33UH
L246	1-410-186-51	INDUCTOR CHIP 0.33UH
L247	1-410-186-51	INDUCTOR CHIP 0.33UH
L248	1-410-199-51	INDUCTOR CHIP 3.9UH
L249	1-410-945-41	INDUCTOR CHIP 18UH
L250	1-410-186-51	INDUCTOR CHIP 0.33UH
L301	1-410-946-31	INDUCTOR CHIP 22UH
L303	1-410-946-31	INDUCTOR CHIP 22UH
L304	1-426-158-00	COIL (RF) (1ST IF 55.845MHz)
L305	1-426-158-00	COIL (RF) (1ST IF 55.845MHz)
L306	1-410-185-51	INDUCTOR CHIP 0.27UH
L307	1-410-204-31	INDUCTOR CHIP 10UH
L308	1-410-204-31	INDUCTOR CHIP 10UH
L309	1-410-186-51	INDUCTOR CHIP 0.33UH
L310	1-410-186-51	INDUCTOR CHIP 0.33UH
L311	1-410-186-51	INDUCTOR CHIP 0.33UH
L312	1-410-186-51	INDUCTOR CHIP 0.33UH
L313	1-410-180-41	INDUCTOR CHIP 0.1UH
L314	1-410-180-41	INDUCTOR CHIP 0.1UH
L315	1-410-204-31	INDUCTOR CHIP 10UH
L316	1-410-204-31	INDUCTOR CHIP 10UH
L317	1-410-204-31	INDUCTOR CHIP 10UH
L401	1-410-216-31	INDUCTOR CHIP 100UH
L501	1-410-216-31	INDUCTOR CHIP 100UH
L502	1-410-216-31	INDUCTOR CHIP 100UH
L503	1-410-216-31	INDUCTOR CHIP 100UH
L504	1-410-216-31	INDUCTOR CHIP 100UH
L601	1-410-204-31	INDUCTOR CHIP 10UH
L602	1-410-204-31	INDUCTOR CHIP 10UH
L603	1-410-204-31	INDUCTOR CHIP 10UH
L604	1-410-204-31	INDUCTOR CHIP 10UH
L605	1-410-204-31	INDUCTOR CHIP 10UH
L606	1-410-204-31	INDUCTOR CHIP 10UH
L607	1-421-635-00	COIL, CHOKE
L608	1-421-635-00	COIL, CHOKE
L609	1-421-635-00	COIL, CHOKE
L610	1-421-635-00	COIL, CHOKE
L611	1-421-635-00	COIL, CHOKE
L612	1-410-204-31	INDUCTOR CHIP 10UH
L613	1-410-204-31	INDUCTOR CHIP 10UH
L701	1-410-216-31	INDUCTOR CHIP 100UH
L702	1-410-216-31	INDUCTOR CHIP 100UH
L703	1-407-856-00	COIL, CHOKE 2MMH
L704	1-410-204-31	INDUCTOR CHIP 10UH
L705	1-410-204-31	INDUCTOR CHIP 10UH
L801	1-459-791-11	COIL (WITH CORE) (2ND LOCAL OSC)
L802	1-410-204-31	INDUCTOR CHIP 10UH
L803	1-410-204-31	INDUCTOR CHIP 10UH
L804	1-410-204-31	INDUCTOR CHIP 10UH
L805	1-410-186-51	INDUCTOR CHIP 0.33UH
L806	1-410-186-51	INDUCTOR CHIP 0.33UH
L821	1-406-314-11	COIL (OSC) (1ST LOCAL OSC)
L822	1-459-791-11	COIL (WITH CORE) (FM LOCAL OSC)
L823	1-459-922-11	COIL (WITH CORE) (1ST LOCAL OSC)

Ref.No.	Part No.	Description
L824	1-410-204-31	INDUCTOR CHIP 10UH
L825	1-410-204-31	INDUCTOR CHIP 10UH
L826	1-410-204-31	INDUCTOR CHIP 10UH
L827	1-410-204-31	INDUCTOR CHIP 10UH
L828	1-410-204-31	INDUCTOR CHIP 10UH
L851	1-410-204-31	INDUCTOR CHIP 10UH
L852	1-410-216-31	INDUCTOR CHIP 100UH
L853	1-410-943-31	INDUCTOR CHIP 12UH
L901	1-406-320-11	COIL (OSC) (VCO OSC)
L902	1-410-216-31	INDUCTOR CHIP 100UH
L903	1-410-943-31	INDUCTOR CHIP 12UH
L904	1-410-204-31	INDUCTOR CHIP 10UH
L905	1-410-216-31	INDUCTOR CHIP 100UH
L906	1-410-204-31	INDUCTOR CHIP 10UH
L951	1-410-220-31	INDUCTOR CHIP 220UH
L952	1-410-220-31	INDUCTOR CHIP 220UH
L953	1-407-856-00	COIL, CHOKE
L954	1-407-856-00	COIL, CHOKE
L1001	1-410-192-51	INDUCTOR CHIP 1UH
L1002	1-410-192-51	INDUCTOR CHIP 1UH
L1003	1-410-192-51	INDUCTOR CHIP 1UH
L1004	1-410-192-51	INDUCTOR CHIP 1UH
L1005	1-421-635-00	COIL, CHOKE 22UH
L1006	1-421-635-00	COIL, CHOKE 22UH
L1007	1-410-192-51	INDUCTOR CHIP 1UH
L1008	1-410-192-51	INDUCTOR CHIP 1UH
L1009	1-410-192-51	INDUCTOR CHIP 1UH
L1010	1-421-635-00	COIL, CHOKE 22UH
L1011	1-421-635-00	COIL, CHOKE 22UH
L1012	1-421-635-00	COIL, CHOKE 22UH
L1013	1-421-635-00	COIL, CHOKE 22UH
L1014	1-407-856-00	COIL, CHOKE 2MMH
L1015	1-410-192-51	INDUCTOR CHIP 1UH
L1016	1-410-192-51	INDUCTOR CHIP 1UH
L1101	1-410-192-51	INDUCTOR CHIP 1UH
L1102	1-410-192-51	INDUCTOR CHIP 1UH
L1103	1-410-192-51	INDUCTOR CHIP 1UH
L1104	1-410-192-51	INDUCTOR CHIP 1UH
L1105	1-410-192-51	INDUCTOR CHIP 1UH
L1106	1-410-192-51	INDUCTOR CHIP 1UH
L1107	1-410-192-51	INDUCTOR CHIP 1UH
L1108	1-410-192-51	INDUCTOR CHIP 1UH
L1109	1-410-192-51	INDUCTOR CHIP 1UH
L1110	1-410-192-51	INDUCTOR CHIP 1UH
L1111	1-410-192-51	INDUCTOR CHIP 1UH
L1112	1-410-192-51	INDUCTOR CHIP 1UH
L1113	1-410-192-51	INDUCTOR CHIP 1UH
L1114	1-410-192-51	INDUCTOR CHIP 1UH
L1115	1-410-192-51	INDUCTOR CHIP 1UH
L1116	1-410-192-51	INDUCTOR CHIP 1UH
L1117	1-410-192-51	INDUCTOR CHIP 1UH
L1118	1-410-192-51	INDUCTOR CHIP 1UH
L1119	1-410-192-51	INDUCTOR CHIP 1UH
L1120	1-410-192-51	INDUCTOR CHIP 1UH
L1121	1-410-192-51	INDUCTOR CHIP 1UH
L1122	1-410-192-51	INDUCTOR CHIP 1UH
L1123	1-410-192-51	INDUCTOR CHIP 1UH

Ref.No.	Part No.	Description
L1124	1-410-192-51	INDUCTOR CHIP 1UH
L1125	1-410-192-51	INDUCTOR CHIP 1UH
L1126	1-410-192-51	INDUCTOR CHIP 1UH
L1201	1-410-192-51	INDUCTOR CHIP 1UH
L2001	1-410-214-31	INDUCTOR CHIP 68UH
L2002	1-410-188-51	INDUCTOR CHIP 0.47UH
L2003	1-410-199-51	INDUCTOR CHIP 3.9UH
L2004	1-410-946-31	INDUCTOR CHIP 22UH
L2006	1-410-216-31	INDUCTOR CHIP 100UH
L2008	1-410-196-11	INDUCTOR CHIP 2.2UH
L2009	1-407-856-00	COIL, CHOKE
L2010	1-410-196-11	INDUCTOR CHIP 2.2UH
L2011	1-407-856-00	COIL, CHOKE
L2301	1-410-502-11	INDUCTOR 2.7UH
LUI001	1-808-096-11	DISPLAY PANEL, LIQUID CRYSTAL
LUI301	1-808-099-11	DISPLAY PANEL, LIQUID CRYSTAL
P2201	1-574-196-11	CORD (WITH PLUG)
PH1201	8-719-941-47	GP2S05
PL2201	1-518-640-21	LAMP, PILOT
PL2202	1-518-640-21	LAMP, PILOT
PSH501	1-464-407-11	CIRCUIT UNIT, 2CH AMPLIFIER
PUI001	1-550-344-11	PRINTER, THERMAL
Q8	8-729-304-13	TRANSISTOR 2SK360D
Q5	8-729-102-07	TRANSISTOR 2SC2223-F13
Q6	8-729-801-08	TRANSISTOR 2SC2813Q3
Q7	8-729-800-68	TRANSISTOR 2SB815
Q8	8-729-800-68	TRANSISTOR 2SB815
Q9	8-729-602-21	TRANSISTOR 2SC4154-F
Q11	8-729-800-68	TRANSISTOR 2SB815
Q12	8-729-602-21	TRANSISTOR 2SC4154-F
Q13	8-729-800-68	TRANSISTOR 2SB815
Q14	8-729-900-88	(TYPE-1)...TRANSISTOR DTC124XS
Q14	8-729-901-02	(TYPE-2)...TRANSISTOR DTC124XK
Q31	8-729-602-21	TRANSISTOR 2SC4154-F
Q32	8-729-123-86	TRANSISTOR 2SK238-K16
Q33	8-729-102-07	TRANSISTOR 2SC2223-F13
Q34	8-729-801-08	TRANSISTOR 2SC2813Q3
Q35	8-729-602-21	(TYPE-1)...TRANSISTOR 2SC4154-F
Q35	8-729-800-68	(TYPE-2)...TRANSISTOR 2SB815
Q36	8-729-900-36	(TYPE-1)...TRANSISTOR DTC124ES
Q36	8-729-901-02	(TYPE-2)...TRANSISTOR DTC124XK
Q51	8-729-801-08	TRANSISTOR 2SC2813Q3
Q201	8-729-602-21	TRANSISTOR 2SC4154-F
Q202	8-729-602-21	TRANSISTOR 2SC4154-F
Q203	8-729-602-21	TRANSISTOR 2SC4154-F
Q204	8-729-602-21	TRANSISTOR 2SC4154-F
Q205	8-729-602-21	TRANSISTOR 2SC4154-F
Q206	8-729-602-21	TRANSISTOR 2SC4154-F
Q207	8-729-602-21	TRANSISTOR 2SC4154-F
Q208	8-729-800-68	TRANSISTOR 2SB815
Q209	8-729-800-68	TRANSISTOR 2SB815
Q210	8-729-800-68	TRANSISTOR 2SB815
Q211	8-729-800-68	TRANSISTOR 2SB815

Ref.No.	Part No.	Description
Q212	8-729-800-68	TRANSISTOR 2SB815
Q213	8-729-800-68	TRANSISTOR 2SB815
Q214	8-729-800-68	TRANSISTOR 2SB815
Q215	8-729-602-21	TRANSISTOR 2SC4154-F
Q216	8-729-602-21	TRANSISTOR 2SC4154-F
Q217	8-729-602-21	TRANSISTOR 2SC4154-F
Q301	8-729-602-80	TRANSISTOR 2SK613-4-1
Q302	8-729-602-80	TRANSISTOR 2SK613-4-1
Q303	8-729-602-80	TRANSISTOR 2SK613-4-1
Q304	8-729-602-80	TRANSISTOR 2SK613-4-1
Q305	8-729-602-80	TRANSISTOR 2SK613-4-1
Q306	8-729-602-80	TRANSISTOR 2SK613-4-1
Q307	8-729-123-86	TRANSISTOR 2SK238-K16
Q308	8-769-401-68	TRANSISTOR 2SK613-3
Q309	8-729-602-21	TRANSISTOR 2SC4154-F
Q310	8-729-602-21	TRANSISTOR 2SC4154-F
Q401	8-729-801-08	TRANSISTOR 2SC2813Q3
Q402	8-729-800-68	TRANSISTOR 2SB815
Q403	8-729-800-68	TRANSISTOR 2SB815
Q404	8-729-800-68	TRANSISTOR 2SB815
Q405	8-729-800-68	TRANSISTOR 2SB815
Q407	8-729-801-08	TRANSISTOR 2SC2813Q3
Q408	8-729-800-68	TRANSISTOR 2SB815
Q409	8-729-801-08	TRANSISTOR 2SC2813Q3
Q410	8-729-801-08	TRANSISTOR 2SC2813Q3
Q411	8-729-800-68	TRANSISTOR 2SB815
Q412	8-729-800-68	TRANSISTOR 2SB815
Q413	8-729-901-02	TRANSISTOR DTC124XK
Q414	8-729-602-21	TRANSISTOR 2SC4154-F
Q415	8-729-901-02	TRANSISTOR DTC124XK
Q416	8-729-901-02	TRANSISTOR DTC124XK
Q501	8-729-800-68	TRANSISTOR 2SB815
Q502	8-729-800-68	TRANSISTOR 2SB815
Q503	8-729-602-21	TRANSISTOR 2SC4154-F
Q504	8-729-602-21	TRANSISTOR 2SC4154-F
Q505	8-729-800-68	TRANSISTOR 2SB815
Q506	8-729-801-08	TRANSISTOR 2SC2813Q3
Q507	8-729-602-21	TRANSISTOR 2SC4154-F
Q508	8-729-800-36	TRANSISTOR 2SD1048
Q602	8-729-800-36	TRANSISTOR 2SD1048
Q701	8-729-112-61	TRANSISTOR 2SA1441
Q702	8-729-901-02	TRANSISTOR DTC124XK
Q703	8-729-112-61	TRANSISTOR 2SA1441
Q704	8-729-800-68	TRANSISTOR 2SB815
Q705	8-729-800-36	TRANSISTOR 2SD1048
Q706	8-729-800-68	TRANSISTOR 2SB815
Q801	8-729-102-07	TRANSISTOR 2SC2223-F13
Q802	8-729-208-47	TRANSISTOR 2SK210GR
Q803	8-729-109-42	TRANSISTOR 2SK94-X2
Q804	8-729-602-21	TRANSISTOR 2SC4154-F
Q805	8-729-109-42	TRANSISTOR 2SK94-X2
Q821	8-729-102-07	TRANSISTOR 2SC2223-F13
Q822	8-729-208-47	TRANSISTOR 2SK210GR
Q823	8-729-102-07	TRANSISTOR 2SC2223-F13
Q824	8-729-208-47	TRANSISTOR 2SK210GR
Q825	8-729-800-68	TRANSISTOR 2SB815
Q826	8-729-800-68	TRANSISTOR 2SB815

Ref.No.	Part No.	Description
Q827	8-729-109-42	TRANSISTOR 2SK94-X2
Q828	8-729-602-21	TRANSISTOR 2SC4154-F
Q829	8-729-109-42	TRANSISTOR 2SK94-X2
Q830	8-729-602-21	TRANSISTOR 2SC4154-F
Q831	8-729-208-47	TRANSISTOR 2SK210GR
Q832	8-729-800-68	TRANSISTOR 2SB815
Q833	8-729-800-68	TRANSISTOR 2SB815
Q851	8-729-801-08	TRANSISTOR 2SC2813Q3
Q852	8-729-109-42	TRANSISTOR 2SK94-X2
Q853	8-729-602-21	TRANSISTOR 2SC4154-F
Q854	8-729-109-42	TRANSISTOR 2SK94-X2
Q855	8-729-801-08	TRANSISTOR 2SC2813Q3
Q856	8-729-801-08	TRANSISTOR 2SC2813Q3
Q857	8-729-801-08	TRANSISTOR 2SC2813Q3
Q858	8-729-801-08	TRANSISTOR 2SC2813Q3
Q901	8-729-102-07	TRANSISTOR 2SC2223-F13
Q902	8-729-109-42	TRANSISTOR 2SK94-X2
Q903	8-729-109-42	TRANSISTOR 2SK94-X2
Q904	8-729-602-21	TRANSISTOR 2SC4154-F
Q905	8-729-801-08	TRANSISTOR 2SC2813Q3
Q951	8-729-602-21	TRANSISTOR 2SC4154-F
Q952	8-729-800-36	TRANSISTOR 2SD1048
Q1001	8-729-801-08	TRANSISTOR 2SC2813Q3
Q1002	8-729-602-21	TRANSISTOR 2SC4154-F
Q1003	8-729-801-08	TRANSISTOR 2SC2813Q3
Q1004	8-729-602-21	TRANSISTOR 2SC4154-F
Q1005	8-729-602-21	TRANSISTOR 2SC4154-F
Q1006	8-729-602-21	TRANSISTOR 2SC4154-F
Q1007	8-729-106-68	TRANSISTOR 2SD1615A-GP
Q1008	8-729-602-36	TRANSISTOR 2SA1602-F
Q1009	8-729-602-36	TRANSISTOR 2SA1602-F
Q1010	8-729-106-68	TRANSISTOR 2SD1615A-GP
Q1011	8-729-602-21	TRANSISTOR 2SC4154-F
Q1012	8-729-602-21	TRANSISTOR 2SC4154-F
Q1013	8-729-602-21	TRANSISTOR 2SC4154-F
Q1014	8-729-602-21	TRANSISTOR 2SC4154-F
Q1015	8-729-112-61	TRANSISTOR 2SA1441
Q1016	8-729-101-07	TRANSISTOR 2SB798
Q1017	8-729-901-07	TRANSISTOR DTA124XK
Q1018	8-729-901-02	TRANSISTOR DTC124XK
Q1019	8-729-602-21	TRANSISTOR 2SC4154-F
Q1020	8-729-602-36	TRANSISTOR 2SA1602-F
Q1101	8-729-602-21	TRANSISTOR 2SC4154-F
Q1102	8-729-801-08	TRANSISTOR 2SC2813Q3
Q1201	8-729-602-36	TRANSISTOR 2SA1602-F
Q1202	8-729-901-02	TRANSISTOR DTC124XK
Q1203	8-729-901-07	TRANSISTOR DTA124XK
Q1204	8-729-112-61	TRANSISTOR 2SA1441
Q1205	8-729-901-02	TRANSISTOR DTC124XK
Q1206	8-729-901-07	TRANSISTOR DTA124XK
Q1301	8-729-901-01	TRANSISTOR DTC144EK
Q1302	8-729-901-01	TRANSISTOR DTC144EK
Q1303	8-729-901-01	TRANSISTOR DTC144EK
Q1304	8-729-901-01	TRANSISTOR DTC144EK
Q1305	8-729-901-07	TRANSISTOR DTA124XK
Q1306	8-729-901-01	TRANSISTOR DTC144EK
Q1307	8-729-602-36	TRANSISTOR 2SA1602-F

Ref.No.	Part No.	Description
Q2001	8-769-401-59	TRANSISTOR 2SK613-3
Q2002	8-729-304-13	TRANSISTOR 2SK3600
Q2003	8-769-401-59	TRANSISTOR 2SK613-3
Q2004	8-729-602-21	TRANSISTOR 2SC4154-F
Q2005	8-769-401-59	TRANSISTOR 2SK613-3
Q2006	8-729-801-08	TRANSISTOR 2SC2813Q3
Q2007	8-729-800-68	TRANSISTOR 2SB815
Q2008	8-729-800-68	TRANSISTOR 2SB815
Q2201	8-729-102-78	TRANSISTOR 2SB962
Q2202	8-729-901-07	TRANSISTOR DTA124XK
Q2203	8-729-901-02	TRANSISTOR DTC124XK
Q2204	8-729-602-21	TRANSISTOR 2SC4154-F
R1	1-216-105-00	METAL GLAZE 220K 5% 1/10W
R2	1-216-298-00	METAL GLAZE 2.2 5% 1/10W
R3	1-249-425-11	(TYPE-1)...CARBON 4.7K 5% 1/4W
R3	1-216-065-00	(TYPE-2)...METAL GLAZE 4.7K 5% 1/10W
R5	1-216-049-00	METAL GLAZE 1K 5% 1/10W
R6	1-216-061-00	METAL GLAZE 3.3K 5% 1/10W
R7	1-216-073-00	(TYPE-2)...METAL GLAZE 10K 5% 1/10W
R8	1-216-009-00	METAL GLAZE 22 5% 1/10W
R9	1-216-021-00	METAL GLAZE 68 5% 1/10W
R10	1-249-441-11	(TYPE-1)...CARBON 100K 5% 1/4W
R10	1-216-097-00	(TYPE-2)...METAL GLAZE 100K 5% 1/10W
R11	1-249-425-11	(TYPE-1)...CARBON 4.7K 5% 1/4W
R11	1-216-065-00	(TYPE-2)...METAL GLAZE 4.7K 5% 1/10W
R12	1-216-033-00	METAL GLAZE 220 5% 1/10W
R13	1-216-111-00	METAL GLAZE 390K 5% 1/10W
R14	1-216-037-00	METAL GLAZE 330 5% 1/10W
R15	1-216-025-00	METAL GLAZE 100 5% 1/10W
R16	1-216-101-00	METAL GLAZE 150K 5% 1/10W
R17	1-216-037-00	METAL GLAZE 330 5% 1/10W
R18	1-216-061-00	METAL GLAZE 3.3K 5% 1/10W
R19	1-216-037-00	METAL GLAZE 330 5% 1/10W
R20	1-249-441-11	(TYPE-1)...CARBON 100K 5% 1/4W
R20	1-216-097-00	(TYPE-2)...METAL GLAZE 100K 5% 1/10W
R21	1-216-111-00	METAL GLAZE 390K 5% 1/10W
R22	1-216-298-00	METAL GLAZE 2.2 5% 1/10W
R23	1-216-057-00	METAL GLAZE 2.2K 5% 1/10W
R24	1-216-073-00	METAL GLAZE 10K 5% 1/10W
R25	1-216-009-00	METAL GLAZE 22 5% 1/10W
R26	1-216-097-00	METAL GLAZE 100K 5% 1/10W
R27	1-216-298-00	METAL GLAZE 2.2 5% 1/10W
R28	1-216-111-00	METAL GLAZE 390K 5% 1/10W
R29	1-216-065-00	METAL GLAZE 4.7K 5% 1/10W
R30	1-216-073-00	METAL GLAZE 10K 5% 1/10W
R31	1-216-049-00	METAL GLAZE 1K 5% 1/10W
R32	1-216-049-00	METAL GLAZE 1K 5% 1/10W
R33	1-216-097-00	METAL GLAZE 100K 5% 1/10W
R34	1-216-073-00	METAL GLAZE 10K 5% 1/10W
R35	1-216-097-00	METAL GLAZE 100K 5% 1/10W
R36	1-216-097-00	METAL GLAZE 100K 5% 1/10W
R37	1-216-025-00	METAL GLAZE 100 5% 1/10W
R38	1-216-049-00	METAL GLAZE 1K 5% 1/10W
R39	1-216-057-00	METAL GLAZE 2.2K 5% 1/10W
R40	1-216-111-00	METAL GLAZE 390K 5% 1/10W
R41	1-216-037-00	METAL GLAZE 330 5% 1/10W

Ref.No.	Part No.	Description
R42	1-216-037-00	METAL GLAZE 330 5% 1/10W
R43	1-216-025-00	METAL GLAZE 100 5% 1/10W
R44	1-216-101-00	METAL GLAZE 150K 5% 1/10W
R45	1-216-037-00	METAL GLAZE 330 5% 1/10W
R46	1-216-065-00	METAL GLAZE 4.7K 5% 1/10W
R47	1-247-847-00	(TYPE-1)...CARBON 4.7K 5% 1/4W
R47	1-216-057-00	(TYPE-2)...METAL GLAZE 2.2K 5% 1/10W
R48	1-216-033-00	METAL GLAZE 220 5% 1/10W
R49	1-216-021-00	METAL GLAZE 68 5% 1/10W
R51	1-216-079-00	METAL GLAZE 18K 5% 1/10W
R52	1-216-099-00	METAL GLAZE 120K 5% 1/10W
R53	1-216-099-00	METAL GLAZE 120K 5% 1/10W
R54	1-216-070-00	METAL GLAZE 7.5K 5% 1/10W
R55	1-216-025-00	METAL GLAZE 100 5% 1/10W
R56	1-216-073-00	METAL GLAZE 10K 5% 1/10W
R57	1-216-073-00	METAL GLAZE 10K 5% 1/10W
R58	1-216-073-00	METAL GLAZE 10K 5% 1/10W
R59	1-216-073-00	METAL GLAZE 10K 5% 1/10W
R60	1-216-073-00	METAL GLAZE 10K 5% 1/10W
R61	1-216-097-00	METAL GLAZE 100K 5% 1/10W
R62	1-216-097-00	METAL GLAZE 100K 5% 1/10W
R63	1-216-025-00	METAL GLAZE 100 5% 1/10W
R64	1-216-073-00	METAL GLAZE 10K 5% 1/10W
R65	1-216-077-00	METAL GLAZE 15K 5% 1/10W
R66	1-216-075-00	METAL GLAZE 12K 5% 1/10W
R67	1-216-057-00	METAL GLAZE 2.2K 5% 1/10W
R68	1-216-049-00	METAL GLAZE 1K 5% 1/10W
R69	1-216-057-00	METAL GLAZE 2.2K 5% 1/10W
R70	1-216-109-00	METAL GLAZE 330K 5% 1/10W
R71	1-216-049-00	METAL GLAZE 1K 5% 1/10W
R72	1-216-081-00	METAL GLAZE 22K 5% 1/10W
R73	1-216-049-00	METAL GLAZE 1K 5% 1/10W
R74	1-216-073-00	METAL GLAZE 10K 5% 1/10W
R75	1-216-081-00	METAL GLAZE 22K 5% 1/10W
R76	1-216-111-00	METAL GLAZE 390K 5% 1/10W
R77	1-216-081-00	METAL GLAZE 22K 5% 1/10W
R78	1-216-103-00	METAL GLAZE 180K 5% 1/10W
R80	1-216-065-00	METAL GLAZE 4.7K 5% 1/10W
R81	1-216-129-00	METAL GLAZE 2.2M 5% 1/10W
R82	1-216-037-00	METAL GLAZE 330 5% 1/10W
R83	1-216-093-00	METAL GLAZE 68K 5% 1/10W
R84	1-216-061-00	METAL GLAZE 3.3K 5% 1/10W
R85	1-216-025-00	METAL GLAZE 100 5% 1/10W
R86	1-216-073-00	METAL GLAZE 10K 5% 1/10W
R87	1-216-091-00	METAL GLAZE 56K 5% 1/10W
R88	1-216-089-00	METAL GLAZE 47K 5% 1/10W
R89	1-216-057-00	METAL GLAZE 2.2K 5% 1/10W
R108	1-216-017-00	METAL GLAZE 47 5% 1/10W
R109	1-216-017-00	METAL GLAZE 47 5% 1/10W
R110	1-216-304-11	METAL GLAZE 3.3 5% 1/10W
R111	1-216-016-11	METAL GLAZE 43 5% 1/10W
R201	1-216-049-00	METAL GLAZE 1K 5% 1/10W
R202	1-216-049-00	METAL GLAZE 1K 5% 1/10W
R203	1-216-097-00	METAL GLAZE 100K 5% 1/10W
R204	1-216-057-00	METAL GLAZE 2.2K 5% 1/10W
R205	1-216-049-00	METAL GLAZE 1K 5% 1/10W
R206	1-216-049-00	METAL GLAZE 1K 5% 1/10W
R207	1-216-049-00	METAL GLAZE 1K 5% 1/10W









Ref.No.	Part No.	Description			
R1310	1-216-025-00	METAL GLAZE	100	5%	1/10W
R1311	1-216-025-00	METAL GLAZE	100	5%	1/10W
R1312	1-216-025-00	METAL GLAZE	100	5%	1/10W
R1313	1-216-025-00	METAL GLAZE	100	5%	1/10W
R1314	1-216-025-00	METAL GLAZE	100	5%	1/10W
R1315	1-216-025-00	METAL GLAZE	100	5%	1/10W
R1316	1-216-025-00	METAL GLAZE	100	5%	1/10W
R1317	1-216-029-00	METAL GLAZE	150	5%	1/10W
R1318	1-216-049-00	METAL GLAZE	1K	5%	1/10W
R1319	1-216-121-00	METAL GLAZE	1M	5%	1/10W
R1320	1-216-121-00	METAL GLAZE	1M	5%	1/10W
R1321	1-216-049-00	METAL GLAZE	1K	5%	1/10W
R1322	1-216-043-00	METAL GLAZE	560	5%	1/10W
R1323	1-216-051-00	METAL GLAZE	1.2K	5%	1/10W
R1324	1-216-077-00	METAL GLAZE	15K	5%	1/10W
R1325	1-216-077-00	METAL GLAZE	15K	5%	1/10W
R1326	1-216-049-00	METAL GLAZE	1K	5%	1/10W
R1327	1-216-049-00	METAL GLAZE	1K	5%	1/10W
R1328	1-216-097-00	METAL GLAZE	100K	5%	1/10W
R1329	1-216-097-00	METAL GLAZE	100K	5%	1/10W
R1330	1-216-097-00	METAL GLAZE	100K	5%	1/10W
R1331	1-216-097-00	METAL GLAZE	100K	5%	1/10W
R1332	1-216-097-00	METAL GLAZE	100K	5%	1/10W
R1333	1-216-049-00	METAL GLAZE	1K	5%	1/10W
R1334	1-216-049-00	METAL GLAZE	1K	5%	1/10W
R1335	1-216-049-00	METAL GLAZE	1K	5%	1/10W
R1336	1-216-049-00	METAL GLAZE	1K	5%	1/10W
R1337	1-216-049-00	METAL GLAZE	1K	5%	1/10W
R1338	1-216-049-00	METAL GLAZE	1K	5%	1/10W
R1339	1-216-049-00	METAL GLAZE	1K	5%	1/10W
R1340	1-216-049-00	METAL GLAZE	1K	5%	1/10W
R1341	1-216-049-00	METAL GLAZE	1K	5%	1/10W
R1342	1-216-049-00	METAL GLAZE	1K	5%	1/10W
R1343	1-216-049-00	METAL GLAZE	1K	5%	1/10W
R1344	1-216-049-00	METAL GLAZE	1K	5%	1/10W
R1345	1-216-049-00	METAL GLAZE	1K	5%	1/10W
R1346	1-216-041-00	METAL GLAZE	470	5%	1/10W
R1347	1-216-041-00	METAL GLAZE	470	5%	1/10W
R1348	1-216-041-00	METAL GLAZE	470	5%	1/10W
R1349	1-216-041-00	METAL GLAZE	470	5%	1/10W
R1350	1-216-041-00	METAL GLAZE	470	5%	1/10W
R1351	1-216-041-00	METAL GLAZE	470	5%	1/10W
R1352	1-216-097-00	METAL GLAZE	100K	5%	1/10W
R1353	1-216-121-00	METAL GLAZE	1M	5%	1/10W
R1354	1-216-121-00	METAL GLAZE	1M	5%	1/10W
R1355	1-216-121-00	METAL GLAZE	1M	5%	1/10W
R1356	1-216-073-00	METAL GLAZE	10K	5%	1/10W
R1357	1-216-097-00	METAL GLAZE	100K	5%	1/10W
R1358	1-216-025-00	METAL GLAZE	100	5%	1/10W
R1359	1-216-097-00	METAL GLAZE	100K	5%	1/10W
R1360	1-216-097-00	METAL GLAZE	100K	5%	1/10W
R1361	1-216-102-00	METAL GLAZE	160K	5%	1/10W
R1362	1-216-121-00	METAL GLAZE	1M	5%	1/10W
R1363	1-216-029-00	METAL GLAZE	150	5%	1/10W
R1364	1-216-029-00	METAL GLAZE	150	5%	1/10W
R1365	1-216-121-00	METAL GLAZE	1M	5%	1/10W
R1366	1-216-049-00	(TYPE-2)...METAL GLAZE	1K	5%	1/10W

Ref.No.	Part No.	Description			
R2001	1-216-009-00	METAL GLAZE	22	5%	1/10W
R2002	1-216-063-00	METAL GLAZE	3.9K	5%	1/10W
R2003	1-216-057-00	METAL GLAZE	2.2K	5%	1/10W
R2004	1-216-073-00	METAL GLAZE	10K	5%	1/10W
R2005	1-216-009-00	METAL GLAZE	22	5%	1/10W
R2006	1-216-009-00	METAL GLAZE	22	5%	1/10W
R2007	1-216-009-00	METAL GLAZE	22	5%	1/10W
R2009	1-216-057-00	METAL GLAZE	2.2K	5%	1/10W
R2010	1-216-049-00	METAL GLAZE	1K	5%	1/10W
R2011	1-216-009-00	METAL GLAZE	22	5%	1/10W
R2012	1-216-025-00	METAL GLAZE	100	5%	1/10W
R2013	1-216-009-00	METAL GLAZE	22	5%	1/10W
R2014	1-216-049-00	METAL GLAZE	1K	5%	1/10W
R2015	1-216-049-00	METAL GLAZE	1K	5%	1/10W
R2017	1-216-017-00	METAL GLAZE	47	5%	1/10W
R2018	1-216-009-00	METAL GLAZE	22	5%	1/10W
R2019	1-216-009-00	METAL GLAZE	22	5%	1/10W
R2020	1-216-057-00	METAL GLAZE	2.2K	5%	1/10W
R2021	1-216-009-00	METAL GLAZE	22	5%	1/10W
R2022	1-216-097-00	METAL GLAZE	100K	5%	1/10W
R2023	1-216-091-00	METAL GLAZE	56K	5%	1/10W
R2024	1-216-057-00	METAL GLAZE	2.2K	5%	1/10W
R2025	1-216-017-00	METAL GLAZE	47	5%	1/10W
R2026	1-216-009-00	METAL GLAZE	22	5%	1/10W
R2027	1-216-009-00	METAL GLAZE	22	5%	1/10W
R2028	1-216-101-00	METAL GLAZE	150K	5%	1/10W
R2029	1-216-025-00	METAL GLAZE	100	5%	1/10W
R2030	1-216-033-00	METAL GLAZE	220	5%	1/10W
R2031	1-216-073-00	METAL GLAZE	10K	5%	1/10W
R2032	1-216-097-00	METAL GLAZE	100K	5%	1/10W
R2033	1-216-097-00	METAL GLAZE	100K	5%	1/10W
R2034	1-216-097-00	METAL GLAZE	100K	5%	1/10W
R2035	1-216-097-00	METAL GLAZE	100K	5%	1/10W
R2036	1-216-049-00	METAL GLAZE	1K	5%	1/10W
R2037	1-216-097-00	METAL GLAZE	100K	5%	1/10W
R2038	1-216-063-00	METAL GLAZE	3.9K	5%	1/10W
R2039	1-216-069-00	METAL GLAZE	6.8K	5%	1/10W
R2040	1-216-067-00	METAL GLAZE	5.6K	5%	1/10W
R2041	1-216-057-00	METAL GLAZE	2.2K	5%	1/10W
R2042	1-216-057-00	METAL GLAZE	2.2K	5%	1/10W
R2043	1-216-057-00	METAL GLAZE	2.2K	5%	1/10W
R2045	1-216-025-00	METAL GLAZE	100	5%	1/10W
R2046	1-216-182-00	METAL GLAZE	220	5%	1/8W
R2101	1-216-049-00	METAL GLAZE	1K	5%	1/10W
R2102	1-216-049-00	METAL GLAZE	1K	5%	1/10W
R2103	1-216-073-00	METAL GLAZE	10K	5%	1/10W
R2104	1-216-073-00	METAL GLAZE	10K	5%	1/10W
R2105	1-216-073-00	METAL GLAZE	10K	5%	1/10W
R2106	1-216-049-00	METAL GLAZE	1K	5%	1/10W
R2107	1-216-073-00	METAL GLAZE	10K	5%	1/10W
R2108	1-216-049-00	METAL GLAZE	1K	5%	1/10W
R2109	1-216-049-00	METAL GLAZE	1K	5%	1/10W
R2113	1-216-097-00	METAL GLAZE	100K	5%	1/10W
R2114	1-216-097-00	METAL GLAZE	100K	5%	1/10W
R2116	1-216-097-00	METAL GLAZE	100K	5%	1/10W
R2201	1-216-073-00	METAL GLAZE	10K	5%	1/10W
R2202	1-249-431-11	(TYPE-1)...CARBON	15K	5%	1/4W
R2202	1-216-077-00	(TYPE-2)...METAL GLAZE	15K	5%	1/10W

Ref.No.	Part No.	Description			
R2203	1-216-061-00	METAL GLAZE	3.3K	5%	1/10W
R2204	1-216-075-00	METAL GLAZE	12K	5%	1/10W
R2205	1-216-061-00	METAL GLAZE	3.3K	5%	1/10W
R2206	1-216-073-00	METAL GLAZE	10K	5%	1/10W
R2207	1-216-001-00	METAL GLAZE	10	5%	1/10W
R2208	1-216-001-00	METAL GLAZE	10	5%	1/10W
R2209	1-216-001-00	METAL GLAZE	10	5%	1/10W
R2210	1-216-001-00	METAL GLAZE	10	5%	1/10W
R2211	1-216-001-00	METAL GLAZE	10	5%	1/10W
R2212	1-216-033-00	METAL GLAZE	220	5%	1/10W
R2213	1-216-089-00	METAL GLAZE	47K	5%	1/10W
R2301	1-216-037-00	METAL GLAZE	330	5%	1/10W
RV51	1-237-407-11	RES. ADJ. METAL GLAZE	47K		
RV52	1-237-405-11	RES. ADJ. METAL GLAZE	10K		
RV53	1-237-407-11	RES. ADJ. METAL GLAZE	47K		
RY101	1-237-906-11	RES. VAR. CARBON 10K (AM RF GAIN)			
RY401	1-237-140-11	RES. ADJ. METAL GLAZE	470		
RY402	1-237-410-11	RES. ADJ. METAL GLAZE	470K		
RY601	1-237-907-11	RES. VAR. CARBON 10K (AM FILTER)			
RY602	1-237-907-11	RES. VAR. CARBON 10K (VOLUME)			
RY603	1-237-906-11	RES. VAR. CARBON 10K (P.B.INPUT LEVEL)			
RY1001	1-237-407-11	RES. ADJ. METAL GLAZE	47K		
RY1002	1-237-140-11	(TYPE-2)...RES. ADJ. METAL GLAZE	470		
RY1501	1-237-905-11	RES. VAR. CARBON 1K (LCD CONTRAST)			
RY702	1-515-680-11	RELAY			
S3	1-571-326-11	SWITCH, SLIDE (ATTENUATOR)			
S1301	1-571-325-11	SWITCH, KEY BOARD (POWER ON)			
S1302	1-571-325-11	SWITCH, KEY BOARD (POWER OFF)			
S1303	1-571-325-11	SWITCH, KEY BOARD (SLEEP)			
S1304	1-571-325-11	SWITCH, KEY BOARD (TIMER)			
S1305	1-571-315-11	SWITCH, KEY BOARD (DATE)			
S1306	1-571-315-11	SWITCH, KEY BOARD (LIGHT)			
S1351	1-553-856-00	SWITCH, KEY BOARD (ALL RESET)			
S1401	1-571-325-11	SWITCH, KEY BOARD (F1)			
S1402	1-571-325-11	SWITCH, KEY BOARD (F2)			
S1403	1-571-325-11	SWITCH, KEY BOARD (F3)			
S1404	1-571-325-11	SWITCH, KEY BOARD (F4)			
S1405	1-571-325-11	SWITCH, KEY BOARD (F5)			
S1406	1-571-325-11	SWITCH, KEY BOARD (F6)			
S1407	1-571-325-11	SWITCH, KEY BOARD (F7)			
S1411	1-571-315-11	SWITCH, KEY BOARD (PAPER FEED)			
S1412	1-571-315-11	SWITCH, KEY BOARD (HARD COPY)			
S1413	1-571-315-11	SWITCH, KEY BOARD (TAPE)			
S1414	1-571-315-11	SWITCH, KEY BOARD (SAT)			
S1415	1-571-315-11	SWITCH, KEY BOARD (FAX)			
S1416	1-571-315-11	SWITCH, KEY BOARD (RTTY)			
S1501	1-571-325-11	SWITCH, KEY BOARD (DIAL STEP)			
S1502	1-571-325-11	SWITCH, KEY BOARD (FUNCTION)			
S1503	1-571-325-11	SWITCH, KEY BOARD (MEMORY PAGE)			
S1504	1-571-325-11	SWITCH, KEY BOARD (PAGE MARK)			
S1505	1-571-325-11	SWITCH, KEY BOARD (PAGE FEED)			
S1506	1-571-325-11	SWITCH, KEY BOARD (SQUELCH)			
S1507	1-571-315-11	SWITCH, KEY BOARD (MEMORY ENTER)			
S1508	1-571-315-11	SWITCH, KEY BOARD (TITLE ENTER)			
S1509	1-571-315-11	SWITCH, KEY BOARD (PAGE NAME)			
S1510	1-571-315-11	SWITCH, KEY BOARD (QUICK SCAN START/PAGE MARK SET)			
S1511	1-571-325-11	SWITCH, KEY BOARD (SCAN -)			

Ref.No.	Part No.	Description
S1512	1-571-325-11	SWITCH, KEY BOARD (SCAN +)
S1513	1-571-325-11	SWITCH, KEY BOARD (KEY PROTECT)
S1514	1-571-325-11	SWITCH, KEY BOARD (N.B.FM)
S1515	1-571-325-11	SWITCH, KEY BOARD (AM NARR)
S1516	1-571-325-11	SWITCH, KEY BOARD (AM WIDE)
S1517	1-571-325-11	SWITCH, KEY BOARD (SYNC LSB)
S1518	1-571-325-11	SWITCH, KEY BOARD (SYNC USB)
S1519	1-571-325-11	SWITCH, KEY BOARD (SSB LSB/CN)
S1520	1-571-325-11	SWITCH, KEY BOARD (SSB USB)
S1521	1-571-325-11	SWITCH, KEY BOARD (TITLER →)
S1522	1-571-325-11	SWITCH, KEY BOARD (TITLER ←)
S1523	1-571-325-11	SWITCH, KEY BOARD (TITLER ON/OFF)
S1524	1-571-325-11	SWITCH, KEY BOARD (1)
S1525	1-571-325-11	SWITCH, KEY BOARD (2)
S1526	1-571-325-11	SWITCH, KEY BOARD (3)
S1527	1-571-325-11	SWITCH, KEY BOARD (4)
S1528	1-571-325-11	SWITCH, KEY BOARD (5)
S1529	1-571-325-11	SWITCH, KEY BOARD (6)
S1530	1-571-325-11	SWITCH, KEY BOARD (7)
S1531	1-571-325-11	SWITCH, KEY BOARD (8)
S1532	1-571-325-11	SWITCH, KEY BOARD (9)
S1533	1-571-325-11	SWITCH, KEY BOARD (C)
S1534	1-571-325-11	SWITCH, KEY BOARD (0)
S1535	1-571-325-11	SWITCH, KEY BOARD (PERIOD)
S1536	1-571-325-11	SWITCH, KEY BOARD (KHz)
S1537	1-571-325-11	SWITCH, KEY BOARD (MHz)
S1538	1-571-325-11	SWITCH, KEY BOARD (PRIORITY)
S1539	1-571-325-11	SWITCH, KEY BOARD (DELAY)
S1540	1-571-325-11	