

IC33 1/3-3/3  
11074HC11FP

IC32  
UP07105568-304

Q301  
2SA1162Y

IC31  
H0G413388F6

IC37  
RH5VA43CA-T1

IC38  
RH5RE50A-T1

IC39 1/2-2/2  
11074HC13BFP

- 87 (7) R310 2.2K
- 86 (8) R309 2.2K
- 85 (6) R318 1.5K
- 84 (4) R307 2.2K
- 83 (3) R308 2.2K
- 82 (2) R305 2.2K
- 81 (1) R304 2.2K
- 80 (9) R303 2.2K
- 79 (8) R302 2.2K
- 78 (10) R301 2.2K

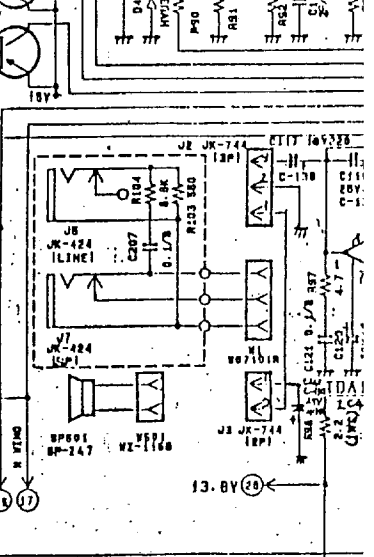
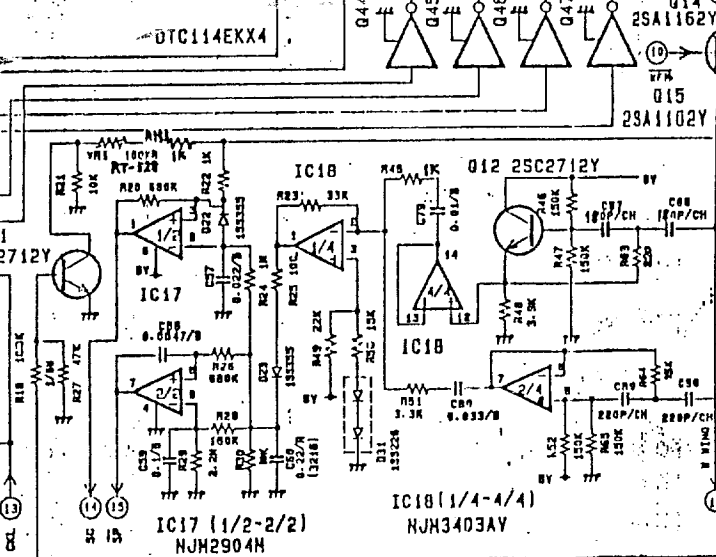
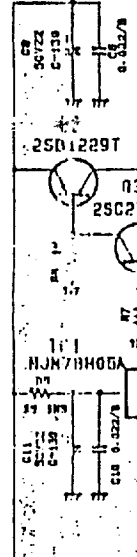
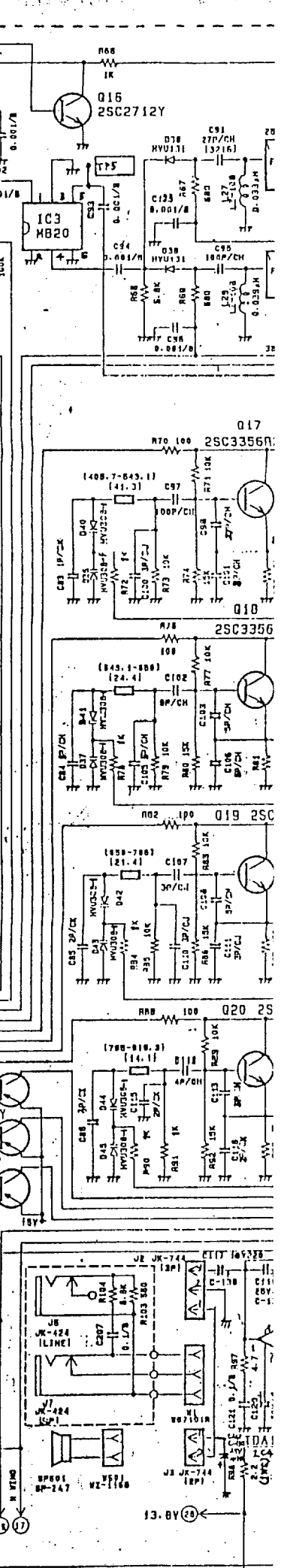
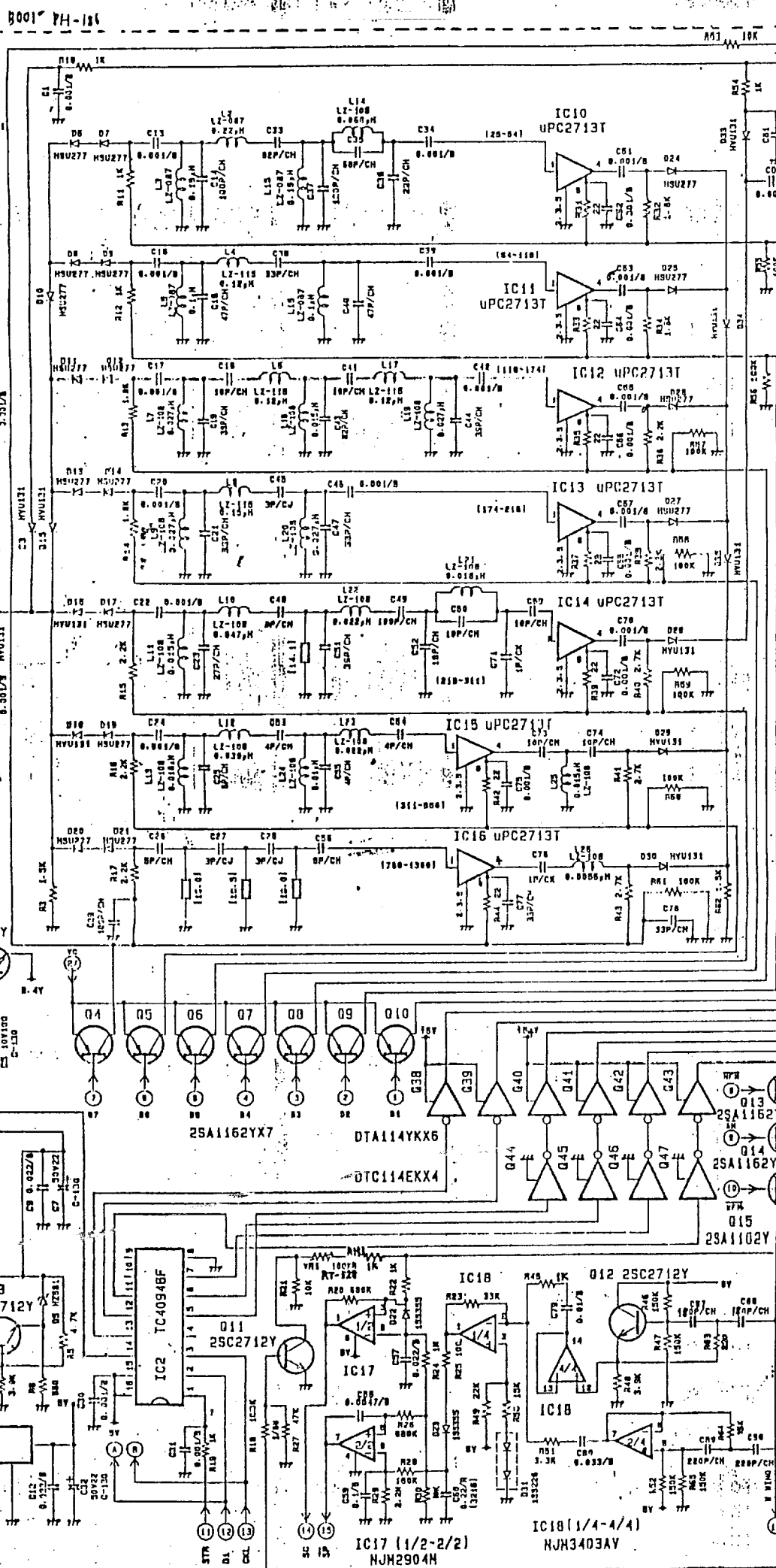
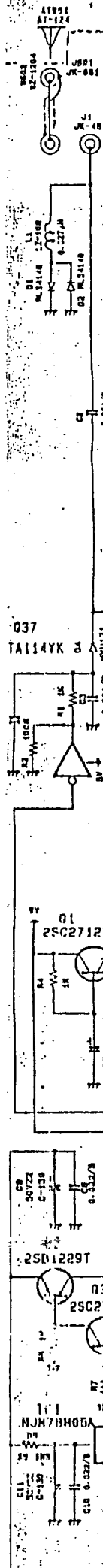
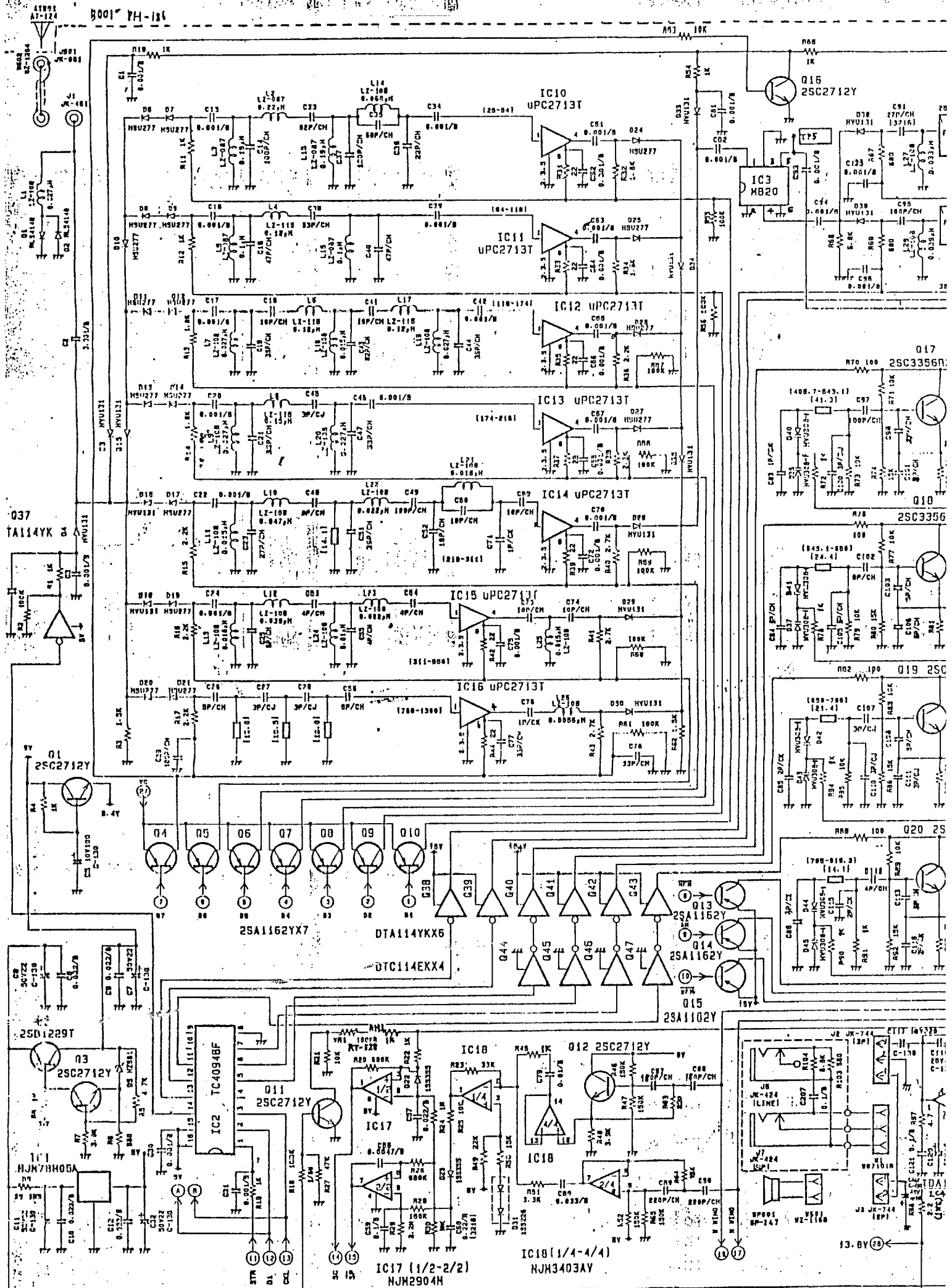
- R300 10K
- R306 10K
- R309 1K
- R310 1K
- R311 1K
- R312 1K
- R313 1K
- R314 1K
- R315 1K
- R316 10K
- R317 1K
- R318 1K
- R319 1K
- R320 1K
- R321 1K
- R322 1K
- R323 1K
- R324 1K
- R325 1K
- R326 10K
- R327 10K
- R328 10K
- R329 10K
- R330 10K
- R331 10K
- R332 10K
- R333 10K
- R334 10K
- R335 10K
- R336 10K
- R337 10K
- R338 10K
- R339 10K
- R340 10K
- R341 10K
- R342 10K
- R343 10K
- R344 10K
- R345 10K
- R346 10K
- R347 10K
- R348 10K
- R349 10K
- R350 10K
- R351 10K
- R352 10K
- R353 10K
- R354 10K
- R355 10K
- R356 10K
- R357 10K
- R358 10K
- R359 10K
- R360 10K
- R361 10K
- R362 10K
- R363 10K
- R364 10K
- R365 10K
- R366 10K
- R367 10K
- R368 10K
- R369 10K
- R370 10K
- R371 10K
- R372 10K
- R373 10K
- R374 10K
- R375 10K
- R376 10K
- R377 10K
- R378 10K
- R379 10K
- R380 10K
- R381 10K
- R382 10K
- R383 10K
- R384 10K
- R385 10K
- R386 10K
- R387 10K
- R388 10K
- R389 10K
- R390 10K
- R391 10K
- R392 10K
- R393 10K
- R394 10K
- R395 10K
- R396 10K
- R397 10K
- R398 10K
- R399 10K
- R400 10K

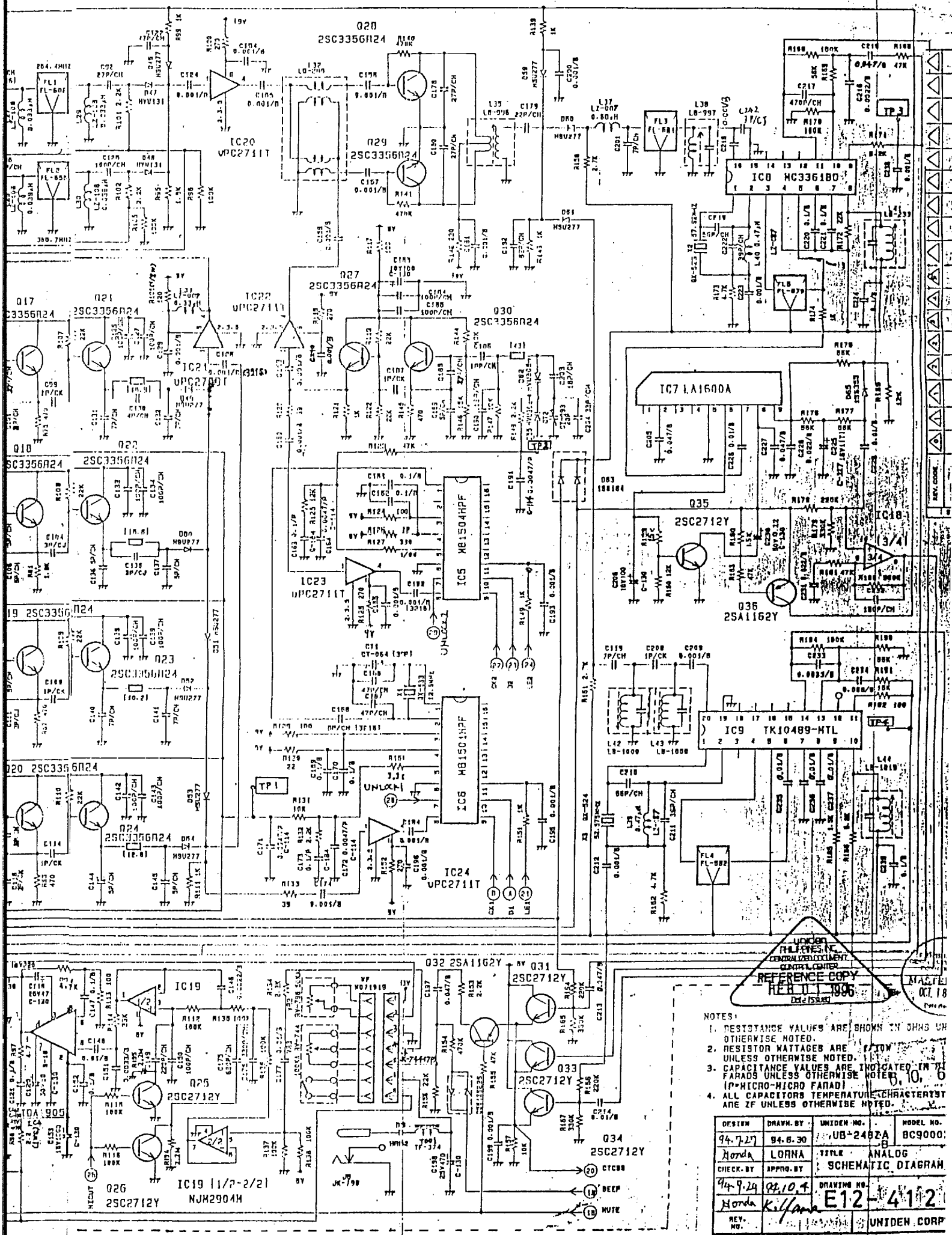
- C301 0.001/3
- C302 0.001/3
- C303 0.001/3
- C304 0.001/3
- C305 0.001/3
- C306 0.001/3
- C307 0.001/3
- C308 0.001/3
- C309 0.001/3
- C310 0.001/3
- C311 0.001/3
- C312 0.001/3
- C313 0.001/3
- C314 0.001/3
- C315 0.001/3
- C316 0.001/3
- C317 0.001/3
- C318 0.001/3
- C319 0.001/3
- C320 0.001/3
- C321 0.001/3
- C322 0.001/3
- C323 0.001/3
- C324 0.001/3
- C325 0.001/3
- C326 0.001/3
- C327 0.001/3
- C328 0.001/3
- C329 0.001/3
- C330 0.001/3
- C331 0.001/3
- C332 0.001/3
- C333 0.001/3
- C334 0.001/3
- C335 0.001/3
- C336 0.001/3
- C337 0.001/3
- C338 0.001/3
- C339 0.001/3
- C340 0.001/3
- C341 0.001/3
- C342 0.001/3
- C343 0.001/3
- C344 0.001/3
- C345 0.001/3
- C346 0.001/3
- C347 0.001/3
- C348 0.001/3
- C349 0.001/3
- C350 0.001/3
- C351 0.001/3
- C352 0.001/3
- C353 0.001/3
- C354 0.001/3
- C355 0.001/3
- C356 0.001/3
- C357 0.001/3
- C358 0.001/3
- C359 0.001/3
- C360 0.001/3
- C361 0.001/3
- C362 0.001/3
- C363 0.001/3
- C364 0.001/3
- C365 0.001/3
- C366 0.001/3
- C367 0.001/3
- C368 0.001/3
- C369 0.001/3
- C370 0.001/3
- C371 0.001/3
- C372 0.001/3
- C373 0.001/3
- C374 0.001/3
- C375 0.001/3
- C376 0.001/3
- C377 0.001/3
- C378 0.001/3
- C379 0.001/3
- C380 0.001/3
- C381 0.001/3
- C382 0.001/3
- C383 0.001/3
- C384 0.001/3
- C385 0.001/3
- C386 0.001/3
- C387 0.001/3
- C388 0.001/3
- C389 0.001/3
- C390 0.001/3
- C391 0.001/3
- C392 0.001/3
- C393 0.001/3
- C394 0.001/3
- C395 0.001/3
- C396 0.001/3
- C397 0.001/3
- C398 0.001/3
- C399 0.001/3
- C400 0.001/3

- L301 100UH
- L302 10UH
- L303 10UH
- L304 10UH
- L305 10UH
- L306 10UH
- L307 10UH
- L308 10UH
- L309 10UH
- L310 10UH
- L311 10UH
- L312 10UH
- L313 10UH
- L314 10UH
- L315 10UH
- L316 10UH
- L317 10UH
- L318 10UH
- L319 10UH
- L320 10UH
- L321 10UH
- L322 10UH
- L323 10UH
- L324 10UH
- L325 10UH
- L326 10UH
- L327 10UH
- L328 10UH
- L329 10UH
- L330 10UH
- L331 10UH
- L332 10UH
- L333 10UH
- L334 10UH
- L335 10UH
- L336 10UH
- L337 10UH
- L338 10UH
- L339 10UH
- L340 10UH
- L341 10UH
- L342 10UH
- L343 10UH
- L344 10UH
- L345 10UH
- L346 10UH
- L347 10UH
- L348 10UH
- L349 10UH
- L350 10UH
- L351 10UH
- L352 10UH
- L353 10UH
- L354 10UH
- L355 10UH
- L356 10UH
- L357 10UH
- L358 10UH
- L359 10UH
- L360 10UH
- L361 10UH
- L362 10UH
- L363 10UH
- L364 10UH
- L365 10UH
- L366 10UH
- L367 10UH
- L368 10UH
- L369 10UH
- L370 10UH
- L371 10UH
- L372 10UH
- L373 10UH
- L374 10UH
- L375 10UH
- L376 10UH
- L377 10UH
- L378 10UH
- L379 10UH
- L380 10UH
- L381 10UH
- L382 10UH
- L383 10UH
- L384 10UH
- L385 10UH
- L386 10UH
- L387 10UH
- L388 10UH
- L389 10UH
- L390 10UH
- L391 10UH
- L392 10UH
- L393 10UH
- L394 10UH
- L395 10UH
- L396 10UH
- L397 10UH
- L398 10UH
- L399 10UH
- L400 10UH

- U100 100V
- U101 100V
- U102 100V
- U103 100V
- U104 100V
- U105 100V
- U106 100V
- U107 100V
- U108 100V
- U109 100V
- U110 100V
- U111 100V
- U112 100V
- U113 100V
- U114 100V
- U115 100V
- U116 100V
- U117 100V
- U118 100V
- U119 100V
- U120 100V
- U121 100V
- U122 100V
- U123 100V
- U124 100V
- U125 100V
- U126 100V
- U127 100V
- U128 100V
- U129 100V
- U130 100V
- U131 100V
- U132 100V
- U133 100V
- U134 100V
- U135 100V
- U136 100V
- U137 100V
- U138 100V
- U139 100V
- U140 100V
- U141 100V
- U142 100V
- U143 100V
- U144 100V
- U145 100V
- U146 100V
- U147 100V
- U148 100V
- U149 100V
- U150 100V
- U151 100V
- U152 100V
- U153 100V
- U154 100V
- U155 100V
- U156 100V
- U157 100V
- U158 100V
- U159 100V
- U160 100V







UNIDEN  
 ELECTRONIC  
 CENTRAL DIVISION  
 CHICAGO, ILLINOIS  
**REFERENCE COPY**  
 FEB 11 1966  
 Date 10/27/80

- NOTES:
1. RESISTANCE VALUES ARE SHOWN IN OHMS UNLESS OTHERWISE NOTED.
  2. RESISTOR WATTAGES ARE 1/2 WATT UNLESS OTHERWISE NOTED.
  3. CAPACITANCE VALUES ARE INDICATED IN MICRO-FARADS UNLESS OTHERWISE NOTED. 10, 100, 1000 = MICRO-FARAD.
  4. ALL CAPACITORS TEMPERATURE CHARACTERISTICS ARE 2F UNLESS OTHERWISE NOTED.

DESIGN	DRAWN BY	UNIDEN NO.	MODEL NO.
94-7-27	94.6.30	UB-2462A	BC9000
Horita	LORNA	TTTLK	ANALOG
CHECK BY	APPRO. BY	SCHEMATIC DIAGRAM	
94-9-24	94.10.4	DRAWING NO.	E12-412
Horita	Kellam	REV. NO.	UNIDEN CORP