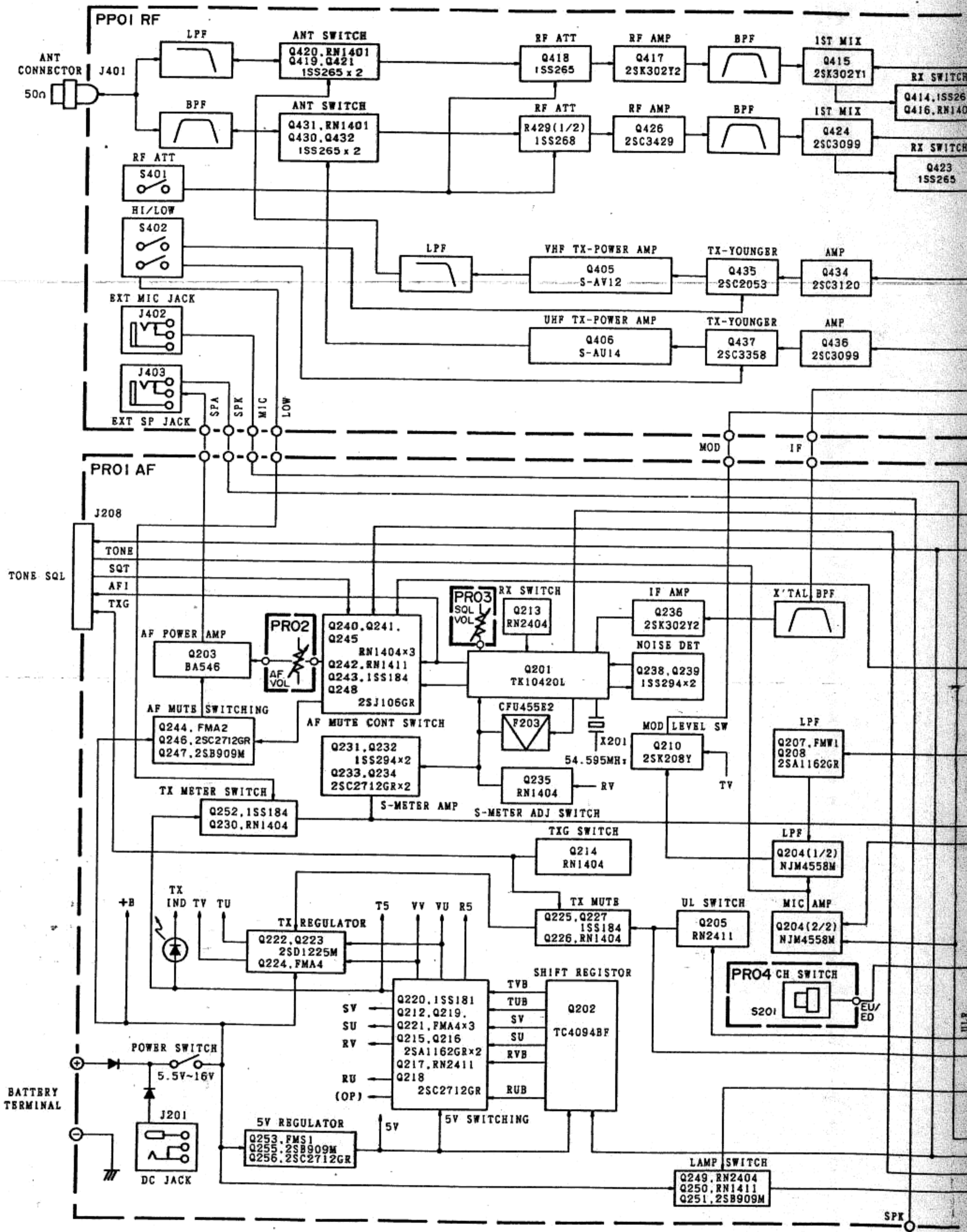
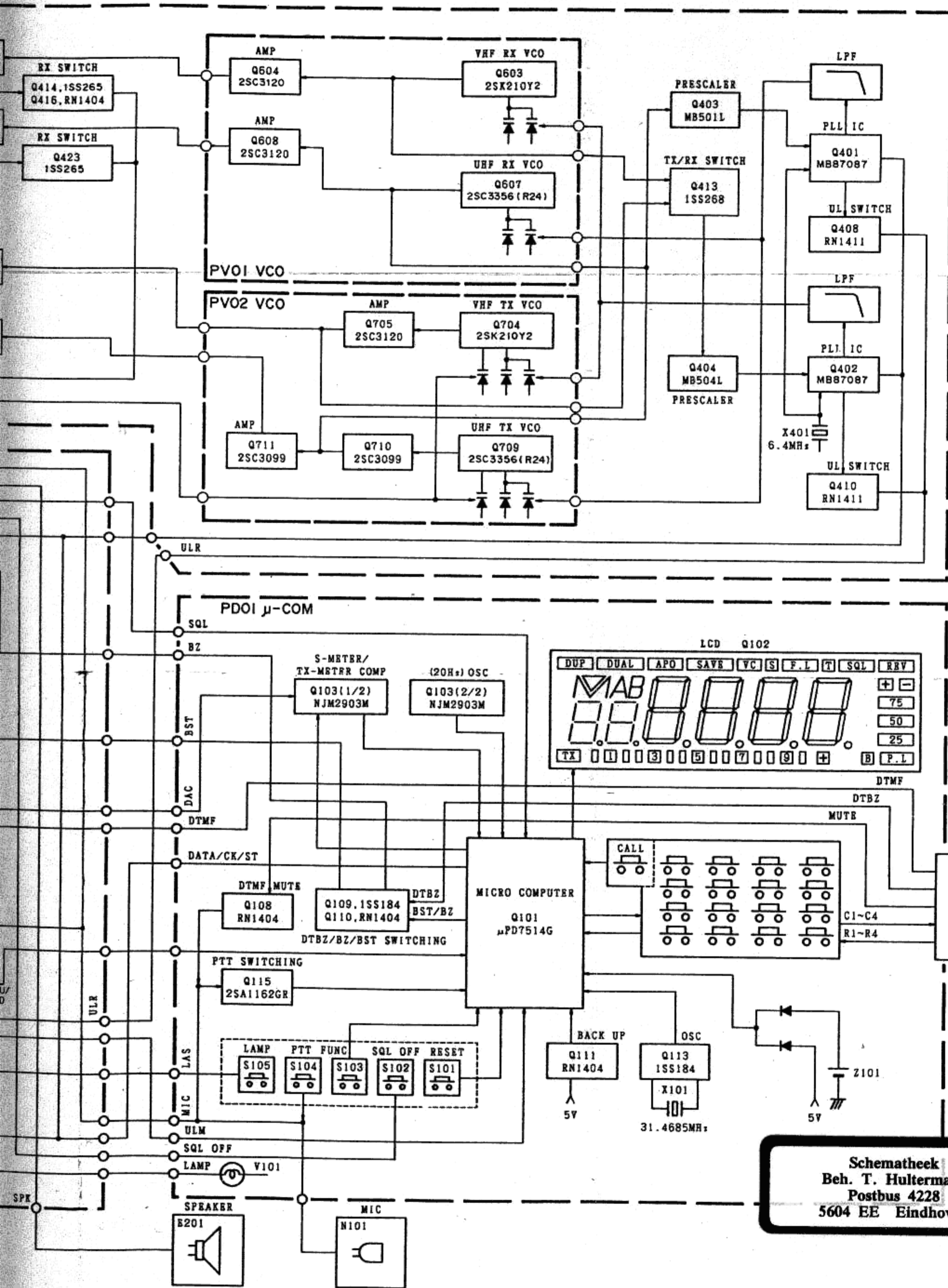


BLOCK DIAGRAM

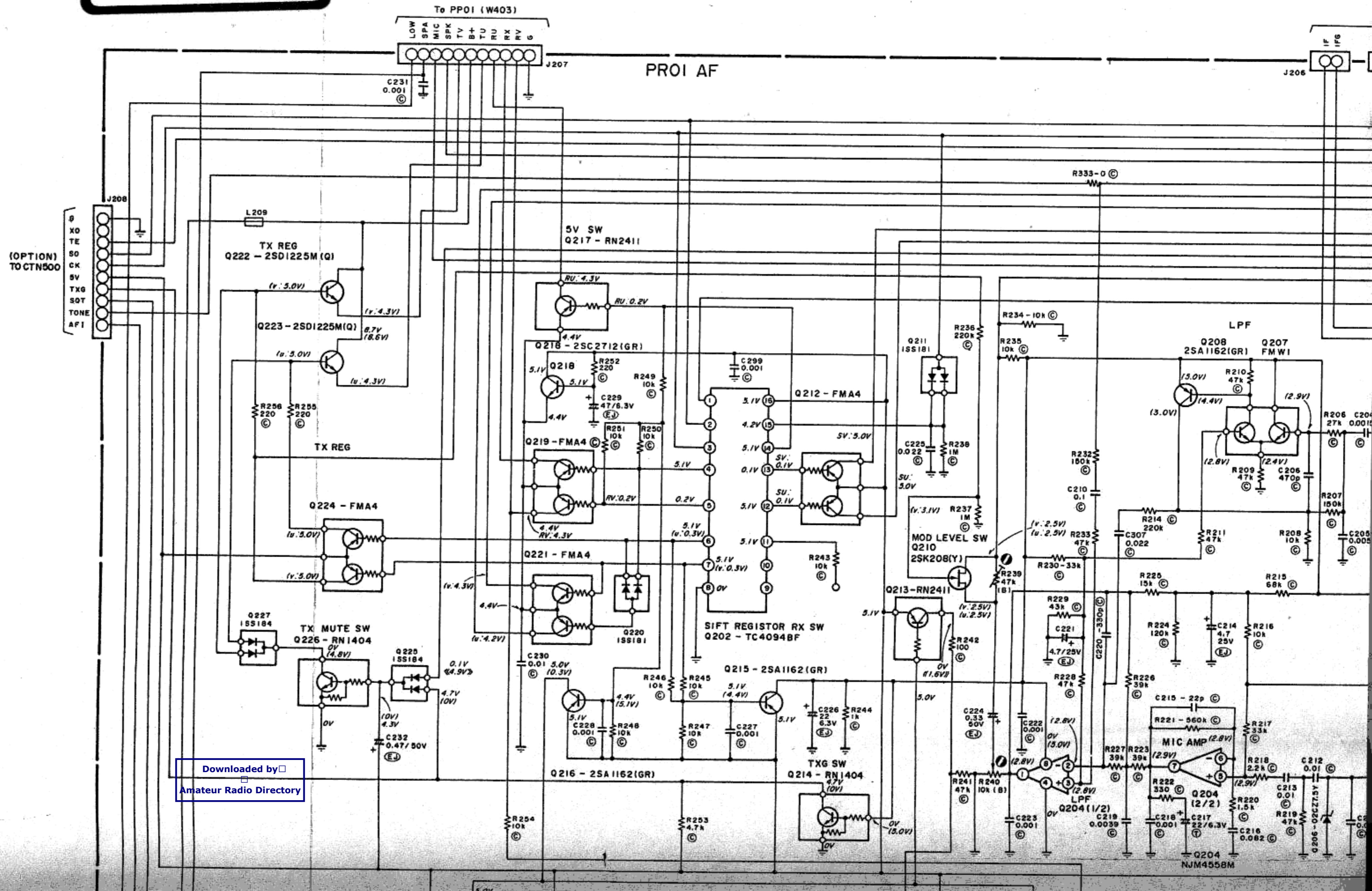
Downloaded by
RadioAmateur.EU



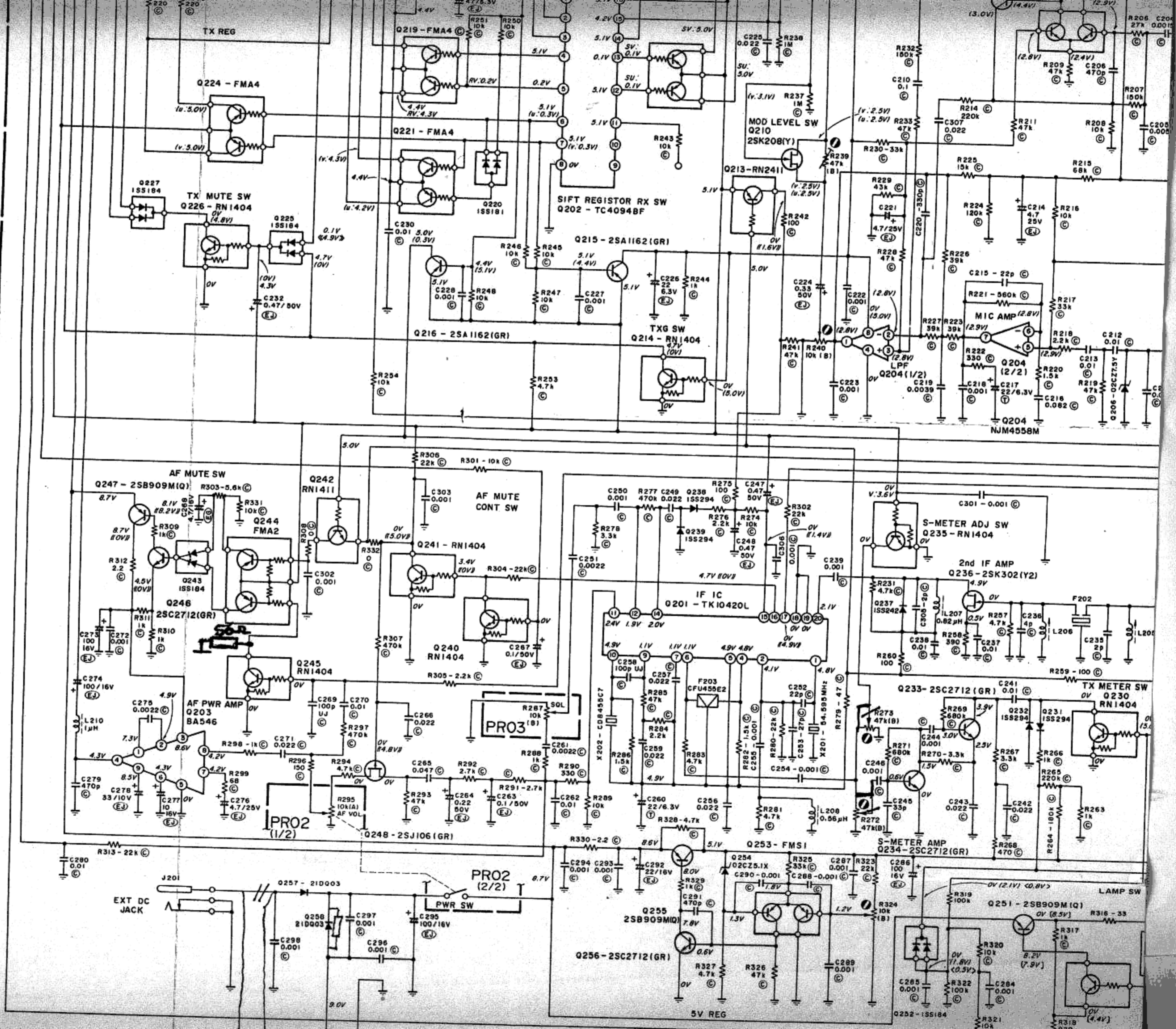


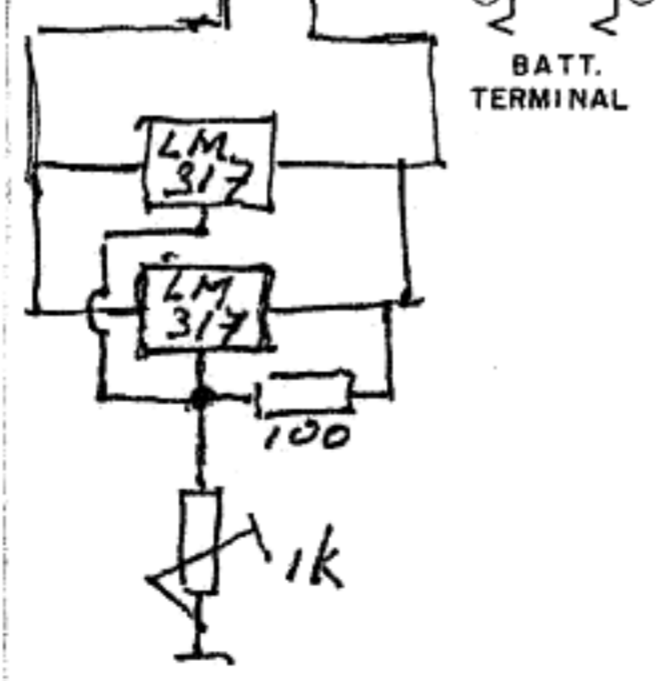
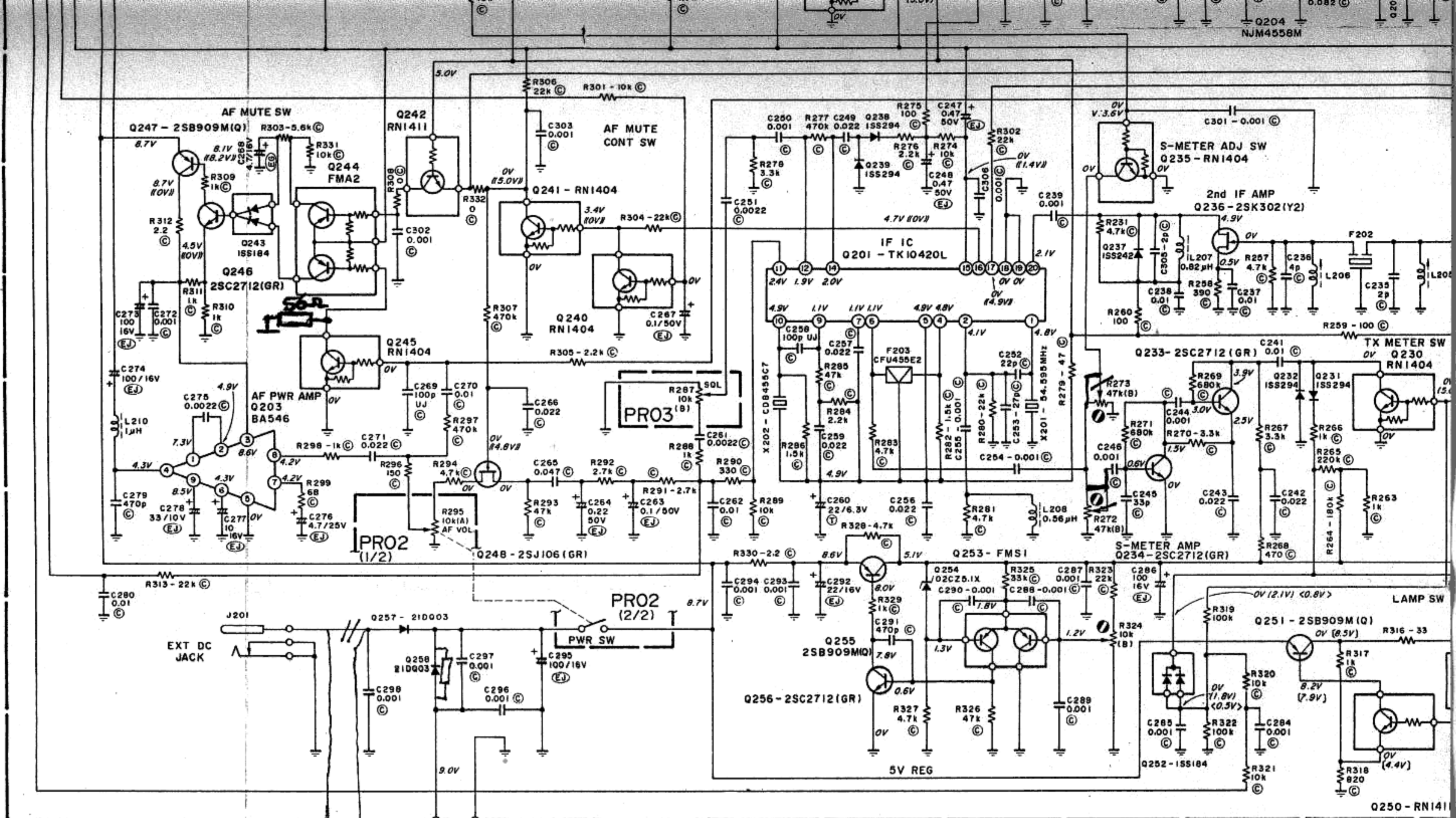
Schematheek
 Beh. T. Hultermans
 Postbus 4228
 5604 EE Eindhoven

Schematheek
Beh. T. Hultermans
Postbus 4228
5604 EE Eindhoven



Downloaded by
Amateur Radio Directory

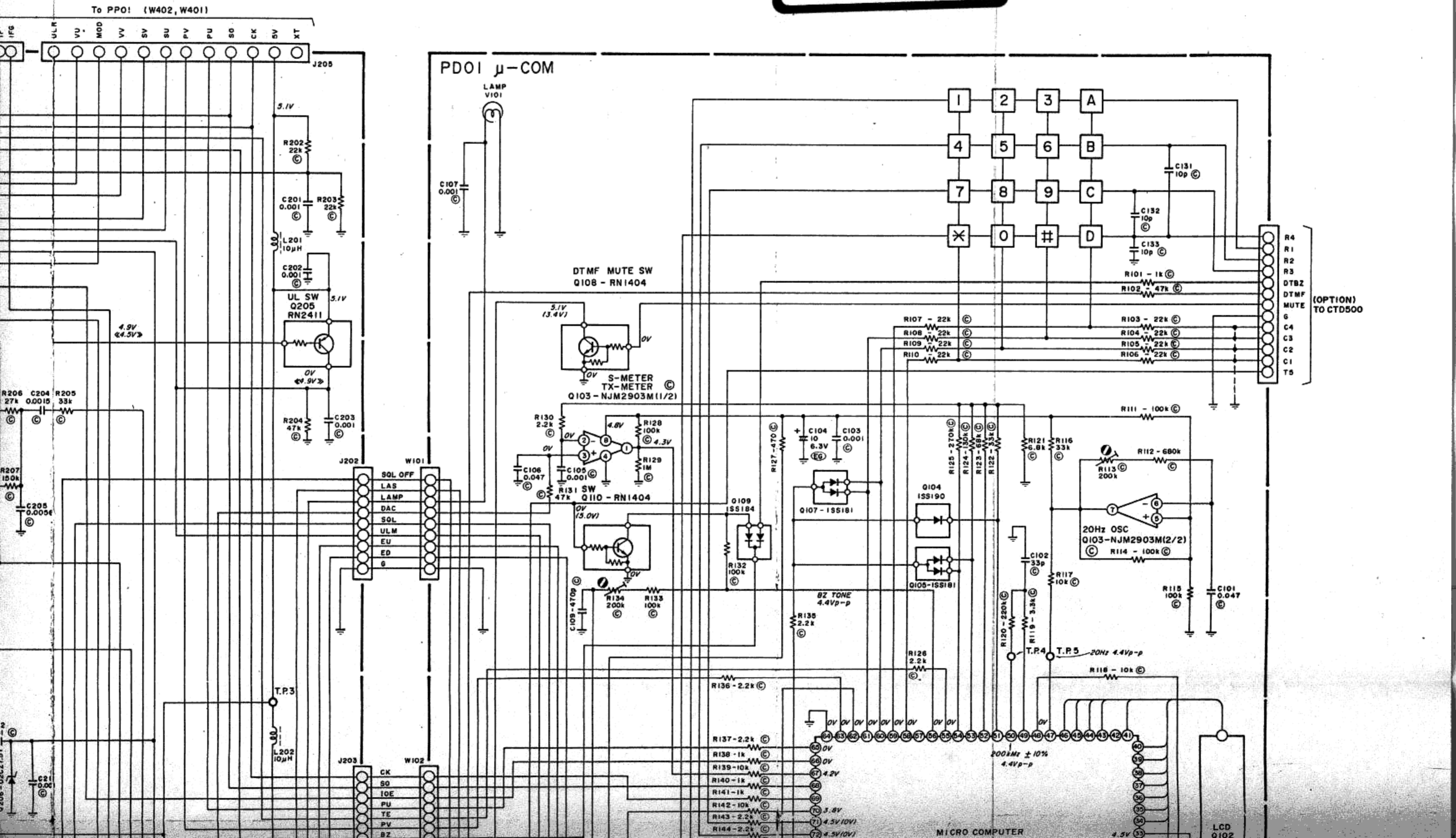


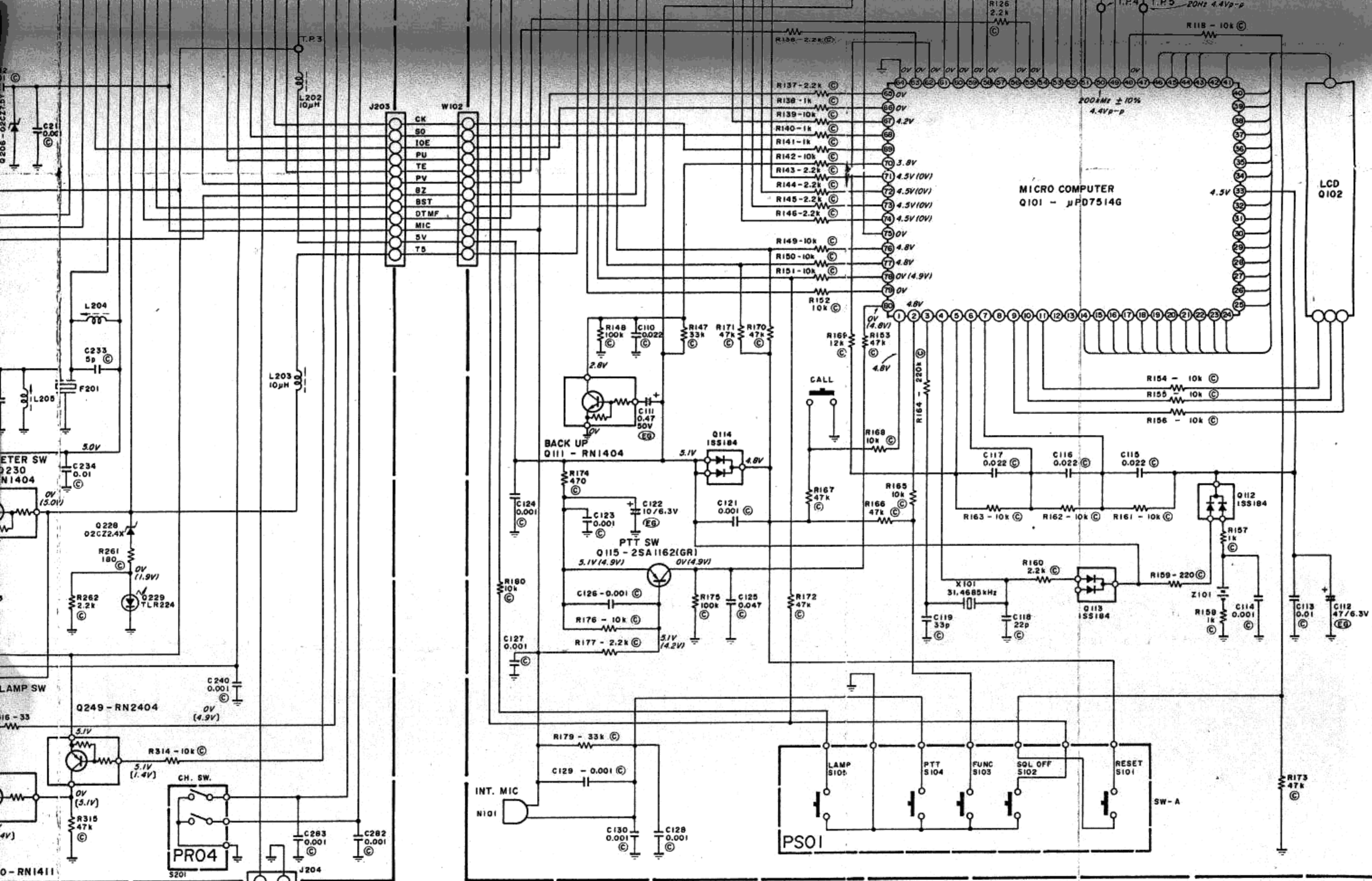


SCHEMATIC DIAGRAM FOR MODEL C500E

Schematheek
 Beh. T. Hultermans
 Postbus 4228
 5604 EE Eindhoven

Downloaded by
 RadioAmateur.EU

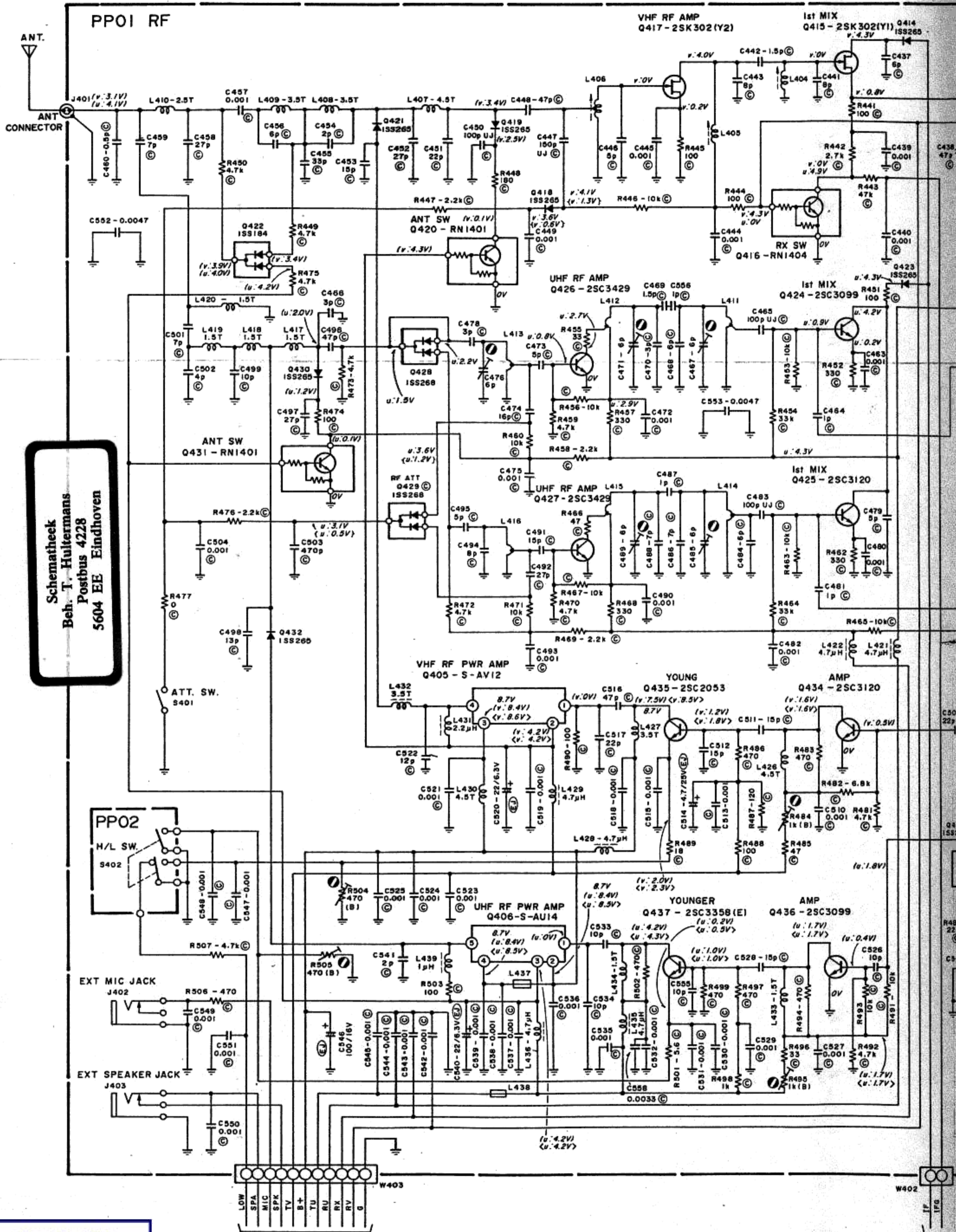




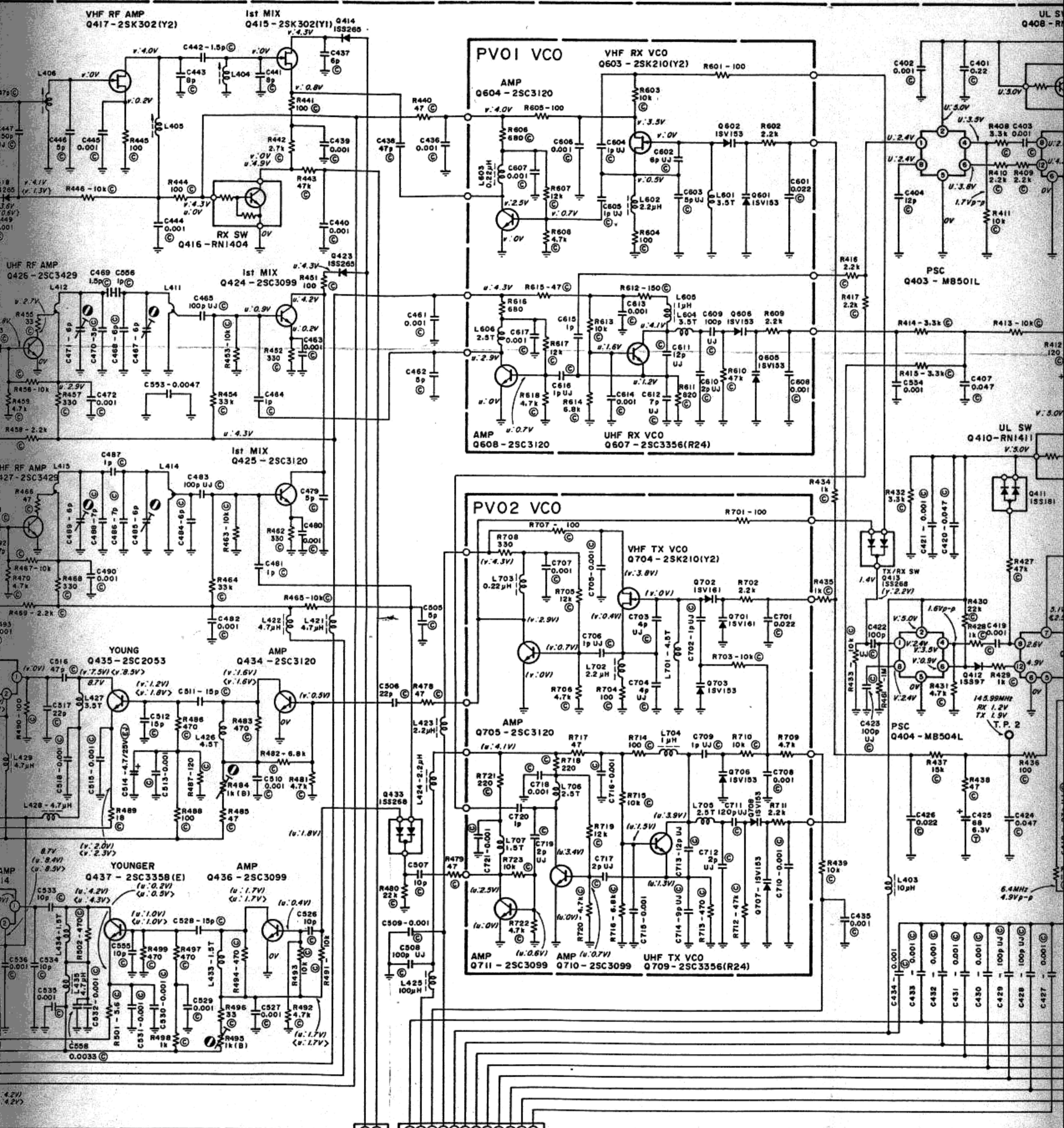
NOTES:
 1. REFER TO PARTS LIST FOR COMPONENT VALUES.
 2. UNLESS OTHERWISE NOTED RESISTOR VALUES ARE IN OHMS, AND CAPACITOR VALUES ARE IN MICROFARADS.

3. VOLTAGE NOTATIONS ARE AS FOLLOWS: 4

() : TX (HI POWER)	NO MARKING : RX VHF SQL OFF
() : TX (LOW POWER)	RU : - RU
() : SQL ON (TIGHT)	RV : - RV
< > : UNLOCK	RX : - RX
[] : LAMP ON	SV : - SV
() : ATT ON	SU : - SU

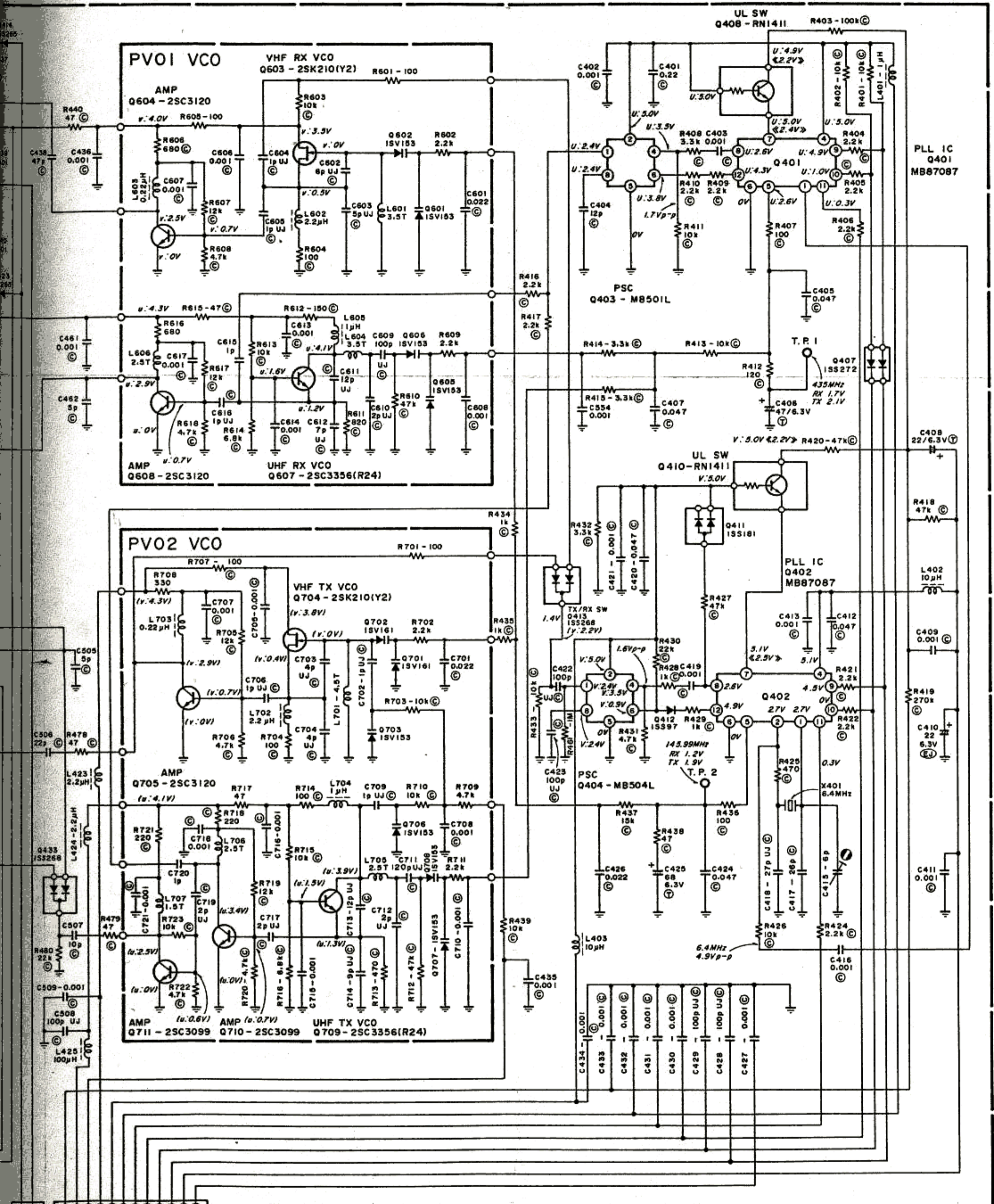


Schematheek
 Beh. T. Hultermans
 Postbus 4228
 5604 EE Eindhoven



NOTES:

1. REFER TO PARTS LIST FOR COMPONENT VALUES.
2. UNLESS OTHERWISE NOTED RESISTOR VALUES ARE IN OHMS, AND CAPACITOR VALUES ARE IN MICROFARADS.
3. VOLTAGE NOTATIONS ARE AS FOLLOWS:
V: - VHF TX/RX
U: - UHF TX/RX
v: - VHF RX
(v: -) VHF TX
u: - UHF RX
(u: -) UHF TX
RX: - RX
NOMARKING: V
(): ATT
< > : UNLO



NOTES:
 1. REFER TO PARTS LIST FOR COMPONENT VALUES.
 2. UNLESS OTHERWISE NOTED RESISTOR VALUES ARE IN OHMS, AND CAPACITOR VALUES ARE IN MICROFARADS.

3. VOLTAGE NOTATIONS ARE AS FOLLOWS:
 V : - VHF TX/RX RX : - RX
 U : - UHF TX/RX NOMARKING : VHF RX SQL OFF
 v : - VHF RX () : ATT ON
 v- : - VHF TX <> : UNLOCK
 u : - UHF RX
 u- : - UHF TX