

IC33 1/3-3/3  
11074HC11FP

IC32  
UP07105568-304

Q301  
2SA1162Y

IC31  
HDG413388F6

IC37  
RH5VA43CA-T1

IC38  
RH5RE50A-T1

IC39 1/2-2/2  
N1121004H

- 87 (7) R310 2.2K
- 86 (8) R309 2.2K
- 85 (6) R318 1.5K
- 84 (4) R307 2.2K
- 83 (3) R308 2.2K
- 82 (2) R305 2.2K
- 81 (1) R304 2.2K
- 80 (9) R303 2.2K
- 79 (8) R302 2.2K
- 78 (10) R301 2.2K

- R300 10K
- R301 1K
- R302 1K
- R303 1K
- R304 1K
- R305 1K
- R306 1K
- R307 1K
- R308 1K
- R309 1K
- R310 1K

- C301 0.001/3
- C302 0.001/3
- C303 0.001/3
- C304 0.001/3
- C305 0.001/3
- C306 0.001/3
- C307 0.001/3
- C308 0.001/3
- C309 0.001/3
- C310 0.001/3

- L301 100uH
- L302 100uH
- L303 100uH
- L304 100uH
- L305 100uH
- L306 100uH
- L307 100uH
- L308 100uH
- L309 100uH
- L310 100uH

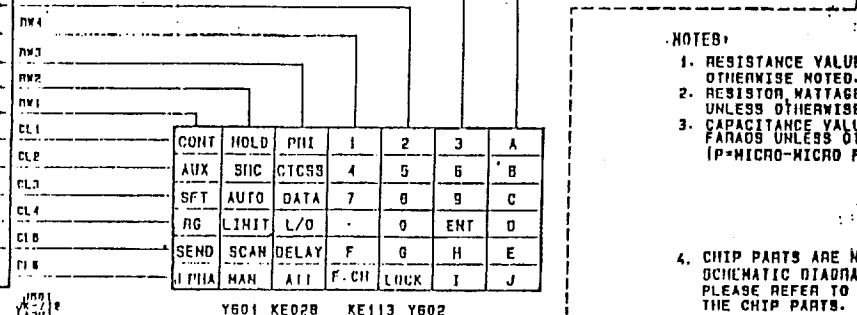
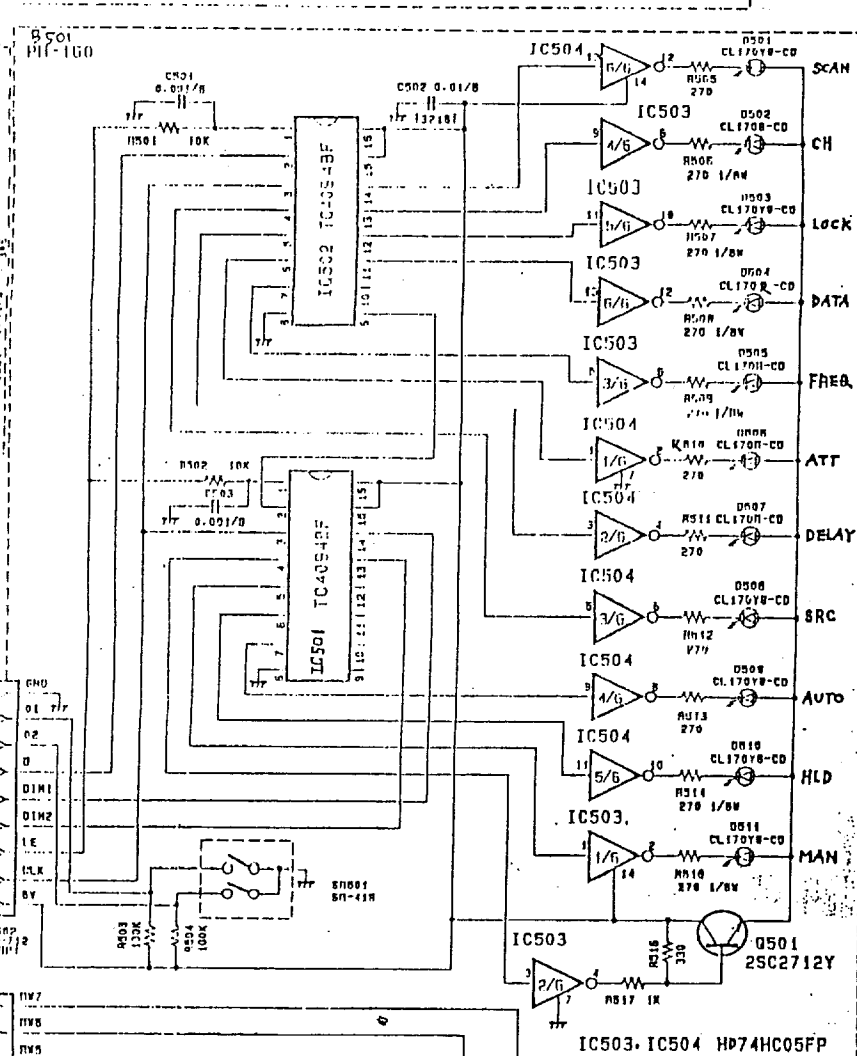
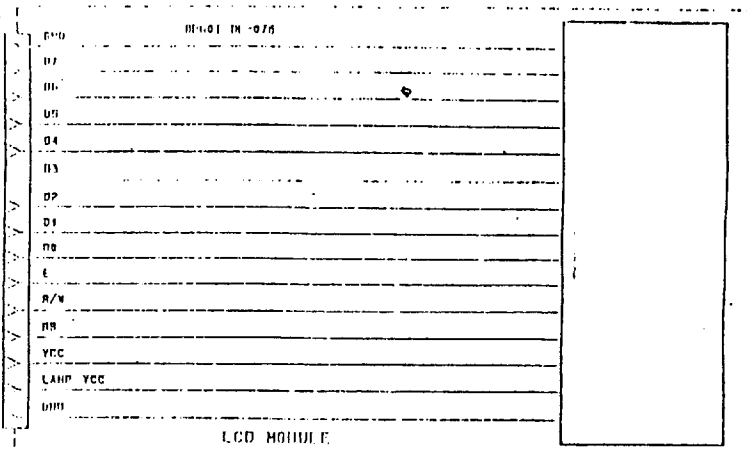
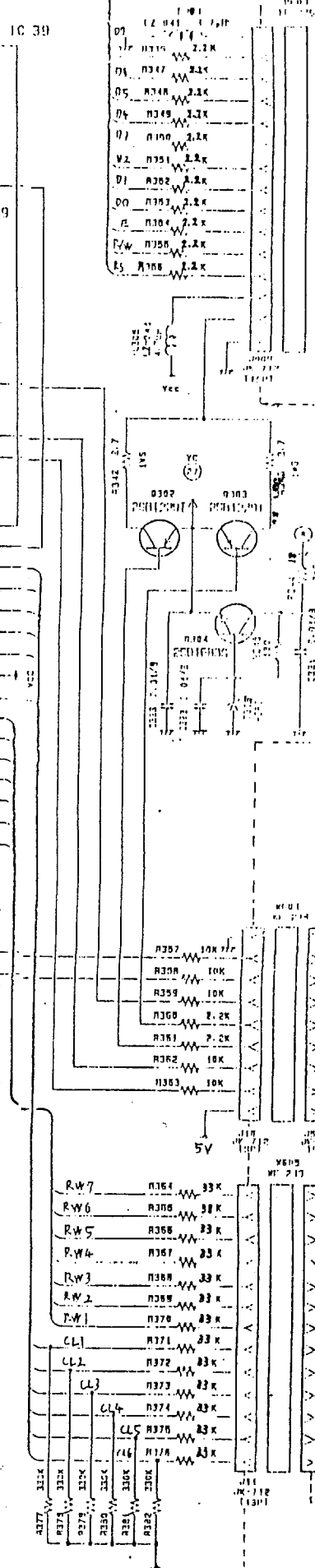
- D301 1N4148
- D302 1N4148
- D303 1N4148
- D304 1N4148
- D305 1N4148
- D306 1N4148
- D307 1N4148
- D308 1N4148
- D309 1N4148
- D310 1N4148

- U101 7474HC13BFP
- U102 7474HC13BFP
- U103 7474HC13BFP
- U104 7474HC13BFP
- U105 7474HC13BFP
- U106 7474HC13BFP
- U107 7474HC13BFP
- U108 7474HC13BFP
- U109 7474HC13BFP
- U110 7474HC13BFP

- U201 RH5VA43CA-T1
- U202 RH5RE50A-T1

- U301 2SA1162Y

UBC 9000 XL9



REVISIONS:

REV	LOT#	DATE	REV	CHKR
1	INITIAL	1994		
2	INITIAL	1994		
3	INITIAL	1994		
4	INITIAL	1994		
5	INITIAL	1994		
6	INITIAL	1994		
7	INITIAL	1994		
8	INITIAL	1994		
9	INITIAL	1994		
10	INITIAL	1994		
11	INITIAL	1994		
12	INITIAL	1994		
13	INITIAL	1994		
14	INITIAL	1994		
15	INITIAL	1994		
16	INITIAL	1994		
17	INITIAL	1994		
18	INITIAL	1994		
19	INITIAL	1994		
20	INITIAL	1994		

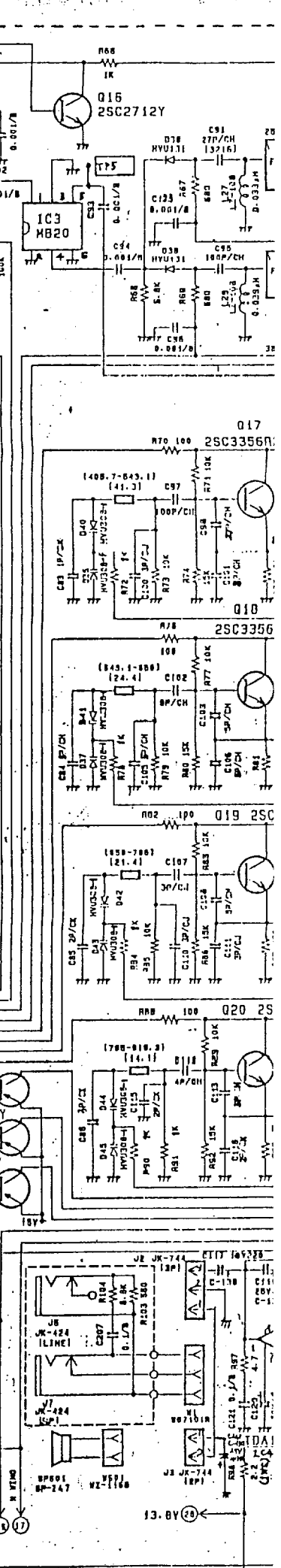
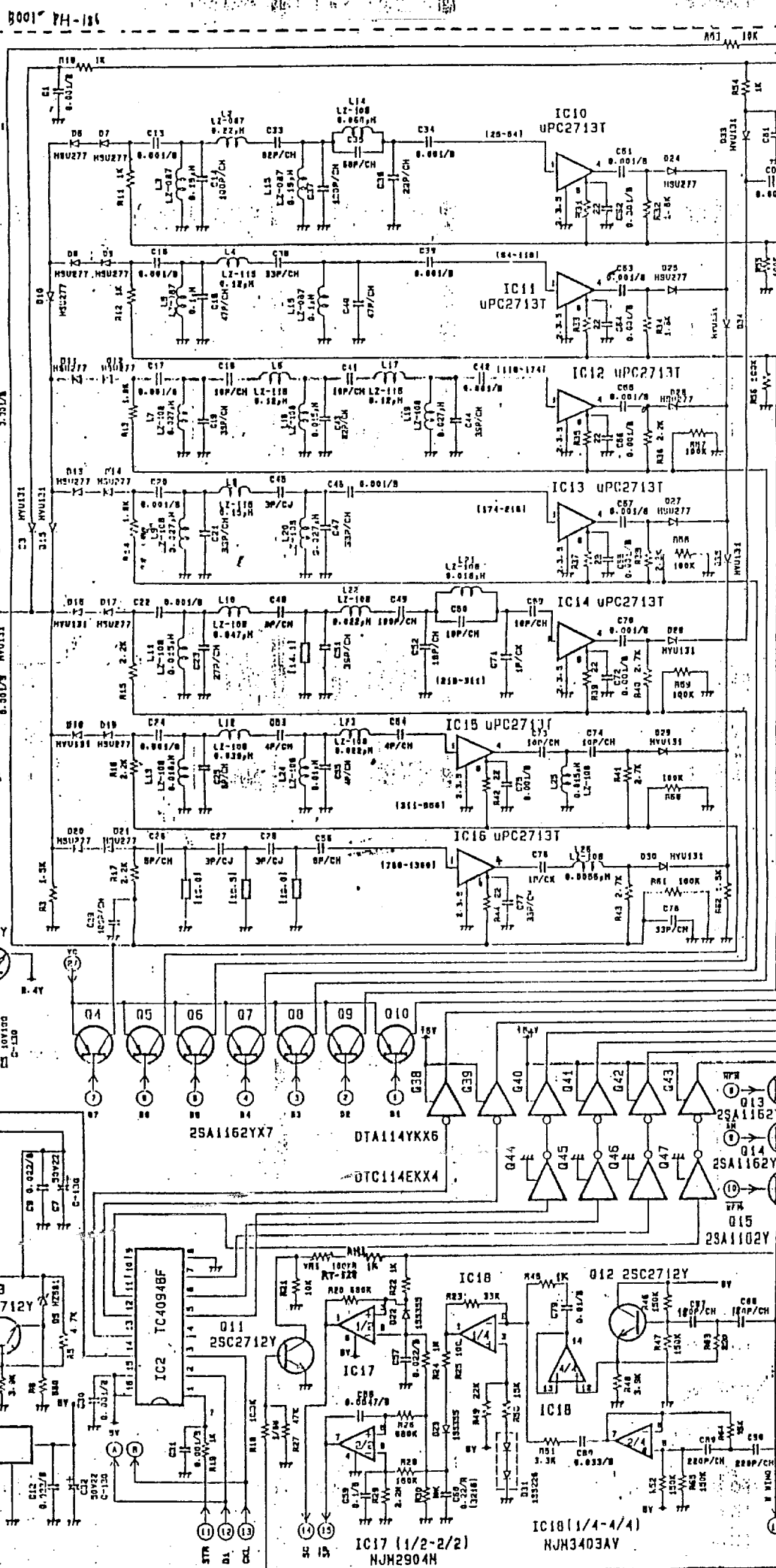
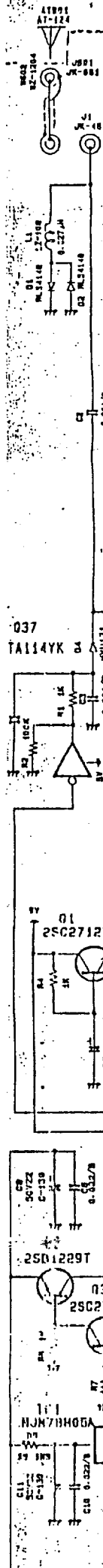
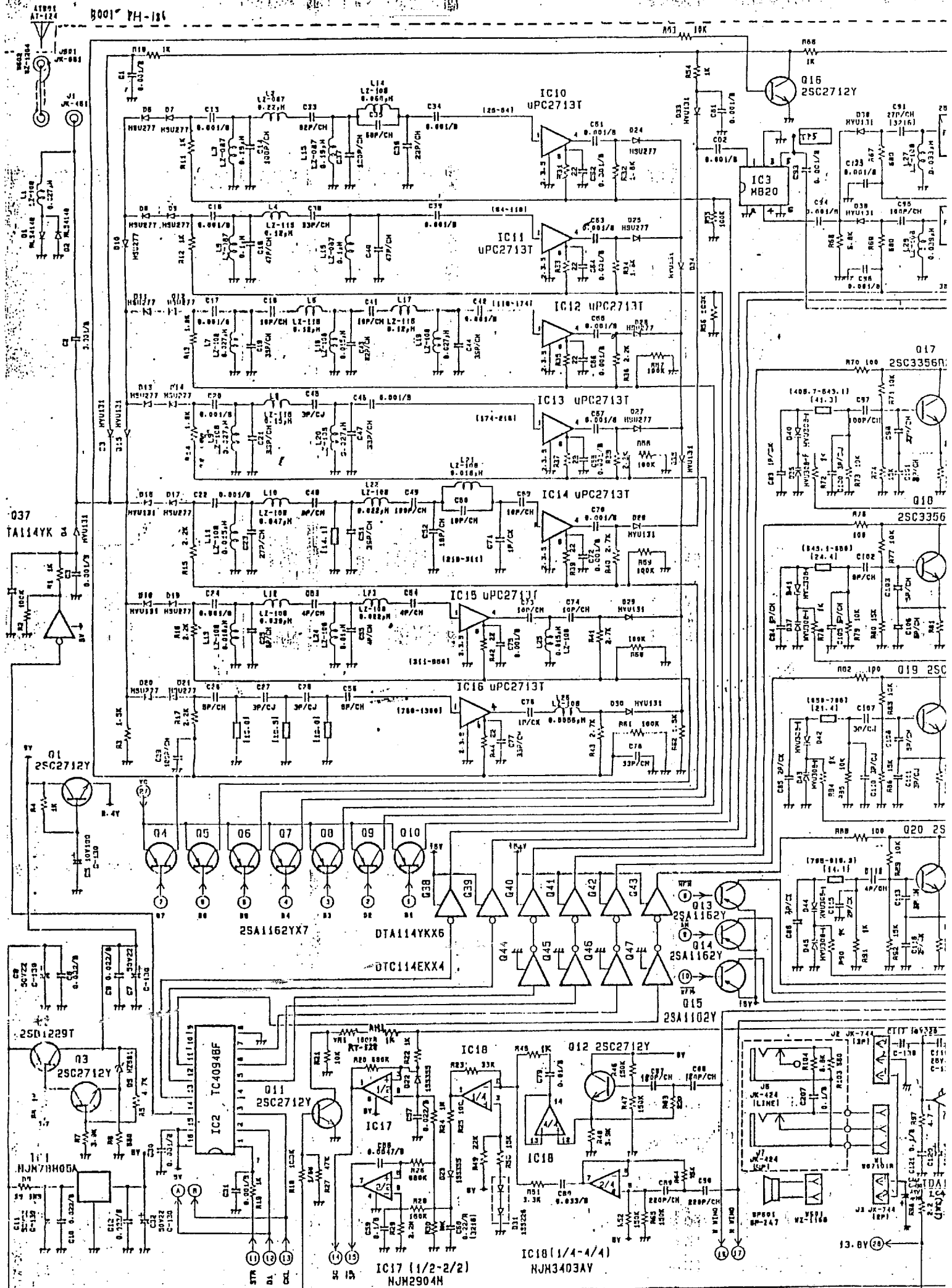
UNIDEN  
PHILIPINES, INC.  
CENTRALIZED DOCUMENT  
CONTROL CENTER  
REFERENCE COPY  
E12-4127  
6.10.6

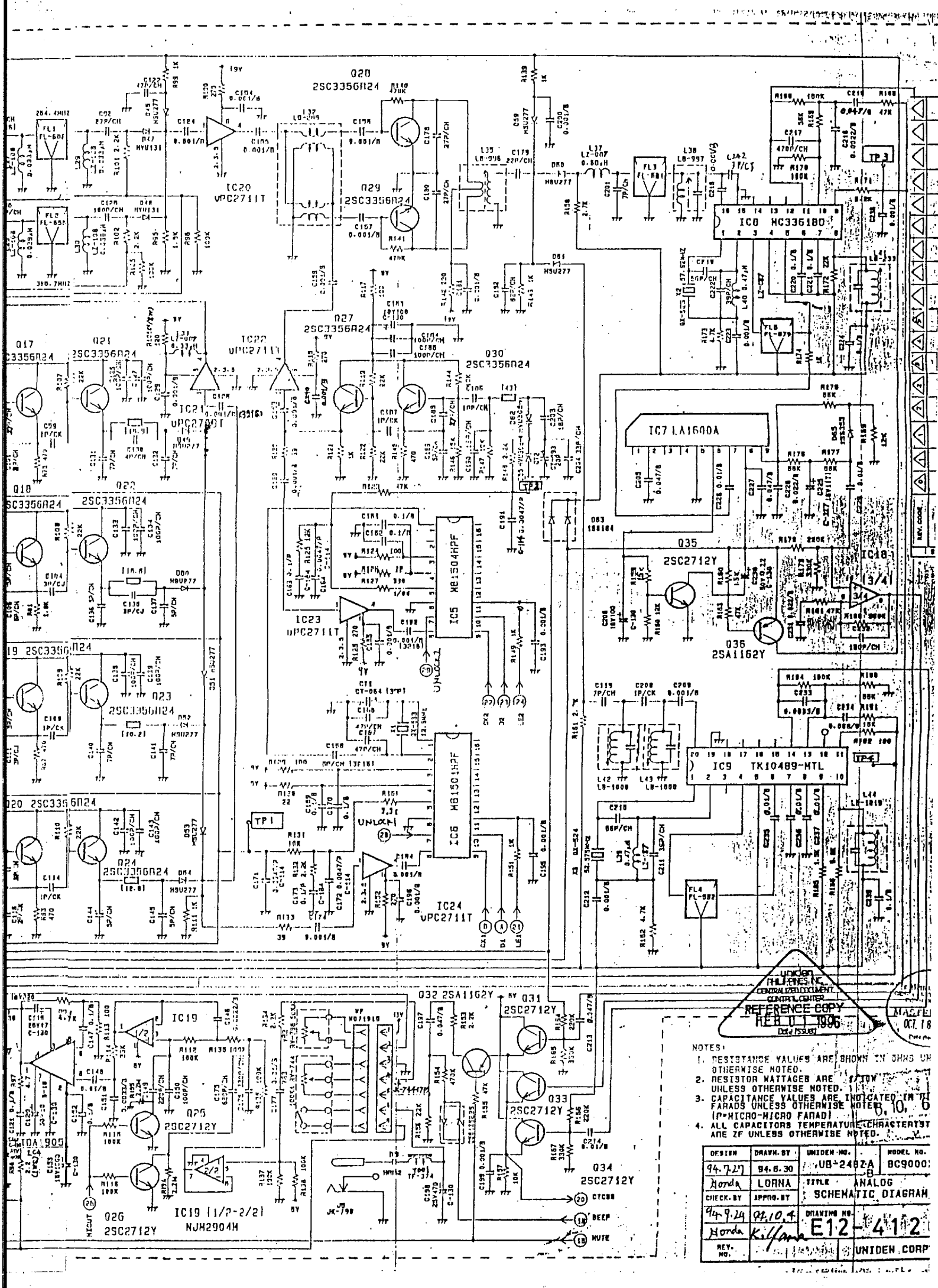
UNIDEN  
PHILIPINES, INC.  
CENTRALIZED DOCUMENT  
CONTROL CENTER  
MASTER COPY  
E12-4127  
6.10.6

- NOTES:
1. RESISTANCE VALUES ARE SHOWN IN OHMS UNLESS OTHERWISE NOTED.
  2. RESISTOR WATTAGES ARE 1/10W UNLESS OTHERWISE NOTED.
  3. CAPACITANCE VALUES ARE INDICATED IN MICRO FARADS UNLESS OTHERWISE NOTED. (IP-MICRO-MICRO FARAD)

4. CHIP PARTS ARE NOT SPECIFIED IN THIS SCHEMATIC DIAGRAM. PLEASE REFER TO THE PARTS LIST FOR THE CHIP PARTS.

DESIGN	DRAWN BY	UNIDEN NO.	MODEL NO.
94-93U	94.6.30	UB-2482A	BC9000XLT
0-Nordh	LOPNA	TITLE	NICOM
CHECK BY	APPROV BY	SCHEMATIC DIAGRAM	
0-Nordh	K. L. J.	DRAWING NO.	E12-4127
REV. NO.		UNIDEN CORP.	





UNIDEN  
 ELECTRONICS, INC.  
 CENTRAL DEPARTMENT  
 ELECTRONIC CENTER  
 BOSTON, MASS. 02111  
 REFERENCE COPY  
 FEB 11 1986  
 Date Issued

- NOTES:
1. RESISTANCE VALUES ARE SHOWN IN OHMS UNLESS OTHERWISE NOTED.
  2. RESISTOR WATTAGES ARE 1/8 WATT UNLESS OTHERWISE NOTED.
  3. CAPACITANCE VALUES ARE INDICATED IN μF (MICRO-FARADS) UNLESS OTHERWISE NOTED. 10, 6 (10-MICRO-MICRO FARAD)
  4. ALL CAPACITORS TEMPERATURE CHARACTERISTICS ARE 2F UNLESS OTHERWISE NOTED.

DESIGN	DRAWN BY	UNIDEN NO.	MODEL NO.
94-7-27	94.6.30	UB-2462A	BC9000
Horoda	LORNA	TTTLK	ANALOG
CHECK BY	APPRO. BY	SCHEMATIC DIAGRAM	
94.9.24	94.10.4	DRAWING NO.	E12-412
Horoda	Kellman	REV. NO.	UNIDEN CORP

Q34 25C2712Y  
 Q33 25C2712Y  
 Q32 25A1162Y  
 Q31 25C2712Y  
 Q30 25C3356R24  
 Q29 25C3356R24  
 Q28 25C3356R24  
 Q27 25C3356R24  
 Q26 NJM2904H  
 Q25 NJM2904H

TP-3  
 TP-4