

Data Management Unit

DMU-2000

Technical Supplement

©2006 VERTEX STANDARD CO., LTD. Printed in Japan.
EAE96X90A

VERTEX STANDARD CO., LTD.
4-8-8 Nakameguro, Meguro-Ku, Tokyo 153-8644, Japan

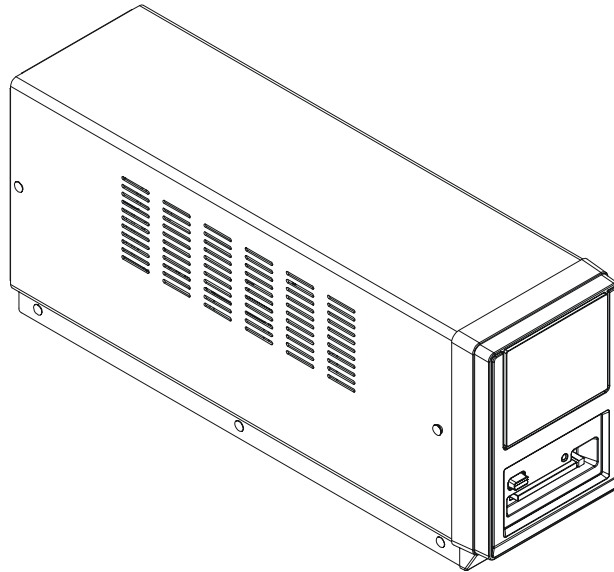
VERTEX STANDARD
US Headquarters
10900 Walker Street, Cypress, CA 90630, U.S.A.

YAESU EUROPE B.V.
P.O. Box 75525, 1118 ZN Schiphol, The Netherlands

YAESU UK LTD.
Unit 12, Sun Valley Business Park, Winnall Close
Winchester, Hampshire, SO23 0LB, U.K.

VERTEX STANDARD HK LTD.
Unit 5, 20/F., Seaview Centre, 139-141 Hoi Bun Road,
Kwun Tong, Kowloon, Hong Kong

VERTEX STANDARD (AUSTRALIA) PTY., LTD.
Normanby Business Park, Unit 14/45 Normanby Road
Notting Hill 3168, Victoria, Australia



Supplied Parts

SCOPE Unit (p/n: CS1898001)	1 pc
CF Card(128 MB) (p/n: Q9000855)	1 pc
AC Power Cord	1 pc
(p/n: T9017882: USA / T9013285: Europe / T9013283A: Australia)	
Connection Cable (p/n: T9101560)	1 pc
3.15A Spare Fuse (p/n: Q00000096)	1 pc
Screws ASM3X6NI (p/n: U03306002)	4 pcs

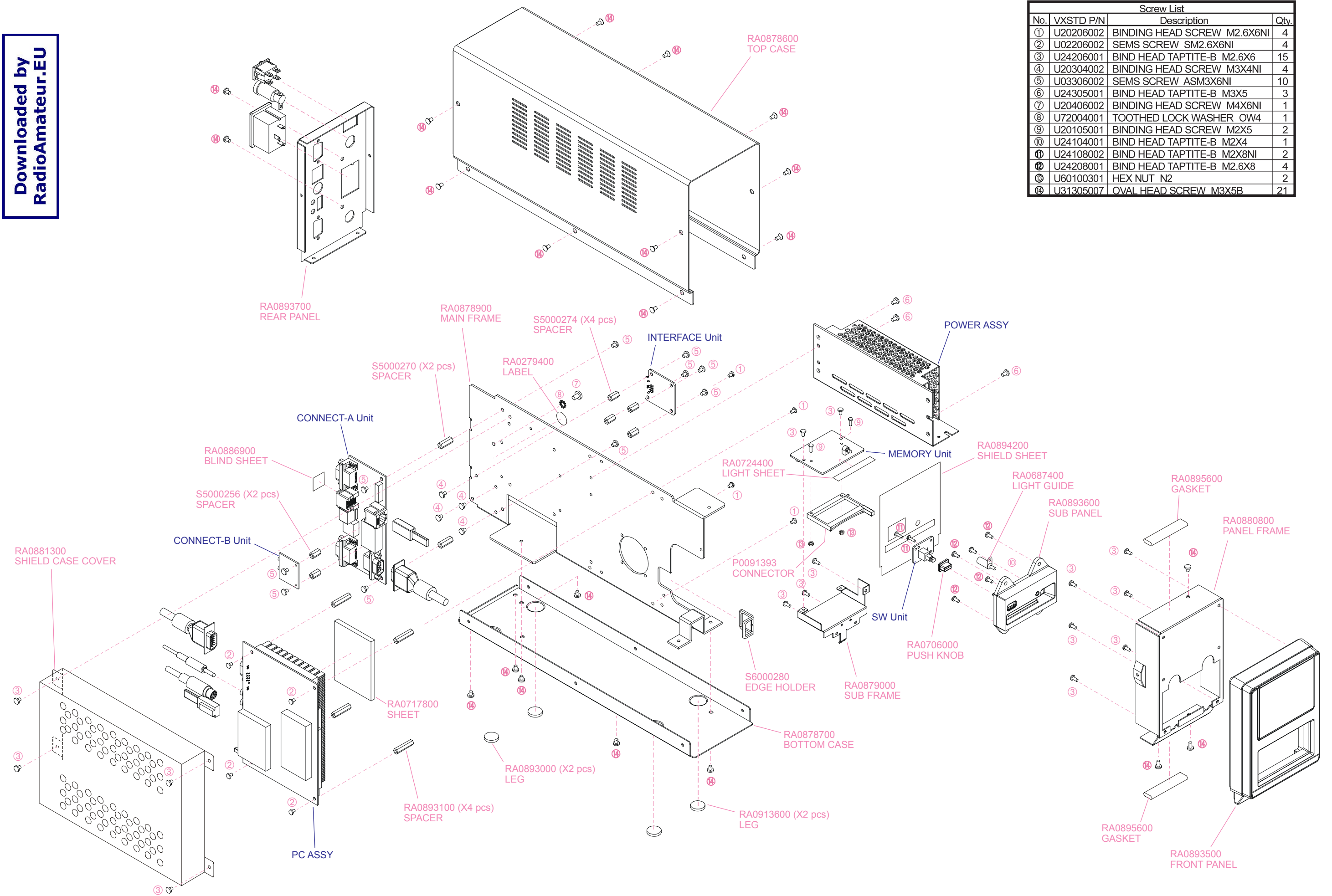
Specifications

Supply Voltage:	100 VAC ~ 240 VAC, 50/60 Hz (Universal)
Power Consumption (Approx.):	50 VA
Dimensions (WxHxD):	3.9" x 5.3" x 13.8" (100 x 135 x 350 mm)
Weight (Approx.):	6.8 lbs (3.1 kg)

Downloaded by
RadioAmateur.EU

Exploded Views & Mechanical Parts

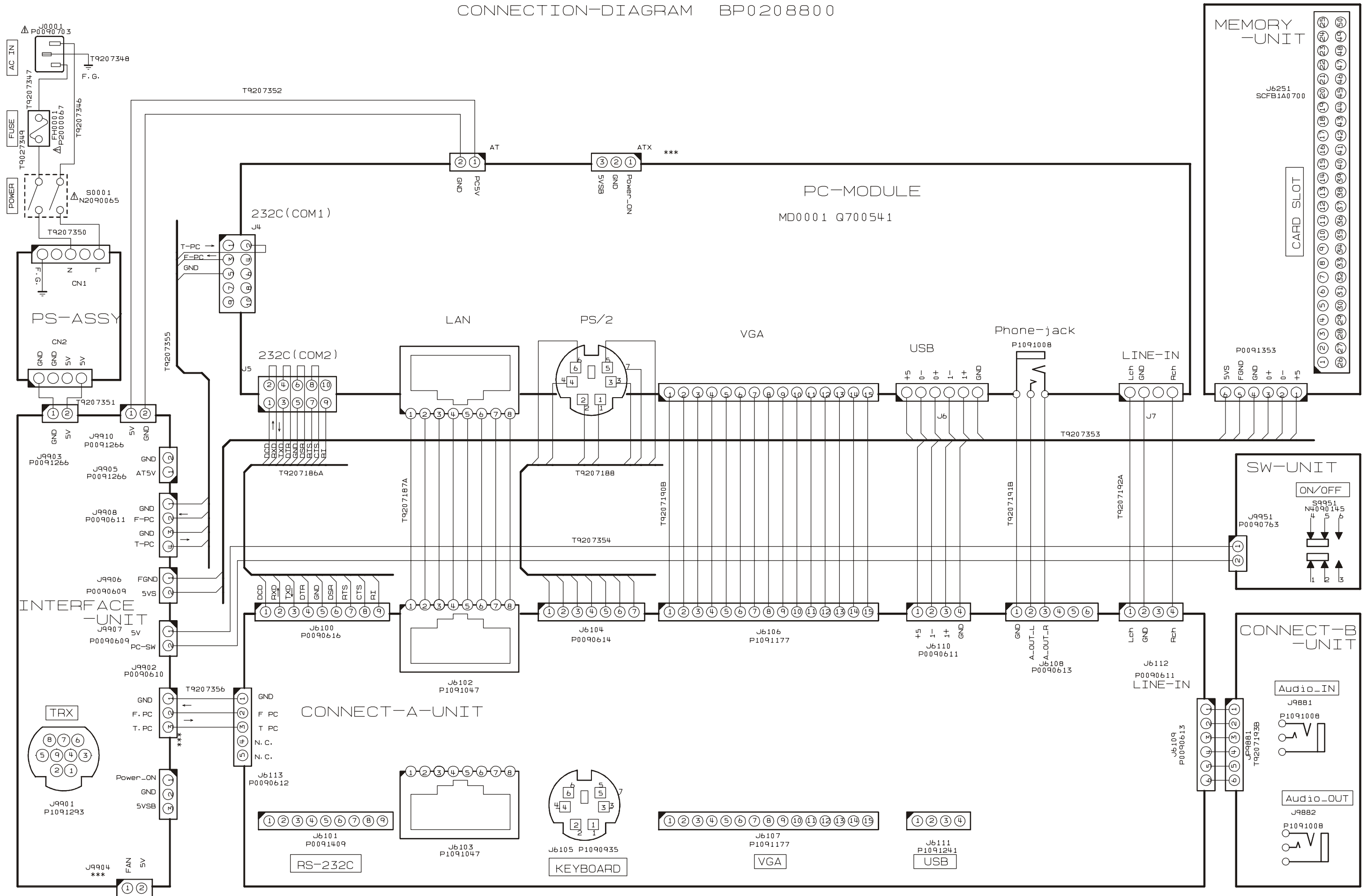
Downloaded by
RadioAmateur.EU



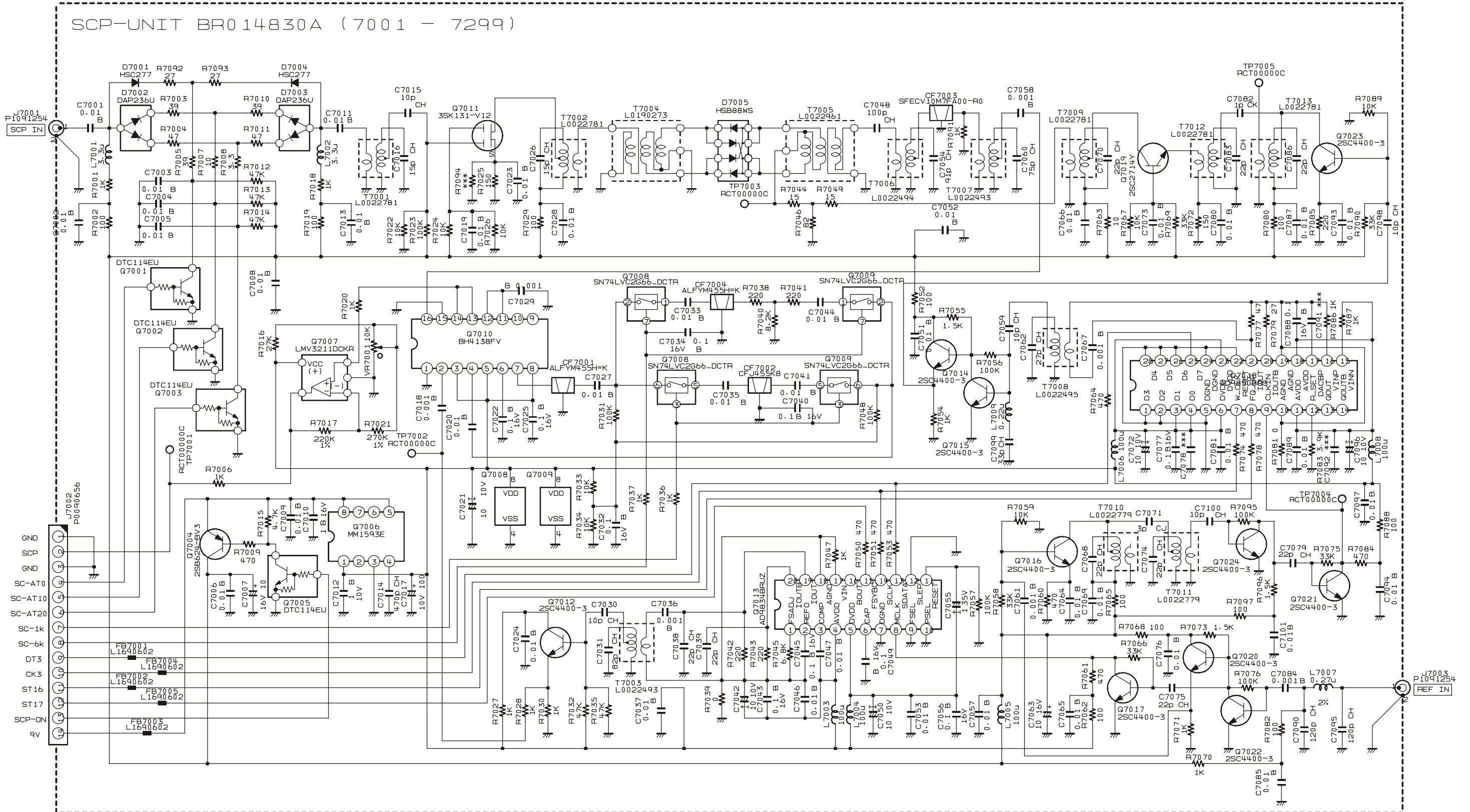
Screw List			
No.	VXSTD P/N	Description	Qty.
①	U20206002	BINDING HEAD SCREW M2.6X6NI	4
②	U02206002	SEMS SCREW SM2.6X6NI	4
③	U24206001	BIND HEAD TAPTITE-B M2.6X6	15
④	U20304002	BINDING HEAD SCREW M3X4NI	4
⑤	U03306002	SEMS SCREW ASM3X6NI	10
⑥	U24305001	BIND HEAD TAPTITE-B M3X5	3
⑦	U20406002	BINDING HEAD SCREW M4X6NI	1
⑧	U72004001	TOOTHED LOCK WASHER OW4	1
⑨	U20105001	BINDING HEAD SCREW M2X5	2
⑩	U24104001	BIND HEAD TAPTITE-B M2X4	1
⑪	U24108002	BIND HEAD TAPTITE-B M2X8NI	2
⑫	U24208001	BIND HEAD TAPTITE-B M2.6X8	4
⑬	U60100301	HEX NUT N2	2
⑭	U31305007	OVAL HEAD SCREW M3X5B	21

Connection Diagram

CONNECTION-DIAGRAM BP0208800

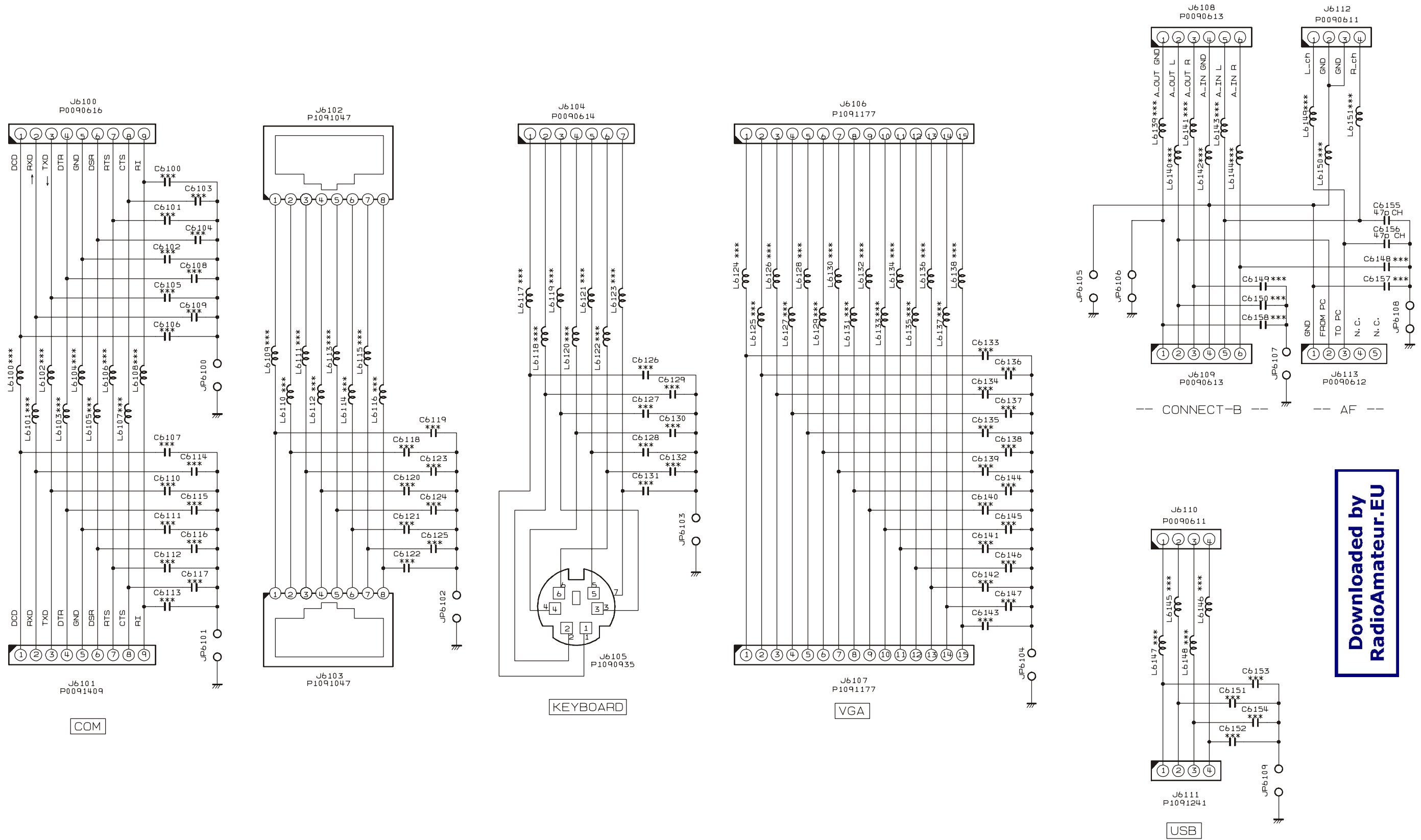


SCOPE (SCP)-UNIT Circuit Diagram



CONNECT-A-UNIT Circuit Diagram

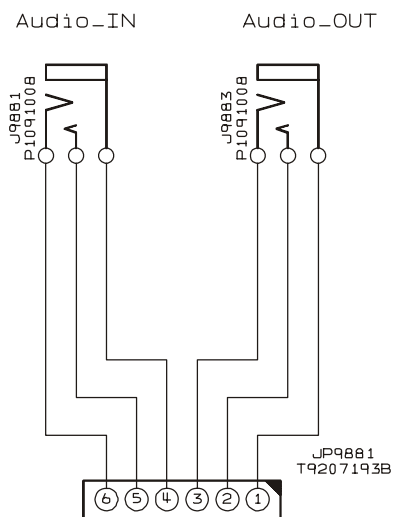
CONNECT-A-UNIT BR0 12800C
(6100-6190)



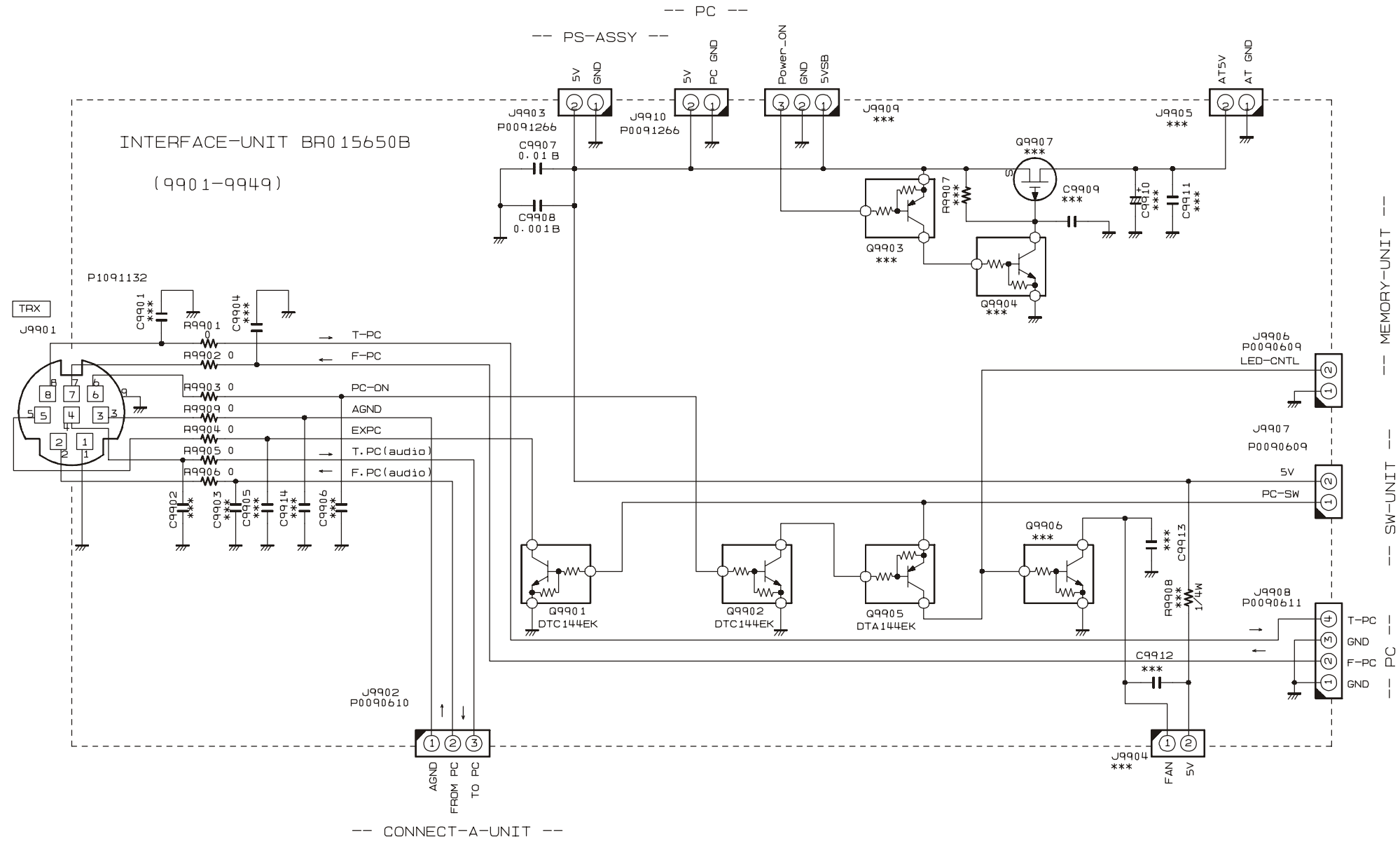
Downloaded by
RadioAmateur.EU

CONNECT-B-UNIT Circuit Diagram

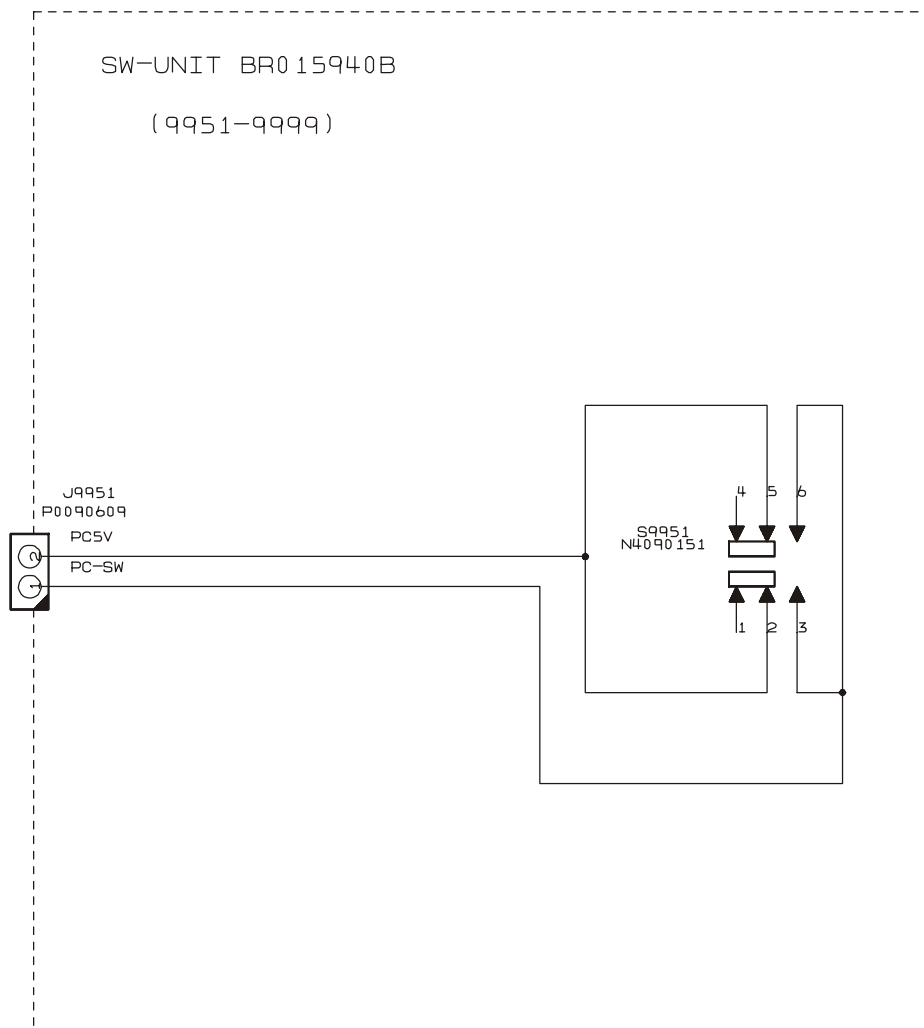
CONNECT-B-UNIT BR0 128 10B
(9881-9899)



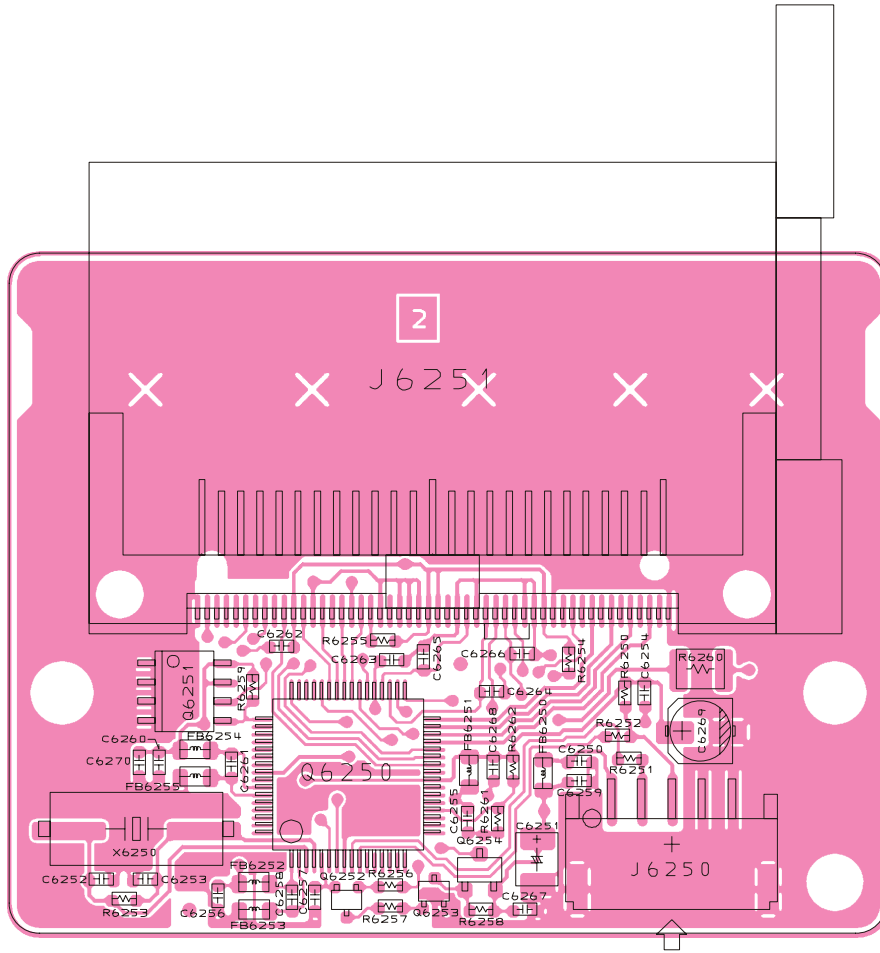
INTERFACE-UNIT Circuit Diagram



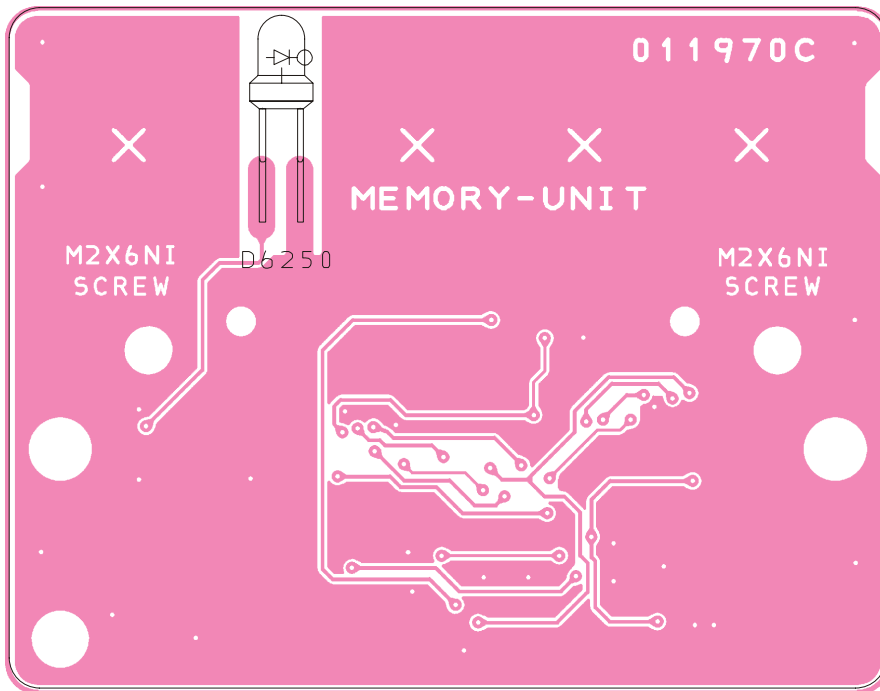
SW-UNIT Circuit Diagram



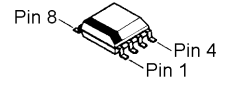
MEMORY-UNIT Parts Layout



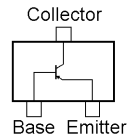
Component side



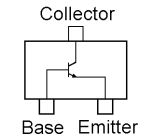
Solder side



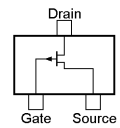
24LC02BT1
(Q6251)



2SA1602A (MF)
(Q6252)

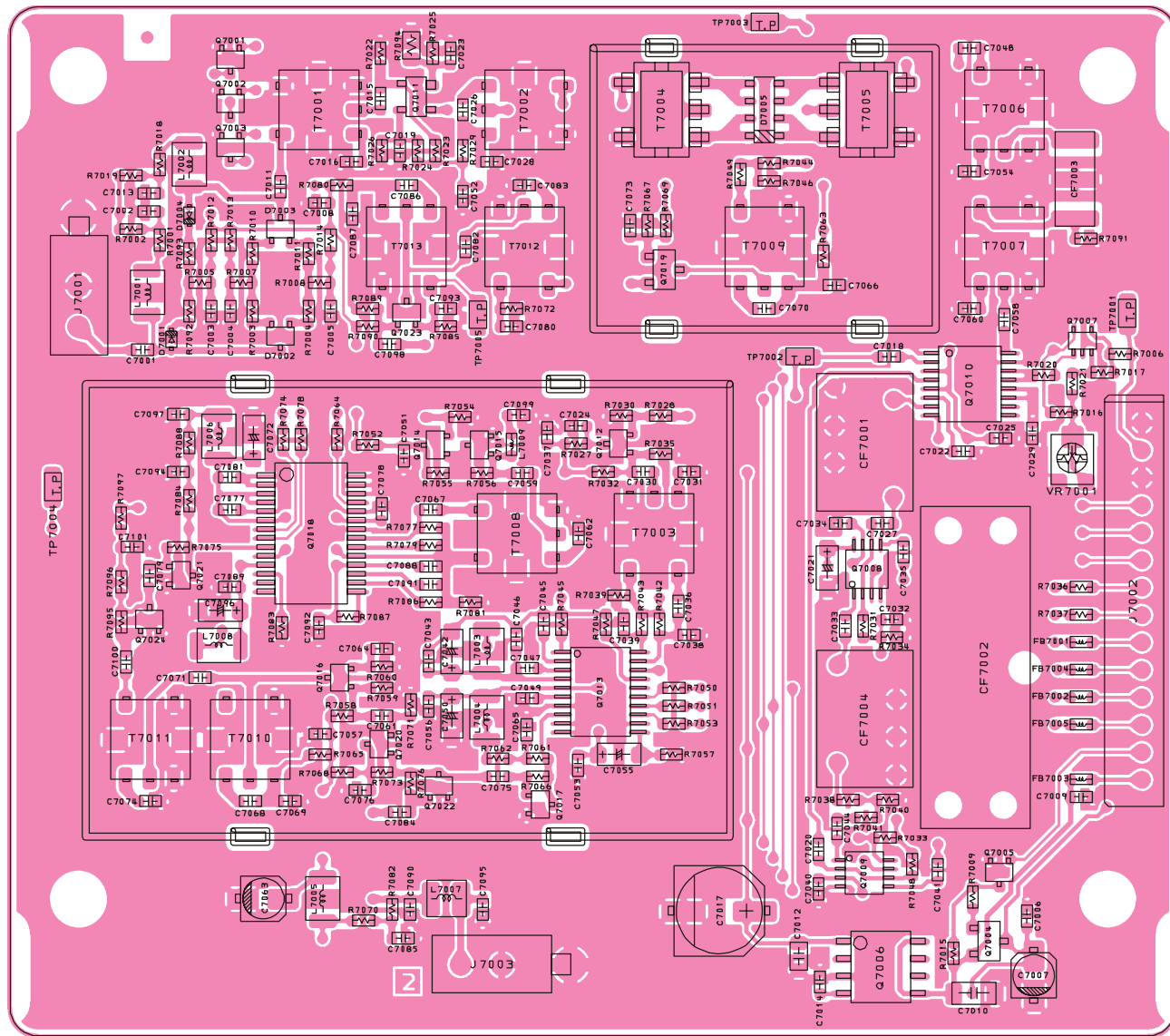


2SC4154E (E)
(Q6253)

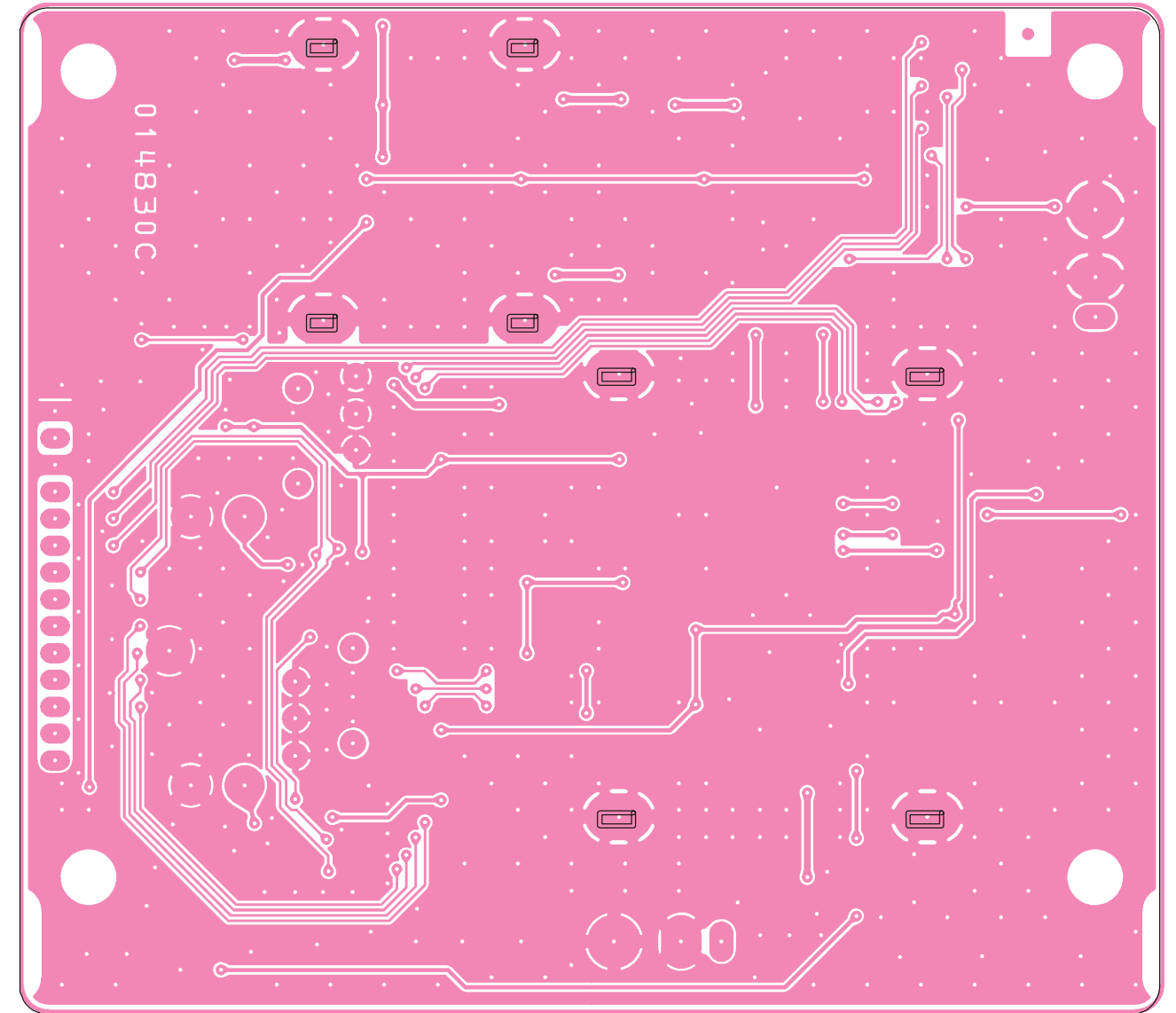


2SJ204 (H15)
(Q6254)

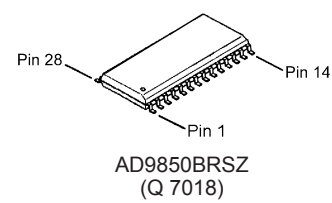
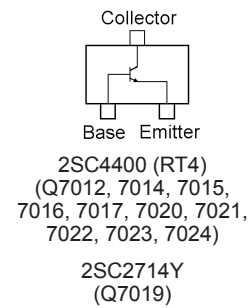
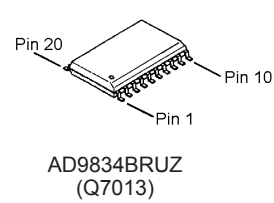
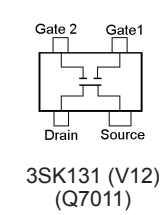
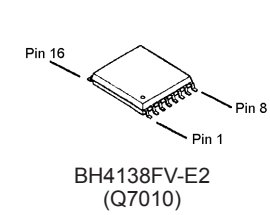
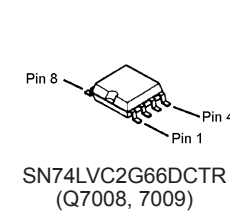
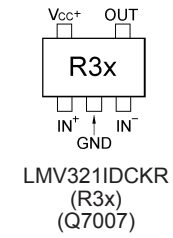
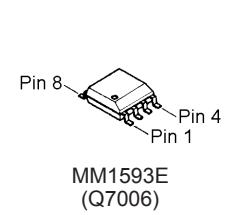
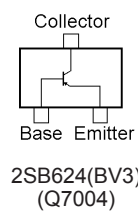
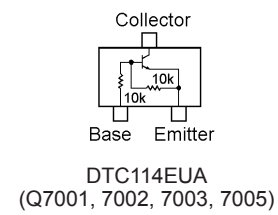
SCOPE (SCP)-UNIT Parts Layout



side A

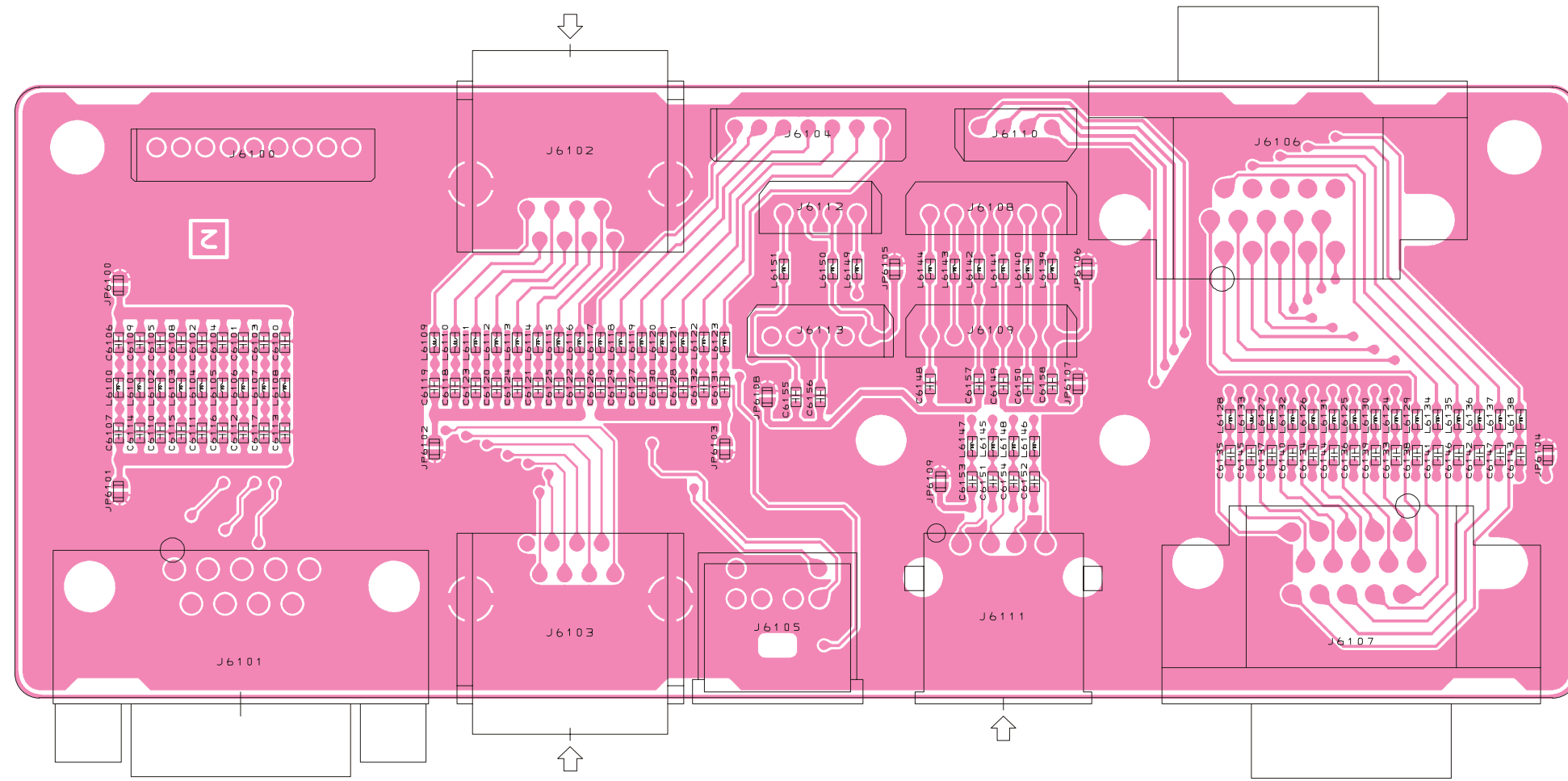


side B

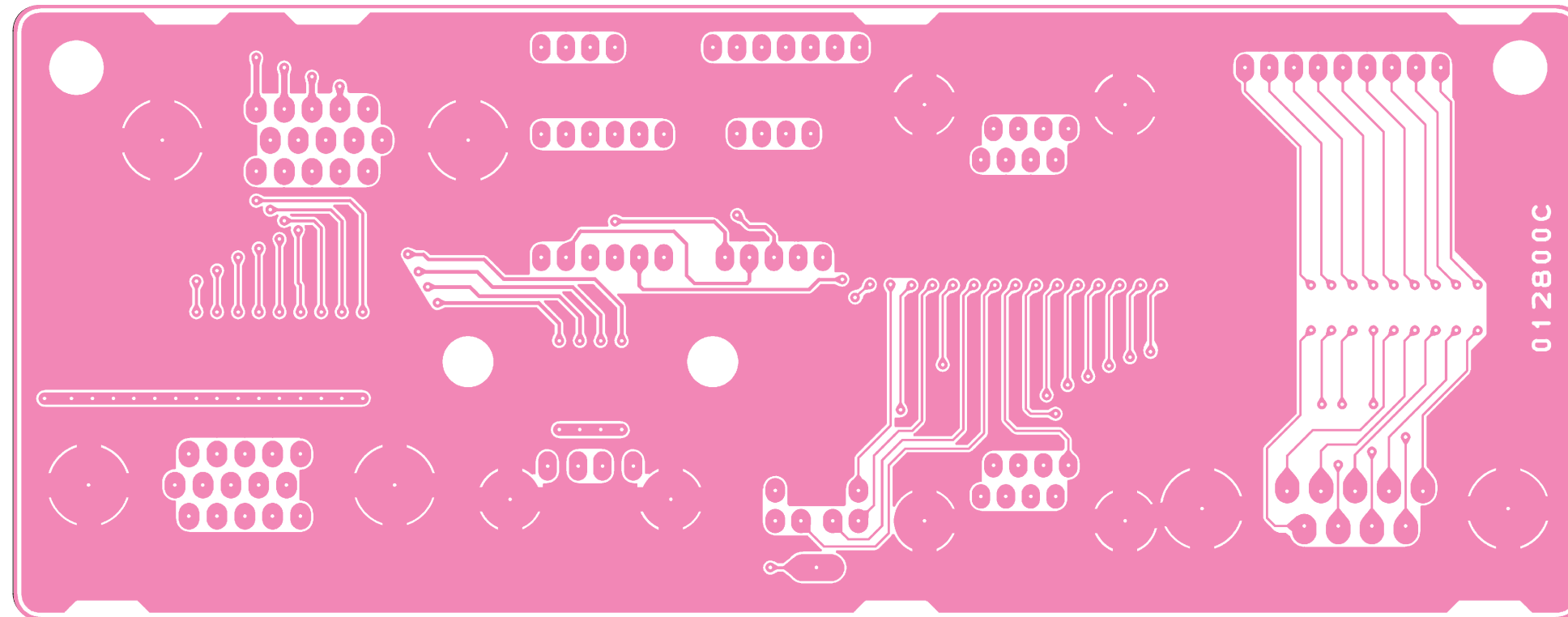


Downloaded by
RadioAmateur.EU

CONNECT-A-UNIT Circuit Diagram

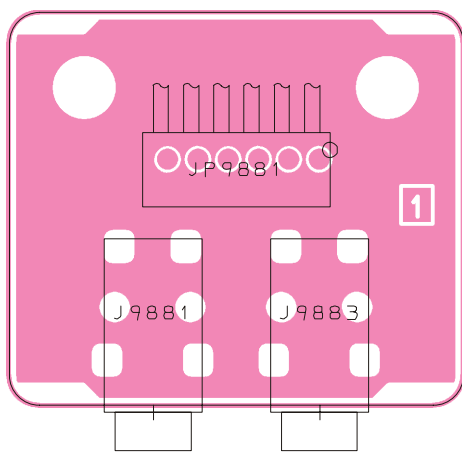


side A

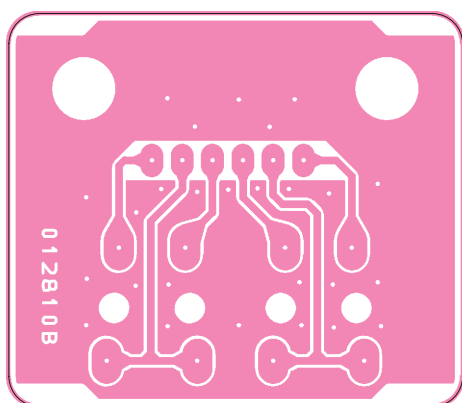


side B

CONNECT-B-UNIT Parts Layout

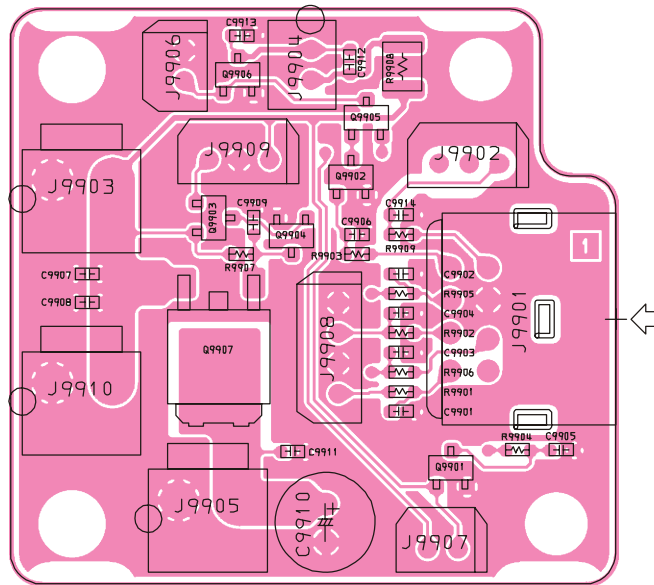


side A

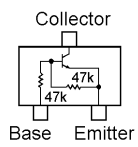


side B

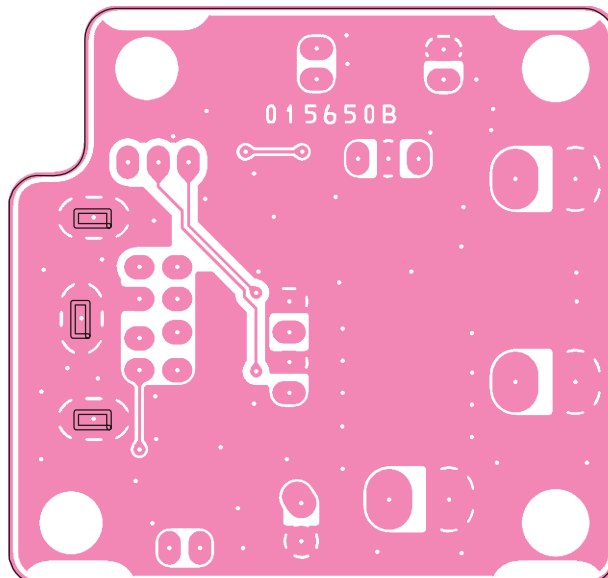
INTERFACE-UNIT Parts Layout



Component side

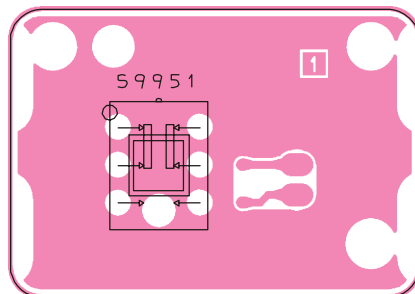


DTC144EK T146
(Q 9901, 9902, 9905)

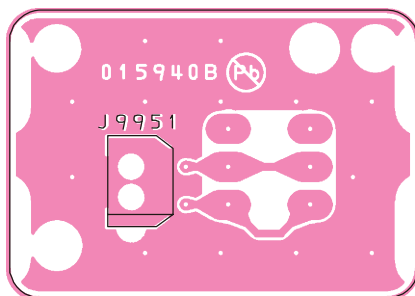


Solder side

SW-UNIT Parts Layout



side A



side B

**Downloaded by
RadioAmateur.EU**

Parts List (1/6)

REF	DESCRIPTION	VALUE	V/W	TOL.	MFR'S DESIG	VXSTD P/N	VERS.	LOT	SIDE	LAY ADR
*** MEMORY-UNIT ***										
	PCB with Components					CB3754001				
	Printed Circuit Board					FR0119700		1-		
C 6250	CHIP CAP.	0.1uF	16V	B	GRM188B11C104KA01D	K22124805		1-		
C 6251	CHIP TA.CAP.	10uF	16V		TEMSVB21C106M-8R	K78120025		1-		
C 6252	CHIP CAP.	18pF	50V	CH	GRM1882C1H180JA01D	K22174217		1-		
C 6253	CHIP CAP.	18pF	50V	CH	GRM1882C1H180JA01D	K22174217		1-		
C 6254	CHIP CAP.	0.1uF	16V	B	GRM188B11C104KA01D	K22124805		1-		
C 6255	CHIP CAP.	0.1uF	16V	B	GRM188B11C104KA01D	K22124805		1-		
C 6256	CHIP CAP.	0.1uF	16V	B	GRM188B11C104KA01D	K22124805		1-		
C 6257	CHIP CAP.	0.1uF	16V	B	GRM188B11C104KA01D	K22124805		1-		
C 6258	CHIP CAP.	0.1uF	16V	B	GRM188B11C104KA01D	K22124805		1-		
C 6259	CHIP CAP.	0.1uF	16V	B	GRM188B11C104KA01D	K22124805		1-		
C 6260	CHIP CAP.	0.1uF	16V	B	GRM188B11C104KA01D	K22124805		1-		
C 6261	CHIP CAP.	0.1uF	16V	B	GRM188B11C104KA01D	K22124805		1-		
C 6262	CHIP CAP.	0.1uF	16V	B	GRM188B11C104KA01D	K22124805		1-		
C 6263	CHIP CAP.	47pF	50V	CH	GRM1882C1H470JA01D	K22174227		1-		
C 6264	CHIP CAP.	47pF	50V	CH	GRM1882C1H470JA01D	K22174227		1-		
C 6265	CHIP CAP.	47pF	50V	CH	GRM1882C1H470JA01D	K22174227		1-		
C 6266	CHIP CAP.	47pF	50V	CH	GRM1882C1H470JA01D	K22174227		1-		
C 6267	CHIP CAP.	0.01uF	50V	B	GRM188B11H103KA01D	K22174823		1-		
C 6268	CHIP CAP.	0.01uF	50V	B	GRM188B11H103KA01D	K22174823		1-		
C 6269	AL.ELECTRO.CAP.	1uF	50V		ECEV1HA010SR	K48170019		1-		
C 6270	CHIP CAP.	0.1uF	16V	B	GRM188B11C104KA01D	K22124805		1-		
D 6250	LED				FR3863X	G2090766		1-		
FB6250	FERRITE BEADS				BLM21AJ601SN1D	L9190109		1-		
FB6251	FERRITE BEADS				BLM21AJ601SN1D	L9190109		1-		
FB6252	FERRITE BEADS				BLM21AJ601SN1D	L9190109		1-		
FB6253	FERRITE BEADS				BLM21AJ601SN1D	L9190109		1-		
FB6254	FERRITE BEADS				BLM21AJ601SN1D	L9190109		1-		
FB6255	FERRITE BEADS				BLM21AJ601SN1D	L9190109		1-		
J 6250	CONNECTOR				S6B-PH-SM3-TB	P0091353		1-		
J 6251	CONNECTOR				SCFB1A0700	P0091393		1-		
Q 6250	IC				AU9362	G1094050		1-		
Q 6251	IC				24LC02BTI/SN(Å°É&Y,þ)	G1092237		1-		
Q 6252	TRANSISTOR				2SA1602A-T11-1F	G3116028F		1-		
Q 6253	TRANSISTOR				2SC4154-T11-1E	G3341548E		1-		
Q 6254	FET				2SJ204-T1B	G3702048		1-		
Q 6255	TRANSISTOR				DTC123JE TL	G3070323		1-		
R 6250	CHIP RES.	1.5k	1/16W	5%	RMC1/16 152JATP	J24185152		1-		
R 6251	CHIP RES.	39	1/16W	5%	RMC1/16 390JATP	J24185390		1-		
R 6252	CHIP RES.	39	1/16W	5%	RMC1/16 390JATP	J24185390		1-		
R 6253	CHIP RES.	1M	1/16W	5%	RMC1/16 105JATP	J24185105		1-		
R 6254	CHIP RES.	100k	1/16W	5%	RMC1/16 104JATP	J24185104		1-		
R 6255	CHIP RES.	10k	1/16W	5%	RMC1/16 103JATP	J24185103		1-		
R 6256	CHIP RES.	100k	1/16W	5%	RMC1/16 104JATP	J24185104		1-		
R 6257	CHIP RES.	100k	1/16W	5%	RMC1/16 104JATP	J24185104		1-		
R 6258	CHIP RES.	100k	1/16W	5%	RMC1/16 104JATP	J24185104		1-		
R 6259	CHIP RES.	10k	1/16W	5%	RMC1/16 103JATP	J24185103		1-		
R 6260	CHIP RES.	270	1/4W	5%	RMC1/4 271JATP	J24245271		1-		
R 6261	CHIP RES.	0	1/16W	5%	RMC1/16 000JATP	J24185000		1-		
X 6250	XTAL SX-1302	12MHz			(HDA2810) 12MHZ	H0103299		1-		
	LED SPACER				LA-5-4	S6000417		1-		
	EJECTOR				SCFB2A0500	S5000250		1-		
*** SCP-UNIT ***										
	PCB with Components					CS1898001				
	Printed Circuit Board					FR0148300		1-		
C 7001	CHIP CAP.	0.01uF	50V	B	GRM188B11H103KA01D	K22174823		1-		
C 7002	CHIP CAP.	0.01uF	50V	B	GRM188B11H103KA01D	K22174823		1-		
C 7003	CHIP CAP.	0.01uF	50V	B	GRM188B11H103KA01D	K22174823		1-		
C 7004	CHIP CAP.	0.01uF	50V	B	GRM188B11H103KA01D	K22174823		1-		
C 7005	CHIP CAP.	0.01uF	50V	B	GRM188B11H103KA01D	K22174823		1-		
C 7006	CHIP CAP.	0.01uF	50V	B	GRM188B11H103KA01D	K22174823		1-		
C 7007	AL.ELECTRO.CAP.	10uF	16V		RV2-16V100MB55U-R	K48120014		1-		
C 7008	CHIP CAP.	0.01uF	50V	B	GRM188B11H103KA01D	K22174823		1-		
C 7009	CHIP CAP.	0.01uF	50V	B	GRM188B11H103KA01D	K22174823		1-		
C 7010	CHIP CAP.	1uF	16V	B	GRM42-6B105K16NPT	K22121803		1-		
C 7011	CHIP CAP.	0.01uF	50V	B	GRM188B11H103KA01D	K22174823		1-		
C 7012	CHIP CAP.	1uF	10V	B	GRM40B105K10PT	K22100802		1-		
C 7013	CHIP CAP.	0.01uF	50V	B	GRM188B11H103KA01D	K22174823		1-		
C 7014	CHIP CAP.	470pF	50V	CH	GRM1882C1H471JA01D	K22174249		1-		
C 7015	CHIP CAP.	10pF	50V	CH	GRM1882C1H100JA01D	K22174211		1-		

Parts List (2/6)

REF	DESCRIPTION	VALUE	V/W	TOL.	MFR'S DESIG	VXSTD P/N	VERS.	LOT	SIDE	LAY ADR
C 7016	CHIP CAP.	15pF	50V	CH	GRM1882C1H150JA01D	K22174215		1-		
C 7017	AL.ELECTRO.CAP.	100uF	10V		RVZ-10V101MF55U-R2	K48100008		1-		
C 7018	CHIP CAP.	0.001uF	50V	B	GRM188B11H102KA01D	K22174821		1-		
C 7019	CHIP CAP.	0.01uF	50V	B	GRM188B11H103KA01D	K22174823		1-		
C 7020	CHIP CAP.	0.01uF	50V	B	GRM188B11H103KA01D	K22174823		1-		
C 7021	CHIP TA.CAP.	10uF	10V		TEMSVA1A106M-8R	K78100028		1-		
C 7022	CHIP CAP.	0.1uF	16V	B	GRM188B11C104KA01D	K22124805		1-		
C 7023	CHIP CAP.	0.01uF	50V	B	GRM188B11H103KA01D	K22174823		1-		
C 7024	CHIP CAP.	0.01uF	50V	B	GRM188B11H103KA01D	K22174823		1-		
C 7025	CHIP CAP.	0.1uF	16V	B	GRM188B11C104KA01D	K22124805		1-		
C 7026	CHIP CAP.	15pF	50V	CH	GRM1882C1H150JA01D	K22174215		1-		
C 7027	CHIP CAP.	0.01uF	50V	B	GRM188B11H103KA01D	K22174823		1-		
C 7028	CHIP CAP.	0.01uF	50V	B	GRM188B11H103KA01D	K22174823		1-		
C 7029	CHIP CAP.	0.001uF	50V	B	GRM188B11H102KA01D	K22174821		1-		
C 7030	CHIP CAP.	10pF	50V	CH	GRM1882C1H100JA01D	K22174211		1-		
C 7031	CHIP CAP.	82pF	50V	CH	GRM1882C1H820JA01D	K22174233		1-		
C 7032	CHIP CAP.	0.1uF	16V	B	GRM188B11C104KA01D	K22124805		1-		
C 7033	CHIP CAP.	0.01uF	50V	B	GRM188B11H103KA01D	K22174823		1-		
C 7034	CHIP CAP.	0.1uF	16V	B	GRM188B11C104KA01D	K22124805		1-		
C 7035	CHIP CAP.	0.01uF	50V	B	GRM188B11H103KA01D	K22174823		1-		
C 7036	CHIP CAP.	0.001uF	50V	B	GRM188B11H102KA01D	K22174821		1-		
C 7037	CHIP CAP.	0.01uF	50V	B	GRM188B11H103KA01D	K22174823		1-		
C 7038	CHIP CAP.	22pF	50V	CH	GRM1882C1H220JA01D	K22174219		1-		
C 7039	CHIP CAP.	22pF	50V	CH	GRM1882C1H220JA01D	K22174219		1-		
C 7040	CHIP CAP.	0.1uF	16V	B	GRM188B11C104KA01D	K22124805		1-		
C 7041	CHIP CAP.	0.01uF	50V	B	GRM188B11H103KA01D	K22174823		1-		
C 7042	CHIP TA.CAP.	10uF	10V		TEMSVA1A106M-8R	K78100028		1-		
C 7043	CHIP CAP.	0.1uF	16V	B	GRM188B11C104KA01D	K22124805		1-		
C 7044	CHIP CAP.	0.01uF	50V	B	GRM188B11H103KA01D	K22174823		1-		
C 7045	CHIP CAP.	0.1uF	16V	B	GRM188B11C104KA01D	K22124805		1-		
C 7046	CHIP CAP.	0.01uF	50V	B	GRM188B11H103KA01D	K22174823		1-		
C 7047	CHIP CAP.	0.01uF	50V	B	GRM188B11H103KA01D	K22174823		1-		
C 7048	CHIP CAP.	100pF	50V	CH	GRM1882C1H101JA01D	K22174235		1-		
C 7049	CHIP CAP.	0.1uF	16V	B	GRM188B11C104KA01D	K22124805		1-		
C 7050	CHIP TA.CAP.	10uF	10V		TEMSVA1A106M-8R	K78100028		1-		
C 7051	CHIP CAP.	0.01uF	50V	B	GRM188B11H103KA01D	K22174823		1-		
C 7052	CHIP CAP.	0.01uF	50V	B	GRM188B11H103KA01D	K22174823		1-		
C 7053	CHIP CAP.	0.01uF	50V	B	GRM188B11H103KA01D	K22174823		1-		
C 7054	CHIP CAP.	91pF	50V	CH	GRM1882C1H910JZ01D	K22174234		1-		
C 7055	CHIP TA.CAP.	1uF	35V		TEMSVA1V105M-8R	K78160032		1-		
C 7056	CHIP CAP.	0.1uF	16V	B	GRM188B11C104KA01D	K22124805		1-		
C 7057	CHIP CAP.	0.01uF	50V	B	GRM188B11H103KA01D	K22174823		1-		
C 7058	CHIP CAP.	0.001uF	50V	B	GRM188B11H102KA01D	K22174821		1-		
C 7059	CHIP CAP.	10pF	50V	CH	GRM1882C1H100JA01D	K22174211		1-		
C 7060	CHIP CAP.	75pF	50V	CH	GRM1882C1H750JZ01D	K22174232		1-		
C 7061	CHIP CAP.	0.001uF	50V	B	GRM188B11H102KA01D	K22174821		1-		
C 7062	CHIP CAP.	27pF	50V	CH	GRM1882C1H270JA01D	K22174221		1-		
C 7063	AL.ELECTRO.CAP.	10uF	16V		RVZ-16V100MB55U-R	K48120014		1-		
C 7064	CHIP CAP.	0.01uF	50V	B	GRM188B11H103KA01D	K22174823		1-		
C 7065	CHIP CAP.	0.01uF	50V	B	GRM188B11H103KA01D	K22174823		1-		
C 7066	CHIP CAP.	0.01uF	50V	B	GRM188B11H103KA01D	K22174823		1-		
C 7067	CHIP CAP.	0.001uF	50V	B	GRM188B11H102KA01D	K22174821		1-		
C 7068	CHIP CAP.	22pF	50V	CH	GRM1882C1H220JA01D	K22174219		1-		
C 7069	CHIP CAP.	0.01uF	50V	B	GRM188B11H103KA01D	K22174823		1-		
C 7070	CHIP CAP.	22pF	50V	CH	GRM1882C1H220JA01D	K22174219		1-		
C 7071	CHIP CAP.	3pF	50V	CJ	GRM1883C1H3R0CZ01D	K22174204		1-		
C 7072	CHIP TA.CAP.	10uF	10V		TEMSVA1A106M-8R	K78100028		1-		
C 7073	CHIP CAP.	0.01uF	50V	B	GRM188B11H103KA01D	K22174823		1-		
C 7074	CHIP CAP.	22pF	50V	CH	GRM1882C1H220JA01D	K22174219		1-		
C 7075	CHIP CAP.	22pF	50V	CH	GRM1882C1H220JA01D	K22174219		1-		
C 7076	CHIP CAP.	0.01uF	50V	B	GRM188B11H103KA01D	K22174823		1-		
C 7077	CHIP CAP.	0.1uF	16V	B	GRM188B11C104KA01D	K22124805		1-		
C 7079	CHIP CAP.	22pF	50V	CH	GRM1882C1H220JA01D	K22174219		1-		
C 7080	CHIP CAP.	0.01uF	50V	B	GRM188B11H103KA01D	K22174823		1-		
C 7081	CHIP CAP.	0.01uF	50V	B	GRM188B11H103KA01D	K22174823		1-		
C 7082	CHIP CAP.	1pF	50V	CK	GRM1884C1H1R0CZ01D	K22174202		1-		
C 7083	CHIP CAP.	22pF	50V	CH	GRM1882C1H220JA01D	K22174219		1-		
C 7084	CHIP CAP.	0.001uF	50V	B	GRM188B11H102KA01D	K22174821		1-		
C 7085	CHIP CAP.	0.01uF	50V	B	GRM188B11H103KA01D	K22174823		1-		
C 7086	CHIP CAP.	22pF	50V	CH	GRM1882C1H220JA01D	K22174219		1-		
C 7087	CHIP CAP.	0.01uF	50V	B	GRM188B11H103KA01D	K22174823		1-		
C 7088	CHIP CAP.	0.1uF	16V	B	GRM188B11C104KA01D	K22124805		1-		

Parts List (3/6)

REF	DESCRIPTION	VALUE	V/W	TOL.	MFR'S DESIG	VXSTD P/N	VERS.	LOT	SIDE	LAY ADR
C 7089	CHIP CAP.	0.01uF	50V	B	GRM188B1H103KA01D	K22174823		1-		
C 7090	CHIP CAP.	120pF	50V	CH	GRM1882C1H121JA01D	K22174237		1-		
C 7093	CHIP CAP.	0.01uF	50V	B	GRM188B1H103KA01D	K22174823		1-		
C 7094	CHIP CAP.	0.01uF	50V	B	GRM188B1H103KA01D	K22174823		1-		
C 7095	CHIP CAP.	120pF	50V	CH	GRM1882C1H121JA01D	K22174237		1-		
C 7096	CHIP TA.CAP.	10uF	10V		TEMSVA1A106M-8R	K78100028		1-		
C 7097	CHIP CAP.	0.01uF	50V	B	GRM188B1H103KA01D	K22174823		1-		
C 7098	CHIP CAP.	10pF	50V	CH	GRM1882C1H100JA01D	K22174211		1-		
C 7099	CHIP CAP.	33pF	50V	CH	GRM1882C1H330JA01D	K22174223		1-		
C 7100	CHIP CAP.	10pF	50V	CH	GRM1882C1H100JA01D	K22174211		1-		
C 7101	CHIP CAP.	0.01uF	50V	B	GRM188B1H103KA01D	K22174823		1-		
CF7001	CERAMIC FILTER				ALFYM455H=K	H3900542		1-		
CF7002	CERAMIC FILTER				CFJ455K8	H3900553		1-		
CF7003	CERAMIC FILTER				SFECV10M7FA00-R0-TC	H3900537		1-		
CF7004	CERAMIC FILTER				ALFYM455H=K	H3900542		1-		
D 7001	DIODE				HSC277TRF-E	G2070584		1-		
D 7002	DIODE				DAP236U T106	G2070592		1-		
D 7003	DIODE				DAP236U T106	G2070592		1-		
D 7004	DIODE				HSC277TRF-E	G2070584		1-		
D 7005	DIODE				HSB88WSTR	G2070290		1-		
FB7001	CHIP COI				BLM18BD182SN1D	L1690602		1-		
FB7002	CHIP COI				BLM18BD182SN1D	L1690602		1-		
FB7003	CHIP COI				BLM18BD182SN1D	L1690602		1-		
FB7004	CHIP COI				BLM18BD182SN1D	L1690602		1-		
FB7005	CHIP COI				BLM18BD182SN1D	L1690602		1-		
J 7001	CONNECTOR				TMP-S01X-C1	P1091254		1-		
J 7002	CONNECTOR				SB20-14WS	P0090656		1-		
J 7003	CONNECTOR				TMP-S01X-C1	P1091254		1-		
L 7001	M.RFC	3.3uH			LLM3225-3R3J	L1691127		1-		
L 7002	M.RFC	3.3uH			LLM3225-3R3J	L1691127		1-		
L 7003	M.RFC	100uH			LLM3225-101J	L1691145		1-		
L 7004	M.RFC	100uH			LLM3225-101J	L1691145		1-		
L 7005	M.RFC	100uH			LLM3225-101J	L1691145		1-		
L 7006	M.RFC	100uH			LLM3225-101J	L1691145		1-		
L 7007	CHIP COIL	0.27uH		2%	C2520C-R27G	L1691299		1-		
L 7008	M.RFC	100uH			LLM3225-101J	L1691145		1-		
L 7009	M.RFC	0.22uH			HK1608 R22J-T	L1690940		1-		
Q 7001	TRANSISTOR				DTC114EUA T106	G3070084		1-		
Q 7002	TRANSISTOR				DTC114EUA T106	G3070084		1-		
Q 7003	TRANSISTOR				DTC114EUA T106	G3070084		1-		
Q 7004	TRANSISTOR				2SB624-T2B BV3	G3206247C		1-		
Q 7005	TRANSISTOR				DTC114EUA T106	G3070084		1-		
Q 7006	IC				MM1593E	G1094300		1-		
Q 7007	IC				LMV321IDCKR	G1093969		1-		
Q 7008	IC				SN74LVC2G66DCTR	G1094049		1-		
Q 7009	IC				SN74LVC2G66DCTR	G1094049		1-		
Q 7010	IC				BH4138FV-E2	G1093713		1-		
Q 7011	FET				3SK131-T2B V12	G4801317B		1-		
Q 7012	TRANSISTOR				2SC4400-3-TL	G3344008C		1-		
Q 7013	IC				AD9834BRUZ-REEL7	G1094297		1-		
Q 7014	TRANSISTOR				2SC4400-3-TL	G3344008C		1-		
Q 7015	TRANSISTOR				2SC4400-3-TL	G3344008C		1-		
Q 7016	TRANSISTOR				2SC4400-3-TL	G3344008C		1-		
Q 7017	TRANSISTOR				2SC4400-3-TL	G3344008C		1-		
Q 7018	IC				AD9850BRSZ-REEL	G1092567		1-		
Q 7019	TRANSISTOR				2SC2714Y(TE85R.F)	G3327147Y		1-		
Q 7020	TRANSISTOR				2SC4400-3-TL	G3344008C		1-		
Q 7021	TRANSISTOR				2SC4400-3-TL	G3344008C		1-		
Q 7022	TRANSISTOR				2SC4400-3-TL	G3344008C		1-		
Q 7023	TRANSISTOR				2SC4400-3-TL	G3344008C		1-		
Q 7024	TRANSISTOR				2SC4400-3-TL	G3344008C		1-		
R 7001	CHIP RES.	1k	1/16W	5%	RMC1/16 102JATP	J24185102		1-		
R 7002	CHIP RES.	100	1/16W	5%	RMC1/16 101JATP	J24185101		1-		
R 7003	CHIP RES.	39	1/16W	5%	RMC1/16 390JATP	J24185390		1-		
R 7004	CHIP RES.	47	1/16W	5%	RMC1/16 470JATP	J24185470		1-		
R 7005	CHIP RES.	39	1/16W	5%	RMC1/16 390JATP	J24185390		1-		
R 7006	CHIP RES.	1k	1/16W	5%	RMC1/16 102JATP	J24185102		1-		
R 7007	CHIP RES.	10	1/16W	5%	RMC1/16 100JATP	J24185100		1-		
R 7008	CHIP RES.	3.3	1/16W	5%	RMC1/16 3R3JATP	J24185339		1-		
R 7009	CHIP RES.	470	1/16W	5%	RMC1/16 471JATP	J24185471		1-		
R 7010	CHIP RES.	39	1/16W	5%	RMC1/16 390JATP	J24185390		1-		
R 7011	CHIP RES.	47	1/16W	5%	RMC1/16 470JATP	J24185470		1-		

Parts List (4/6)

REF	DESCRIPTION	VALUE	V/W	TOL.	MFR'S DESIG	VXSTD P/N	VERS.	LOT	SIDE	LAY ADR
R 7012	CHIP RES.	47k	1/16W	5%	RMC1/16 473JATP	J24185473		1-		
R 7013	CHIP RES.	47k	1/16W	5%	RMC1/16 473JATP	J24185473		1-		
R 7014	CHIP RES.	47k	1/16W	5%	RMC1/16 473JATP	J24185473		1-		
R 7015	CHIP RES.	4.7k	1/16W	5%	RMC1/16 472JATP	J24185472		1-		
R 7016	CHIP RES.	27k	1/16W	5%	RMC1/16 273JATP	J24185273		1-		
R 7017	CHIP RES.	220k	1/16W	1%	RMC1/16 224FTP	J24183224		1-		
R 7018	CHIP RES.	1k	1/16W	5%	RMC1/16 102JATP	J24185102		1-		
R 7019	CHIP RES.	100	1/16W	5%	RMC1/16 101JATP	J24185101		1-		
R 7020	CHIP RES.	1k	1/16W	5%	RMC1/16 102JATP	J24185102		1-		
R 7021	CHIP RES.	270k	1/16W	1%	RMC1/16 274FTP	J24183274		1-		
R 7022	CHIP RES.	10k	1/16W	5%	RMC1/16 103JATP	J24185103		1-		
R 7023	CHIP RES.	100k	1/16W	5%	RMC1/16 104JATP	J24185104		1-		
R 7024	CHIP RES.	10k	1/16W	5%	RMC1/16 103JATP	J24185103		1-		
R 7025	CHIP RES.	150	1/16W	5%	RMC1/16 151JATP	J24185151		1-		
R 7026	CHIP RES.	10k	1/16W	5%	RMC1/16 103JATP	J24185103		1-		
R 7027	CHIP RES.	1k	1/16W	5%	RMC1/16 102JATP	J24185102		1-		
R 7028	CHIP RES.	1k	1/16W	5%	RMC1/16 102JATP	J24185102		1-		
R 7029	CHIP RES.	100	1/16W	5%	RMC1/16 101JATP	J24185101		1-		
R 7030	CHIP RES.	1k	1/16W	5%	RMC1/16 102JATP	J24185102		1-		
R 7031	CHIP RES.	100k	1/16W	5%	RMC1/16 104JATP	J24185104		1-		
R 7032	CHIP RES.	47k	1/16W	5%	RMC1/16 473JATP	J24185473		1-		
R 7033	CHIP RES.	10k	1/16W	5%	RMC1/16 103JATP	J24185103		1-		
R 7034	CHIP RES.	10k	1/16W	5%	RMC1/16 103JATP	J24185103		1-		
R 7035	CHIP RES.	47k	1/16W	5%	RMC1/16 473JATP	J24185473		1-		
R 7036	CHIP RES.	1k	1/16W	5%	RMC1/16 102JATP	J24185102		1-		
R 7037	CHIP RES.	1k	1/16W	5%	RMC1/16 102JATP	J24185102		1-		
R 7038	CHIP RES.	220	1/16W	5%	RMC1/16 221JATP	J24185221		1-		
R 7039	CHIP RES.	0	1/16W	5%	RMC1/16 000JATP	J24185000		1-		
R 7040	CHIP RES.	8.2k	1/16W	5%	RMC1/16 822JATP	J24185822		1-		
R 7041	CHIP RES.	220	1/16W	5%	RMC1/16 221JATP	J24185221		1-		
R 7042	CHIP RES.	220	1/16W	5%	RMC1/16 221JATP	J24185221		1-		
R 7043	CHIP RES.	220	1/16W	5%	RMC1/16 221JATP	J24185221		1-		
R 7044	CHIP RES.	15	1/16W	5%	RMC1/16 150JATP	J24185150		1-		
R 7044	CHIP RES.	10	1/16W	5%	RMC1/16 100JATP	J24185100		3-		
R 7045	CHIP RES.	6.8k	1/16W	5%	RMC1/16 682JATP	J24185682		1-		
R 7046	CHIP RES.	82	1/16W	5%	RMC1/16 820JATP	J24185820		1-		
R 7046	CHIP RES.	150	1/16W	5%	RMC1/16 151JATP	J24185151		3-		
R 7047	CHIP RES.	1k	1/16W	5%	RMC1/16 102JATP	J24185102		1-		
R 7048	CHIP RES.	100k	1/16W	5%	RMC1/16 104JATP	J24185104		1-		
R 7049	CHIP RES.	15	1/16W	5%	RMC1/16 150JATP	J24185150		1-		
R 7049	CHIP RES.	10	1/16W	5%	RMC1/16 100JATP	J24185100		3-		
R 7050	CHIP RES.	470	1/16W	5%	RMC1/16 471JATP	J24185471		1-		
R 7051	CHIP RES.	470	1/16W	5%	RMC1/16 471JATP	J24185471		1-		
R 7052	CHIP RES.	100	1/16W	5%	RMC1/16 101JATP	J24185101		1-		
R 7053	CHIP RES.	470	1/16W	5%	RMC1/16 471JATP	J24185471		1-		
R 7054	CHIP RES.	1k	1/16W	5%	RMC1/16 102JATP	J24185102		1-		
R 7055	CHIP RES.	1.5k	1/16W	5%	RMC1/16 152JATP	J24185152		1-		
R 7056	CHIP RES.	100k	1/16W	5%	RMC1/16 104JATP	J24185104		1-		
R 7057	CHIP RES.	100k	1/16W	5%	RMC1/16 104JATP	J24185104		1-		
R 7058	CHIP RES.	33k	1/16W	5%	RMC1/16 333JATP	J24185333		1-		
R 7059	CHIP RES.	10k	1/16W	5%	RMC1/16 103JATP	J24185103		1-		
R 7060	CHIP RES.	470	1/16W	5%	RMC1/16 471JATP	J24185471		1-		
R 7061	CHIP RES.	470	1/16W	5%	RMC1/16 471JATP	J24185471		1-		
R 7062	CHIP RES.	100	1/16W	5%	RMC1/16 101JATP	J24185101		1-		
R 7063	CHIP RES.	10	1/16W	5%	RMC1/16 100JATP	J24185100		1-		
R 7064	CHIP RES.	470	1/16W	5%	RMC1/16 471JATP	J24185471		1-		
R 7065	CHIP RES.	100	1/16W	5%	RMC1/16 101JATP	J24185101		1-		
R 7066	CHIP RES.	33k	1/16W	5%	RMC1/16 333JATP	J24185333		1-		
R 7067	CHIP RES.	10k	1/16W	5%	RMC1/16 103JATP	J24185103		1-		
R 7068	CHIP RES.	100	1/16W	5%	RMC1/16 101JATP	J24185101		1-		
R 7069	CHIP RES.	33k	1/16W	5%	RMC1/16 333JATP	J24185333		1-		
R 7070	CHIP RES.	1k	1/16W	5%	RMC1/16 102JATP	J24185102		1-		
R 7071	CHIP RES.	1k	1/16W	5%	RMC1/16 102JATP	J24185102		1-		
R 7072	CHIP RES.	150	1/16W	5%	RMC1/16 151JATP	J24185151		1-		
R 7073	CHIP RES.	1.5k	1/16W	5%	RMC1/16 152JATP	J24185152		1-		
R 7074	CHIP RES.	470	1/16W	5%	RMC1/16 471JATP	J24185471		1-		
R 7075	CHIP RES.	33k	1/16W	5%	RMC1/16 333JATP	J24185333		1-		
R 7076	CHIP RES.	100k	1/16W	5%	RMC1/16 104JATP	J24185104		1-		
R 7077	CHIP RES.	47	1/16W	5%	RMC1/16 470JATP	J24185470		1-		
R 7078	CHIP RES.	470	1/16W	5%	RMC1/16 471JATP	J24185471		1-		
R 7079	CHIP RES.	27	1/16W	5%	RMC1/16 270JATP	J24185270		1-		
R 7080	CHIP RES.	100	1/16W	5%	RMC1/16 101JATP	J24185101		1-		

Parts List (5/6)

REF	DESCRIPTION	VALUE	V/W	TOL.	MFR'S DESIG	VXSTD P/N	VERS.	LOT	SIDE	LAY ADR
R 7081	CHIP RES.	0	1/16W	5%	RMC1/16 000JATP	J24185000		1-		
R 7082	CHIP RES.	100	1/16W	5%	RMC1/16 101JATP	J24185101		1-		
R 7083	CHIP RES.	3.9k	1/16W	5%	RMC1/16 392JATP	J24185392		1-		
R 7084	CHIP RES.	470	1/16W	5%	RMC1/16 471JATP	J24185471		1-		
R 7085	CHIP RES.	220	1/16W	5%	RMC1/16 221JATP	J24185221		1-		
R 7086	CHIP RES.	1k	1/16W	5%	RMC1/16 102JATP	J24185102		1-		
R 7087	CHIP RES.	1k	1/16W	5%	RMC1/16 102JATP	J24185102		1-		
R 7088	CHIP RES.	100	1/16W	5%	RMC1/16 101JATP	J24185101		1-		
R 7089	CHIP RES.	10k	1/16W	5%	RMC1/16 103JATP	J24185103		1-		
R 7090	CHIP RES.	33k	1/16W	5%	RMC1/16 333JATP	J24185333		1-		
R 7091	CHIP RES.	1k	1/16W	5%	RMC1/16 102JATP	J24185102		1-		
R 7092	CHIP RES.	27	1/16W	5%	RMC1/16 270JATP	J24185270		1-		
R 7093	CHIP RES.	27	1/16W	5%	RMC1/16 270JATP	J24185270		1-		
R 7095	CHIP RES.	100k	1/16W	5%	RMC1/16 104JATP	J24185104		1-		
R 7096	CHIP RES.	1.5k	1/16W	5%	RMC1/16 152JATP	J24185152		1-		
R 7097	CHIP RES.	100	1/16W	5%	RMC1/16 101JATP	J24185101		1-		
T 7001	COIL 05RF				74.62M 010812302	L0022781		1-		
T 7002	COIL 05RF				74.62M 010812302	L0022781		1-		
T 7003	COIL 05RF				R12-S970B	L0022493		1-		
T 7004	BALUN TRANSFORMERS				#458PT-1565	L0190273		1-		
T 7005	BALUN TRANSFORMERS				#458PT-1696	L0022961		1-		
T 7006	COIL 05RF				R12-S971B	L0022494		1-		
T 7007	COIL 05RF				R12-S970B	L0022493		1-		
T 7008	COIL 05RF				R12-S972B	L0022495		1-		
T 7009	COIL 05RF				74.62M 010812302	L0022781		1-		
T 7010	COIL 05RF				100M 010812300A	L0022779		1-		
T 7011	COIL 05RF				100M 010812300A	L0022779		1-		
T 7012	COIL 05RF				74.62M 010812302	L0022781		1-		
T 7013	COIL 05RF				74.62M 010812302	L0022781		1-		
TP7001	CHECK TERMINAL				RCT00000C	Q5000103		1-		
TP7002	CHECK TERMINAL				RCT00000C	Q5000103		1-		
TP7003	CHECK TERMINAL				RCT00000C	Q5000103		1-		
TP7004	CHECK TERMINAL				RCT00000C	Q5000103		1-		
TP7005	CHECK TERMINAL				RCT00000C	Q5000103		1-		
VR7001	POT.	10k			EVN-5ESX50B14	J51811103		1-		
	SHIELD CASE				(21X25)	RA0830300		1-		
	SHIELD CASE COVER				(21X25)	RA0830400		1-		
	SHIELD CASE				(33X47)	RA0830500		1-		
	SHIELD CASE COVER				(33X47)	RA0830600		1-		
*** CONNECT-A-UNIT ***										
	PCB with Components					CB3756001	CE:OFF			
	PCB with Components					CB3756002	CE:ON			
	Printed Circuit Board					FR0128000		1-		
C 6155	CHIP CAP.	47pF	50V	CH	GRM1882C1H470JA01D	K22174227		1-		
C 6156	CHIP CAP.	47pF	50V	CH	GRM1882C1H470JA01D	K22174227		1-		
J 6100	CONNECTOR				SB20-09WS	P0090616		1-		
J 6101	CONNECTOR				XM2C-0942-232L	P0091409		1-		
J 6102	CONNECTOR				290A-88-30-335-F	P1091047		1-		
J 6103	CONNECTOR				290A-88-30-335-F	P1091047		1-		
J 6104	CONNECTOR				SB20-07WS	P0090614		1-		
J 6105	CONNECTOR				MDC-086	P1090935		1-		
J 6106	CONNECTOR				AE0195-00	P1091177		1-		
J 6107	CONNECTOR				AE0195-00	P1091177		1-		
J 6108	CONNECTOR				SB20-06WS	P0090613		1-		
J 6109	CONNECTOR				SB20-06WS	P0090613		1-		
J 6110	CONNECTOR				SB20-04WS	P0090611		1-		
J 6111	CONNECTOR				XM7A-0442	P1091241		1-		
J 6112	CONNECTOR				SB20-04WS	P0090611		1-		
J 6113	CONNECTOR				SB20-05WS	P0090612		1-		
JP6106	CHIP RES.	0	1/16W	5%	RMC1/16 000JATP	J24185000		1-		
JP6108	CHIP RES.	0	1/16W	5%	RMC1/16 000JATP	J24185000		1-		
L 6100	FERRITE BEADS				BK1608HS601-T	L9190083		1-		
L 6101	FERRITE BEADS				BK1608HS601-T	L9190083		1-		
L 6102	FERRITE BEADS				BK1608HS601-T	L9190083		1-		
L 6103	FERRITE BEADS				BK1608HS601-T	L9190083		1-		
L 6104	FERRITE BEADS				BK1608HS601-T	L9190083		1-		
L 6105	FERRITE BEADS				BK1608HS601-T	L9190083		1-		
L 6106	FERRITE BEADS				BK1608HS601-T	L9190083		1-		
L 6107	FERRITE BEADS				BK1608HS601-T	L9190083		1-		
L 6108	FERRITE BEADS				BK1608HS601-T	L9190083		1-		
L 6109	FERRITE BEADS				BK1608HS601-T	L9190083		1-		
L 6110	FERRITE BEADS				BK1608HS601-T	L9190083		1-		

Parts List (6/6)

REF	DESCRIPTION	VALUE	V/W	TOL.	MFR'S DESIG	VXSTD P/N	VERS.	LOT	SIDE	LAY ADR
L 6111	FERRITE BEADS				BK1608HS601-T	L9190083		1-		
L 6112	FERRITE BEADS				BK1608HS601-T	L9190083		1-		
L 6113	FERRITE BEADS				BK1608HS601-T	L9190083		1-		
L 6114	FERRITE BEADS				BK1608HS601-T	L9190083		1-		
L 6115	FERRITE BEADS				BK1608HS601-T	L9190083		1-		
L 6116	FERRITE BEADS				BK1608HS601-T	L9190083		1-		
L 6117	FERRITE BEADS				BK1608HS601-T	L9190083		1-		
L 6118	FERRITE BEADS				BK1608HS601-T	L9190083		1-		
L 6119	FERRITE BEADS				BK1608HS601-T	L9190083		1-		
L 6120	FERRITE BEADS				BK1608HS601-T	L9190083		1-		
L 6121	FERRITE BEADS				BK1608HS601-T	L9190083		1-		
L 6122	FERRITE BEADS				BK1608HS601-T	L9190083		1-		
L 6123	FERRITE BEADS				BK1608HS601-T	L9190083		1-		
L 6124	CHIP RES.	0	1/16W	5%	RMC1/16 000JATP	J24185000	W/O CE LABEL	1-		
L 6125	CHIP RES.	0	1/16W	5%	RMC1/16 000JATP	J24185000	W/O CE LABEL	1-		
L 6126	CHIP RES.	0	1/16W	5%	RMC1/16 000JATP	J24185000	W/O CE LABEL	1-		
L 6127	CHIP RES.	0	1/16W	5%	RMC1/16 000JATP	J24185000	W/O CE LABEL	1-		
L 6128	CHIP RES.	0	1/16W	5%	RMC1/16 000JATP	J24185000	W/O CE LABEL	1-		
L 6129	CHIP RES.	0	1/16W	5%	RMC1/16 000JATP	J24185000	W/O CE LABEL	1-		
L 6130	CHIP RES.	0	1/16W	5%	RMC1/16 000JATP	J24185000	W/O CE LABEL	1-		
L 6131	CHIP RES.	0	1/16W	5%	RMC1/16 000JATP	J24185000	W/O CE LABEL	1-		
L 6132	CHIP RES.	0	1/16W	5%	RMC1/16 000JATP	J24185000	W/O CE LABEL	1-		
L 6133	CHIP RES.	0	1/16W	5%	RMC1/16 000JATP	J24185000	W/O CE LABEL	1-		
L 6134	CHIP RES.	0	1/16W	5%	RMC1/16 000JATP	J24185000	W/O CE LABEL	1-		
L 6135	CHIP RES.	0	1/16W	5%	RMC1/16 000JATP	J24185000	W/O CE LABEL	1-		
L 6136	CHIP RES.	0	1/16W	5%	RMC1/16 000JATP	J24185000	W/O CE LABEL	1-		
L 6137	CHIP RES.	0	1/16W	5%	RMC1/16 000JATP	J24185000	W/O CE LABEL	1-		
L 6138	CHIP RES.	0	1/16W	5%	RMC1/16 000JATP	J24185000	W/O CE LABEL	1-		
L 6139	FERRITE BEADS				BK1608HS601-T	L9190083		1-		
L 6140	FERRITE BEADS				BK1608HS601-T	L9190083		1-		
L 6141	FERRITE BEADS				BK1608HS601-T	L9190083		1-		
L 6142	FERRITE BEADS				BK1608HS601-T	L9190083		1-		
L 6143	FERRITE BEADS				BK1608HS601-T	L9190083		1-		
L 6144	FERRITE BEADS				BK1608HS601-T	L9190083		1-		
L 6145	FERRITE BEADS				BK1608HS601-T	L9190083		1-		
L 6146	FERRITE BEADS				BK1608HS601-T	L9190083		1-		
L 6147	FERRITE BEADS				BK1608HS601-T	L9190083		1-		
L 6148	FERRITE BEADS				BK1608HS601-T	L9190083		1-		
L 6149	FERRITE BEADS				BK1608HS601-T	L9190083		1-		
L 6150	FERRITE BEADS				BK1608HS601-T	L9190083		1-		
L 6151	FERRITE BEADS				BK1608HS601-T	L9190083		1-		
*** CONNECT-B-UNIT ***										
	PCB with Components					CB3757001				
	Printed Circuit Board					FR0128100		1-		
J 9881	CONNECTOR				MX345GLB	P1091008		1-		
J 9883	CONNECTOR				MX345GLB	P1091008		1-		
JP9881	WIRE ASSY				AH010H	T9207193B		1-		
*** INTERFACE-UNIT ***										
	PCB with Components					CB3758001				
	Printed Circuit Board					FR0156500		1-		
C 9907	CHIP CAP.	0.01uF	50V	B	GRM188B11H103KA01D	K22174823		1-		
J 9901	CONNECTOR				M50-08-30-434S R41-0599M	P1091132		1-		
J 9902	CONNECTOR				SB20-03WS	P0090610		1-		
J 9903	CONNECTOR				B2P-VH	P0091266		1-		
J 9906	CONNECTOR				SB20-02WS	P0090609		1-		
J 9907	CONNECTOR				SB20-02WS	P0090609		1-		
J 9908	CONNECTOR				SB20-04WS	P0090611		1-		
J 9910	CONNECTOR				B2P-VH	P0091266		1-		
Q 9901	TRANSISTOR				DTC144EK T146	G3070033		1-		
Q 9902	TRANSISTOR				DTC144EK T146	G3070033		1-		
Q 9905	TRANSISTOR				DTA144EK T146	G3070069		1-		
R 9901	CHIP RES.	0	1/16W	5%	RMC1/16 000JATP	J24185000		1-		
R 9902	CHIP RES.	0	1/16W	5%	RMC1/16 000JATP	J24185000		1-		
R 9903	CHIP RES.	0	1/16W	5%	RMC1/16 000JATP	J24185000		1-		
R 9904	CHIP RES.	0	1/16W	5%	RMC1/16 000JATP	J24185000		1-		
R 9905	CHIP RES.	0	1/16W	5%	RMC1/16 000JATP	J24185000		1-		
R 9906	CHIP RES.	0	1/16W	5%	RMC1/16 000JATP	J24185000		1-		
R 9909	CHIP RES.	0	1/16W	5%	RMC1/16 000JATP	J24185000		1-		
*** SW-UNIT ***										
	PCB with Components					CB3831001				
	Printed Circuit Board					FR0159400		1-		
J 9951	CONNECTOR				SB20-02WS	P0090609		1-		
S 9951	PUSH SWITCH				SPPH410100	N4090151		1-		