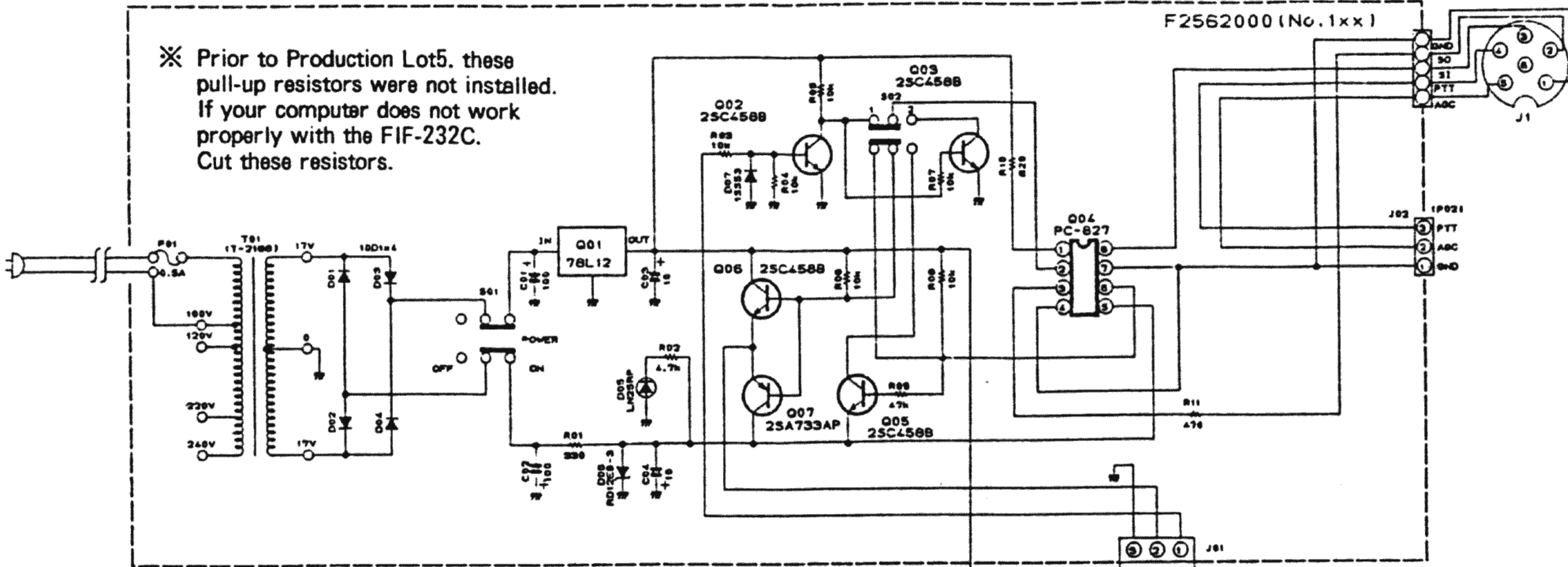
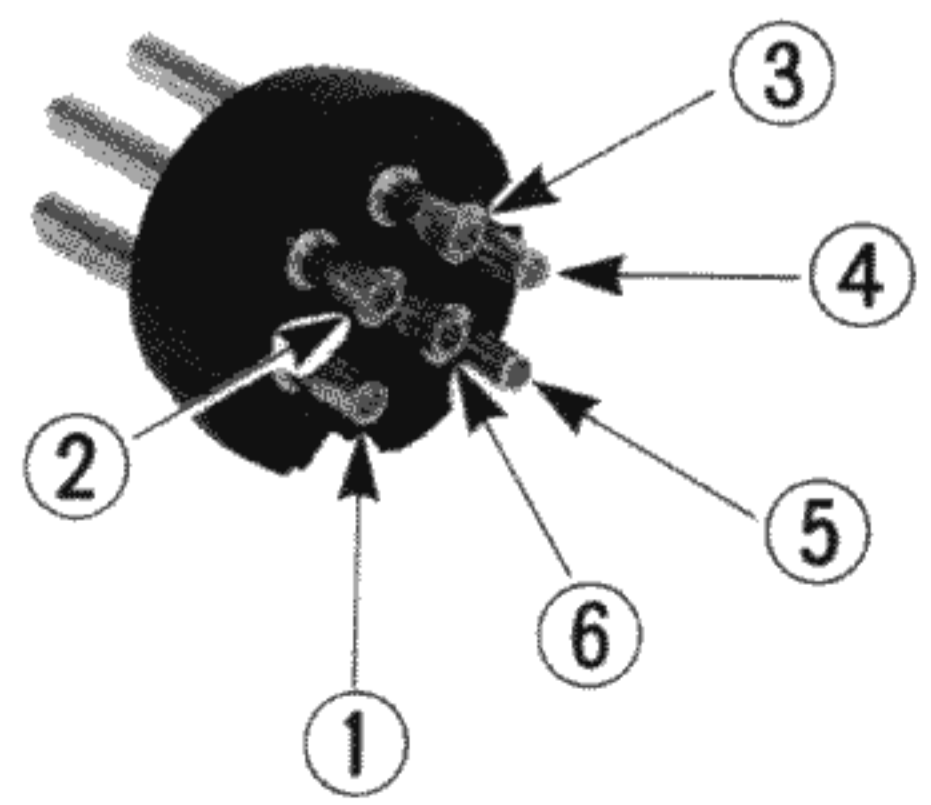


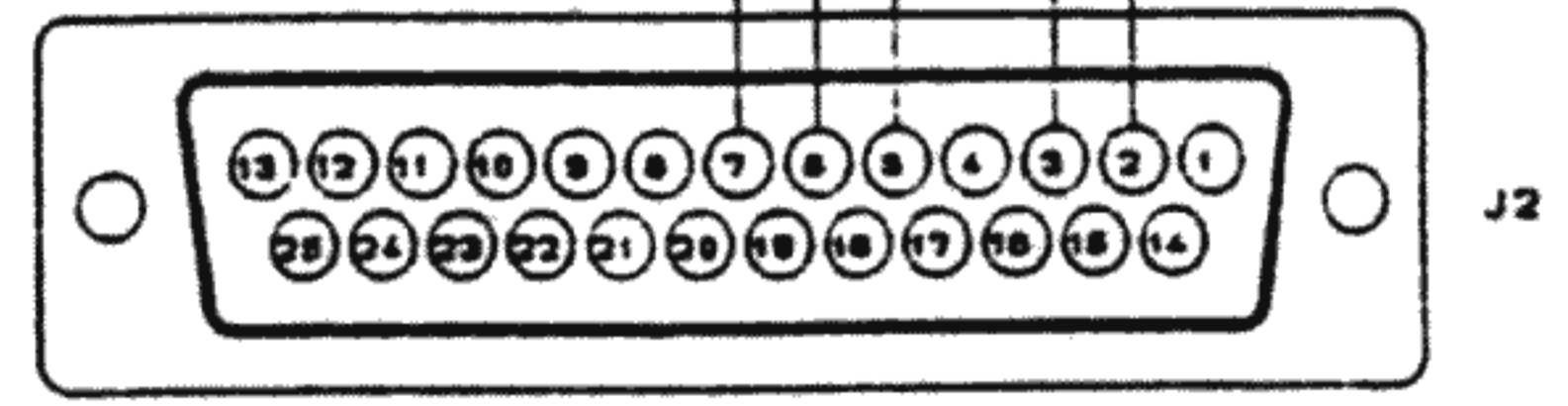
※ Prior to Production Lot5, these pull-up resistors were not installed. If your computer does not work properly with the FIF-232C. Cut these resistors.



CAT



- ① GND
- ② SERIAL OUT
- ③ SERIAL IN
- ④ PTT
- ⑤ S/PO
- ⑥ NC



FIF-232C
CIRCUIT DIAGRAM