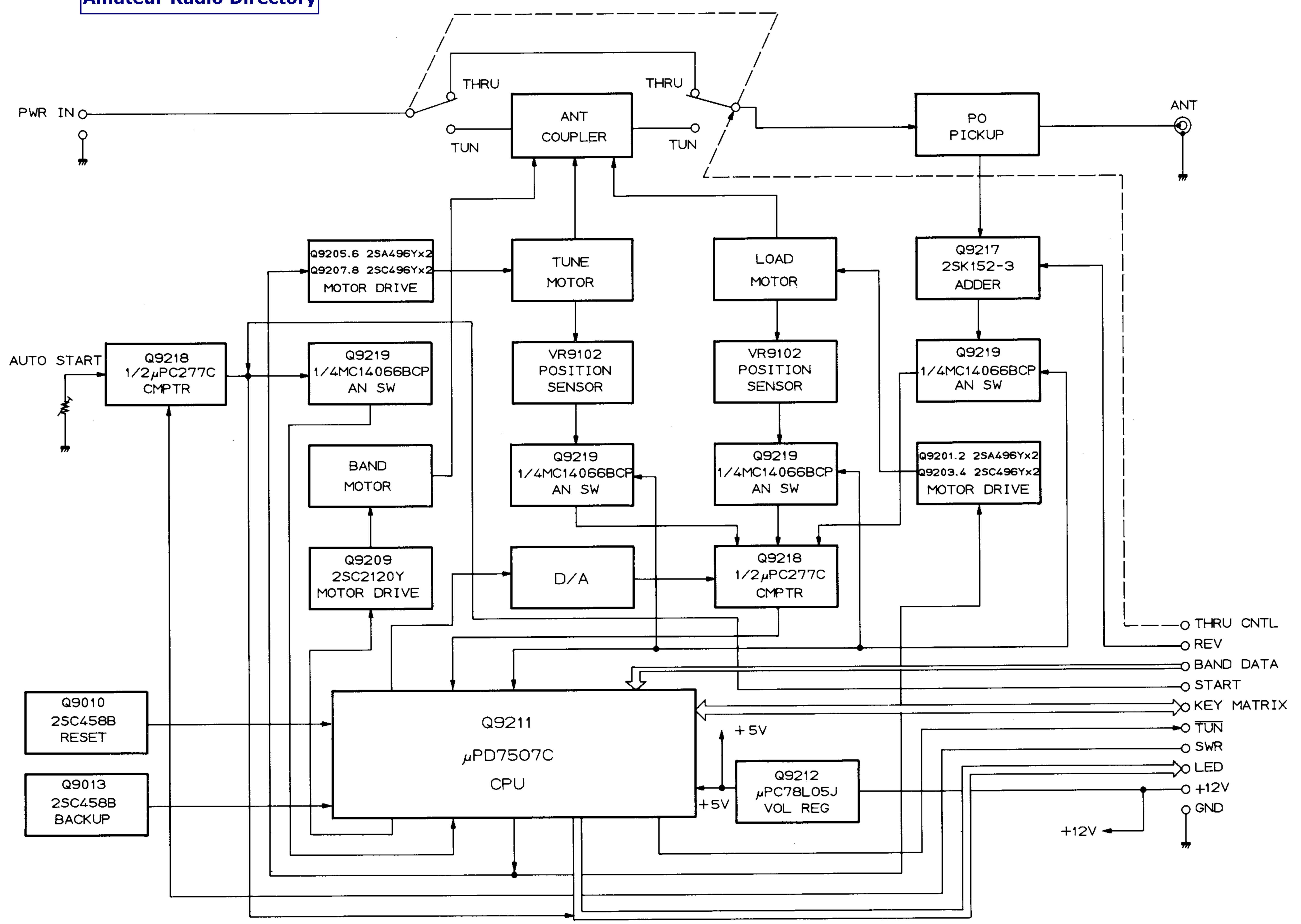
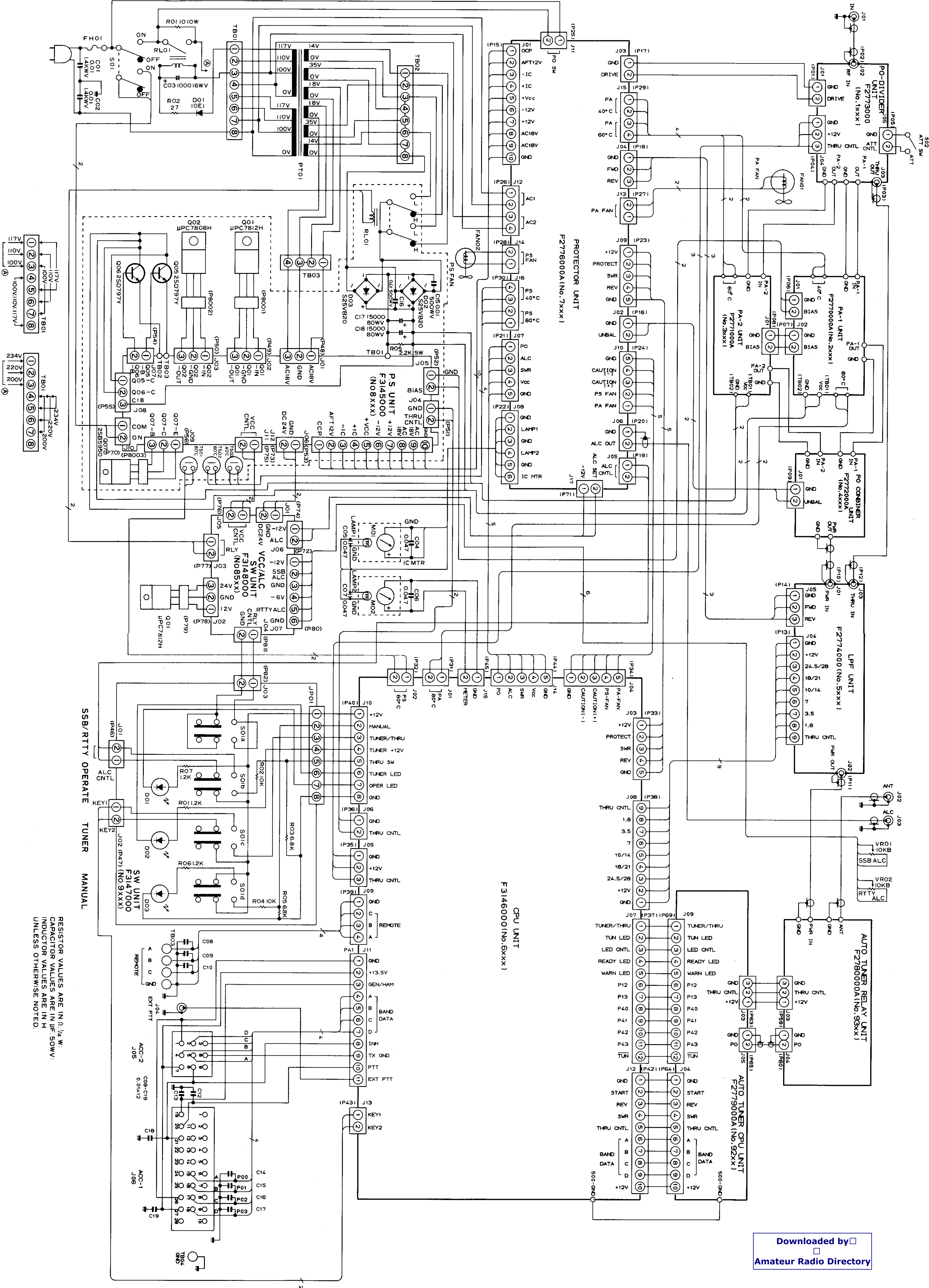


RESISTOR VALUES ARE IN  $\Omega$ , 1/4W;  
CAPACITOR VALUES ARE IN  $\mu$ F, 50V;  
UNLESS OTHERWISE NOTED.

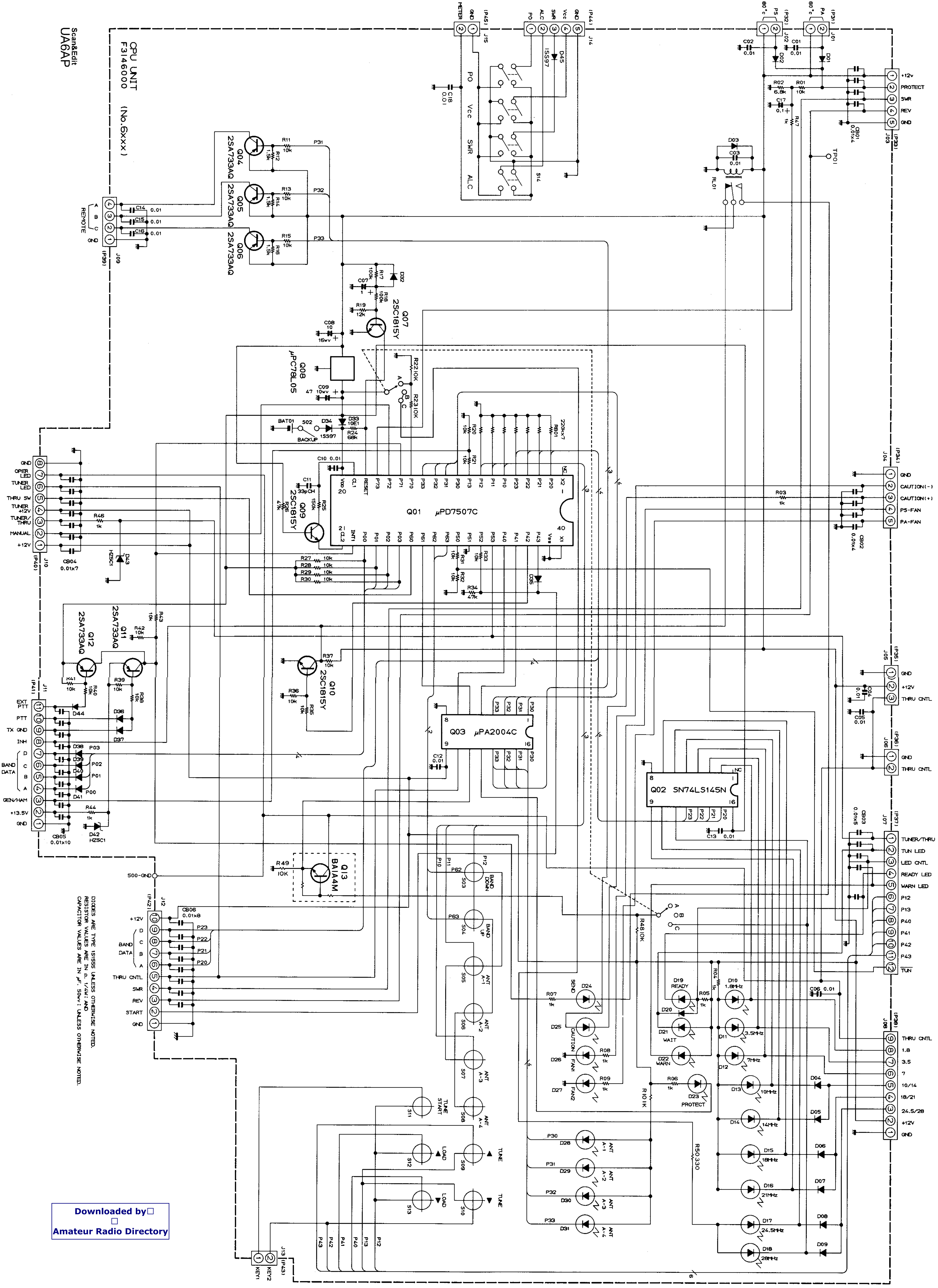
FL-7000  
AUTO TUNER CONNECTION DIAGRAM

Downloaded by  
Amateur Radio Directory





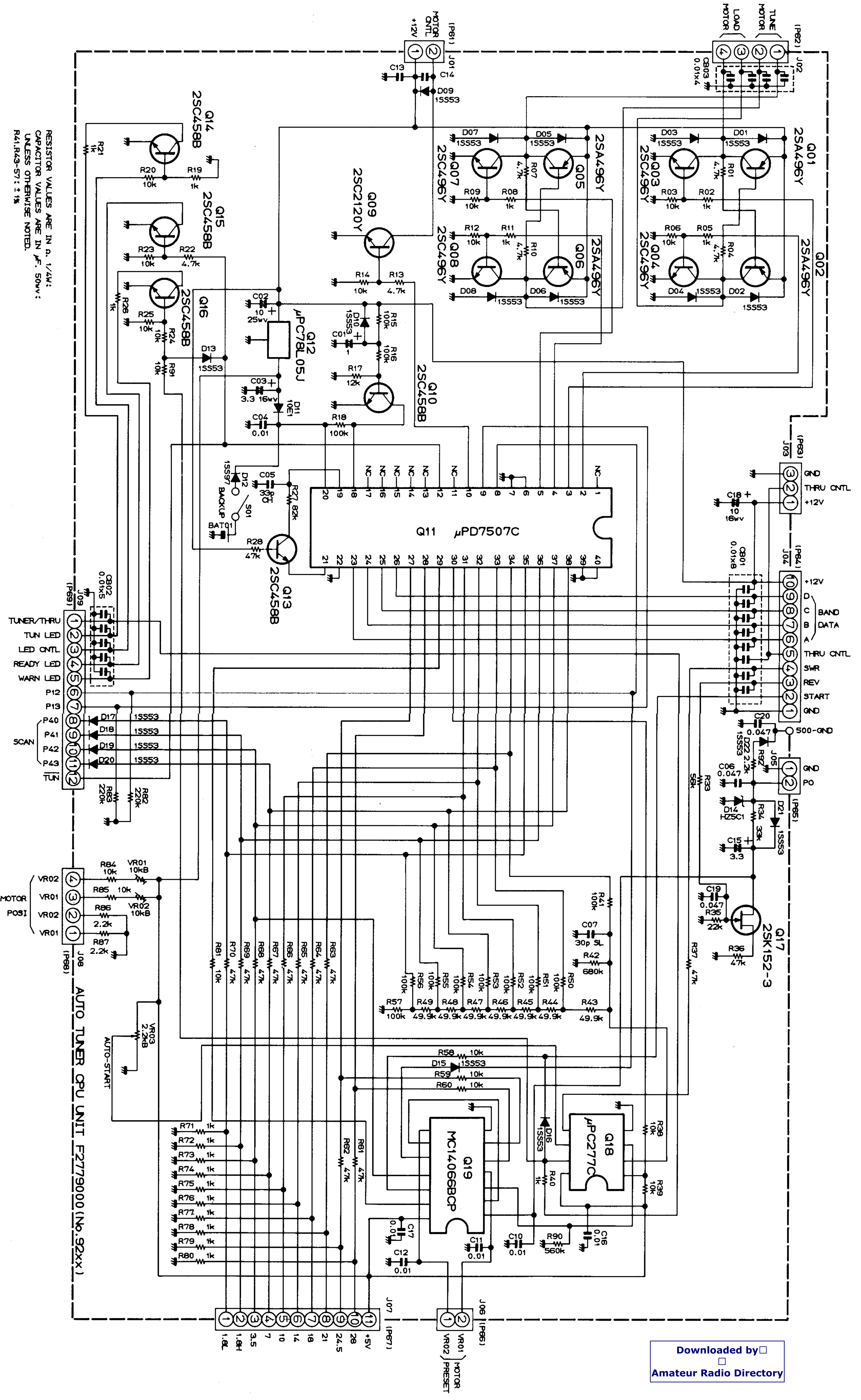
RESISTOR VALUES ARE IN Ω, 1/4 W.  
 CAPACITOR VALUES ARE IN μF, 50WV.  
 INDUCTOR VALUES ARE IN H  
 UNLESS OTHERWISE NOTED.



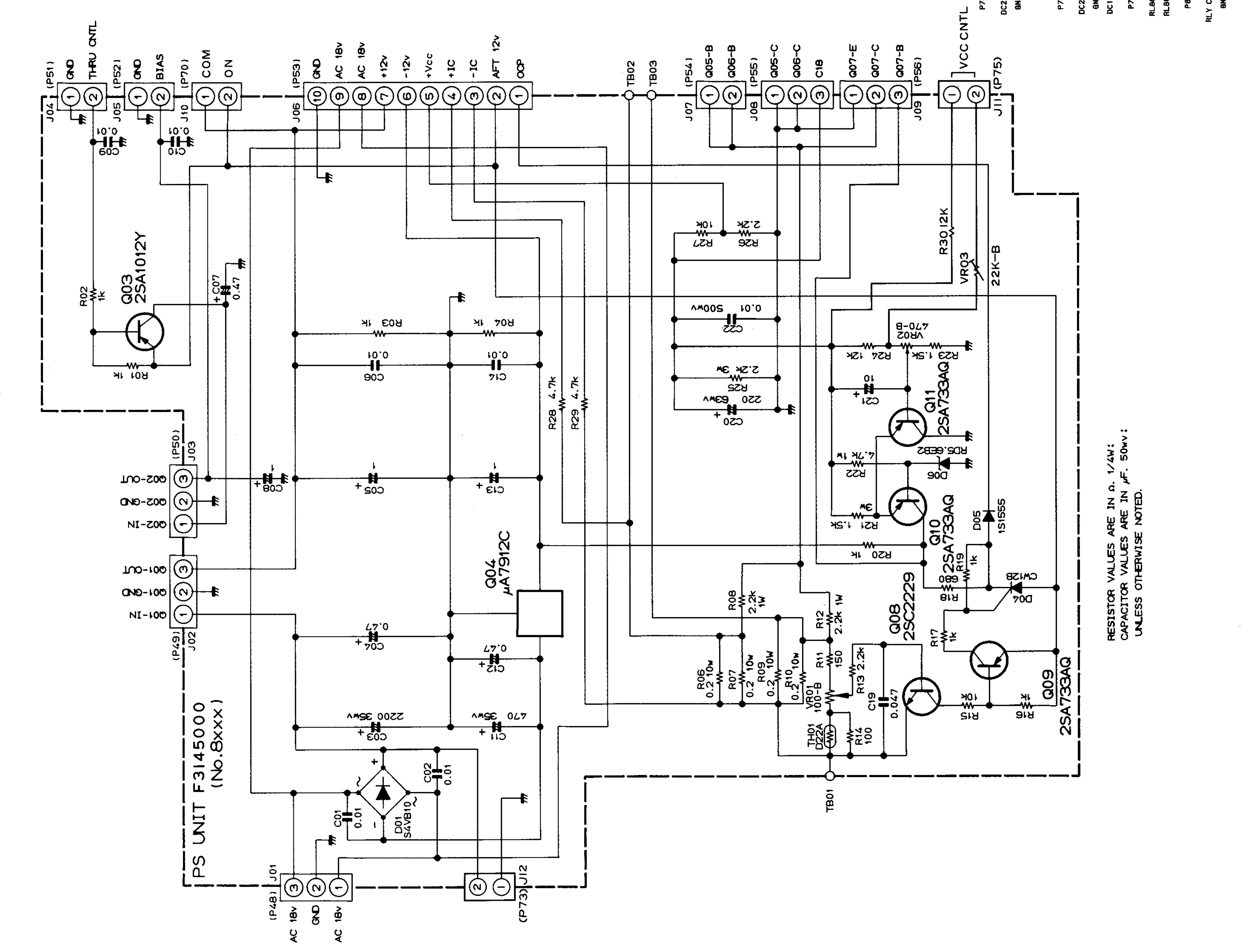
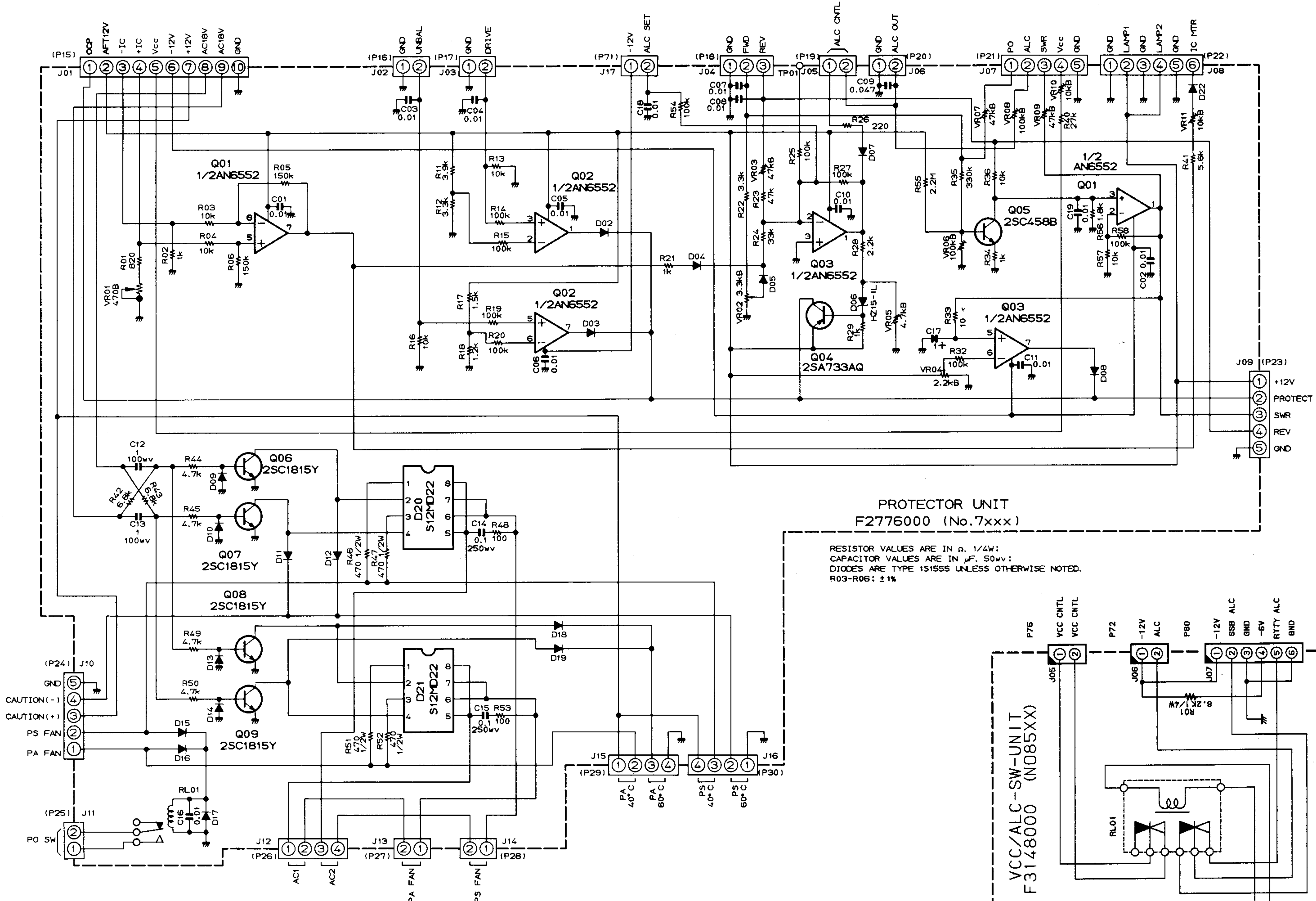
ScanEdit  
UA6AP

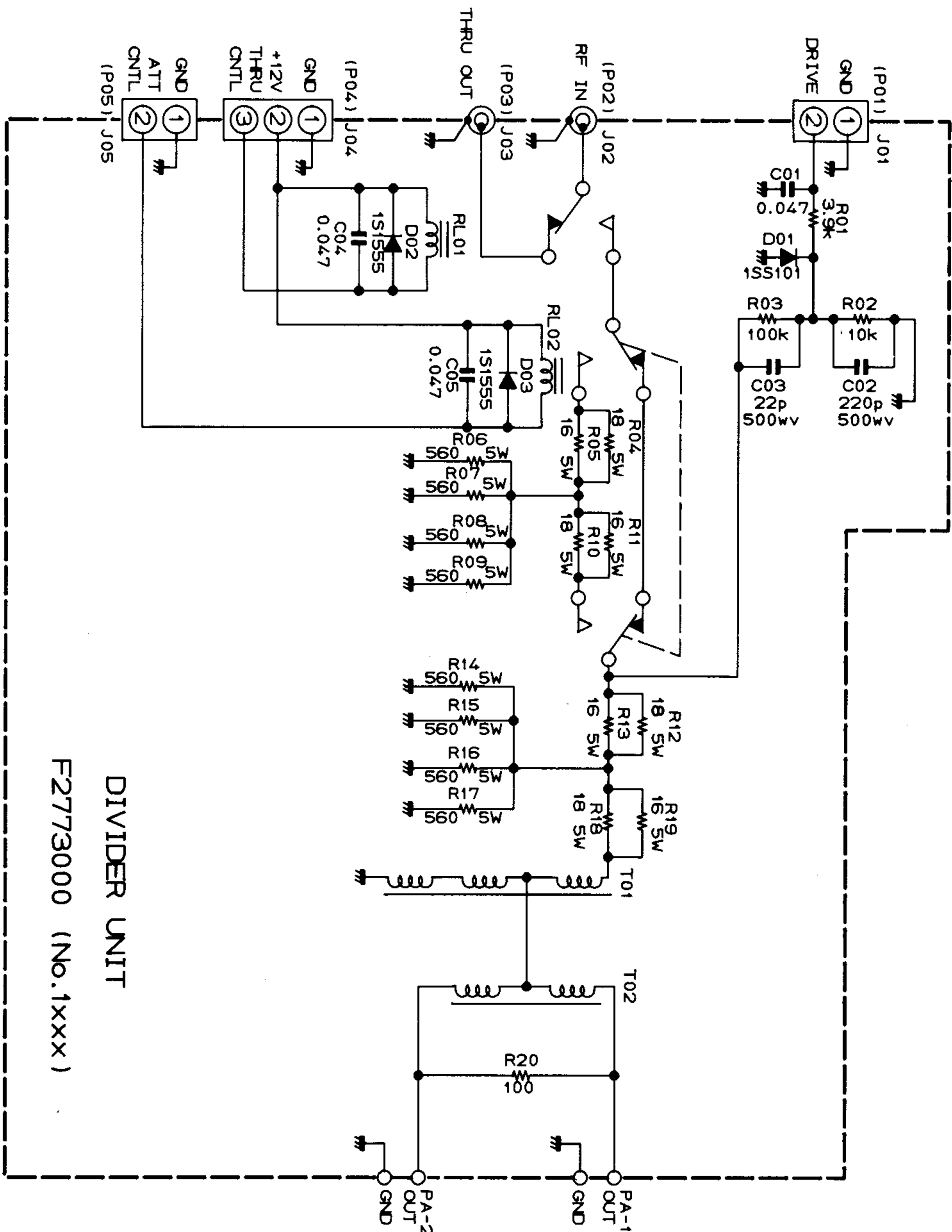
CPU UNIT  
F3146000  
(No. 6xxxx)

DIODES ARE TYPE 1S1855 UNLESS OTHERWISE NOTED.  
RESISTOR VALUES ARE IN OHMS, 1/4W, AND  
CAPACITOR VALUES ARE IN μF, 50V, UNLESS OTHERWISE NOTED.

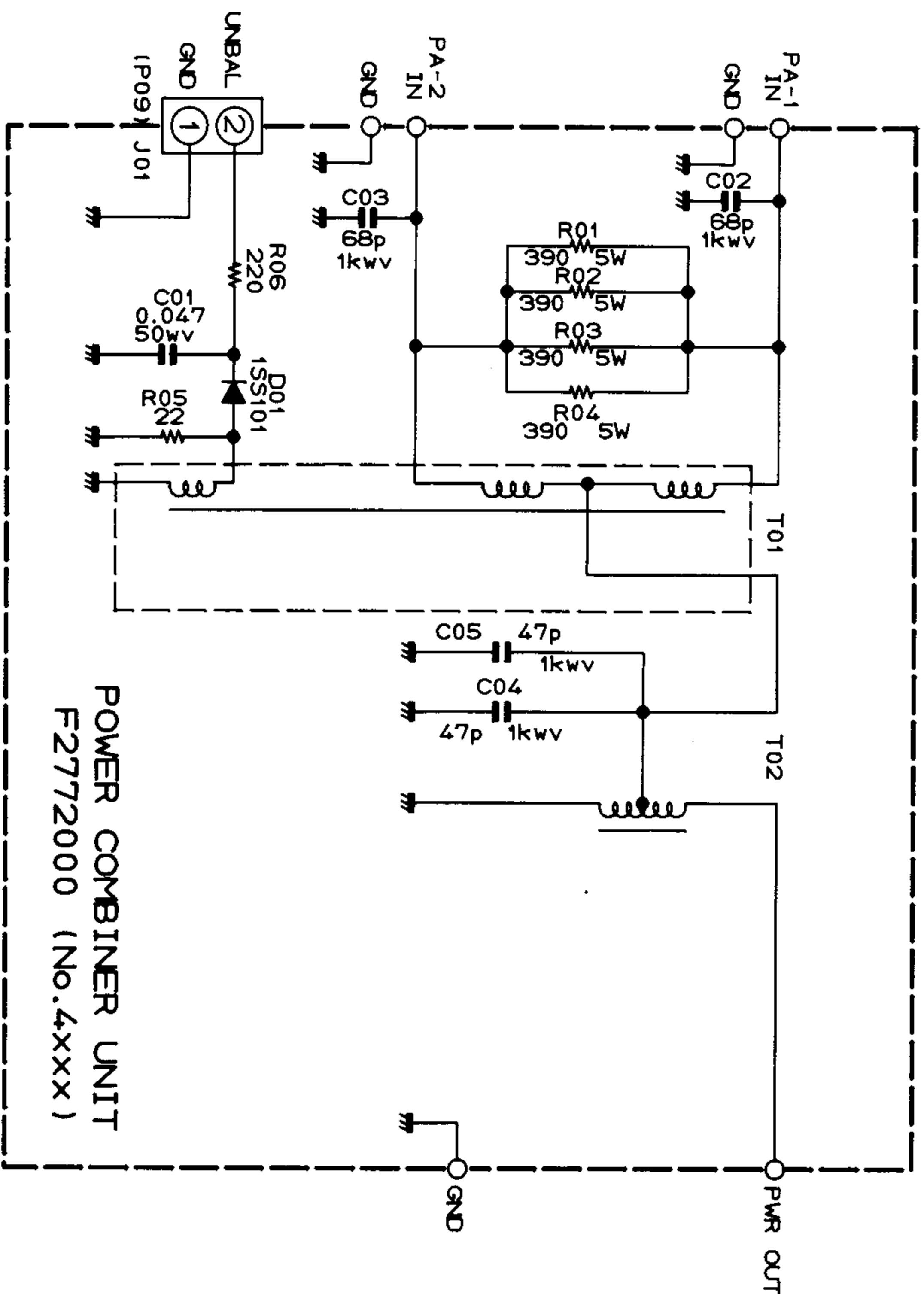


RESISTOR VALUES ARE IN Ω, 1/4W:  
 CAPACITOR VALUES ARE IN µF, 50V:  
 UNLESS OTHERWISE NOTED.  
 R41,R43-57: ±1%

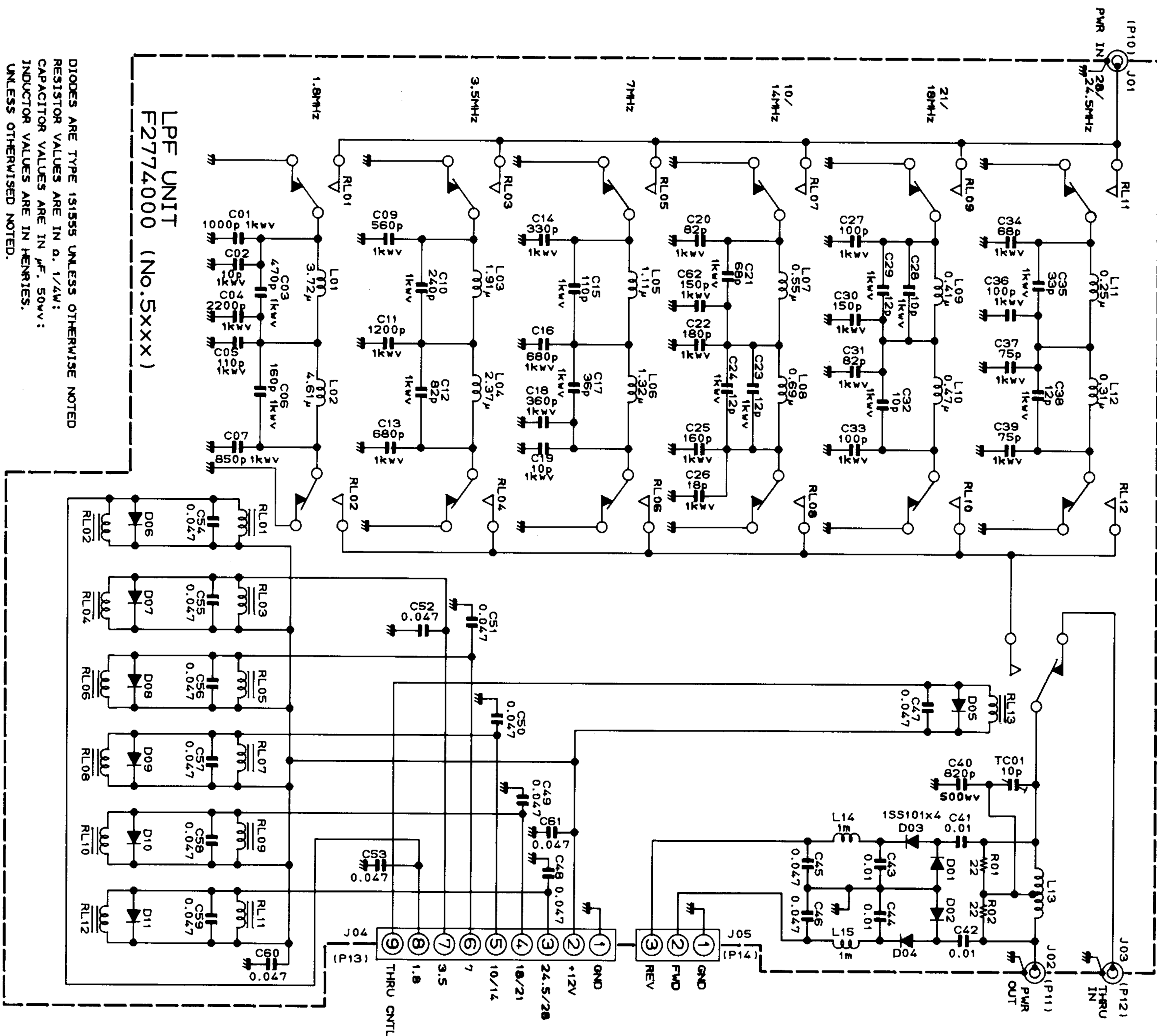




RESISTOR VALUES ARE IN  $\Omega$ , 1/4W:  
CAPACITOR VALUES ARE IN  $\mu$ F, 50WV:  
UNLESS OTHERWISE NOTED.



RESISTOR VALUES ARE IN  $\Omega$ , 1/4W:  
CAPACITOR VALUES ARE IN  $\mu$ F,  
UNLESS OTHERWISE NOTED.



DIODES ARE TYPE 1S1555 UNLESS OTHERWISE NOTED  
RESISTOR VALUES ARE IN  $\Omega$ , 1/4W:  
CAPACITOR VALUES ARE IN  $\mu$ F, 50WV:  
INDUCTOR VALUES ARE IN HENRIES:  
UNLESS OTHERWISE NOTED.

