

FP-12 DC POWER SUPPLY

The FP-12 power supply provides an output voltage of 13.8 DC volts at 12 amperes, with excellent regulation. The FP-12 is designed for use with the FT-7B and CPU-2500R transceivers, and it includes an 8 ohm speaker for base station listening. Protection against short circuits in the power lead is provided.

SPECIFICATIONS

Input voltage: 100/110/117/200/220/234 volts AC, 50/60 Hz

Output voltage: 13.8 volts DC (adjustable from 10-15 volts)

Output current: 12 amperes, 50% duty cycle

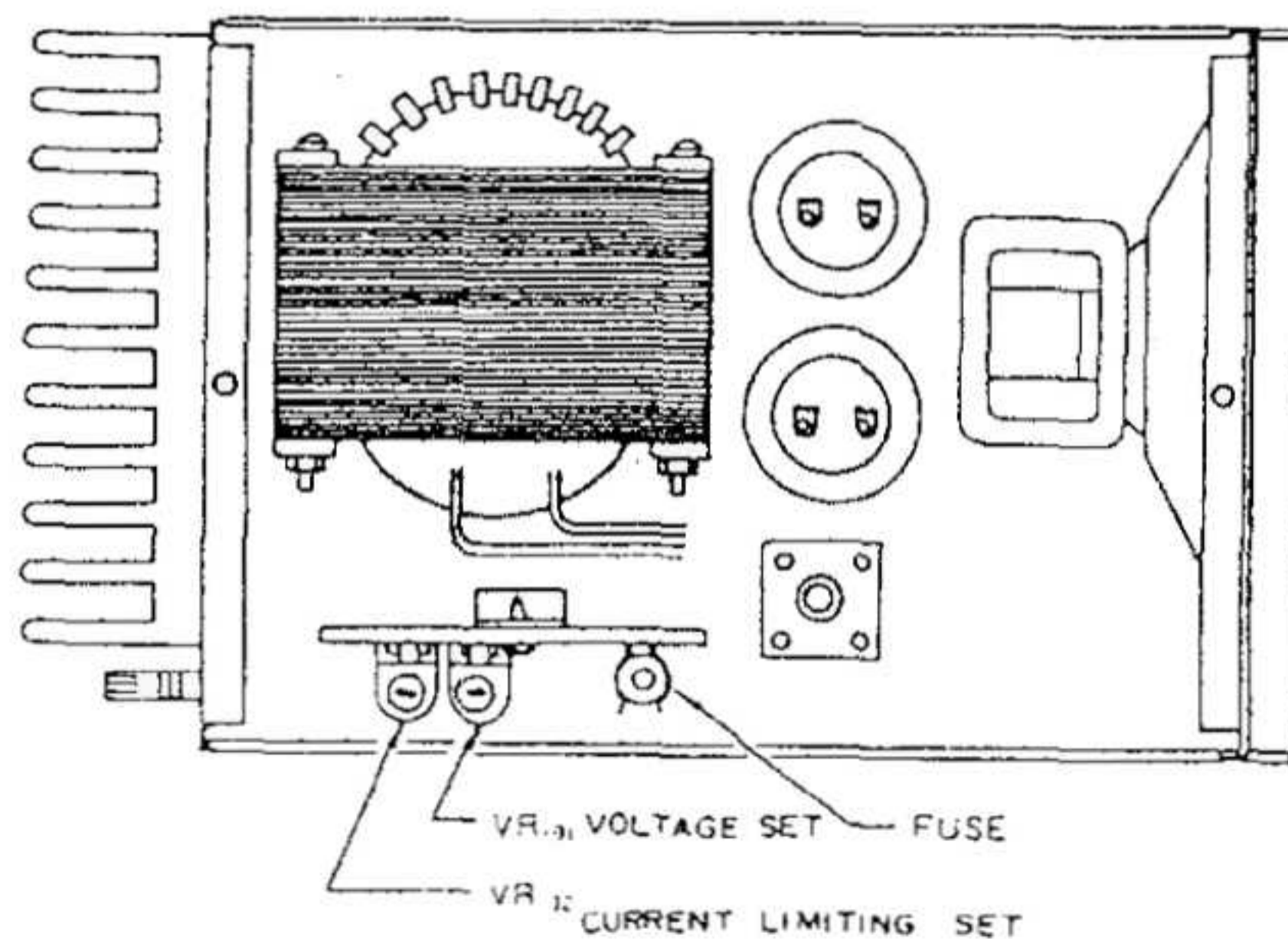
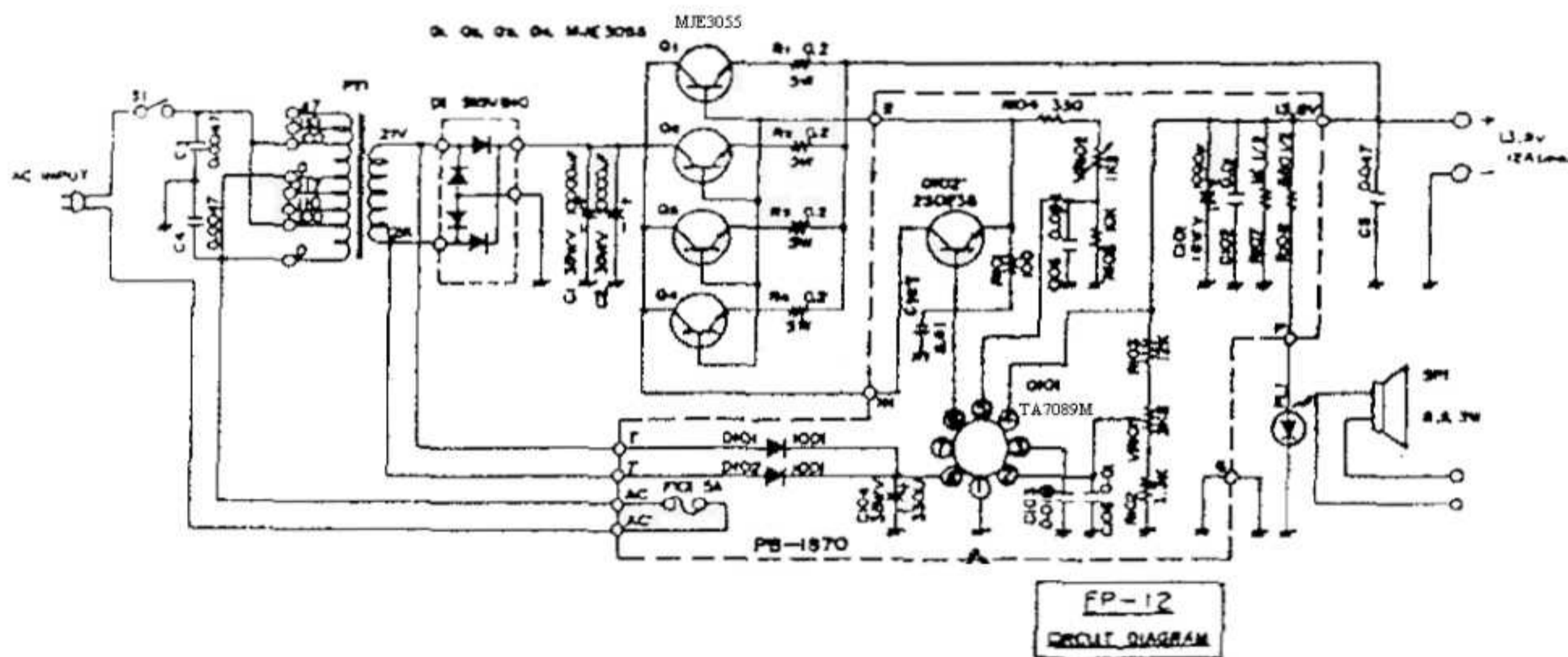
Current limiting level: 16 amperes

Ripple: 50 mV p-p (100 volts input, 12 amps)

Case size: 180 (W) x 85 (H) x 290 (D) mm

Weight: Approximately 7.3 kg.

Specifications subject to change without notice.

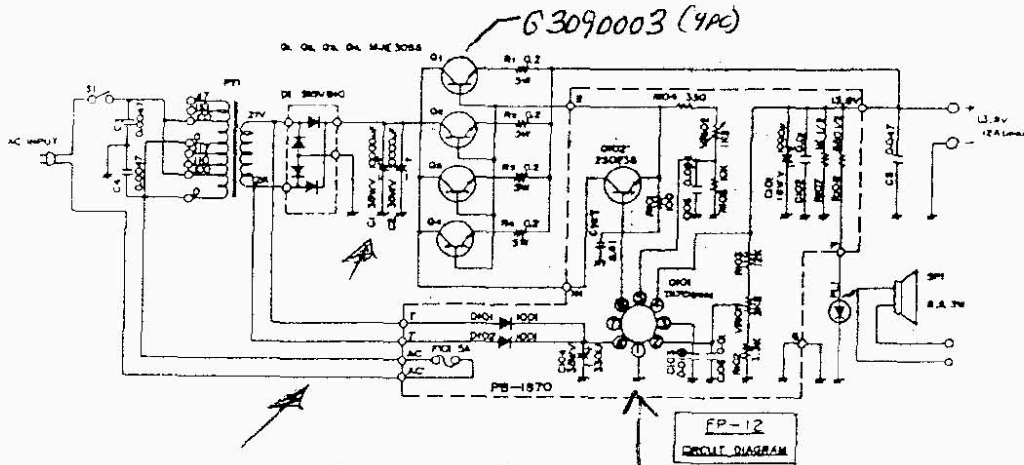


The FP-12 power supply provides an output voltage of 13.8 DC volts at 12 amperes, with excellent regulation. The FP-12 is designed for use with the FT-7B and CPU-2500R transceivers, and it includes an 8 ohm speaker for base station listening. Protection against short circuits in the power lead is provided.

SPECIFICATIONS

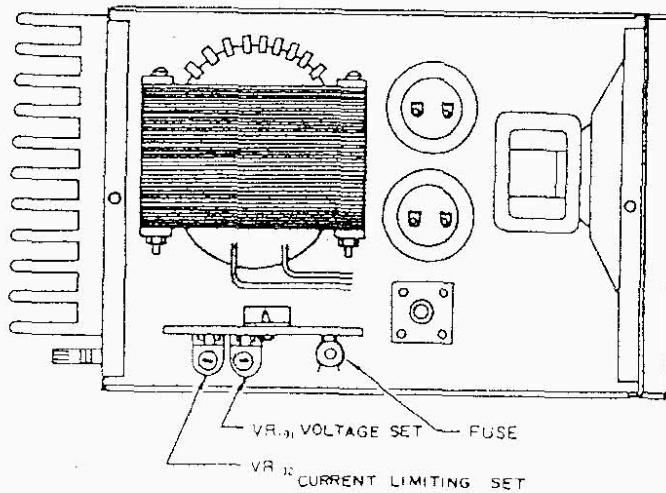
- Input voltage: 100/110/117/200/220/234 volts AC, 50/60 Hz
- Output voltage: 13.8 volts DC (adjustable from 10-15 volts)
- Output current: 12 amperes, 50% duty cycle
- Current limiting level: 16 amperes
- Ripple: 50 mV p-p (100 volts input, 12 amps)
- Case size: 180 (W) x 85 (H) x 290 (D) mm
- Weight: Approximately 7.3 kg.

Specifications subject to change without notice.



43160002 C1, C2 10,000UF 35WV.

TA7091M
TOSHIBA Part NR
D3000448



INSTRUCTIONS FOR USE

* * * * *

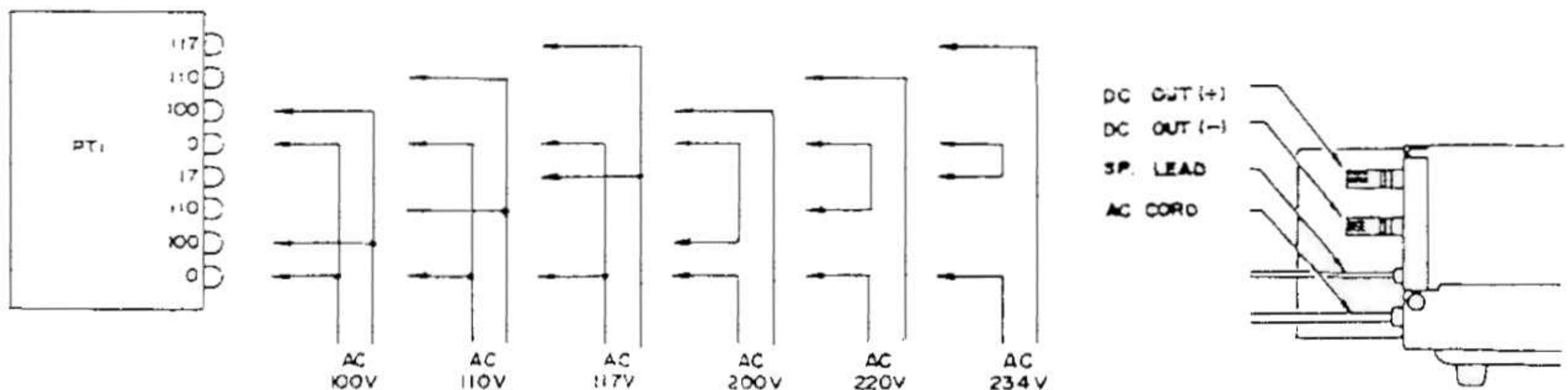
1. Be absolutely certain that the voltage specification marked on the power supply is the same as that of your local supply voltage. Refer to the transformer connection chart for details, should you change locations.
2. Connect the POSITIVE power lead (RED) from the transceiver to the POSITIVE (+) terminal of the power supply, and connect the NEGATIVE power lead (BLACK) from the transceiver to the NEGATIVE terminal on the power supply. Refer to the drawing.
3. Turn the power switch ON to commence operation. The speaker lead may be plugged into the external speaker jack on the rear of the transceiver for external speaker operation.

WARNING

WHEN REPLACING FUSES, BE CERTAIN TO USE ONLY A 5 AMPERE FUSE FOR 100/110/117 VAC, OR A 3 AMPERE FUSE FOR 200/220/234 VAC. OUR WARRANTY DOES NOT COVER DAMAGE CAUSED BY IMPROPER FUSE INSTALLATION.

OUR WARRANTY DOES NOT COVER DAMAGE CAUSED BY IMPROPER APPLICATION OF AC SUPPLY VOLTAGE. BE CERTAIN OF THE SUPPLY VOLTAGE AND TRANSFORMER CONNECTIONS BEFORE COMMENCING OPERATION.

DO NOT EXCEED THE RECOMMENDED 50% DUTY CYCLE.



POWER TRANSFORMER PRIMARY CONNECTION

YAESU MUSEN COMPANY, LTD.
C.P.O. BOX 1500
TOKYO, JAPAN

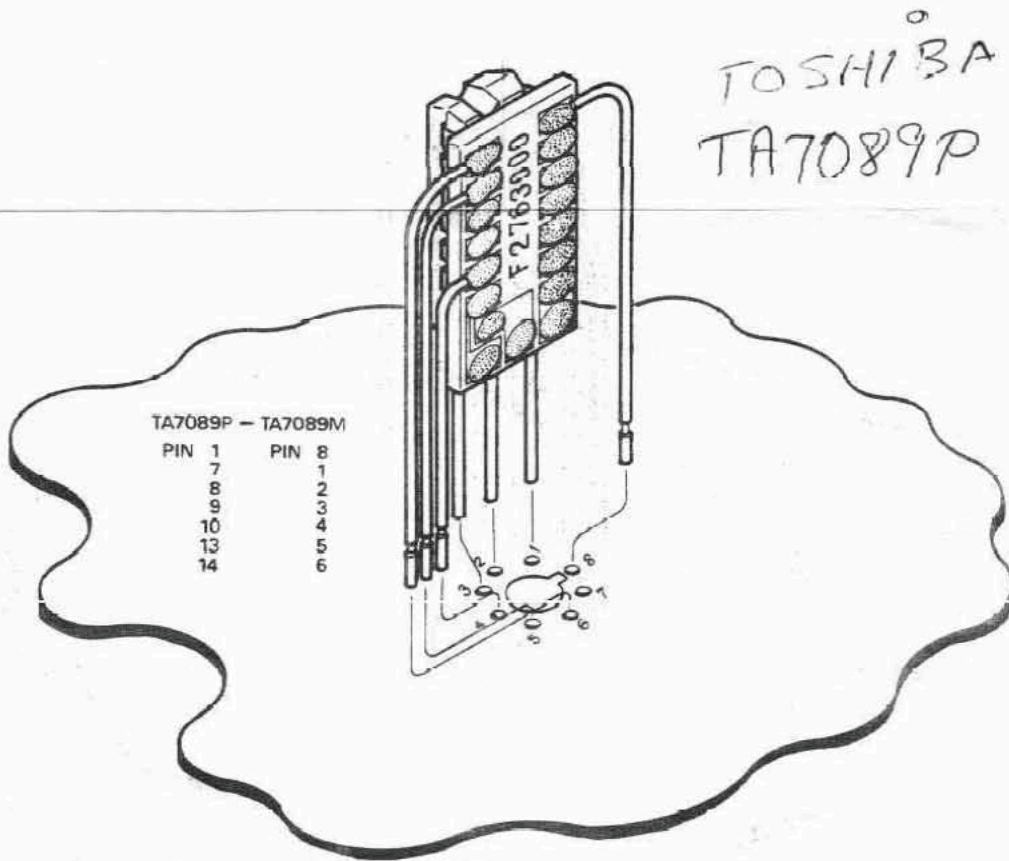
YAESU ELECTRONICS CORP.
P.O. BOX 498
PARAMOUNT, CA 90723
USA

Printed in Japan

REPLACEMENT OF THE TA7089M
WITH TA7089P

The TA7089M Voltage Regulator IC used in some Yaesu FP- power supplies was previously available in an 8-pin radial lead package. This type is no longer available, so the TA7089P in 14-pin DIP package must be used as a replacement. The following drawing shows the replacement method, using Yaesu replacement kit D3000448, which consists of the TA7089P mounted on a small board, supplied with leads as shown.

After removing the TA7089M, trim the insulated leads from pins 1, 10, 13 and 14 on the replacement board so that the board can mount perpendicularly to the main board, and strip enough insulation for soldering. Then insert the wires into the original holes and solder them as shown.



If you have an item of interest you would like to see added to the Fox Tango Web Site

Carol L. Maher W4CLM

(c) Fox Tango International, 2004. All rights reserved