

REF.	DESCRIPTION	VALUE	V/W	TOL.	MFR'S DESIG	VXSTD P/N	VERS.	LOT.	LAYADR
*** MAIN CHASSIS ***									
C 1	CERAMIC CAP.	0.01uF	50V	F	DD106F103Z50	K13179008		1	
D 1	LED				GL8PR21	G2090395		1	
D 2	DIODE				KBU6D	G2090437		1	
FH 1	FUSE HOLDER				FH-B02	S8101173		1	
J 1	CONNECTOR ASSY				ELP-04NV	S8101183		1	
MO 1	MOTOR				RF-510T-1260 D/V	S8101174		1	
P 2	CONNECTOR ASSY					S8101183		1	
P 3	CONNECTOR ASSY					S8101184		1	
P 4	CONNECTOR ASSY					S8101185		1	
P 5 (P8)	CONNECTOR ASSY					S8101186		1	
P 6	CONNECTOR ASSY					S8101187		1	
P 7	CONNECTOR ASSY					S8101190		1	
(P8)	CONNECTOR ASSY					S8101186		1	
P 9	CONNECTOR ASSY					S8101188		1	
P 10	CONNECTOR ASSY					S8101189		1	
(P 11)	CONNECTOR ASSY					S8101190		1	
(P 12)	CONNECTOR ASSY					S8101190		1	
PL 1	LAMP					Q1000070		1	
PT 1	POWER TRANS				KT-26-E	S8101192		1	
Q 1	TRANSISTOR				2SC5200	S8101191		1	
S 1	POWER SWITCH				JPP-2295	S8101175		1	
S 2	PRESET SWITCH				THC10902	S8101176		1	
S 3	LEFT SWITCH				THC10902	S8101176		1	
S 4	RIGHT SWITCH				THC10902	S8101176		1	
VR 1	POT.				RA28Y500B	S8101177		1	
VR 2	PRESET POT.				VN16YA-15K (500)	S8101178		1	
VR 3	SPEEDPOT.				VN16YA-15K (1.5K)	S8101179		1	
*** CNTL Unit ***									
PCB with Components						S8101195		1	
C 1001	CHIPCAP.	0.001uF	50V	B	GRM40B102K50PT	K22170825		1	
C 1002	CHIPCAP.	0.001uF	50V	B	GRM40B102K50PT	K22170825		1	
C 1003	CHIPCAP.	0.001uF	50V	B	GRM40B102K50PT	K22170825		1	
C 1004	CHIPCAP.	0.001uF	50V	B	GRM40B102K50PT	K22170825		1	
C 1005	AL.ELECTRO.CAP.	470uF	35V		RE2-35V471M 470UF	K40169026		1	
C 1006	CHIPCAP.	0.01uF	50V	B	GRM40B103K50PT	K22170826		1	
C 1007	AL.ELECTRO.CAP.	100uF	25V		RE2-25V101M 100UF	K40149028		1	
C 1008	CHIPCAP.	0.01uF	50V	B	GRM40B103K50PT	K22170826		1	
C 1009	CHIP TA.CAP.	10uF	16V		TEMSVB21C106M-8R	K78120025		1	
C 1010	CHIPCAP.	0.01uF	50V	B	GRM40B103K50PT	K22170826		1	
C 1011	CHIP TA.CAP.	10uF	16V		TEMSVB21C106M-8R	K78120025		1	
C 1012	CHIPCAP.	0.1uF	25V	F	GRM40F104Z25PT	K22141005		1	
C 1013	CHIPCAP.	0.1uF	25V	F	GRM40F104Z25PT	K22141005		1	
C 1014	CHIPCAP.	0.1uF	25V	F	GRM40F104Z25PT	K22141005		1	
C 1015	CHIPCAP.	0.1uF	25V	F	GRM40F104Z25PT	K22141005		1	
C 1016	CHIPCAP.	0.1uF	25V	F	GRM40F104Z25PT	K22141005		1	
C 1017	CHIPCAP.	0.01uF	50V	B	GRM40B103K50PT	K22170826		1	
C 1018	CHIP TA.CAP.	4.7uF	16V		TEMSVA1C475M-8R	K78120031		1	
C 1019	CHIPCAP.	0.01uF	50V	B	GRM40B103K50PT	K22170826		1	
C 1020	CHIPCAP.	0.01uF	50V	B	GRM40B103K50PT	K22170826		1	
C 1022	CHIPCAP.	20pF	50V	CH	GRM40CH200J50PT	K22170218		1	
C 1023	CHIPCAP.	0.01uF	50V	B	GRM40B103K50PT	K22170826		1	
C 1024	CHIPCAP.	0.01uF	50V	B	GRM40B103K50PT	K22170826		1	
C 1025	CHIPCAP.	20pF	50V	CH	GRM40CH200J50PT	K22170218		1	
C 1026	CHIPCAP.	20pF	50V	CH	GRM40CH200J50PT	K22170218		1	
C 1027	CHIPCAP.	0.047uF	50V	B	GRM40B473M50PT	K22170823		1	
C 1028	CHIPCAP.	0.01uF	50V	B	GRM40B103K50PT	K22170826		1	
C 1029	CHIPCAP.	20pF	50V	CH	GRM40CH200J50PT	K22170218		1	
C 1030	CHIPCAP.	0.01uF	50V	B	GRM40B103K50PT	K22170826		1	
C 1031	CHIPCAP.	20pF	50V	CH	GRM40CH200J50PT	K22170218		1	
C 1032	CHIPCAP.	0.047uF	50V	B	GRM40B473M50PT	K22170823		1	
C 1033	CHIPCAP.	20pF	50V	CH	GRM40CH200J50PT	K22170218		1	
C 1034	CHIPCAP.	0.01uF	50V	B	GRM40B103K50PT	K22170826		1	
C 1035	CHIPCAP.	0.047uF	50V	B	GRM40B473M50PT	K22170823		1	
C 1036	CHIPCAP.	0.047uF	50V	B	GRM40B473M50PT	K22170823		1	
C 1037	CHIPCAP.	20pF	50V	CH	GRM40CH200J50PT	K22170218		1	

Parts List

REF.	DESCRIPTION	VALUE	V/W	TOL.	MFR'S DESIG	VXSTD P/N	VERS.	LOT.	LAYADR
C 1039	CHIPCAP.	0.01uF	50V	B	GRM40B103K50PT	K22170826		1	
C 1040	CHIPCAP.	0.01uF	50V	B	GRM40B103K50PT	K22170826		1	
C 1041	CHIPCAP.	0.01uF	50V	B	GRM40B103K50PT	K22170826		1	
C 1042	CHIPCAP.	0.01uF	50V	B	GRM40B103K50PT	K22170826		1	
C 1043	CHIP TA.CAP.	10uF	16V		TEMSVB21C106M-8R	K78120025		1	
C 1044	CHIPCAP.	0.01uF	50V	B	GRM40B103K50PT	K22170826		1	
C 1045	CHIPCAP.	0.01uF	50V	B	GRM40B103K50PT	K22170826		1	
C 1046	CHIPCAP.	20pF	50V	CH	GRM40CH200J50PT	K22170218		1	
C 1047	CHIPCAP.	0.01uF	50V	B	GRM40B103K50PT	K22170826		1	
C 1048	CHIPCAP.	0.01uF	50V	B	GRM40B103K50PT	K22170826		1	
C 1049	CHIPCAP.	0.01uF	50V	B	GRM40B103K50PT	K22170826		1	
C 1050	CHIPCAP.	0.01uF	50V	B	GRM40B103K50PT	K22170826		1	
C 1051	CHIPCAP.	0.01uF	50V	B	GRM40B103K50PT	K22170826		1	
C 1052	CHIPCAP.	20pF	50V	CH	GRM40CH200J50PT	K22170218		1	
C 1053	CHIPCAP.	0.01uF	50V	B	GRM40B103K50PT	K22170826		1	
C 1054	CHIPCAP.	0.01uF	50V	B	GRM40B103K50PT	K22170826		1	
C 1055	CHIPCAP.	0.01uF	50V	B	GRM40B103K50PT	K22170826		1	
C 1066	CHIP TA.CAP.	10uF	16V		TEMSVB21C106M-8R	K78120025		1	
C 1067	CHIPCAP.	0.1uF	25V	B	GRM40B104M25T	K22140811		1	
C 1069	CHIP TA.CAP.	10uF	16V		TEMSVB21C106M-8R	K78120025		1	
C 1070	CHIPCAP.	0.01uF	50V	B	GRM40B103K50PT	K22170826		1	
C 1071	CHIP TA.CAP.	4.7uF	16V		TEMSVA1C475M-8R	K78120031		1	
C 1072	CHIP TA.CAP.	4.7uF	16V		TEMSVA1C475M-8R	K78120031		1	
C 1082	CHIPCAP.	0.01uF	50V	B	GRM40B103K50PT	K22170826		1	
D 1001	DIODE				W02G	G2090436		1	
D 1002	DIODE				1SR154-400 TE25	G2070684		1	
D 1003	DIODE				1SR154-400 TE25	G2070684		1	
D 1004	DIODE				1SR154-400 TE25	G2070684		1	
D 1005	DIODE				DA204K T146	G2070388		1	
D 1007	DIODE				DAN202K T146	G2070182		1	
D 1009	DIODE				1SS355 TE-17	G2070470		1	
D 1010	DIODE				1SS355 TE-17	G2070470		1	
D 1011	DIODE				DAN202K T146	G2070182		1	
D 1013	DIODE				DA204K T146	G2070388		1	
D 1015	DIODE				DAN202K T146	G2070182		1	
D 1016	DIODE				DAN202K T146	G2070182		1	
D 1019	DIODE				1SS355 TE-17	G2070470		1	
D 1020	DIODE				DA204K T146	G2070388		1	
D 1022	DIODE				DAN202K T146	G2070182		1	
D 1024	DIODE				1SR154-400 TE25	G2070684		1	
D 1025	DIODE				1SR154-400 TE25	G2070684		1	
D 1026	DIODE				DA204K T146	G2070388		1	
D 1028	DIODE				U1ZB8.2(TE12R)	G2070686		1	
D 1034	DIODE				1SS355 TE-17	G2070470		1	
D 1037	DIODE				1SR154-400 TE25	G2070684		1	
D 1038	DIODE				1SR154-400 TE25	G2070684		1	
J 1001	CONNECTOR				53258-0210	P0091197		1	
J 1002	CONNECTOR				SC25-08WL	P0090715		1	
J 1004	CONNECTOR				TCS7567-01-401	P1091071		1	
J 1005	CONNECTOR				SC25-05WL	P0090638		1	
J 1006	CONNECTOR				SC25-09WS	P0090628		1	
J 1010	CONNECTOR				SC25-07WL	P0090714		1	
L 1001	M.RFC	220uH			FLC32T-221J	L1690231		1	
Q 1001	IC				UPC7808AHF	G1092258		1	
Q 1002	IC				TA8409F(EL)	G1092584		1	
Q 1003	IC				UPD4001BG-T2	G1091025		1	
Q 1004	TRANSISTOR				DTA143EK T146	G3070010		1	
Q 1005	TRANSISTOR				DTC114EK T146	G3070002		1	
Q 1006	TRANSISTOR				2SA1179M6-TA	G3111797F		1	
Q 1007	IC				NJM2902M(TE1)	G1093092		1	
Q 1008	IC				NJM2902M(TE1)	G1093092		1	
Q 1009	IC				NJM2904M(TE2)	G1093091		1	
Q 1010	PHOTO COUPLER				TLP521-2(GB)	G0090032		1	
Q 1012	PHOTO COUPLER				TLP521-2(GB)	G0090032		1	
Q 1014	TRANSISTOR				DTC114EK T146	G3070002		1	
Q 1015	TRANSISTOR				DTA143EK T146	G3070010		1	
Q 1016	TRANSISTOR				DTA143EK T146	G3070010		1	
Q 1017	TRANSISTOR				DTA143EK T146	G3070010		1	

REF.	DESCRIPTION	VALUE	V/W	TOL.	MFR'S DESIG	VXSTD P/N	VERS.	LOT.	LAYADR
Q 1019	TRANSISTOR				DTD143TK T146	G3070250		1	
Q 1020	TRANSISTOR				DTD143TK T146	G3070250		1	
Q 1021	TRANSISTOR				DTC114EK T146	G3070002		1	
Q 1022	TRANSISTOR				DTC124TK T146	G3070031		1	
Q 1023	TRANSISTOR				DTC124TK T146	G3070031		1	
Q 1028	IC				UPC78L05J	G1090848		1	
Q 1029	IC				PIC16C54	G1093005		1	
Q 1032	TRANSISTOR				2SC2812L6-TA	G3328127F		1	
Q 1038	IC				UPC7812AHF	G1092257		1	
Q 1039	IC				NJM2904M(TE2)	G1093091		1	
R 1001	CHIPRES.	1ohm	1W	5%	RMC1 1R0JTE	J24305010		1	
R 1002	CHIPRES.	2.2kohm	1/10W	5%	RMC1/10T 222J	J24205222		1	
R 1003	CHIPRES.	8.2kohm	1/10W	5%	RMC1/10T 822J	J24205822		1	
R 1004	CHIPRES.	22ohm	1/2W	5%	RMC1/2 220JCTP	J24275220		1	
R 1005	CHIPRES.	10kohm	1/10W	5%	RMC1/10T 103J	J24205103		1	
R 1006	CHIPRES.	68kohm	1/10W	5%	RMC1/10T 683J	J24205683		1	
R 1008	CHIPRES.	10kohm	1/10W	5%	RMC1/10T 103J	J24205103		1	
R 1010	CHIPRES.	68kohm	1/10W	5%	RMC1/10T 683J	J24205683		1	
R 1011	CHIPRES.	100kohm	1/10W	5%	RMC1/10T 104J	J24205104		1	
R 1012	CHIPRES.	100ohm	1/4W	5%	RMC1/4 101JATP	J24245101		1	
R 1013	CHIPRES.	100ohm	1/4W	5%	RMC1/4 101JATP	J24245101		1	
R 1014	CHIPRES.	4.7kohm	1/10W	5%	RMC1/10T 472J	J24205472		1	
R 1017	CHIPRES.	10kohm	1/10W	5%	RMC1/10T 103J	J24205103		1	
R 1018	CHIPRES.	51kohm	1/10W	5%	RMC1/10T 513J	J24205513		1	
R 1019	CHIPRES.	22kohm	1/10W	5%	RMC1/10T 223J	J24205223		1	
R 1020	CHIPRES.	47kohm	1/10W	5%	RMC1/10T 473J	J24205473		1	
R 1021	CHIPRES.	47kohm	1/10W	5%	RMC1/10T 473J	J24205473		1	
R 1022	CHIPRES.	47kohm	1/10W	5%	RMC1/10T 473J	J24205473		1	
R 1023	CHIPRES.	15kohm	1/10W	5%	RMC1/10T 153J	J24205153		1	
R 1024	CHIPRES.	3.9kohm	1/10W	5%	RMC1/10T 392J	J24205392		1	
R 1025	CHIPRES.	47kohm	1/10W	5%	RMC1/10T 473J	J24205473		1	
R 1026	CHIPRES.	470ohm	1/10W	5%	RMC1/10T 471J	J24205471		1	
R 1027	CHIPRES.	47kohm	1/10W	5%	RMC1/10T 473J	J24205473		1	
R 1028	CHIPRES.	470ohm	1/10W	5%	RMC1/10T 471J	J24205471		1	
R 1029	CHIPRES.	1kohm	1/4W	5%	RMC1/4 102JATP	J24245102		1	
R 1030	CHIPRES.	270ohm	1/10W	5%	RMC1/10T 271J	J24205271		1	
R 1031	CHIPRES.	100kohm	1/10W	5%	RMC1/10T 104J	J24205104		1	
R 1032	CHIPRES.	2.2kohm	1/10W	5%	RMC1/10T 222J	J24205222		1	
R 1033	CHIPRES.	680ohm	1/4W	5%	RMC1/4 681JATP	J24245681		1	
R 1034	CHIPRES.	1Mohm	1/10W	5%	RMC1/10T 105J	J24205105		1	
R 1035	CHIPRES.	6.8kohm	1/10W	5%	RMC1/10T 682J	J24205682		1	
R 1036	CHIPRES.	1Mohm	1/10W	5%	RMC1/10T 105J	J24205105		1	
R 1037	CHIPRES.	47kohm	1/10W	5%	RMC1/10T 473J	J24205473		1	
R 1038	CHIPRES.	220kohm	1/10W	5%	RMC1/10T 224J	J24205224		1	
R 1039	CHIPRES.	220kohm	1/10W	5%	RMC1/10T 224J	J24205224		1	
R 1040	CHIPRES.	2.2kohm	1/10W	5%	RMC1/10T 222J	J24205222		1	
R 1041	CHIPRES.	22kohm	1/10W	5%	RMC1/10T 223J	J24205223		1	
R 1042	CHIPRES.	390ohm	1/10W	5%	RMC1/10T 391J	J24205391		1	
R 1043	CHIPRES.	220kohm	1/10W	5%	RMC1/10T 224J	J24205224		1	
R 1044	CHIPRES.	220kohm	1/10W	5%	RMC1/10T 224J	J24205224		1	
R 1045	CHIPRES.	15kohm	1/10W	5%	RMC1/10T 153J	J24205153		1	
R 1046	CHIPRES.	1Mohm	1/10W	5%	RMC1/10T 105J	J24205105		1	
R 1047	CHIPRES.	27kohm	1/10W	5%	RMC1/10T 273J	J24205273		1	
R 1048	CHIPRES.	680ohm	1/4W	5%	RMC1/4 681JATP	J24245681		1	
R 1049	CHIPRES.	1Mohm	1/10W	5%	RMC1/10T 105J	J24205105		1	
R 1050	CHIPRES.	2.2kohm	1/10W	5%	RMC1/10T 222J	J24205222		1	
R 1051	CHIPRES.	100kohm	1/10W	5%	RMC1/10T 104J	J24205104		1	
R 1052	CHIPRES.	47kohm	1/10W	5%	RMC1/10T 473J	J24205473		1	
R 1053	CHIPRES.	47kohm	1/10W	5%	RMC1/10T 473J	J24205473		1	
R 1054	CHIPRES.	56kohm	1/10W	5%	RMC1/10T 563J	J24205563		1	
R 1055	CHIPRES.	10kohm	1/10W	5%	RMC1/10T 103J	J24205103		1	
R 1058	CHIPRES.	68kohm	1/10W	5%	RMC1/10T 683J	J24205683		1	
R 1059	CHIPRES.	10kohm	1/10W	5%	RMC1/10T 103J	J24205103		1	
R 1060	CHIPRES.	68kohm	1/10W	5%	RMC1/10T 683J	J24205683		1	
R 1061	CHIPRES.	10kohm	1/10W	5%	RMC1/10T 103J	J24205103		1	
R 1062	CHIPRES.	10kohm	1/10W	5%	RMC1/10T 103J	J24205103		1	
R 1063	CHIPRES.	10kohm	1/10W	5%	RMC1/10T 103J	J24205103		1	
R 1066	CHIPRES.	10kohm	1/10W	5%	RMC1/10T 103J	J24205103		1	

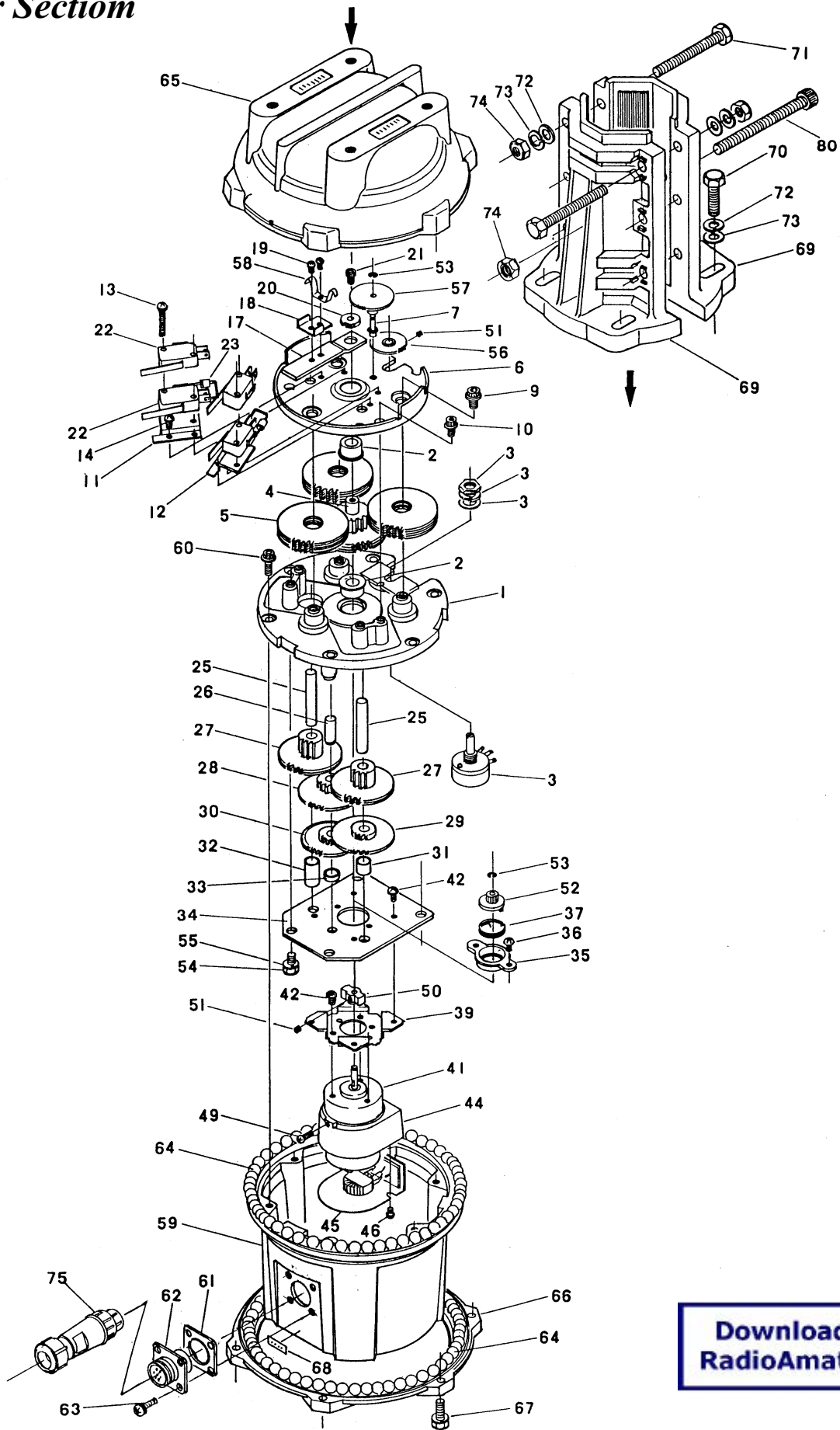
Parts List

REF.	DESCRIPTION	VALUE	V/W	TOL.	MFR'S DESIG	VXSTD P/N	VERS.	LOT.	LAYADR
R 1071	CHIPRES.	10kohm	1/10W	5%	RMC1/10T 103J	J24205103		1	
R 1072	CHIPRES.	220kohm	1/10W	5%	RMC1/10T 224J	J24205224		1	
R 1073	CHIPRES.	10kohm	1/10W	5%	RMC1/10T 103J	J24205103		1	
R 1074	CHIPRES.	470ohm	1/10W	5%	RMC1/10T 471J	J24205471		1	
R 1075	CHIPRES.	47kohm	1/10W	5%	RMC1/10T 473J	J24205473		1	
R 1076	CHIPRES.	47kohm	1/10W	5%	RMC1/10T 473J	J24205473		1	
R 1077	CHIPRES.	47kohm	1/10W	5%	RMC1/10T 473J	J24205473		1	
R 1078	CHIPRES.	39kohm	1/10W	5%	RMC1/10T 393J	J24205393		1	
R 1079	CHIPRES.	4.7kohm	1/10W	5%	RMC1/10T 472J	J24205472		1	
R 1080	CHIPRES.	220ohm	1/4W	5%	RMC1/4 221JATP	J24245221		1	
R 1081	CHIPRES.	10kohm	1/10W	5%	RMC1/10T 103J	J24205103		1	
R 1086	CHIPRES.	4.7kohm	1/10W	5%	RMC1/10T 472J	J24205472		1	
R 1087	CHIPRES.	5.6kohm	1/10W	5%	RMC1/10T 562J	J24205562		1	
R 1089	CHIPRES.	100kohm	1/10W	5%	RMC1/10T 104J	J24205104		1	
R 1090	CHIPRES.	470ohm	1/10W	5%	RMC1/10T 471J	J24205471		1	
R 1091	CHIPRES.	3.3kohm	1/10W	5%	RMC1/10T 332J	J24205332		1	
R 1092	CHIPRES.	5.6kohm	1/10W	5%	RMC1/10T 562J	J24205562		1	
R 1093	CHIPRES.	2.2kohm	1/10W	5%	RMC1/10T 222J	J24205222		1	
R 1094	CHIPRES.	100kohm	1/10W	5%	RMC1/10T 104J	J24205104		1	
R 1096	CHIPRES.	220kohm	1/10W	5%	RMC1/10T 224J	J24205224		1	
R 1097	CHIPRES.	8.2kohm	1/10W	5%	RMC1/10T 822J	J24205822		1	
R 1110	CHIPRES.	10kohm	1/10W	5%	RMC1/10T 103J	J24205103		1	
R 1111	CHIPRES.	10kohm	1/10W	5%	RMC1/10T 103J	J24205103		1	
R 1112	CHIPRES.	68kohm	1/10W	5%	RMC1/10T 683J	J24205683		1	
R 1118	CHIPRES.	470ohm	1/10W	5%	RMC1/10T 471J	J24205471		1	
R 1119	CHIPRES.	10kohm	1/10W	5%	RMC1/10T 103J	J24205103		1	
R 1120	CHIPRES.	47kohm	1/10W	5%	RMC1/10T 473J	J24205473		1	
R 1121	CHIPRES.	10kohm	1/4W	5%	RMC1/4 103JATP	J24245103		1	
R 1134	CHIPRES.	0ohm	1/10W	5%	RMC1/10T 000J	J24205000		1	
R 1135	CHIPRES.	1.2kohm	1/8W	5%	RMC1/8T 122J	J24215122		1	
R 1136	CHIPRES.	1kohm	1/8W	5%	RMC1/8T 102J	J24215102		1	
S 1001	SLIDE SWITCH				SSSU112-P06N1	N6090104		1	
VR1001	POT.	10kohm			EVN-D2AA03B14 10KB	J50781103		1	
VR1002	POT.	10kohm			EVN-D2AA03B14 10KB	J50781103		1	
VR1003	POT.	10kohm			EVN-D2AA03B14 10KB	J50781103		1	
VR1004	POT.	10kohm			EVN-D2AA03B14 10KB	J50781103		1	
VR1005	POT.	10kohm			EVN-D2AA03B14 10KB	J50781103		1	
VR1006	POT.	10kohm			EVN-D8AA03B14 10K	S8100220		1	
VR1007	POT.	10kohm			EVN-D8AA03B14 10K	S8100220		1	
X 1001	CERAMIC OSC	4 MHz			CST4.00MGW	H7901360		1	
*** PS Unit ***									
PCB with Components						S8101196		1	
C 1056	CERAMIC CAP.	0.001uF	100V	CH	GRM42-6CH102J100PT	K22201202		1	
C 1057	CERAMIC CAP.	0.001uF	100V	CH	GRM42-6CH102J100PT	K22201202		1	
C 1058	CERAMIC CAP.	0.001uF	100V	CH	GRM42-6CH102J100PT	K22201202		1	
C 1059	CERAMIC CAP.	0.001uF	100V	CH	GRM42-6CH102J100PT	K22201202		1	
C 1060	AL.ELECTRO.CAP.	1000uF	63V		RJ3-63V102M 1000UF	K40189009		1	
C 1061	CHIPCAP.	0.01uF	50V	B	GRM40B103K50PT	K22170826		1	
C 1062	CHIPCAP.	0.01uF	50V	B	GRM40B103K50PT	K22170826		1	
C 1063	AL.ELECTRO.CAP.	22uF	50V		RE2-50V220M 22UF	K40179042		1	
C 1064	CHIPCAP.	0.1uF	50V	F	GRM42-6F104Z50PT	K22172009		1	
C 1065	CERAMIC CAP.	0.0047uF	500V	B	RQC12B472K-L46AU	K10279024		1	
D 1029	DIODE				U1ZB8.2(TE12R)	G2070686		1	
D 1030	DIODE				U1ZB22(TE12R)	G2070712		1	
D 1031	DIODE				1SR154-400 TE25	G2070684		1	
D 1032	DIODE				1SR154-400 TE25	G2070684		1	
D 1033	DIODE				U1ZB10(TE12R)	G2070714		1	
FH1001	FUSECLIP				7157(20MM)	P2000062		1	
J 1003	CONNECTOR				5273-03A	P0090237		1	
J 1007	CONNECTOR				53258-0710	P0091242		1	
J 1009	CONNECTOR				53258-0210	P0091197		1	
J 1011	CONNECTOR				SC25-07WS	P0090626		1	
Q 1024	TRANSISTOR				2SB1181-TLQ	G3070068		1	
Q 1025	TRANSISTOR				2SC2812L6-TA	G3328127F		1	
Q 1026	TRANSISTOR				2SC2812L6-TA	G3328127F		1	
Q 1027	TRANSISTOR				2SC2812L6-TA	G3328127F		1	

REF.	DESCRIPTION	VALUE	V/W	TOL.	MFR'S DESIG	VXSTD P/N	VERS.	LOT.	LAYADR
Q 1030	PHOTO COUPLER				TLP521-1(GB)	G0090023		1	
Q 1031	TRANSISTOR				2SC2812L6-TA	G3328127F		1	
R 1098	METAL FILM RES.	330ohm	2W	10%	RS2B 2W K 330	J20336331		1	
R 1099	CHIPRES.	4.7kohm	1/2W	5%	RMC1/2 472JCTP	J24275472		1	
R 1100	CHIPRES.	1.5kohm	1/2W	5%	RMC1/2 152JCTP	J24275152		1	
R 1101	CHIPRES.	180ohm	1/10W	5%	RMC1/10T 181J	J24205181		1	
R 1102	CHIPRES.	1.2kohm	1/8W	5%	RMC1/8T 122J	J24215122		1	
R 1103	CHIPRES.	220ohm	1/8W	5%	RMC1/8T 221J	J24215221		1	
R 1104	CHIPRES.	10kohm	1/10W	5%	RMC1/10T 103J	J24205103		1	
R 1105	CHIPRES.	1kohm	1/4W	5%	RMC1/4 102JATP	J24245102		1	
R 1106	CHIPRES.	6.8kohm	1/8W	5%	RMC1/8T 682J	J24215682		1	
R 1107	CHIPRES.	2.2kohm	1/8W	5%	RMC1/8T 222J	J24215222		1	
R 1108	CHIPRES.	10kohm	1/4W	5%	RMC1/4 103JATP	J24245103		1	
R 1109	CHIPRES.	1kohm	1/10W	5%	RMC1/10T 102J	J24205102		1	
R 1114	CHIPRES.	3.3kohm	1/4W	5%	RMC1/4 332JATP	J24245332		1	
R 1115	CHIPRES.	10kohm	1/10W	5%	RMC1/10T 103J	J24205103		1	
R 1116	CHIPRES.	3.3kohm	1/8W	5%	RMC1/8T 332J	J24215332		1	
R 1133	CHIPRES.	1kohm	1/8W	5%	RMC1/8T 102J	J24215102		1	
RL1001	RELAY		DC12V		FBR522ND12-W DC12V	M1190147		1	

G-2800DXA Technical Information

Rotator Section



Downloaded by
RadioAmateur.EU

G-2800DXA Technical Information

Rotator Section

No.	DESCRIPTION	VX STD P/N
1	Base	S8001193
2	Bearing	S8001194
3	Pot.	S8100317
4	Gear Ass'y	S8001195
5	Idle Gear	S8001196
6	Gear Box Upper Plate (include No. 7)	S8001197
7	Gear Shaft	---
8	Not Used	---
9	M6X8 Frange Socket	S8001198
10	M5X8 Frange Socket	S8001199
11	Limit Switch Mounting Braket #1	S8001200
12	Limit Switch Mounting Braket #2	S8001201
13	M3X25 Screw	S8001202
14	M4X6 Screw	S8001203
15	Not Used	---
16	Not Used	---
17	Stopper	S8001204
18	Lever Push Plate	S8001205
19	M3X5 Screw	S8001206
20	VR Drive Gear	S8001207
21	M4X8 Cap Screw	S8001208
22	Limit Switch	N7090087
23	Diode (GP-30M)	
24	Not Used	---
25	Gear Shaft #2	S8001209
26	Gear Shaft #1	S8001210
27	Gear Ass'y	S8001211
28	Gear Ass'y	S8001212
29	Gear Ass'y	S8001213
30	Gear Ass'y	S8001214
31	Spacer	S8001215
32	Spacer	S8001216
33	Collar	S8001217
34	Gear Box Lower Plate	S8001218
35	Brake Drum	S8001174
36	M3X8 Screw	S8001219
37	Coil Spring	S8000948
38	Not Used	---
39	Motor Mount Plate	S8001220
40	Not Used	---

No.	DESCRIPTION	VX STD P/N
41	DC Motor (DME44SB)	S8100381
42	M3X8 Screw	S8001221
43	Not Used	---
44	Shield Box	S8000955
45	Shield Plate Ass'y	S8100315
46	M3X6 Screw	S8000373
47	Not Used	---
48	Not Used	---
49	M3X8 Screw	S8001222
50	Brake Spring Winder	S8000952
51	M3X3 Set Screw (winder)	S8000953
52	Motor Piniob Gear	S8000947
53	"E" Ring Retainer	S8000946
54	M8X10 Bolt (include No. 55)	S8001223
55	M8 Split Washer	S8001010
56	Gear Ass'y	S8001224
57	Gear #1	S8000069
58	Leaf Spring	S8001225
59	Case	S8001226
60	M5X15 Frange Socket	S8001227
61	Soket Gasket	S8000943
62	Socket	S8100313
63	M3X10 Screw	S8001228
64	Ball Bearing	S8001229
65	Cover	S8001230
66	Housing Ring	S8001231
67	M6X20 Bolt	S8000645
68	Name Plate	---
69	Mast Clamp	S8001233
70	M8X30 Bolt	S8001012
71	M8X70 Bolt	S8001008
72	M8 Flat Washer	S8001009
73	M8 Spring Washer	S8001010
74	M8 Nut	S8001011
75	6-pin Plug	S8100321
76	Not Used	---
77	Not Used	---
78	Not Used	---
79	Not Used	---
80	M8X95 Bolt	S8001234

Downloaded by
RadioAmateur.EU