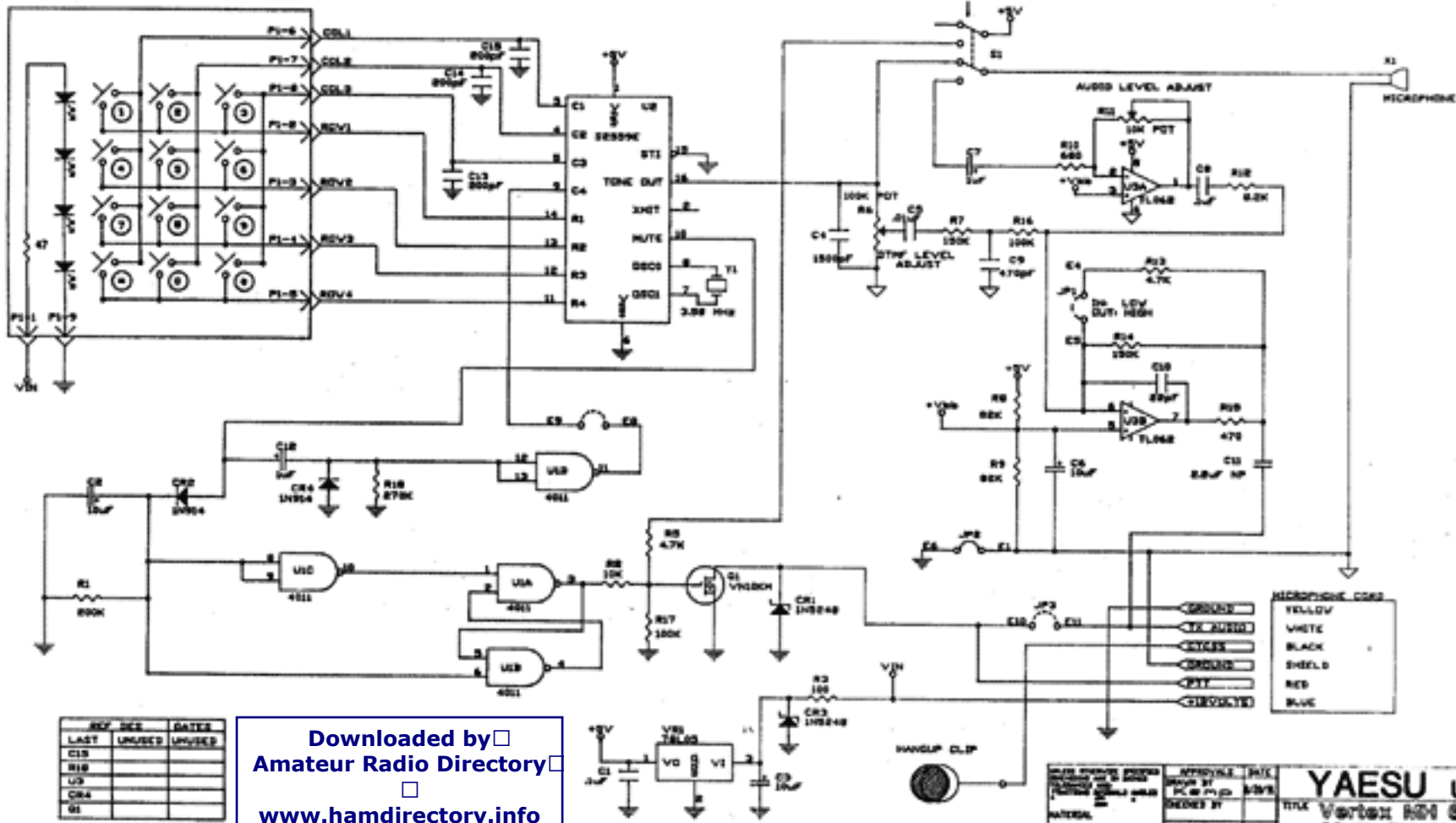


NOTES:

1. ALL RESISTORS 1/8W 5% TOL. CARBON FILM TYPES UNLESS OTHERWISE NOTED.
2. RESISTANCES ARE IN OHMS.
3. ALL CAPACITORS 50V MONOLITHIC CERAMIC TYPES UNLESS OTHERWISE NOTED.
4. CAPACITANCES IN MICROFARADS.
5. ANALOG GROUND REPRESENTED AS ⚡

REVISION CONTROL				
ZONE	LTR	DESCRIPTION	DATE	APPROVED

KEYPAD PCB



REV	DATE	BY
LAST		

Downloaded by Amateur Radio Directory

www.hamdirectory.info

DESIGN ENGINEER	APPROVED BY	DATE	YAESU U.S.A.
DRAWN BY	DATE	REV	
MATERIAL	APPROVED BY	DATE	TRX Vertex RM 8000
FORM	APPROVED BY	DATE	SCHEMATIC DIAGRAM
CONTRACT NO.	APPROVED BY	DATE	07119VTX
			REV E

GROUND	YELLOW
VX AUDIO	WHITE
PTT	BLACK
GROUND	SHIELD
PTT	RED
GROUND	BLUE