

PHONE PATCH/SPEAKER

SP-767P

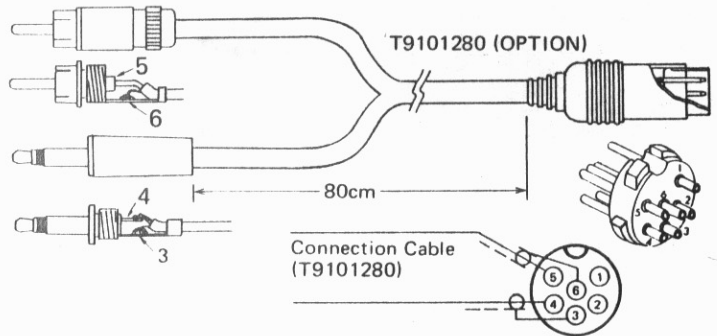
GENERAL

The YAESU model SP-767P Phone Patch/Speaker is designed to be used with the FT-767 series HF transceiver, providing hybrid phone patch operation as well as an external speaker unit.

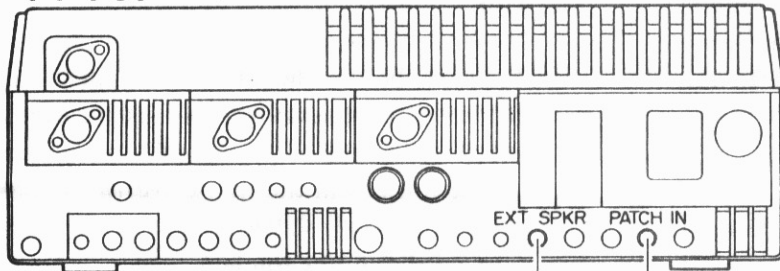
All the operating controls are conveniently located on the front panel of the compact housing, which matches the FT-767 series in styling. Jacks are provided on the rear panel for making the necessary external connections.

INSTALLATION

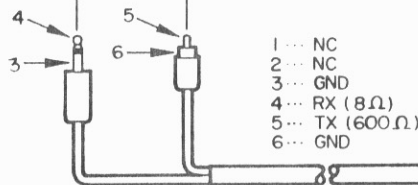
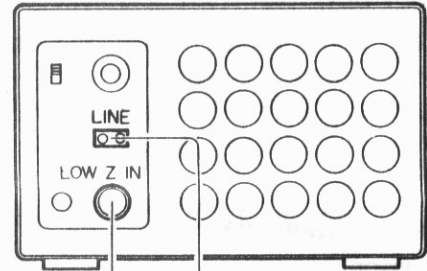
Installation of this unit consists of connecting the telephone line to the jack marked LINE, and making the other interconnections shown in the drawings.



FT-767

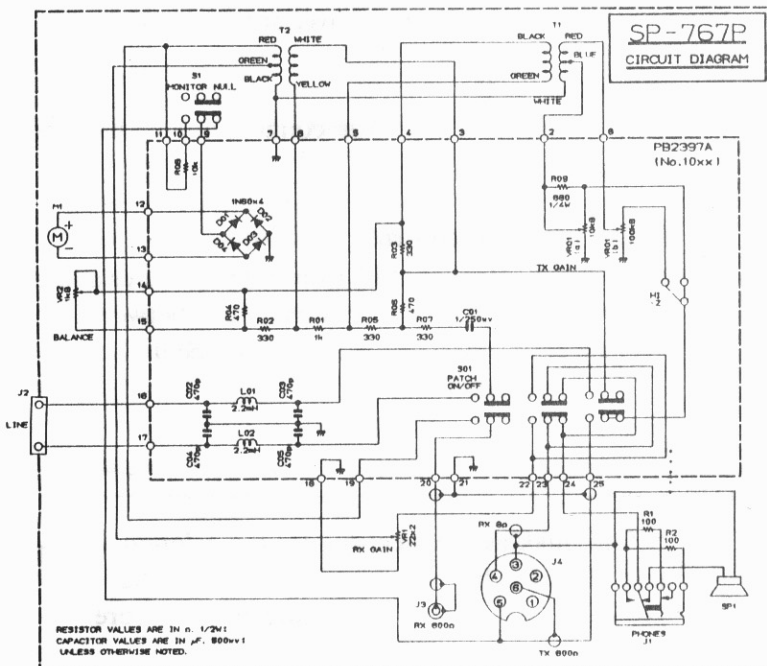


SP-767P



- 1 ... NC
- 2 ... NC
- 3 ... GND
- 4 ... RX (8Ω)
- 5 ... TX (600Ω)
- 6 ... GND

TELEPHONE LINE



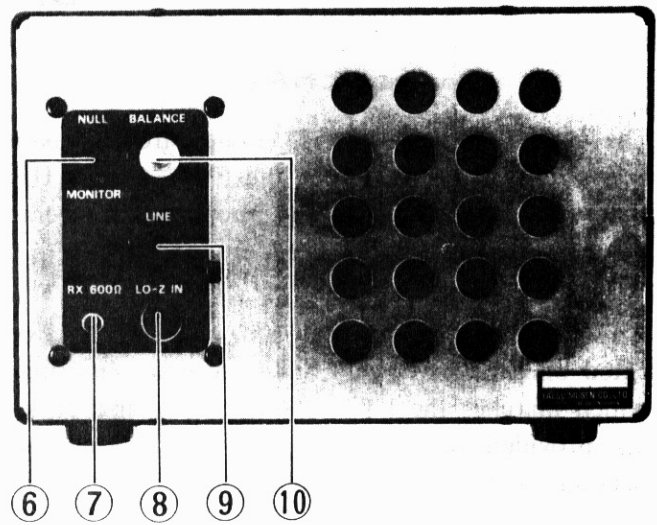
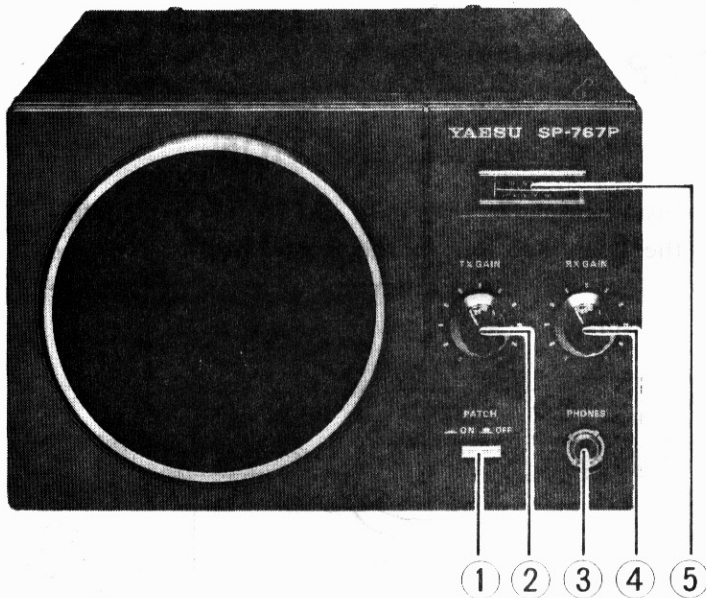
Downloaded by Amateur Radio Directory
www.hamdirectory.info

YAESU
YAESU MUSEN CO., LTD.

C.P.O. BOX 1500
TOKYO, JAPAN

FRONT PANEL CONTROLS

REAR APRON



(1) PATCH Switch

In the "ON" position, the hybrid circuit is connected to the phone lines and transceiver is ready for phone patch operation. The built-in speaker is disconnected. When this switch is placed in the "OFF" position, the phone patch is disconnected from the phone lines, and the built-in speaker is connected to the transceiver.

(2) TX GAIN Control

This potentiometer controls the amplitude of the phone signal fed to the microphone input of the transceiver.

(3) PHONES

This standard 1/4-inch phone jack accepts your headphone plug.

(4) RX GAIN Control

This potentiometer controls the amplitude of the received signal fed to the phone lines.

(5) METER

The meter indicates the signal level fed to the phone lines from the transceiver while on receive. The meter also is used to measure the balance for the hybrid circuit, in conjunction with the MONITOR/NULL switch and the BALANCE control on the rear panel.

(6) MONITOR/NULL switch

This switch is placed in the NULL position while adjusting the balance of the hybrid circuit.

It must be in the MONITOR position for phone patch operation. In this position, the meter will indicate the signal level fed to the phone lines from the transceiver.

(7) RECEIVER 600 Ohm jack

This jack is used with receivers of 600 ohm audio output impedance.

(8) LOW-Z IN jack

Through the LOW-Z IN jack, connections for the speaker output and the microphone input to the FT-767 transceiver are accomplished.

(9) LINE jack

This jack is used for connection to the telephone lines.

(10) BALANCE control

This control is used to null the receiver audio output, thus providing isolation between the receiver audio and the microphone input.

NOTE

In some countries (such as the USA) the law requires that the phone patch operator contact the telephone company or appropriate government office to obtain authorization

before making connection to the telephone line. It may be necessary to install or have installed a protective interfacing device before connecting the SP-767P.

OPERATION

Phone Patch operation may be performed either manually, using the PTT (push-to-talk) method, or automatically using the VOX (voice actuated transmit) circuit in the FT-767. While the manual method does not require balance adjustment of the bridge circuit in the SP-767P, it does necessitate the manual PTT switching (via the MOX switch or PTT) by the phone patch operator at each "over" during the patched conversation. Therefore, most operators prefer to use the VOX method for phone patching whenever possible. This requires that the bridge circuit in the SP-767P be balanced according to the Null Alignment described below, and that the telephone line signal be of good quality, free from noise and distortion. The telephone line impedance should be 600 ohms. When these conditions can not be met, the manual phone patch method must be used.

Before commencing phone patch operation, request the person on the telephone to speak in a clear, normal voice, and to use the word "over" whenever they finish speaking and expect a response from the other radio station (if they are unfamiliar with phone patch conversation). This will serve as notice to switch the FT-767 to receive (if operating with the manual method), and will help prevent "doubling" with the other station if using the VOX method.

During all phone patch operation the patch operator should monitor both sides of the conversation at all times (usually required by law). This can be done using a telephone at the operating position.

Manual Phone Patch Operation

1. With the FT-767 set for normal reception of the station for whom the patch is being made, set the VOX GAIN, DELAY, and MIC GAIN controls all fully counterclockwise. On the SP-767P, preset the RX GAIN and TX GAIN controls to their 12 o'clock positions.
2. Bring the telephoned party onto the line, and after instructing them about phone patch operation ask them to please stand by.
3. Switch the SP-767P ON, and set the AF GAIN control on the FT-767 to the 10 o'clock position. Now adjust the RX GAIN control on the SP-767P for a comfortable volume in the telephone receiver.
4. To transmit, depress the MOX switch or close the PTT and advance the MIC GAIN control on the FT-767 while speaking into the telephone and watching the ALC indication on the FT-767 to obtain a normal ALC level (as in regular SSB operation). Invite the person on the telephone to speak (now over the air), and repeak the MIC GAIN slightly for optimum ALC indication. Remember to switch back to receive when they say "over".

Null Alignment

1. With the SP-767P switched OFF, preset the RX GAIN and TX GAIN controls fully clockwise. Set the NULL/MONITOR switch on the rear panel to NULL.
2. On the rear panel of the FT-767, set the MARKER switch ON, and tune the VFO to obtain a 1 kHz tone from the marker. (This can be done by setting the MODE selector to CW, the APF button to ON and the APF frequency control to the 12 o'clock position. Now tune the VFO for a peak volume on the marker heterodyne.)
3. Set the VOX GAIN control on the FT-767 fully counterclockwise, and lift the telephone handset from the cradle. Switch the SP-767P ON/OFF switch to ON, and advance the AF GAIN control on the FT-980 fully clockwise (maximum).
4. Adjust the BALANCE control on the rear panel of the SP-767P to obtain minimum deflection on the meter of the SP-767P.
5. Switch the MARKER on the FT-767 OFF and reduce the AF GAIN control to the 10 o'clock position. Return the NULL/MONITOR switch on the rear of the SP-767P to the MONITOR position.

Voice Controlled Operation (VOX)

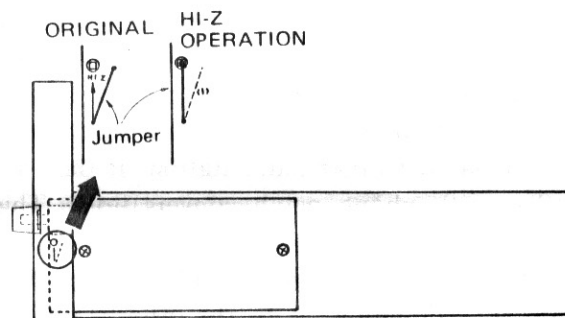
Before beginning VOX operation of the phone patch, perform the preceding Null Alignment procedure and set up the FT-767 for SSB operation with VOX as described in the FT-767 Instruction Manual. Once this has been done, follow the same procedure as for manual operation, advancing the VOX GAIN control on the FT-767 just to the point where the voice of the person on the telephone will activate the transmitter (instead of using the MOX or PTT switch). Now adjust the DELAY control for stable transmission and return to reception after they stop speaking. Adjust the A-TRIP control on the rear panel of the FT-767, if necessary, to prevent the received signal from keying the VOX circuit (and activating the transmitter) when the person on the telephone is not speaking.

If difficulty is encountered in obtaining the correct setting of the VOX GAIN and A-TRIP controls for smooth operation, set the NULL/BALANCE switch on the rear panel of the SP-767P to the NULL position, and again adjust the BALANCE control slightly for minimum meter deflection while receiving the signal from over the air. If the instability persists, reduce the AF GAIN control on the FT-767 slightly.

Modification for High Impedance Microphone Input

If the SP-767P is to be used with a transceiver that requires a high impedance microphone (such as the FT-101/B/E/F transceivers), change the jumper wire connection as shown in the diagram and according to the following steps:

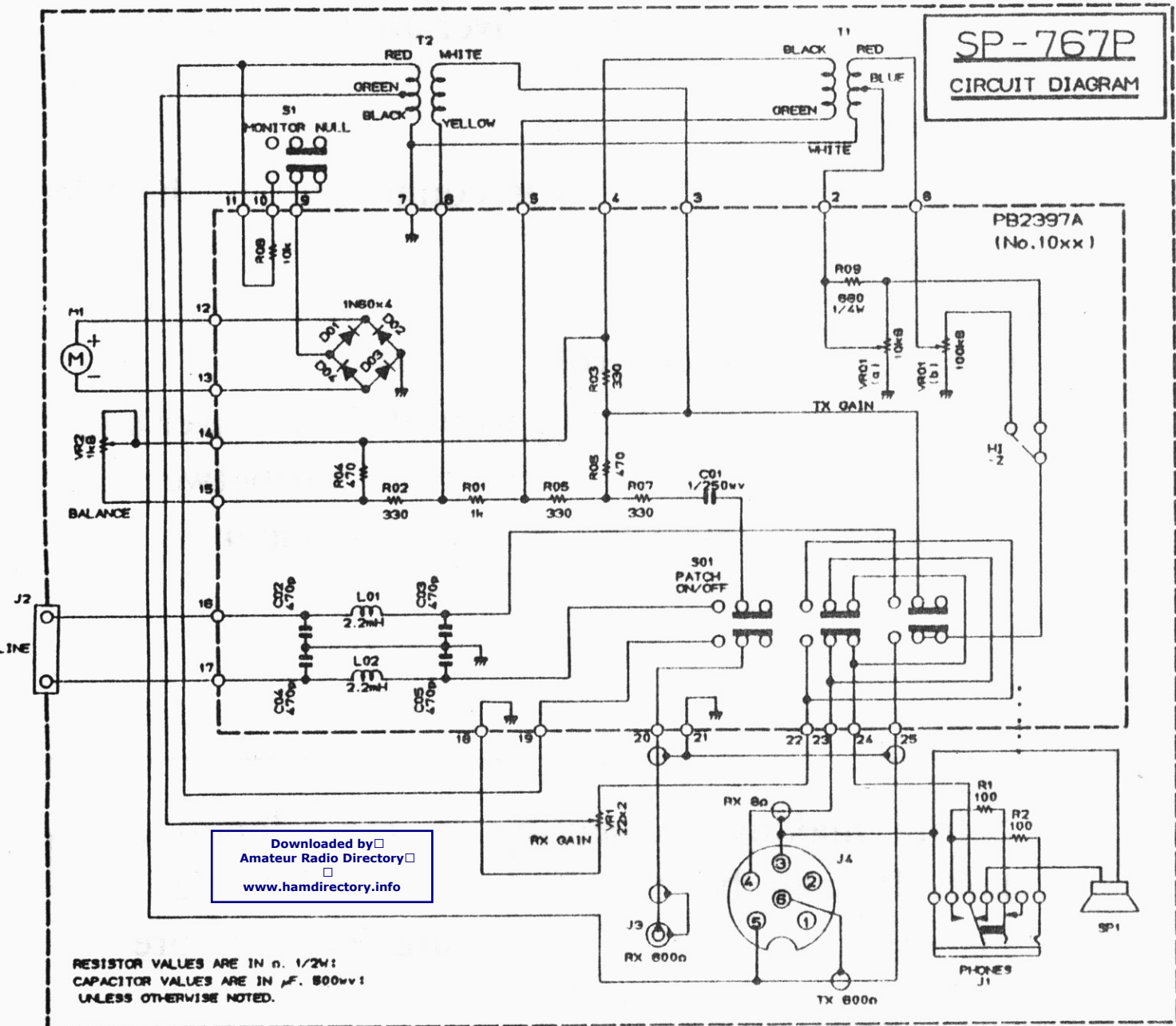
1. Remove the eight screws affixing the case, and slide the chassis forward.
2. Referring to the figure below, locate the impedance jumper on the right side of the chassis.
3. Disconnect this jumper from the LO-Z terminal, and reconnect it to the HI-Z terminal.
4. Slide the chassis back into the case, and replace the screws.



PARTS LIST

Symbol Number	Part Number	Description	Symbol Number	Part Number	Description
PB-2397A	F0002397A	P.C. Board	TRANSFORMER		
	C0023970	P.C. Board with Components	T1	L2030073	600Ω-50kΩ/600Ω
DIODE			T2	L2030074	600Ω/4Ω-600Ω
D1001~1004	G2090029	Ge 1N60	METER		
RESISTOR			M1	M0290001	AP-120
R1,R2	J01275101	Carbon Film 1/2W TJ 100Ω	SPEAKER		
R1001	J01275102	" " " " 1kΩ	SP1	M4090056	SE-120AF 8Ω 3W
R1002,1003 1005,1007	J01275331	" " " " 330Ω	SWITCH		
R1004,1006	J01275471	" " " " 470Ω	S1001	N4090064	SUF12 EUA47
R1008	J01275103	" " " " 10kΩ	TERMINAL BOARD		
R1009	J02245681	" " 1/4W SJ 680Ω	SQ1	Q9000212	(VR2,J2,J3,J4,S2)
POTENTIOMETER			VR2		Potentiometer 1kΩB (N246)
VR1	J61800020	VR 22Ω×2	J2		2P Jack (TD532)
VR1001	J61800015	" 10KB/100KB	J3		RCA Phono Jack
CAPACITOR			J4		6P DIN Jack (MJ54)
C1001	K52240001	Metallized Polyester Film 250WV 1μF	S2		Slide Switch (OS-22-09)
C1002~1005	K00279002	Ceramic disc 500V 470pF			Plastic board (KPL-2901)
INDUCTOR			MISCELLANEOUS		
L1001,1002	L1190034	FL7H222J 2.2mH	J1	P1090134	Phones Jack (SG-7627)
				Q5000011	Wrapping Terminal C

SP-767P CIRCUIT DIAGRAM



Downloaded by Amateur Radio Directory
www.hamdirectory.info

RESISTOR VALUES ARE IN Ω , 1/2W;
 CAPACITOR VALUES ARE IN μ F, 500v;
 UNLESS OTHERWISE NOTED.