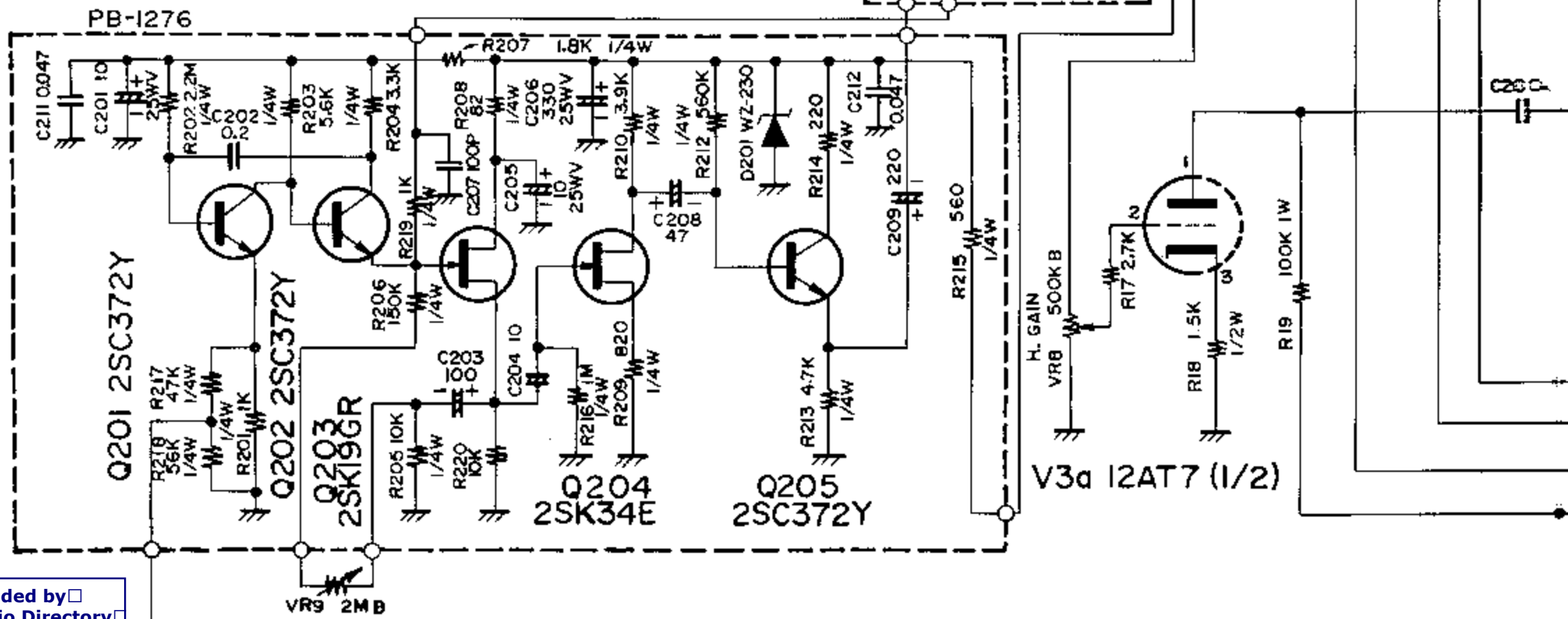
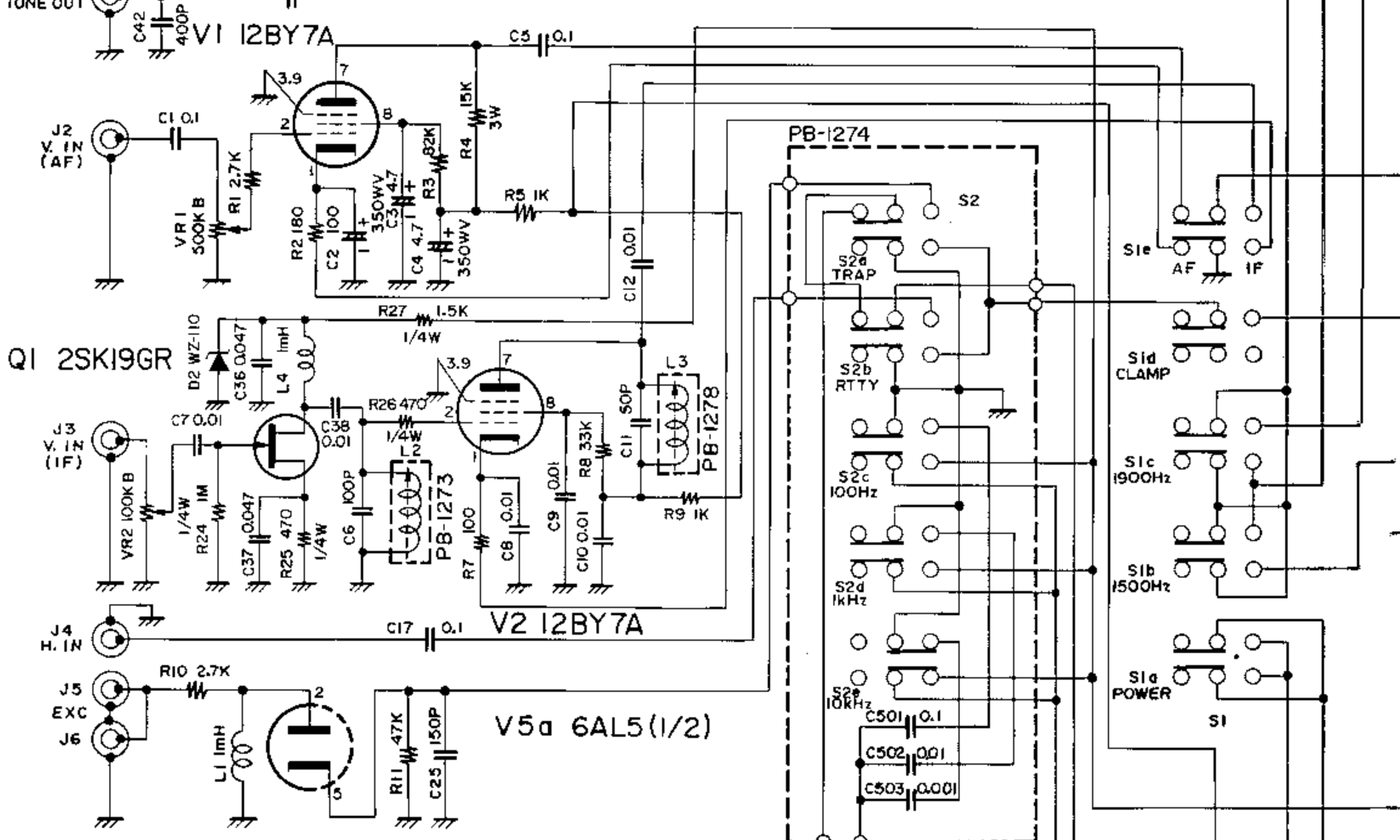
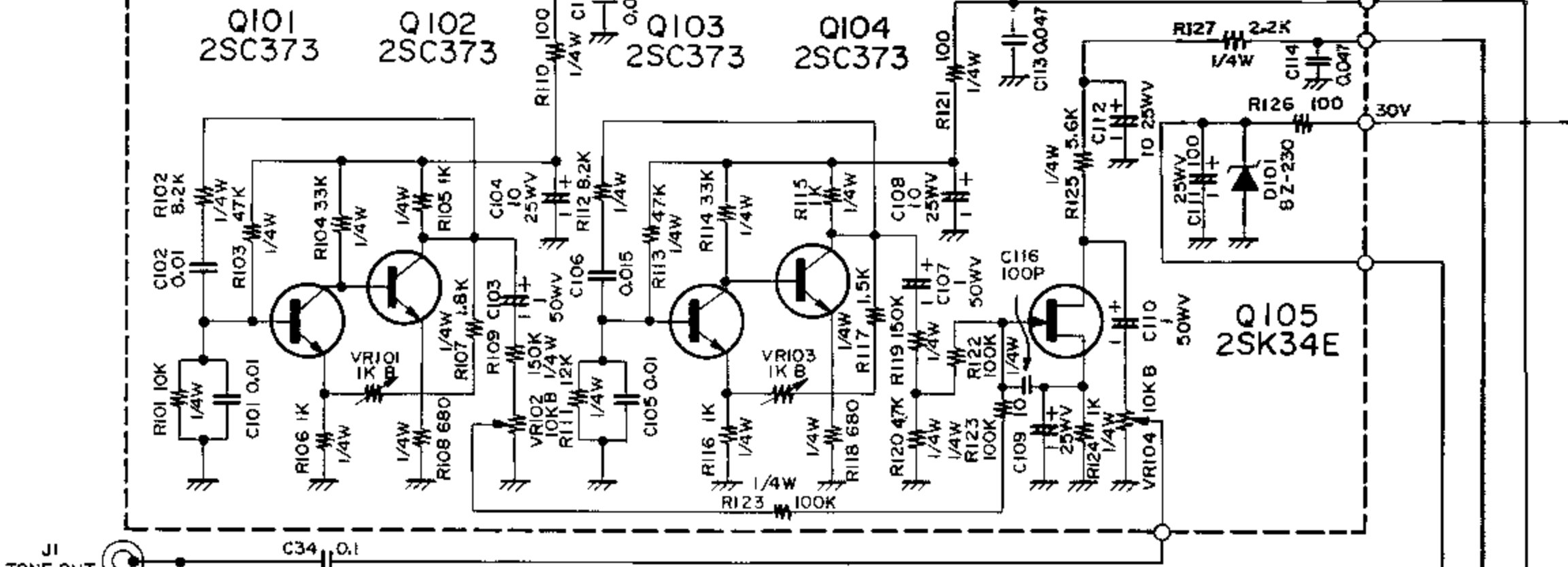


PB-1275B



NOTE:

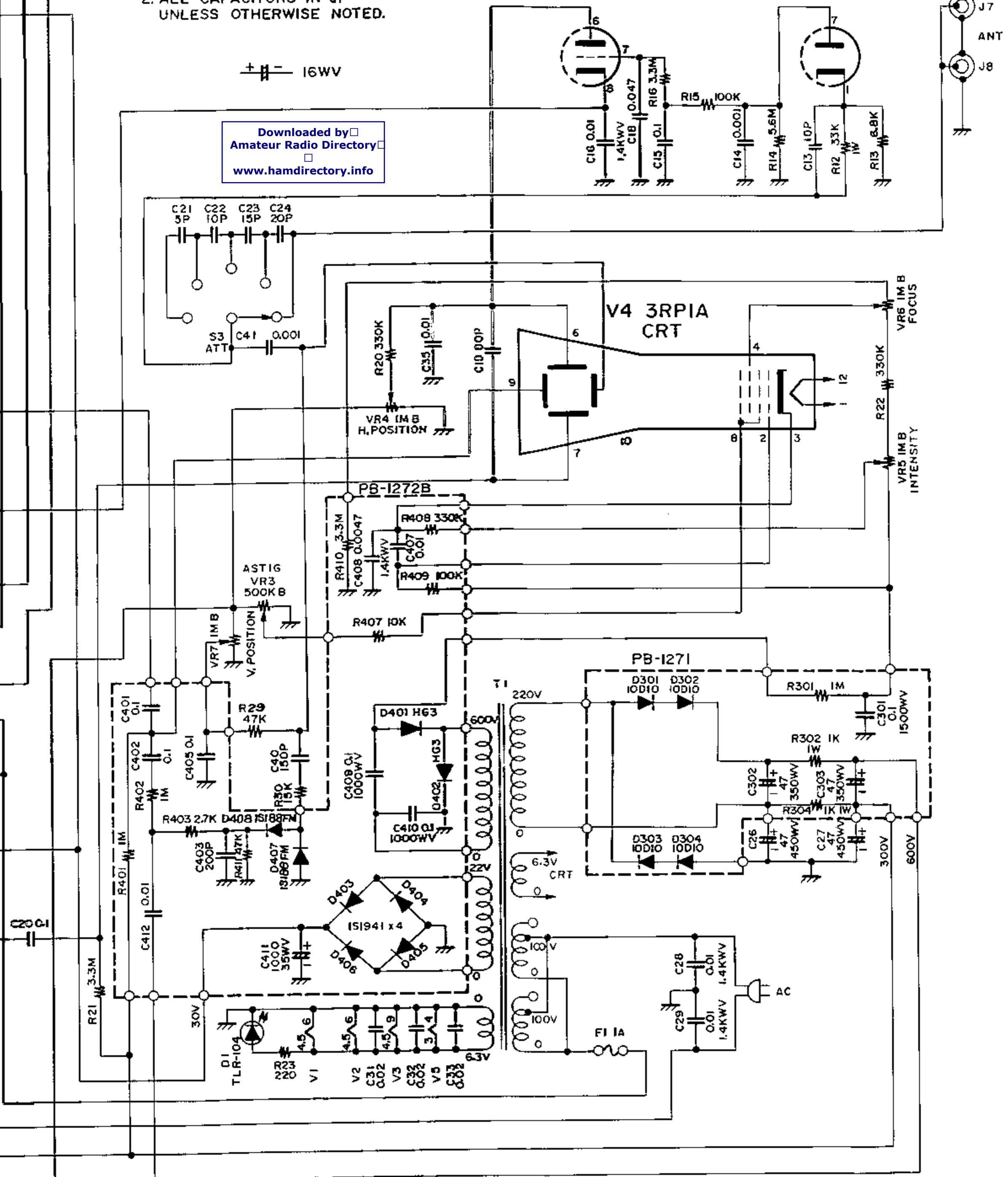
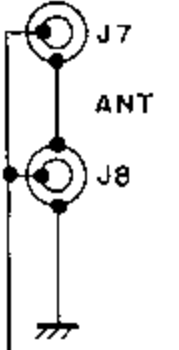
1. ALL RESISTORS IN Ω 1/2W $\pm 10\%$ UNLESS OTHERWISE NOTED.
2. ALL CAPACITORS IN μF UNLESS OTHERWISE NOTED.

+ - 16WV

Downloaded by
Amateur Radio Directory
www.hamdirectory.info

V3b 12AT7 (1/2)

V5b 6AL5 (1/2)



YO-100
CIRCUIT DIAGRAM