



G-450A

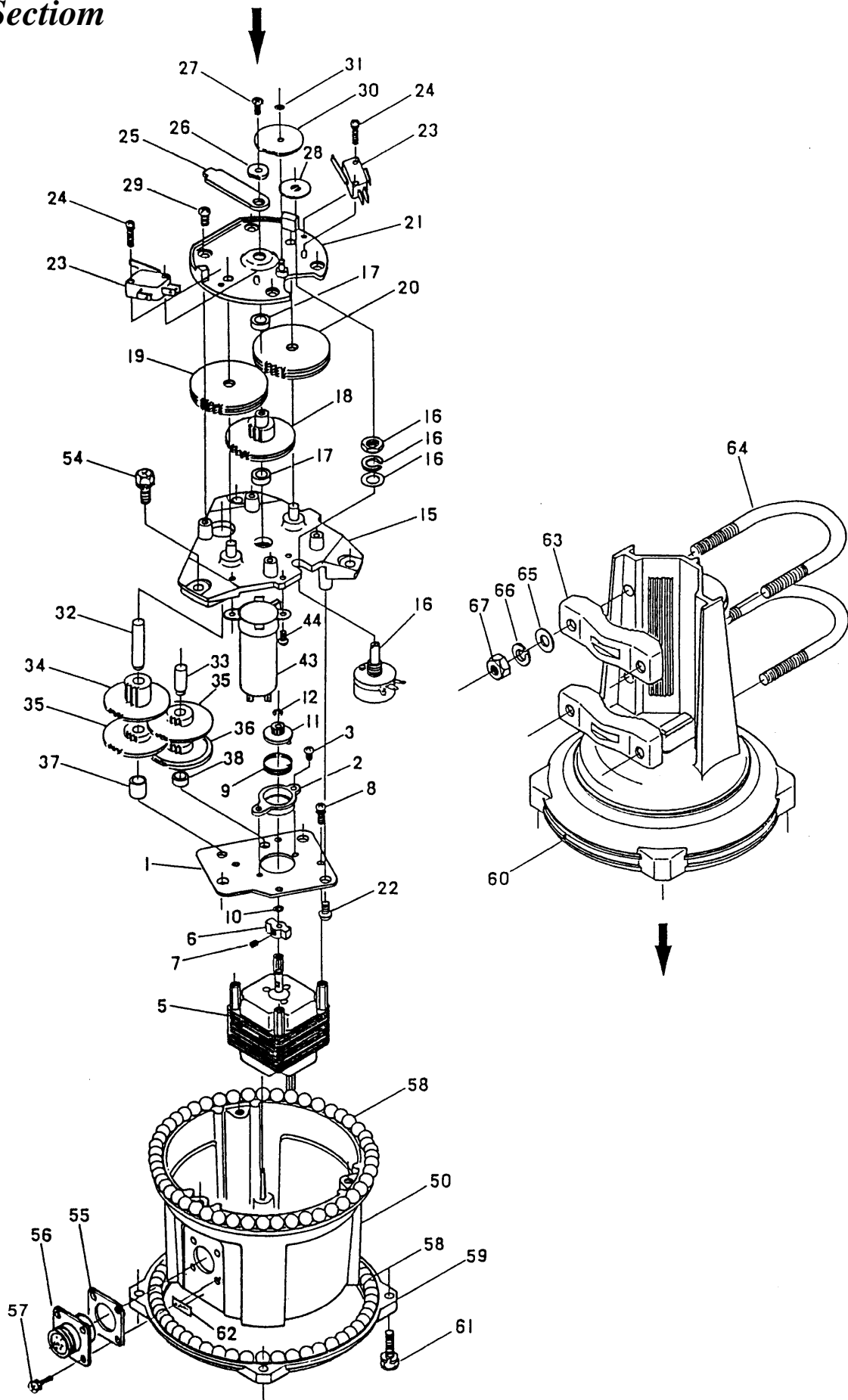
Antenna Rotator & Controller

Technical Information

VERTEX STANDARD CO., LTD.

G-450A Technical Information

Rotator Section



G-450A Technical Information

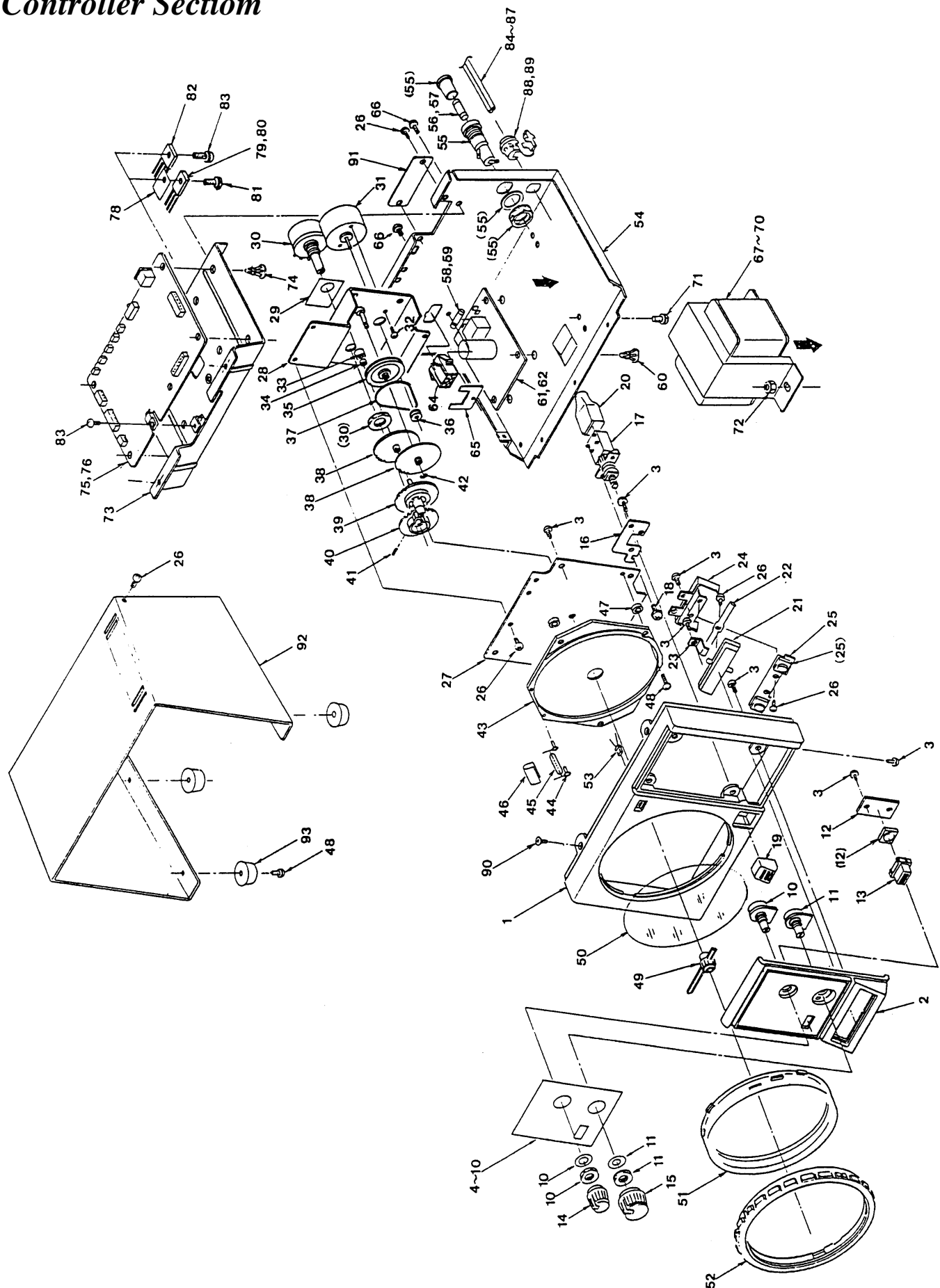
Rotator Section

No.	DESCRIPTION	VX STD P/N
1	Lower Plate	S8001255
2	Brake Drum	S8001174
3	Binding Screw	S8000369
4	–	–
5	Motor	S8100440
6	Brake Spring Winder	S8000952
7	M3X3 Set Screw	S8000953
8	M3X8 Screw	S8001256
9	Coil Spring	S8001257
10	“O” Ring 4X6	S8001258
11	Motor Pinion Gear	S8000947
12	“E” Ring Retainer	S8000946
13	–	–
14	–	–
15	Gear Base	S8001259
16	VR	S8100317
17	Bearing	S8001260
18	Gear Assy	S8001261
19	Gear	S8001262
20	–	–
21	Upper Plate	S8001264
22	4X8 Screw	S8001265
23	Micro Switch	S8100441
24	M3X15 Screw	S8000803
25	Stopper	S8001266
26	VR Gear	S8001267
27	M4X8 Screw	S8001268
28	VR Gear	S8001269
29	4X10 Screw	S8001270
30	Control Gear #1	S8000457
31	Retainer Ring	S8000393
32	Gear Shaft #3B	S8001271

No.	DESCRIPTION	VX STD P/N
33	Gear Shaft #3A	S8001272
34	Gear Assy	S8001273
35	Gear Assy	S8001213
36	Gear	S8001274
37	Collar L=10	S8001275
38	Collar L=4	S8001276
39	–	–
40	–	–
41	–	–
42	–	–
43	Capacitor 60VAC/100uF	Q9000477
44	3X6 Screw	S8000369
45	–	–
46	–	–
47	–	–
48	–	–
49	–	–
50	Lower Housing	S8000360
51	–	–
52	–	–
53	–	–
54	M6X16 Bolt	S8001277
55	Socket Gasket	S8001502
56	7-Pin Socket	S8100640
57	M3X10 Screw	S8001667
58	Ball Bearing	S8000364
59	Ring Housing	S8001173
60	Cover	S8001278
61	M6X20 Bolt	S8001279
62	–	–
63	Pipe Clamp	S8000224
64	M8 U-Bolt	S8001282
65	M8 Washer	S8001283
66	M8 Spring Washer	S8001284
67	M8 Nut	S8001285

G-450A Technical Information

Controller Section



G-450A Technical Information

Controller Section

No.	DESCRIPTION	VX STD P/N
1	Front Panel	S8001655
2	–	–
3	–	–
4	–	–
5	Power Switch	S8100752
6	L/Rotation Switch	S8101135
7	R/Rotation Switch	S8101135
8	Overlap LED	S8100437
9	LED PCB	S8100438
10	3X8 Screw	S8000785
11	Gear Base	S8000811
12	VR	S8100317
13	Motor	M2190008
14	M2.6X5 Screw for Motor	S8000788
15	Collar	S8000795
16	3X5.5 Spacer	S8000794
17	Large Pulley	S8000789
18	Rubber Belt	S8000738
19	Gear #1	S8000790
20	Pulley	S8000787
21	Gear #1	S8000790
22	“E” Ring	S8000791
23	Gear #2	S8000792
24	VR Gear	S8000159
25	M3X3 VR Gear Set Screw	S8000793
26	Indicator Plate	S8000155
27	3X6 Screw	S8000796
28	Spacer	S8000160
29	DIAL Scale	S8000161
30	Eyelet	S8000797

No.	DESCRIPTION	VX STD P/N
31	Lamp	Q1000068
32	–	–
33	M3X10 Screw	S8000798
34	Indicating Needle	S8000162
35	Indicator Needle Set Screw	S8000799
36	Chassis	S8001689
37	Power Transformer	S8100753
38	M4X10 Screw	S8000800
39	M4 Nuts	S8000801
40	Fuse Holder	S8100754
41	Fuse (0.5A)	Q0000035
42	Board Chassis	S8001660
43	Board Spacer	S8001661
44	PCB Assy	S8100755
45	M3X8 Screw	S8001669
46	Fuse Holder	S8100756
47	M3X8 Screw	S8001670
48	Fuse (3A)	Q0000025
49	M3 Cap Nuts	S8001668
50	Cable Clamp	S8001662
51	–	–
52	Terminal	S8100757
53	Terminal Stopper Plate	S8001663
54	M3X6 Screw	S8000870
55	M3X8 Screw	S8001671
56	Power Cord (EU)	S8100759
57	Power Cord (UK)	S8100760
58	Power Cord Clamp	S8001665
59	Cover	S8001664
60	Rubber Foot	S8000173

