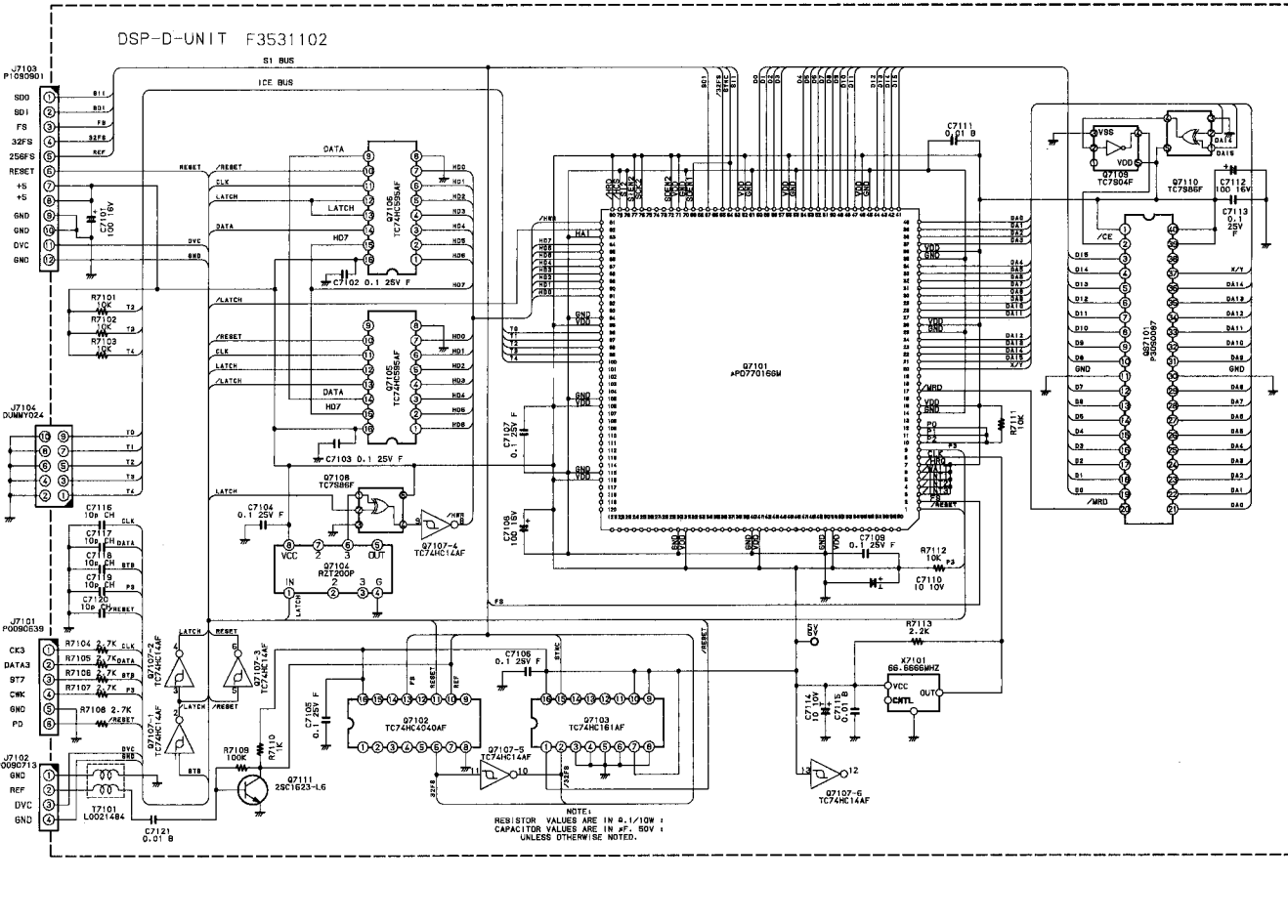
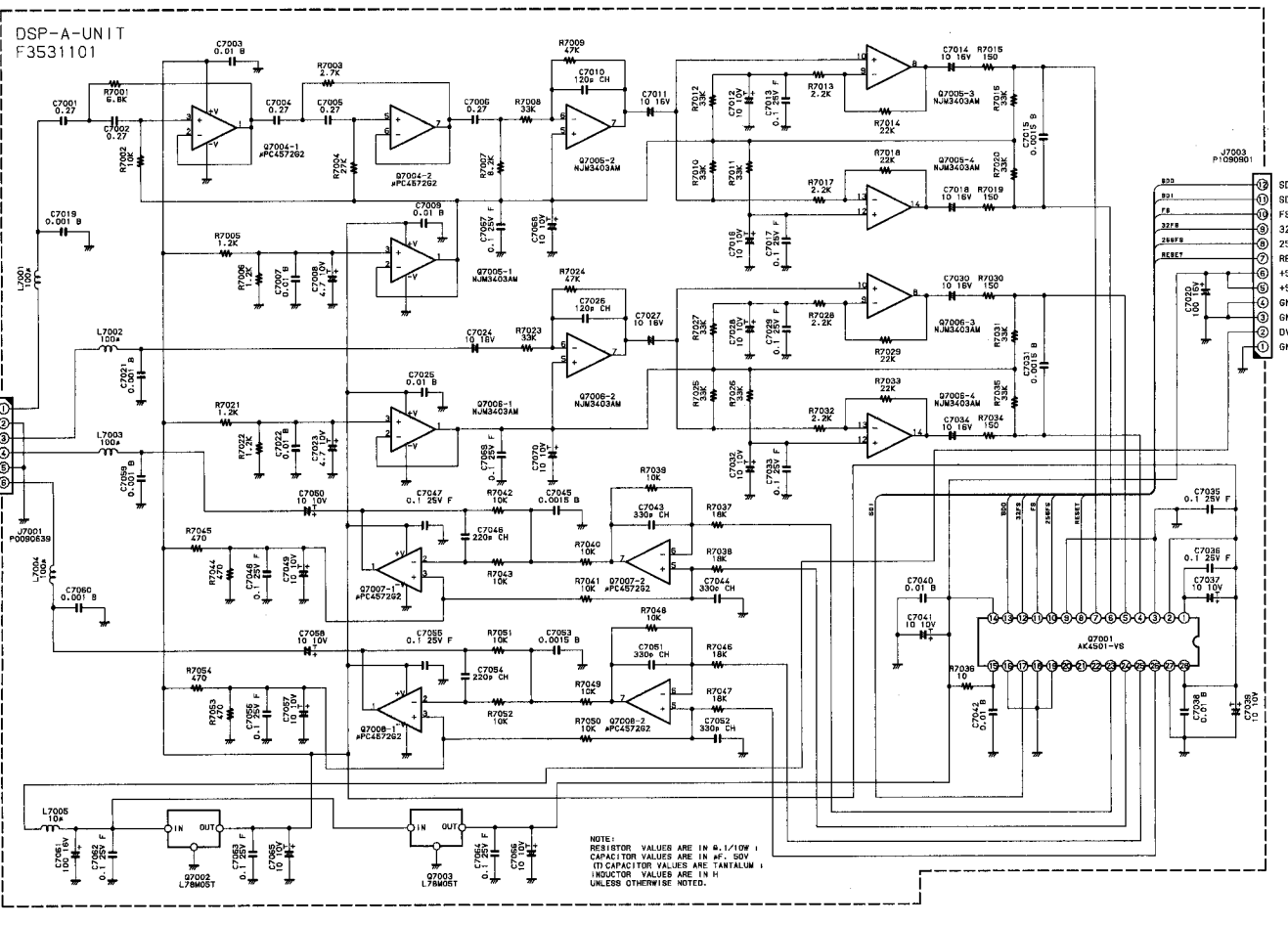
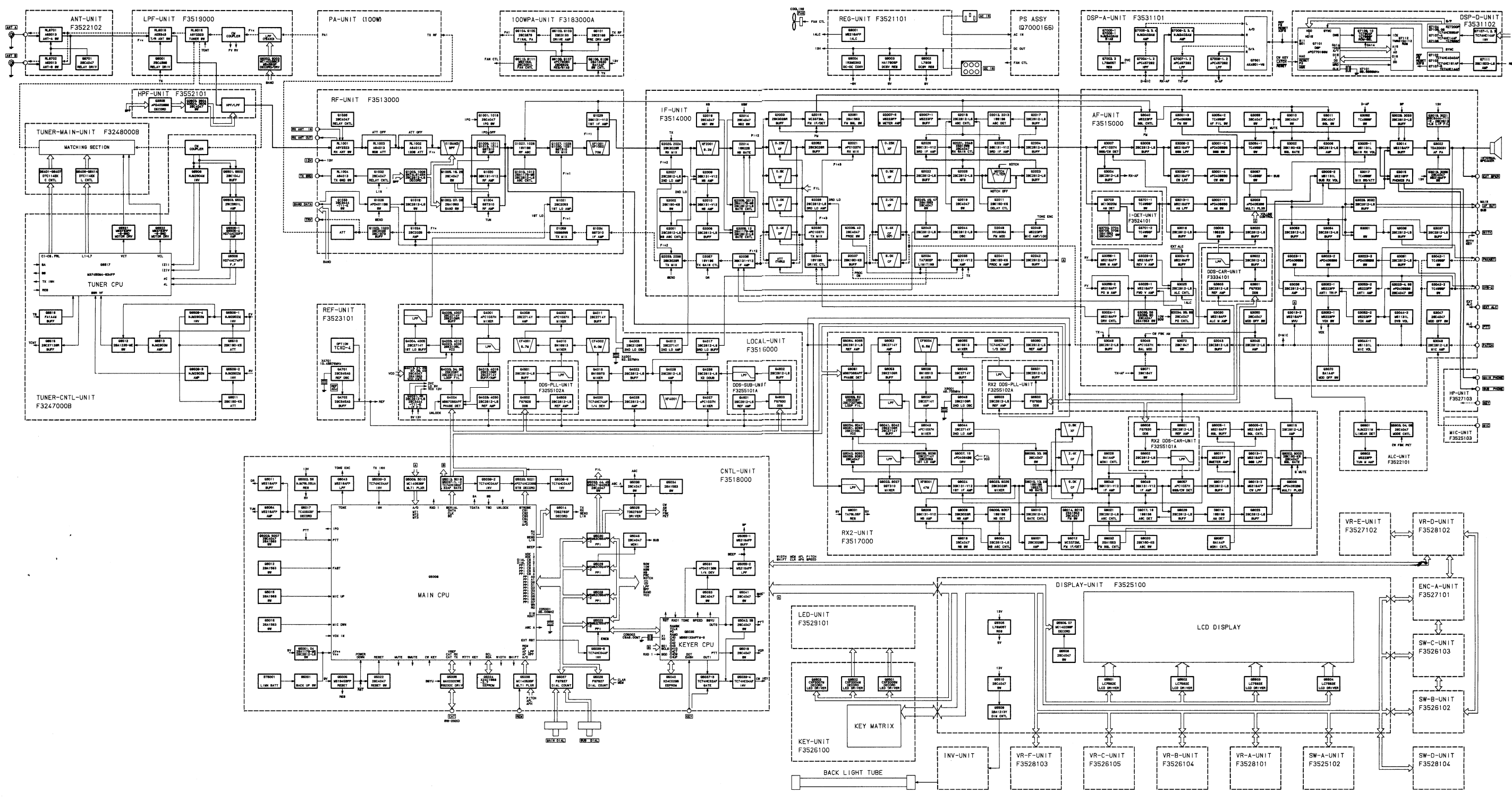


**Downloaded by
RadioAmateur.EU**



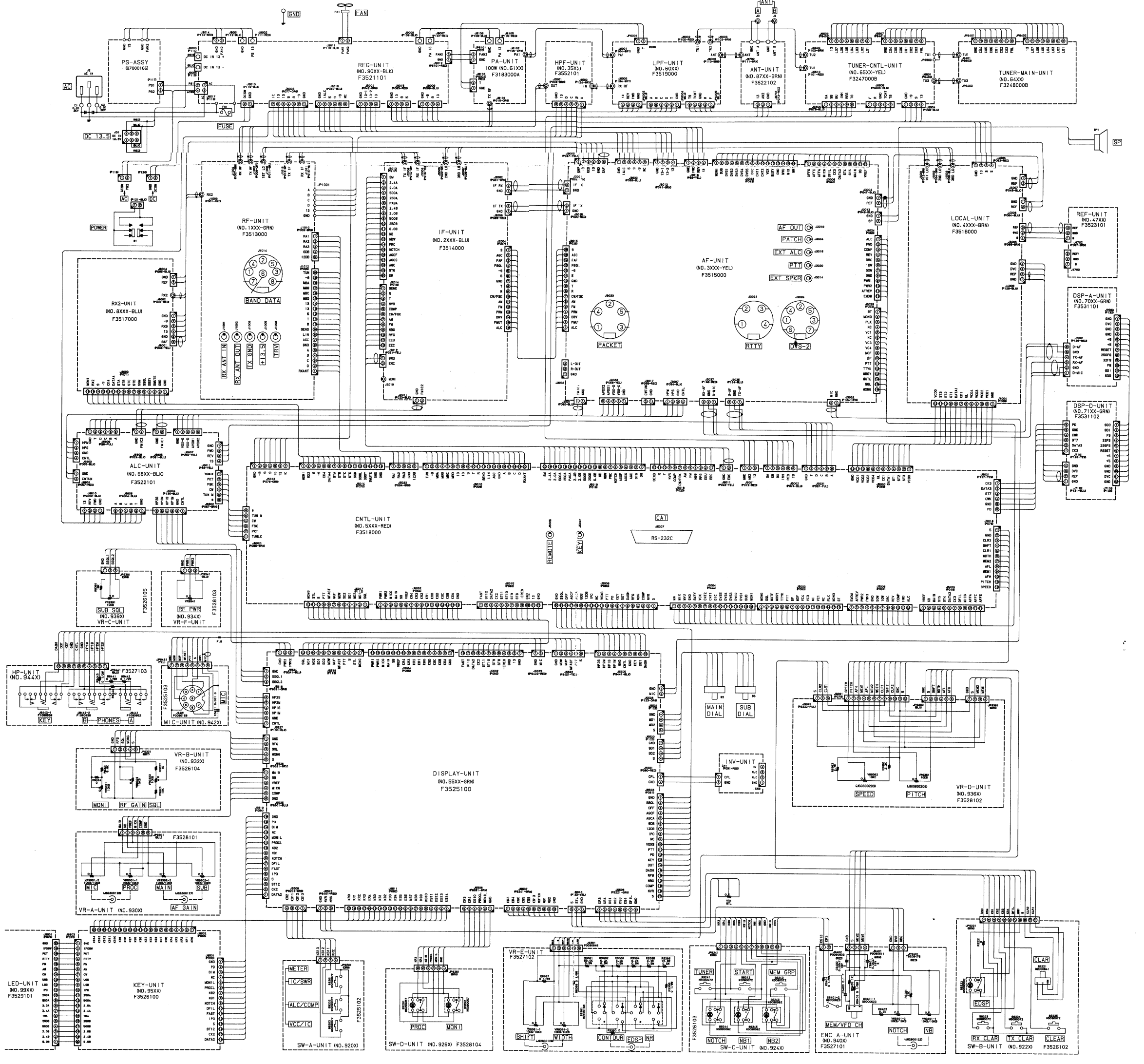
NOTE:
RESISTOR VALUES ARE IN Ω, 1/10Ω,
10Ω, 100Ω, 1KΩ, 10KΩ, 100KΩ,
1MΩ, UNLESS OTHERWISE NOTED.
CAPACITOR VALUES ARE IN pF,
nF, μF, UNLESS OTHERWISE NOTED.

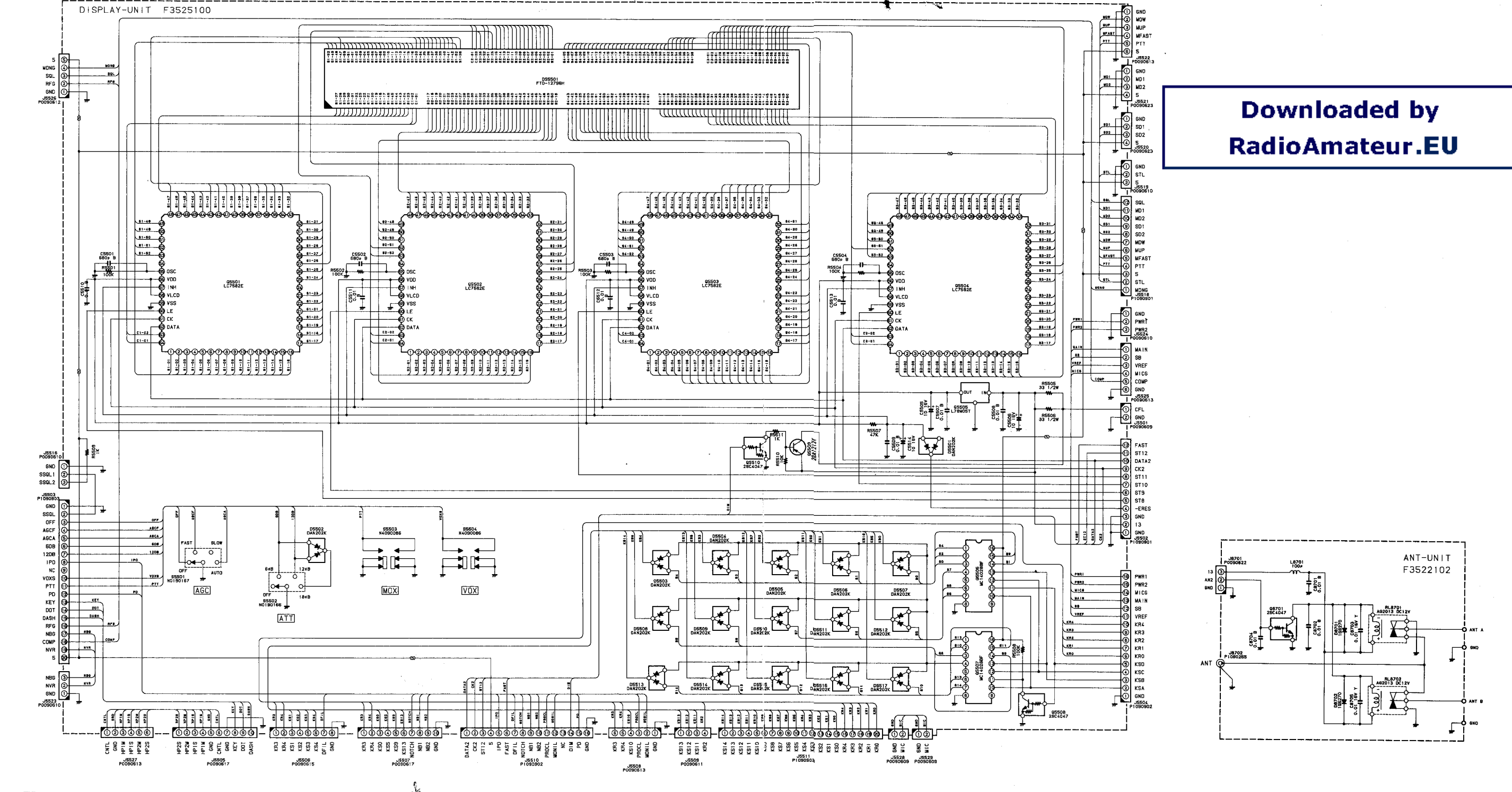
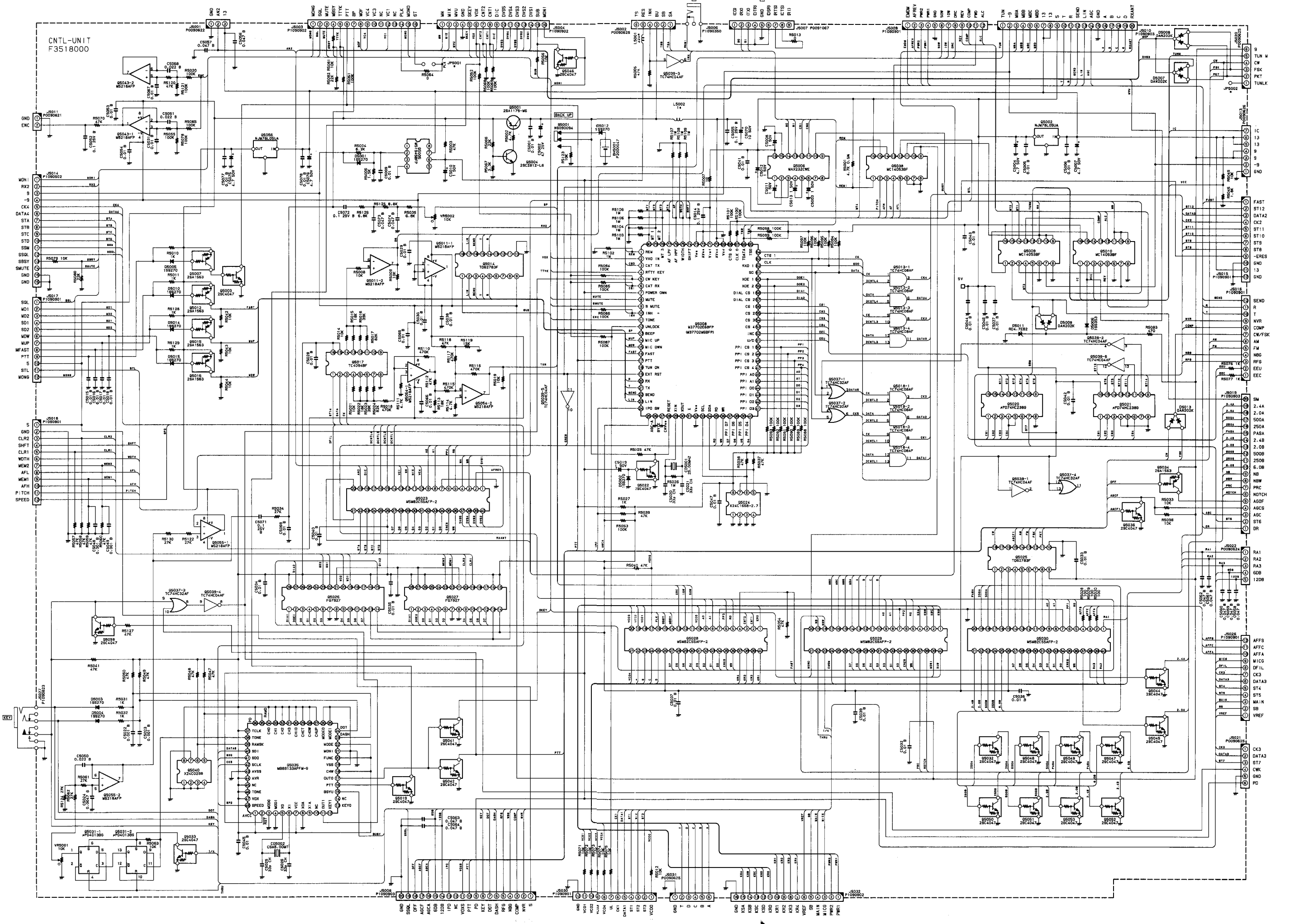
NOTE:
RESISTOR VALUES ARE IN Ω, 1/10Ω,
10Ω, 100Ω, 1KΩ, 10KΩ, 100KΩ,
1MΩ, UNLESS OTHERWISE NOTED.
CAPACITOR VALUES ARE IN pF,
nF, μF, UNLESS OTHERWISE NOTED.



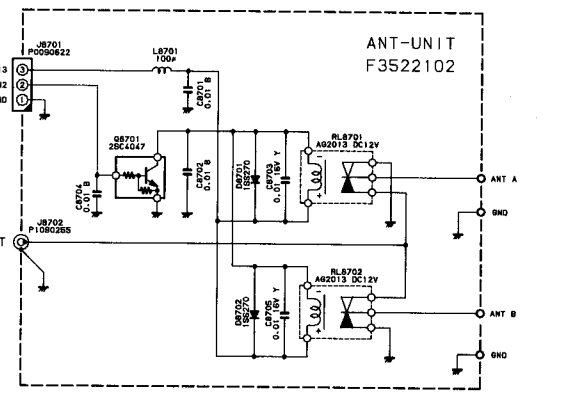
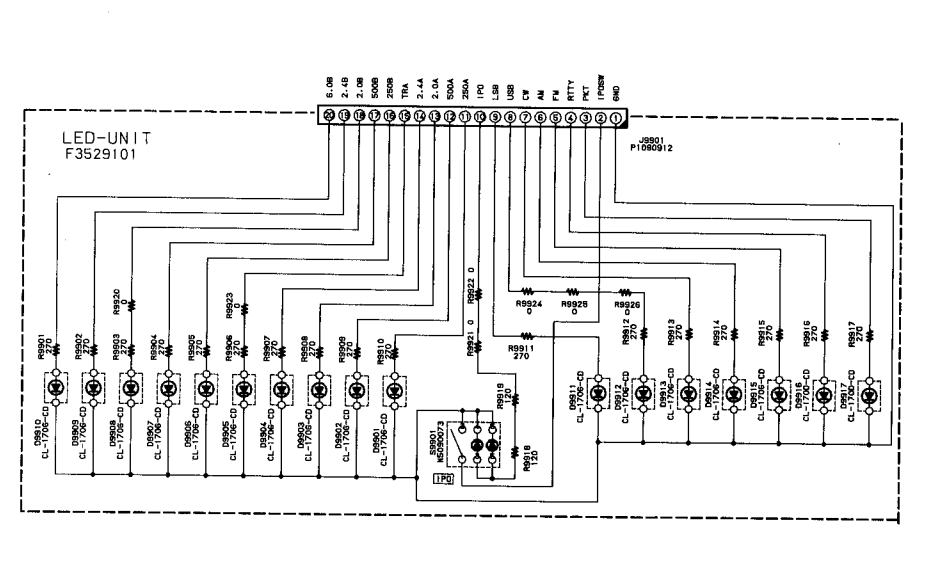
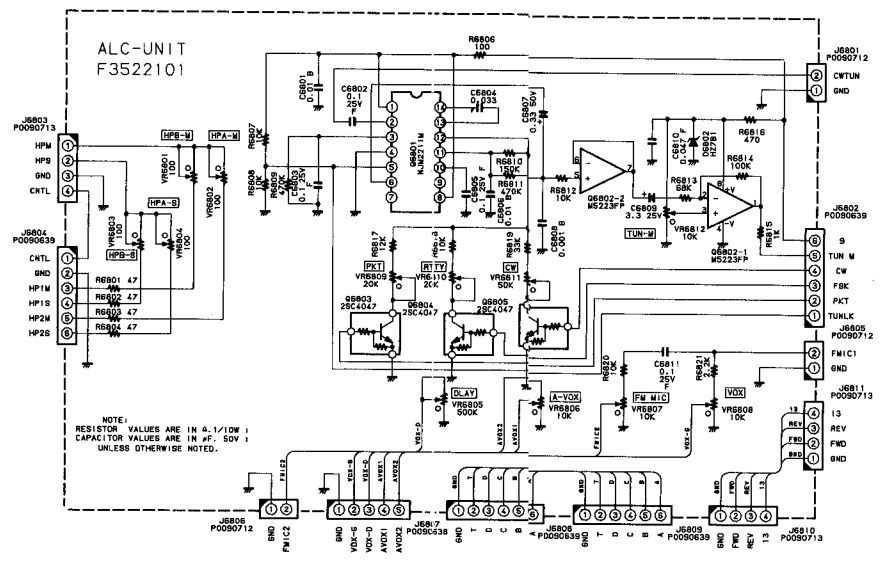
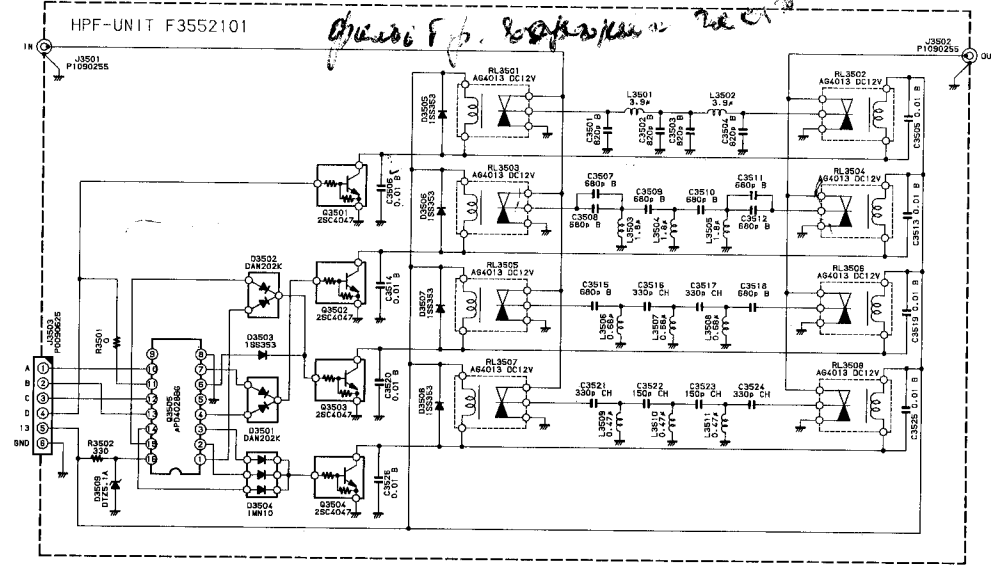
**Downloaded by
RadioAmateur.EU**

RX LINE ———→
TX LINE - - - - -
COMMON LINE ———

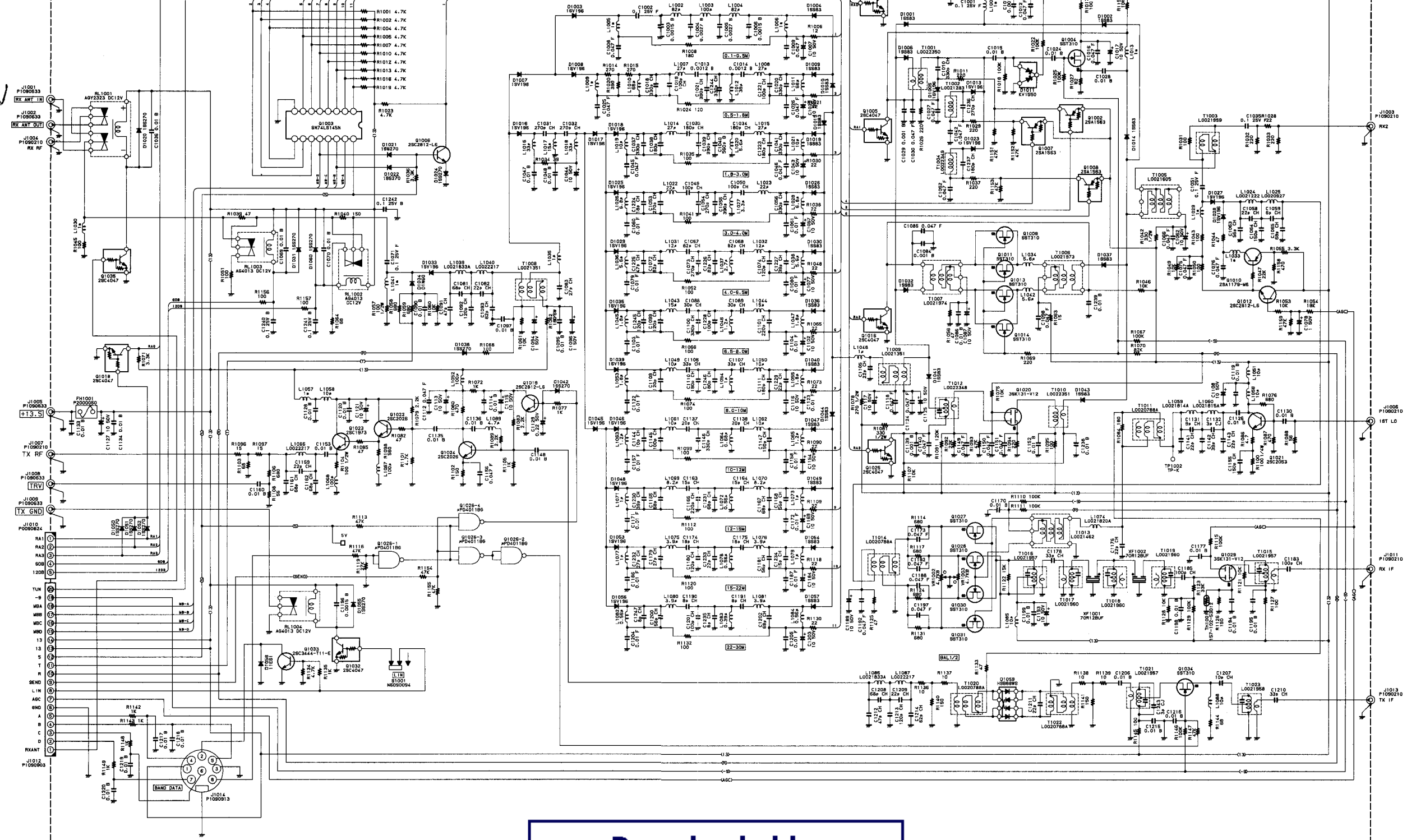




Downloaded by
RadioAmateur.EU

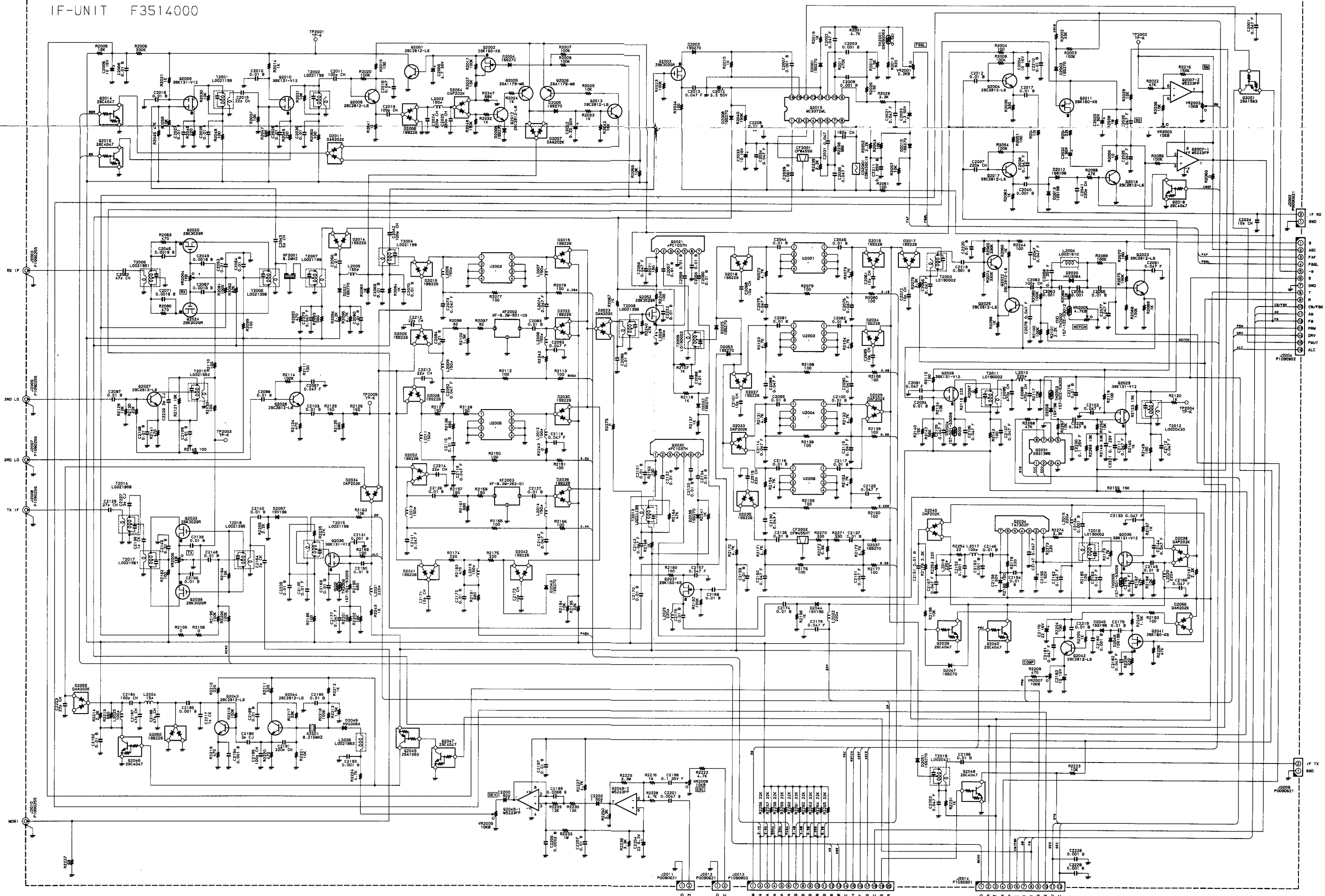


RF-UNIT
F3513000

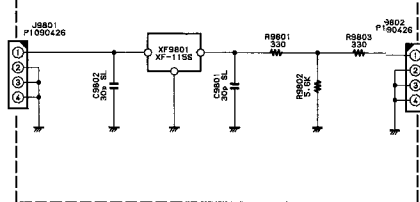


Downloaded by
RadioAmateur.EU

IF-UNIT F3514000



U2001
SSB-FIL-UNIT
F3530000



U2004 U8001
CW-FIL-UNIT
F3530000

