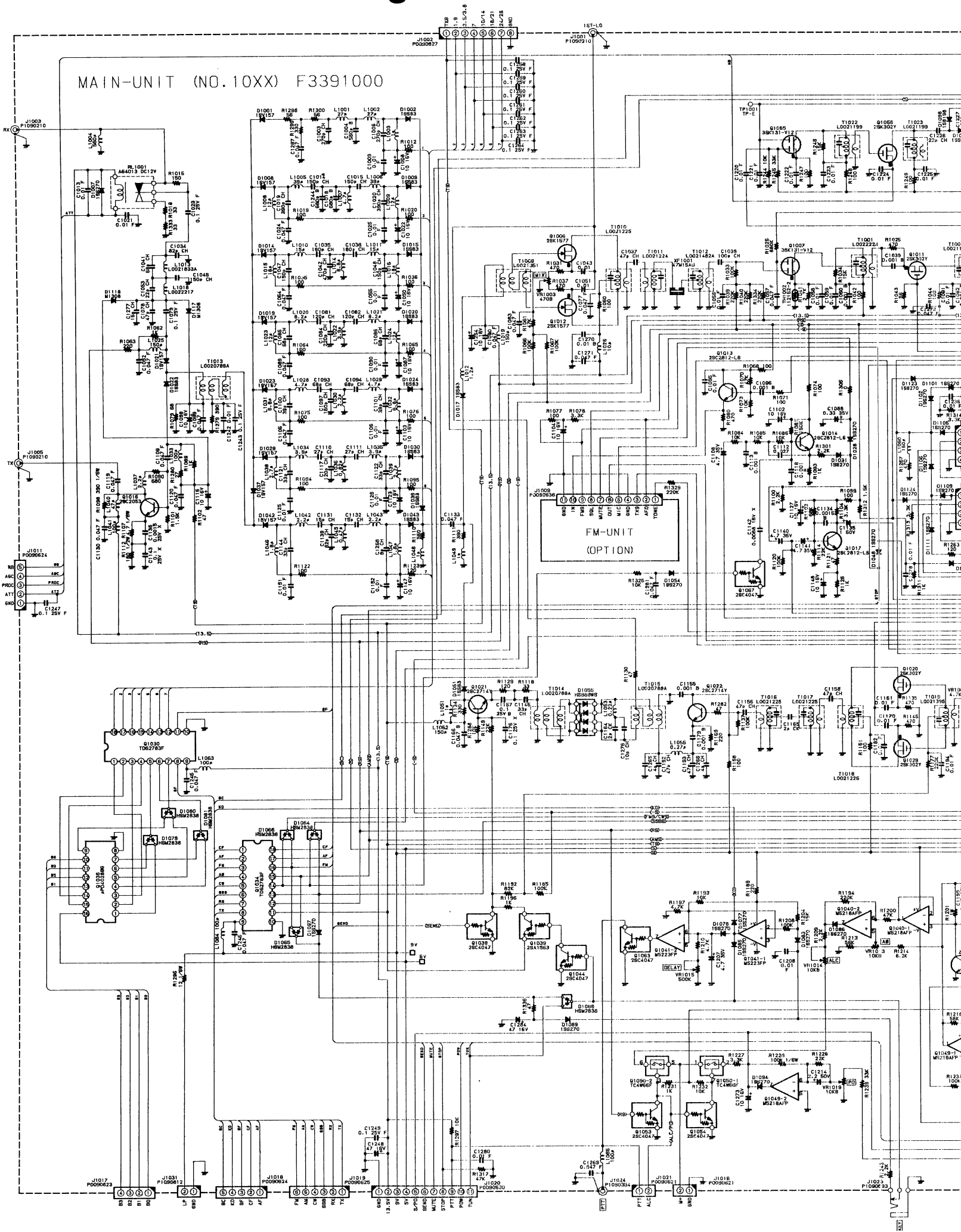


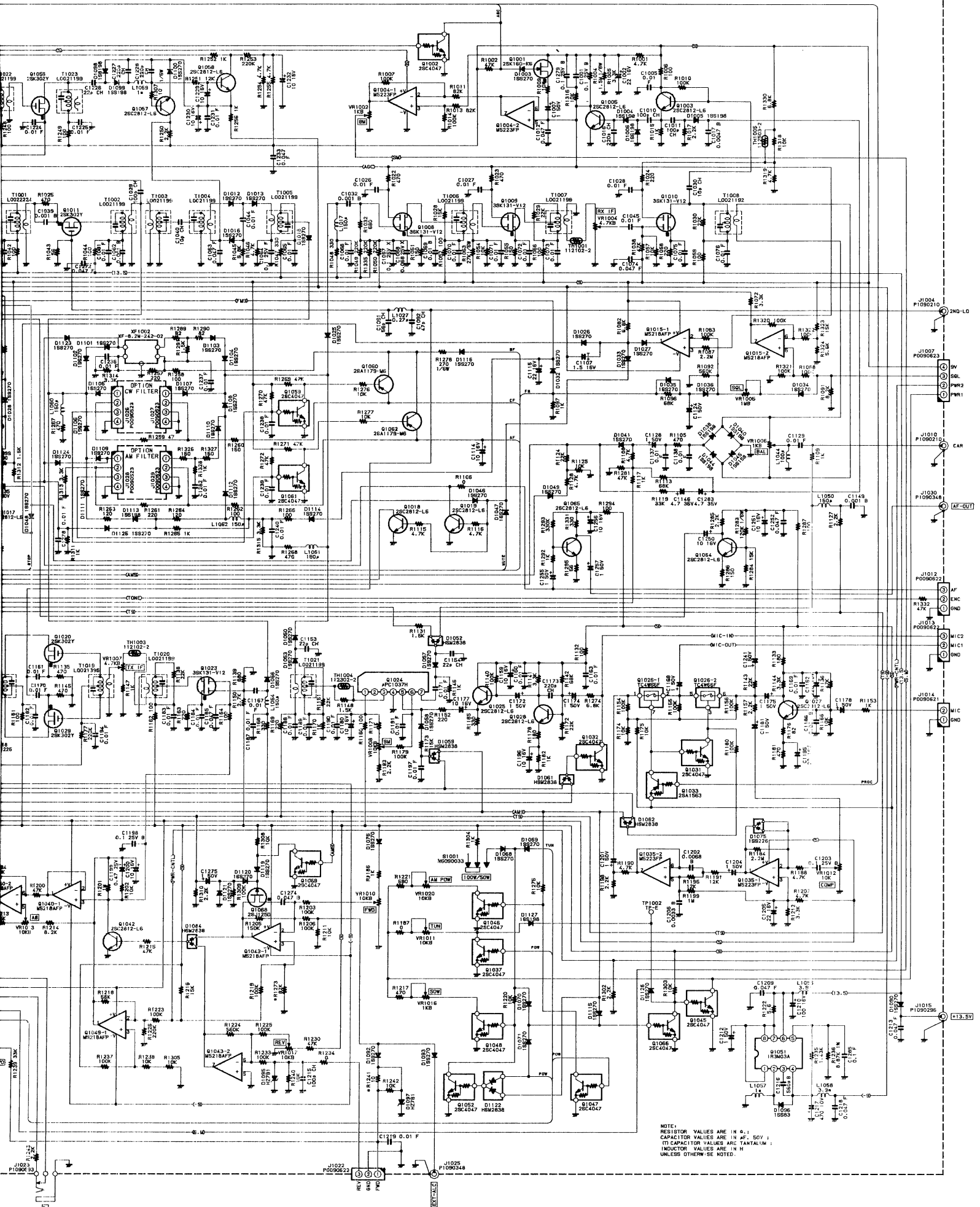
NOTE:
RESISTOR VALUES ARE IN Ω
CAPACITOR VALUES ARE IN μ F. 50V ;
UNLESS OTHERWISE NOTED.

Downloaded by
Amateur Radio Directory

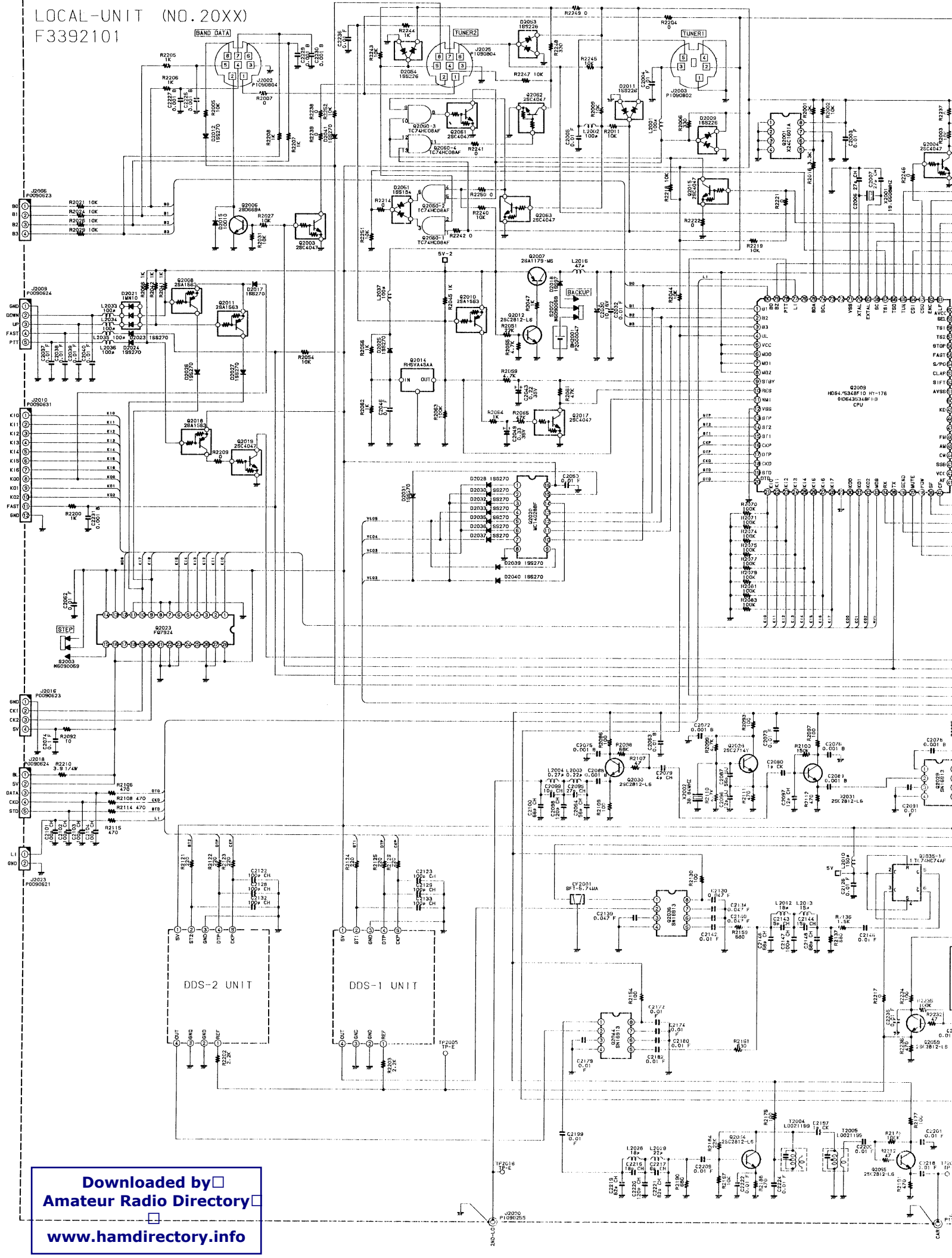
www.hamdirectory.info

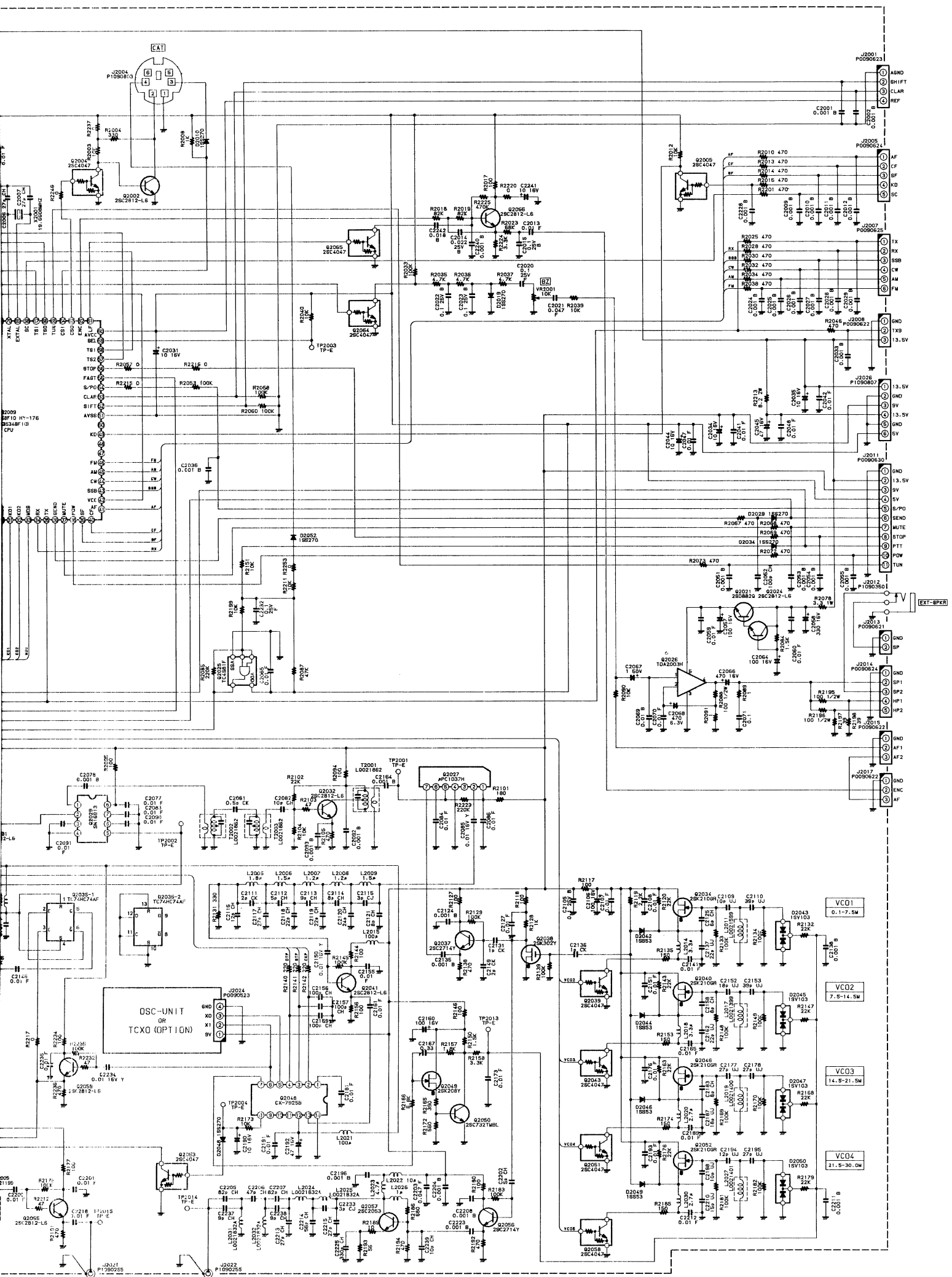
FT-840 Circuit Diagram



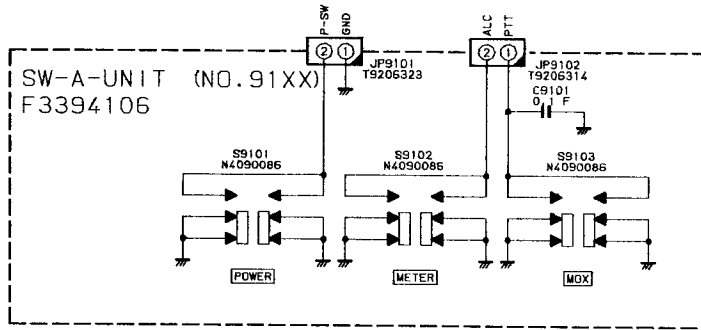


LOCAL-UNIT (NO.20XX)
F3392101

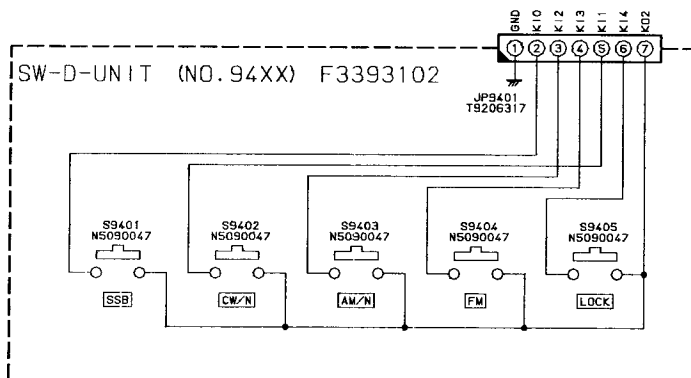
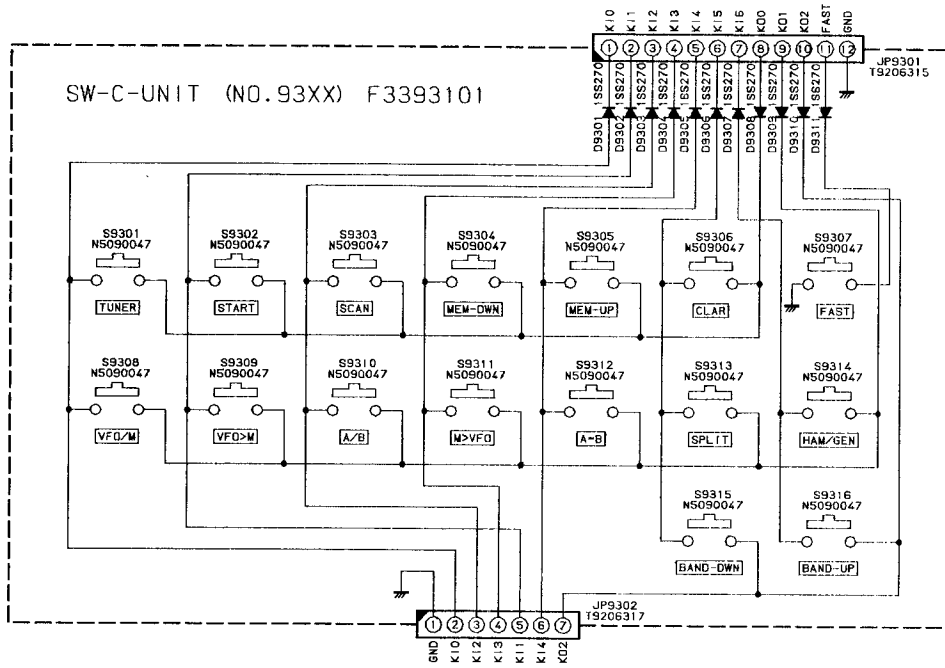
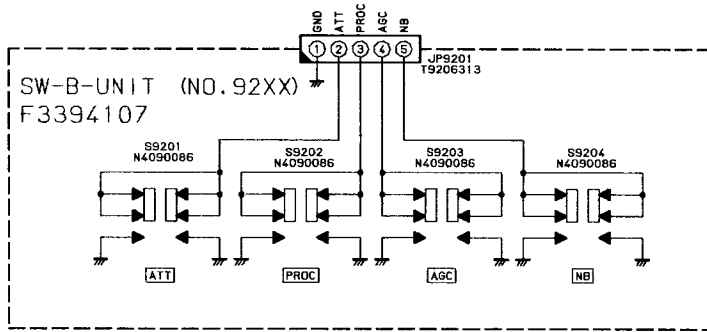




NOTE:
 RESISTOR VALUES ARE IN Ω.
 CAPACITOR VALUES ARE IN μF, 50V;
 (D) CAPACITOR VALUES ARE TANTALUM;
 INDUCTOR VALUES ARE IN μH
 UNLESS OTHERWISE NOTED.

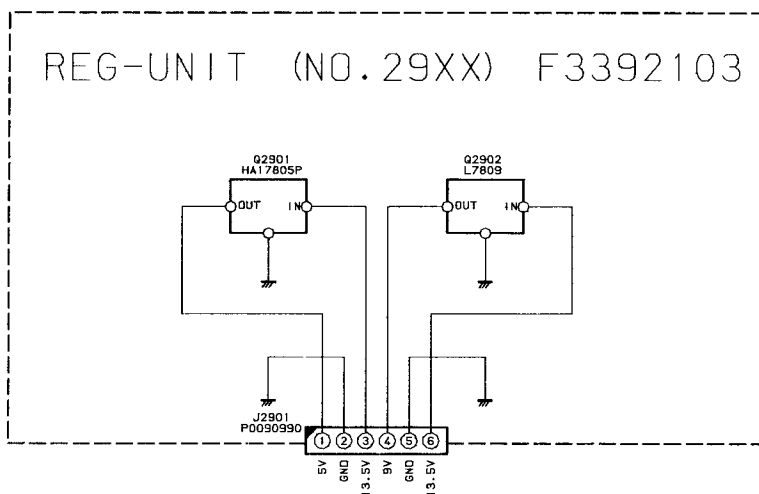
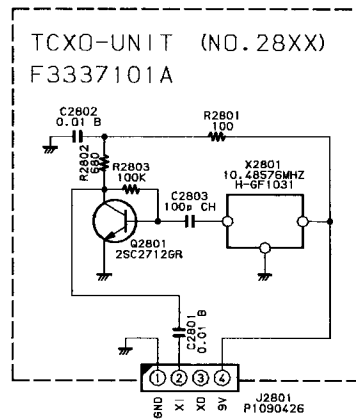
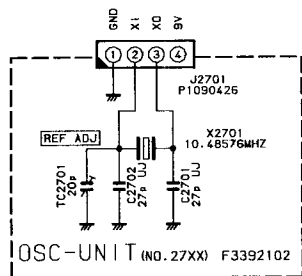
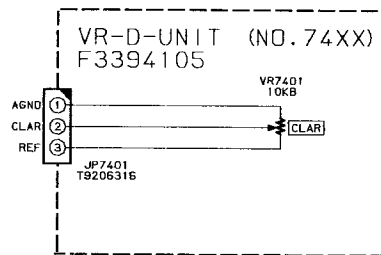
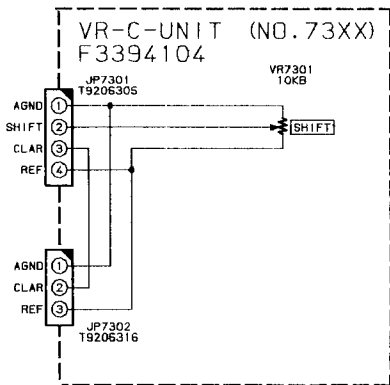
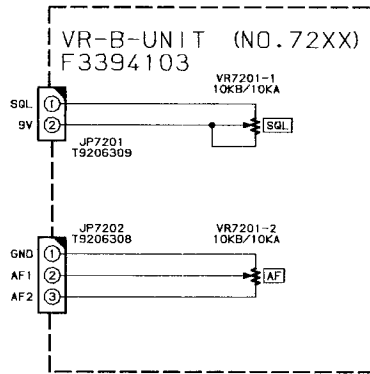
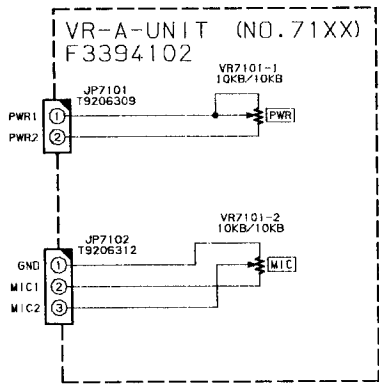


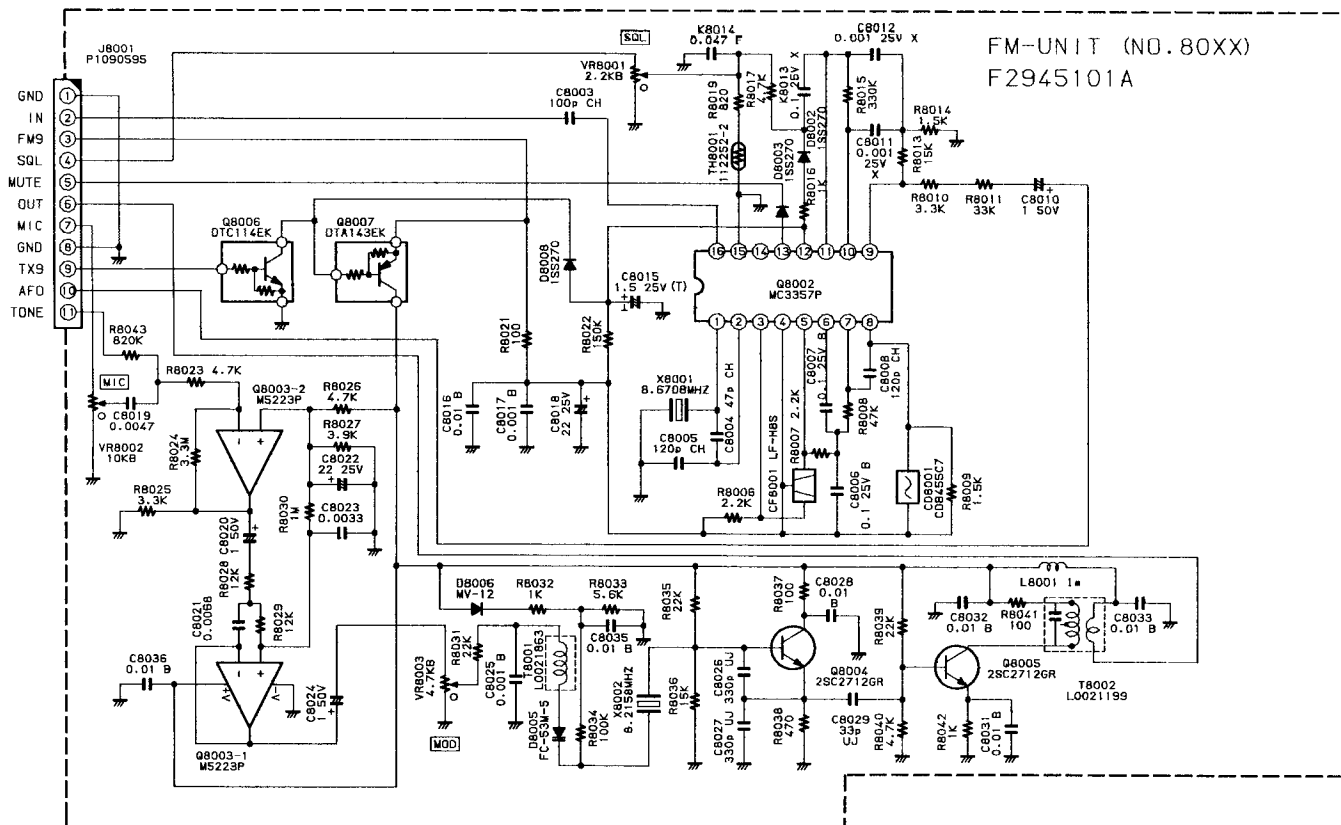
NOTE:
RESISTOR VALUES ARE IN Ω



Downloaded by
Amateur Radio Directory

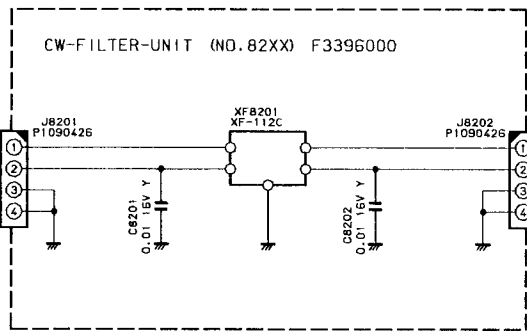
www.hamdirectory.info



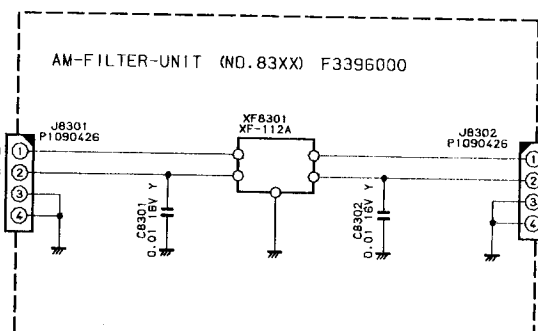


FM-UNIT (NO. 80XX)
F2945101A

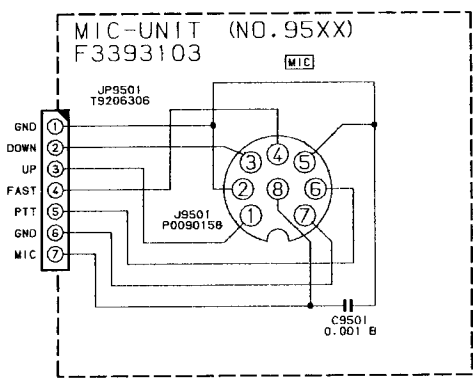
NOTE:
RESISTOR VALUES ARE IN Ω, 1/10W ;
CAPACITOR VALUES ARE IN μF, 50V ;
(T) CAPACITOR VALUES ARE TANTALUM ;
INDUCTOR VALUES ARE IN H
UNLESS OTHERWISE NOTED.



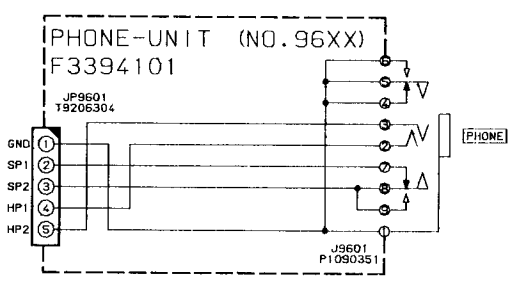
CW-FILTER-UNIT (NO. 82XX) F3396000



AM-FILTER-UNIT (NO. 83XX) F3396000



MIC-UNIT (NO. 95XX)
F3393103

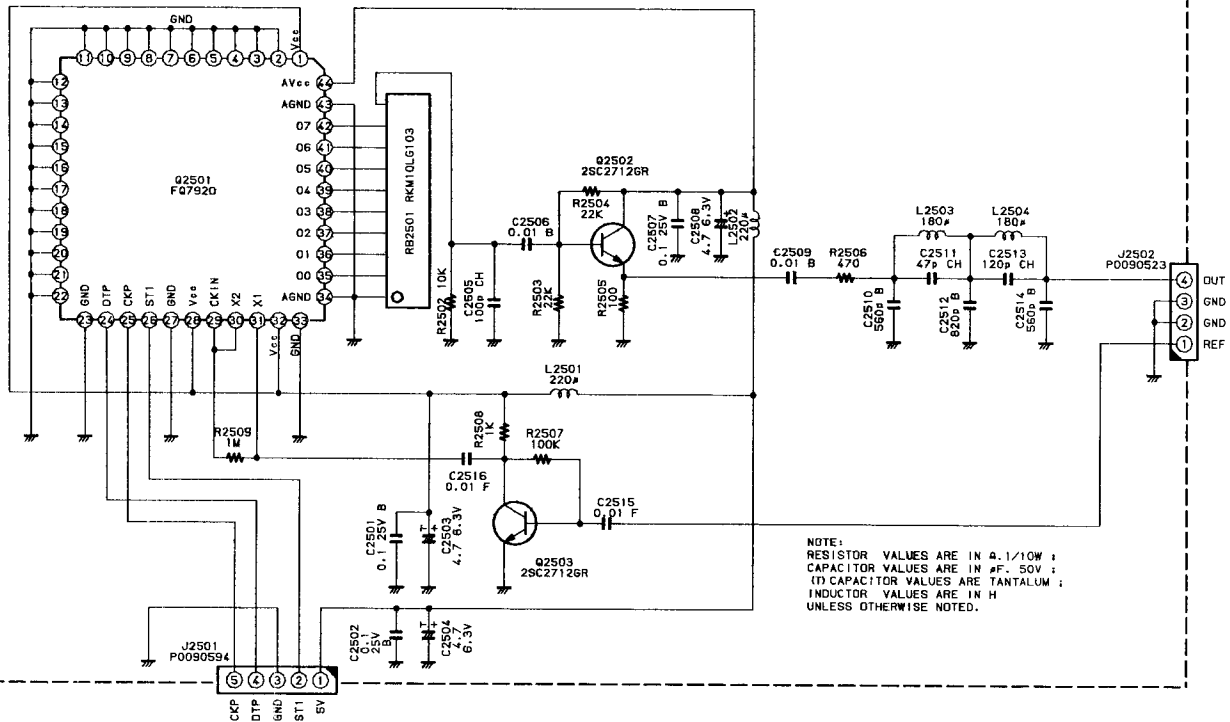


PHONE-UNIT (NO. 96XX)
F3394101

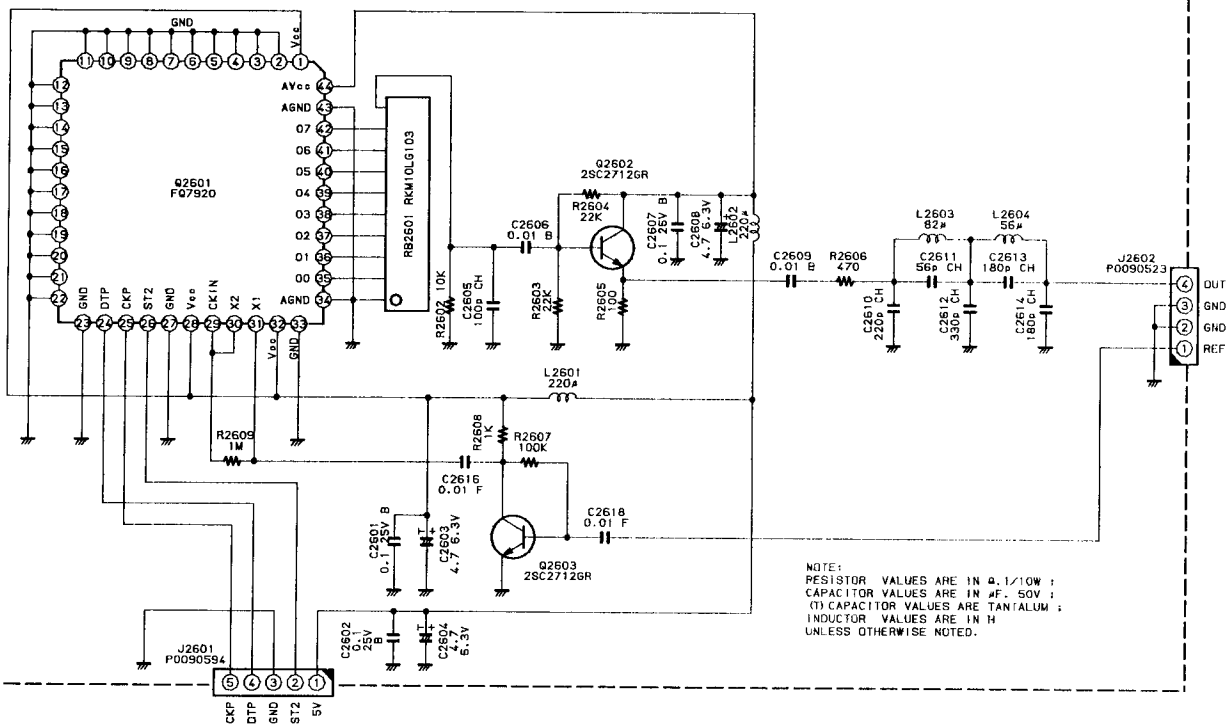
Downloaded by
Amateur Radio Directory

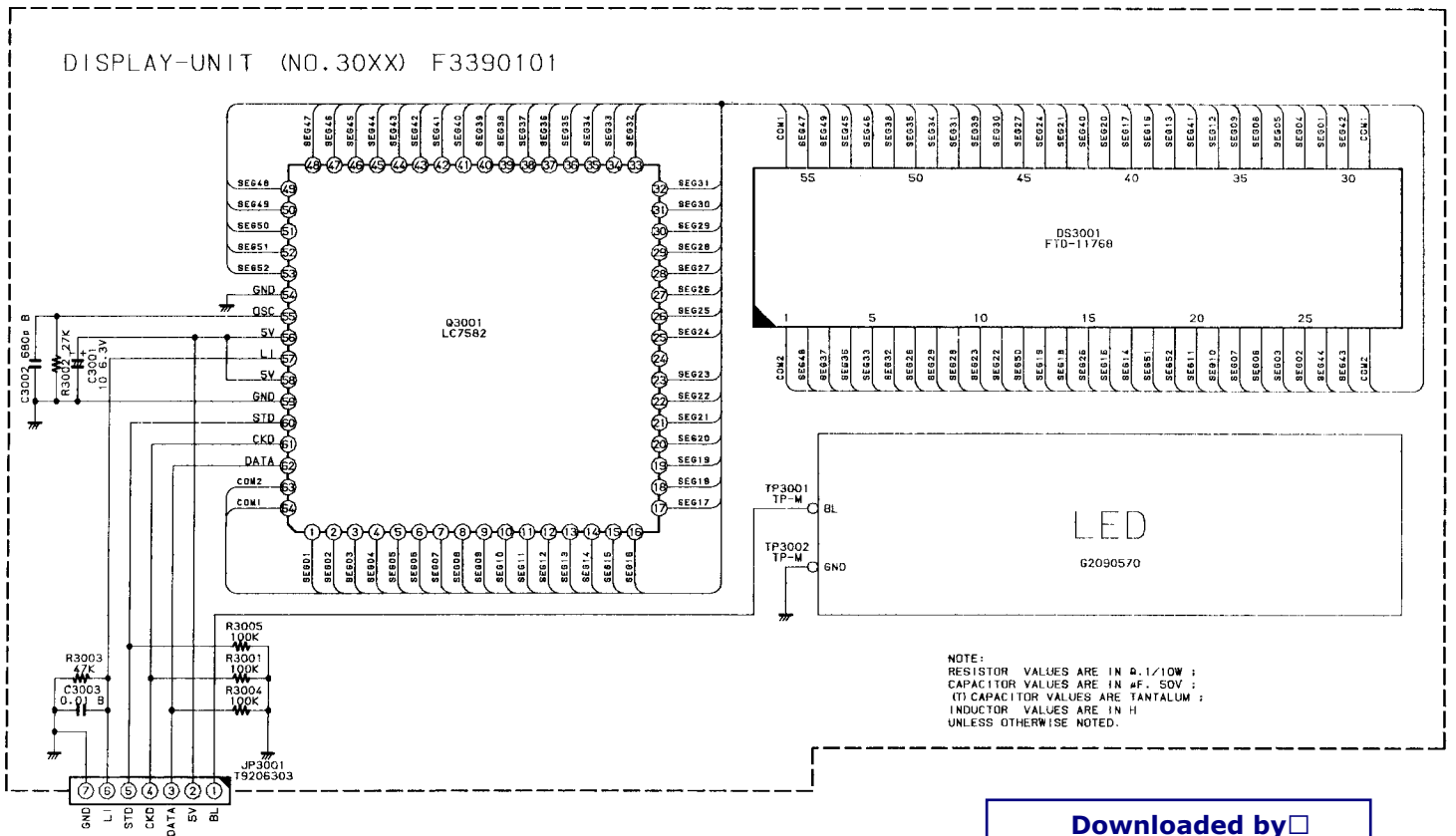
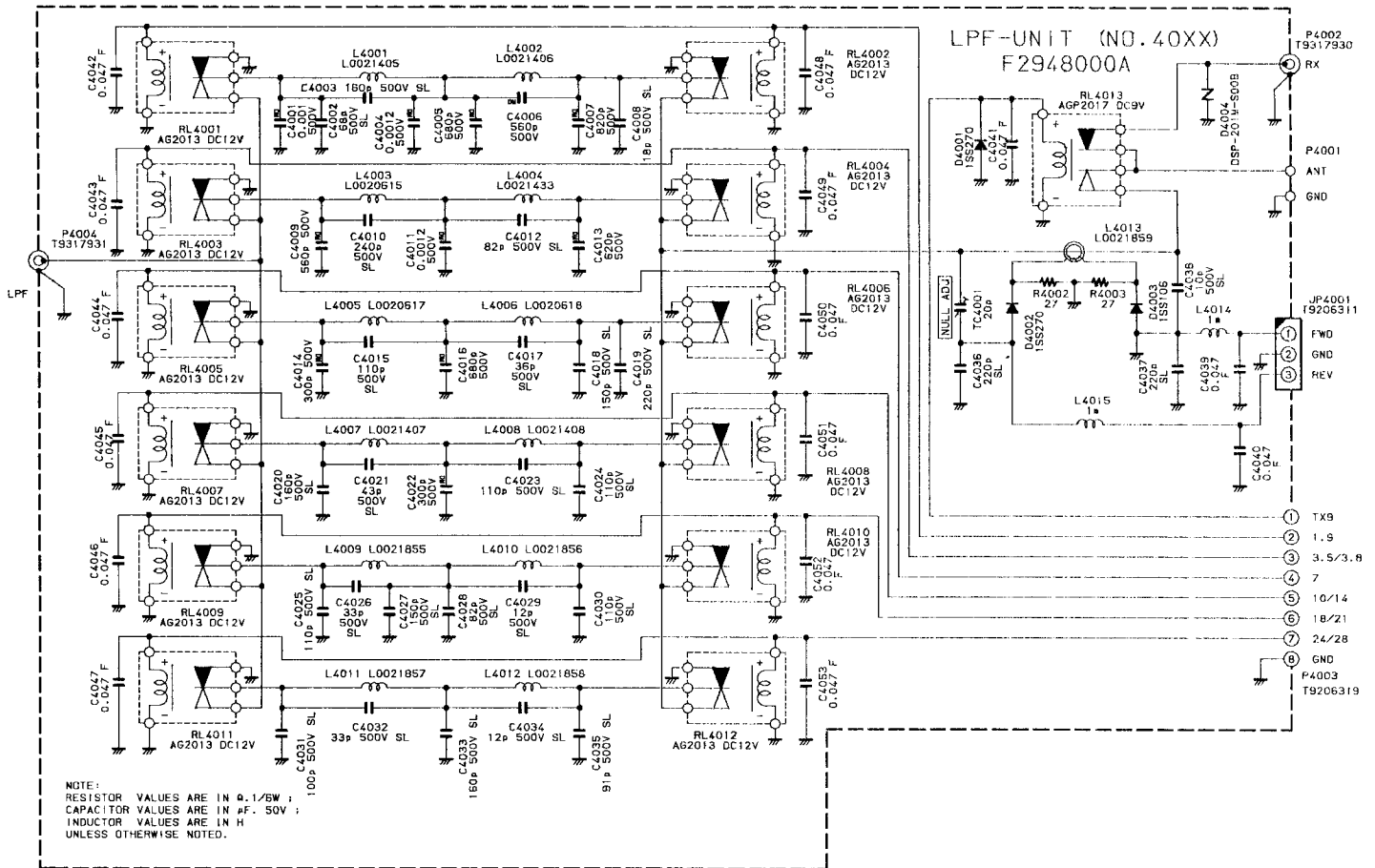
www.hamdirectory.info

DDS-1-UNIT (NO. 25XX)
F3335101



DDS-2-UNIT (NO. 26XX)
F3334101





100WPA-UNIT (NO. 50XX)
F3395000

