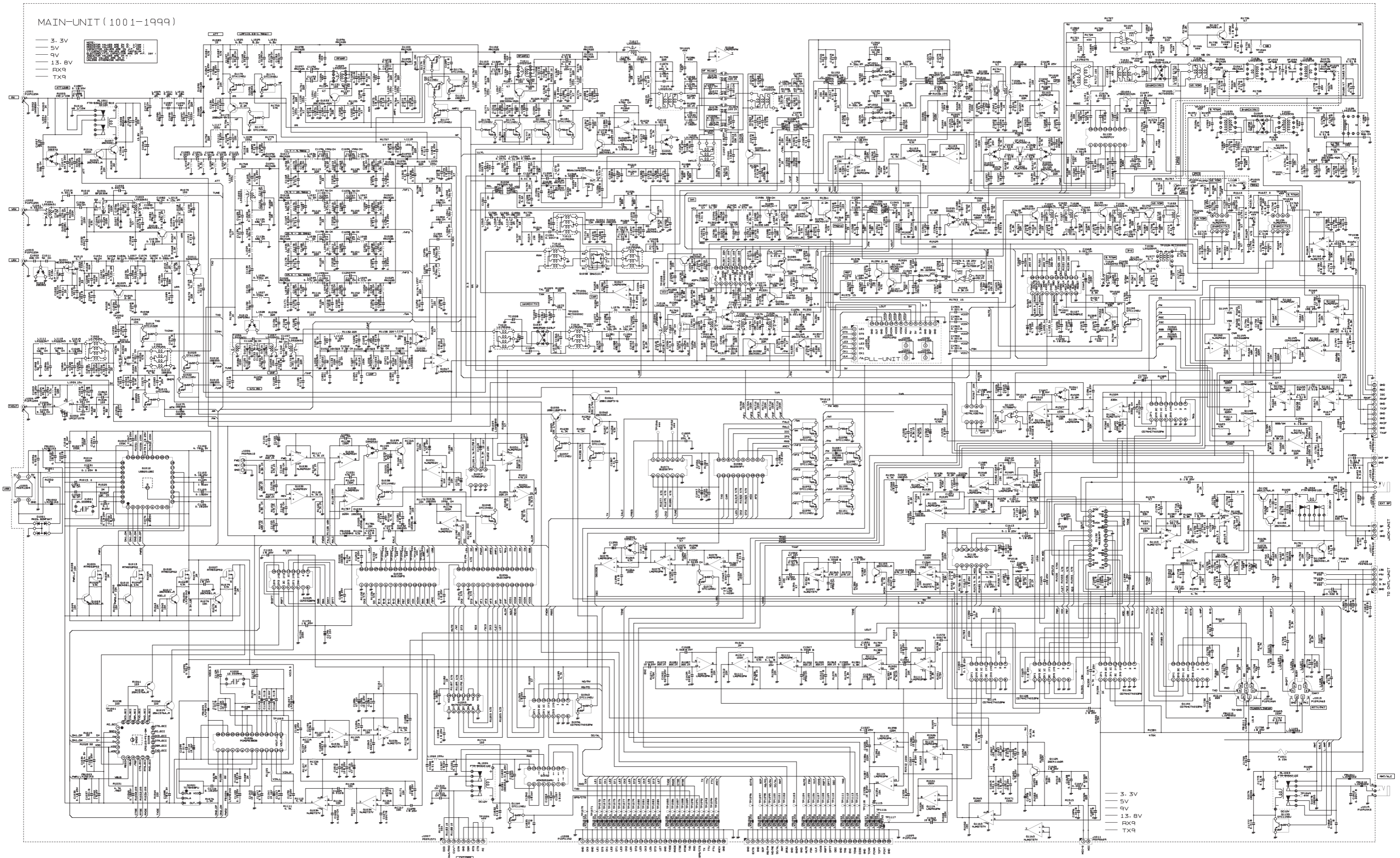
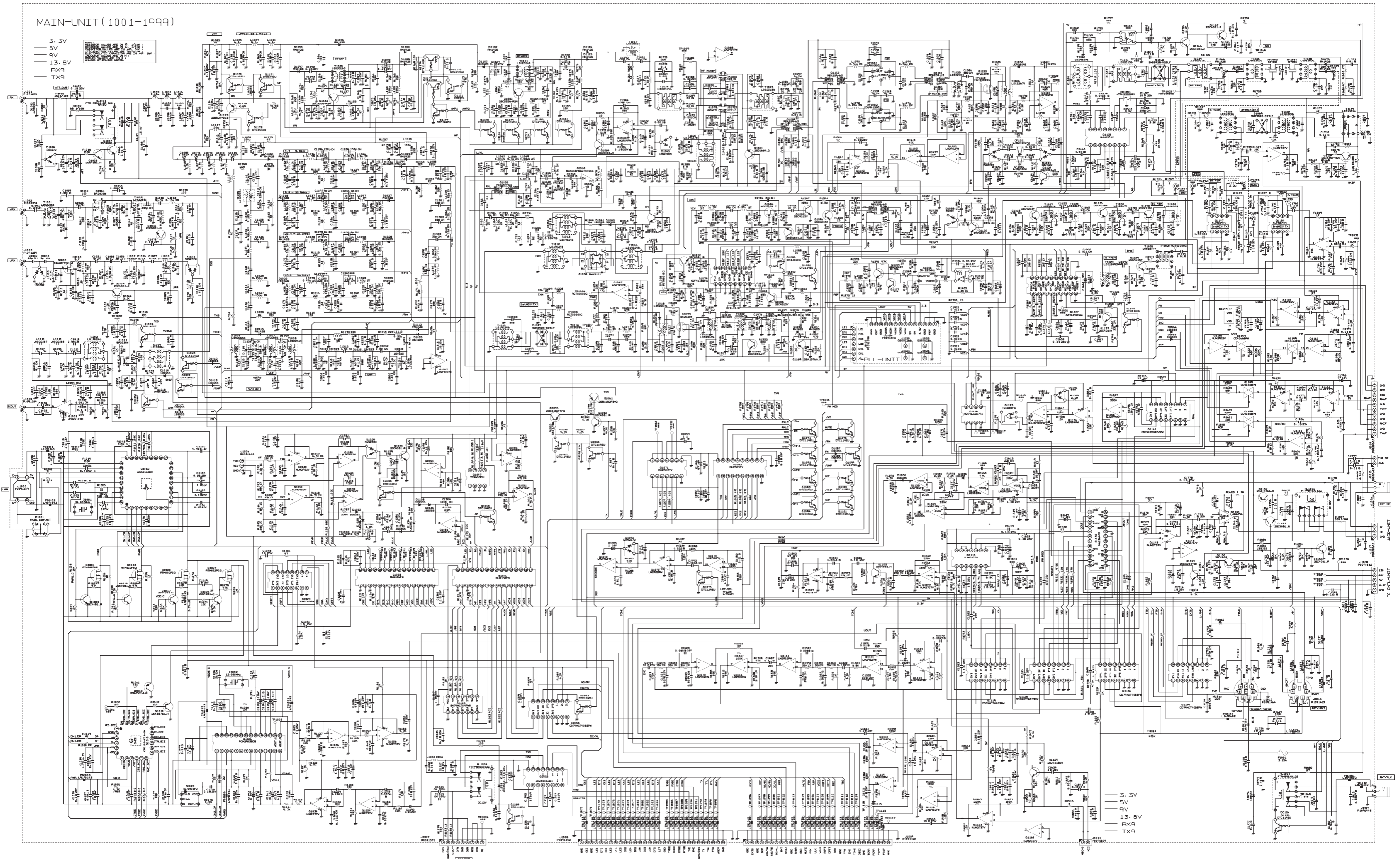
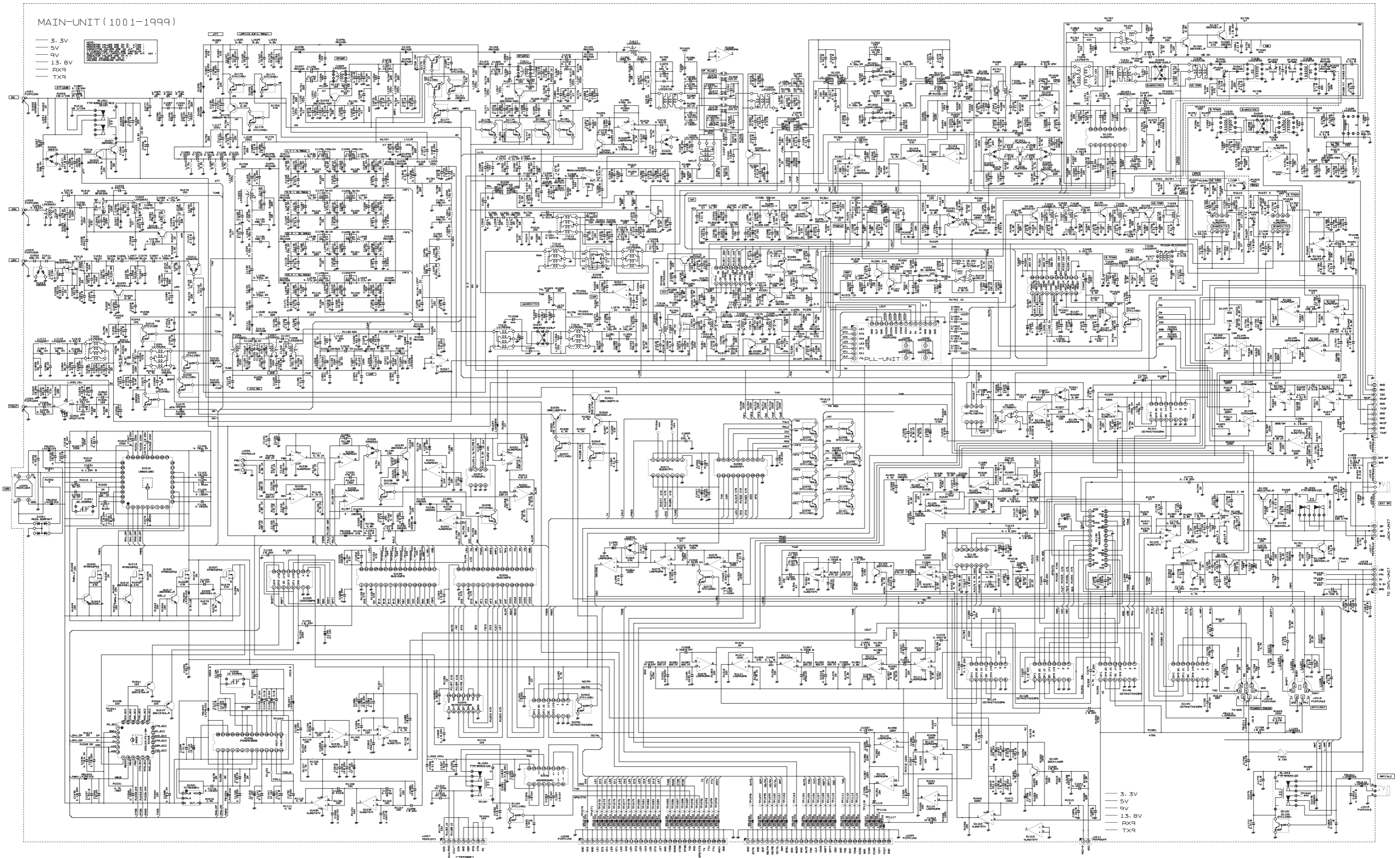


# MAIN Unit (Lot. 3)

## Circuit Diagram

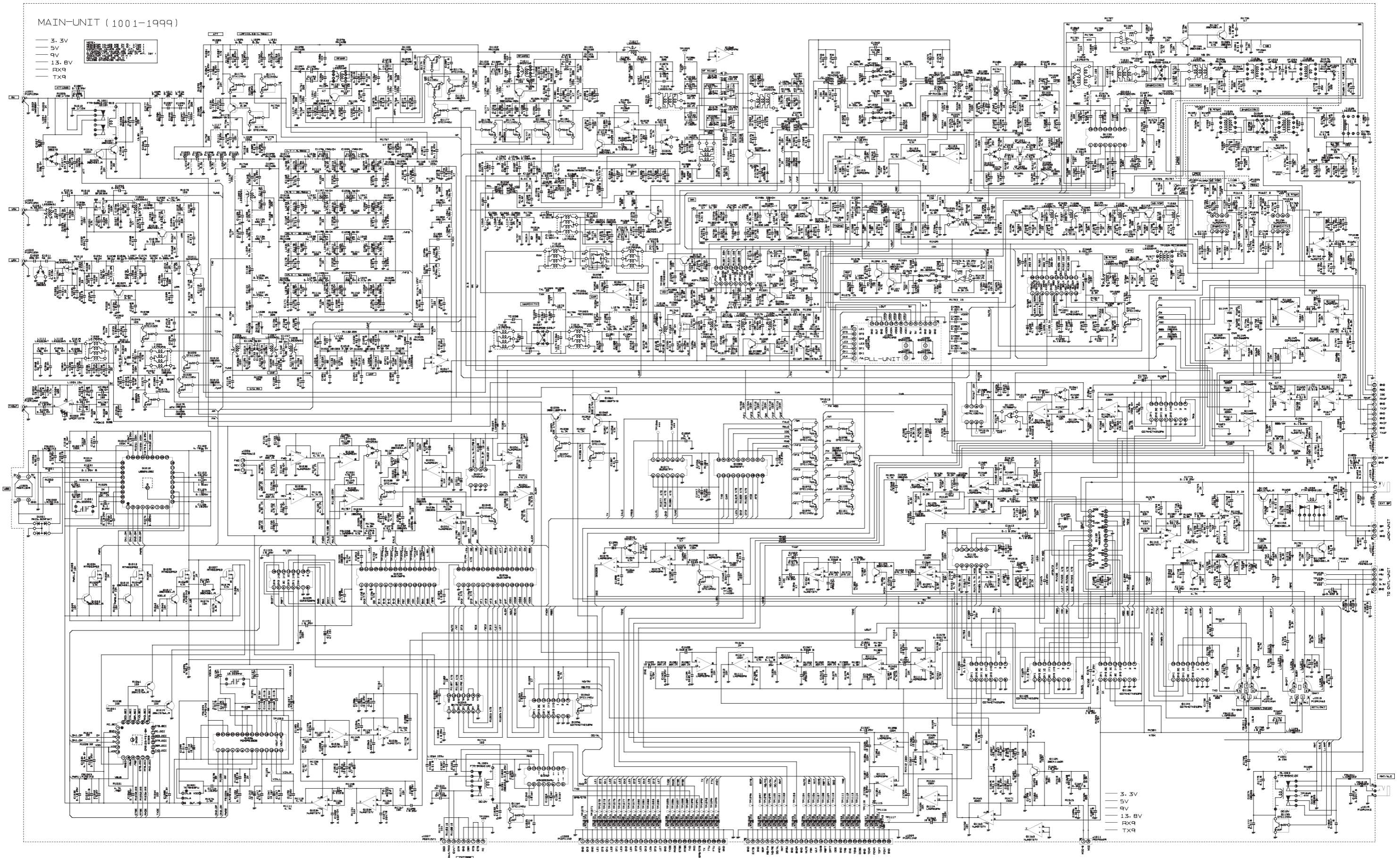




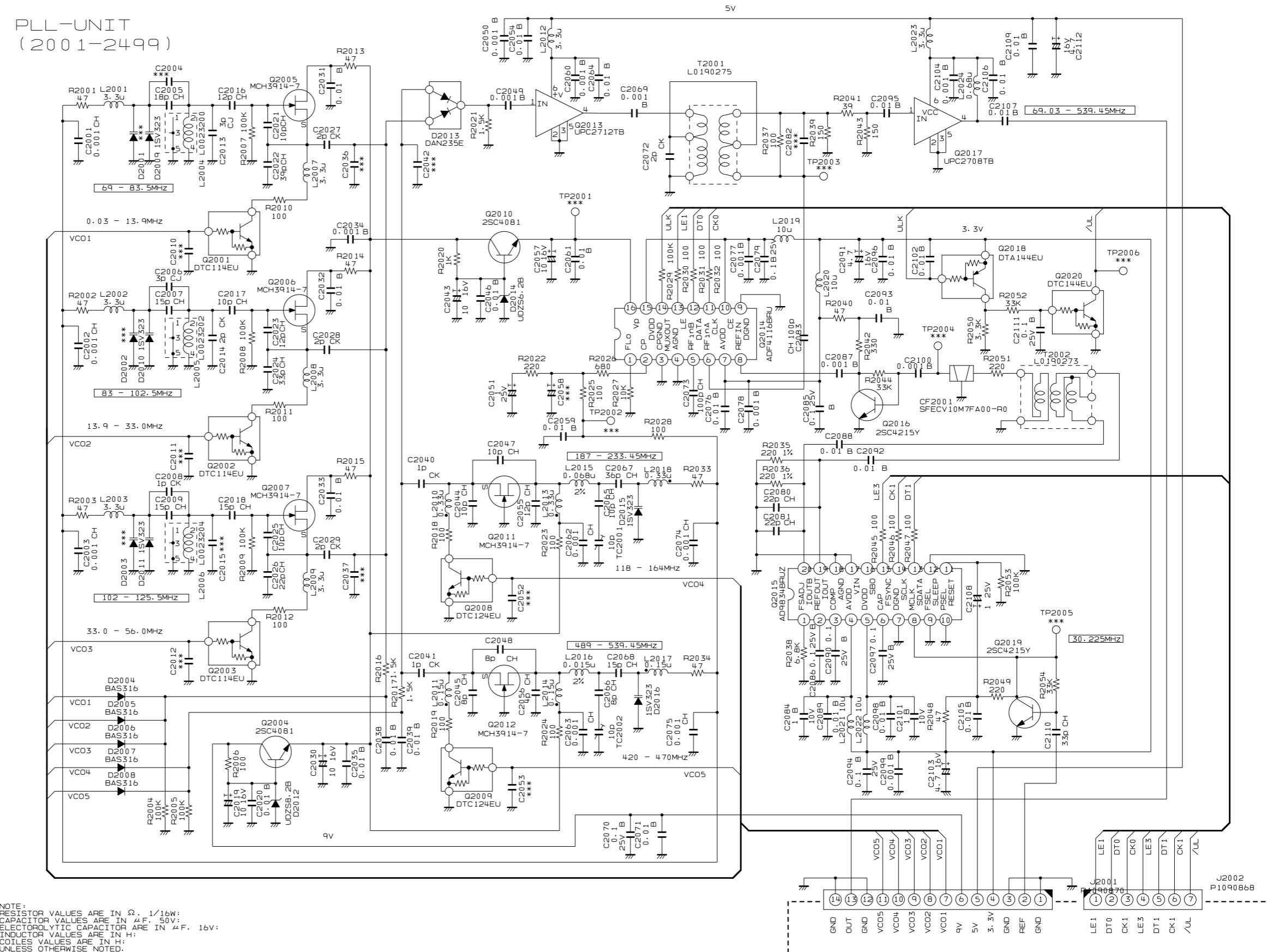


# MAIN Unit (Lot. 9 -)

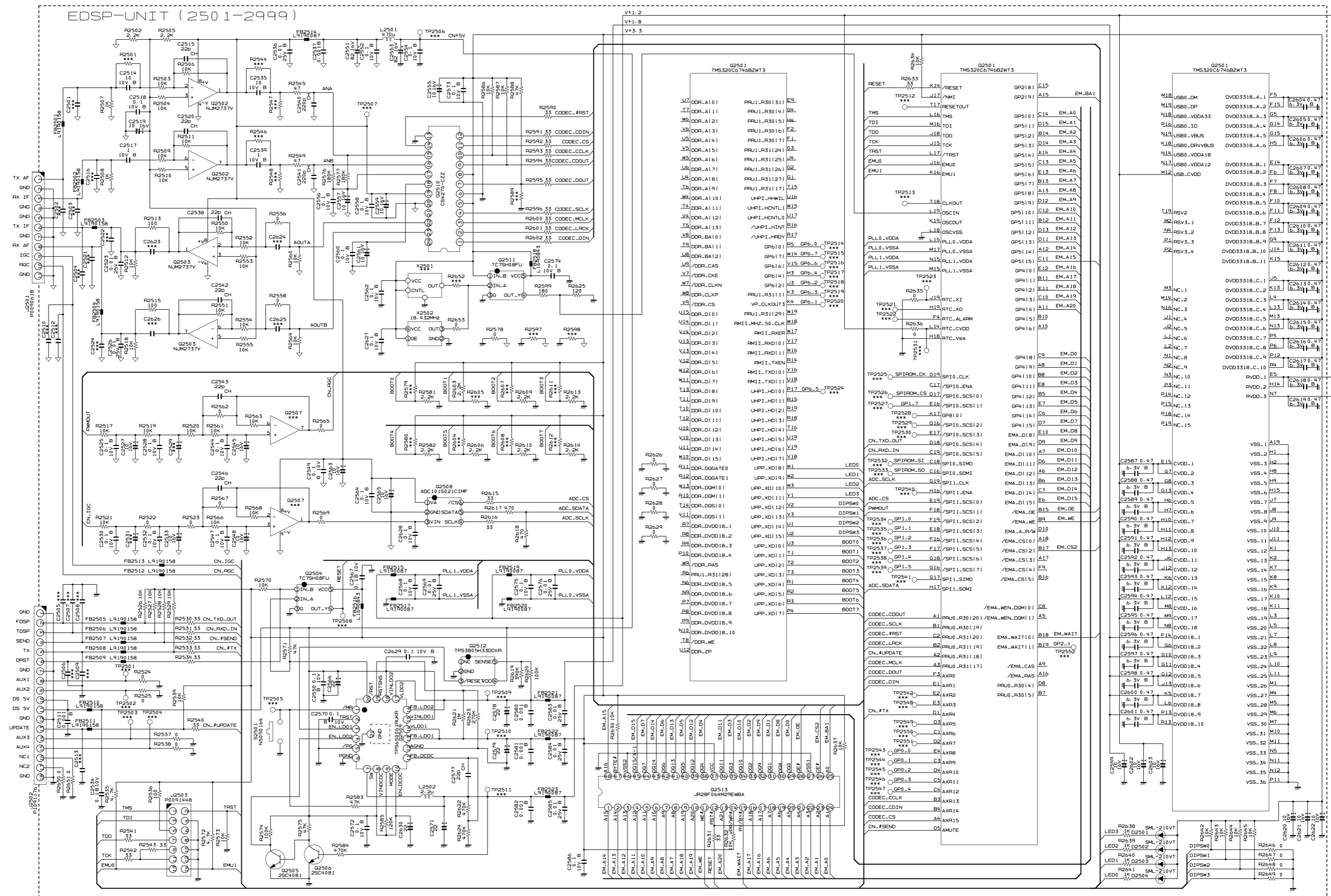
## Circuit Diagram



PLL-UNIT  
(2001-2499)

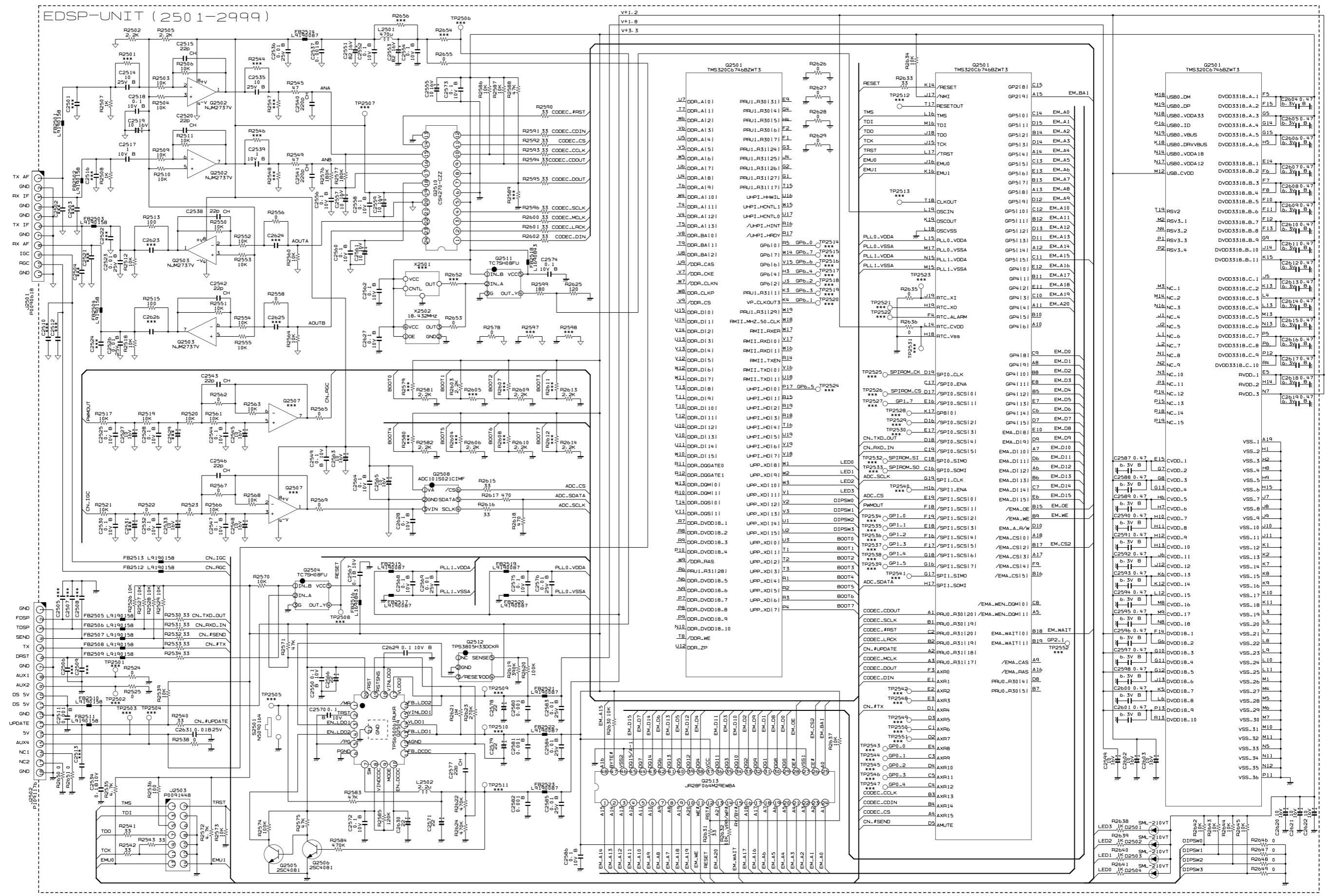


NOTE:  
RESISTOR VALUES ARE IN  $\Omega$ , 1/16W;  
CAPACITOR VALUES ARE IN  $\mu$ F, 50V;  
ELECTROLYTIC CAPACITORS ARE IN  $\mu$ F, 16V;  
INDUCTOR VALUES ARE IN H;  
COILS VALUES ARE IN H;  
UNLESS OTHERWISE NOTED.

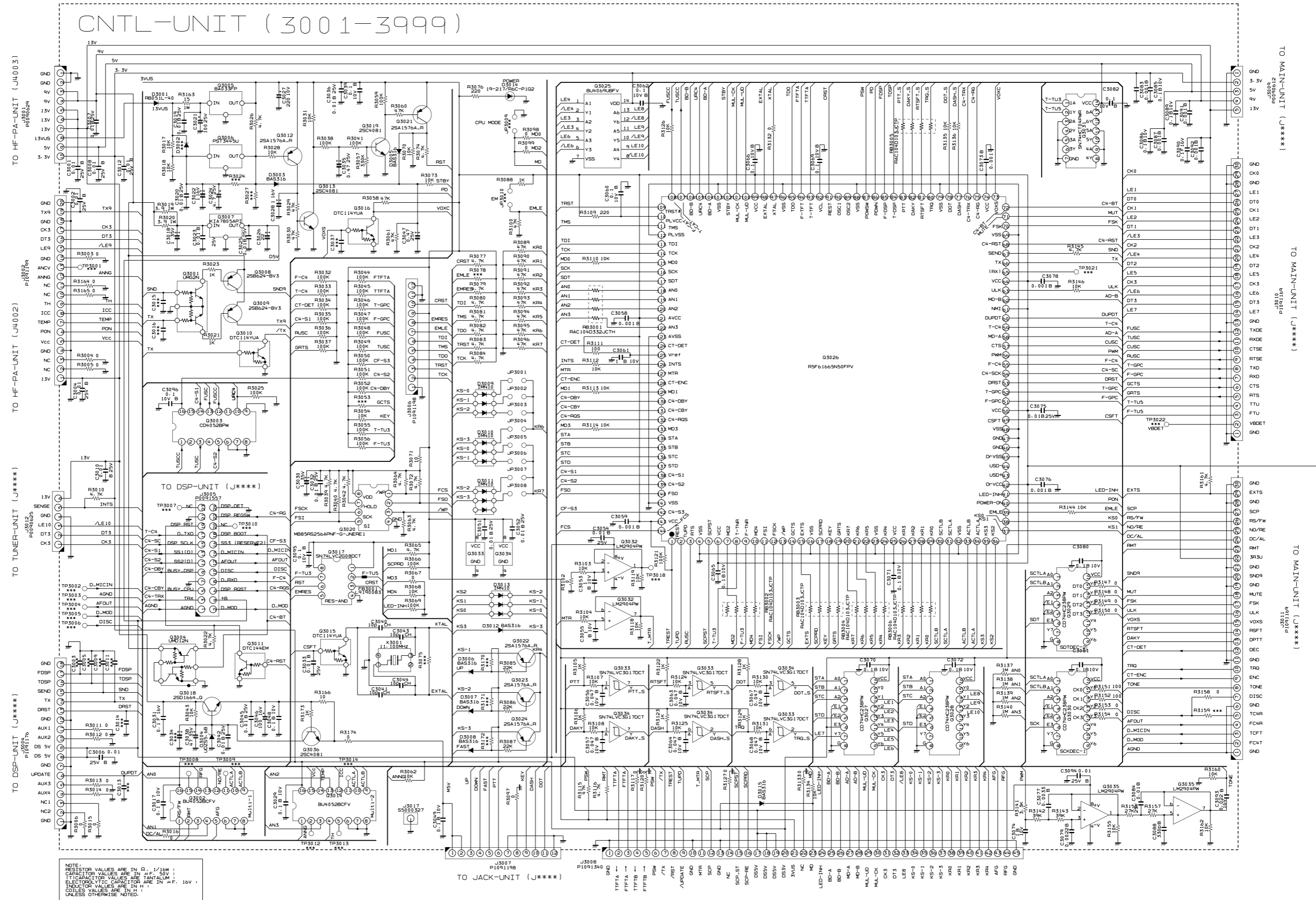


# EDSP Unit (Lot. 4 -)

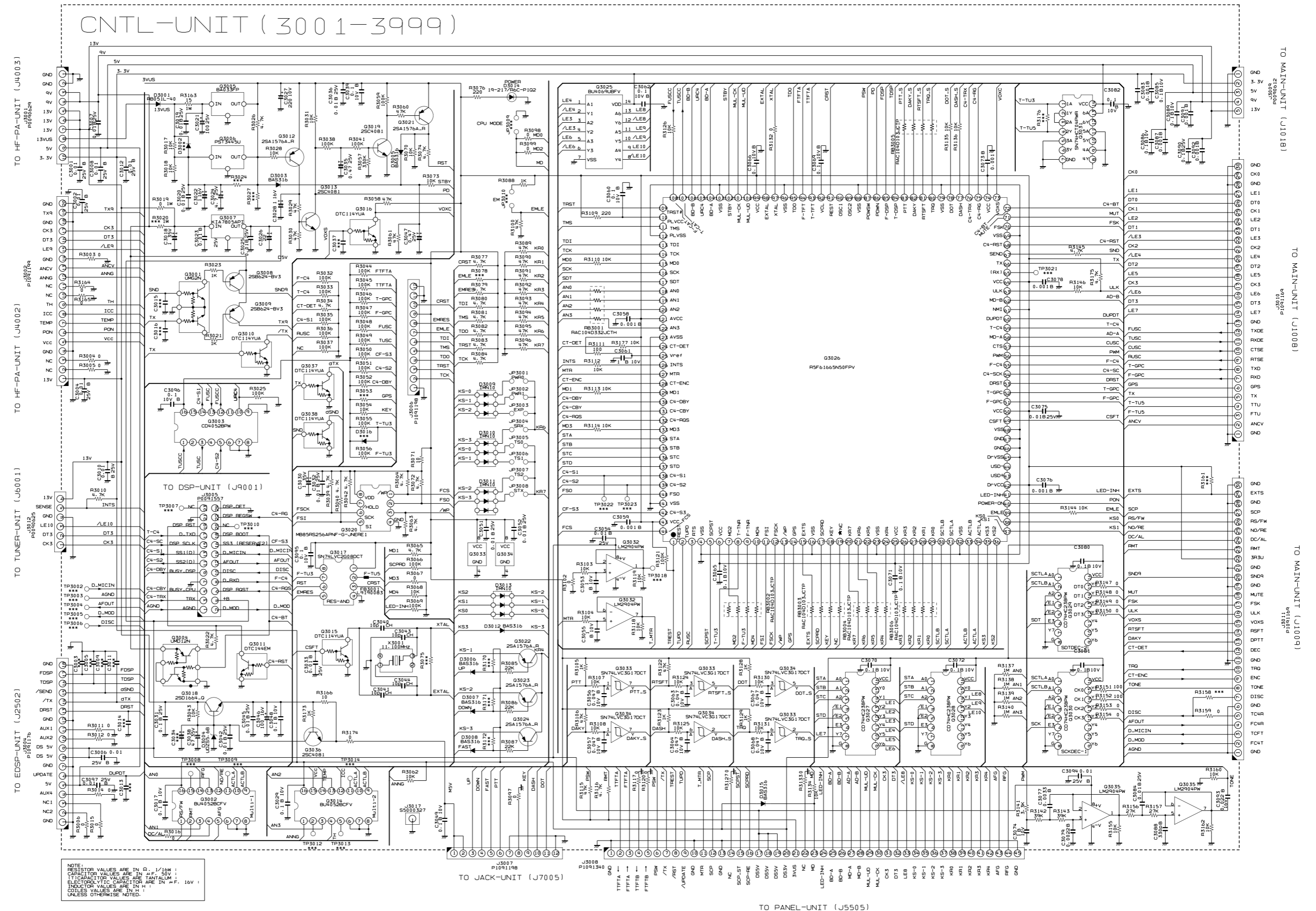
## Circuit Diagram



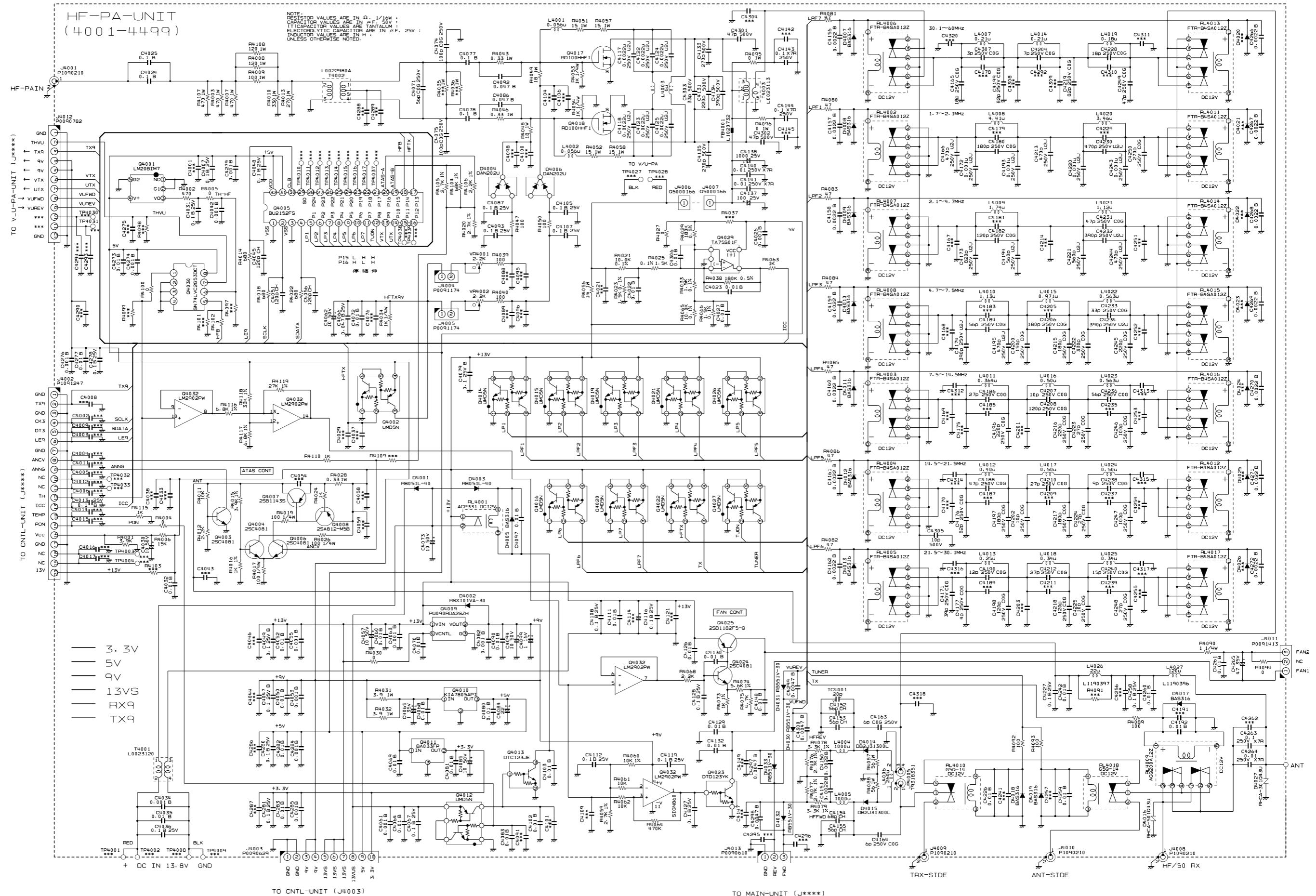




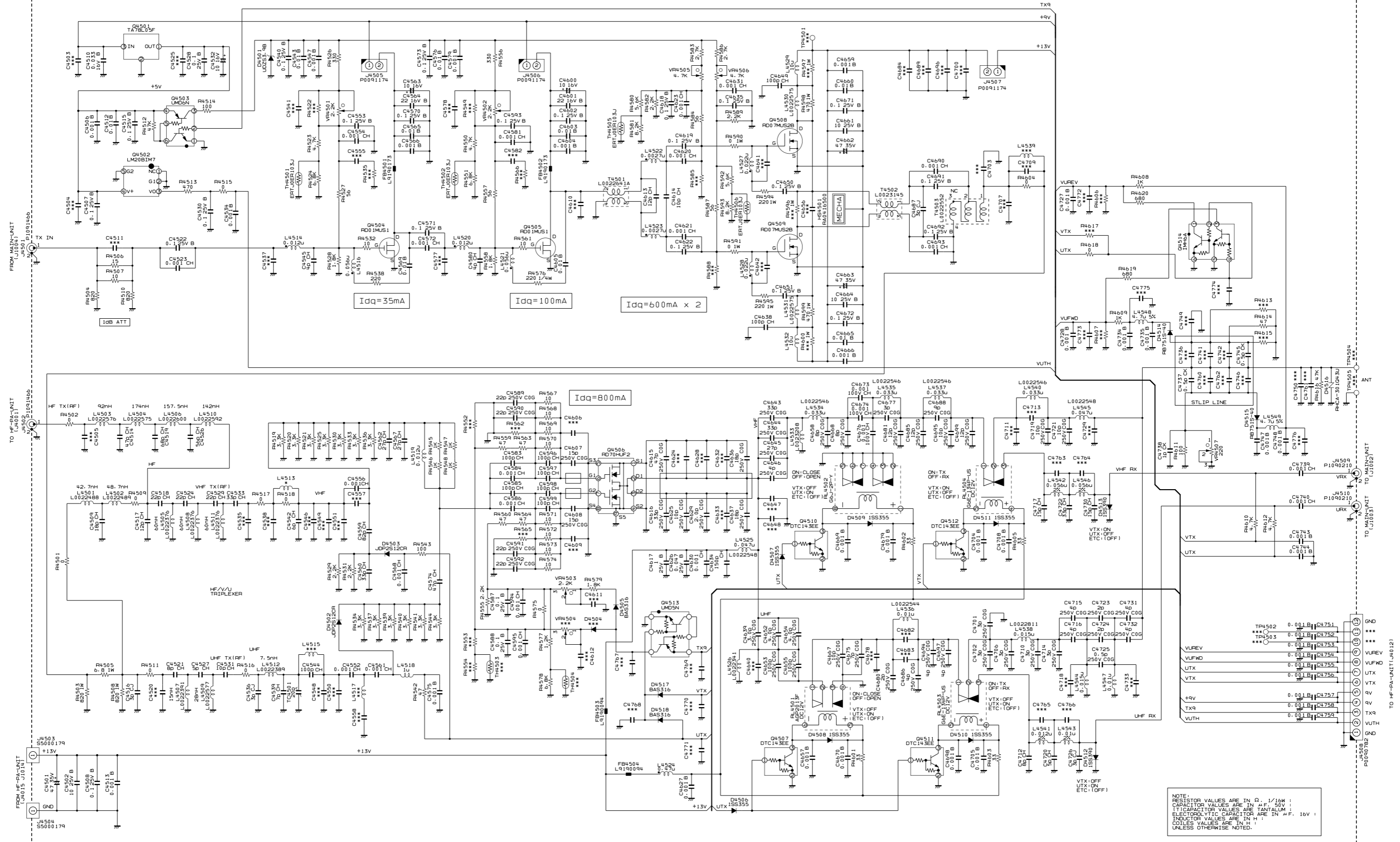
NOTE:  
RESISTOR VALUES ARE IN Ω, K, M;  
CAPACITOR VALUES ARE IN P, μF, nF;  
T CAPACITOR VALUES ARE IN μF, nF, pF;  
ELECTROLYTIC CAPACITOR VALUES ARE IN μF, mF;  
INDUCTOR VALUES ARE IN mH, H;  
COIL VALUES ARE IN Ω, K, M;  
UNLESS OTHERWISE NOTED.



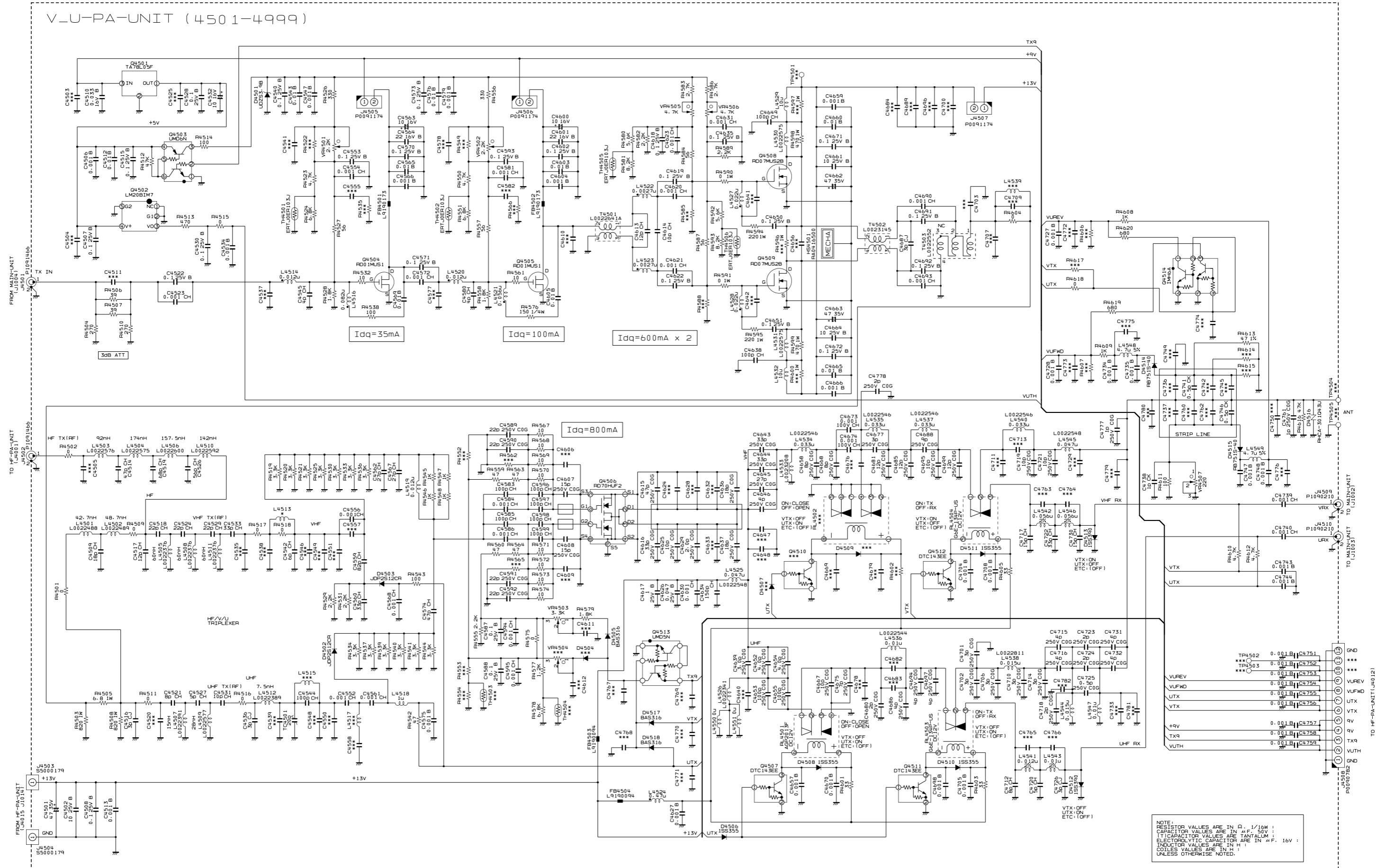
# HF-PA Unit Circuit Diagram



V\_U-PA-UNIT (4501-4999)

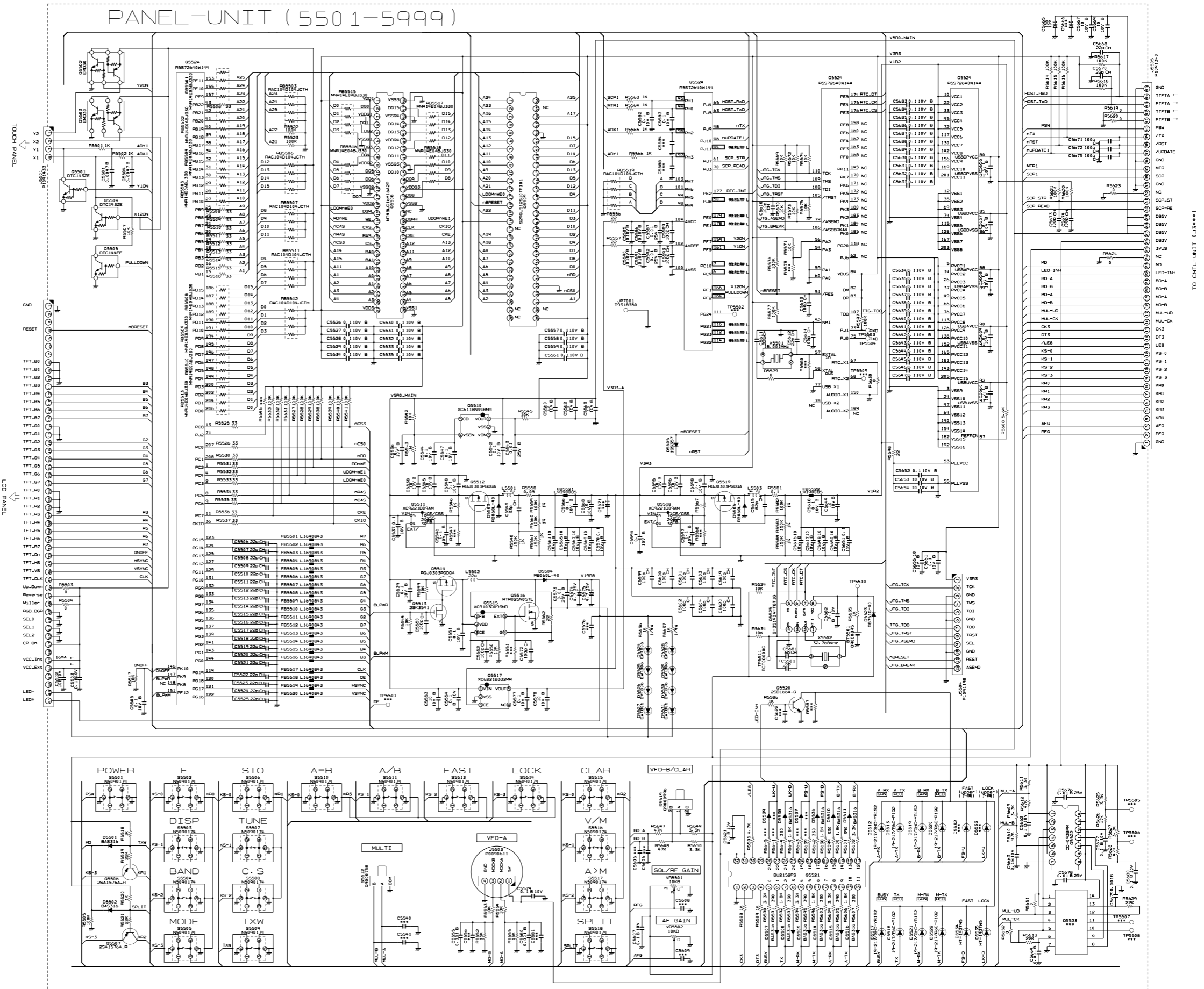


NOTE:  
 RESISTOR VALUES ARE IN Ω, 1/16W ;  
 CAPACITOR VALUES ARE IN μF, 50V ;  
 CAPACITOR VALUES ARE IN nF, 50V ;  
 ELECTROLYTIC CAPACITOR ARE IN μF, 16V ;  
 INDUCTOR VALUES ARE IN μH ;  
 COILS VALUES ARE IN H ;  
 UNLESS OTHERWISE NOTED.



# PANEL Unit (Lot. 1)

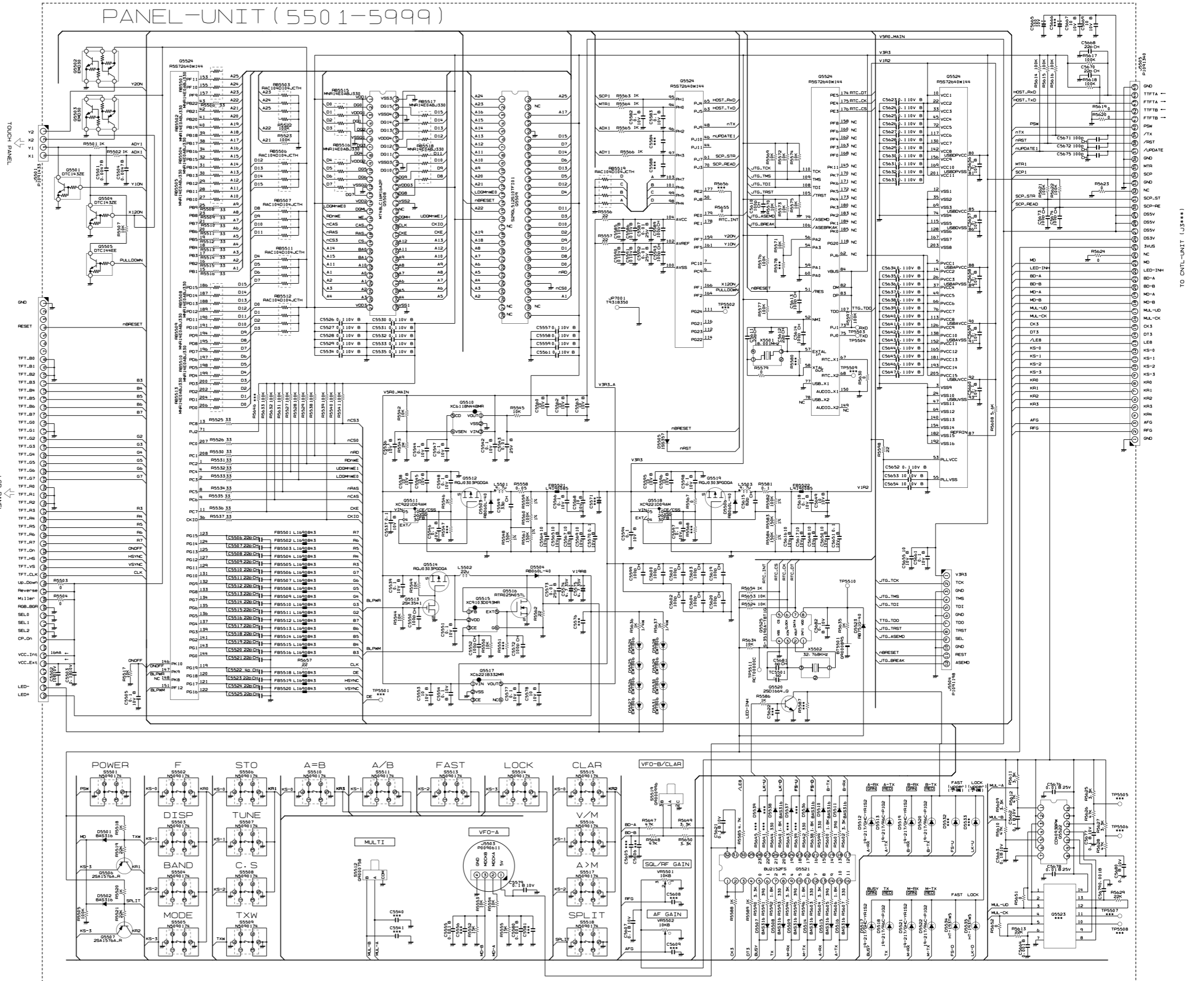
## Circuit Diagram



PANEL-1

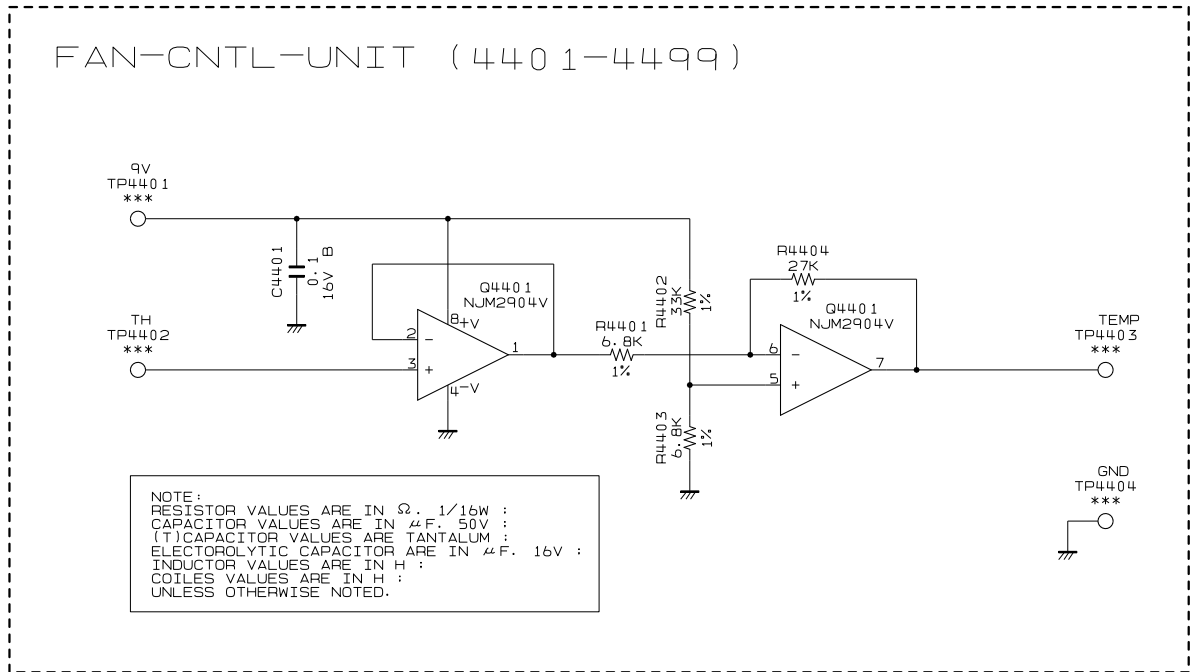
# PANEL Unit (Lot. 2 -)

## Circuit Diagram

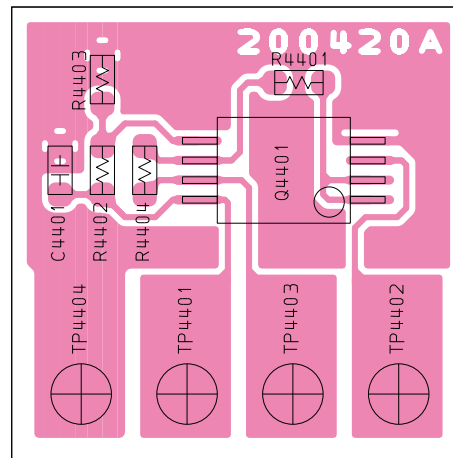


# FAN-CNTL Unit (Lot. 1 - 2)

## Circuit Diagram



## Parts Layout

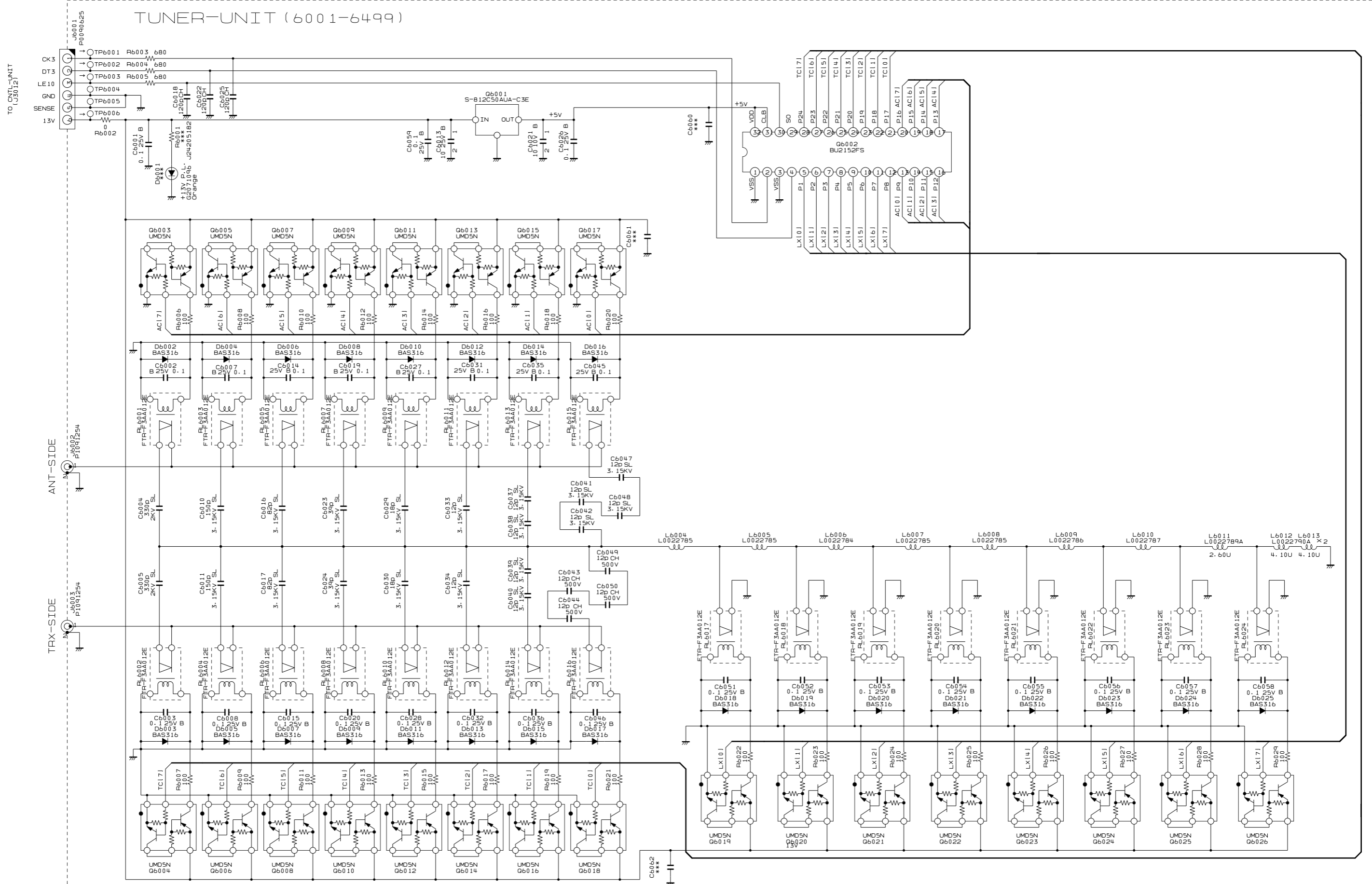


## Parts List

REF	DESCRIPTION	VALUE	V/W	TOL.	MFR'S DESIG	YAESU P/N	VERS.	LOT	SIDE	LAY ADR
C 4401	CHIP CAP.	0.1uF	16V	B	GRM188B11C104KA01D	K22124805		1-2		
Q 4401	IC				NJM2904V-TE1	G1091677		1-2		
R 4401	CHIP RES.	6.8k	1/16W	1%	RMC1/16 682FTP	J24183682		1-2		
R 4402	CHIP RES.	33k	1/16W	1%	RMC1/16 333FTP	J24183333		1-2		
R 4403	CHIP RES.	6.8k	1/16W	1%	RMC1/16 682FTP	J24183682		1-2		
R 4404	CHIP RES.	27k	1/16W	1%	RMC1/16 273FTP	J24183273		1-2		

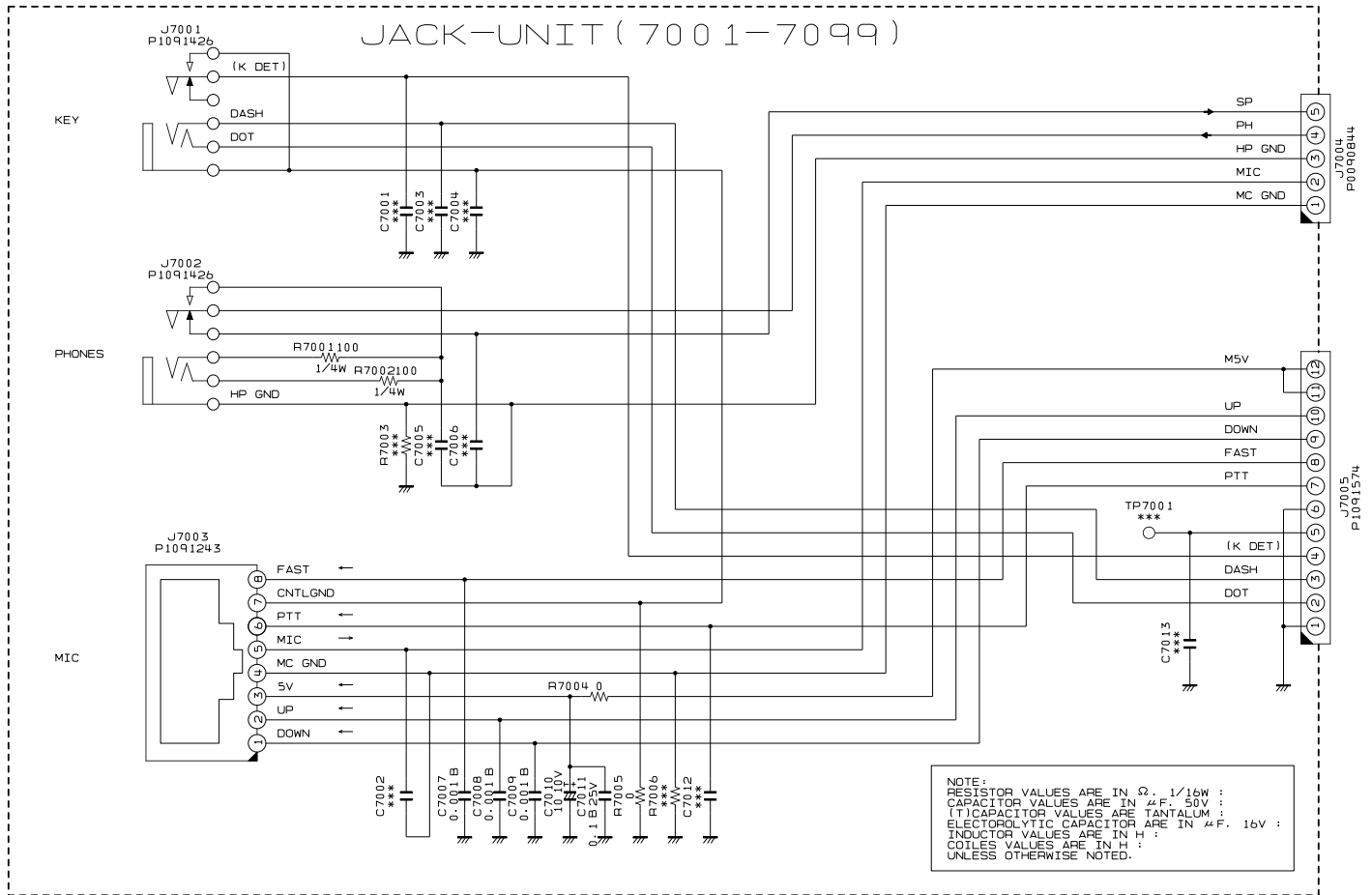


# TUNER Unit Circuit Diagram



# JACK Unit

## Circuit Diagram



# DSP Unit Circuit Diagram

