

Scanned by PA3AGZ

RF. Ampl.

1^e Mix.

2^e Mix

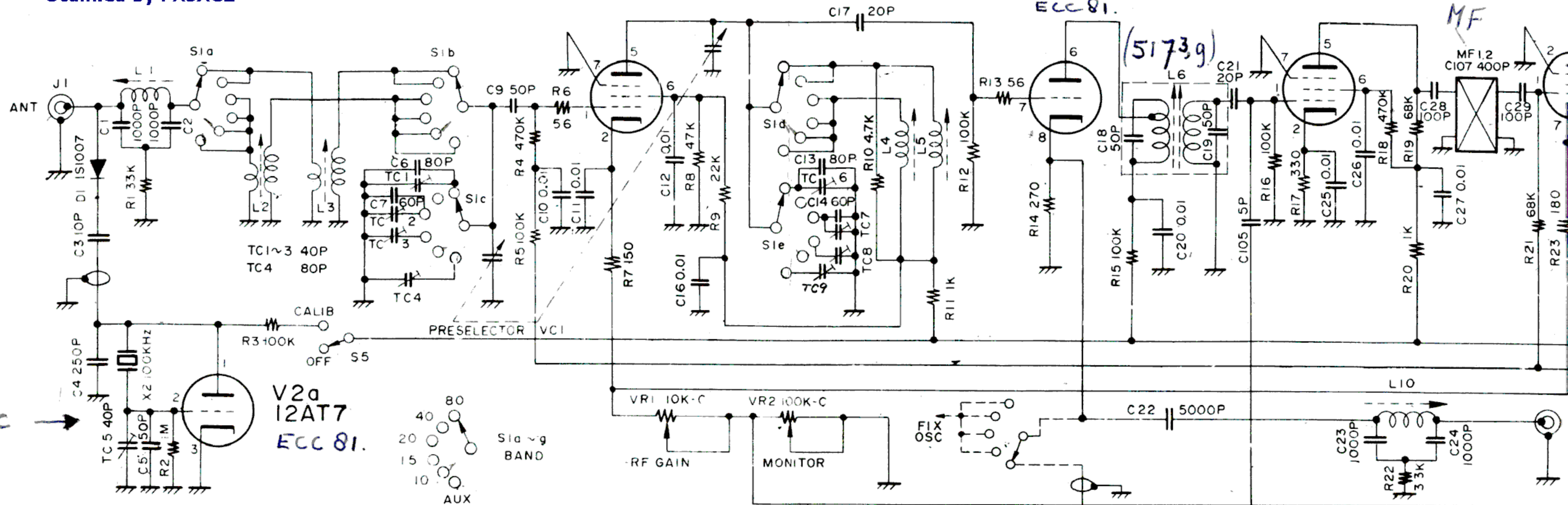
1^e I

V1 6BZ6

V2b 12AT7
ECC 81.

V3 6CB6

V4



Cal. osc

V2a 12AT7
ECC 81.



S1a ~ g
BAND

RF GAIN

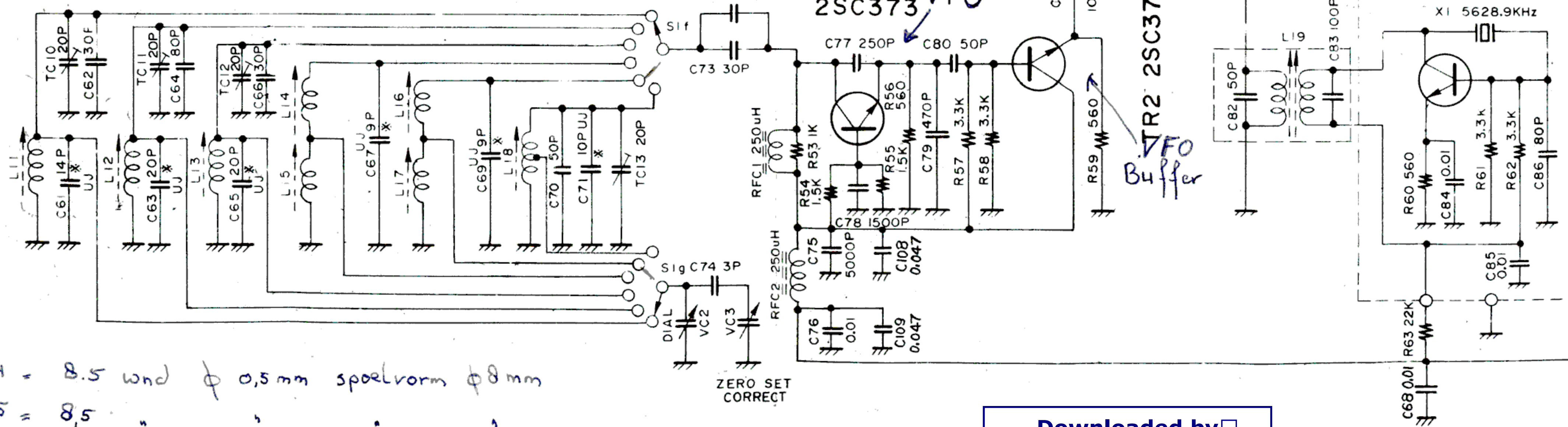
MONITOR

FIX OSC

TR1 2SC373 VFO

TR2 2SC372Y
VFO Buffer

TR3 2SC372Y 2^e



- L14 = 8.5 wnd φ 0.5 mm spælform φ 8 mm
- L15 = 8.5 " " " " "
- L16 = 5.5 " " " " "
- L17 = 5.5 " " " " "

1^e Mix.

2^e Mix

1^e IF Ampl.

2^e IF Ampl.

Prod. det.

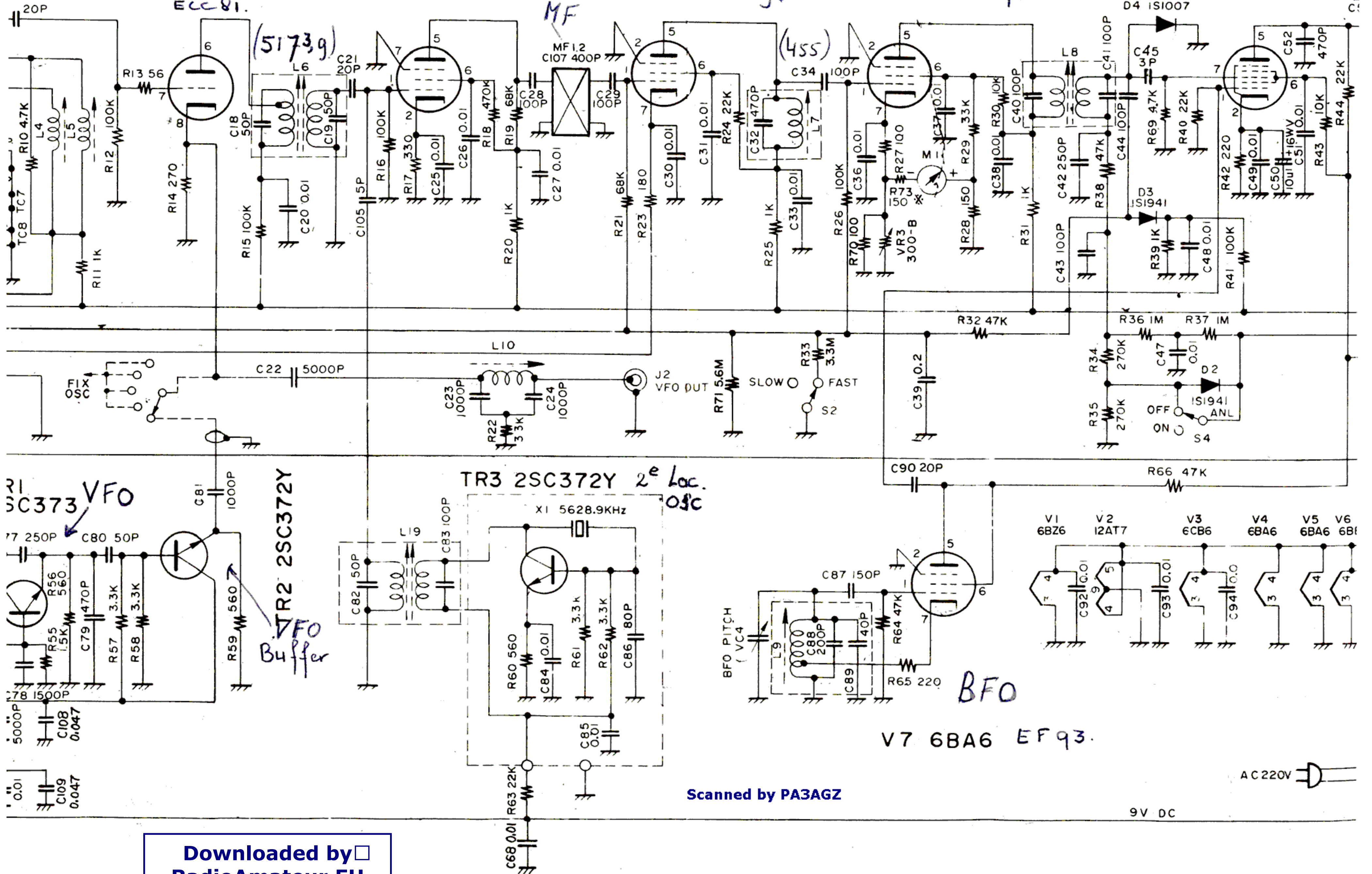
V2b 12AT7
ECC81.

V3 6CB6

V4 6BA6 EF93.

V5 6BA6 EF93.

V6 6BE6 EK9



Scanned by PA3AGZ

9V DC

AC 220V

Ampl.

Prod. det.

AF Ampl.

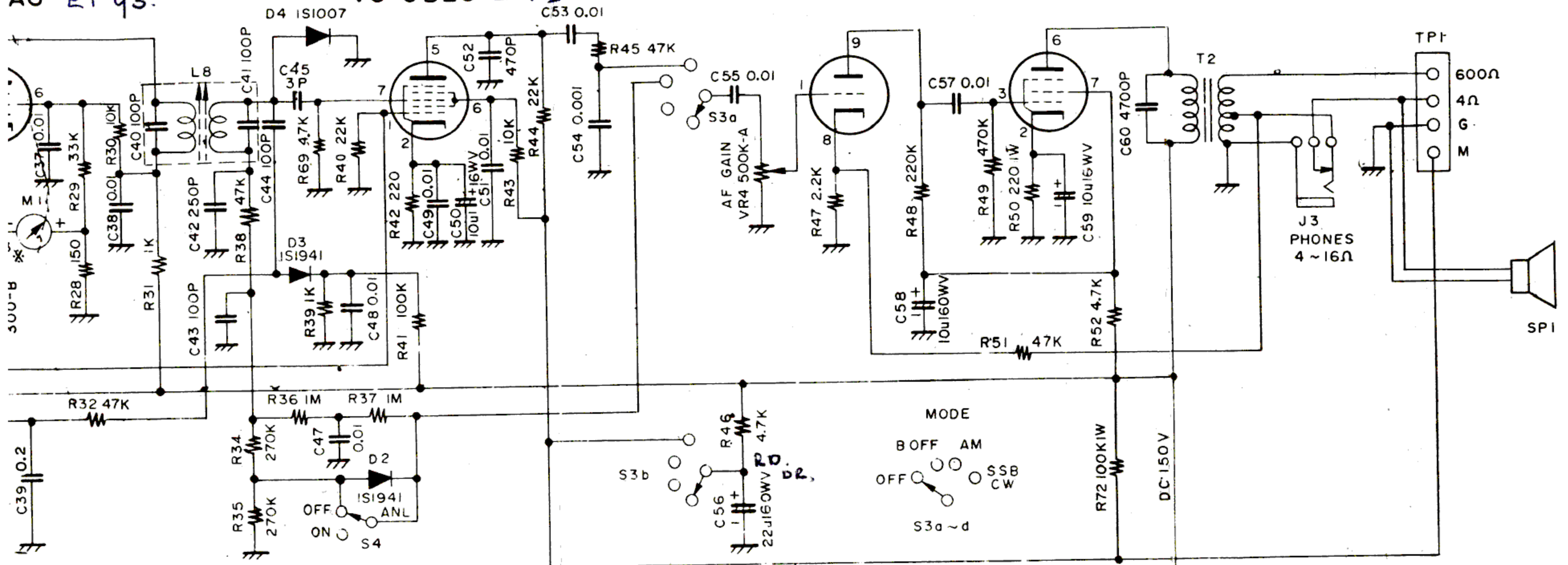
AF PA

Downloaded by RadioAmateur.EU

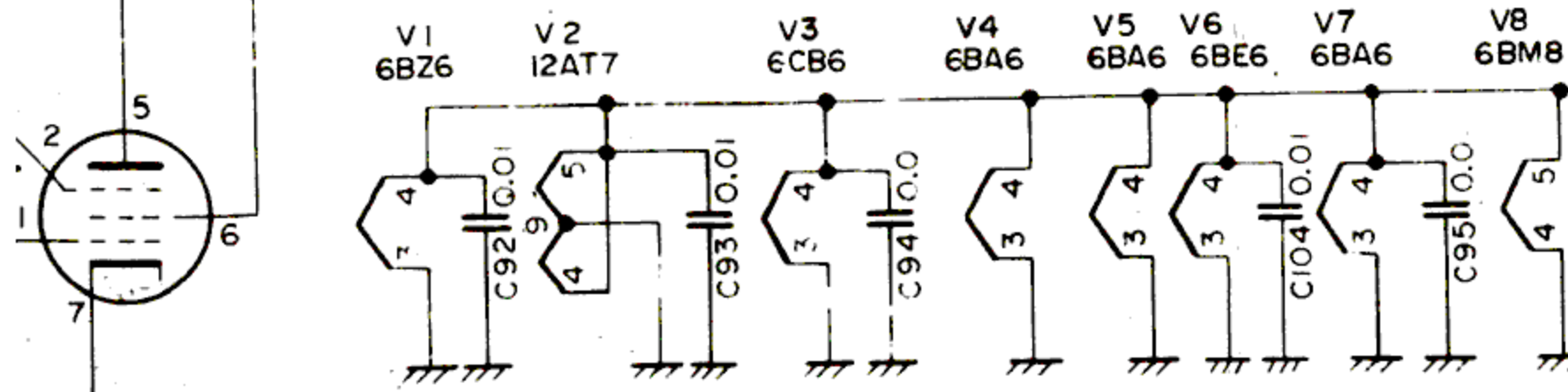
A6 EF93.

V6 6BE6 EK 90

V8a 6BM8 — V8b 6BM8 ECL 82



10 20P



BFO

7 6BA6 EF93.

Scanned by PA3AGZ

D5 ~ D8 1S1943
C98 ~ C101 4700P

- NOTES:
1. ALL RESISTOR IN OHM 1/2W ±10% UNLESS OTHERWISE NOTED.
 2. CAPACITOR IN uF UNLESS OTHERWISE NOTED.
 3. * VALUE IS NOMINAL.

Scanned by PA3AGZ

FR-50B
CIRCUIT DIAGRAM

9V DC

