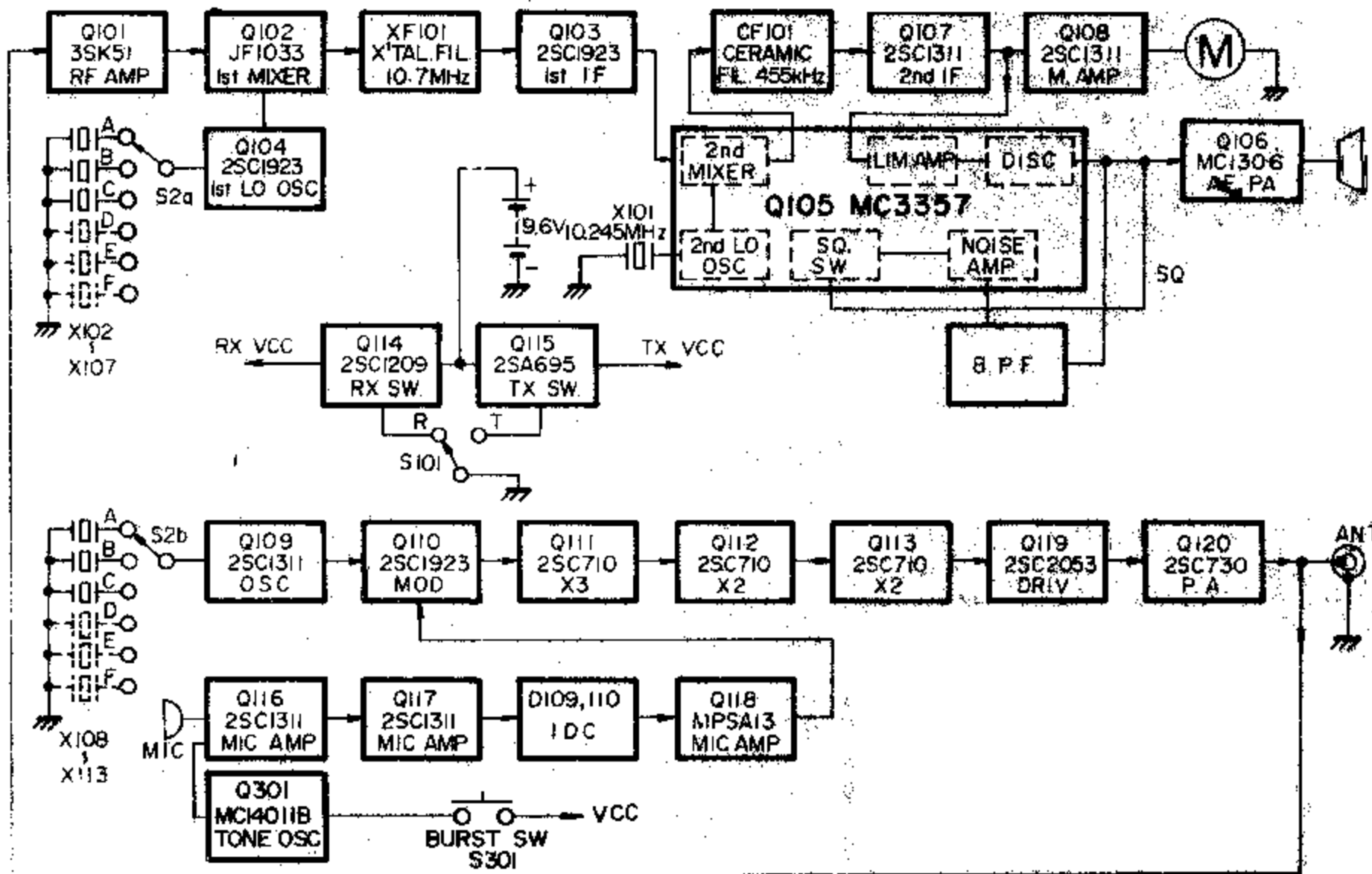
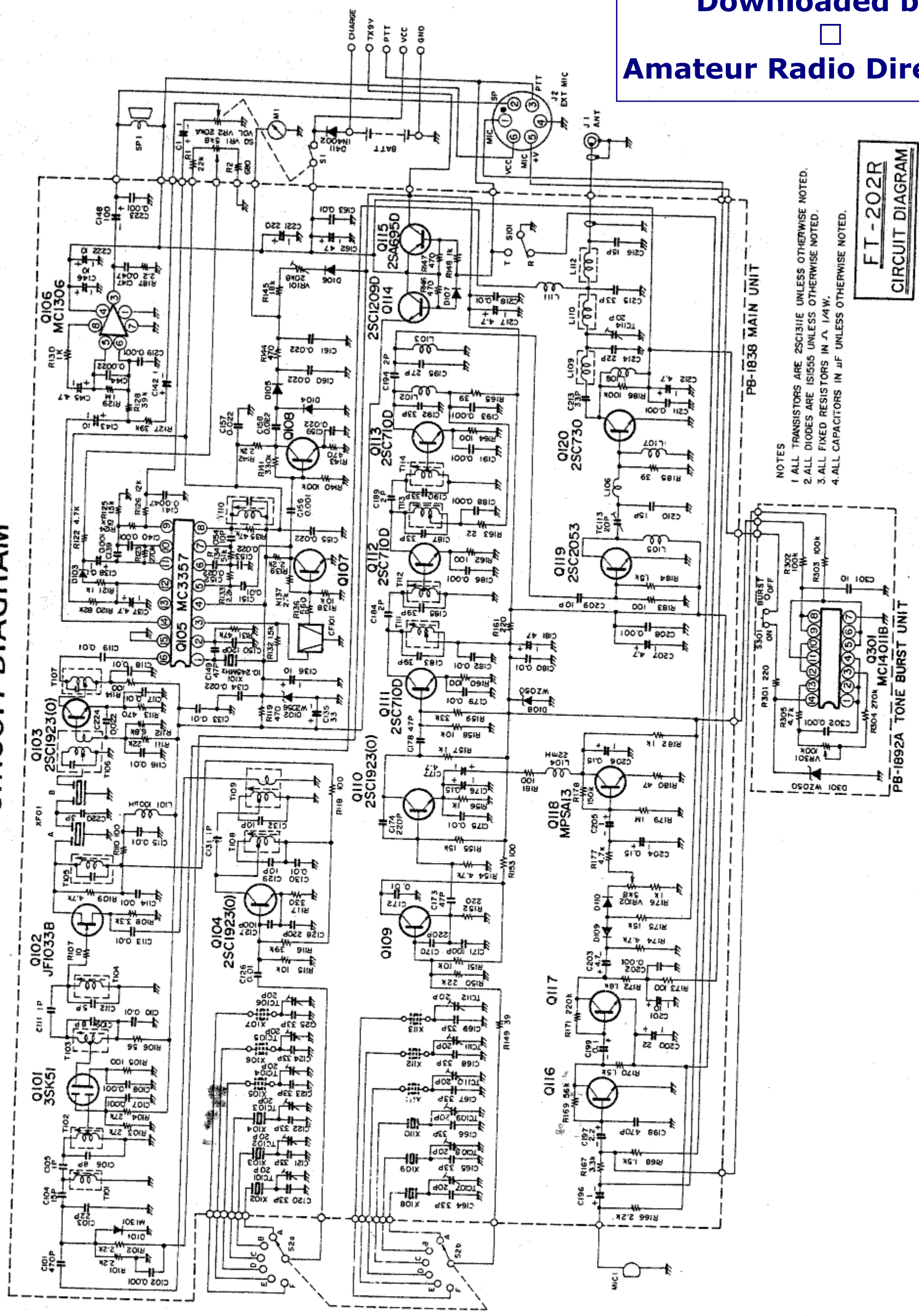


BLOCK DIAGRAM



CIRCUIT DIAGRAM



- NOTES
1. ALL TRANSISTORS ARE 2SC131E UNLESS OTHERWISE NOTED.
 2. ALL DIODES ARE 1S155S UNLESS OTHERWISE NOTED.
 3. ALL FIXED RESISTORS IN Ω , 1/4W.
 4. ALL CAPACITORS IN μ F UNLESS OTHERWISE NOTED.

FT-202R
 CIRCUIT DIAGRAM