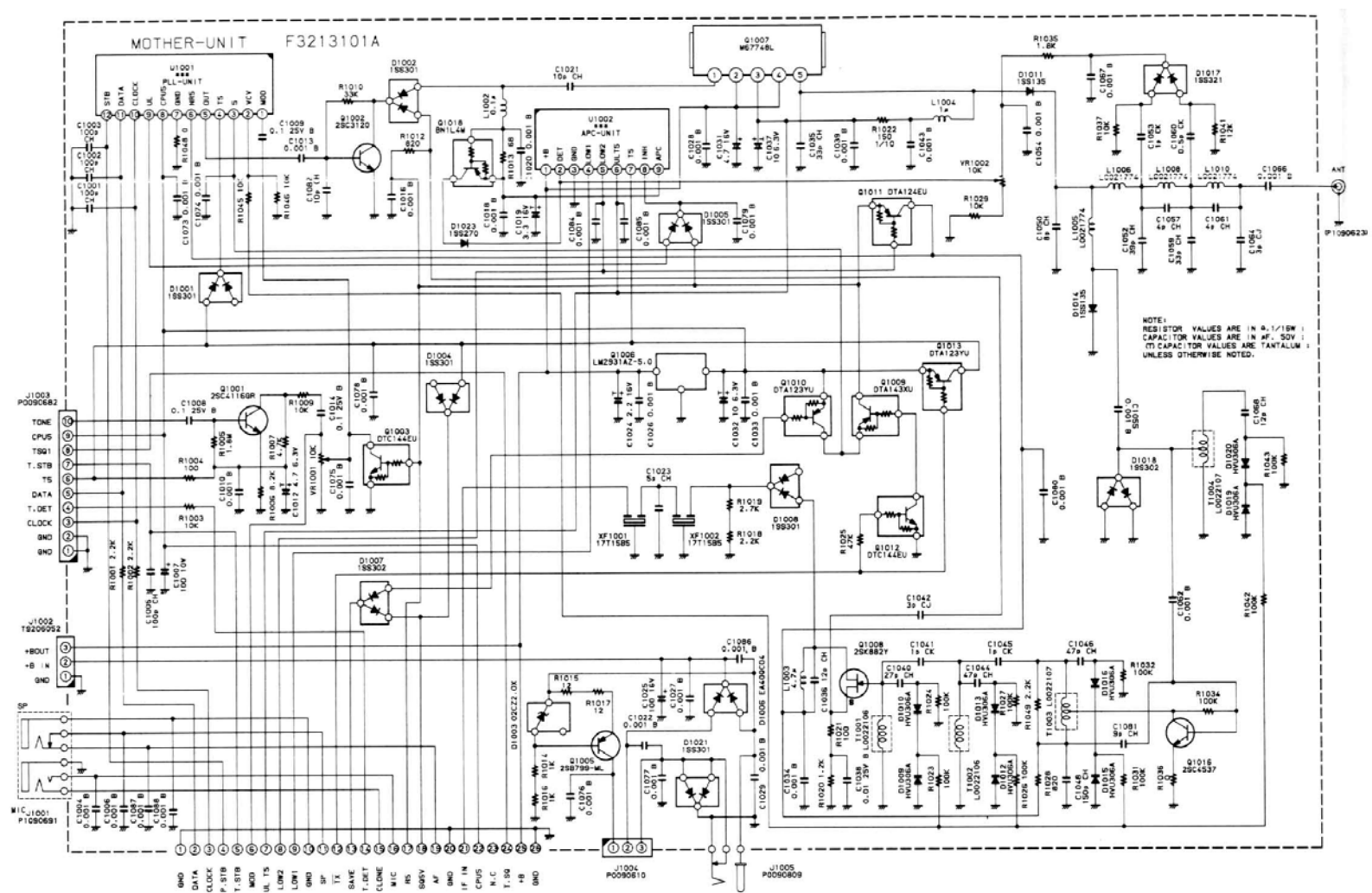
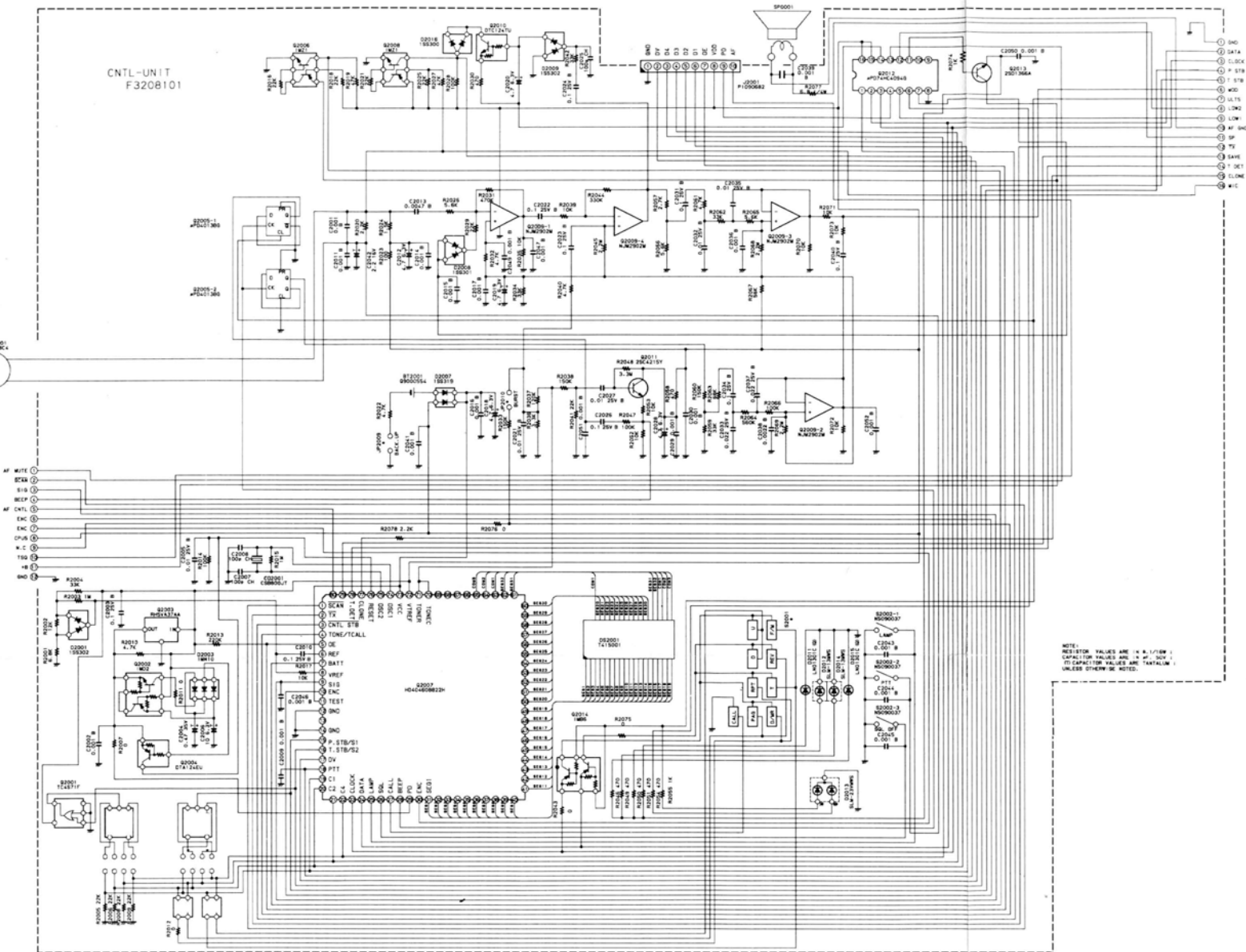


MOTHER-UNIT F3213101A



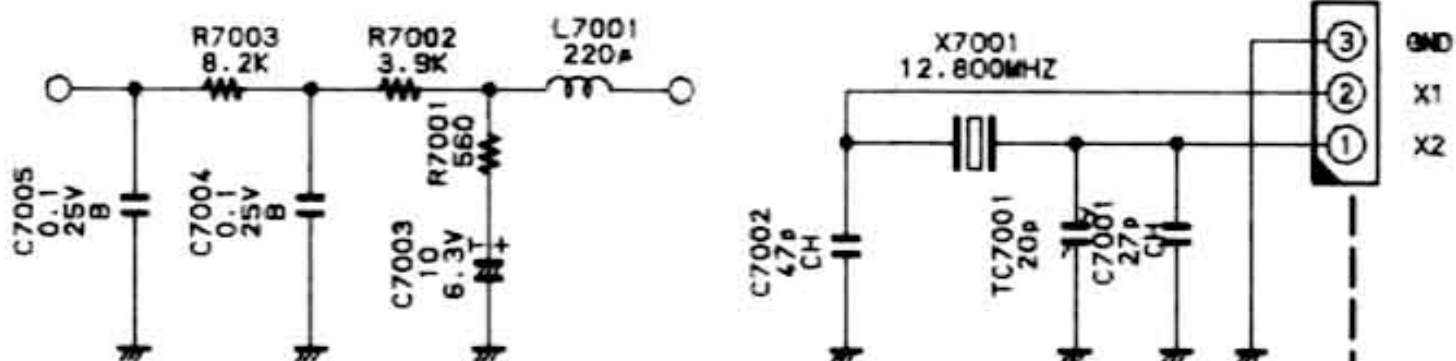
NOTE:
RESISTOR VALUES ARE IN OHMS, 1/10W
CAPACITOR VALUES ARE IN PF, 50V
70 CAPACITOR VALUES ARE IN KTA, 10W

CNTL-UNIT
F3208101



NOTE:
RESISTOR VALUES ARE IN Ω , k , M , Ω ;
CAPACITOR VALUES ARE IN μ , n , p , F ;
T CAPACITOR VALUES ARE TANTALUM;
UNLESS OTHERWISE NOTED.

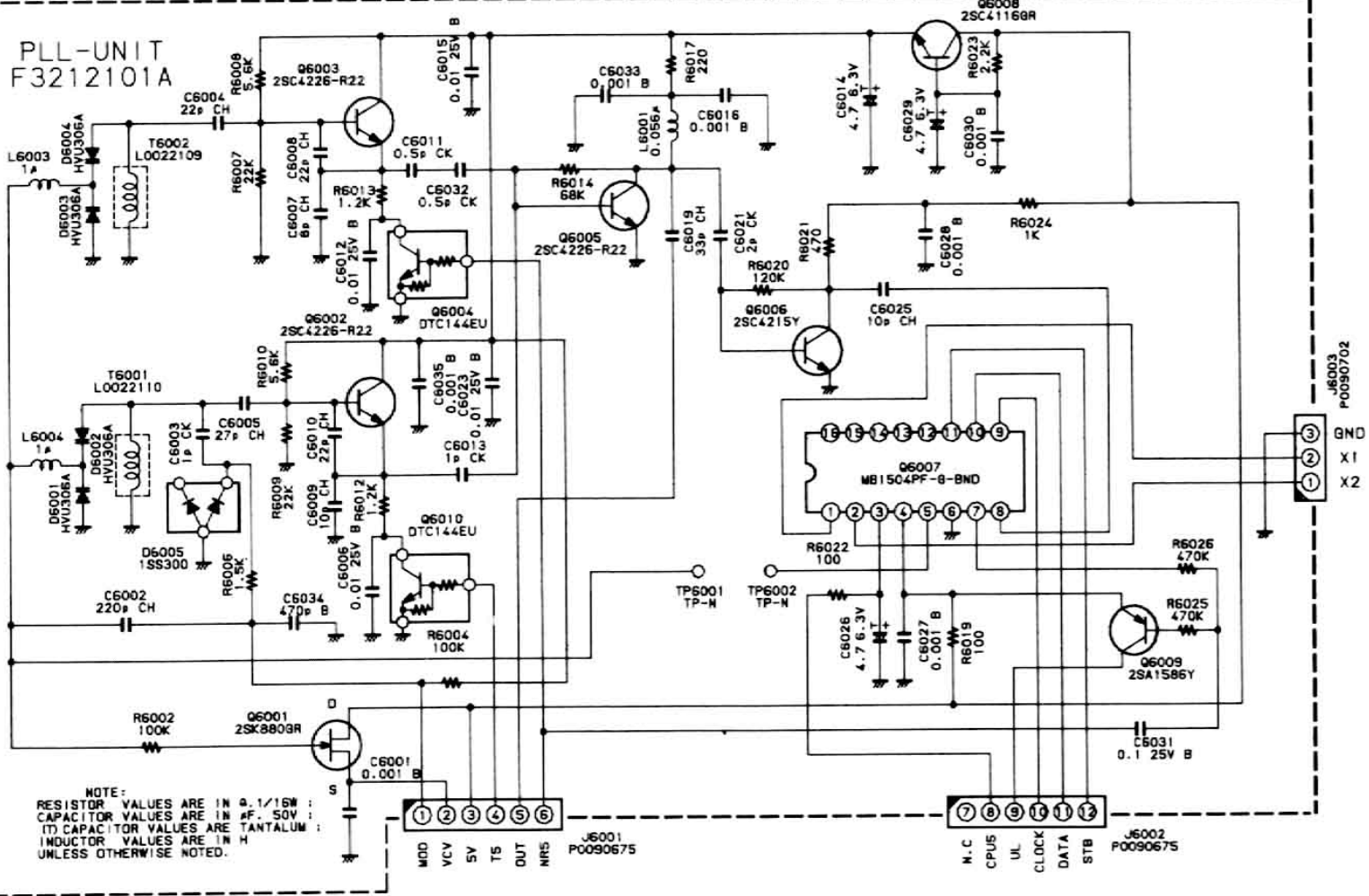
CLOCK-UNIT F3222101A



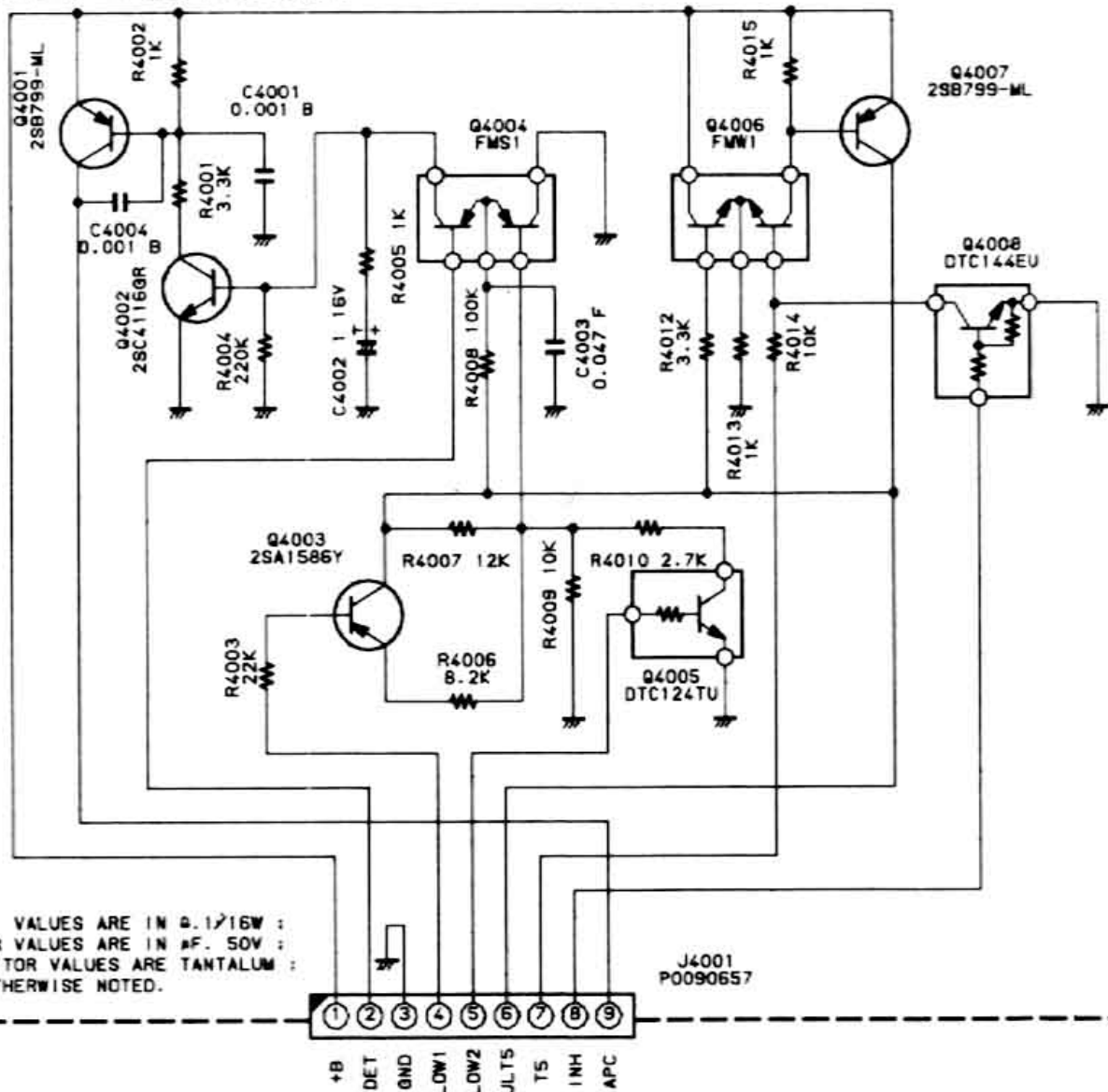
NOTE:

RESISTOR VALUES ARE IN Ω , 1/16W ;
 CAPACITOR VALUES ARE IN μ F, 50V ;
 (T) CAPACITOR VALUES ARE TANTALUM ;
 INDUCTOR VALUES ARE IN H
 UNLESS OTHERWISE NOTED.

PLL-UNIT F3212101A



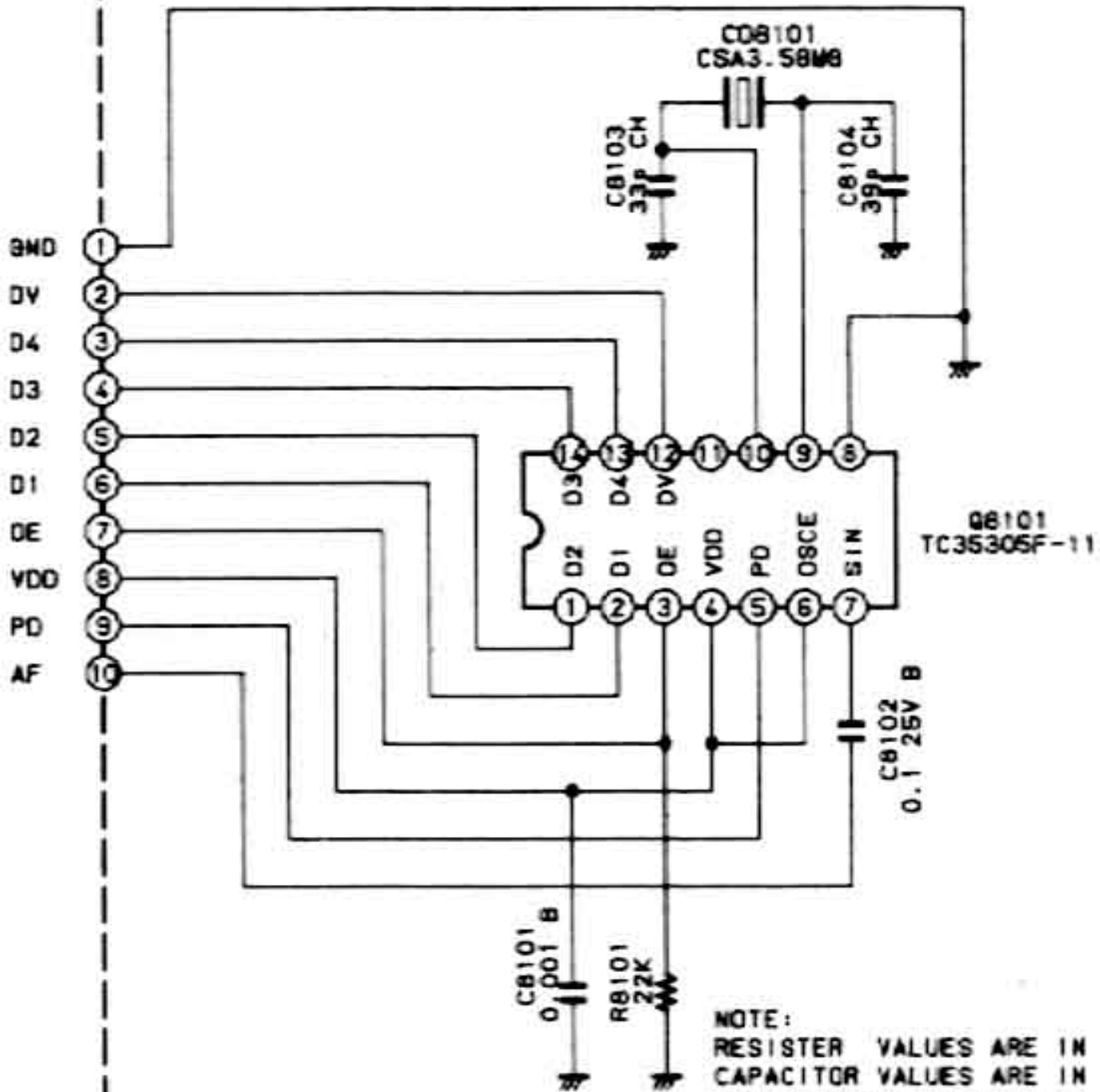
APC-UNIT F3212102A



NOTE:
 RESISTOR VALUES ARE IN Ω, 1/16W ;
 CAPACITOR VALUES ARE IN μF, 50V ;
 (T) CAPACITOR VALUES ARE TANTALUM ;
 UNLESS OTHERWISE NOTED.

PAG-UNIT

F3208102



NOTE:
 RESISTOR VALUES ARE IN Ω, 1/15W ;
 CAPACITOR VALUES ARE IN μF, 50V ;
 (T) CAPACITOR VALUES ARE TANTALUM ;
 UNLESS OTHERWISE NOTED.

VR-UNIT F3211000

VR5001-2
20KA/SW
POW

VR5001-1
20KA/SW
VOL

S5001
EC09P20-04

VR5002
50KB

