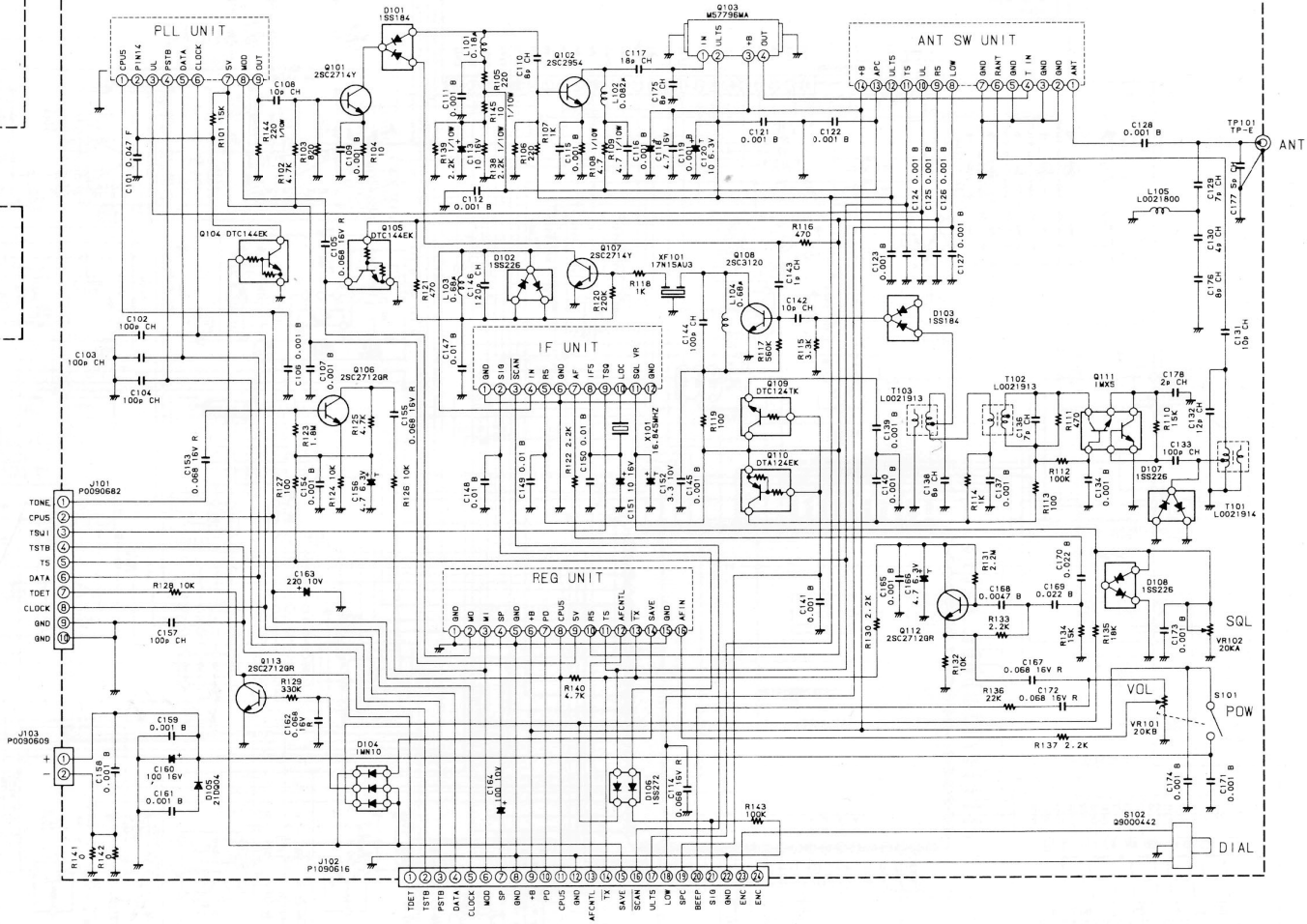
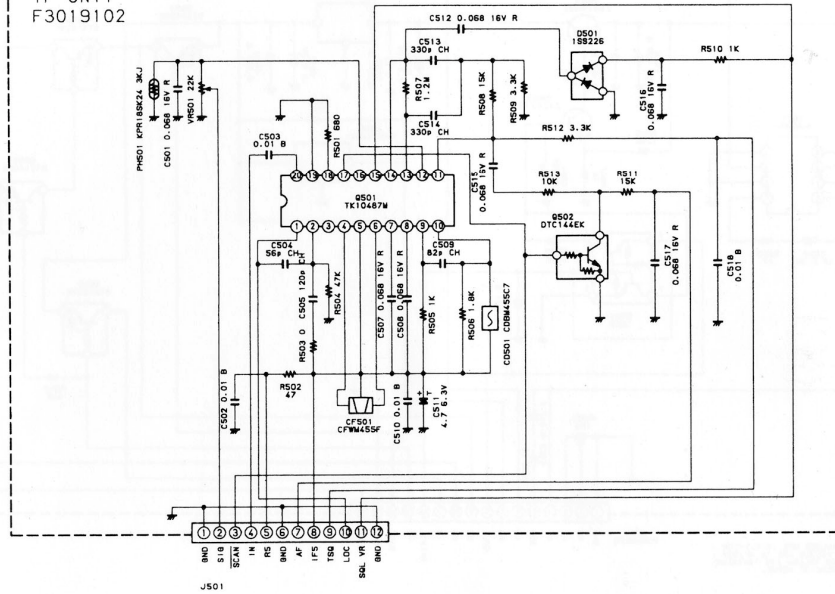


MOTHER BOARD UNIT
F3018102



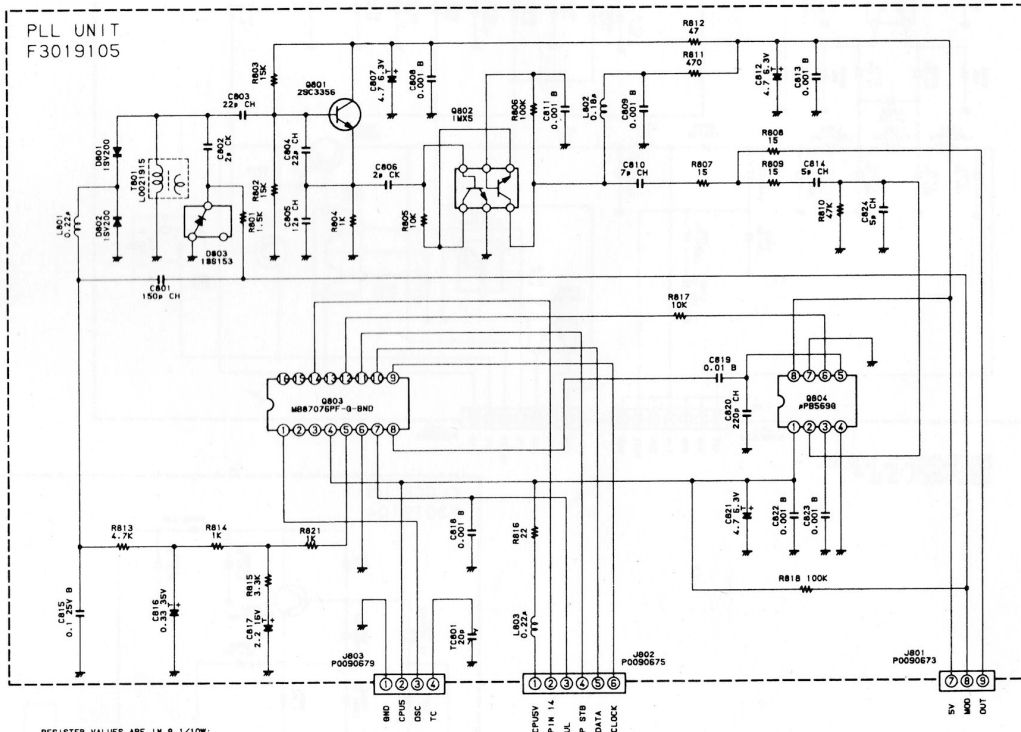
RESISTOR VALUE ARE IN Ω, 1/10W;
CAPACITOR VALUES ARE IN nF, 50V;
INDUCTOR VALUES ARE IN μH;
UNLESS OTHERWISE NOTED,
JIC, J105, J106 JAPAN ONLY.

IF UNIT
F3019102



RESISTOR VALUES ARE IN Ω , $\frac{1}{10}\Omega$,
CAPACITOR VALUES ARE IN μ F, 50V;
INDUCTOR VALUES ARE IN mH;
UNLESS OTHERWISE NOTED.

PLL UNIT
F3019105



RESISTOR VALUES ARE IN Ω , $\frac{1}{10}\Omega$,
CAPACITOR VALUES ARE IN μ F, 50V;
INDUCTOR VALUES ARE IN mH;
UNLESS OTHERWISE NOTED.

