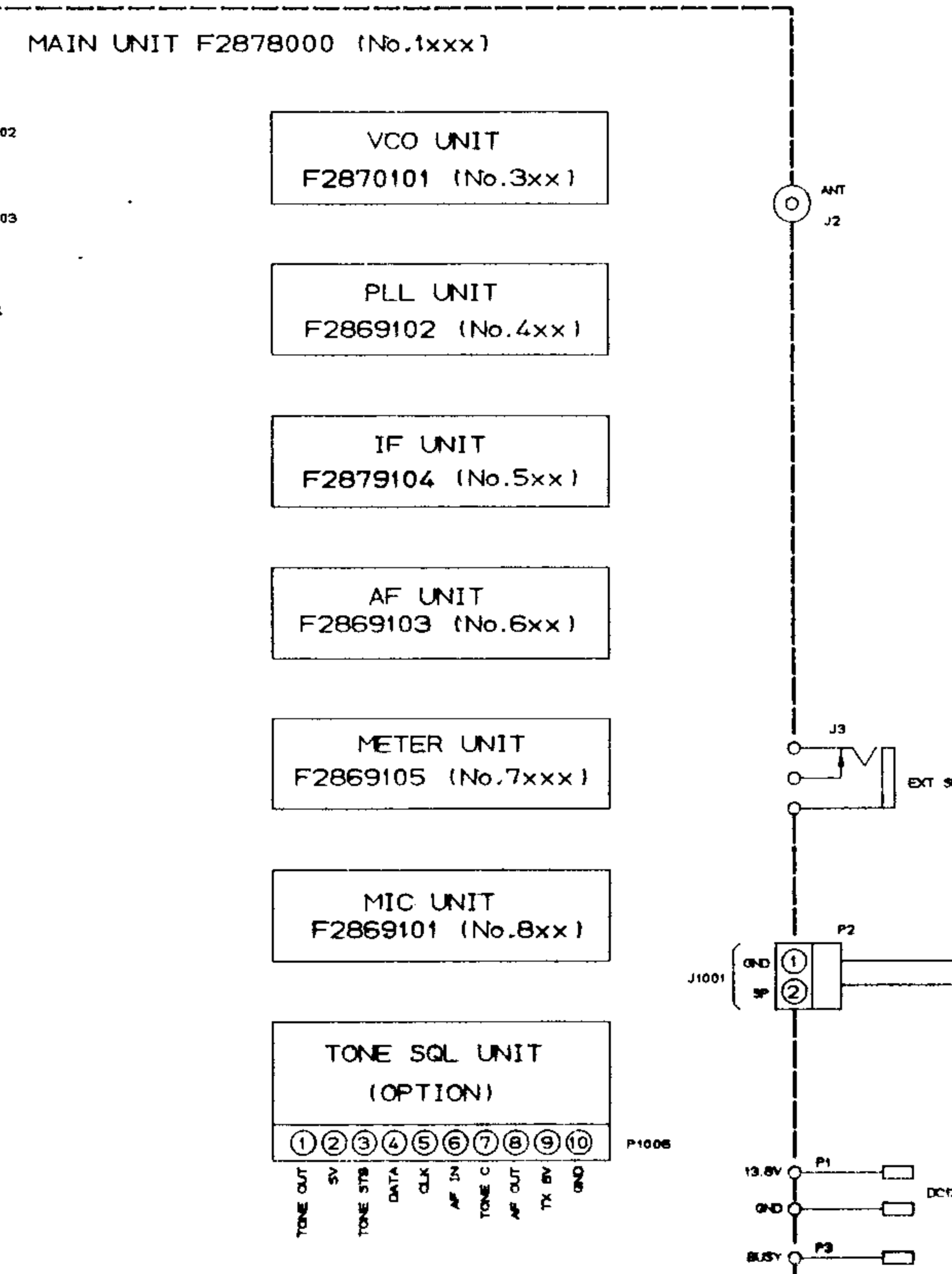
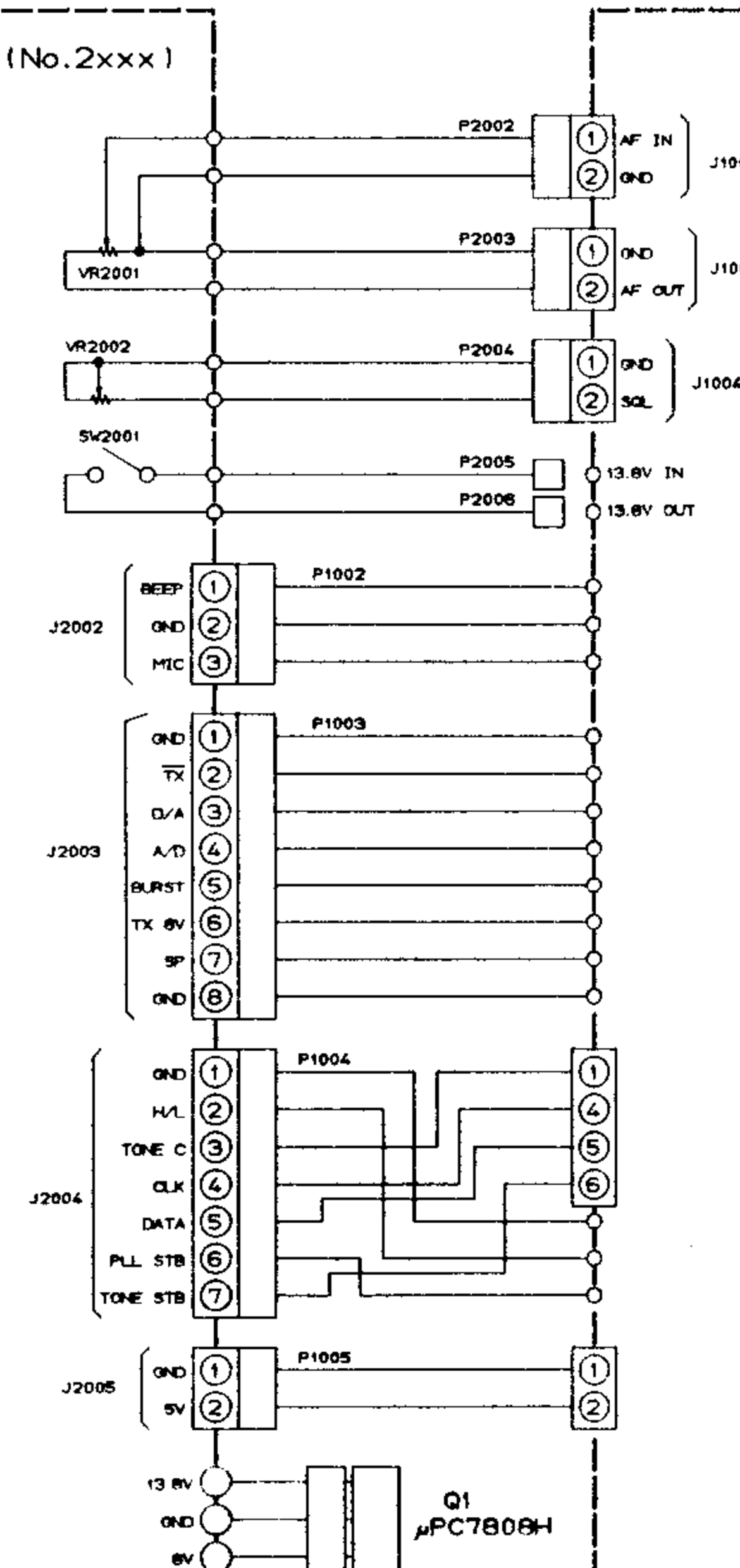
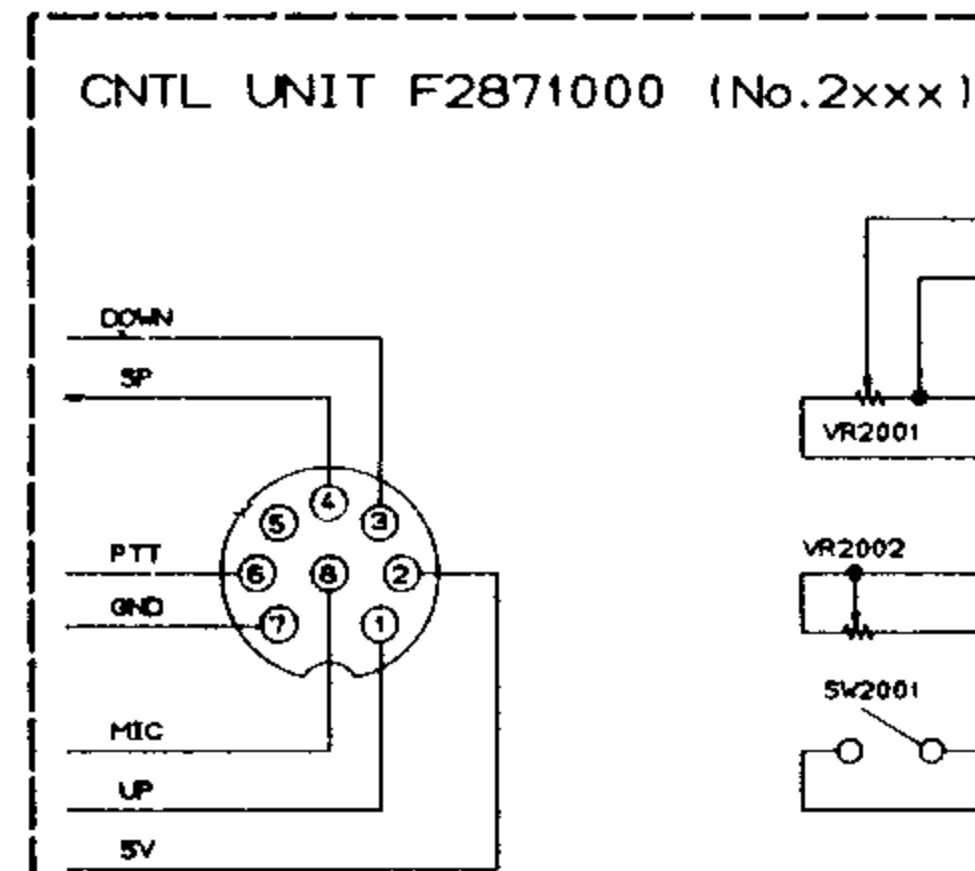
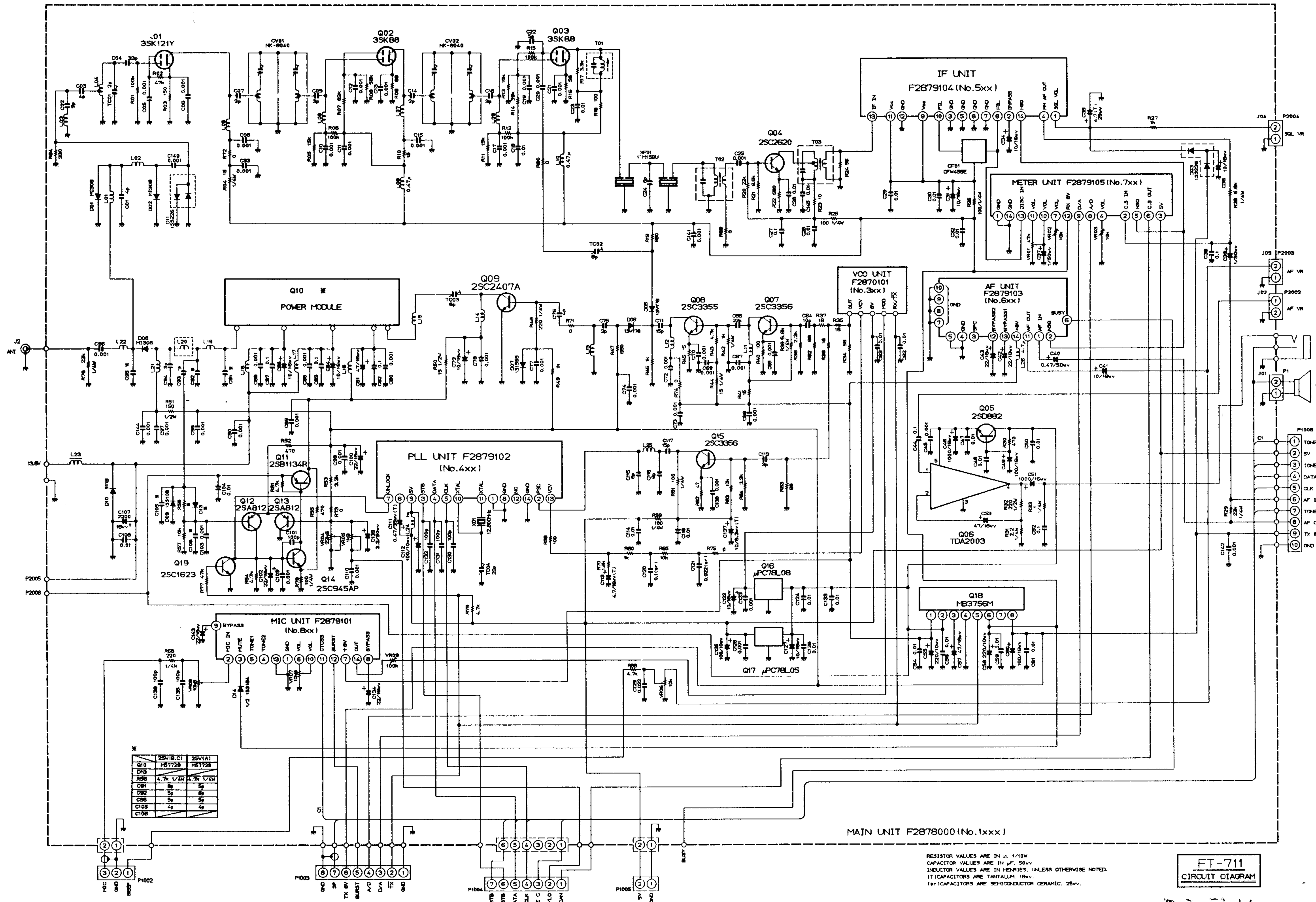


Downloaded by
RadioAmateur.EU



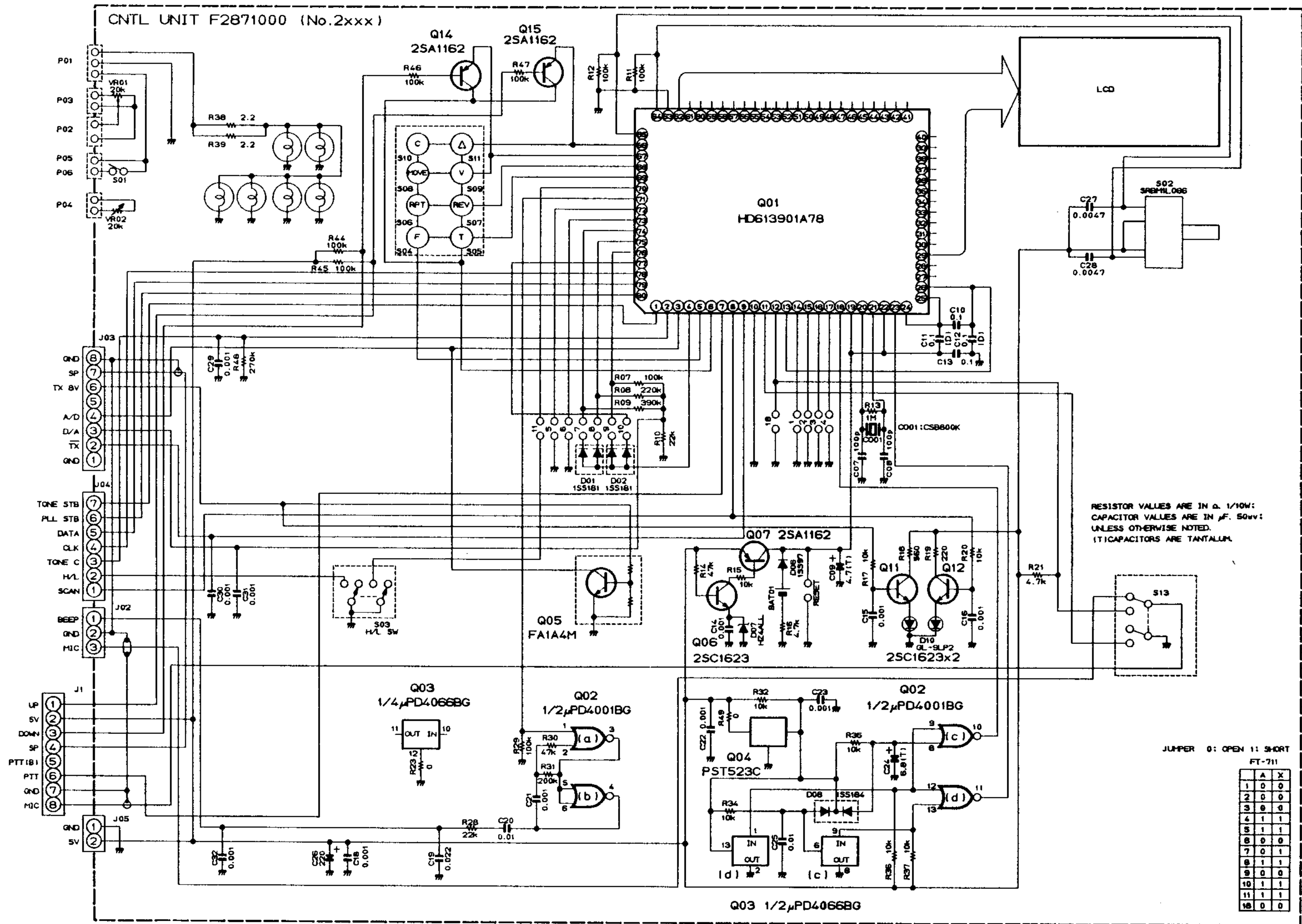


Q10	25V18 C1	25V1A1
D13	H57728	H57728
R08	4.7k 1/4W	4.7k 1/4W
C91	5p	5p
C92	5p	5p
C95	5p	5p
C105	4p	4p
C106		

RESISTOR VALUES ARE IN Ω, 1/10W.
 CAPACITOR VALUES ARE IN μF, 50V.
 INDUCTOR VALUES ARE IN HENRIES, UNLESS OTHERWISE NOTED.
 (1) CAPACITORS ARE TANTALUM, 16V.
 (16) CAPACITORS ARE SEMI-CONDUCTOR CERAMIC, 25V.

FT-711
 CIRCUIT DIAGRAM

FT-711



FT-711

	A	X
1	0	0
2	0	0
3	0	0
4	1	1
5	1	1
6	0	0
7	0	1
8	1	1
9	0	0
10	1	1
11	1	1
12	0	0