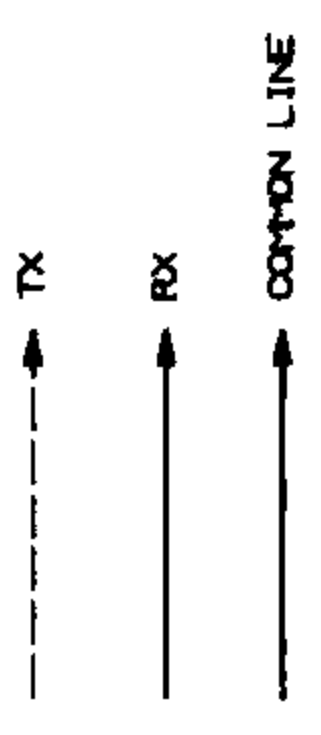
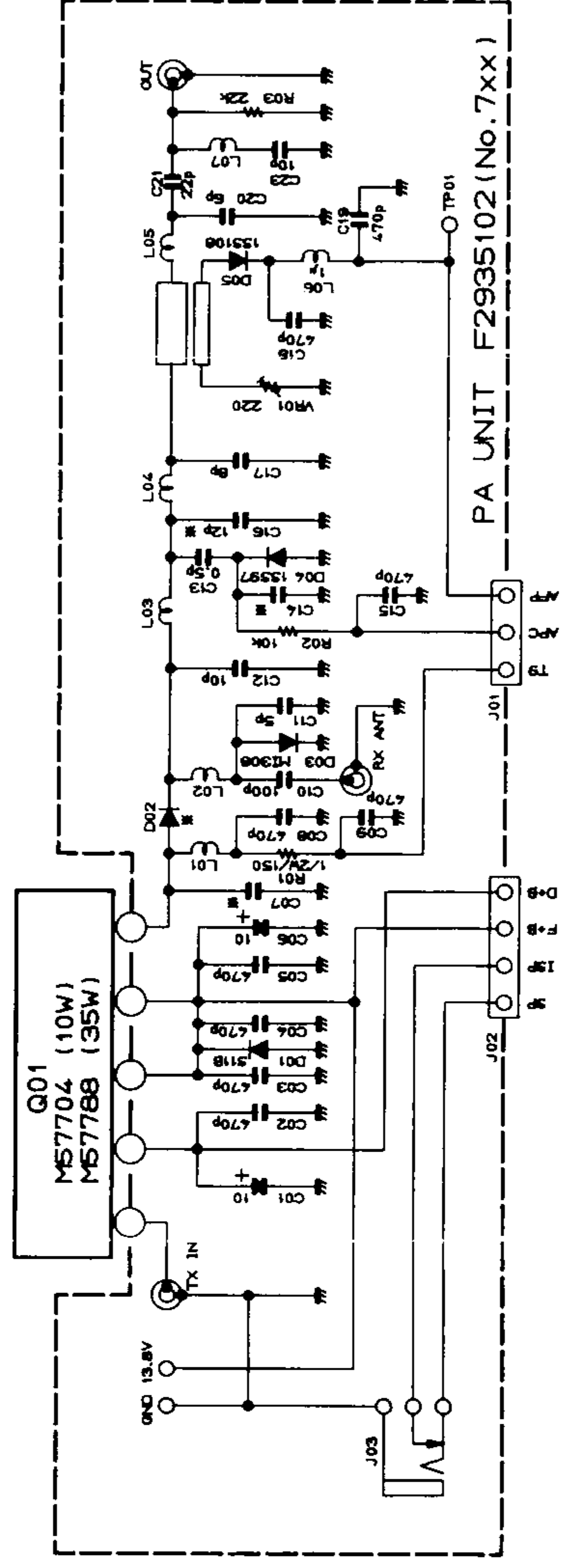
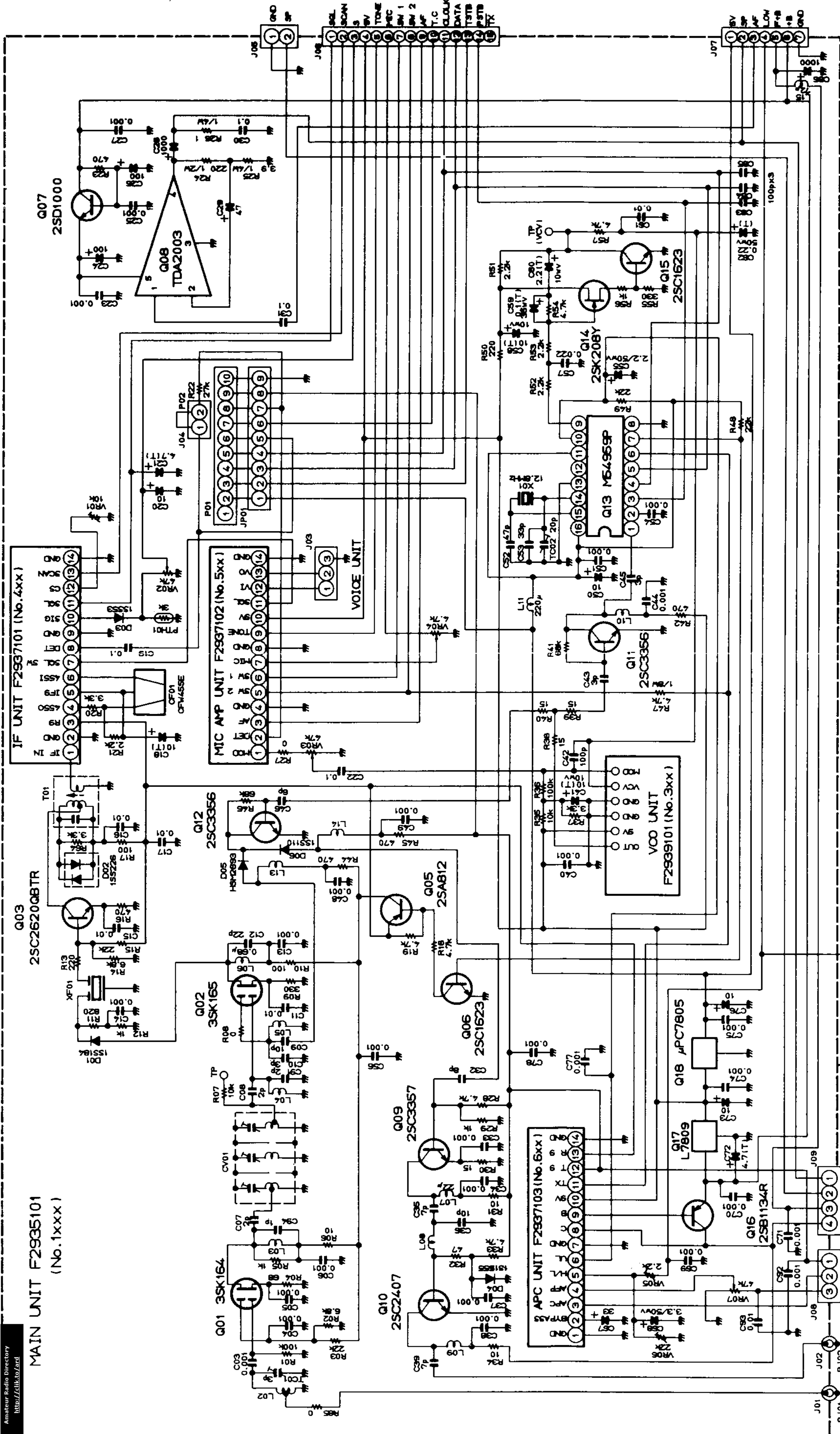


PA UNIT	F2935102
IF UNIT	F2937101
VCO UNIT	F2939101
MIC UNIT	F2937102
APC UNIT	F2937103
MAIN UNIT	F2935101



FT-712RH
BLOCK DIAGRAM

MAIN UNIT F2935101
(No. 1xxx)




RESISTOR VALUES ARE IN Ω, 1/10Ω;
CAPACITOR VALUES ARE IN μF, 50μV;
UNLESS OTHERWISE NOTED,
(T) CAPACITORS ARE TANTALUM.

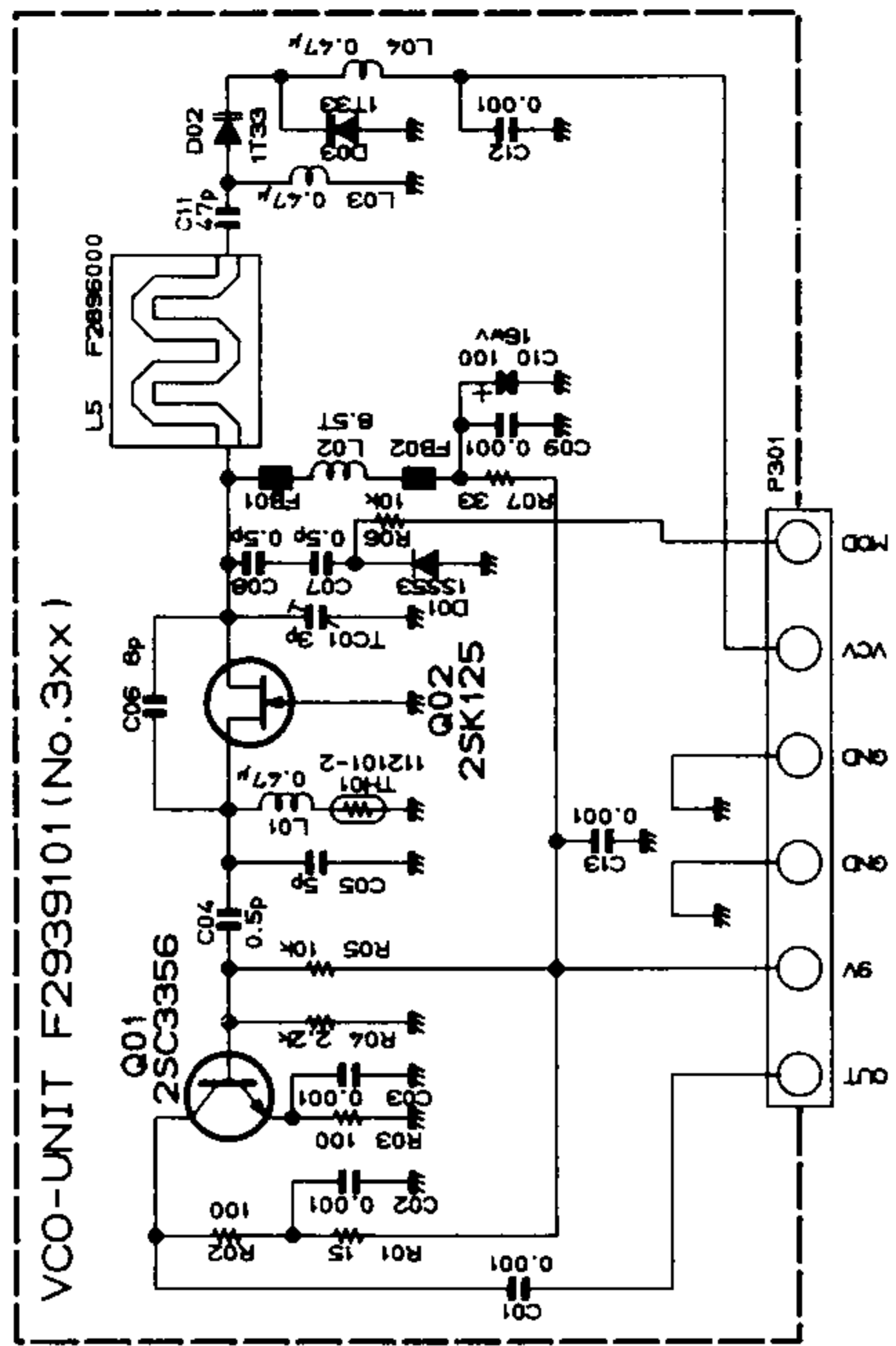
Q01	Q02	C07	C14	C18
50V M57788H	10W M57704H	2P	2P	GEORGIC
10V M57704H	10W M57704H	2P	2P	IGIP GEORGIC

RESISTOR VALUES ARE IN Ω, 1/10Ω;
CAPACITOR VALUES ARE IN μF, 50μV;
INDUCTOR VALUES ARE IN H;
ELECTROLYTIC CAPACITOR VALUES ARE IN μF, 10μV;
UNLESS OTHERWISE NOTED.

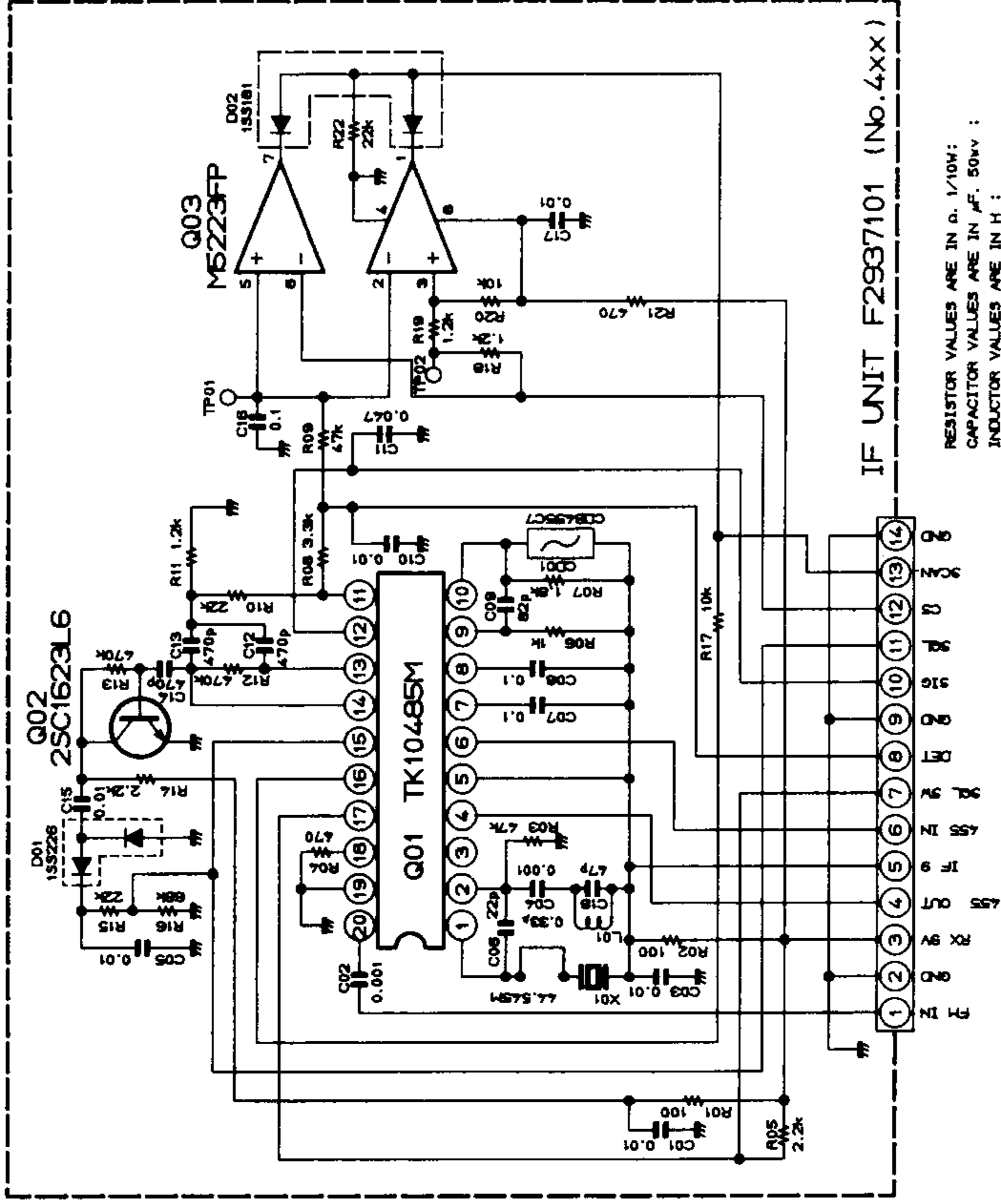
FT-712 Circuit Diagram

Downloaded by 

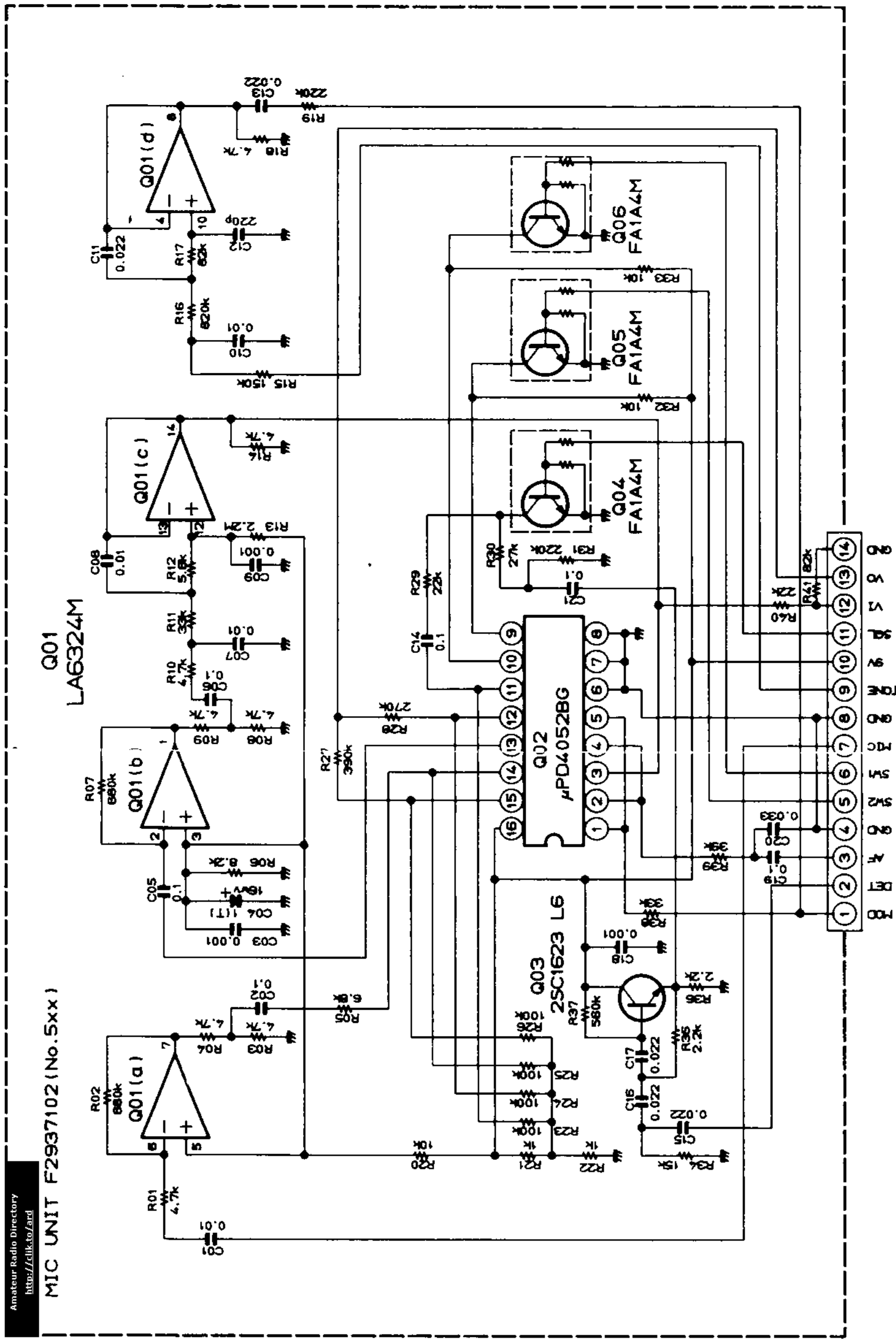
 Amateur Radio Directory



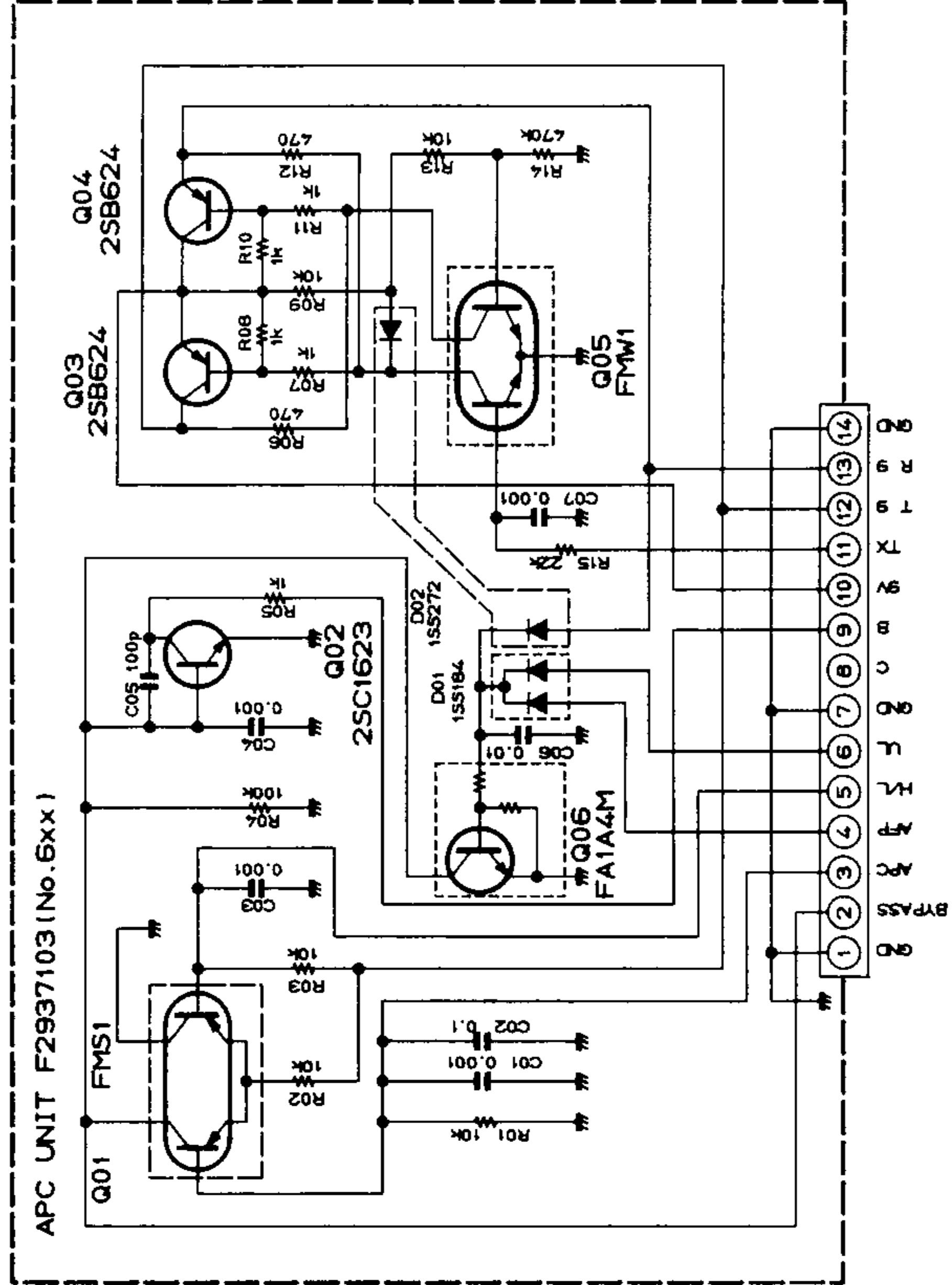
RESISTOR VALUES ARE IN Ω , 1/10W;
 CAPACITOR VALUES ARE IN μ F, 50V;
 INDUCTOR VALUES ARE IN H;
 UNLESS OTHERWISE NOTED.



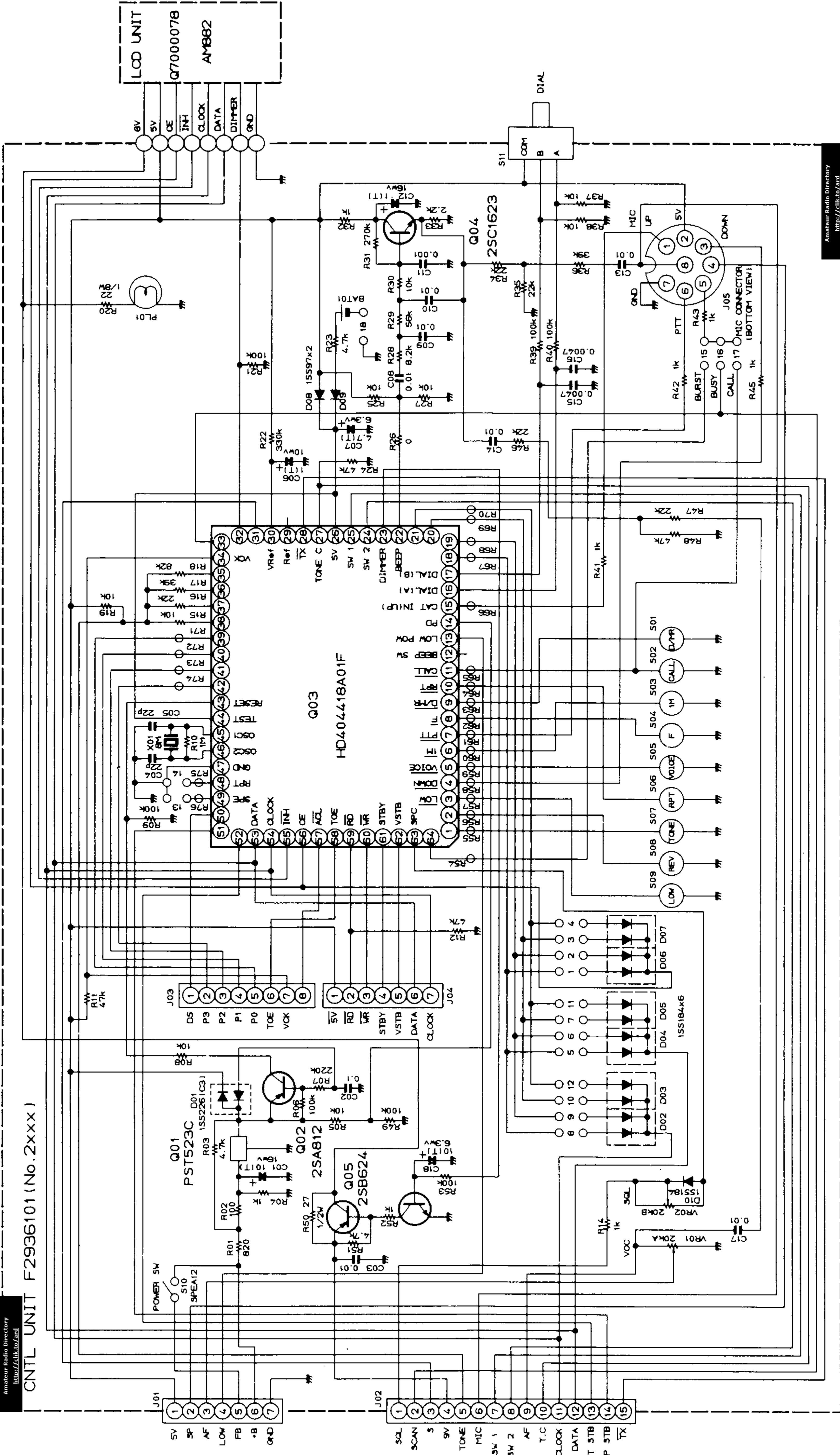
RESISTOR VALUES ARE IN Ω , 1/10W;
 CAPACITOR VALUES ARE IN μ F, 50V;
 INDUCTOR VALUES ARE IN H;
 UNLESS OTHERWISE NOTED.



RESISTOR VALUES ARE IN Ω , 1/10W;
 CAPACITOR VALUES ARE IN μ F, 50V;
 UNLESS OTHERWISE NOTED.



CNTL UNIT F2936101 (No. 2xxx)



RESISTOR VALUES ARE IN Ω , 1/10W;
CAPACITOR VALUES ARE IN μ F, 50V;
UNLESS OTHERWISE NOTED.
(T) CAPACITORS ARE TANTALUM.

- R54, R58, R61, R65, R66: 22k Ω
- R55-R57 } 150k Ω
- R59, R60 } 150k Ω
- R62-R64 } 150k Ω
- R67-R75 } 150k Ω
- R44: OUT OF USE