

144/430 MHz
Dual-Band FM Transceiver
with GPS

VX-8GR

Technical Supplement

©2010 VERTEX STANDARD CO., LTD. Printed in Japan.

EH041M90A

VERTEX STANDARD CO., LTD.

4-8-8 Nakameguro, Meguro-Ku, Tokyo 153-8644, Japan

VERTEX STANDARD

US Headquarters

10900 Walker Street, Cypress, CA 90630, U.S.A.

YAESU UK LTD.

Unit 12, Sun Valley Business Park, Winnall Close
Winchester, Hampshire, SO23 0LB, U.K.

VERTEX STANDARD HK LTD.

Unit 5, 20/F., Seaview Centre, 139-141 Hoi Bun Road,
Kwun Tong, Kowloon, Hong Kong

VERTEX STANDARD (AUSTRALIA) PTY., LTD.

Normanby Business Park, Unit 14/45 Normanby Road
Notting Hill 3168, Victoria, Australia



Introduction

This manual provides the technical information necessary for servicing the VX-8GR 144/430 MHz Dual-Band FM Transceiver.

Servicing this equipment requires expertise in handling surface-mount chip components. Attempts by non-qualified persons to service this equipment may result in permanent damage not covered by the warranty, and may be illegal in some countries.

Two PCB layout diagrams provided for each double-sided board in this transceiver. Each side of the board is referred to by the type of the majority of components installed on that side ("Side A" or "Side B"). In most cases one side has only chip components, and the other has either a mixture of both chip and leaded components (trimmers, coils, electrolytic capacitors, ICs, etc.), or leaded components only.

While we believe the information in this manual to be correct, VERTEX STANDARD assumes no liability for damage that may occur as a result of typographical or other errors that may be present. Your cooperation in pointing out any inconsistencies in the technical information would be appreciated.

Important Note

- 1) This transceiver was assembled using Pb (lead) free solder, based on the RoHS specification. Only lead-free solder (Alloy Composition: Sn-3.0Ag-0.5Cu) should be used for repairs performed on this apparatus. The solder stated above utilizes the alloy composition required for compliance with the lead-free specification, and any solder with the above alloy composition may be used.
- 2) Risk of explosion if battery is replaced by an incorrect type. Dispose of used batteries according to the instructions.

Contents

Specification	2
Exploded View & Miscellaneous Parts	4
Block Diagram	5
Alignment	7
Board Unit (Schematics, Layouts & Parts)	
RF Unit Circuit Diagram	19
RF Unit Parts Layout	20
RF Unit Parts List	21
CNTL Unit Circuit Diagram	37
CNTL Unit Parts Layout	38
CNTL Unit Parts List	39
CABLE Unit Circuit Diagram	49
CABLE Unit Parts Layout	49
CONNECT Unit Circuit Diagram	50
CONNECT Unit Parts Layout	50
MAIN VCO Unit Circuit Diagram	51
MAIN VCO Unit Parts Layout	51
MAIN VCO Unit Parts List	53
SUB VCO Unit Circuit Diagram	55
SUB VCO Unit Parts Layout	55
SUB VCO Unit Parts List	57

Specifications

GENERAL

Frequency Ranges:	A (Main) Band RX: 108-137 MHz (Air Band) 137-174 MHz (144 MHz HAM) 174-222 MHz (VHF-TV) 222-420 MHz (General 1) 420-470 MHz (430 MHz HAM) 470-800 MHz (UHF-TV, Cellular Blocked) 800-999.90 MHz (General 2, Cellular Blocked)
	B (Sub) Band RX: 108-137 MHz (Air Band) 137-174 MHz (144 MHz HAM) 174-222 MHz (VHF-TV) 222-420 MHz (General 1) 420-470 MHz (430 MHz HAM) 470-580 MHz (UHF-TV)
	TX: 144-146 MHz or 144-148 MHz 430-440 MHz or 430-450 MHz
Channel Steps:	5/6.25/8.33/10/12.5/15/20/25/50/100 kHz
Emission Type:	F1D, F2A, F2D, F3E
Frequency Stability:	±5 ppm (−10 °C to +60 °C [+14 °F to +140 °F])
Repeater Shift:	±600 kHz (144 MHz), ±1.6/5.0/7.6 MHz (430 MHz)
Antenna Impedance:	50 Ohms
Supply Voltage:	Nominal: 7.4 V DC (Negative Ground) Operating: 4-14 V DC (Negative Ground, EXT DC jack) Operating with Charging: 11-16 V DC (Negative Ground, EXT DC jack)
Current Consumption:	200 mA (Mono Band Receive)
(@7.4 VDC, approx.)	240 mA (Dual Band Receive) 85 mA (Mono Band Receive, Standby, Saver Off) 120 mA (Dual Band Receive, Standby, Saver Off) 35 mA (Mono Band Receive, Standby, Saver On “Save Ratio 1:5”) 42 mA (Dual Band Receive, Standby, Saver On “Save Ratio 1:5”) 2 mA (Auto Power Off) 1.7A (144 MHz, 5W TX) 1.9 A (430 MHz, 5W TX)
Operating Temperature:	−20 °C to +60 °C (−4 °F to +140 °F)
Case Size (W x H x D):	60 x 95 x 28 mm (2.4” x 3.7” x 1.1”) w/o knob & antenna
Weight (Approx.):	250 g (8.8 oz) with FNB-101LI & antenna

Specifications

TRANSMITTER

RF Power Output: 1.0 W (@4.5 V: AA x 3)
5.0 W (@7.4 V or EXT DC)
L3: 2.5 W, L2: 1 W, L1: 0.05 W (@7.4 V)

Modulation Type: F2E, F3E: Variable Reactance

Maximum Deviation: ±5 kHz (F2E/F3E)

Spurious Emission: At least 60 dB below (@ TX power HI/L3/L2)
At least 50 dB below (@ TX power L1)

Microphone Impedance: 2k Ohms

RECEIVER

Circuit Type: Double-Conversion Superheterodyne

IF: 1st: 47.25 MHz (A (Main) Band),
46.35 MHz (B (Sub) Band),
2nd: 450 kHz

Sensitivity: 1.5 µV (TYP) for 10 dB SN (108-137 MHz @AM)
0.2 µV for 12 dB SINAD (137-140 MHz @NFM)
0.16 µV for 12 dB SINAD (140-150 MHz @NFM)
0.2 µV for 12 dB SINAD (150-174 MHz @NFM)
1.0 µV for 12 dB SINAD (174-222 MHz @NFM)
0.5 µV for 12 dB SINAD (300-350 MHz @NFM)
0.2 µV for 12 dB SINAD (350-400 MHz @NFM)
0.18 µV for 12 dB SINAD (400-470 MHz @NFM)
1.5 µV for 12 dB SINAD (470-540 MHz @NFM)
3.0 µV (TYP) for 12 dB SINAD (540-800 MHz @NFM)
1.5 µV (TYP) for 12 dB SINAD (800-999.90 MHz @NFM)
(Cellular Blocked)

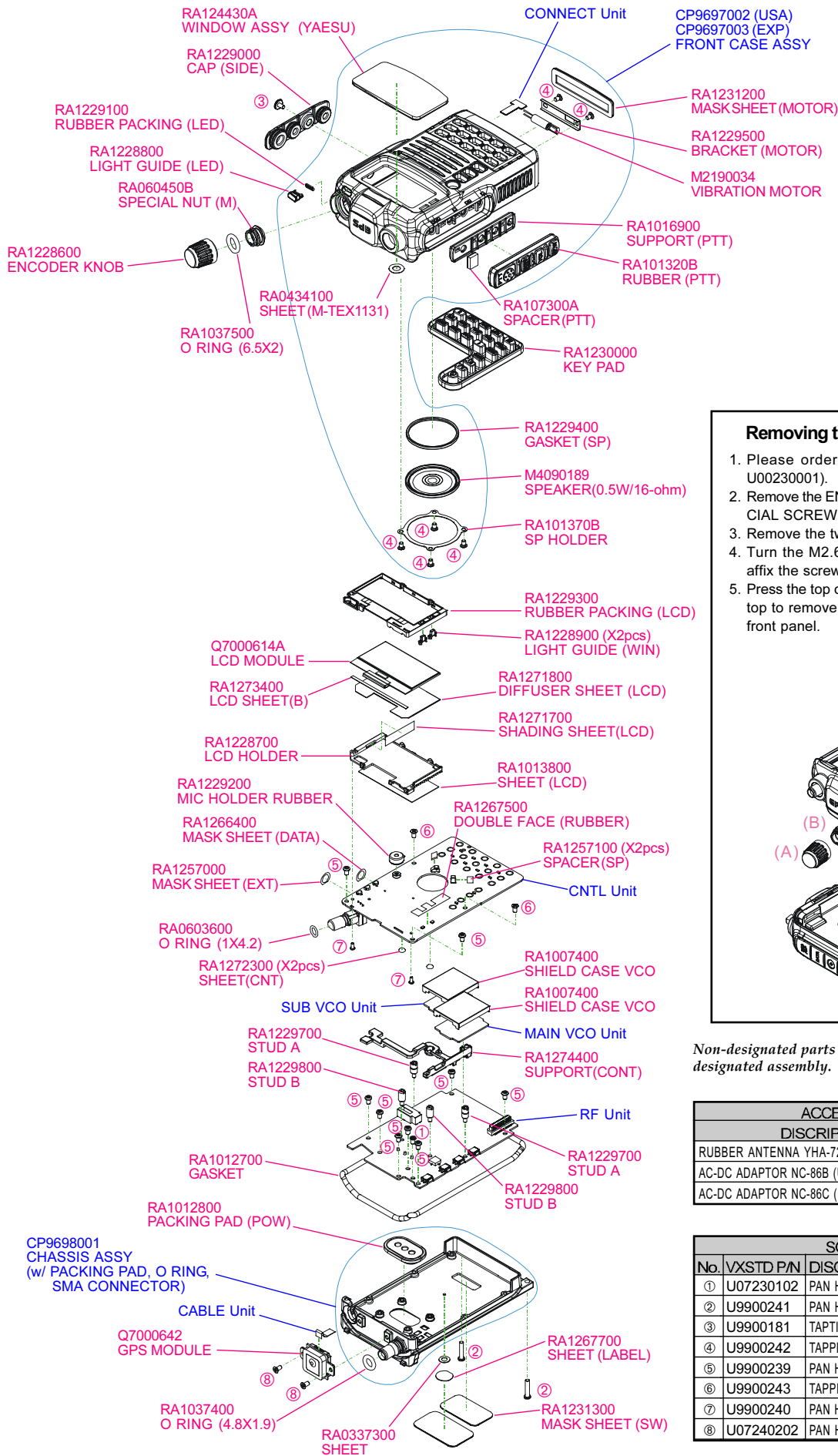
Selectivity: 12 kHz/35 kHz (-6dB/-60dB: NFM, AM)

AF Output: 200 mW @ 8 Ohms for 10 % THD (@ 7.4 V DC)
400 mW @ 8 Ohms for 10 % THD (@ 13.8 V DC)

Specifications are subject to change without notice, and are guaranteed within the 144/430 MHz amateur bands only.

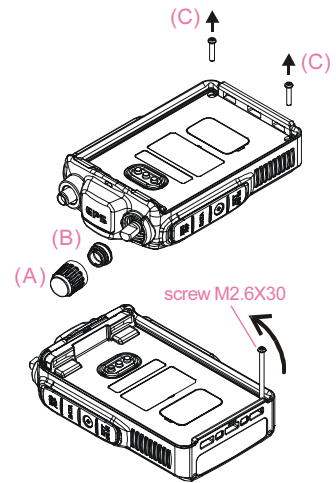
Cellular Blocked per FCC rule Part 15.121, may not receive 900 MHz Amateur band.

Exploded View & Miscellaneous Parts



Removing the Rear Case Assy

1. Please order the screw M2.6X30 (P/N; U00230001).
2. Remove the ENCODER KNOB (A) and SPECIAL SCREW (B).
3. Remove the two screws (C).
4. Turn the M2.6x30 screw several times to affix the screw to the bottom right corner.
5. Press the top of the screw toward a panel top to remove the rear case Assy from the front panel.

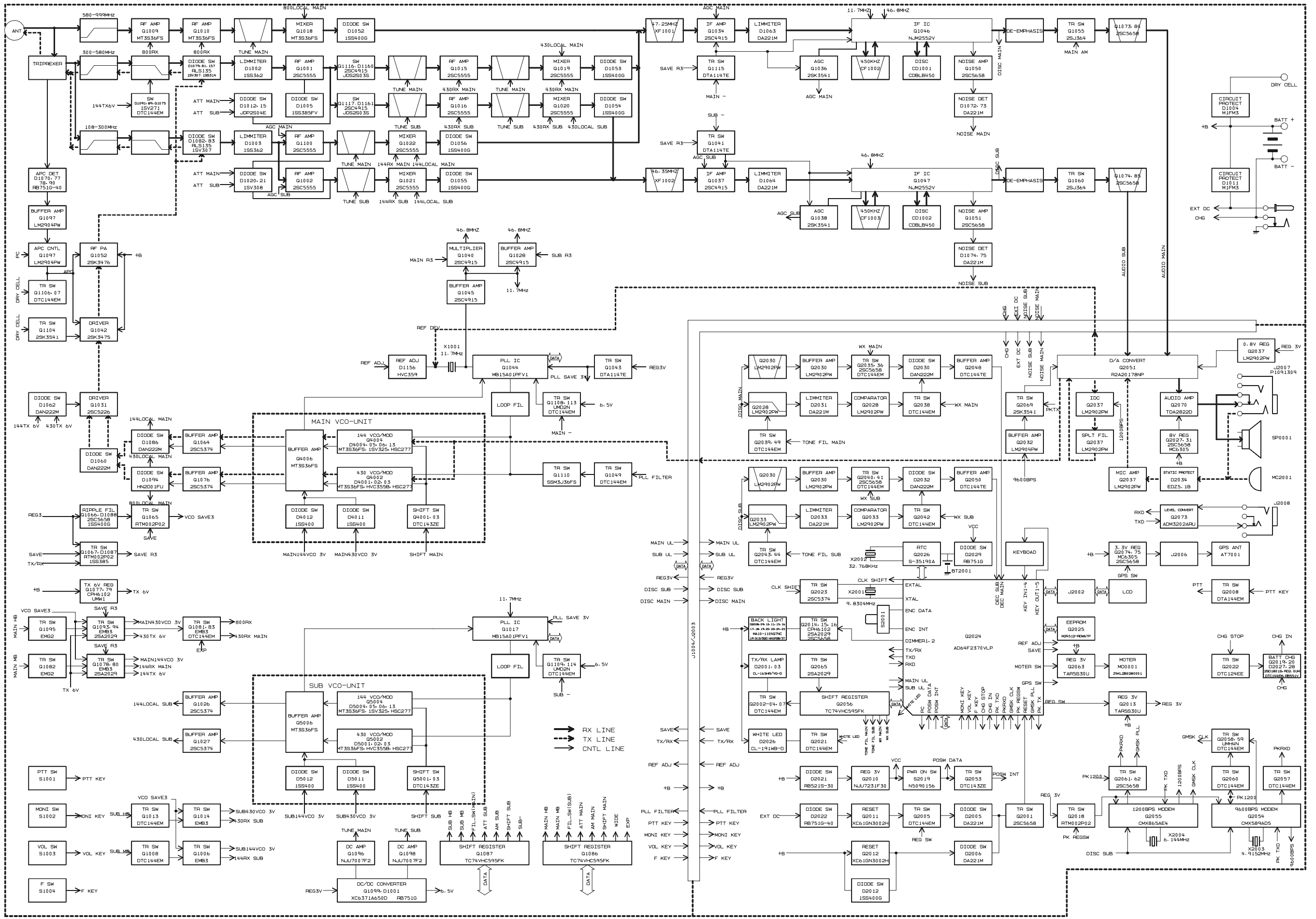


Non-designated parts are available only as part of a designated assembly.

ACCESSORIES LIST		
DISCRIPTION	VXSTD P/N	
RUBBER ANTENNA YHA-72	Q3000236	
AC-DC ADAPTOR NC-86B (USA)	Q9500149	
AC-DC ADAPTOR NC-86C (EXP)	Q9500150	

SCREW LIST			
No.	VXSTD P/N	DISCRIPTION	QTY.
①	U07230102	PAN HEAD SCREW M2X3NI #1	1
②	U9900241	PAN HEAD TAPTITE-B 2X10SUS #3	2
③	U9900181	TAPTITE SCREW 2X3.5(CAP)	1
④	U9900242	TAPPING SCREW 2X2.5NI	6
⑤	U9900239	PAN HEAD TAPTITE-B 2X3NI #3	9
⑥	U9900243	TAPPING SCREW M2X3NI	2
⑦	U9900240	PAN HEAD TAPTITE-B 1.4X3NI #3	2
⑧	U07240202	PAN HEAD SCREW M2X4NI#2	2

Block Diagram



Block Diagram

Note

Introduction and Precautions

The **VX-8GR** has been carefully aligned at the factory for the specified performance across the specified amateur bands. Realignment should therefore not be necessary except in the event of a component failure. All component replacement and service should be performed only by an authorized VERTEX STANDARD representative, or the warranty policy may be voided.

The following procedures cover the sometimes critical and tedious adjustments that are not normally required once the transceiver has left the factory. However, if damage occurs and some parts are replaced, realignment may be required. If a sudden problem occurs during normal operation, it is likely due to component failure; realignment should not be done until after the faulty component has been replaced.

We recommend that servicing be performed only by authorized VERTEX STANDARD service technicians, who are experienced with the circuitry and fully equipped for repair and alignment. Therefore, if a fault is suspected, contact the dealer from whom the transceiver was purchased for instructions regarding repair. Authorized VERTEX STANDARD service technicians realign all circuits and make complete performance checks to ensure compliance with factory specifications after replacing any faulty components.

Those who do undertake any of the following alignments are cautioned to proceed at their own risk. Problems caused by unauthorized attempts at realignment are not covered by the warranty policy. Also, VERTEX STANDARD must reserve the right to change circuits and alignment procedures in the interest of improved performance, without notifying owners.

Under no circumstances should any alignment be attempted unless the normal function and operation of the transceiver are clearly understood, the cause of the malfunction has been clearly pinpointed and any faulty components replaced, and the need for realignment determined to be absolutely necessary.

Required Test Equipment

- RF Signal Generator with calibrated output level at 500 MHz
- Deviation Meter (linear detector)
- In-line Wattmeter with 5% accuracy at 500 MHz
- 50-ohm, 10-W RF Dummy Load
- 8-ohm AF Dummy Load
- Regulated DC Power Supply adjustable from 8 to 16 VDC, 3A
- Frequency Counter: 0.2-ppm accuracy at 500 MHz
- AF Signal Generator
- AC Voltmeter
- DC Voltmeter: high impedance
- UHF Sampling Coupler
- SINAD Meter

Alignment Preparation & Precautions

A 10-W RF dummy load and in-line wattmeter must be connected to the main antenna jack in all procedures that call for transmission, alignment is not possible with an antenna. After completing one step, read the next step to see if the same test equipment is required. If not, remove the test equipment (except dummy load and wattmeter, if connected) before proceeding.

Correct alignment requires that the ambient temperature be the same as that of the transceiver and test equipment, and that this temperature be held constant between 68~86°F (20~30°C). When the transceiver is brought into the shop from hot or cold air, it should be allowed some time to come to room temperature before alignment. Whenever possible, alignments should be made with oscillator shields and circuit boards firmly affixed in place. Also, the test equipment must be thoroughly warmed up before beginning.

Note: Signal levels in dB referred to in the alignment procedure are based on 0 dB μ =0.5 μ V (closed circuit).

Alignment

Internal System Alignment Routine

This uses a programmed routine in the transceiver which simplifies many previously complex discrete component settings and adjustments with digitally-controlled settings via front panel buttons and LCD indications.

1. To begin, set the transceiver to the VFO mode on the "A-Band" in the "Mono" band mode.
2. Program a password for the Alignment (AH041M) according to the following procedure:
 - 1) Press and hold the [MENU] key for one second to enter the Set mode.
 - 2) Rotate the **DIAL** knob to select Set Mode Item 16: CW ID.
 - 3) Press the [MENU] key briefly to enable adjustment of this Set Mode Item.
 - 4) Rotate the **DIAL** knob to select "ON".
 - 5) Press the [MODE] key, then press and hold in the [HM/RV] key for two seconds to clear any previous entry.
 - 6) Program the password "AH041M" using the **DIAL** knob (select the character), and [BAND]/[MODE] key (move the cursor).
 - 7) When you have completed the password, press the [MENU] key briefly, then press the **PTT** switch to exit to normal operation.

Remember to delete the password "AH041M" from the Set Mode Item 16: CW ID when the alignment adjustments are finished by pressing and holding in the [HM/RV] key for two seconds (as in step 5 above).

3. Press the [PWR] switch for two seconds to turn the transceiver "off".
4. Press and hold in the [HM/RV] key while powering the transceiver "on" again. The transceiver will enter the adjustment mode, and the display will show the first alignment setting. Thereafter, the frequencies used during alignment will automatically be set without action by the technician.

In the alignment process, each adjustment is selected by rotating the **DIAL** knob. The alignment is performed by: pressing the [VM] key; injecting a signal of the required frequency and level; making the adjustment; and then pressing the [VM] key again, to store the adjustment.

To exit the alignment routine, press the [HM/RV] key. After performing the system alignment in its entirety, individual settings can be returned to and adjusted individually, should the need arise.

As each transceiver is individually optimized at the factory, the precise settings for the transceiver on your bench may be slightly different.

PLL Reference Frequency Adjustment (PLL REF)

- Connect the test equipment as shown in Figure 1: TX Alignment Setup.
- Rotate the **DIAL** knob to select the Alignment Menu "PLL REF".
- Press the [VM] button (the "☞" icon will appear on the display).
- Press the **PTT** switch to transmit and rotate the **DIAL** knob so that the frequency counter setting is 440.000 MHz (± 100 Hz).
- Release the **PTT** switch, then press the [VM] button (the "☞" icon will disappear from the display).

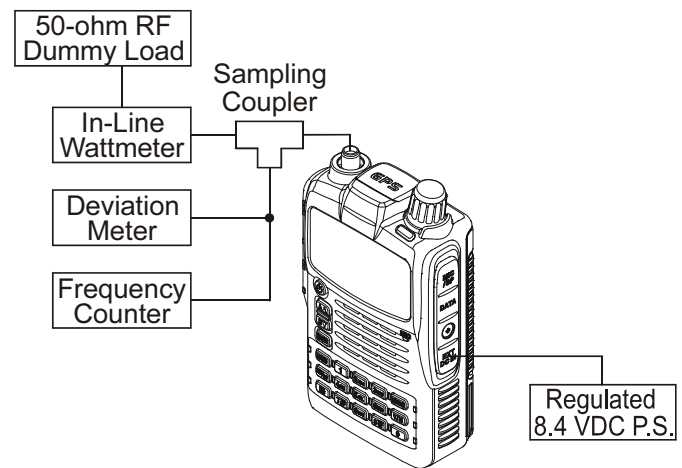


Figure 1: TX Alignment Setup

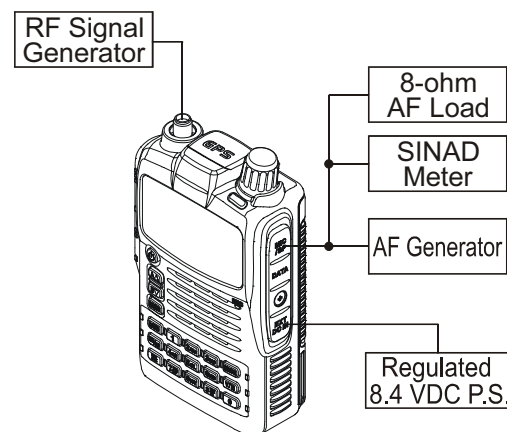


Figure 2: RX Alignment Setup

A-Band 430 MHz Band Adjustment

Receiver Sensitivity Adjustment (TUNE DC)

- Connect the test equipment as shown in Figure 2: RX Alignment Setup.
- Rotate the **DIAL** knob to select the Alignment Menu "TUNE DC".
- Set the RF Signal Generator output to 435.100 MHz, at a level of -10 dB μ , \pm 3.5 kHz deviation with a 1 kHz audio tone.
- Press the **[V/M]** button (the "👁" icon will appear on the display).
- Rotate the **DIAL** knob for maximum deflection on the SINAD meter.
- Press the **[V/M]** button (the "👁" icon will disappear on the display).

Squelch Hysteresis Confirmation (HIS SQL)

- Rotate the **DIAL** knob to select the Alignment Menu "HIS SQL".
- Confirm that the alignment value is "0".

Squelch Threshold Adjustment (THLD SQL)

- Connect the test equipment as shown in Figure 2: RX Alignment Setup.
- Rotate the **DIAL** knob to select the Alignment Menu "THLD SQL".
- Set the RF Signal Generator output to 435.100 MHz, at a level of -12 dB μ , \pm 3.5 kHz deviation with a 1 kHz audio tone.
- Press the **[V/M]** button (the "👁" icon will appear on the display).
- Press the **[F/W]** key two times to store the Squelch Threshold level
- Press the **[V/M]** button (the "👁" icon will disappear on the display).

Tight Squelch Adjustment (TIGH SQL)

- Connect the test equipment as shown in Figure 2: RX Alignment Setup.
- Rotate the **DIAL** knob to select the Alignment Menu "TIGH SQL".
- Set the RF Signal Generator output to 435.100 MHz, at a level of -4 dB μ , \pm 3.5 kHz deviation with a 1 kHz audio tone.
- Press the **[V/M]** button (the "👁" icon will appear on the display).
- Press the **[F/W]** key two times to store the Squelch Tight level.
- Press the **[V/M]** button (the "👁" icon will disappear on the display).

FM S-Meter S-1 Adjustment (S1 LEVEL)

- Connect the test equipment as shown in Figure 2: RX Alignment Setup.
- Rotate the **DIAL** knob to select the Alignment Menu "S1 LEVEL" with "NFM" icon.
- Set the RF Signal Generator output to 435.100 MHz, at a level of -7 dB μ , \pm 3.5 kHz deviation with a 1 kHz audio tone.
- Press the **[V/M]** button (the "👁" icon will appear on the display).
- Press the **[F/W]** key two times to store the FM SMeter S-1 level.
- Press the **[V/M]** button (the "👁" icon will disappear on the display).

FM S-Meter Full-Scale Adjustment (S9 LEVEL)

- Connect the test equipment as shown in Figure 2: RX Alignment Setup.
- Rotate the **DIAL** knob to select the Alignment Menu "S9 LEVEL" with "NFM" icon.
- Set the RF Signal Generator output to 435.100 MHz, at a level of +20 dB μ , \pm 3.5 kHz deviation with a 1 kHz audio tone.
- Press the **[V/M]** button (the "👁" icon will appear on the display).
- Press the **[F/W]** key two times to store the FM SMeter Full Scale level.
- Press the **[V/M]** button (the "👁" icon will disappear on the display).

Alignment

TX Power (HI) Adjustment (HI POWER)

- Connect the test equipment as shown in Figure 1: TX Alignment Setup.
- Rotate the **DIAL** knob to select the Alignment Menu "HI POWER".
- Press the **[V/M]** button (the "📶" icon will appear on the display).
- Press the **PTT** switch to transmit and rotate the DIAL knob so that the Power Meter reading is 4.9 W (± 0.1 W).
- Release the **PTT** switch, and then press the **[V/M]** button (the "📶" icon will disappear on the display).

TX Power (L3) Adjustment (L3 POWER)

- Connect the test equipment as shown in Figure 1: TX Alignment Setup.
- Rotate the **DIAL** knob to select the Alignment Menu "L3 POWER".
- Press the **[V/M]** button (the "📶" icon will appear on the display).
- Press the **PTT** switch to transmit and rotate the DIAL knob so that the Power Meter setting is 2.5 W (± 0.1 W).
- Release the PTT switch, and then press the **[V/M]** button (the "📶" icon will disappear on the display).

TX Power (L2) Adjustment (L2 POWER)

- Connect the test equipment as shown in Figure 1: TX Alignment Setup.
- Rotate the **DIAL** knob to select the Alignment Menu "L2 POWER".
- Press the **[V/M]** button (the "📶" icon will appear on the display).
- Press the **PTT** switch to transmit and rotate the DIAL knob so that the Power Meter setting is 1.0 W (± 0.1 W).
- Release the **PTT** switch, and then press the **[V/M]** button (the "📶" icon will disappear on the display).

TX Power (L1) Adjustment (L1 POWER)

- Connect the test equipment as shown in Figure 1: TX Alignment Setup.
- Rotate the **DIAL** knob to select the Alignment Menu "L1 POWER".
- Press the **[V/M]** button (the "📶" icon will appear on the display).
- Press the **PTT** switch to transmit and rotate the DIAL knob so that the Power Meter setting is 50 mW (+30 mW/ -0 W).
- Release the **PTT** switch, and then press the **[V/M]** button (the "📶" icon will disappear on the display).

TX Deviation Adjustment (MAX DEV)

- Connect the test equipment as shown in Figure 1: TX Alignment Setup.
- Rotate the **DIAL** knob to select the Alignment Menu "MAX DEV".
- Set the AF Signal Generator output to 50 mVrms with a 1 kHz audio tone.
- Press the **[V/M]** button (the "📶" icon will appear on the display).
- Press the **PTT** switch to transmit and rotate the DIAL knob so that the Deviation Meter setting is 4.2 kHz \pm 0.05 kHz (USA version) or 4.5 kHz \pm 0.05 kHz (EXP version).
- Release the **PTT** switch, and then press the **[V/M]** button (the "📶" icon will disappear on the display).

CTCSS TX Deviation Adjustment (100.0Hz)

- Connect the test equipment as shown in Figure 1: TX Alignment Setup.
- Rotate the **DIAL** knob to select the Alignment Menu "100.0Hz".
- Press the **[V/M]** button (the "📶" icon will appear on the display).
- Press the **PTT** switch to transmit without the microphone input and rotate the DIAL knob so that the Deviation Meter setting is 0.65 kHz (± 0.05 kHz).
- Release the **PTT** switch, and then press the **[V/M]** button (the "📶" icon will disappear on the display).

DCS TX Deviation Adjustment (DCS 023)

- Connect the test equipment as shown in Figure 1: TX Alignment Setup.
- Rotate the **DIAL** knob to select the Alignment Menu "**DCS 023**".
- Press the [**V/M**] button (the "📡" icon will appear on the display).
- Press the **PTT** switch to transmit without the microphone input and rotate the DIAL knob so that the Deviation Meter setting is 0.65 kHz (± 0.05 kHz).
- Release the **PTT** switch, and then press the [**V/M**] button (the "📡" icon will disappear on the display).

Alignment

A-Band 144 MHz Band Adjustment

Press the [BAND] key to select the 144 MHz Amateur band.

Receiver Sensitivity Adjustment (TUNE DC)

- Connect the test equipment as shown in Figure 2: RX Alignment Setup.
- Rotate the **DIAL** knob to select the Alignment Menu "TUNE DC".
- Set the RF Signal Generator output to 145.100 MHz, at a level of -10 dB μ , \pm 3.5 kHz deviation with a 1 kHz audio tone.
- Press the [V/M] button (the "☞" icon will appear on the display).
- Rotate the **DIAL** knob for maximum deflection on the SINAD meter.
- Press the [V/M] button (the "☞" icon will disappear on the display).

Squelch Hysteresis Confirmation (HIS SQL)

- Rotate the **DIAL** knob to select the Alignment Menu "HIS SQL".
- Confirm that the alignment value is "0".

Squelch Threshold Adjustment (THLD SQL)

- Connect the test equipment as shown in Figure 2: RX Alignment Setup.
- Rotate the **DIAL** knob to select the Alignment Menu "THLD SQL".
- Set the RF Signal Generator output to 145.100 MHz, at a level of -12 dB μ , \pm 3.5 kHz deviation with a 1 kHz audio tone.
- Press the [V/M] button (the "☞" icon will appear on the display).
- Press the [F/W] key two times to store the Squelch Threshold level.
- Press the [V/M] button (the "☞" icon will disappear on the display).

Tight Squelch Adjustment (TIGH SQL)

- Connect the test equipment as shown in Figure 2: RX Alignment Setup.
- Rotate the **DIAL** knob to select the Alignment Menu "TIGH SQL".
- Set the RF Signal Generator output to 145.100 MHz, at a level of +4 dB μ , \pm 3.5 kHz deviation with a 1 kHz audio tone.
- Press the [V/M] button (the "☞" icon will appear on the display).
- Press the [F/W] key two times to store the Squelch Tight level.
- Press the [V/M] button (the "☞" icon will disappear on the display).

FM S-Meter S-1 Adjustment (S1 LEVEL)

- Connect the test equipment as shown in Figure 2: RX Alignment Setup.
- Rotate the **DIAL** knob to select the Alignment Menu "S1 LEVEL" with "NFM" icon.
- Set the RF Signal Generator output to 145.100 MHz, at a level of -7 dB μ , \pm 3.5 kHz deviation with a 1 kHz audio tone.
- Press the [V/M] button (the "☞" icon will appear on the display).
- Press the [F/W] key two times to store the FM S-Meter S-1 level.
- Press the [V/M] button (the "☞" icon will disappear on the display).

FM S-Meter Full-Scale Adjustment (S9 LEVEL)

- Connect the test equipment as shown in Figure 2: RX Alignment Setup.
- Rotate the **DIAL** knob to select the Alignment Menu "S9 LEVEL" with "NFM" icon.
- Set the RF Signal Generator output to 145.100 MHz, at a level of +20 dB μ , \pm 3.5 kHz deviation with a 1 kHz audio tone.
- Press the [V/M] button (the "☞" icon will appear on the display).
- Press the [F/W] key two times to store the FM S-Meter Full Scale level.
- Press the [V/M] button (the "☞" icon will disappear on the display).

Wide FM S-Meter S-1 Adjustment (S1 LEVEL)

- Connect the test equipment as shown in Figure 2: RX Alignment Setup.
- Rotate the **DIAL** knob to select the Alignment Menu "S1 LEVEL" with "WFM" icon.
- Set the RF Signal Generator output to 145.100 MHz, at a level of 0 dB μ , \pm 20 kHz deviation with a 1 kHz audio tone.
- Press the [V/M] button (the "📡" icon will appear on the display).
- Press the [F/W] key two times to store the Wide FM S-Meter S-1 level.
- Press the [V/M] button (the "📡" icon will disappear on the display).

Wide FM S-Meter Full-Scale Adjustment (S9 LEVEL)

- Connect the test equipment as shown in Figure 2: RX Alignment Setup.
- Rotate the **DIAL** knob to select the Alignment Menu "S9 LEVEL" with "WFM" icon.
- Set the RF Signal Generator output to 145.100 MHz, at a level of +20 dB μ , \pm 20 kHz deviation with a 1 kHz audio tone.
- Press the [V/M] button (the "📡" icon will appear on the display).
- Press the [F/W] key two times to store the Wide FM S-Meter Full Scale level.
- Press the [V/M] button (the "📡" icon will disappear on the display).

TX Power (HI) Adjustment (HI POWER)

- Connect the test equipment as shown in Figure 1: TX Alignment Setup.
- Rotate the **DIAL** knob to select the Alignment Menu "HI POWER".
- Press the [V/M] button (the "📡" icon will appear on the display).
- Press the PTT switch to transmit and rotate the DIAL knob so that the Power Meter setting is 5.0 W (\pm 0.1 W).
- Release the PTT switch, then press the [V/M] button (the "📡" icon will disappear on the display).

TX Power (L3) Adjustment (L3 POWER)

- Connect the test equipment as shown in Figure 1: TX Alignment Setup.
- Rotate the **DIAL** knob to select the Alignment Menu "L3 POWER".
- Press the [V/M] button (the "📡" icon will appear on the display).
- Press the PTT switch to transmit and rotate the DIAL knob so that the Power Meter setting is 2.5 W (\pm 0.1 W).
- Release the PTT switch, then press the [V/M] button (the "📡" icon will disappear on the display).

TX Power (L2) Adjustment (L2 POWER)

- Connect the test equipment as shown in Figure 1: TX Alignment Setup.
- Rotate the **DIAL** knob to select the Alignment Menu "L2 POWER".
- Press the [V/M] button (the "📡" icon will appear on the display).
- Press the PTT switch to transmit and rotate the DIAL knob so that the Power Meter setting is 1.0 W (\pm 0.1 W).
- Release the PTT switch, then press the [V/M] button (the "📡" icon will disappear on the display).

TX Power (L1) Adjustment (L1 POWER)

- Connect the test equipment as shown in Figure 1: TX Alignment Setup.
- Rotate the **DIAL** knob to select the Alignment Menu "L1 POWER".
Press the [V/M] button (the "📡" icon will appear on the display).
- Press the PTT switch to transmit and rotate the **DIAL** knob so that the Power Meter setting is 50 mW (+30 mW/ -20 mW) (VX-8E Type: 0.2W \pm 0.05W).
- Release the PTT switch, then press the [V/M] button (the "📡" icon will disappear on the display).

Alignment

TX Deviation Adjustment (MAX DEV)

- Connect the test equipment as shown in Figure 1: TX Alignment Setup.
- Rotate the DIAL knob to select the Alignment Menu "MAX DEV".
- Set the AF Signal Generator output to 50 mVrms with a 1 kHz audio tone.
- Press the [V/M] button (the "🔊" icon will appear on the display).
- Press the PTT switch to transmit and rotate the DIAL knob so that the Deviation Meter setting is 4.2 kHz \pm 0.2 kHz (USA version) or 4.5 kHz \pm 0.2 kHz (EXP/EU versions).
- Release the PTT switch, and then press the [V/M] button (the "🔊" icon will disappear on the display).

CTCSS TX Deviation Adjustment (100.0Hz)

- Connect the test equipment as shown in Figure 1: TX Alignment Setup.
- Rotate the DIAL knob to select the Alignment Menu "100.0Hz".
- Press the [V/M] button (the "🔊" icon will appear on the display).
- Press the PTT switch to transmit without the microphone input and rotate the DIAL knob so that the Deviation Meter setting is 0.65 kHz (\pm 0.05 kHz).
- Release the PTT switch, and then press the [V/M] button (the "🔊" icon will disappear on the display).

DCS TX Deviation Adjustment (DCS 023)

- Connect the test equipment as shown in Figure 1: TX Alignment Setup.
- Rotate the **DIAL** knob to select the Alignment Menu "DCS 023".
- Press the [V/M] button (the "🔊" icon will appear on the display).
- Press the PTT switch to transmit without the microphone input and rotate the **DIAL** knob so that the Deviation Meter setting is 0.65 kHz (\pm 0.05 kHz).
- Release the PTT switch, then press the [V/M] button (the "🔊" icon will disappear on the display).

B-Band 430 MHz Band Adjustment

Press and hold in the [B] key for two seconds to change the operating band to the "B-Band".

Note: When the transceiver recalls Alignment Menu "PLL REF", the [B] key operation is ignored. In this case, rotate the DIAL knob to select an Alignment Menu other than "PLL REF".

Receiver Sensitivity Adjustment (TUNE DC)

- Connect the test equipment as shown in Figure 2: RX Alignment Setup.
- Rotate the **DIAL** knob to select the Alignment Menu "TUNE DC".
- Set the RF Signal Generator output to 435.100 MHz, at a level of -10 dB μ , \pm 3.5 kHz deviation with a 1 kHz audio tone.
- Press the [V/M] button (the "🔊" icon will appear on the display).
- Rotate the **DIAL** knob for maximum deflection on the SINAD meter.
- Press the [V/M] button (the "🔊" icon will disappear on the display).

Squelch Hysteresis Confirmation (HIS SQL)

- Rotate the **DIAL** knob to select the Alignment Menu "HIS SQL".
- Confirm that the alignment value is "0".

Squelch Threshold Adjustment (THLD SQL)

- Connect the test equipment as shown in Figure 2: RX Alignment Setup.
- Rotate the **DIAL** knob to select the Alignment Menu "THLD SQL".
- Set the RF Signal Generator output to 435.100 MHz, at a level of -11 dB μ , \pm 3.5 kHz deviation with a 1 kHz audio tone.
- Press the [V/M] button (the "🔊" icon will appear on the display).
- Press the [F/W] key two times to store the Squelch Threshold level.
- Press the [V/M] button (the "🔊" icon will disappear on the display).

Tight Squelch Adjustment (TIGH SQL)

- Connect the test equipment as shown in Figure 2: RX Alignment Setup.
- Rotate the **DIAL** knob to select the Alignment Menu "**TIGH SQL**".
- Set the RF Signal Generator output to 435.100 MHz, at a level of -3 dB μ , \pm 3.5 kHz deviation with a 1 kHz audio tone.
- Press the [**V/M**] button (the "🔊" icon will appear on the display).
- Press the [**F/W**] key two times to store the Squelch Tight level.
- Press the [**V/M**] button (the "🔊" icon will disappear on the display).

FM S-Meter S-1 Adjustment (S1 LEVEL)

- Connect the test equipment as shown in Figure 2: RX Alignment Setup.
- Rotate the **DIAL** knob to select the Alignment Menu "**S1 LEVEL**" with "NFM" icon.
- Set the RF Signal Generator output to 435.100 MHz, at a level of -7 dB μ , \pm 3.5 kHz deviation with a 1 kHz audio tone.
- Press the [**V/M**] button (the "🔊" icon will appear on the display).
- Press the [**F/W**] key two times to store the FM S-Meter S-1 level.
- Press the [**V/M**] button (the "🔊" icon will disappear on the display).

FM S-Meter Full-Scale Adjustment (S9 LEVEL)

- Connect the test equipment as shown in Figure 2: RX Alignment Setup.
- Rotate the **DIAL** knob to select the Alignment Menu "**S9 LEVEL**" with "NFM" icon.
- Set the RF Signal Generator output to 435.100 MHz, at a level of +20 dB μ , \pm 3.5 kHz deviation with a 1 kHz audio tone.
- Press the [**V/M**] button (the "🔊" icon will appear on the display).
- Press the [**F/W**] key two times to store the FM S-Meter Full Scale level.
- Press the [**V/M**] button (the "🔊" icon will disappear on the display).

NOTICE: Do not touch the following Alignment Menus:

"PLL REF"
"HI POWER"
"L3 POWER"
"L2 POWER"
"L1 POWER"
"MAX DEV"
"HI POWER"
"100.0Hz"
"DCS 023"

Alignment

B-Band 144 MHz Band Adjustment

Press the [**BAND**] key to select the 144 MHz Amateur band.

Receiver Sensitivity Adjustment (TUNE DC)

- Connect the test equipment as shown in Figure 2: RX Alignment Setup.
- Rotate the **DIAL** knob to select the Alignment Menu "**TUNE DC**".
- Set the RF Signal Generator output to 145.100 MHz, at a level of -10 dB μ , \pm 3.5 kHz deviation with a 1 kHz audio tone.
- Press the [**V/M**] button (the "🔊" icon will appear on the display).
- Rotate the **DIAL** knob for maximum deflection on the SINAD meter.
- Press the [**V/M**] button (the "🔊" icon will disappear on the display).

Squelch Hysteresis Confirmation (HIS SQL)

- Rotate the **DIAL** knob to select the Alignment Menu "**HIS SQL**".
- Confirm that the alignment value is "0".

Squelch Threshold Adjustment (THLD SQL)

- Connect the test equipment as shown in Figure 2: RX Alignment Setup.
- Rotate the **DIAL** knob to select the Alignment Menu "**THLD SQL**".
- Set the RF Signal Generator output to 145.100 MHz, at a level of -11 dB μ , \pm 3.5 kHz deviation with a 1 kHz audio tone.
- Press the [**V/M**] button (the "🔊" icon will appear on the display).
- Press the [**F/W**] key two times to store the Squelch Threshold level.
- Press the [**V/M**] button (the "🔊" icon will disappear on the display).

Tight Squelch Adjustment (TIGH SQL)

- Connect the test equipment as shown in Figure 2: RX Alignment Setup.
- Rotate the **DIAL** knob to select the Alignment Menu "**TIGH SQL**".
- Set the RF Signal Generator output to 145.100 MHz, at a level of -3 dB μ , \pm 3.5 kHz deviation with a 1 kHz audio tone.
- Press the [**V/M**] button (the "🔊" icon will appear on the display).
- Press the [**F/W**] key two times to store the Squelch Tight level.
- Press the [**V/M**] button (the "🔊" icon will disappear on the display).

FM S-Meter S-1 Adjustment (S1 LEVEL)

- Connect the test equipment as shown in Figure 2: RX Alignment Setup.
- Rotate the **DIAL** knob to select the Alignment Menu "**S1 LEVEL**" with "NFM" icon.
- Set the RF Signal Generator output to 145.100 MHz, at a level of -7 dB μ , \pm 3.5 kHz deviation with a 1 kHz audio tone.
- Press the [**V/M**] button (the "🔊" icon will appear on the display).
- Press the [**F/W**] key two times to store the FM S-Meter S-1 level.
- Press the [**V/M**] button (the "🔊" icon will disappear on the display).

FM S-Meter Full-Scale Adjustment (S9 LEVEL)

- Connect the test equipment as shown in Figure 2: RX Alignment Setup.
- Rotate the **DIAL** knob to select the Alignment Menu "S9 LEVEL" with "NFM" icon.
- Set the RF Signal Generator output to 145.100 MHz, at a level of +20 dB μ , \pm 3.5 kHz deviation with a 1 kHz audio tone.
- Press the [**V/M**] button (the "↔" icon will appear on the display).
- Press the [**F/W**] key two times to store the FM S-Meter Full Scale level.
- Press the [**V/M**] button (the "↔" icon will disappear on the display).

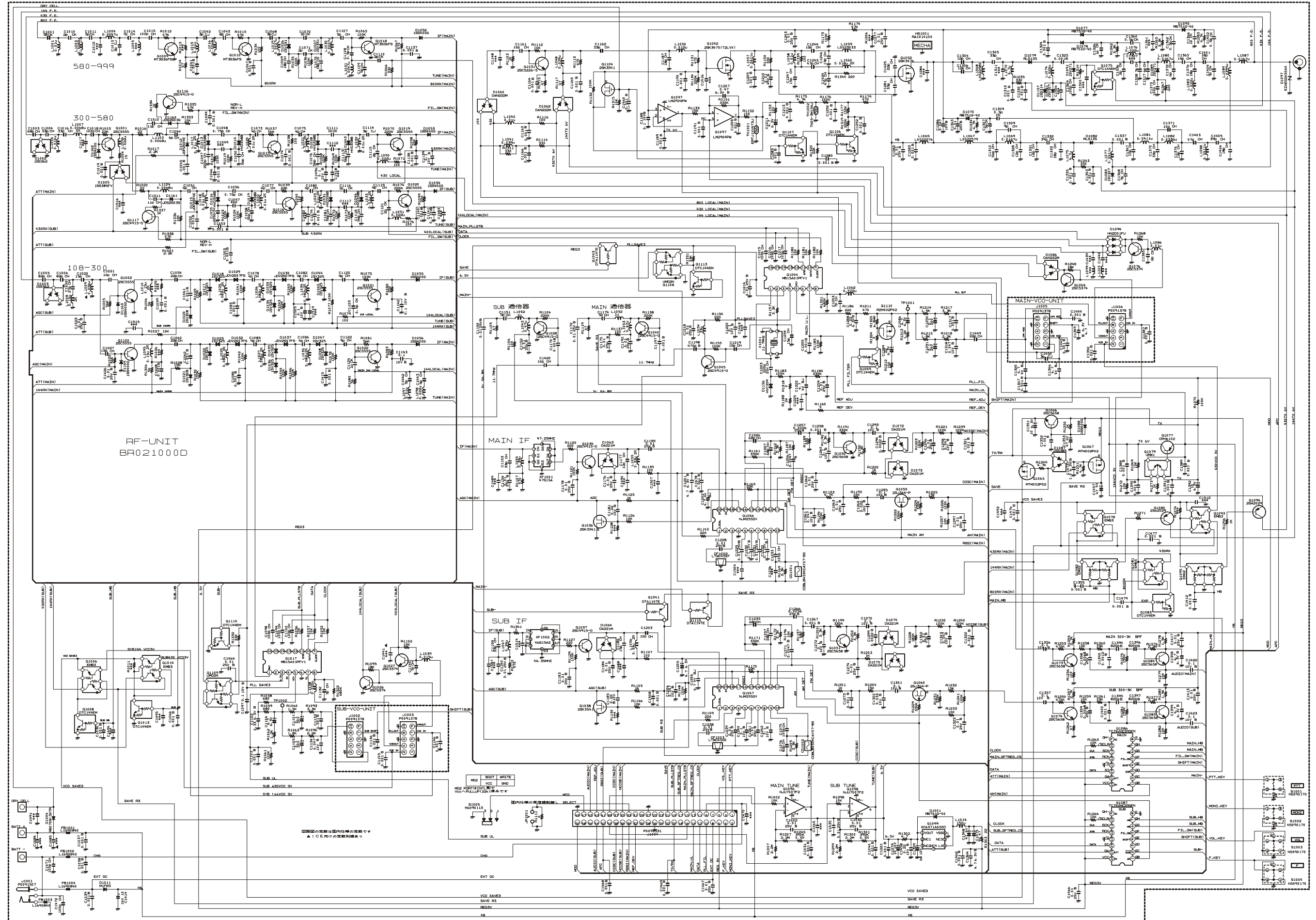
NOTICE: Do not touch the following Alignment Menus:

"PLL REF"
"HI POWER"
"L3 POWER"
"L2 POWER"
"L1 POWER"
"MAX DEV"
"HI POWER"
"100.0Hz"
"DCS 023"

This completes the internal alignment routine for all bands. To save all settings and exit, press the [**HM/RV**] button.

Alignment

Note

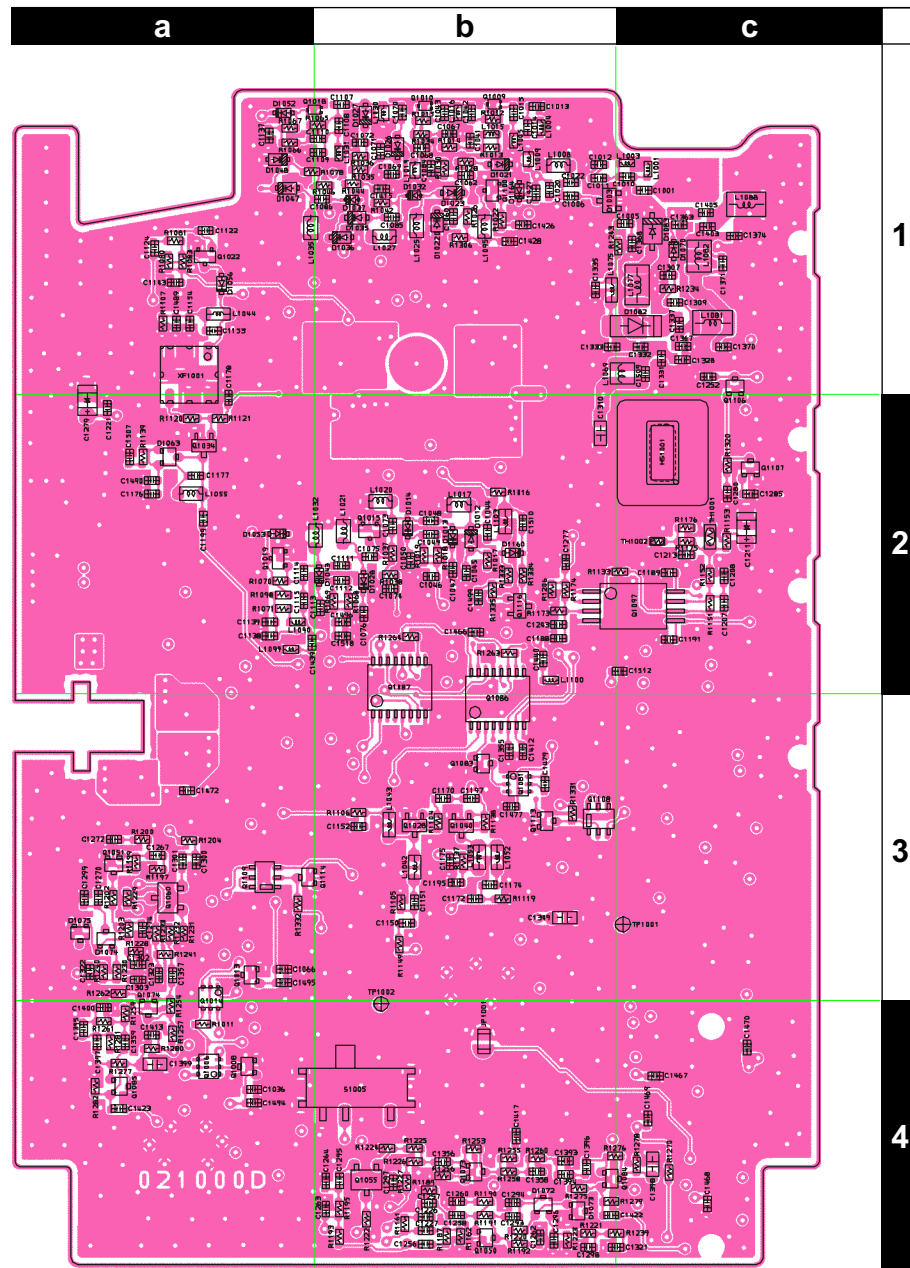


RF Unit

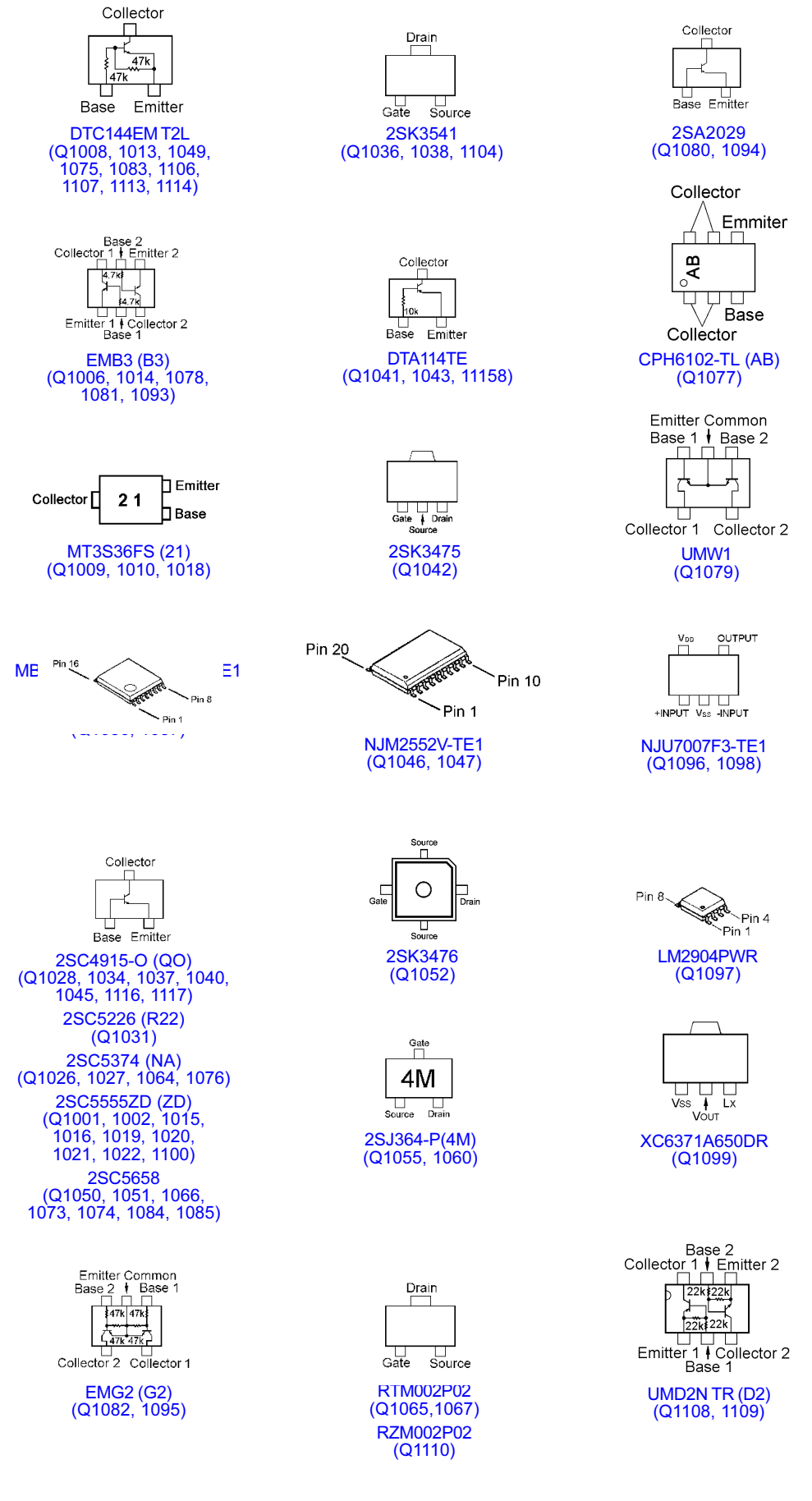
Parts Layout



Side A



Side B



Parts List

REF.	DESCRIPTION	VALUE	V/W	TOL.	MFR'S DESIG	VXSTD P/N	VERS.	LOT.	SIDE	LAY ADR.
PCB with Components (W/ MAIN VCO and SUB VCO)						CP9688002	VERSION A2, DST:USA			
						CP9688003	VERSION A1, DST:EXP			
						CP9688004	VERSION A2, DST:EXP			
						CP9688005	VERSION A3, DST:EXP			
	Printed Circuit Board					FR021000D		1-		
C 1001	CHIP CAP.	2pF	50V	CK	UMK105CK020CV-F	K22178250		1-	B	c1
C 1002	CHIP CAP.	0.01uF	25V	B	GRM155B11E103KA01D	K22148834		1-	A	A3
C 1003	CHIP CAP.	68pF	50V	CH	UMK105CH680JV-F	K22178278		1-	A	A1
C 1004	CHIP CAP.	68pF	50V	CH	UMK105CH680JV-F	K22178278		1-	A	A1
C 1004	CHIP CAP.	33pF	50V	CH	GRM1552C1H330JZ01D	K22178224		3-	A	A1
C 1005	CHIP CAP.	82pF	50V	CH	GRM1552C1H820JD01D	K22178234		1-	B	c1
C 1006	CHIP CAP.	82pF	50V	CH	GRM1552C1H820JD01D	K22178234		1-	B	b1
C 1010	CHIP CAP.	2pF	50V	CK	UMK105CK020CV-F	K22178250		1-	B	c1
C 1011	CHIP CAP.	5pF	50V	CH	UMK105CH050CV-F	K22178253		1-	B	b1
C 1013	CHIP CAP.	3pF	50V	CJ	UMK105CJ030CV-F	K22178251		1-	B	b1
C 1014	CHIP CAP.	7pF	50V	CH	UMK105CH070DV-F	K22178255		1-	B	b1
C 1015	CHIP CAP.	100pF	50V	CH	GRM1552C1H101JD01D	K22178236		1-	B	b1
C 1016	CHIP CAP.	33pF	50V	CH	GRM1552C1H330JZ01D	K22178224		1-	A	B1
C 1018	CHIP CAP.	100pF	50V	CH	GRM1552C1H101JD01D	K22178236		1-	A	B2
C 1019	CHIP CAP.	0.001uF	50V	B	GRM155B11H102KA01D	K22178809		1-	A	A2
C 1020	CHIP CAP.	15pF	50V	CH	GRM1552C1H150JZ01D	K22178216		1-	B	b1
C 1021	CHIP CAP.	10pF	50V	CH	GRM1552C1H100JZ01D	K22178212		1-	A	A1
C 1022	CHIP CAP.	27pF	50V	CH	GRM1552C1H270JZ01D	K22178222		1-	B	b1
C 1023	CHIP CAP.	0.01uF	25V	B	GRM155B11E103KA01D	K22148834		1-	A	A1
C 1031	CHIP CAP.	0.001uF	50V	B	GRM155B11H102KA01D	K22178809		1-	A	A3
C 1032	CHIP CAP.	0.01uF	25V	B	GRM155B11E103KA01D	K22148834		1-	A	A3
C 1036	CHIP CAP.	0.001uF	50V	B	GRM155B11H102KA01D	K22178809		1-	B	a4
C 1037	CHIP CAP.	0.001uF	50V	B	GRM155B11H102KA01D	K22178809		1-	A	B2
C 1038	CHIP CAP.	0.001uF	50V	B	GRM155B11H102KA01D	K22178809		1-	A	B2
C 1039	CHIP CAP.	0.001uF	50V	B	GRM155B11H102KA01D	K22178809		1-	A	C2
C 1040	CHIP CAP.	0.001uF	50V	B	GRM155B11H102KA01D	K22178809		1-	A	A3
C 1041	CHIP CAP.	0.001uF	50V	B	GRM155B11H102KA01D	K22178809		1-	B	b1
C 1042	CHIP CAP.	3pF	50V	CJ	UMK105CJ030CV-F	K22178251		1-	B	b1
C 1043	CHIP CAP.	8pF	50V	CH	GRM1552C1H8R0DZ01D	K22178210		1-	B	b1
C 1044	CHIP CAP.	4pF	50V	CH	UMK105CH040CV-F	K22178252		1-	B	b2
C 1045	CHIP CAP.	0.001uF	50V	B	GRM155B11H102KA01D	K22178809		1-	B	b2
C 1046	CHIP CAP.	0.001uF	50V	B	GRM155B11H102KA01D	K22178809		1-	B	b2
C 1047	CHIP CAP.	220pF	50V	CH	GRM1552C1H221JA01D	K22179713		1-	B	b2
C 1048	CHIP CAP.	0.75pF	50V	CK	GRM1554C1HR75BZ01D	K22178286		1-	B	b2
C 1050	CHIP CAP.	56pF	50V	CH	UMK105CH560JV-F	K22178276		1-	B	b2
C 1051	CHIP CAP.	4pF	50V	CH	UMK105CH040CV-F	K22178252		1-	A	B2
C 1052	CHIP CAP.	0.001uF	50V	B	GRM155B11H102KA01D	K22178809		1-	A	B2
C 1053	CHIP CAP.	0.001uF	50V	B	GRM155B11H102KA01D	K22178809		1-	A	B2
C 1054	CHIP CAP.	22pF	50V	CH	UMK105CH220JV-F	K22178266		1-	A	B1
C 1055	CHIP CAP.	220pF	50V	CH	GRM1552C1H221JA01D	K22179713		1-	A	B2
C 1056	CHIP CAP.	0.75pF	50V	CK	GRM1554C1HR75BZ01D	K22178286		1-	A	B2
C 1058	CHIP CAP.	56pF	50V	CH	UMK105CH560JV-F	K22178276		1-	A	B2
C 1059	CHIP CAP.	0.001uF	50V	B	GRM155B11H102KA01D	K22178809		1-	A	B1
C 1060	CHIP CAP.	22pF	50V	CH	UMK105CH220JV-F	K22178266		1-	B	b1
C 1061	CHIP CAP.	0.001uF	50V	B	GRM155B11H102KA01D	K22178809		1-	A	B1
C 1062	CHIP CAP.	0.001uF	50V	B	GRM155B11H102KA01D	K22178809		1-	B	b1
C 1066	CHIP CAP.	0.001uF	50V	B	GRM155B11H102KA01D	K22178809		1-	B	a3
C 1067	CHIP CAP.	0.001uF	50V	B	GRM155B11H102KA01D	K22178809		1-	B	b1
C 1068	CHIP CAP.	3pF	50V	CJ	UMK105CJ030CV-F	K22178251		1-	B	b1
C 1069	CHIP CAP.	18pF	50V	CH	GRM1552C1H180JZ01D	K22178218		1-	B	b1
C 1070	CHIP CAP.	1pF	50V	CK	UMK105CK010CV-F	K22178248		1-	B	b1
C 1071	CHIP CAP.	2pF	50V	CK	UMK105CK020CV-F	K22178250		1-	B	b1
C 1072	CHIP CAP.	18pF	50V	CH	GRM1552C1H180JZ01D	K22178218		1-	B	b1
C 1073	CHIP CAP.	4pF	50V	CH	UMK105CH040CV-F	K22178252		1-	B	b2
C 1074	CHIP CAP.	0.001uF	50V	B	GRM155B11H102KA01D	K22178809		1-	B	b2

RF Unit

REF.	DESCRIPTION	VALUE	V/W	TOL.	MFR'S DESIG	VXSTD P/N	VERS.	LOT.	SIDE	LAY ADR.
C 1075	CHIP CAP.	4pF	50V	CH	UMK105CH040CV-F	K22178252		1-	B	b2
C 1076	CHIP CAP.	56pF	50V	CH	UMK105CH560JV-F	K22178276		1-	B	b2
C 1077	CHIP CAP.	4pF	50V	CH	UMK105CH040CV-F	K22178252		1-	A	B2
C 1078	CHIP CAP.	8pF	50V	CH	GRM1552C1H8R0DZ01D	K22178210		1-	A	B1
C 1078	CHIP CAP.	4pF	50V	CH	UMK105CH040CV-F	K22178252		3-	A	B1
C 1079	CHIP CAP.	0.001uF	50V	B	GRM155B11H102KA01D	K22178809		1-	A	B2
C 1080	CHIP CAP.	4pF	50V	CH	UMK105CH040CV-F	K22178252		1-	A	B2
C 1081	CHIP CAP.	56pF	50V	CH	UMK105CH560JV-F	K22178276		1-	A	B2
C 1082	CHIP CAP.	8pF	50V	CH	GRM1552C1H8R0DZ01D	K22178210		1-	A	B1
C 1082	CHIP CAP.	4pF	50V	CH	UMK105CH040CV-F	K22178252		3-	A	B1
C 1083	CHIP CAP.	0.001uF	50V	B	GRM155B11H102KA01D	K22178809		1-	A	B1
C 1084	CHIP CAP.	0.001uF	50V	B	GRM155B11H102KA01D	K22178809		1-	B	b1
C 1085	CHIP CAP.	8pF	50V	CH	GRM1552C1H8R0DZ01D	K22178210		1-	B	b1
C 1085	CHIP CAP.	4pF	50V	CH	UMK105CH040CV-F	K22178252		3-	B	b1
C 1086	CHIP CAP.	8pF	50V	CH	GRM1552C1H8R0DZ01D	K22178210		1-	B	b1
C 1086	CHIP CAP.	4pF	50V	CH	UMK105CH040CV-F	K22178252		3-	B	b1
C 1097	CHIP CAP.	0.1uF	10V	B	GRM155B11A104KA01D	K22108802		1-	A	B3
C 1098	CHIP CAP.	100pF	50V	CH	GRM1552C1H101JD01D	K22178236		1-	A	B3
C 1099	CHIP CAP.	100pF	50V	CH	GRM1552C1H101JD01D	K22178236		1-	A	B4
C 1100	CHIP CAP.	100pF	50V	CH	GRM1552C1H101JD01D	K22178236		1-	A	B4
C 1101	CHIP TA.CAP.	0.1uF	20V		SKF-1D104M-RP	K78130049		1-	A	B4
C 1102	CHIP CAP.	0.33uF	6.3V	B	GRM155B10J334KE01D	K22088801		1-	A	B3
C 1103	CHIP CAP.	0.001uF	50V	B	GRM155B11H102KA01D	K22178809		1-	A	B4
C 1104	CHIP TA.CAP.	4.7uF	6.3V		TEESVP0J475M8R	K78080053		1-	A	B4
C 1105	CHIP TA.CAP.	0.1uF	20V		SKF-1D104M-RP	K78130049		1-	A	B4
C 1107	CHIP CAP.	5pF	50V	CH	UMK105CH050CV-F	K22178253		1-	B	b1
C 1108	CHIP CAP.	0.5pF	50V	CK	GRM1554C1HR50BZ01D	K22178285		1-	B	b1
C 1109	CHIP CAP.	5pF	50V	CH	UMK105CH050CV-F	K22178253		1-	B	b1
C 1110	CHIP CAP.	2pF	50V	CK	UMK105CK020CV-F	K22178250		1-	B	b1
C 1111	CHIP CAP.	1pF	50V	CK	UMK105CK010CV-F	K22178248		1-	B	b2
C 1113	CHIP CAP.	56pF	50V	CH	UMK105CH560JV-F	K22178276		1-	B	b2
C 1114	CHIP CAP.	3pF	50V	CJ	UMK105CJ030CV-F	K22178251		1-	B	a2
C 1115	CHIP CAP.	2pF	50V	CK	UMK105CK020CV-F	K22178250		1-	B	a2
C 1116	CHIP CAP.	1pF	50V	CK	UMK105CK010CV-F	K22178248		1-	A	B2
C 1118	CHIP CAP.	56pF	50V	CH	UMK105CH560JV-F	K22178276		1-	A	B2
C 1119	CHIP CAP.	4pF	50V	CH	UMK105CH040CV-F	K22178252		1-	A	B2
C 1120	CHIP CAP.	9pF	50V	CH	UMK105CH090DV-F	K22178257		1-	A	B1
C 1121	CHIP CAP.	2pF	50V	CK	UMK105CK020CV-F	K22178250		1-	A	B2
C 1122	CHIP CAP.	9pF	50V	CH	UMK105CH090DV-F	K22178257		1-	B	a1
C 1123	CHIP CAP.	0.5pF	50V	CK	GRM1554C1HR50BZ01D	K22178285		1-	A	B1
C 1124	CHIP CAP.	1pF	50V	CK	UMK105CK010CV-F	K22178248		1-	B	a1
C 1132	CHIP CAP.	7pF	50V	CH	UMK105CH070DV-F	K22178255		1-	A	B4
C 1133	CHIP CAP.	0.001uF	50V	B	GRM155B11H102KA01D	K22178809		1-	A	B4
C 1134	CHIP CAP.	0.047uF	10V	B	GRM155B11A473KA01D	K22108801		1-	A	B4
C 1136	CHIP CAP.	0.001uF	50V	B	GRM155B11H102KA01D	K22178809		1-	A	B4
C 1137	CHIP CAP.	0.001uF	50V	B	GRM155B11H102KA01D	K22178809		1-	B	a1
C 1138	CHIP CAP.	0.001uF	50V	B	GRM155B11H102KA01D	K22178809		1-	B	a2
C 1139	CHIP CAP.	0.1uF	10V	B	GRM155B11A104KA01D	K22108802		1-	B	a2
C 1140	CHIP CAP.	0.001uF	50V	B	GRM155B11H102KA01D	K22178809		1-	A	B2
C 1141	CHIP CAP.	0.1uF	10V	B	GRM155B11A104KA01D	K22108802		1-	A	B2
C 1142	CHIP CAP.	0.1uF	10V	B	GRM155B11A104KA01D	K22108802		1-	A	B1
C 1143	CHIP CAP.	0.1uF	10V	B	GRM155B11A104KA01D	K22108802		1-	B	a1
C 1144	CHIP CAP.	7pF	50V	CH	UMK105CH070DV-F	K22178255		1-	A	B3
C 1145	CHIP CAP.	0.001uF	50V	B	GRM155B11H102KA01D	K22178809		1-	A	B3
C 1146	CHIP CAP.	0.001uF	50V	B	GRM155B11H102KA01D	K22178809		1-	A	B3
C 1150	CHIP CAP.	0.01uF	25V	B	GRM155B11E103KA01D	K22148834		1-	B	b3
C 1151	CHIP CAP.	5pF	50V	CH	UMK105CH050CV-F	K22178253		1-	B	b3
C 1152	CHIP CAP.	0.01uF	25V	B	GRM155B11E103KA01D	K22148834		1-	B	b3
C 1153	CHIP CAP.	33pF	50V	CH	GRM1552C1H330JZ01D	K22178224		1-	B	a1
C 1154	CHIP CAP.	0.01uF	25V	B	GRM155B11E103KA01D	K22148834		1-	B	a1

REF.	DESCRIPTION	VALUE	V/W	TOL.	MFR'S DESIG	VXSTD P/N	VERS.	LOT.	SIDE	LAY ADR.
C 1159	CHIP CAP.	33pF	50V	CH	GRM1552C1H330JZ01D	K22178224		1-	A	B2
C 1160	CHIP CAP.	0.01uF	25V	B	GRM155B11E103KA01D	K22148834		1-	A	B1
C 1161	CHIP CAP.	10pF	50V	CH	GRM1552C1H100JZ01D	K22178212		1-	A	A2
C 1162	CHIP CAP.	33pF	50V	CH	GRM1552C1H330JZ01D	K22178224		1-	A	A2
C 1163	CHIP CAP.	0.001uF	50V	B	GRM155B11H102KA01D	K22178809		1-	A	B2
C 1164	CHIP CAP.	0.001uF	50V	B	GRM155B11H102KA01D	K22178809		1-	A	A2
C 1165	CHIP CAP.	0.001uF	50V	B	GRM155B11H102KA01D	K22178809		1-	A	A2
C 1166	CHIP CAP.	0.001uF	50V	B	GRM155B11H102KA01D	K22178809		1-	A	B2
C 1170	CHIP CAP.	0.001uF	50V	B	GRM155B11H102KA01D	K22178809		1-	B	b3
C 1172	CHIP CAP.	0.01uF	25V	B	GRM155B11E103KA01D	K22148834		1-	B	b3
C 1174	CHIP CAP.	5pF	50V	CH	UMK105CH050CV-F	K22178253		1-	B	b3
C 1175	CHIP CAP.	0.01uF	25V	B	GRM155B11E103KA01D	K22148834		1-	B	b3
C 1176	CHIP CAP.	0.01uF	25V	B	GRM155B11E103KA01D	K22148834		1-	B	a2
C 1177	CHIP CAP.	12pF	50V	CH	GRM1552C1H120JZ01D	K22178214		1-	B	a2
C 1178	CHIP CAP.	0.01uF	25V	B	GRM155B11E103KA01D	K22148834		1-	B	a2
C 1181	CHIP CAP.	0.22uF	10V	B	GRM155B31A224KE18D	K22108808		1-	A	B4
C 1183	CHIP CAP.	0.01uF	25V	B	GRM155B11E103KA01D	K22148834		1-	A	B2
C 1184	CHIP CAP.	0.01uF	25V	B	GRM155B11E103KA01D	K22148834		1-	A	B2
C 1185	CHIP CAP.	0.22uF	10V	B	GRM155B31A224KE18D	K22108808		1-	A	C4
C 1186	CHIP CAP.	15pF	50V	CH	GRM1552C1H150JZ01D	K22178216		1-	A	B2
C 1187	CHIP CAP.	18pF	50V	CH	GRM1552C1H180JZ01D	K22178218		1-	A	A2
C 1188	CHIP CAP.	0.1uF	10V	B	GRM155B11A104KA01D	K22108802		1-	B	b2
C 1189	CHIP CAP.	0.001uF	50V	B	GRM155B11H102KA01D	K22178809		1-	B	c2
C 1190	CHIP CAP.	0.001uF	50V	B	GRM155B11H102KA01D	K22178809		1-	A	A2
C 1191	CHIP CAP.	0.001uF	50V	B	GRM155B11H102KA01D	K22178809		1-	B	c2
C 1195	CHIP CAP.	0.01uF	25V	B	GRM155B11E103KA01D	K22148834		1-	B	b3
C 1197	CHIP CAP.	0.001uF	50V	B	GRM155B11H102KA01D	K22178809		1-	B	b3
C 1198	CHIP CAP.	470pF	50V	B	UMK105B471KW-F	K22178825		1-	A	B3
C 1199	CHIP CAP.	0.01uF	25V	B	GRM155B11E103KA01D	K22148834		1-	B	a2
C 1201	CHIP CAP.	4.7uF	6.3V	B	JMK107BJ475MA-T	K22084803		1-	A	A4
C 1202	CHIP CAP.	4.7uF	4V	BJ	AMK105BJ475MV-F	K22068801		1-	A	B4
C 1203	CHIP CAP.	10pF	50V	CH	GRM1552C1H100JZ01D	K22178212		1-	A	B2
C 1204	CHIP CAP.	0.047uF	10V	B	GRM155B11A473KA01D	K22108801		1-	A	C3
C 1205	CHIP TA.CAP.	4.7uF	6.3V		TEESVP0J475M8R	K78080053		1-	A	B3
C 1206	CHIP CAP.	4.7uF	4V	BJ	AMK105BJ475MV-F	K22068801		1-	A	C3
C 1207	CHIP CAP.	1uF	6.3V	B	GRM155B30J105KE18D	K22088803		1-	B	c2
C 1207	CHIP CAP.	0.47uF	6.3V	B	GRM155B30J474KE18D	K22088802		3-	B	c2
C 1208	CHIP CAP.	0.001uF	50V	B	GRM155B11H102KA01D	K22178809		1-	B	c2
C 1209	CHIP CAP.	0.001uF	50V	B	GRM155B11H102KA01D	K22178809		1-	A	A2
C 1210	CHIP CAP.	0.01uF	25V	B	GRM155B11E103KA01D	K22148834		1-	A	A2
C 1211	CHIP TA.CAP.	4.7uF	6.3V		TEESVP0J475M8R	K78080053		1-	B	c2
C 1213	CHIP CAP.	0.001uF	50V	B	GRM155B11H102KA01D	K22178809		1-	B	c2
C 1214	CHIP CAP.	0.01uF	25V	B	GRM155B11E103KA01D	K22148834		1-	A	A3
C 1215	CHIP CAP.	100pF	50V	CH	GRM1552C1H101JD01D	K22178236		1-	A	A3
C 1216	CHIP CAP.	100pF	50V	CH	GRM1552C1H101JD01D	K22178236		1-	A	A3
C 1217	CHIP CAP.	100pF	50V	CH	GRM1552C1H101JD01D	K22178236		1-	A	A3
C 1218	CHIP CAP.	0.01uF	25V	B	GRM155B11E103KA01D	K22148834		1-	A	B3
C 1219	CHIP CAP.	10pF	50V	CH	GRM1552C1H100JZ01D	K22178212		1-	A	A3
C 1220	CHIP CAP.	0.1uF	10V	B	GRM155B11A104KA01D	K22108802		1-	A	B3
C 1221	CHIP CAP.	0.001uF	50V	B	GRM155B11H102KA01D	K22178809		1-	B	a2
C 1222	CHIP CAP.	4.7uF	4V	BJ	AMK105BJ475MV-F	K22068801		1-	A	B3
C 1223	CHIP CAP.	220pF	25V	CH	TMK105CH221JV-F	K22148246		1-	A	B3
C 1226	CHIP CAP.	470pF	50V	B	UMK105B471KW-F	K22178825		1-	B	b4
C 1226	CHIP CAP.	68pF	50V	CH	UMK105CH680JV-F	K22178278		3-	B	b4
C 1227	CHIP CAP.	470pF	50V	B	UMK105B471KW-F	K22178825		1-	B	b4
C 1227	CHIP CAP.	68pF	50V	CH	UMK105CH680JV-F	K22178278		3-	B	b4
C 1228	CHIP CAP.	0.01uF	25V	B	GRM155B11E103KA01D	K22148834		1-	A	A4
C 1229	CHIP CAP.	0.01uF	25V	B	GRM155B11E103KA01D	K22148834		1-	A	B4
C 1230	CHIP CAP.	0.1uF	10V	B	GRM155B11A104KA01D	K22108802		1-	A	A4
C 1231	CHIP CAP.	0.01uF	25V	B	GRM155B11E103KA01D	K22148834		1-	A	B4

RF Unit

REF.	DESCRIPTION	VALUE	V/W	TOL.	MFR'S DESIG	VXSTD P/N	VERS.	LOT.	SIDE	LAY ADR.
C 1232	CHIP CAP.	0.1uF	10V	B	GRM155B11A104KA01D	K22108802		1-	A	A4
C 1233	CHIP CAP.	100pF	50V	CH	GRM1552C1H101JD01D	K22178236		1-	A	A4
C 1235	CHIP CAP.	470pF	50V	B	UMK105B471KW-F	K22178825		1-	A	C3
C 1235	CHIP CAP.	68pF	50V	CH	UMK105CH680JV-F	K22178278		3-	A	C3
C 1237	CHIP CAP.	470pF	50V	B	UMK105B471KW-F	K22178825		1-	A	C3
C 1237	CHIP CAP.	68pF	50V	CH	UMK105CH680JV-F	K22178278		3-	A	C3
C 1238	CHIP CAP.	0.01uF	25V	B	GRM155B11E103KA01D	K22148834		1-	A	C3
C 1239	CHIP CAP.	0.01uF	25V	B	GRM155B11E103KA01D	K22148834		1-	A	C3
C 1240	CHIP CAP.	0.1uF	10V	B	GRM155B11A104KA01D	K22108802		1-	A	C3
C 1241	CHIP CAP.	0.01uF	25V	B	GRM155B11E103KA01D	K22148834		1-	A	C3
C 1242	CHIP CAP.	0.1uF	10V	B	GRM155B11A104KA01D	K22108802		1-	A	C3
C 1243	CHIP CAP.	0.01uF	25V	B	GRM155B11E103KA01D	K22148834		1-	B	b2
C 1244	CHIP CAP.	12pF	50V	CH	GRM1552C1H120JZ01D	K22178214		1-	A	A2
C 1245	CHIP CAP.	47pF	50V	CH	GRM1552C1H470JZ01D	K22178228		1-	A	A2
C 1246	CHIP CAP.	15pF	50V	CH	GRM1552C1H150JZ01D	K22178216		1-	A	A2
C 1247	CHIP CAP.	15pF	50V	CH	GRM1552C1H150JZ01D	K22178216		1-	A	A2
C 1250	CHIP CAP.	0.001uF	50V	B	GRM155B11H102KA01D	K22178809		1-	A	A2
C 1252	CHIP CAP.	0.001uF	50V	B	GRM155B11H102KA01D	K22178809		1-	B	c1
C 1253	CHIP CAP.	7pF	50V	CH	UMK105CH070DV-F	K22178255		1-	A	A3
C 1254	CHIP CAP.	15pF	50V	CH	GRM1552C1H150JZ01D	K22178216		1-	A	A3
C 1255	CHIP CAP.	0.001uF	50V	B	GRM155B11H102KA01D	K22178809		1-	A	A3
C 1256	CHIP CAP.	0.0047uF	50V	B	GRM155B11H472KA01D	K22178838		1-	B	b4
C 1257	CHIP CAP.	0.0056uF	25V	B	GRM155B11E562KA01D	K22148802		1-	B	b4
C 1258	CHIP CAP.	0.001uF	50V	B	GRM155B11H102KA01D	K22178809		1-	B	b4
C 1259	CHIP CAP.	0.01uF	25V	B	GRM155B11E103KA01D	K22148834		1-	A	B3
C 1260	CHIP CAP.	0.1uF	10V	B	GRM155B11A104KA01D	K22108802		1-	B	b4
C 1261	CHIP CAP.	0.047uF	10V	B	GRM155B11A473KA01D	K22108801		1-	A	A4
C 1262	CHIP CAP.	0.01uF	25V	B	GRM155B11E103KA01D	K22148834		1-	B	b4
C 1263	CHIP CAP.	0.01uF	25V	B	GRM155B11E103KA01D	K22148834		1-	B	b4
C 1264	CHIP CAP.	0.022uF	16V	B	EMK105B223KW-F	K22128813		1-	B	b4
C 1266	CHIP CAP.	0.0056uF	25V	B	GRM155B11E562KA01D	K22148802		1-	A	C3
C 1267	CHIP CAP.	0.001uF	50V	B	GRM155B11H102KA01D	K22178809		1-	B	a3
C 1270	CHIP CAP.	0.1uF	10V	B	GRM155B11A104KA01D	K22108802		1-	B	a3
C 1271	CHIP CAP.	0.0047uF	50V	B	GRM155B11H472KA01D	K22178838		1-	A	C3
C 1272	CHIP CAP.	0.1uF	10V	B	GRM155B11A104KA01D	K22108802		1-	B	a3
C 1273	CHIP CAP.	0.001uF	50V	B	GRM155B11H102KA01D	K22178809		1-	A	C3
C 1274	CHIP CAP.	0.01uF	25V	B	GRM155B11E103KA01D	K22148834		1-	B	a3
C 1275	CHIP CAP.	100pF	50V	CH	GRM1552C1H101JD01D	K22178236		1-	A	C3
C 1276	CHIP CAP.	82pF	50V	CH	GRM1552C1H820JD01D	K22178234		3-	A	C3
C 1277	CHIP CAP.	0.01uF	25V	B	GRM155B11E103KA01D	K22148834		1-	B	b2
C 1279	CHIP TA.CAP.	10uF	10V		TEESVP1A106M8R	K78100074		1-	B	a2
C 1280	CHIP CAP.	0.001uF	50V	B	GRM155B11H102KA01D	K22178809		1-	B	c2
C 1281	CHIP CAP.	22pF	50V	CH	UMK105CH220JV-F	K22178266		1-	A	A2
C 1281	CHIP CAP.	33pF	50V	CH	GRM1552C1H330JZ01D	K22178224		3-	A	A2
C 1282	CHIP CAP.	0.01uF	25V	B	GRM155B11E103KA01D	K22148834		1-	A	A2
C 1283	CHIP CAP.	0.001uF	50V	B	GRM155B11H102KA01D	K22178809		1-	A	A2
C 1285	CHIP CAP.	0.001uF	50V	B	GRM155B11H102KA01D	K22178809		1-	B	c2
C 1286	CHIP CAP.	0.047uF	10V	B	GRM155B11A473KA01D	K22108801		1-	A	A1
C 1288	CHIP CAP.	0.33uF	6.3V	B	GRM155B10J334KE01D	K22088801		1-	A	A3
C 1289	CHIP TA.CAP.	22uF	6.3V		TEESVPOJ226M-8R	K78080082		1-	A	A3
C 1290	CHIP TA.CAP.	0.1uF	20V		SKF-1D104M-RP	K78130049		1-	A	A3
C 1291	CHIP TA.CAP.	0.1uF	20V		SKF-1D104M-RP	K78130049		1-	A	A3
C 1293	CHIP CAP.	0.1uF	10V	B	GRM155B11A104KA01D	K22108802		1-	B	b4
C 1294	CHIP CAP.	0.0022uF	50V	B	UMK105B222KW-F	K22178833		1-	B	b4
C 1295	CHIP CAP.	0.1uF	10V	B	GRM155B11A104KA01D	K22108802		1-	B	b4
C 1296	CHIP CAP.	0.01uF	25V	B	GRM155B11E103KA01D	K22148834		1-	B	b4
C 1297	CHIP CAP.	0.01uF	25V	B	GRM155B11E103KA01D	K22148834		1-	B	b4
C 1298	CHIP CAP.	0.047uF	10V	B	GRM155B11A473KA01D	K22108801		1-	B	b4
C 1299	CHIP CAP.	0.0022uF	50V	B	UMK105B222KW-F	K22178833		1-	B	a3
C 1300	CHIP CAP.	0.033uF	10V	B	GRM155B11A333KA01D	K22108803		1-	B	a3

REF.	DESCRIPTION	VALUE	V/W	TOL.	MFR'S DESIG	VXSTD P/N	VERS.	LOT.	SIDE	LAY ADR.
C 1301	CHIP CAP.	0.1uF	10V	B	GRM155B11A104KA01D	K22108802		1-	B	a3
C 1302	CHIP CAP.	0.01uF	25V	B	GRM155B11E103KA01D	K22148834		1-	B	a3
C 1303	CHIP CAP.	0.047uF	10V	B	GRM155B11A473KA01D	K22108801		1-	B	a3
C 1304	CHIP CAP.	12pF	50V	CH	GRM1552C1H120JZ01D	K22178214		1-	A	A2
C 1305	CHIP CAP.	15pF	50V	CH	GRM1552C1H150JZ01D	K22178216		1-	A	A1
C 1305	CHIP CAP.	33pF	50V	CH	GRM1552C1H330JZ01D	K22178224		3-	A	A1
C 1306	CHIP CAP.	12pF	50V	CH	GRM1552C1H120JZ01D	K22178214		1-	A	A2
C 1307	CHIP CAP.	0.5pF	50V	CK	GRM1554C1HR50BZ01D	K22178285		1-	B	c1
C 1309	CHIP CAP.	0.5pF	50V	CK	GRM1554C1HR50BZ01D	K22178285		1-	B	c1
C 1310	CHIP CAP.	56pF	50V	CH	GRM1882C1H560JA01D	K22174229		1-	B	b2
C 1312	CHIP CAP.	0.001uF	50V	B	GRM155B11H102KA01D	K22178809		1-	A	A1
C 1317	CHIP CAP.	0.001uF	50V	B	GRM155B11H102KA01D	K22178809		1-	A	A3
C 1318	CHIP CAP.	0.047uF	10V	B	GRM155B11A473KA01D	K22108801		1-	A	A3
C 1320	CHIP CAP.	4.7uF	4V	BJ	AMK105BJ475MV-F	K22068801		1-	A	A3
C 1321	CHIP CAP.	0.001uF	50V	B	GRM155B11H102KA01D	K22178809		1-	B	b4
C 1322	CHIP CAP.	0.001uF	50V	B	GRM155B11H102KA01D	K22178809		1-	B	a3
C 1323	CHIP CAP.	0.01uF	25V	B	GRM155B11E103KA01D	K22148834		1-	B	a3
C 1324	CHIP CAP.	0.001uF	50V	B	GRM155B11H102KA01D	K22178809		1-	A	A1
C 1325	CHIP CAP.	0.001uF	50V	B	GRM155B11H102KA01D	K22178809		1-	A	A1
C 1326	CHIP CAP.	1pF	50V	CK	UMK105CK010CV-F	K22178248		1-	A	A1
C 1328	CHIP CAP.	12pF	50V	CH	GRM1552C1H120JZ01D	K22178214		3-	B	c1
C 1329	CHIP TA.CAP.	68uF	10V		TEESVB21A686M8R	K78100090		1-	A	C2
C 1330	CHIP CAP.	0.001uF	50V	B	GRM155B11H102KA01D	K22178809		1-	A	A1
C 1331	CHIP CAP.	27pF	50V	CH	GRM1552C1H270JZ01D	K22178222		1-	B	c1
C 1331	CHIP CAP.	12pF	50V	CH	GRM1552C1H120JZ01D	K22178214		3-	B	c1
C 1332	CHIP CAP.	39pF	50V	CH	UMK105CH390JV-F	K22178272		1-	B	c1
C 1333	CHIP CAP.	10pF	50V	CH	GRM1552C1H100JZ01D	K22178212		1-	B	b1
C 1333	CHIP CAP.	18pF	50V	CH	GRM1552C1H180JZ01D	K22178218		3-	B	b1
C 1335	CHIP CAP.	0.001uF	50V	B	GRM155B11H102KA01D	K22178809		1-	B	b1
C 1336	CHIP CAP.	3pF	50V	CJ	UMK105CJ030CV-F	K22178251		1-	A	A2
C 1336	CHIP CAP.	2pF	50V	CK	UMK105CK020CV-F	K22178250		3-	A	A2
C 1337	CHIP CAP.	0.001uF	50V	B	GRM155B11H102KA01D	K22178809		1-	B	c1
C 1338	CHIP CAP.	15pF	50V	CH	GRM1552C1H150JZ01D	K22178216		1-	A	A1
C 1338	CHIP CAP.	7pF	50V	CH	UMK105CH070DV-F	K22178255		3-	A	A1
C 1343	CHIP CAP.	0.001uF	50V	B	GRM155B11H102KA01D	K22178809		1-	A	A1
C 1346	CHIP CAP.	4.7uF	4V	BJ	AMK105BJ475MV-F	K22068801		1-	A	A3
C 1347	CHIP CAP.	0.001uF	50V	B	GRM155B11H102KA01D	K22178809		1-	A	A3
C 1348	CHIP TA.CAP.	47uF	4V		TEESVP0G476M8R	K78060050		1-	A	C2
C 1349	CHIP CAP.	4.7uF	6.3V	B	JMK107BJ475MA-T	K22084803		1-	B	b3
C 1350	CHIP CAP.	0.001uF	50V	B	GRM155B11H102KA01D	K22178809		1-	A	A3
C 1351	CHIP TA.CAP.	10uF	6.3V		TEESVP0J106M8R	K78080055		1-	A	B2
C 1352	CHIP CAP.	0.001uF	50V	B	GRM155B11H102KA01D	K22178809		1-	A	B2
C 1353	CHIP TA.CAP.	47uF	4V		TEESVP0G476M8R	K78060050		1-	A	B2
C 1355	CHIP CAP.	0.001uF	50V	B	GRM155B11H102KA01D	K22178809		1-	B	b3
C 1356	CHIP CAP.	0.1uF	10V	B	GRM155B11A104KA01D	K22108802		1-	B	b4
C 1357	CHIP CAP.	0.1uF	10V	B	GRM155B11A104KA01D	K22108802		1-	B	a3
C 1358	CHIP CAP.	0.0068uF	25V	B	GRM155B11E682KA01D	K22148803		1-	B	b4
C 1359	CHIP CAP.	0.0068uF	25V	B	GRM155B11E682KA01D	K22148803		1-	B	a4
C 1360	CHIP CAP.	0.5pF	50V	CK	GRM1554C1HR50BZ01D	K22178285		1-	A	A1
C 1362	CHIP CAP.	0.5pF	50V	CK	GRM1554C1HR50BZ01D	K22178285		1-	A	A1
C 1363	CHIP CAP.	0.01uF	25V	B	GRM155B11E103KA01D	K22148834		1-	B	c1
C 1364	CHIP CAP.	4.7uF	6.3V	B	JMK107BJ475MA-T	K22084803		1-	A	C2
C 1365	CHIP CAP.	15pF	50V	CH	GRM1552C1H150JZ01D	K22178216		1-	A	A1
C 1366	CHIP CAP.	1pF	50V	CK	UMK105CK010CV-F	K22178248		1-	A	A1
C 1367	CHIP CAP.	15pF	50V	CH	GRM1552C1H150JZ01D	K22178216		1-	B	c1
C 1368	CHIP CAP.	7pF	50V	CH	UMK105CH070DV-F	K22178255		1-	B	c1
C 1369	CHIP CAP.	100pF	50V	CH	GRM1552C1H101JD01D	K22178236		1-	A	A1
C 1370	CHIP CAP.	22pF	50V	CH	UMK105CH220JV-F	K22178266		1-	B	c1
C 1370	CHIP CAP.	33pF	50V	CH	GRM1552C1H330JZ01D	K22178224		3-	B	c1
C 1371	CHIP CAP.	9pF	50V	CH	GRM1552C1H9R0DZ01D	K22178211	EXPORT	1-	B	c1

RF Unit

REF.	DESCRIPTION	VALUE	V/W	TOL.	MFR'S DESIG	VXSTD P/N	VERS.	LOT.	SIDE	LAY ADR.
C 1371	CHIP CAP.	10pF	50V	CH	GRM1552C1H100JZ01D	K22178212	EXPORT	3-	B	c1
C 1371	CHIP CAP.	9pF	50V	CH	GRM1552C1H9R0DZ01D	K22178211	USA	1-	B	c1
C 1371	CHIP CAP.	10pF	50V	CH	GRM1552C1H100JZ01D	K22178212	USA	3-	B	c1
C 1372	CHIP CAP.	6pF	50V	CH	GRM1552C1H6R0DZ01D	K22178208		1-	A	A1
C 1373	CHIP CAP.	100pF	50V	CH	GRM1552C1H101JD01D	K22178236		1-	A	A1
C 1374	CHIP CAP.	12pF	50V	CH	GRM1552C1H120JZ01D	K22178214		1-	B	c1
C 1376	CHIP CAP.	18pF	50V	CH	GRM1552C1H180JZ01D	K22178218		1-	A	A1
C 1385	CHIP CAP.	2pF	50V	CK	UMK105CK020CV-F	K22178250		1-	A	A2
C 1387	CHIP CAP.	0.001uF	50V	B	GRM155B11H102KA01D	K22178809		1-	A	B3
C 1388	CHIP CAP.	0.001uF	50V	B	GRM155B11H102KA01D	K22178809		1-	A	C2
C 1389	CHIP CAP.	0.001uF	50V	B	GRM155B11H102KA01D	K22178809		1-	A	C2
C 1390	CHIP CAP.	0.001uF	50V	B	GRM155B11H102KA01D	K22178809		1-	A	C2
C 1391	CHIP CAP.	0.001uF	50V	B	GRM155B11H102KA01D	K22178809		1-	A	C2
C 1392	CHIP TA.CAP.	10uF	6.3V		TEESVP0J106M8R	K78080055		1-	A	C2
C 1393	CHIP CAP.	0.0012uF	50V	B	GRM155B11H122KA01	K22178810		1-	B	b4
C 1394	CHIP CAP.	820pF	50V	B	GRM155B11H821KA01D	K22178808		1-	B	b4
C 1395	CHIP CAP.	820pF	50V	B	GRM155B11H821KA01D	K22178808		1-	B	a4
C 1396	CHIP CAP.	820pF	50V	B	GRM155B11H821KA01D	K22178808		1-	B	b4
C 1397	CHIP CAP.	820pF	50V	B	GRM155B11H821KA01D	K22178808		1-	B	a4
C 1398	CHIP CAP.	4.7uF	6.3V	B	JMK107BJ475MA-T	K22084803		1-	B	c4
C 1399	CHIP CAP.	4.7uF	6.3V	B	JMK107BJ475MA-T	K22084803		1-	B	a4
C 1400	CHIP CAP.	0.001uF	50V	B	GRM155B11H102KA01D	K22178809		1-	B	a4
C 1401	CHIP CAP.	18pF	50V	CH	GRM1552C1H180JZ01D	K22178218		1-	A	A1
C 1402	CHIP CAP.	0.5pF	50V	CK	GRM1554C1HR50BZ01D	K22178285		1-	A	A1
C 1403	CHIP CAP.	47pF	50V	CH	GRM1552C1H470JZ01D	K22178228		1-	B	c1
C 1404	CHIP CAP.	7pF	50V	CH	UMK105CH070DV-F	K22178255		1-	A	A1
C 1405	CHIP CAP.	39pF	50V	CH	UMK105CH390JV-F	K22178272		1-	B	c1
C 1406	CHIP CAP.	15pF	50V	CH	GRM1552C1H150JZ01D	K22178216		1-	A	A1
C 1406	CHIP CAP.	18pF	50V	CH	GRM1552C1H180JZ01D	K22178218		3-	A	A1
C 1412	CHIP CAP.	0.001uF	50V	B	GRM155B11H102KA01D	K22178809		1-	B	b3
C 1413	CHIP CAP.	0.01uF	25V	B	GRM155B11E103KA01D	K22148834		1-	B	a4
C 1414	AL.ELECTRO.CAP.	10uF	16V		RV4-16V100MD46-RR2	K48120018		1-	A	C2
C 1415	CHIP CAP.	0.001uF	50V	B	GRM155B11H102KA01D	K22178809		1-	B	b1
C 1416	CHIP CAP.	2pF	50V	CK	UMK105CK020CV-F	K22178250	EXPORT	3-	A	A2
C 1417	CHIP CAP.	0.01uF	25V	B	GRM155B11E103KA01D	K22148834		1-	B	b4
C 1420	CHIP CAP.	10pF	50V	CH	GRM1552C1H100JZ01D	K22178212		1-	A	B3
C 1422	CHIP CAP.	0.1uF	10V	B	GRM155B11A104KA01D	K22108802		1-	B	b4
C 1423	CHIP CAP.	0.1uF	10V	B	GRM155B11A104KA01D	K22108802		1-	B	a4
C 1424	CHIP CAP.	47pF	50V	CH	GRM1552C1H470JZ01D	K22178228		1-	A	A2
C 1425	CHIP CAP.	56pF	50V	CH	GRM1552C1H560JD01D	K22178230		1-	A	A2
C 1425	CHIP CAP.	22pF	50V	CH	UMK105CH220JV-F	K22178266		3-	A	A2
C 1426	CHIP CAP.	0.01uF	25V	B	GRM155B11E103KA01D	K22148834		1-	B	b1
C 1427	CHIP CAP.	10pF	50V	CH	GRM1552C1H100JZ01D	K22178212		1-	B	b1
C 1428	CHIP CAP.	0.001uF	50V	B	GRM155B11H102KA01D	K22178809		1-	B	b1
C 1435	CHIP CAP.	0.01uF	25V	B	GRM155B11E103KA01D	K22148834		1-	A	A3
C 1442	CHIP CAP.	5pF	50V	CH	UMK105CH050CV-F	K22178253		1-	A	B2
C 1443	CHIP CAP.	5pF	50V	CH	UMK105CH050CV-F	K22178253		1-	A	B2
C 1444	CHIP CAP.	0.001uF	50V	B	GRM155B11H102KA01D	K22178809		1-	A	B3
C 1445	CHIP CAP.	0.001uF	50V	B	GRM155B11H102KA01D	K22178809		1-	A	A3
C 1449	CHIP CAP.	22pF	50V	CH	UMK105CH220JV-F	K22178266		1-	A	B3
C 1450	CHIP CAP.	3pF	50V	CJ	UMK105CJ030CV-F	K22178251		1-	A	A3
C 1457	CHIP TA.CAP.	47uF	4V		TEESVP0G476M8R	K78060050		1-	A	B3
C 1458	CHIP CAP.	0.22uF	10V	B	GRM155B31A224KE18D	K22108808		1-	A	C2
C 1460	CHIP CAP.	0.001uF	50V	B	GRM155B11H102KA01D	K22178809		1-	A	A2
C 1462	CHIP CAP.	0.001uF	50V	B	GRM155B11H102KA01D	K22178809		1-	A	C2
C 1464	CHIP CAP.	0.01uF	25V	B	GRM155B11E103KA01D	K22148834		1-	A	B3
C 1466	CHIP CAP.	0.01uF	25V	B	GRM155B11E103KA01D	K22148834		1-	B	b2
C 1467	CHIP CAP.	0.01uF	25V	B	GRM155B11E103KA01D	K22148834		1-	B	c4
C 1468	CHIP CAP.	0.001uF	50V	B	GRM155B11H102KA01D	K22178809		1-	B	c4
C 1469	CHIP CAP.	0.001uF	50V	B	GRM155B11H102KA01D	K22178809		1-	B	c4

REF.	DESCRIPTION	VALUE	V/W	TOL.	MFR'S DESIG	VXSTD P/N	VERS.	LOT.	SIDE	LAY ADR.
C 1471	CHIP CAP.	100pF	50V	CH	GRM1552C1H101JD01D	K22178236		1-	A	B1
C 1472	CHIP CAP.	100pF	50V	CH	GRM1552C1H101JD01D	K22178236		1-	B	a3
C 1473	CHIP CAP.	1uF	6.3V	B	GRM155B30J105KE18D	K22088803		1-	A	B3
C 1474	CHIP TA.CAP.	47uF	4V		TEESVP0G476M8R	K78060050		1-	A	C2
C 1476	CHIP CAP.	0.001uF	50V	B	GRM155B11H102KA01D	K22178809		1-	A	B2
C 1477	CHIP CAP.	0.001uF	50V	B	GRM155B11H102KA01D	K22178809		1-	B	b3
C 1478	CHIP CAP.	0.001uF	50V	B	GRM155B11H102KA01D	K22178809		1-	A	B4
C 1479	CHIP CAP.	0.001uF	50V	B	GRM155B11H102KA01D	K22178809		1-	B	b3
C 1486	CHIP TA.CAP.	4.7uF	6.3V		TEESVP0J475M8R	K78080053		1-	A	A3
C 1496	CHIP CAP.	0.1uF	10V	B	GRM155B11A104KA01D	K22108802		1-	B	b2
C 1499	CHIP CAP.	0.001uF	50V	B	GRM155B11H102KA01D	K22178809		1-	B	b2
C 1503	CHIP CAP.	0.001uF	50V	B	GRM155B11H102KA01D	K22178809		1-	A	B2
C 1505	CHIP CAP.	0.1uF	10V	B	GRM155B11A104KA01D	K22108802		1-	A	B1
C 1508	CHIP CAP.	0.001uF	50V	B	GRM155B11H102KA01D	K22178809		1-	A	C3
C 1509	CHIP CAP.	9pF	50V	CH	GRM1552C1H9R0DZ01D	K22178211		1-	B	c1
C 1510	CHIP CAP.	11pF	50V	CH	GRM1552C1H110JZ01D	K22178213		1-	B	b2
C 1511	CHIP CAP.	11pF	50V	CH	GRM1552C1H110JZ01D	K22178213		1-	A	B2
C 1517	CHIP CAP.	6pF	50V	CH	GRM1552C1H6R0DZ01D	K22178208		3-	A	A1
CD1001	CERAMIC DISC				CDBLB450KCAY07-B0	H7900930		1-		
CD1002	CERAMIC DISC				CDBLB450KCAY07-B0	H7900930		1-		
CF1002	CERAMIC FILTER				LTWC450F	H3900563		1-	A	A4
CF1003	CERAMIC FILTER				LTWC450E	H3900565		1-	A	C4
D 1001	DIODE				RB751G-40T2R	G2071066		1-	A	C2
D 1002	DIODE				1SS362(TE85R.F)	G2070268		1-	A	A1
D 1003	DIODE				1SS362(TE85R.F)	G2070268		1-	B	b1
D 1004	DIODE				RB070M-30TR	G2071256		1-	A	B1
D 1005	DIODE				1SS385FV(TPL3.Z)	G2071246		1-	A	B2
D 1011	DIODE				M1FM3-6063	G2071090		1-	A	C2
D 1012	DIODE				JDP2S04E(TAPE)	G2071180		1-	B	b2
D 1013	DIODE				HVD358B KRF-E	G2070950		1-	B	b2
D 1014	DIODE				HVD358B KRF-E	G2070950		1-	B	b2
D 1015	DIODE				JDP2S04E(TAPE)	G2071180		1-	A	B2
D 1016	DIODE				HVD358B KRF-E	G2070950		1-	A	B2
D 1017	DIODE				1SV325(TPH3.F)	G2070848		1-	A	B1
D 1018	DIODE				1SV325(TPH3.F)	G2070848		1-	A	B1
D 1019	DIODE				HVD358B KRF-E	G2070950		1-	A	B2
D 1020	DIODE				1SV308(TAPE)	G2071202		1-	A	B1
D 1021	DIODE				1SV308(TAPE)	G2071202		1-	B	b1
D 1022	DIODE				1SV325(TPH3.F)	G2070848		1-	B	b1
D 1023	DIODE				1SV325(TPH3.F)	G2070848		1-	B	b1
D 1026	DIODE				1SV331(TPH3.F)	G2071044		1-	B	b1
D 1027	DIODE				1SV331(TPH3.F)	G2071044		1-	B	b1
D 1028	DIODE				HVD358B KRF-E	G2070950		1-	B	b2
D 1029	DIODE				JDV2S07FS(TPL3.F)	G2071242		1-	A	B1
D 1030	DIODE				JDV2S07FS(TPL3.F)	G2071242		1-	A	B1
D 1031	DIODE				HVD358B KRF-E	G2070950		1-	A	B2
D 1032	DIODE				JDV2S07FS(TPL3.F)	G2071242		1-	B	b1
D 1033	DIODE				1SV325(TPH3.F)	G2070848		1-	A	B1
D 1034	DIODE				1SV325(TPH3.F)	G2070848		1-	A	B1
D 1035	DIODE				1SV325(TPH3.F)	G2070848		1-	B	b1
D 1036	DIODE				1SV325(TPH3.F)	G2070848		1-	B	b1
D 1037	DIODE				JDV2S07FS(TPL3.F)	G2071242		1-	B	b1
D 1043	DIODE				HVD358B KRF-E	G2070950		1-	B	b2
D 1044	DIODE				1SV325(TPH3.F)	G2070848		1-	A	B1
D 1045	DIODE				1SV325(TPH3.F)	G2070848		1-	A	B1
D 1046	DIODE				HVD358B KRF-E	G2070950		1-	A	B2
D 1047	DIODE				1SV325(TPH3.F)	G2070848		1-	B	a1
D 1048	DIODE				1SV325(TPH3.F)	G2070848		1-	B	a1
D 1052	DIODE				1SS400G T2R	G2070934		1-	B	a1
D 1053	DIODE				1SS400G T2R	G2070934		1-	B	a2

RF Unit

REF.	DESCRIPTION	VALUE	V/W	TOL.	MFR'S DESIG	VXSTD P/N	VERS.	LOT.	SIDE	LAY ADR.
D 1054	DIODE				1SS400G T2R	G2070934		1-	A	B2
D 1055	DIODE				1SS400G T2R	G2070934		1-	A	B1
D 1056	DIODE				1SS400G T2R	G2070934		1-	B	a1
D 1060	DIODE				DAN222M T2L	G2070936		1-	A	A2
D 1062	DIODE				DAN222M T2L	G2070936		1-	A	A2
D 1063	DIODE				DA221M T2L	G2070940		1-	B	a2
D 1064	DIODE				DA221M T2L	G2070940		1-	A	B2
D 1070	DIODE				RB751G-40T2R	G2071066		1-	B	c1
D 1072	DIODE				DA221M T2L	G2070940		1-	B	b4
D 1073	DIODE				DA221M T2L	G2070940		1-	B	b4
D 1074	DIODE				DA221M T2L	G2070940		1-	B	a3
D 1075	DIODE				DA221M T2L	G2070940		1-	B	a3
D 1077	DIODE				RB751G-40T2R	G2071066		1-	A	A1
D 1078	DIODE				RB751G-40T2R	G2071066		1-	A	A1
D 1079	DIODE				RLS135 TE-11	G2070128		1-	A	A1
D 1081	DIODE				1SV307(TPH3.F)	G2070638		1-	A	A1
D 1082	DIODE				RLS135 TE-11	G2070128		1-	B	c1
D 1083	DIODE				1SV307(TPH3.F)	G2070638		1-	B	c1
D 1086	DIODE				DAN222M T2L	G2070936		1-	A	B2
D 1087	DIODE				1SS385(TE85L.F)	G2070880		1-	A	B3
D 1088	DIODE				1SS400G T2R	G2070934		1-	A	B2
D 1089	DIODE				1SV271(TPH3.F)	G2070476		1-	A	A1
D 1090	DIODE				RB751G-40T2R	G2071066		1-	A	A1
D 1091	DIODE				1SV271(TPH3.F)	G2070476		1-	A	A1
D 1094	DIODE				HN2D01FU(TE85R.F)	G2070348		1-	A	A2
D 1097	SURGE ABSORBER				EZAEG2A50AX	Q9000868		1-	A	A1
D 1156	DIODE				HVC359 TRF-E	G2070708		1-	A	A3
D 1157	DIODE				1SS314(TPH3.F)	G2070122		1-	A	A1
D 1160	DIODE				JDS2S03S(TPH3.F)	G2071062		1-	B	b2
D 1161	DIODE				JDS2S03S(TPH3.F)	G2071062		1-	A	B2
D 1162	DIODE				1SS400G T2R	G2070934		1-	A	B2
D 1163	DIODE				1SS400G T2R	G2070934		1-	A	A1
D 1164	DIODE				1SS400G T2R	G2070934		1-	B	b1
FB1001	CHIPCOIL				BLM21PG300SN1D	L1690840		1-	A	B1
FB1002	CHIPCOIL				BLM21PG300SN1D	L1690840		1-	A	A1
FB1003	CHIPCOIL				BLM21PG300SN1D	L1690840		1-	A	C3
FB1004	CHIPCOIL				BLM21PG300SN1D	L1690840		1-	A	C2
HS1001	HEATSINK PLATE				(H029)	RA1014100		1-	B	c2
J 1001	CONNECTOR				DC-340-001-00	P0091507		1-	A	C3
J 1002	CONNECTOR				AXK6F10345YP	P0091378		1-	A	B4
J 1003	CONNECTOR				AXK6F10345YP	P0091378		1-	A	B3
J 1004	CONNECTOR				AXK6S50637YG	P0091531		1-	A	A4
J 1005	CONNECTOR				AXK6F10345YP	P0091378		1-	A	A3
J 1006	CONNECTOR				AXK6F10345YP	P0091378		1-	A	A2
L 1001	M.RFC	0.01uH			TFL0510-10N	L1690811		1-	B	c1
L 1003	M.RFC	0.0082uH			TFL0510-8N2	L1690810		1-	B	c1
L 1004	M.RFC	0.0047uH			TFL0510-4N7	L1690807		1-	B	b1
L 1006	M.RFC	0.033uH		5%	C1005C-33NJ-RF	L1691554		1-	A	B1
L 1006	M.RFC	0.01uH		5%	C1005C-10NJ-RF	L1691347		3-	A	B1
L 1007	M.RFC	0.0068uH		5%	C1608CB-6N8J-RF	L1691093		1-	A	B2
L 1008	M.RFC	0.15uH		2%	C1608CB-R15G-RF	L1691101		1-	B	b1
L 1009	M.RFC	0.056uH		5%	C1005C-56NJ-RF	L1691557		1-	B	b1
L 1010	M.RFC	0.15uH		2%	C1608CB-R15G-RF	L1691101		1-	A	B1
L 1014	M.RFC	150uH			FLC32P-T-151K	L1690661		1-	A	C2
L 1015	M.RFC	0.01uH			TFL0510-10N	L1690811		1-	B	b1
L 1016	M.RFC	0.0068uH			TFL0510-6N8	L1690809		1-	B	b1
L 1017	M.RFC	0.01uH		2%	C1608CB-10NG-RF	L1691032		1-	B	b2
L 1018	M.RFC	0.01uH		2%	C1608CB-10NG-RF	L1691032		1-	A	B2
L 1019	M.RFC	0.0027uH		5%	C1005C-2N7J-RF	L1691338		1-	B	b1
L 1020	M.RFC	0.01uH		2%	C1608CB-10NG-RF	L1691032		1-	B	b2

REF.	DESCRIPTION	VALUE	V/W	TOL.	MFR'S DESIG	VXSTD P/N	VERS.	LOT.	SIDE	LAY ADR.
L 1021	M.RFC	0.01uH		2%	C1608CB-10NG-RF	L1691032		1-	B	b2
L 1022	M.RFC	0.01uH		2%	C1608CB-10NG-RF	L1691032		1-	A	B2
L 1023	M.RFC	0.01uH		2%	C1608CB-10NG-RF	L1691032		1-	A	B2
L 1024	M.RFC	0.082uH		2%	C1608CB-82NG-RF	L1691044		1-	A	B1
L 1025	M.RFC	0.082uH		2%	C1608CB-82NG-RF	L1691044		1-	B	b1
L 1026	M.RFC	0.082uH		2%	C1608CB-82NG-RF	L1691044		1-	A	B1
L 1027	M.RFC	0.082uH		2%	C1608CB-82NG-RF	L1691044		1-	B	b1
L 1030	M.RFC	0.0027uH		5%	C1005C-2N7J-RF	L1691338		1-	B	b1
L 1031	M.RFC	0.0047uH			TFL0510-4N7	L1690807		1-	B	b1
L 1032	M.RFC	0.01uH		2%	C1608CB-10NG-RF	L1691032		1-	B	a2
L 1033	M.RFC	0.01uH		2%	C1608CB-10NG-RF	L1691032		1-	A	B2
L 1034	M.RFC	0.082uH		2%	C1608CB-82NG-RF	L1691044		1-	A	B1
L 1035	M.RFC	0.082uH		2%	C1608CB-82NG-RF	L1691044		1-	B	a1
L 1038	M.RFC	0.022uH			TFL0510-22N	L1690815		1-	A	B4
L 1039	M.RFC	0.015uH			TFL0510-15N	L1690813		1-	A	B3
L 1040	M.RFC	0.01uH			TFL0510-10N	L1690811		1-	A	B2
L 1041	M.RFC	0.039uH			TFL0510-39N	L1690818		1-	A	B2
L 1042	M.RFC	1uH			LK1608 1R0K-T	L1690687		1-	B	b3
L 1043	M.RFC	0.47uH			LK1608 R47K-T	L1690414		1-	B	b3
L 1044	M.RFC	0.39uH			LK1608 R39K-T	L1690413		1-	B	a1
L 1047	M.RFC	0.39uH			LK1608 R39K-T	L1690413		1-	A	B2
L 1048	M.RFC	0.039uH			TFL0510-39N	L1690818		1-	A	A2
L 1050	M.RFC	0.012uH			TFL0510-12N	L1690812		1-	A	A2
L 1052	M.RFC	1uH			LK1608 1R0K-T	L1690687		1-	B	b3
L 1053	M.RFC	0.47uH			LK1608 R47K-T	L1690414		1-	B	b3
L 1054	M.RFC	33uH			LK1608 330M-T	L1690690		1-	A	B3
L 1055	M.RFC	0.33uH		2%	C1608CB-R33G-RF	L1691106		1-	B	a2
L 1056	M.RFC	0.33uH		2%	C1608CB-R33G-RF	L1691106		1-	A	B2
L 1057	COIL	0.0411uH			F2309C	L0023028		1-	A	A2
L 1058	M.RFC	0.01uH			ELJ-RE10NJF2	L1690714		1-	A	A2
L 1059	COIL				E2 0.26-0.8-3T	L0023033		1-	A	A2
L 1060	CHIPCOIL	0.018uH		2%	LQW18AN18NG00D	L1690883		1-	A	A2
L 1062	M.RFC	0.022uH			TFL0510-22N	L1690815		1-	A	A3
L 1065	COIL				E2 0.25-1.85-8.5T-L	L0022576		1-	A	B2
L 1067	COIL				E2 0.3-1.1-3T-R	L0022579		1-	A	A2
L 1068	COIL				E2 0.4-1.3-2T-L	L0022580		1-	A	A1
L 1069	COIL	0.0167uH			F2304C	L0023023		1-	B	c1
L 1070	M.RFC	4.7uH			LK1608 4R7K-T	L1690688		1-	A	A1
L 1074	COIL	0.022uH			F2305C	L0023024		1-	A	A1
L 1075	M.RFC	4.7uH			LK1608 4R7K-T	L1690688		1-	B	b1
L 1076	COIL	0.022uH			F2305C	L0023024		1-	A	A1
L 1077	COIL	0.0411uH			F2309C	L0023028		1-	B	c1
L 1080	COIL	0.0167uH			F2304C	L0023023		1-	A	A1
L 1081	COIL	0.0411uH			F2309C	L0023028		1-	B	c1
L 1082	COIL	0.0336uH			F2307C	L0023026		1-	B	c1
L 1083	COIL	0.022uH			F2305C	L0023024		1-	A	A1
L 1086	M.RFC	0.01uH			TFL0510-10N	L1690811		1-	A	A2
L 1087	COIL	0.0167uH			F2304C	L0023023		1-	A	A1
L 1088	COIL	0.0411uH			F2309C	L0023028		1-	B	c1
L 1089	COIL	0.0336uH			F2307C	L0023026		1-	A	A1
L 1089	COIL	0.0399uH			F2308C	L0023027		3-	A	A1
L 1090	M.RFC	0.022uH			TFL0510-22N	L1690815		1-	B	a2
L 1091	M.RFC	0.022uH			TFL0510-22N	L1690815		1-	A	B2
L 1095	M.RFC	0.15uH		2%	C1608CB-R15G-RF	L1691101		1-	B	b1
L 1096	M.RFC	0.022uH			TFL0510-22N	L1690815		1-	A	B2
L 1097	M.RFC	0.01uH			TFL0510-10N	L1690811		1-	A	B2
L 1098	M.RFC	0.022uH			TFL0510-22N	L1690815		1-	A	B2
L 1103	CHIPCOIL	0.0068uH			LQW18AN6N8C00D	L1690879		1-	B	b2
L 1104	CHIPCOIL	0.0068uH			LQW18AN6N8C00D	L1690879		1-	A	B2
P 1001	SPRINGCONNECTOR				MS0038-40	S5000228		1-		

RF Unit

REF.	DESCRIPTION	VALUE	V/W	TOL.	MFR'S DESIG	VXSTD P/N	VERS.	LOT.	SIDE	LAY ADR.
P 1002	SPRINGCONNECTOR				MS0038-40	S5000228		1-		
P 1003	SPRINGCONNECTOR				MS0038-40	S5000228		1-		
Q 1001	TRANSISTOR				2SC5555ZD-TR	G3355557		1-	A	B2
Q 1002	TRANSISTOR				2SC5555ZD-TR	G3355557		1-	A	A1
Q 1006	TRANSISTOR				EMB3 T2R	G3070303		1-	B	a4
Q 1008	TRANSISTOR				DTC144EM T2L	G3070309		1-	B	a4
Q 1009	TRANSISTOR				MT3S36FS(TE85L.F)	G3070377		1-	B	b1
Q 1010	TRANSISTOR				MT3S36FS(TE85L.F)	G3070377		1-	B	b1
Q 1013	TRANSISTOR				DTC144EM T2L	G3070309		1-	B	a3
Q 1014	TRANSISTOR				EMB3 T2R	G3070303		1-	B	a4
Q 1015	TRANSISTOR				2SC5555ZD-TR	G3355557		1-	B	b2
Q 1016	TRANSISTOR				2SC5555ZD-TR	G3355557		1-	A	B2
Q 1017	IC				MB15A01PFV1-G-BND-EFE1	G1092545		1-	A	B3
Q 1018	TRANSISTOR				MT3S36FS(TE85L.F)	G3070377		1-	B	a1
Q 1019	TRANSISTOR				2SC5555ZD-TR	G3355557		1-	B	a2
Q 1020	TRANSISTOR				2SC5555ZD-TR	G3355557		1-	A	B2
Q 1021	TRANSISTOR				2SC5555ZD-TR	G3355557		1-	A	B1
Q 1022	TRANSISTOR				2SC5555ZD-TR	G3355557		1-	B	a1
Q 1026	TRANSISTOR				2SC5374-TL	G3353748		1-	A	C3
Q 1027	TRANSISTOR				2SC5374-TL	G3353748		1-	A	B3
Q 1028	TRANSISTOR				2SC4915-O(TE85L.F)	G3349158O		1-	B	b3
Q 1031	TRANSISTOR				2SC5226-5-TL	G3352268E		1-	A	A2
Q 1034	TRANSISTOR				2SC4915-O(TE85L.F)	G3349158O		1-	B	a2
Q 1036	FET				2SK3541 T2L	G3835417		1-	A	B4
Q 1037	TRANSISTOR				2SC4915-O(TE85L.F)	G3349158O		1-	A	B2
Q 1038	FET				2SK3541 T2L	G3835417		1-	A	C3
Q 1040	TRANSISTOR				2SC4915-O(TE85L.F)	G3349158O		1-	B	b3
Q 1041	TRANSISTOR				DTA114TE TL	G3070264		1-	A	B3
Q 1042	FET				2SK3475(T2LVX.F)	G3070318		1-	A	A2
Q 1043	TRANSISTOR				DTA114TE TL	G3070264		1-	A	A3
Q 1044	IC				MB15A01PFV1-G-BND-EFE1	G1092545		1-	A	A3
Q 1045	TRANSISTOR				2SC4915-O(TE85L.F)	G3349158O		1-	A	B3
Q 1046	IC				NJM2552V-TE1	G1094382		1-	A	B4
Q 1047	IC				NJM2552V-TE1	G1094382		1-	A	C3
Q 1049	TRANSISTOR				DTC144EM T2L	G3070309		1-	A	A3
Q 1050	TRANSISTOR				2SC5658 T2L Q/R	G3356588		1-	B	b4
Q 1051	TRANSISTOR				2SC5658 T2L Q/R	G3356588		1-	B	a3
Q 1052	FET				2SK3476(TE12L.Q)	G3834768		1-	A	A2
Q 1055	FET				2SJ364-P(TX)	G3703648P		1-	B	b4
Q 1060	FET				2SJ364-P(TX)	G3703648P		1-	B	a3
Q 1064	TRANSISTOR				2SC5374-TL	G3353748		1-	A	B2
Q 1065	FET				RTM002P02(TAPE)	G3070347		1-	A	B3
Q 1066	TRANSISTOR				2SC5658 T2L Q/R	G3356588		1-	A	B3
Q 1067	FET				RTM002P02(TAPE)	G3070347		1-	A	B3
Q 1073	TRANSISTOR				2SC5658 T2L Q/R	G3356588		1-	B	b4
Q 1074	TRANSISTOR				2SC5658 T2L Q/R	G3356588		1-	B	a4
Q 1075	TRANSISTOR				DTC144EM T2L	G3070309		1-	A	A1
Q 1076	TRANSISTOR				2SC5374-TL	G3353748		1-	A	A2
Q 1077	TRANSISTOR				CPH6102-TL	G3070223		1-	A	C2
Q 1078	TRANSISTOR				EMB3 T2R	G3070303		1-	A	A3
Q 1079	TRANSISTOR				UMW1 TR	G3070078		1-	A	C2
Q 1080	TRANSISTOR				2SA2029 T2L Q/R	G3120298		1-	A	A2
Q 1081	TRANSISTOR				EMB3 T2R	G3070303		1-	B	b3
Q 1082	TRANSISTOR				EMG2 T2R	G3070304		1-	A	A3
Q 1083	TRANSISTOR				DTC144EM T2L	G3070309		1-	B	b3
Q 1084	TRANSISTOR				2SC5658 T2L Q/R	G3356588		1-	B	b4
Q 1085	TRANSISTOR				2SC5658 T2L Q/R	G3356588		1-	B	a4
Q 1086	IC				TC74VHC595FK(EL,K)	G1094552		1-	B	b3
Q 1087	IC				TC74VHC595FK(EL,K)	G1094552		1-	B	b2
Q 1093	TRANSISTOR				EMB3 T2R	G3070303		1-	A	A3

REF.	DESCRIPTION	VALUE	V/W	TOL.	MFR'S DESIG	VXSTD P/N	VERS.	LOT.	SIDE	LAY ADR.
Q 1094	TRANSISTOR				2SA2029 T2L Q/R	G3120298		1-	A	A2
Q 1095	TRANSISTOR				EMG2 T2R	G3070304		1-	A	A2
Q 1096	IC				NJU7007F3-TE1	G1093617		1-	A	A3
Q 1097	IC				LM2904PWR	G1094010		1-	B	c2
Q 1098	IC				NJU7007F3-TE1	G1093617		1-	A	A3
Q 1099	IC				XC6371A650DR	G1094584		1-	A	C2
Q 1100	TRANSISTOR				2SC5555ZD-TR	G3355557		1-	B	b1
Q 1104	FET				2SK3541 T2L	G3835417		1-	A	A2
Q 1106	TRANSISTOR				DTC144EM T2L	G3070309		1-	B	c1
Q 1107	TRANSISTOR				DTC144EM T2L	G3070309		1-	B	c2
Q 1108	TRANSISTOR				UMD2NTR	G3070076		1-	B	b3
Q 1109	TRANSISTOR				UMD2NTR	G3070076		1-	B	a3
Q 1110	FET				RZM002P02	G3070432		1-	A	A3
Q 1113	TRANSISTOR				DTC144EM T2L	G3070309		1-	B	b3
Q 1114	TRANSISTOR				DTC144EM T2L	G3070309		1-	B	a3
Q 1115	TRANSISTOR				DTA114TE TL	G3070264		1-	A	B3
Q 1116	TRANSISTOR				2SC4915-O(TE85L.F)	G33491580		1-	B	b2
Q 1117	TRANSISTOR				2SC4915-O(TE85L.F)	G33491580		1-	A	B2
R 1002	CHIPRES.	10k	1/16W	5%	RMC1/16S 103JTH	J24189037		1-	A	A3
R 1003	CHIPRES.	22k	1/16W	5%	RMC1/16S 223JTH	J24189041		1-	A	B2
R 1004	CHIPRES.	15	1/16W	5%	RMC1/16S 150JTH	J24189003		1-	A	B2
R 1005	CHIPRES.	56k	1/16W	5%	RMC1/16S 563JTH	J24189046		1-	A	A1
R 1006	CHIPRES.	56	1/16W	5%	RMC1/16S 560JTH	J24189010		1-	A	B1
R 1007	CHIPRES.	2.2M	1/16W	5%	RMC1/16S 225JTH	J24189065		1-	A	A3
R 1012	CHIPRES.	47k	1/16W	5%	RMC1/16S 473JTH	J24189045		1-	B	b1
R 1014	CHIPRES.	47	1/16W	5%	RMC1/16S 470JTH	J24189009		1-	B	b1
R 1015	CHIPRES.	47k	1/16W	5%	RMC1/16S 473JTH	J24189045		1-	B	b1
R 1016	CHIPRES.	22	1/16W	5%	RMC1/16S 220JTH	J24189005		1-	B	b2
R 1017	CHIPRES.	2.2k	1/16W	5%	RMC1/16S 222JTH	J24189029		1-	B	b2
R 1018	CHIPRES.	100k	1/16W	5%	RMC1/16S 104JTH	J24189049		1-	B	b2
R 1019	CHIPRES.	100k	1/16W	5%	RMC1/16S 104JTH	J24189049		1-	B	b2
R 1020	CHIPRES.	22	1/16W	5%	RMC1/16S 220JTH	J24189005		1-	A	B2
R 1021	CHIPRES.	2.2k	1/16W	5%	RMC1/16S 222JTH	J24189029		1-	A	B2
R 1022	CHIPRES.	56k	1/16W	5%	RMC1/16S 563JTH	J24189046		1-	B	b1
R 1023	CHIPRES.	100k	1/16W	5%	RMC1/16S 104JTH	J24189049		1-	A	B2
R 1024	CHIPRES.	100k	1/16W	5%	RMC1/16S 104JTH	J24189049		1-	A	B2
R 1027	CHIPRES.	10k	1/16W	5%	RMC1/16S 103JTH	J24189037		1-	A	B1
R 1028	CHIPRES.	10k	1/16W	5%	RMC1/16S 103JTH	J24189037		1-	B	b1
R 1029	CHIPRES.	100k	1/16W	5%	RMC1/16S 104JTH	J24189049		1-	A	B1
R 1030	CHIPRES.	100k	1/16W	5%	RMC1/16S 104JTH	J24189049		1-	B	b1
R 1034	CHIPRES.	100	1/16W	5%	RMC1/16S 101JTH	J24189013		1-	B	b1
R 1035	CHIPRES.	100k	1/16W	5%	RMC1/16S 104JTH	J24189049		1-	B	b1
R 1036	CHIPRES.	100k	1/16W	5%	RMC1/16S 104JTH	J24189049		1-	B	b1
R 1037	CHIPRES.	56k	1/16W	5%	RMC1/16S 563JTH	J24189046		1-	B	b2
R 1038	CHIPRES.	100	1/16W	5%	RMC1/16S 101JTH	J24189013		1-	B	b2
R 1039	CHIPRES.	22k	1/16W	5%	RMC1/16S 223JTH	J24189041		1-	A	B2
R 1040	CHIPRES.	100	1/16W	5%	RMC1/16S 101JTH	J24189013		1-	A	B2
R 1041	CHIPRES.	100k	1/16W	5%	RMC1/16S 104JTH	J24189049		1-	A	B1
R 1042	CHIPRES.	100k	1/16W	5%	RMC1/16S 104JTH	J24189049		1-	B	b1
R 1043	CHIPRES.	100k	1/16W	5%	RMC1/16S 104JTH	J24189049		1-	A	B1
R 1044	CHIPRES.	100k	1/16W	5%	RMC1/16S 104JTH	J24189049		1-	B	b1
R 1045	CHIPRES.	100k	1/16W	5%	RMC1/16S 104JTH	J24189049		1-	A	B1
R 1046	CHIPRES.	100k	1/16W	5%	RMC1/16S 104JTH	J24189049		1-	B	b1
R 1056	CHIPRES.	10k	1/16W	5%	RMC1/16S 103JTH	J24189037		1-	A	B3
R 1057	CHIPRES.	10k	1/16W	5%	RMC1/16S 103JTH	J24189037		1-	A	B3
R 1058	CHIPRES.	680	1/16W	5%	RMC1/16S 681JTH	J24189023		1-	A	B3
R 1059	CHIPRES.	680	1/16W	5%	RMC1/16S 681JTH	J24189023		1-	A	B4
R 1060	CHIPRES.	1.5k	1/16W	5%	RMC1/16S 152JTH	J24189027		1-	A	B4
R 1061	CHIPRES.	100k	1/16W	5%	RMC1/16S 104JTH	J24189049		1-	A	B4
R 1062	CHIPRES.	1.2k	1/16W	5%	RMC1/16S 122JTH	J24189026		1-	A	B4

RF Unit

REF.	DESCRIPTION	VALUE	V/W	TOL.	MFR'S DESIG	VXSTD P/N	VERS.	LOT.	SIDE	LAY ADR.
R 1063	CHIPRES.	1.8k	1/16W	5%	RMC1/16S 182JTH	J24189028		1-	A	B4
R 1065	CHIPRES.	100k	1/16W	5%	RMC1/16S 104JTH	J24189049		1-	B	b1
R 1066	CHIPRES.	220	1/16W	5%	RMC1/16S 221JTH	J24189017		1-	B	a1
R 1066	CHIPRES.	330	1/16W	5%	RMC1/16S 331JTH	J24189019		3-	B	a1
R 1067	CHIPRES.	470	1/16W	5%	RMC1/16S 471JTH	J24189021		1-	B	a1
R 1068	CHIPRES.	100k	1/16W	5%	RMC1/16S 104JTH	J24189049		1-	B	b2
R 1069	CHIPRES.	100k	1/16W	5%	RMC1/16S 104JTH	J24189049		1-	B	b2
R 1070	CHIPRES.	220k	1/16W	5%	RMC1/16S 224JTH	J24189053		1-	B	a2
R 1071	CHIPRES.	100	1/16W	5%	RMC1/16S 101JTH	J24189013		1-	B	a2
R 1072	CHIPRES.	100k	1/16W	5%	RMC1/16S 104JTH	J24189049		1-	A	B2
R 1073	CHIPRES.	100k	1/16W	5%	RMC1/16S 104JTH	J24189049		1-	A	B2
R 1074	CHIPRES.	220k	1/16W	5%	RMC1/16S 224JTH	J24189053		1-	A	B2
R 1075	CHIPRES.	100k	1/16W	5%	RMC1/16S 104JTH	J24189049		1-	A	B1
R 1076	CHIPRES.	100	1/16W	5%	RMC1/16S 101JTH	J24189013		1-	A	B2
R 1077	CHIPRES.	100k	1/16W	5%	RMC1/16S 104JTH	J24189049		1-	A	B1
R 1078	CHIPRES.	100k	1/16W	5%	RMC1/16S 104JTH	J24189049		1-	B	a1
R 1079	CHIPRES.	100	1/16W	5%	RMC1/16S 101JTH	J24189013		1-	A	B1
R 1080	CHIPRES.	56	1/16W	5%	RMC1/16S 560JTH	J24189010		1-	B	a1
R 1081	CHIPRES.	56k	1/16W	5%	RMC1/16S 563JTH	J24189046		1-	B	a1
R 1082	CHIPRES.	220	1/16W	5%	RMC1/16S 221JTH	J24189017		1-	A	B1
R 1083	CHIPRES.	220	1/16W	5%	RMC1/16S 221JTH	J24189017		1-	B	a1
R 1092	CHIPRES.	10k	1/16W	5%	RMC1/16S 103JTH	J24189037		1-	A	B4
R 1093	CHIPRES.	3.3k	1/16W	5%	RMC1/16S 332JTH	J24189031		1-	A	B4
R 1095	CHIPRES.	18k	1/16W	5%	RMC1/16S 183JTH	J24189040		1-	A	B3
R 1096	CHIPRES.	2.2k	1/16W	5%	RMC1/16S 222JTH	J24189029		1-	A	B4
R 1098	CHIPRES.	220	1/16W	5%	RMC1/16S 221JTH	J24189017		1-	B	a2
R 1099	CHIPRES.	220	1/16W	5%	RMC1/16S 221JTH	J24189017		1-	A	B2
R 1102	CHIPRES.	10k	1/16W	5%	RMC1/16S 103JTH	J24189037		1-	A	B3
R 1103	CHIPRES.	1k	1/16W	5%	RMC1/16S 102JTH	J24189025		1-	A	A2
R 1104	CHIPRES.	220k	1/16W	5%	RMC1/16S 224JTH	J24189053		1-	B	b3
R 1105	CHIPRES.	47	1/16W	5%	RMC1/16S 470JTH	J24189009		1-	B	b3
R 1106	CHIPRES.	100	1/16W	5%	RMC1/16S 101JTH	J24189013		1-	B	b3
R 1107	CHIPRES.	470	1/16W	5%	RMC1/16S 471JTH	J24189021		1-	B	a1
R 1110	CHIPRES.	470	1/16W	5%	RMC1/16S 471JTH	J24189021		1-	A	B1
R 1111	CHIPRES.	0	1/16W	5%	RMC1/16S JPTH	J24189070	VER.A2 DST:USA	1-		
R 1111	CHIPRES.	0	1/16W	5%	RMC1/16S JPTH	J24189070	VERSION A1	1-		
R 1111	CHIPRES.	0	1/16W	5%	RMC1/16S JPTH	J24189070	VERSION A2	1-		
R 1112	CHIPRES.	10k	1/16W	5%	RMC1/16S 103JTH	J24189037		1-	A	A2
R 1113	CHIPRES.	470	1/16W	5%	RMC1/16S 471JTH	J24189021		1-	A	A2
R 1114	CHIPRES.	330	1/16W	5%	RMC1/16S 331JTH	J24189019		1-	A	A2
R 1115	CHIPRES.	47	1/16W	5%	RMC1/16S 470JTH	J24189009		1-	A	A2
R 1116	CHIPRES.	100	1/16W	5%	RMC1/16S 101JTH	J24189013		1-	A	A2
R 1117	CHIPRES.	47	1/16W	5%	RMC1/16S 470JTH	J24189009		1-	A	A2
R 1119	CHIPRES.	47	1/16W	5%	RMC1/16S 470JTH	J24189009		1-	B	b3
R 1120	CHIPRES.	220	1/16W	5%	RMC1/16S 221JTH	J24189017		1-	B	a2
R 1121	CHIPRES.	100k	1/16W	5%	RMC1/16S 104JTH	J24189049		1-	B	a2
R 1125	CHIPRES.	1k	1/16W	5%	RMC1/16S 102JTH	J24189025		1-	A	B4
R 1126	CHIPRES.	10k	1/16W	5%	RMC1/16S 103JTH	J24189037		1-	A	B4
R 1127	CHIPRES.	220	1/16W	5%	RMC1/16S 221JTH	J24189017		1-	A	C2
R 1129	CHIPRES.	100k	1/16W	5%	RMC1/16S 104JTH	J24189049		1-	A	B2
R 1131	CHIPRES.	470	1/16W	5%	RMC1/16S 471JTH	J24189021		1-	A	A2
R 1132	CHIPRES.	100k	1/16W	5%	RMC1/16S 104JTH	J24189049		1-	A	A2
R 1133	CHIPRES.	10k	1/16W	5%	RMC1/16S 103JTH	J24189037		1-	B	b2
R 1134	CHIPRES.	180k	1/16W	5%	RMC1/16S 184JTH	J24189052		1-	A	A2
R 1134	CHIPRES.	220k	1/16W	5%	RMC1/16S 224JTH	J24189053		3-	A	A2
R 1137	CHIPRES.	100	1/16W	5%	RMC1/16S 101JTH	J24189013		1-	B	b3
R 1138	CHIPRES.	220k	1/16W	5%	RMC1/16S 224JTH	J24189053		1-	B	b3
R 1139	CHIPRES.	100	1/16W	5%	RMC1/16S 101JTH	J24189013		1-	B	a2
R 1143	CHIPRES.	220	1/16W	5%	RMC1/16S 221JTH	J24189017		1-	A	A4
R 1145	CHIPRES.	1k	1/16W	5%	RMC1/16S 102JTH	J24189025		1-	A	C3

REF.	DESCRIPTION	VALUE	V/W	TOL.	MFR'S DESIG	VXSTD P/N	VERS.	LOT.	SIDE	LAY ADR.
R 1146	CHIPRES.	10k	1/16W	5%	RMC1/16S 103JTH	J24189037		1-	A	C4
R 1147	CHIPRES.	100	1/16W	5%	RMC1/16S 101JTH	J24189013		1-	A	B2
R 1148	CHIPRES.	100k	1/16W	5%	RMC1/16S 104JTH	J24189049		1-	A	C3
R 1149	CHIPRES.	220	1/16W	5%	RMC1/16S 221JTH	J24189017		1-	B	b3
R 1150	CHIPRES.	330	1/16W	5%	RMC1/16S 331JTH	J24189019		1-	A	A2
R 1151	CHIPRES.	330k	1/16W	5%	RMC1/16S 334JTH	J24189055		1-	B	c2
R 1152	CHIPRES.	100	1/16W	5%	RMC1/16S 101JTH	J24189013		1-	B	c2
R 1153	CHIPRES.	100	1/16W	5%	RMC1/16S 101JTH	J24189013		1-	B	c2
R 1154	CHIPRES.	220	1/16W	5%	RMC1/16S 221JTH	J24189017		1-	A	B3
R 1155	CHIPRES.	100k	1/16W	5%	RMC1/16S 104JTH	J24189049		1-	A	B3
R 1157	CHIPRES.	3.3k	1/16W	5%	RMC1/16S 332JTH	J24189031		1-	A	A3
R 1160	CHIPRES.	0	1/16W	5%	RMC1/16S JPTH	J24189070		1-	A	B3
R 1161	CHIPRES.	330k	1/16W	5%	RMC1/16S 334JTH	J24189055		1-	B	b4
R 1162	CHIPRES.	3.3k	1/16W	5%	RMC1/16S 332JTH	J24189031		1-	B	b4
R 1165	CHIPRES.	22k	1/16W	5%	RMC1/16S 223JTH	J24189041		1-	A	B4
R 1169	CHIPRES.	3.3k	1/16W	5%	RMC1/16S 332JTH	J24189031		1-	A	A4
R 1170	CHIPRES.	22k	1/16W	5%	RMC1/16S 223JTH	J24189041		1-	A	C3
R 1171	CHIPRES.	330k	1/16W	5%	RMC1/16S 334JTH	J24189055		1-	A	C3
R 1172	CHIPRES.	3.3k	1/16W	5%	RMC1/16S 332JTH	J24189031		1-	A	C3
R 1173	CHIPRES.	100k	1/16W	5%	RMC1/16S 104JTH	J24189049		1-	B	b2
R 1174	CHIPRES.	47k	1/16W	5%	RMC1/16S 473JTH	J24189045		1-	B	b2
R 1175	CHIPRES.	4.7k	1/16W	5%	RMC1/16S 472JTH	J24189033		1-	B	c2
R 1176	CHIPRES.	100k	1/16W	5%	RMC1/16S 104JTH	J24189049		1-	B	c2
R 1177	CHIPRES.	150k	1/16W	5%	RMC1/16S 154JTH	J24189051		1-	A	A1
R 1179	CHIPRES.	470	1/16W	5%	RMC1/16S 471JTH	J24189021		1-	A	A2
R 1180	CHIPRES.	10k	1/16W	5%	RMC1/16S 103JTH	J24189037		1-	A	A3
R 1181	CHIPRES.	10k	1/16W	5%	RMC1/16S 103JTH	J24189037		1-	A	A3
R 1182	CHIPRES.	10k	1/16W	5%	RMC1/16S 103JTH	J24189037		1-	A	A3
R 1183	CHIPRES.	100k	1/16W	5%	RMC1/16S 104JTH	J24189049		1-	A	B3
R 1184	CHIPRES.	330k	1/16W	5%	RMC1/16S 334JTH	J24189055		1-	A	B3
R 1185	CHIPRES.	100k	1/16W	5%	RMC1/16S 104JTH	J24189049		1-	A	A3
R 1186	CHIPRES.	220	1/16W	5%	RMC1/16S 221JTH	J24189017		1-	A	A3
R 1187	CHIPRES.	10k	1/16W	5%	RMC1/16S 103JTH	J24189037		1-	B	b4
R 1188	CHIPRES.	1M	1/16W	5%	RMC1/16S 105JTH	J24189061		1-	A	B3
R 1189	CHIPRES.	680	1/16W	5%	RMC1/16S 681JTH	J24189023		1-	B	b4
R 1190	CHIPRES.	3.3k	1/16W	5%	RMC1/16S 332JTH	J24189031		1-	B	b4
R 1191	CHIPRES.	330k	1/16W	5%	RMC1/16S 334JTH	J24189055		1-	B	b4
R 1192	CHIPRES.	3.3k	1/16W	5%	RMC1/16S 332JTH	J24189031		1-	B	b4
R 1193	CHIPRES.	4.7k	1/16W	5%	RMC1/16S 472JTH	J24189033		1-	B	b4
R 1194	CHIPRES.	100k	1/16W	5%	RMC1/16S 104JTH	J24189049		1-	A	A4
R 1195	CHIPRES.	10k	1/16W	5%	RMC1/16S 103JTH	J24189037		1-	B	b4
R 1196	CHIPRES.	10k	1/16W	5%	RMC1/16S 103JTH	J24189037		1-	A	C3
R 1197	CHIPRES.	680	1/16W	5%	RMC1/16S 681JTH	J24189023		1-	B	a3
R 1199	CHIPRES.	330k	1/16W	5%	RMC1/16S 334JTH	J24189055		1-	B	a3
R 1200	CHIPRES.	3.3k	1/16W	5%	RMC1/16S 332JTH	J24189031		1-	B	a3
R 1201	CHIPRES.	1k	1/16W	5%	RMC1/16S 102JTH	J24189025		1-	A	C3
R 1202	CHIPRES.	3.3k	1/16W	5%	RMC1/16S 332JTH	J24189031		1-	B	a3
R 1203	CHIPRES.	1k	1/16W	5%	RMC1/16S 102JTH	J24189025		1-	B	a3
R 1204	CHIPRES.	15k	1/16W	5%	RMC1/16S 153JTH	J24189039		1-	B	a3
R 1205	CHIPRES.	3.3k	1/16W	5%	RMC1/16S 332JTH	J24189031		1-	A	C3
R 1207	CHIPRES.	2.2M	1/16W	5%	RMC1/16S 225JTH	J24189065		1-	A	A3
R 1211	CHIPRES.	470	1/16W	5%	RMC1/16S 471JTH	J24189021		1-	A	A3
R 1212	CHIPRES.	150	1/16W	5%	RMC1/16S 151JTH	J24189015		1-	A	A3
R 1213	CHIPRES.	1.2k	1/16W	5%	RMC1/16S 122JTH	J24189026		1-	A	A3
R 1214	CHIPRES.	1.5k	1/16W	5%	RMC1/16S 152JTH	J24189027		1-	A	A3
R 1215	CHIPRES.	1.8k	1/16W	5%	RMC1/16S 182JTH	J24189028		1-	A	A3
R 1217	CHIPRES.	3.3k	1/16W	5%	RMC1/16S 332JTH	J24189031		1-	A	A3
R 1218	CHIPRES.	2.2k	1/16W	5%	RMC1/16S 222JTH	J24189029		1-	A	A3
R 1220	CHIPRES.	1k	1/16W	5%	RMC1/16S 102JTH	J24189025		1-	B	b4
R 1221	CHIPRES.	100k	1/16W	5%	RMC1/16S 104JTH	J24189049		1-	B	b4

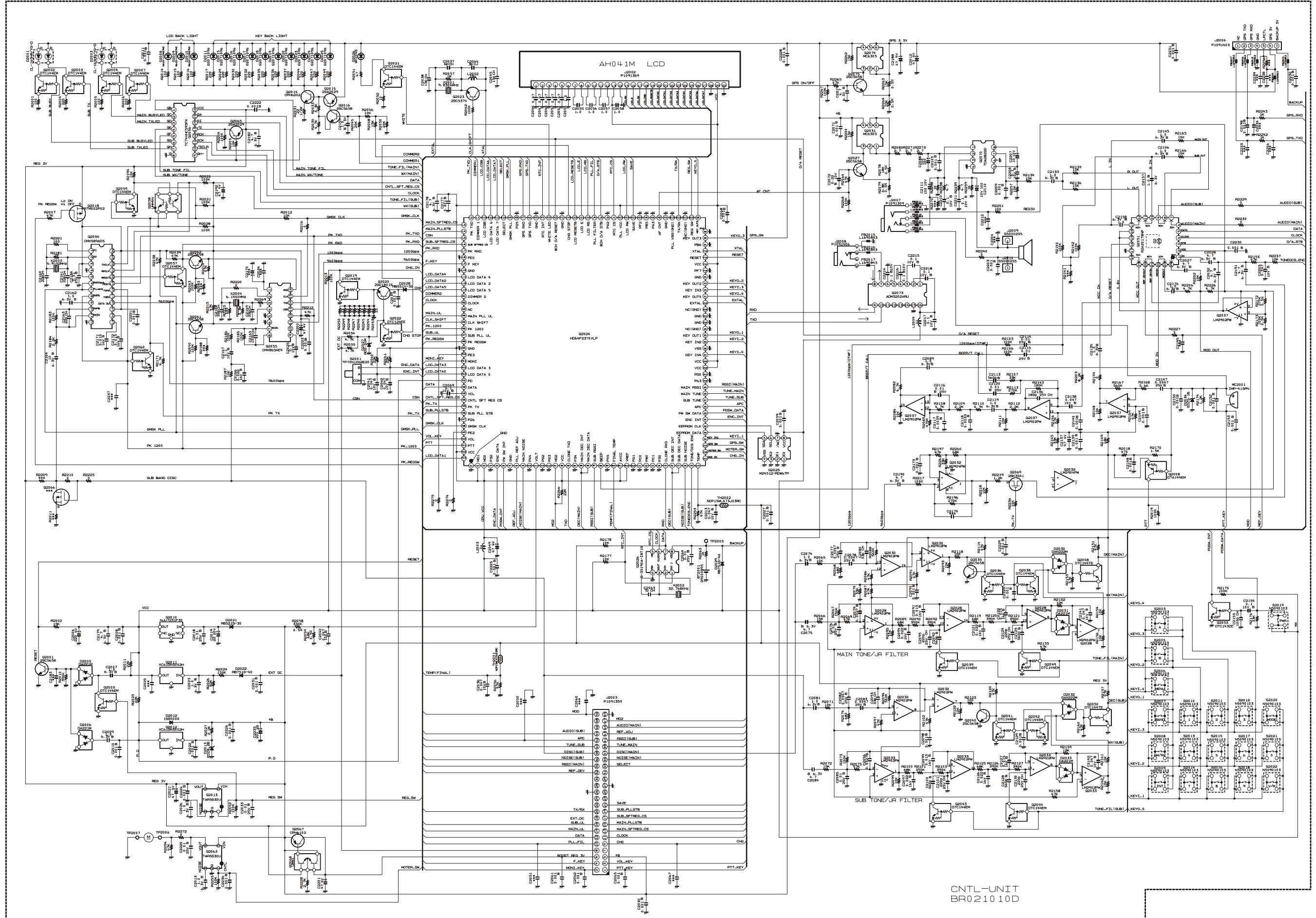
RF Unit

REF.	DESCRIPTION	VALUE	V/W	TOL.	MFR'S DESIG	VXSTD P/N	VERS.	LOT.	SIDE	LAY ADR.
R 1222	CHIPRES.	330k	1/16W	5%	RMC1/16S 334JTH	J24189055		1-	B	b4
R 1223	CHIPRES.	180k	1/16W	5%	RMC1/16S 184JTH	J24189052		1-	B	b4
R 1224	CHIPRES.	330k	1/16W	5%	RMC1/16S 334JTH	J24189055		1-	B	b4
R 1225	CHIPRES.	15k	1/16W	5%	RMC1/16S 153JTH	J24189039		1-	B	b4
R 1226	CHIPRES.	100k	1/16W	5%	RMC1/16S 104JTH	J24189049		1-	B	b4
R 1227	CHIPRES.	10k	1/16W	5%	RMC1/16S 103JTH	J24189037		1-	B	b4
R 1228	CHIPRES.	180k	1/16W	5%	RMC1/16S 184JTH	J24189052		1-	B	a3
R 1229	CHIPRES.	330k	1/16W	5%	RMC1/16S 334JTH	J24189055		1-	B	a3
R 1230	CHIPRES.	100k	1/16W	5%	RMC1/16S 104JTH	J24189049		1-	B	a3
R 1231	CHIPRES.	330k	1/16W	5%	RMC1/16S 334JTH	J24189055		1-	B	a3
R 1232	CHIPRES.	15k	1/16W	5%	RMC1/16S 153JTH	J24189039		1-	B	a3
R 1233	CHIPRES.	10k	1/16W	5%	RMC1/16S 103JTH	J24189037		1-	B	a3
R 1234	CHIPRES.	4.7k	1/16W	5%	RMC1/16S 472JTH	J24189033		1-	B	c1
R 1235	CHIPRES.	330	1/16W	5%	RMC1/16S 331JTH	J24189019		1-	A	A1
R 1239	CHIPRES.	100k	1/16W	5%	RMC1/16S 104JTH	J24189049		1-	B	b4
R 1240	CHIPRES.	100k	1/16W	5%	RMC1/16S 104JTH	J24189049		1-	B	a3
R 1241	CHIPRES.	100k	1/16W	5%	RMC1/16S 104JTH	J24189049		1-	B	a3
R 1242	CHIPRES.	3.3k	1/16W	5%	RMC1/16S 332JTH	J24189031		1-	A	A1
R 1243	CHIPRES.	330	1/16W	5%	RMC1/16S 331JTH	J24189019		1-	B	b1
R 1245	CHIPRES.	390k	1/16W	0.5%	MCR01MZPD3903	J24189331		1-	A	A3
R 1248	CHIPRES.	18k	1/16W	5%	RMC1/16S 183JTH	J24189040		1-	A	B2
R 1249	CHIPRES.	4.7k	1/16W	5%	RMC1/16S 472JTH	J24189033		1-	A	B3
R 1250	CHIPRES.	1k	1/16W	5%	RMC1/16S 102JTH	J24189025		1-	A	B2
R 1251	CHIPRES.	4.7k	1/16W	5%	RMC1/16S 472JTH	J24189033		1-	A	B3
R 1253	CHIPRES.	470k	1/16W	5%	RMC1/16S 474JTH	J24189057		1-	B	b4
R 1254	CHIPRES.	470k	1/16W	5%	RMC1/16S 474JTH	J24189057		1-	B	a4
R 1255	CHIPRES.	2.7k	1/16W	5%	RMC1/16S 272JTH	J24189030		1-	B	b4
R 1256	CHIPRES.	100	1/16W	5%	RMC1/16S 101JTH	J24189013		1-	B	b4
R 1257	CHIPRES.	2.7k	1/16W	5%	RMC1/16S 272JTH	J24189030		1-	B	a4
R 1258	CHIPRES.	10k	1/16W	5%	RMC1/16S 103JTH	J24189037		1-	B	b4
R 1259	CHIPRES.	10k	1/16W	5%	RMC1/16S 103JTH	J24189037		1-	B	a4
R 1260	CHIPRES.	33k	1/16W	5%	RMC1/16S 333JTH	J24189043		1-	B	b4
R 1261	CHIPRES.	33k	1/16W	5%	RMC1/16S 333JTH	J24189043		1-	B	a4
R 1262	CHIPRES.	47	1/16W	5%	RMC1/16S 470JTH	J24189009		1-	B	a3
R 1263	CHIPRES.	10k	1/16W	5%	RMC1/16S 103JTH	J24189037		1-	B	b2
R 1264	CHIPRES.	10k	1/16W	5%	RMC1/16S 103JTH	J24189037		1-	B	b2
R 1265	CHIPRES.	3.3k	1/16W	5%	RMC1/16S 332JTH	J24189031		1-	A	A1
R 1267	CHIPRES.	220	1/16W	5%	RMC1/16S 221JTH	J24189017		1-	A	A1
R 1268	CHIPRES.	10k	1/16W	5%	RMC1/16S 103JTH	J24189037		1-	A	A2
R 1269	CHIPRES.	10k	1/16W	5%	RMC1/16S 103JTH	J24189037		1-	A	C2
R 1270	CHIPRES.	100k	1/16W	5%	RMC1/16S 104JTH	J24189049		1-	B	c4
R 1271	CHIPRES.	1k	1/16W	5%	RMC1/16S 102JTH	J24189025		1-	A	A2
R 1272	CHIPRES.	10k	1/16W	5%	RMC1/16S 103JTH	J24189037		1-	A	C2
R 1273	CHIPRES.	1k	1/16W	5%	RMC1/16S 102JTH	J24189025		1-	A	C2
R 1275	CHIPRES.	150k	1/16W	5%	RMC1/16S 154JTH	J24189051		1-	B	b4
R 1276	CHIPRES.	2.2M	1/16W	5%	RMC1/16S 225JTH	J24189065		1-	B	b4
R 1277	CHIPRES.	2.2M	1/16W	5%	RMC1/16S 225JTH	J24189065		1-	B	a4
R 1278	CHIPRES.	1.5k	1/16W	5%	RMC1/16S 152JTH	J24189027		1-	B	c4
R 1279	CHIPRES.	10k	1/16W	5%	RMC1/16S 103JTH	J24189037		1-	B	b4
R 1280	CHIPRES.	1.5k	1/16W	5%	RMC1/16S 152JTH	J24189027		1-	B	a4
R 1281	CHIPRES.	150k	1/16W	5%	RMC1/16S 154JTH	J24189051		1-	B	a4
R 1282	CHIPRES.	10k	1/16W	5%	RMC1/16S 103JTH	J24189037		1-	B	a4
R 1283	CHIPRES.	4.7k	1/16W	5%	RMC1/16S 472JTH	J24189033		1-	A	A1
R 1296	CHIPRES.	1k	1/16W	5%	RMC1/16S 102JTH	J24189025		1-	A	A2
R 1298	CHIPRES.	10k	1/16W	5%	RMC1/16S 103JTH	J24189037		1-	A	A3
R 1299	CHIPRES.	2.2M	1/16W	5%	RMC1/16S 225JTH	J24189065		1-	A	A3
R 1300	CHIPRES.	2.2M	1/16W	5%	RMC1/16S 225JTH	J24189065		1-	A	A3
R 1301	CHIPRES.	390k	1/16W	0.5%	MCR01MZPD3903	J24189331		1-	A	A3
R 1302	CHIPRES.	4.7	1/16W	5%	RMC1/16S 4R7JTH	J24189066		1-	A	C2
R 1303	CHIPRES.	22	1/16W	5%	RMC1/16S 220JTH	J24189005		1-	A	C2

REF.	DESCRIPTION	VALUE	V/W	TOL.	MFR'S DESIG	VXSTD P/N	VERS.	LOT.	SIDE	LAY ADR.
R 1306	CHIPRES.	56	1/16W	5%	RMC1/16S 560JTH	J24189010		1-	B	b1
R 1311	CHIPRES.	330	1/16W	5%	RMC1/16S 331JTH	J24189019		1-	A	B2
R 1314	CHIPRES.	0	1/16W	5%	RMC1/16S JPTH	J24189070		1-	A	A1
R 1315	CHIPRES.	10k	1/16W	5%	RMC1/16S 103JTH	J24189037		1-	A	A2
R 1318	CHIPRES.	0	1/16W	5%	RMC1/16S JPTH	J24189070		1-	A	B3
R 1319	CHIPRES.	220k	1/16W	5%	RMC1/16S 224JTH	J24189053		1-	A	A1
R 1320	CHIPRES.	22k	1/16W	5%	RMC1/16S 223JTH	J24189041		1-	B	c2
R 1321	CHIPRES.	680k	1/16W	5%	RMC1/16S 684JTH	J24189059		1-	A	A3
R 1322	CHIPRES.	680k	1/16W	5%	RMC1/16S 684JTH	J24189059		1-	A	B4
R 1324	CHIPRES.	0	1/16W	5%	RMC1/16S JPTH	J24189070		1-	A	A3
R 1325	CHIPRES.	6.8M	1/16W	5%	MCR01MZSJ685	J24189327		1-	A	A3
R 1331	CHIPRES.	33k	1/16W	5%	RMC1/16S 333JTH	J24189043		1-	B	b3
R 1332	CHIPRES.	33k	1/16W	5%	RMC1/16S 333JTH	J24189043		1-	B	a3
R 1333	CHIPRES.	10k	1/16W	5%	RMC1/16S 103JTH	J24189037		1-	B	b2
R 1334	CHIPRES.	1k	1/16W	5%	RMC1/16S 102JTH	J24189025		1-	B	b2
R 1335	CHIPRES.	47k	1/16W	5%	RMC1/16S 473JTH	J24189045		1-	B	b2
R 1336	CHIPRES.	10k	1/16W	5%	RMC1/16S 103JTH	J24189037		1-	A	B2
R 1337	CHIPRES.	1k	1/16W	5%	RMC1/16S 102JTH	J24189025		1-	A	B2
R 1338	CHIPRES.	47k	1/16W	5%	RMC1/16S 473JTH	J24189045		1-	A	B2
R 1339	CHIPRES.	100	1/16W	5%	RMC1/16S 101JTH	J24189013		3-	A	A2
R 1340	CHIPRES.	220	1/16W	5%	RMC1/16S 221JTH	J24189017		1-	A	A2
R 1341	CHIPRES.	0	1/16W	5%	RMC1/16S JPTH	J24189070		1-	A	C2
S 1001	TACT SWITCH				PT-036-B2SA-T	N5090170		1-	A	A1
S 1002	TACT SWITCH				PT-036-B2SA-T	N5090170		1-	A	A2
S 1003	TACT SWITCH				PT-036-B2SA-T	N5090170		1-	A	A2
S 1004	TACT SWITCH				PT-036-B2SA-T	N5090170		1-	A	A3
S 1005	SLIDE SWITCH				SSSS813501	N6090113		1-	B	b4
TH1001	THERMISTOR				ERTJ1VV473J	G9090122		1-	B	c2
TH1002	THERMISTOR				TN05-3M154JR	G9090171		1-	B	c2
X 1001	XTAL XV00117	11.7MHZ			11.7MHZ	H0103330A		1-	A	A3
XF1001	XTAL FILTER				47S15A 47.25MHZ	H1102411		1-	B	a1
XF1002	XTAL FILTER				46S15A2 46.35MHZ	H1102461		1-	A	C2

RF Unit

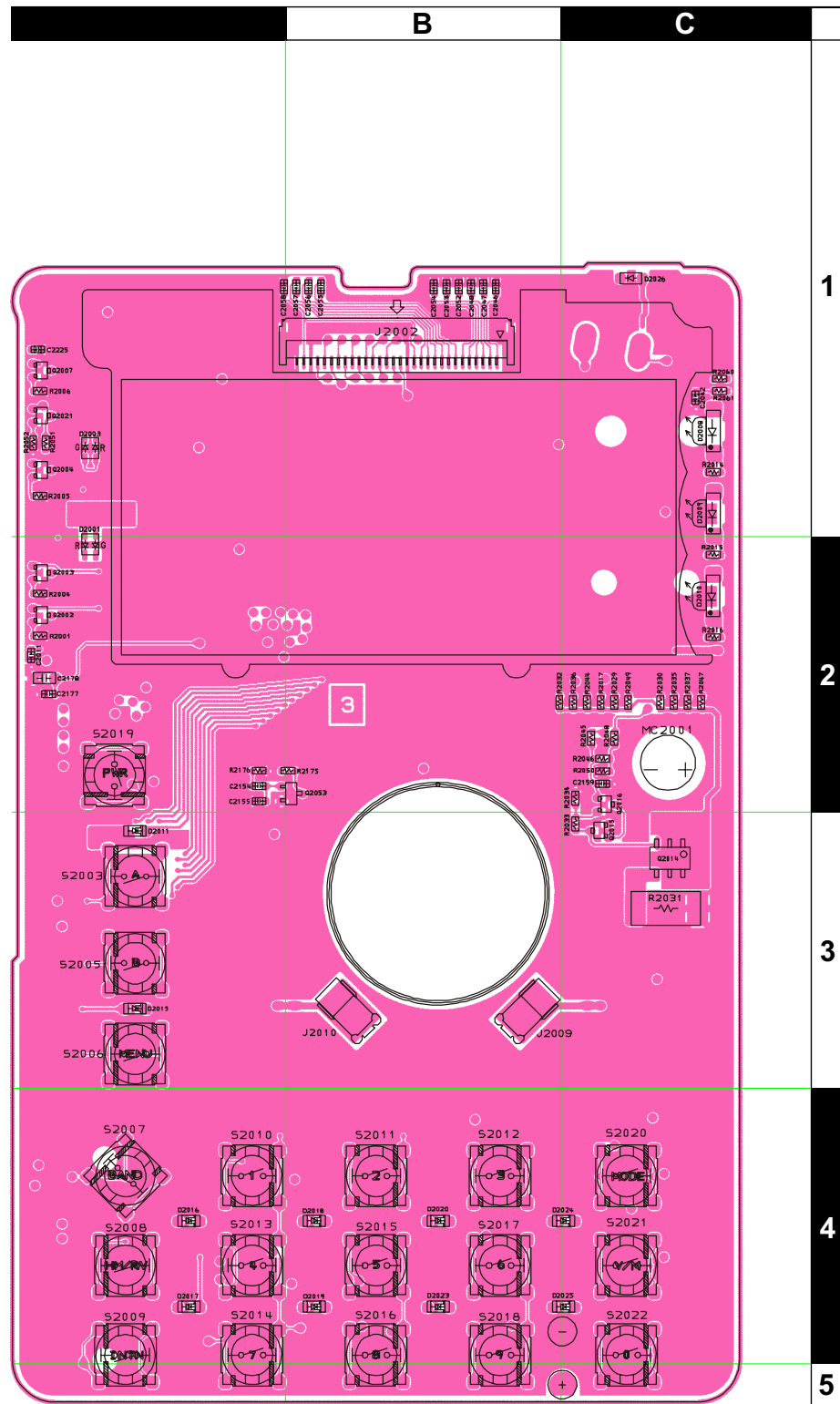
Note



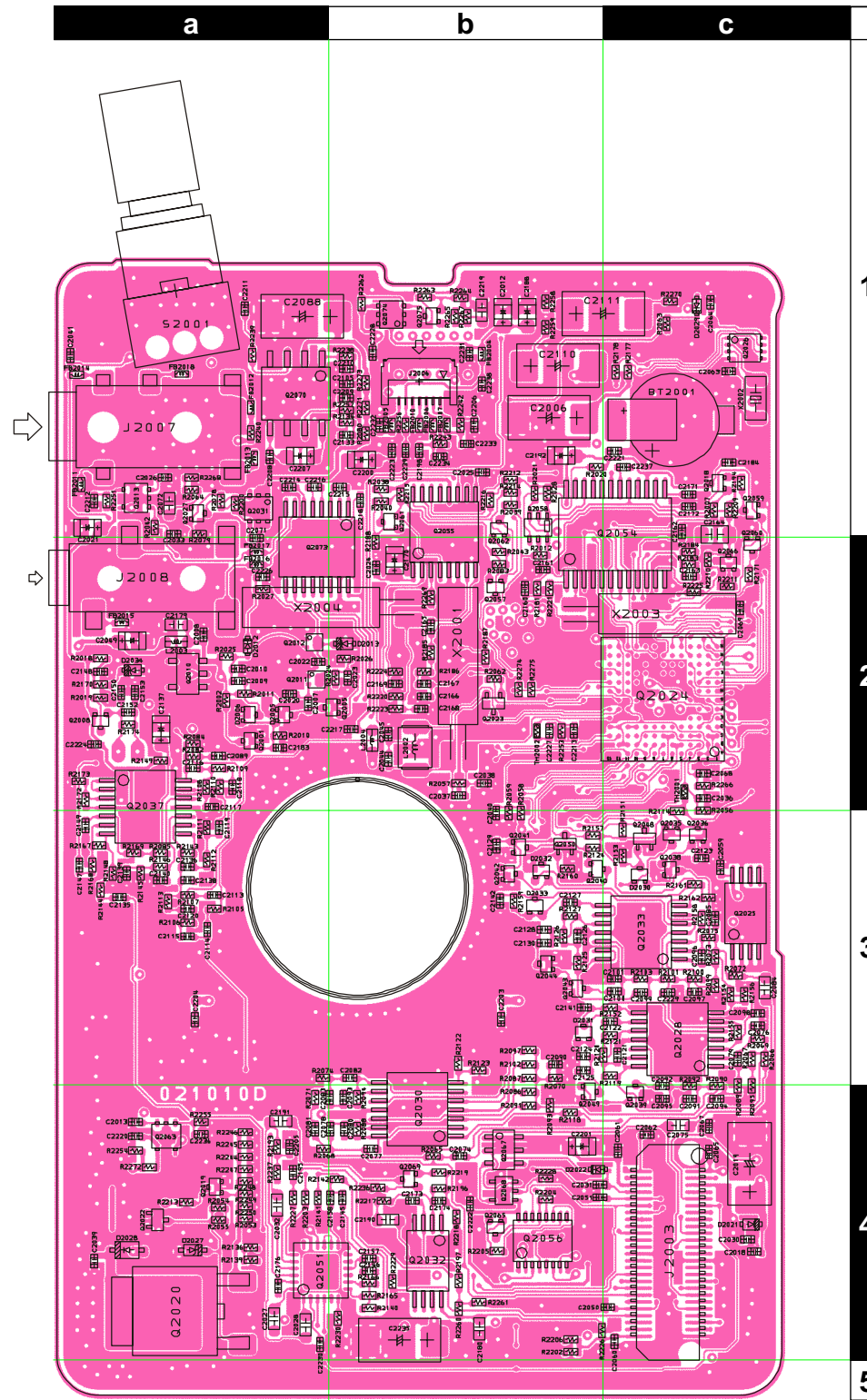
CNTL-UNIT
BR0210 10D

CNTL Unit

Parts Layout



Side A



Side B

- Collector
Base Emitter
2SC5658
(Q2001, 2016, 2027, 2035, 2040, 2061, 2062, 2075)
2SC5374 (NA)
(Q2023)
- Collector
Base Emitter
2SD1801S
(Q2020)
- Collector
Base Emitter
DTC143ZE (E23)
(Q2053)
- Collector
Base Emitter
DTC124EE (25)
(Q2022)
- Collector
Base Emitter
2SA2029 (F+)
(Q2015, 2065, 2077)
- Collector
Base Emitter
DTC144EM (26)
(Q2002, 2003, 2004, 2005, 2007, 2019, 2021, 2036, 2038, 2039, 2041, 2042, 2043, 2044, 2049, 2057, 2059, 2060)
- Collector
Base Emitter
DTA144EM (16)
(Q2008)
- Vin Vout
CONTROL GND NOISE
TAR5S30U (3V0)
(Q2013, 2063)
- NC NC
GND Vout Vin
NJU7231F30-TE1
(Q2010)
- Vin Vout
XC61GN3002HR
(Q2011, 2012)
- Collector
Emmitter
Base
Collector
CPH6202-TL
(Q2014)
- Drain
Gate Source
RTM002P02
(Q2018, 2076)
2SK3541
(Q 2069, 2078)
- Collector
Base Emitter
CMX589AD5
(Q2054)
- Pin 24
Pin 12
Pin 1
HD64F2370VLP34V
(Q2024)
- Pin 8
Pin 4
Pin 1
M24512-RDW6TP
(Q2025)
- Pin 16
Pin 8
Pin 1
S-35190A-I8T1G
(Q2026)
- Pin 16
Pin 8
Pin 1
LM2904PWR
(Q2032)
- Pin 16
Pin 8
Pin 1
LM2902PWR
(Q2028, 2030, 2033, 2037)
- Pin 16
Pin 8
Pin 1
CMX865AE4
(Q2055)
- Pin 16
Pin 8
Pin 1
TC74VHC595FK
(Q2056)
- Pin 16
Pin 8
Pin 1
TDA2822D013TR
(Q2070)
- Drain
Source
Gate
Drain
MCH6305-TL
(Q2031, 2074)
- Collector
Base Emitter
DTC144TE (96)
(Q2048, 2050)
- Pin 24
Pin 19
Pin 18
Pin 13
Pin 12
Pin 7
Pin 6
Pin 1
R2A20178NP
(Q2051)
- Base 2
Collector 1
Emmitter 2
Emmitter 1
Collector 2
Base 1
UMH4N
(Q2058)
- Collector
Emmitter
Base
Collector
CPH6102-TL
(Q2067)
- Emmitter Common
Base 1
Base 2
Collector 1
Collector 2
UMW1(W1)
(Q2068)
- Pin 8
Pin 4
Pin 1
DA221 (K)
(D2005, 2006, 2031, 2033)
- Cathode 1,2
Anode 1
Anode 2
DAN222 (N)
(D2030, 2032)

Parts List

REF.	DESCRIPTION	VALUE	V/W	TOL.	MFR'S DESIG	VXSTD P/N	VERS.	LOT.	SIDE	LAY ADR.
PCB with Components						CB5033002	VERSION A2, DST:USA			
						CB5033003	VERSION A1, DST:EXP			
						CB5033004	VERSION A2, DST:EXP			
						CB5033005	VERSION A3, DST:EXP			
	Printed Circuit Board					BR021010D		1-		
BT2001	LI-ION BATTERY				ML614R-TT31	Q9000895		1-	B	c1
C 2006	CHIP TA.CAP.	220uF	4V		TEESVC0G227M12R	K78060053		1-	B	b1
C 2007	CHIP CAP.	1uF	6.3V	B	GRM155B30J105KE18D	K22088803		1-	B	a2
C 2008	CHIP CAP.	0.001uF	50V	B	GRM155B11H102KA01D	K22178809		1-	B	a2
C 2009	CHIP CAP.	1uF	6.3V	B	GRM155B30J105KE18D	K22088803		1-	B	a2
C 2010	CHIP CAP.	0.001uF	50V	B	GRM155B11H102KA01D	K22178809		1-	B	a2
C 2011	CHIP CAP.	0.001uF	50V	B	GRM155B11H102KA01D	K22178809		1-	A	A2
C 2012	CHIP TA.CAP.	47uF	4V		TEESVP0G476M8R	K78060050		1-	B	b1
C 2013	CHIP CAP.	1uF	6.3V	B	GRM155B30J105KE18D	K22088803		1-	B	a4
C 2018	CHIP CAP.	0.01uF	25V	B	GRM155B11E103KA01D	K22148834		1-	B	c4
C 2019	CHIP TA.CAP.	22uF	20V		TEMSVC1D226M12R	K78130030		1-	B	c4
C 2021	CHIP TA.CAP.	47uF	4V		TEESVP0G476M8R	K78060050		1-	B	a1
C 2022	CHIP CAP.	0.001uF	50V	B	GRM155B11H102KA01D	K22178809		1-	B	a2
C 2023	CHIP CAP.	1uF	6.3V	B	GRM155B30J105KE18D	K22088803		1-	B	b2
C 2025	CHIP CAP.	0.1uF	10V	B	GRM155B11A104KA01D	K22108802		1-	B	b1
C 2026	CHIP CAP.	1uF	6.3V	B	GRM155B30J105KE18D	K22088803		1-	B	a1
C 2027	CHIP CAP.	4.7uF	6.3V	B	JMK107BJ475MA-T	K22084803		1-	B	a4
C 2028	CHIP CAP.	4.7uF	6.3V	B	JMK107BJ475MA-T	K22084803		1-	B	a4
C 2030	CHIP CAP.	0.001uF	50V	B	GRM155B11H102KA01D	K22178809		1-	B	c4
C 2031	CHIP CAP.	0.001uF	50V	B	GRM155B11H102KA01D	K22178809		1-	B	b4
C 2032	CHIP CAP.	4.7uF	6.3V	B	JMK107BJ475MA-T	K22084803		1-	B	a4
C 2033	CHIP CAP.	0.01uF	25V	B	GRM155B11E103KA01D	K22148834		1-	B	a1
C 2036	CHIP CAP.	0.047uF	10V	B	GRM155B11A473KA01D	K22108801		1-	B	c2
C 2037	CHIP CAP.	6pF	50V	CH	UMK105CH060DV-F	K22178254		1-	B	b2
C 2038	CHIP CAP.	15pF	50V	CH	GRM1552C1H150JZ01D	K22178216		1-	B	b2
C 2039	CHIP CAP.	0.001uF	50V	B	GRM155B11H102KA01D	K22178809		1-	B	a4
C 2040	CHIP CAP.	0.047uF	10V	B	GRM155B11A473KA01D	K22108801		1-	B	b3
C 2041	CHIP CAP.	0.047uF	10V	B	GRM155B11A473KA01D	K22108801		1-	B	a1
C 2042	CHIP CAP.	0.047uF	10V	B	GRM155B11A473KA01D	K22108801		1-	A	C1
C 2044	CHIP CAP.	3pF	50V	CJ	UMK105CJ030CV-F	K22178251		1-	B	b2
C 2045	CHIP CAP.	15pF	50V	CH	GRM1552C1H150JZ01D	K22178216		1-	B	b2
C 2046	CHIP CAP.	0.47uF	6.3V	B	GRM155B30J474KE18D	K22088802		1-	A	B1
C 2047	CHIP CAP.	0.47uF	6.3V	B	GRM155B30J474KE18D	K22088802		1-	A	B1
C 2048	CHIP CAP.	0.47uF	6.3V	B	GRM155B30J474KE18D	K22088802		1-	A	B1
C 2049	CHIP TA.CAP.	47uF	4V		TEESVP0G476M8R	K78060050		1-	B	a2
C 2052	CHIP CAP.	0.47uF	6.3V	B	GRM155B30J474KE18D	K22088802		1-	A	B1
C 2053	CHIP CAP.	0.47uF	6.3V	B	GRM155B30J474KE18D	K22088802		1-	A	B1
C 2054	CHIP CAP.	1uF	6.3V	B	GRM155B30J105KE18D	K22088803		1-	A	B1
C 2055	CHIP CAP.	1uF	6.3V	B	GRM155B30J105KE18D	K22088803		1-	A	B1
C 2056	CHIP CAP.	1uF	6.3V	B	GRM155B30J105KE18D	K22088803		1-	A	B1
C 2057	CHIP CAP.	1uF	6.3V	B	GRM155B30J105KE18D	K22088803		1-	A	B1
C 2058	CHIP CAP.	1uF	6.3V	B	GRM155B30J105KE18D	K22088803		1-	A	A1
C 2059	CHIP CAP.	0.001uF	50V	B	GRM155B11H102KA01D	K22178809		1-	B	c3
C 2061	CHIP CAP.	0.001uF	50V	B	GRM155B11H102KA01D	K22178809		1-	B	c4
C 2062	CHIP CAP.	0.001uF	50V	B	GRM155B11H102KA01D	K22178809		1-	B	c4
C 2063	CHIP CAP.	7pF	50V	CH	GRM1552C1H7R0DZ01D	K22178209		1-	B	c1
C 2064	CHIP CAP.	0.01uF	25V	B	GRM155B11E103KA01D	K22148834		1-	B	c1
C 2065	CHIP CAP.	0.001uF	50V	B	GRM155B11H102KA01D	K22178809		1-	B	c4
C 2068	CHIP CAP.	0.001uF	50V	B	GRM155B11H102KA01D	K22178809		1-	B	c2
C 2069	CHIP CAP.	0.1uF	10V	B	GRM155B11A104KA01D	K22108802		1-	B	c2
C 2071	CHIP CAP.	0.001uF	50V	B	GRM155B11H102KA01D	K22178809		1-	B	a1
C 2072	CHIP CAP.	0.22uF	10V	B	GRM188B11A224KA01D	K22104801		1-	B	a1
C 2074	CHIP CAP.	1uF	6.3V	B	GRM155B30J105KE18D	K22088803		1-	B	b4
C 2075	CHIP CAP.	4.7uF	6.3V	B	JMK107BJ475MA-T	K22084803		1-	B	c4
C 2076	CHIP CAP.	0.01uF	25V	B	GRM155B11E103KA01D	K22148834		1-	B	c3

CNTL Unit

REF.	DESCRIPTION	VALUE	V/W	TOL.	MFR'S DESIG	VXSTD P/N	VERS.	LOT.	SIDE	LAY ADR.
C 2077	CHIP CAP.	0.0047uF	25V	B	TMK105B472KW-F	K22148831		1-	B	b4
C 2078	CHIP CAP.	0.0047uF	25V	B	TMK105B472KW-F	K22148831		1-	B	a4
C 2079	CHIP CAP.	0.0027uF	50V	B	UMK105B272KW-F	K22178834		1-	B	c3
C 2080	CHIP CAP.	33pF	50V	CH	GRM1552C1H330JZ01D	K22178224		1-	B	b4
C 2081	CHIP CAP.	1uF	6.3V	B	GRM155B30J105KE18D	K22088803		1-	B	a4
C 2082	CHIP CAP.	0.0047uF	25V	B	TMK105B472KW-F	K22148831		1-	B	b3
C 2083	CHIP CAP.	0.0047uF	25V	B	TMK105B472KW-F	K22148831		1-	B	a4
C 2084	CHIP CAP.	4.7uF	6.3V	B	JMK107BJ475MA-T	K22084803		1-	B	c3
C 2085	CHIP CAP.	0.01uF	25V	B	GRM155B11E103KA01D	K22148834		1-	B	c3
C 2088	CHIP TA.CAP.	100uF	16V		TMCMC1C107MTRF	K78120098		1-	B	a1
C 2089	CHIP CAP.	1uF	6.3V	B	GRM155B30J105KE18D	K22088803		1-	B	a2
C 2090	CHIP CAP.	0.001uF	50V	B	GRM155B11H102KA01D	K22178809		1-	B	b3
C 2091	CHIP CAP.	0.015uF	16V	B	GRM155B11C153KA01D	K22128807		1-	B	c4
C 2092	CHIP CAP.	560pF	50V	B	UMK105B561KW-F	K22178826		1-	B	c3
C 2093	CHIP CAP.	33pF	50V	CH	GRM1552C1H330JZ01D	K22178224		1-	B	b4
C 2094	CHIP CAP.	0.022uF	16V	B	GRM155B11C223KA01D	K22128806		1-	B	c4
C 2095	CHIP CAP.	220pF	25V	CH	TMK105CH221JV-F	K22148246		1-	B	c4
C 2096	CHIP CAP.	0.0027uF	50V	B	UMK105B272KW-F	K22178834		1-	B	c3
C 2097	CHIP CAP.	0.022uF	16V	B	GRM155B11C223KA01D	K22128806		1-	B	c3
C 2098	CHIP CAP.	0.001uF	50V	B	GRM155B11H102KA01D	K22178809		1-	B	c3
C 2099	CHIP CAP.	0.015uF	16V	B	GRM155B11C153KA01D	K22128807		1-	B	c3
C 2100	CHIP CAP.	560pF	50V	B	UMK105B561KW-F	K22178826		1-	B	c3
C 2101	CHIP CAP.	220pF	25V	CH	TMK105CH221JV-F	K22148246		1-	B	c3
C 2105	CHIP CAP.	0.001uF	50V	B	GRM155B11H102KA01D	K22178809		1-	B	b1
C 2110	CHIP TA.CAP.	100uF	10V		TEESVC21A107M12R	K78100079		1-	B	b1
C 2111	CHIP TA.CAP.	100uF	10V		TEESVC21A107M12R	K78100079		1-	B	b1
C 2113	CHIP CAP.	560pF	50V	B	GRM155B11H561KD01	K22178806		1-	B	a3
C 2114	CHIP CAP.	0.01uF	25V	B	GRM155B11E103KA01D	K22148834		1-	B	a3
C 2115	CHIP CAP.	0.01uF	25V	B	GRM155B11E103KA01D	K22148834		1-	B	a3
C 2116	CHIP CAP.	0.01uF	25V	B	GRM155B11E103KA01D	K22148834		1-	B	a2
C 2117	CHIP CAP.	0.0039uF	50V	B	UMK105B392KW-F	K22178836		1-	B	a2
C 2118	CHIP CAP.	0.0033uF	50V	B	GRM155B11H332KA01D	K22178815		1-	B	a2
C 2119	CHIP CAP.	1uF	6.3V	B	GRM155B30J105KE18D	K22088803		1-	B	a3
C 2120	CHIP CAP.	0.01uF	25V	B	GRM155B11E103KA01D	K22148834		1-	B	a3
C 2121	CHIP CAP.	0.022uF	16V	B	GRM155B11C223KA01D	K22128806		1-	B	c3
C 2122	CHIP CAP.	0.015uF	16V	B	GRM155B11C153KA01D	K22128807		1-	B	c3
C 2123	CHIP CAP.	0.001uF	50V	B	GRM155B11H102KA01D	K22178809		1-	B	c3
C 2124	CHIP CAP.	220pF	25V	CH	TMK105CH221JV-F	K22148246		1-	B	b3
C 2125	CHIP CAP.	560pF	50V	B	UMK105B561KW-F	K22178826		1-	B	b3
C 2126	CHIP CAP.	0.022uF	16V	B	GRM155B11C223KA01D	K22128806		1-	B	b3
C 2127	CHIP CAP.	0.015uF	16V	B	GRM155B11C153KA01D	K22128807		1-	B	b3
C 2128	CHIP CAP.	560pF	50V	B	UMK105B561KW-F	K22178826		1-	B	b3
C 2129	CHIP CAP.	0.001uF	50V	B	GRM155B11H102KA01D	K22178809		1-	B	b3
C 2130	CHIP CAP.	220pF	25V	CH	TMK105CH221JV-F	K22148246		1-	B	b3
C 2133	CHIP CAP.	1uF	6.3V	B	GRM155B30J105KE18D	K22088803		1-	B	b1
C 2135	CHIP CAP.	1uF	6.3V	B	GRM155B30J105KE18D	K22088803		1-	B	a3
C 2136	CHIP CAP.	180pF	25V	CH	TMK105CH181JV-F	K22148244		1-	B	a3
C 2137	CHIP TA.CAP.	47uF	4V		TEESVP0G476M8R	K78060050		1-	B	a2
C 2138	CHIP CAP.	0.047uF	10V	B	GRM155B11A473KA01D	K22108801		1-	B	a3
C 2139	CHIP CAP.	0.001uF	50V	B	GRM155B11H102KA01D	K22178809		1-	B	a3
C 2140	CHIP CAP.	0.001uF	50V	B	GRM155B11H102KA01D	K22178809		1-	B	a3
C 2141	CHIP CAP.	0.047uF	10V	B	GRM155B11A473KA01D	K22108801		1-	B	b3
C 2142	CHIP CAP.	0.047uF	10V	B	GRM155B11A473KA01D	K22108801		1-	B	b3
C 2145	CHIP CAP.	1uF	6.3V	B	GRM155B30J105KE18D	K22088803		1-	B	b4
C 2146	CHIP CAP.	1uF	6.3V	B	GRM155B30J105KE18D	K22088803		1-	B	b4
C 2147	CHIP CAP.	0.0047uF	25V	B	TMK105B472KW-F	K22148831		1-	B	a3
C 2148	CHIP CAP.	0.001uF	50V	B	GRM155B11H102KA01D	K22178809		1-	B	a2
C 2149	CHIP CAP.	0.001uF	50V	B	GRM155B11H102KA01D	K22178809		1-	B	a3
C 2150	CHIP CAP.	0.001uF	50V	B	GRM155B11H102KA01D	K22178809		1-	B	a2
C 2152	CHIP CAP.	0.001uF	50V	B	GRM155B11H102KA01D	K22178809		1-	B	a2

REF.	DESCRIPTION	VALUE	V/W	TOL.	MFR'S DESIG	VXSTD P/N	VERS.	LOT.	SIDE	LAY ADR.
C 2153	CHIP CAP.	0.001uF	50V	B	GRM155B11H102KA01D	K22178809		1-	B	a2
C 2154	CHIP CAP.	0.1uF	10V	B	GRM155B11A104KA01D	K22108802		1-	A	A2
C 2155	CHIP CAP.	100pF	50V	CH	GRM1552C1H101JD01D	K22178236		1-	A	A2
C 2157	CHIP CAP.	1uF	6.3V	B	GRM155B30J105KE18D	K22088803		1-	B	b4
C 2158	CHIP CAP.	1uF	6.3V	B	GRM155B30J105KE18D	K22088803		1-	B	a4
C 2159	CHIP CAP.	1uF	6.3V	B	GRM155B30J105KE18D	K22088803		1-	A	C2
C 2160	CHIP CAP.	22pF	50V	CH	GRM1552C1H220JZ01D	K22178220		1-	B	b2
C 2161	CHIP CAP.	22pF	50V	CH	GRM1552C1H220JZ01D	K22178220		1-	B	b2
C 2162	CHIP CAP.	1uF	6.3V	B	GRM155B30J105KE18D	K22088803		1-	B	c1
C 2163	CHIP CAP.	22pF	50V	CH	GRM1552C1H220JZ01D	K22178220		1-	B	c2
C 2164	CHIP CAP.	10uF	6.3V	B	JMK212BJ106KG-T	K22080802		1-	B	c1
C 2165	CHIP CAP.	100pF	50V	CH	GRM1552C1H101JD01D	K22178236		1-	B	b2
C 2166	CHIP CAP.	0.022uF	16V	B	GRM155B11C223KA01D	K22128806		1-	B	b2
C 2167	CHIP CAP.	0.1uF	10V	B	GRM155B11A104KA01D	K22108802		1-	B	b2
C 2168	CHIP CAP.	22pF	50V	CH	GRM1552C1H220JZ01D	K22178220		1-	B	b2
C 2169	CHIP CAP.	22pF	50V	CH	GRM1552C1H220JZ01D	K22178220		1-	B	b2
C 2171	CHIP CAP.	0.015uF	16V	B	GRM155B11C153KA01D	K22128807		1-	B	c1
C 2172	CHIP CAP.	0.015uF	16V	B	GRM155B11C153KA01D	K22128807		1-	B	c1
C 2173	CHIP CAP.	0.001uF	50V	B	GRM155B11H102KA01D	K22178809		1-	B	b4
C 2176	CHIP CAP.	1uF	6.3V	B	GRM155B30J105KE18D	K22088803		1-	B	a4
C 2177	CHIP CAP.	0.001uF	50V	B	GRM155B11H102KA01D	K22178809		1-	A	A2
C 2178	CHIP CAP.	4.7uF	6.3V	B	JMK107BJ475MA-T	K22084803		1-	A	A2
C 2179	CHIP CAP.	4.7uF	6.3V	B	JMK107BJ475MA-T	K22084803		1-	B	a2
C 2180	CHIP CAP.	4.7uF	6.3V	B	JMK107BJ475MA-T	K22084803		1-	B	b4
C 2184	CHIP CAP.	0.01uF	25V	B	GRM155B11E103KA01D	K22148834		1-	B	c1
C 2188	CHIP TA.CAP.	47uF	4V		TEESVP0G476M8R	K78060050		1-	B	b1
C 2190	CHIP CAP.	4.7uF	6.3V	B	JMK107BJ475MA-T	K22084803		1-	B	b4
C 2191	CHIP CAP.	4.7uF	6.3V	B	JMK107BJ475MA-T	K22084803		1-	B	a4
C 2192	CHIP TA.CAP.	47uF	4V		TEESVP0G476M8R	K78060050		1-	B	b1
C 2198	CHIP CAP.	0.001uF	50V	B	GRM155B11H102KA01D	K22178809		1-	B	b1
C 2200	CHIP TA.CAP.	47uF	4V		TEESVP0G476M8R	K78060050		1-	B	b1
C 2201	CHIP TA.CAP.	47uF	4V		TEESVP0G476M8R	K78060050		1-	B	b4
C 2203	CHIP CAP.	0.001uF	50V	B	GRM155B11H102KA01D	K22178809		1-	B	b3
C 2205	CHIP CAP.	0.047uF	10V	B	GRM155B11A473KA01D	K22108801		1-	B	a4
C 2207	CHIP TA.CAP.	10uF	10V		TEESVP1A106M8R	K78100074		1-	B	a1
C 2208	CHIP CAP.	0.1uF	10V	B	GRM155B11A104KA01D	K22108802		1-	B	a1
C 2209	CHIP CAP.	0.001uF	50V	B	GRM155B11H102KA01D	K22178809		1-	B	b1
C 2210	CHIP CAP.	0.1uF	10V	B	GRM155B11A104KA01D	K22108802		1-	B	b1
C 2211	CHIP CAP.	0.1uF	10V	B	GRM155B11A104KA01D	K22108802		1-	B	a1
C 2213	CHIP CAP.	0.047uF	10V	B	GRM155B11A473KA01D	K22108801		1-	B	b2
C 2214	CHIP CAP.	0.1uF	10V	B	GRM155B11A104KA01D	K22108802		1-	B	a1
C 2215	CHIP CAP.	0.1uF	10V	B	GRM155B11A104KA01D	K22108802		1-	B	b1
C 2216	CHIP CAP.	0.1uF	10V	B	GRM155B11A104KA01D	K22108802		1-	B	a1
C 2217	CHIP CAP.	0.1uF	10V	B	GRM155B11A104KA01D	K22108802		1-	B	b2
C 2218	CHIP CAP.	0.1uF	10V	B	GRM155B11A104KA01D	K22108802		1-	B	b1
C 2219	CHIP CAP.	4.7uF	6.3V	B	C1608JBOJ475KT	K22084804		1-	B	b1
C 2220	CHIP CAP.	0.01uF	25V	B	GRM155B11E103KA01D	K22148834		1-	B	a4
C 2221	CHIP CAP.	0.001uF	50V	B	GRM155B11H102KA01D	K22178809		1-	B	c1
C 2222	CHIP CAP.	0.001uF	50V	B	GRM155B11H102KA01D	K22178809		1-	B	b4
C 2223	CHIP CAP.	0.001uF	50V	B	GRM155B11H102KA01D	K22178809		1-	B	b1
C 2224	CHIP CAP.	0.001uF	50V	B	GRM155B11H102KA01D	K22178809		1-	B	a2
C 2225	CHIP CAP.	0.001uF	50V	B	GRM155B11H102KA01D	K22178809		1-	A	A1
C 2226	CHIP CAP.	0.001uF	50V	B	GRM155B11H102KA01D	K22178809		1-	B	a2
C 2227	CHIP CAP.	0.001uF	50V	B	GRM155B11H102KA01D	K22178809		1-	B	b2
C 2228	CHIP CAP.	0.001uF	50V	B	GRM155B11H102KA01D	K22178809		1-	B	b1
C 2229	CHIP CAP.	0.001uF	50V	B	GRM155B11H102KA01D	K22178809		1-	B	c3
C 2230	CHIP CAP.	0.001uF	50V	B	GRM155B11H102KA01D	K22178809		1-	B	a4
C 2231	CHIP CAP.	0.001uF	50V	B	GRM155B11H102KA01D	K22178809		1-	B	b1
C 2232	CHIP CAP.	0.001uF	50V	B	GRM155B11H102KA01D	K22178809		1-	B	b1
C 2235	CHIP TA.CAP.	22uF	20V		TEMSVC1D226M12R	K78130030		1-	B	b4

CNTL Unit

REF.	DESCRIPTION	VALUE	V/W	TOL.	MFR'S DESIG	VXSTD P/N	VERS.	LOT.	SIDE	LAY ADR.
C 2236	CHIP CAP.	0.001uF	50V	B	GRM155B11H102KA01D	K22178809		1-	B	a4
D 2001	LED				CL-165HR/YG-D-T	G2070860		1-	A	A2
D 2003	LED				CL-165HR/YG-D-T	G2070860		1-	A	A1
D 2005	DIODE				DA221M T2L	G2070940		1-	B	a2
D 2006	DIODE				DA221M T2L	G2070940		1-	B	a2
D 2008	LED				MA10-1104Q7NC-WK	G2070878		1-	A	C1
D 2009	LED				MA10-1104Q7NC-WK	G2070878		1-	A	C1
D 2010	LED				MA10-1104Q7NC-WK	G2070878		1-	A	C2
D 2011	LED				19-213/S2C-AN1P2B/3T	G2071096		1-	A	A3
D 2012	DIODE				1SS400G T2R	G2070934		1-	B	a2
D 2013	DIODE				EDZ TE-61 8.2B	G2071188		1-	B	b2
D 2015	LED				19-213/S2C-AN1P2B/3T	G2071096		1-	A	A3
D 2016	LED				19-213/S2C-AN1P2B/3T	G2071096		1-	A	A4
D 2017	LED				19-213/S2C-AN1P2B/3T	G2071096		1-	A	A4
D 2018	LED				19-213/S2C-AN1P2B/3T	G2071096		1-	A	B4
D 2019	LED				19-213/S2C-AN1P2B/3T	G2071096		1-	A	B4
D 2020	LED				19-213/S2C-AN1P2B/3T	G2071096		1-	A	B4
D 2021	DIODE				RB521S-30 TE61	G2070642		1-	B	c4
D 2022	DIODE				RB751G-40T2R	G2071066		1-	B	b4
D 2023	LED				19-213/S2C-AN1P2B/3T	G2071096		1-	A	B4
D 2024	LED				19-213/S2C-AN1P2B/3T	G2071096		1-	A	C4
D 2025	LED				19-213/S2C-AN1P2B/3T	G2071096		1-	A	C4
D 2026	LED				WH104S(TAPE)	G2071174		1-	A	C1
D 2027	DIODE				RD2.0UM-T2	G2070190		1-	B	a4
D 2028	DIODE				RB551V-30 TE-17	G2070892		1-	B	a4
D 2029	DIODE				RB751G-40T2R	G2071066		1-	B	c1
D 2030	DIODE				DAN222M T2L	G2070936		1-	B	c3
D 2031	DIODE				DA221M T2L	G2070940		1-	B	b3
D 2032	DIODE				DAN222M T2L	G2070936		1-	B	b3
D 2033	DIODE				DA221M T2L	G2070940		1-	B	b3
D 2034	DIODE				EDZ TE-61 5.1B	G2070998		1-	B	a2
DS2001	LCD MODULE				S70010FPNNU00	Q7000614A		1-		
FB2004	FERRITE BEADS				BLM15AG121SN1D	L1690843		1-	B	b1
FB2005	FERRITE BEADS				BLM15AG121SN1D	L1690843		1-	B	b1
FB2006	FERRITE BEADS				BLM15AG121SN1D	L1690843		1-	B	b1
FB2007	FERRITE BEADS				BLM15AG121SN1D	L1690843		1-	B	b1
FB2010	FERRITE BEADS				BLM15AG121SN1D	L1690843		1-	B	b1
FB2011	FERRITE BEADS				BLM15AG121SN1D	L1690843		1-	B	a1
FB2012	FERRITE BEADS				BLM15AG121SN1D	L1690843		1-	B	a1
FB2013	FERRITE BEADS				BLM15AG121SN1D	L1690843		1-	B	a1
FB2014	FERRITE BEADS				BLM15AG121SN1D	L1690843		1-	B	a1
FB2015	FERRITE BEADS				BLM15AG121SN1D	L1690843		1-	B	a2
FB2016	FERRITE BEADS				BLM15AG121SN1D	L1690843		1-	B	a2
FB2017	FERRITE BEADS				BLM15AG121SN1D	L1690843		1-	B	a2
FB2018	FERRITE BEADS				BLM15AG121SN1D	L1690843		1-	B	a1
J 2002	CONNECTOR				XF2U-3015-3A	P1091369		1-	A	B1
J 2003	CONNECTOR				AXK5S50037YG	P1091359		1-	B	c4
J 2006	CONNECTOR				XF2W-0715-1A	P1091403		1-	B	b1
J 2007	CONNECTOR				MJC-046-C1-3.5-T	P1091309		1-	B	a1
J 2008	CONNECTOR				EJ-2526M-GP	P1091406		1-	B	a2
J 2009	SHIELD FINGER				1674954-1	S5000255		1-	A	B3
J 2010	SHIELD FINGER				1674954-1	S5000255		1-	A	B3
L 2002	M.RFC	18uH			FLC32T-180J	L1690218		1-	B	b2
L 2003	M.RFC	1uH			LK1608 1R0K-T	L1690687		1-	B	a2
L 2004	M.RFC	1uH			LK1608 1R0K-T	L1690687		1-	B	b2
MC2001	MICROPHONE ELEMENT				IMP-415PN	M3290054		1-	A	C2
Q 2001	TRANSISTOR				2SC5658 T2L Q/R	G3356588		1-	B	a2
Q 2002	TRANSISTOR				DTC144EM T2L	G3070309		1-	A	A2
Q 2003	TRANSISTOR				DTC144EM T2L	G3070309		1-	A	A2
Q 2004	TRANSISTOR				DTC144EM T2L	G3070309		1-	A	A1

REF.	DESCRIPTION	VALUE	V/W	TOL.	MFR'S DESIG	VXSTD P/N	VERS.	LOT.	SIDE	LAY ADR.
Q 2005	TRANSISTOR				DTC144EM T2L	G3070309		1-	B	b2
Q 2007	TRANSISTOR				DTC144EM T2L	G3070309		1-	A	A1
Q 2008	TRANSISTOR				DTA144EM T2L	G3070310		1-	B	a2
Q 2010	IC				NJU7231F30-TE1	G1093512		1-	B	a2
Q 2011	IC				XC61GN3002HR	G1094470		1-	B	a2
Q 2012	IC				XC61GN3002HR	G1094470		1-	B	a2
Q 2013	IC				TAR5S30U(TE85L.F)	G1094596		1-	B	a1
Q 2014	TRANSISTOR				CPH6202-TL	G3070265		1-	A	C3
Q 2015	TRANSISTOR				2SA2029 T2L Q/R	G3120298		1-	A	C3
Q 2016	TRANSISTOR				2SC5658 T2L Q/R	G3356588		1-	A	C2
Q 2018	FET				RTM002P02(TAPE)	G3070347		1-	B	c1
Q 2019	TRANSISTOR				DTC144EM T2L	G3070309		1-	B	a4
Q 2020	TRANSISTOR				2SD1801S-TL	G3418018S		1-	B	a4
Q 2021	TRANSISTOR				DTC144EM T2L	G3070309		1-	A	A1
Q 2022	TRANSISTOR				DTC124EE TL	G3070109		1-	B	a4
Q 2023	TRANSISTOR				2SC5374-TL	G3353748		1-	B	b2
Q 2024	IC				HD64F2370VLP34V	※		1-	B	c2
Q 2025	IC				M24512-RDW6TP	G1094562		1-	B	c3
Q 2026	IC				S-35190A-I8T1G	G1094590		1-	B	c1
Q 2027	TRANSISTOR				2SC5658 T2L Q/R	G3356588		1-	B	a1
Q 2028	IC				LM2902PWR	G1094009		1-	B	c3
Q 2030	IC				LM2902PWR	G1094009		1-	B	b4
Q 2031	FET				MCH6305-TL	G3070301		1-	B	a1
Q 2032	IC				LM2904PWR	G1094010		1-	B	b4
Q 2033	IC				LM2902PWR	G1094009		1-	B	c3
Q 2035	TRANSISTOR				2SC5658 T2L Q/R	G3356588		1-	B	c3
Q 2036	TRANSISTOR				DTC144EM T2L	G3070309		1-	B	c3
Q 2037	IC				LM2902PWR	G1094009		1-	B	a2
Q 2038	TRANSISTOR				DTC144EM T2L	G3070309		1-	B	c3
Q 2039	TRANSISTOR				DTC144EM T2L	G3070309		1-	B	c4
Q 2040	TRANSISTOR				2SC5658 T2L Q/R	G3356588		1-	B	b3
Q 2041	TRANSISTOR				DTC144EM T2L	G3070309		1-	B	b3
Q 2042	TRANSISTOR				DTC144EM T2L	G3070309		1-	B	b3
Q 2043	TRANSISTOR				DTC144EM T2L	G3070309		1-	B	b3
Q 2044	TRANSISTOR				DTC144EM T2L	G3070309		1-	B	b3
Q 2048	TRANSISTOR				DTC144TE-TL	G3070280		1-	B	c3
Q 2049	TRANSISTOR				DTC144EM T2L	G3070309		1-	B	b4
Q 2050	TRANSISTOR				DTC144TE-TL	G3070280		1-	B	b3
Q 2051	IC				R2A20178NP	G1094776		1-	B	a4
Q 2053	TRANSISTOR				DTC143ZE TL	G3070102		1-	A	B2
Q 2054	IC				CMX589AD5	G1094597		1-	B	c1
Q 2055	IC				CMX865AE4	G1094617		1-	B	b1
Q 2056	IC				TC74VHC595FK(EL,K)	G1094552		1-	B	b4
Q 2057	TRANSISTOR				DTC144EM T2L	G3070309		1-	B	b2
Q 2058	TRANSISTOR				UMH4NTN	G3070399		1-	B	b1
Q 2059	TRANSISTOR				DTC144EM T2L	G3070309		1-	B	c1
Q 2060	TRANSISTOR				DTC144EM T2L	G3070309		1-	B	c2
Q 2061	TRANSISTOR				2SC5658 T2L Q/R	G3356588		1-	B	b1
Q 2062	TRANSISTOR				2SC5658 T2L Q/R	G3356588		1-	B	b1
Q 2063	IC				TAR5S30U(TE85L.F)	G1094596		1-	B	a4
Q 2065	TRANSISTOR				2SA2029 T2L Q/R	G3120298		1-	B	b4
Q 2067	TRANSISTOR				CPH6102-TL	G3070223		1-	B	b4
Q 2068	TRANSISTOR				UMW1 TR	G3070078		1-	B	b4
Q 2069	FET				2SK3541 T2L	G3835417		1-	B	b4
Q 2070	IC				TDA2822D013TR	G1091542		1-	B	a1
Q 2073	IC				ADM3202ARU	G1094022		1-	B	a2
Q 2074	FET				MCH6305-TL	G3070301		1-	B	b1
Q 2075	TRANSISTOR				2SC5658 T2L Q/R	G3356588		1-	B	b1
Q 2076	FET				RTM002P02(TAPE)	G3070347		7-		
Q 2077	TRANSISTOR				2SA2029 T2L Q/R	G3120298		7-		

CNTL Unit

REF.	DESCRIPTION	VALUE	V/W	TOL.	MFR'S DESIG	VXSTD P/N	VERS.	LOT.	SIDE	LAY ADR.
Q 2078	FET				2SK3541 T2L	G3835417		7-		
R 2001	CHIPRES.	100	1/16W	5%	RMC1/16S 101JTH	J24189013		1-	A	A2
R 2002	CHIPRES.	15k	1/16W	5%	RMC1/16S 153JTH	J24189039		1-	B	a2
R 2004	CHIPRES.	220	1/16W	5%	RMC1/16S 221JTH	J24189017		1-	A	A2
R 2005	CHIPRES.	100	1/16W	5%	RMC1/16S 101JTH	J24189013		1-	A	A1
R 2006	CHIPRES.	220	1/16W	5%	RMC1/16S 221JTH	J24189017		1-	A	A1
R 2007	CHIPRES.	47k	1/16W	5%	RMC1/16S 473JTH	J24189045		1-	B	c1
R 2010	CHIPRES.	390k	1/16W	5%	RMC1/16S 394JTH	J24189056		1-	B	a2
R 2011	CHIPRES.	22k	1/16W	5%	RMC1/16S 223JTH	J24189041		1-	B	a2
R 2012	CHIPRES.	10k	1/16W	5%	RMC1/16S 103JTH	J24189037		1-	B	b2
R 2014	CHIPRES.	100	1/16W	5%	RMC1/16S 101JTH	J24189013		1-	A	C1
R 2015	CHIPRES.	100	1/16W	5%	RMC1/16S 101JTH	J24189013		1-	A	C2
R 2016	CHIPRES.	100	1/16W	5%	RMC1/16S 101JTH	J24189013		1-	A	C2
R 2017	CHIPRES.	220	1/16W	5%	RMC1/16S 221JTH	J24189017		1-	A	C2
R 2018	CHIPRES.	470	1/16W	5%	RMC1/16S 471JTH	J24189021		1-	B	a2
R 2019	CHIPRES.	100k	1/16W	5%	RMC1/16S 104JTH	J24189049		1-	B	a2
R 2020	CHIPRES.	100k	1/16W	5%	RMC1/16S 104JTH	J24189049		1-	B	b1
R 2021	CHIPRES.	100k	1/16W	5%	RMC1/16S 104JTH	J24189049		1-	B	b1
R 2024	CHIPRES.	150k	1/16W	5%	RMC1/16S 154JTH	J24189051		1-	B	b2
R 2025	CHIPRES.	22k	1/16W	5%	RMC1/16S 223JTH	J24189041		1-	B	a2
R 2026	CHIPRES.	82k	1/16W	5%	RMC1/16S 823JTH	J24189048		1-	B	b2
R 2027	CHIPRES.	2.2k	1/16W	5%	RMC1/16S 222JTH	J24189029		1-	B	a2
R 2028	CHIPRES.	100k	1/16W	5%	RMC1/16S 104JTH	J24189049		1-	B	b1
R 2029	CHIPRES.	220	1/16W	5%	RMC1/16S 221JTH	J24189017		1-	A	C2
R 2030	CHIPRES.	220	1/16W	5%	RMC1/16S 221JTH	J24189017		1-	A	C2
R 2031	CHIPRES.	22	1/2W	5%	RMC1/2 220JCTP	J24275220		1-	A	C3
R 2032	CHIPRES.	220	1/16W	5%	RMC1/16S 221JTH	J24189017		1-	A	B2
R 2033	CHIPRES.	3.3k	1/16W	5%	RMC1/16S 332JTH	J24189031		1-	A	C3
R 2034	CHIPRES.	4.7k	1/16W	5%	RMC1/16S 472JTH	J24189033		1-	A	C2
R 2035	CHIPRES.	220	1/16W	5%	RMC1/16S 221JTH	J24189017		1-	A	C2
R 2036	CHIPRES.	220	1/16W	5%	RMC1/16S 221JTH	J24189017		1-	A	C2
R 2037	CHIPRES.	220	1/16W	5%	RMC1/16S 221JTH	J24189017		1-	A	C2
R 2038	CHIPRES.	47k	1/16W	5%	RMC1/16S 473JTH	J24189045		1-	B	b1
R 2039	CHIPRES.	47k	1/16W	5%	RMC1/16S 473JTH	J24189045		1-	B	b1
R 2040	CHIPRES.	100k	1/16W	5%	RMC1/16S 104JTH	J24189049		1-	B	b1
R 2042	CHIPRES.	100k	1/16W	5%	RMC1/16S 104JTH	J24189049		1-	B	a1
R 2043	CHIPRES.	100k	1/16W	5%	RMC1/16S 104JTH	J24189049		1-	B	b2
R 2044	CHIPRES.	220	1/16W	5%	RMC1/16S 221JTH	J24189017		1-	A	C2
R 2045	CHIPRES.	20k	1/16W	5%	RMC1/16S 203JTH	J24189455		1-	A	C2
R 2046	CHIPRES.	10k	1/16W	5%	RMC1/16S 103JTH	J24189037		1-	A	C2
R 2047	CHIPRES.	220	1/16W	5%	RMC1/16S 221JTH	J24189017		1-	A	C2
R 2048	CHIPRES.	15k	1/16W	5%	RMC1/16S 153JTH	J24189039		1-	A	C2
R 2049	CHIPRES.	220	1/16W	5%	RMC1/16S 221JTH	J24189017		1-	A	C2
R 2050	CHIPRES.	20k	1/16W	5%	RMC1/16S 203JTH	J24189455		1-	A	C2
R 2051	CHIPRES.	47	1/16W	5%	RMC1/16S 470JTH	J24189009		1-	A	A1
R 2052	CHIPRES.	10	1/16W	5%	RMC1/16S 100JTH	J24189001		1-	A	A1
R 2053	CHIPRES.	33	1/16W	5%	RMC1/16S 330JTH	J24189007		1-	B	a4
R 2054	CHIPRES.	4.7k	1/16W	5%	RMC1/16S 472JTH	J24189033		1-	B	a4
R 2055	CHIPRES.	4.7k	1/16W	5%	RMC1/16S 472JTH	J24189033		1-	B	a4
R 2056	CHIPRES.	47k	1/16W	5%	RMC1/16S 473JTH	J24189045		1-	B	c2
R 2057	CHIPRES.	1M	1/16W	5%	RMC1/16S 105JTH	J24189061		1-	B	b2
R 2058	CHIPRES.	330k	1/16W	0.5%	MCR01MZPD3303	J24189330		1-	B	b3
R 2059	CHIPRES.	68k	1/16W	0.5%	MCR01MZPD6802	J24189384		1-	B	b3
R 2060	CHIPRES.	22k	1/16W	5%	RMC1/16S 223JTH	J24189041		1-	A	C1
R 2061	CHIPRES.	22k	1/16W	5%	RMC1/16S 223JTH	J24189041		1-	A	C1
R 2062	CHIPRES.	100k	1/16W	5%	RMC1/16S 104JTH	J24189049		1-	B	b2
R 2063	CHIPRES.	1k	1/16W	5%	RMC1/16S 102JTH	J24189025		1-	B	c1
R 2064	CHIPRES.	47k	1/16W	5%	RMC1/16S 473JTH	J24189045		1-	B	a1
R 2065	CHIPRES.	10k	1/16W	5%	RMC1/16S 103JTH	J24189037		1-	B	b4
R 2066	CHIPRES.	15k	1/16W	5%	RMC1/16S 153JTH	J24189039		1-	B	c3

REF.	DESCRIPTION	VALUE	V/W	TOL.	MFR'S DESIG	VXSTD P/N	VERS.	LOT.	SIDE	LAY ADR.
R 2067	CHIPRES.	150k	1/16W	5%	RMC1/16S 154JTH	J24189051		1-	B	c3
R 2068	CHIPRES.	680	1/16W	5%	RMC1/16S 681JTH	J24189023		1-	B	a4
R 2069	CHIPRES.	47k	1/16W	5%	RMC1/16S 473JTH	J24189045		1-	B	c3
R 2070	CHIPRES.	33k	1/16W	5%	RMC1/16S 333JTH	J24189043		1-	B	b3
R 2071	CHIPRES.	10k	1/16W	5%	RMC1/16S 103JTH	J24189037		1-	B	a4
R 2072	CHIPRES.	15k	1/16W	5%	RMC1/16S 153JTH	J24189039		1-	B	c3
R 2073	CHIPRES.	150k	1/16W	5%	RMC1/16S 154JTH	J24189051		1-	B	c3
R 2074	CHIPRES.	680	1/16W	5%	RMC1/16S 681JTH	J24189023		1-	B	a3
R 2075	CHIPRES.	47k	1/16W	5%	RMC1/16S 473JTH	J24189045		1-	B	c3
R 2078	CHIPRES.	18k	1/16W	0.5%	MCR01MZPD1802	J24189377		1-	B	a1
R 2079	CHIPRES.	6.8k	1/16W	0.5%	MCR01MZPD6801	J24189372		1-	B	a1
R 2080	CHIPRES.	2.7	1/16W	5%	RMC1/16S 2R7JTH	J24189503		1-	B	b1
R 2082	CHIPRES.	4.7k	1/16W	5%	RMC1/16S 472JTH	J24189033		1-	B	a2
R 2084	CHIPRES.	10k	1/16W	5%	RMC1/16S 103JTH	J24189037		1-	B	a2
R 2085	CHIPRES.	470k	1/16W	5%	RMC1/16S 474JTH	J24189057		1-	B	a3
R 2086	CHIPRES.	47k	1/16W	5%	RMC1/16S 473JTH	J24189045		1-	B	b4
R 2087	CHIPRES.	47k	1/16W	5%	RMC1/16S 473JTH	J24189045		1-	B	b3
R 2088	CHIPRES.	560k	1/16W	5%	RMC1/16S 564JTH	J24189058		1-	B	b4
R 2089	CHIPRES.	68k	1/16W	5%	RMC1/16S 683JTH	J24189047		1-	B	c3
R 2090	CHIPRES.	390k	1/16W	5%	RMC1/16S 394JTH	J24189056		1-	B	c3
R 2091	CHIPRES.	47k	1/16W	5%	RMC1/16S 473JTH	J24189045		1-	B	b4
R 2092	CHIPRES.	390k	1/16W	5%	RMC1/16S 394JTH	J24189056		1-	B	c3
R 2093	CHIPRES.	10k	1/16W	5%	RMC1/16S 103JTH	J24189037		1-	B	b4
R 2094	CHIPRES.	560k	1/16W	5%	RMC1/16S 564JTH	J24189058		1-	B	b4
R 2095	CHIPRES.	10k	1/16W	5%	RMC1/16S 103JTH	J24189037		1-	B	c3
R 2097	CHIPRES.	47k	1/16W	5%	RMC1/16S 473JTH	J24189045		1-	B	b3
R 2099	CHIPRES.	10k	1/16W	5%	RMC1/16S 103JTH	J24189037		1-	B	c3
R 2100	CHIPRES.	68k	1/16W	5%	RMC1/16S 683JTH	J24189047		1-	B	c3
R 2101	CHIPRES.	390k	1/16W	5%	RMC1/16S 394JTH	J24189056		1-	B	c3
R 2102	CHIPRES.	47k	1/16W	5%	RMC1/16S 473JTH	J24189045		1-	B	b3
R 2103	CHIPRES.	390k	1/16W	5%	RMC1/16S 394JTH	J24189056		1-	B	c3
R 2105	CHIPRES.	100k	1/16W	5%	RMC1/16S 104JTH	J24189049		1-	B	a3
R 2106	CHIPRES.	100k	1/16W	5%	RMC1/16S 104JTH	J24189049		1-	B	a3
R 2107	CHIPRES.	33k	1/16W	5%	RMC1/16S 333JTH	J24189043		1-	B	a3
R 2108	CHIPRES.	4.7k	1/16W	5%	RMC1/16S 472JTH	J24189033		1-	B	a2
R 2109	CHIPRES.	2.2k	1/16W	5%	RMC1/16S 222JTH	J24189029		1-	B	a2
R 2110	CHIPRES.	4.7k	1/16W	5%	RMC1/16S 472JTH	J24189033		1-	B	a2
R 2111	CHIPRES.	10k	1/16W	5%	RMC1/16S 103JTH	J24189037		1-	B	a3
R 2112	CHIPRES.	2.2k	1/16W	5%	RMC1/16S 222JTH	J24189029		1-	B	a3
R 2113	CHIPRES.	270k	1/16W	5%	RMC1/16S 274JTH	J24189054		1-	B	a3
R 2114	CHIPRES.	47k	1/16W	5%	RMC1/16S 473JTH	J24189045		1-	B	c2
R 2118	CHIPRES.	10k	1/16W	5%	RMC1/16S 103JTH	J24189037		1-	B	b4
R 2119	CHIPRES.	68k	1/16W	5%	RMC1/16S 683JTH	J24189047		1-	B	c3
R 2120	CHIPRES.	390k	1/16W	5%	RMC1/16S 394JTH	J24189056		1-	B	b3
R 2121	CHIPRES.	390k	1/16W	5%	RMC1/16S 394JTH	J24189056		1-	B	c3
R 2122	CHIPRES.	10k	1/16W	5%	RMC1/16S 103JTH	J24189037		1-	B	b3
R 2123	CHIPRES.	10k	1/16W	5%	RMC1/16S 103JTH	J24189037		1-	B	b3
R 2124	CHIPRES.	47k	1/16W	5%	RMC1/16S 473JTH	J24189045		1-	B	b3
R 2125	CHIPRES.	68k	1/16W	5%	RMC1/16S 683JTH	J24189047		1-	B	b3
R 2126	CHIPRES.	390k	1/16W	5%	RMC1/16S 394JTH	J24189056		1-	B	b3
R 2127	CHIPRES.	390k	1/16W	5%	RMC1/16S 394JTH	J24189056		1-	B	b3
R 2134	CHIPRES.	10k	1/16W	5%	RMC1/16S 103JTH	J24189037		1-	B	b1
R 2136	CHIPRES.	10k	1/16W	5%	RMC1/16S 103JTH	J24189037		1-	B	a4
R 2139	CHIPRES.	10k	1/16W	5%	RMC1/16S 103JTH	J24189037		1-	B	a4
R 2140	CHIPRES.	100k	1/16W	5%	RMC1/16S 104JTH	J24189049		1-	B	b4
R 2142	CHIPRES.	100k	1/16W	5%	RMC1/16S 104JTH	J24189049		1-	B	b4
R 2143	CHIPRES.	180k	1/16W	5%	RMC1/16S 184JTH	J24189052		1-	B	a3
R 2144	CHIPRES.	0	1/16W	5%	RMC1/16S JPTH	J24189070		1-	B	a3
R 2145	CHIPRES.	33k	1/16W	5%	RMC1/16S 333JTH	J24189043		1-	B	a3
R 2146	CHIPRES.	47k	1/16W	5%	RMC1/16S 473JTH	J24189045		1-	B	a3

CNTL Unit

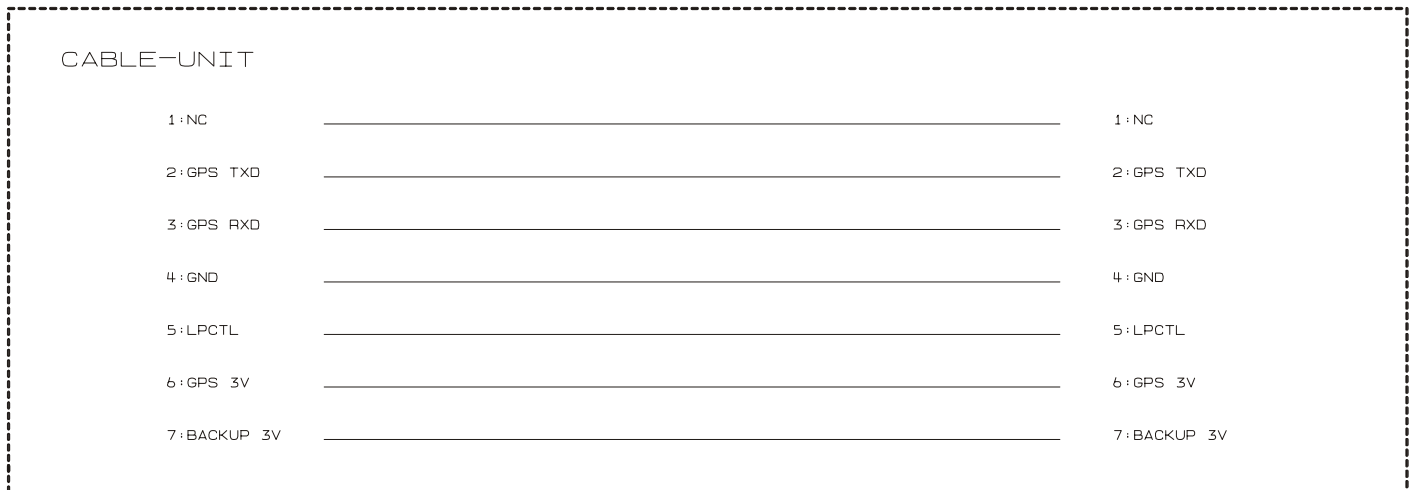
REF.	DESCRIPTION	VALUE	V/W	TOL.	MFR'S DESIG	VXSTD P/N	VERS.	LOT.	SIDE	LAY ADR.
R 2148	CHIPRES.	10k	1/16W	5%	RMC1/16S 103JTH	J24189037		1-	B	a3
R 2149	CHIPRES.	68k	1/16W	5%	RMC1/16S 683JTH	J24189047		1-	B	a2
R 2151	CHIPRES.	47k	1/16W	5%	RMC1/16S 473JTH	J24189045		1-	B	c3
R 2152	CHIPRES.	12k	1/16W	5%	RMC1/16S 123JTH	J24189038		1-	B	c3
R 2153	CHIPRES.	47k	1/16W	5%	RMC1/16S 473JTH	J24189045		1-	B	c3
R 2154	CHIPRES.	10k	1/16W	5%	RMC1/16S 103JTH	J24189037		1-	B	c3
R 2155	CHIPRES.	47k	1/16W	5%	RMC1/16S 473JTH	J24189045		1-	B	c3
R 2156	CHIPRES.	10k	1/16W	5%	RMC1/16S 103JTH	J24189037		1-	B	c3
R 2157	CHIPRES.	47k	1/16W	5%	RMC1/16S 473JTH	J24189045		1-	B	b3
R 2158	CHIPRES.	47k	1/16W	5%	RMC1/16S 473JTH	J24189045		1-	B	c3
R 2159	CHIPRES.	12k	1/16W	5%	RMC1/16S 123JTH	J24189038		1-	B	b3
R 2160	CHIPRES.	47k	1/16W	5%	RMC1/16S 473JTH	J24189045		1-	B	b3
R 2161	CHIPRES.	10k	1/16W	5%	RMC1/16S 103JTH	J24189037		1-	B	c3
R 2162	CHIPRES.	10k	1/16W	5%	RMC1/16S 103JTH	J24189037		1-	B	c3
R 2165	CHIPRES.	10k	1/16W	5%	RMC1/16S 103JTH	J24189037		1-	B	b4
R 2166	CHIPRES.	10k	1/16W	5%	RMC1/16S 103JTH	J24189037		1-	B	b4
R 2167	CHIPRES.	560k	1/16W	5%	RMC1/16S 564JTH	J24189058		1-	B	a3
R 2168	CHIPRES.	5.6k	1/16W	5%	RMC1/16S 562JTH	J24189034		1-	B	a3
R 2169	CHIPRES.	47k	1/16W	5%	RMC1/16S 473JTH	J24189045		1-	B	a3
R 2170	CHIPRES.	1.5k	1/16W	5%	RMC1/16S 152JTH	J24189027		1-	B	a2
R 2171	CHIPRES.	4.7k	1/16W	5%	RMC1/16S 472JTH	J24189033		1-	B	c2
R 2172	CHIPRES.	270k	1/16W	0.5%	MCR01MZPD2703	J24189329		1-	B	a2
R 2173	CHIPRES.	100k	1/16W	0.5%	RR0510R-104-D	J24189167		1-	B	a2
R 2174	CHIPRES.	1.2k	1/16W	5%	RMC1/16S 122JTH	J24189026		1-	B	a2
R 2175	CHIPRES.	100k	1/16W	5%	RMC1/16S 104JTH	J24189049		1-	A	B2
R 2176	CHIPRES.	33k	1/16W	5%	RMC1/16S 333JTH	J24189043		1-	A	A2
R 2177	CHIPRES.	10k	1/16W	5%	RMC1/16S 103JTH	J24189037		1-	B	c1
R 2178	CHIPRES.	10k	1/16W	5%	RMC1/16S 103JTH	J24189037		1-	B	c1
R 2181	CHIPRES.	1M	1/16W	5%	RMC1/16S 105JTH	J24189061		1-	B	b2
R 2183	CHIPRES.	100k	1/16W	5%	RMC1/16S 104JTH	J24189049		1-	B	c2
R 2184	CHIPRES.	2.2k	1/16W	5%	RMC1/16S 222JTH	J24189029		1-	B	c2
R 2185	CHIPRES.	100k	1/16W	5%	RMC1/16S 104JTH	J24189049		1-	B	b2
R 2186	CHIPRES.	100k	1/16W	5%	RMC1/16S 104JTH	J24189049		1-	B	b2
R 2187	CHIPRES.	10k	1/16W	5%	RMC1/16S 103JTH	J24189037		1-	B	b2
R 2193	CHIPRES.	47k	1/16W	5%	RMC1/16S 473JTH	J24189045		1-	B	a4
R 2194	CHIPRES.	10k	1/16W	5%	RMC1/16S 103JTH	J24189037		1-	B	c1
R 2196	CHIPRES.	270k	1/16W	5%	RMC1/16S 274JTH	J24189054		1-	B	b4
R 2197	CHIPRES.	47k	1/16W	5%	RMC1/16S 473JTH	J24189045		1-	B	b4
R 2200	CHIPRES.	15k	1/16W	5%	RMC1/16S 153JTH	J24189039		1-	B	a1
R 2202	CHIPRES.	10k	1/16W	5%	RMC1/16S 103JTH	J24189037		1-	B	b4
R 2203	CHIPRES.	8.2k	1/16W	5%	RMC1/16S 822JTH	J24189036		1-	B	a4
R 2204	CHIPRES.	100k	1/16W	5%	RMC1/16S 104JTH	J24189049		1-	B	b4
R 2205	CHIPRES.	10k	1/16W	5%	RMC1/16S 103JTH	J24189037		1-	B	b4
R 2206	CHIPRES.	4.7k	1/16W	5%	RMC1/16S 472JTH	J24189033		1-	B	b4
R 2210	CHIPRES.	0	1/16W	5%	RMC1/16S JPTH	J24189070		1-	B	c2
R 2212	CHIPRES.	47k	1/16W	5%	RMC1/16S 473JTH	J24189045		1-	B	b1
R 2213	CHIPRES.	100k	1/16W	5%	RMC1/16S 104JTH	J24189049		1-	B	a4
R 2214	CHIPRES.	47k	1/16W	5%	RMC1/16S 473JTH	J24189045		1-	B	b1
R 2215	CHIPRES.	47k	1/16W	5%	RMC1/16S 473JTH	J24189045		1-	B	b1
R 2216	CHIPRES.	0	1/16W	5%	RMC1/16S JPTH	J24189070		1-	B	b1
R 2217	CHIPRES.	100k	1/16W	5%	RMC1/16S 104JTH	J24189049		1-	B	b4
R 2218	CHIPRES.	10k	1/16W	5%	RMC1/16S 103JTH	J24189037		1-	B	b4
R 2219	CHIPRES.	1.2k	1/16W	5%	RMC1/16S 122JTH	J24189026		1-	B	b4
R 2220	CHIPRES.	0	1/16W	5%	RMC1/16S JPTH	J24189070		1-	B	b2
R 2221	CHIPRES.	100	1/16W	5%	RMC1/16S 101JTH	J24189013		1-	B	b2
R 2223	CHIPRES.	680	1/16W	5%	RMC1/16S 681JTH	J24189023		1-	B	b2
R 2224	CHIPRES.	3.3M	1/16W	5%	RMC1/16S 335JTH	J24189324		1-	B	b2
R 2225	CHIPRES.	0	1/16W	5%	RMC1/16S JPTH	J24189070		1-	B	c2
R 2226	CHIPRES.	4.7k	1/16W	5%	RMC1/16S 472JTH	J24189033		1-	B	b4
R 2227	CHIPRES.	0	1/16W	5%	RMC1/16S JPTH	J24189070		1-	B	a4

REF.	DESCRIPTION	VALUE	V/W	TOL.	MFR'S DESIG	VXSTD P/N	VERS.	LOT.	SIDE	LAY ADR.
R 2228	CHIPRES.	2.7k	1/16W	5%	RMC1/16S 272JTH	J24189030		1-	B	b4
R 2229	CHIPRES.	0	1/16W	5%	RMC1/16S JPTH	J24189070		1-	B	b4
R 2230	CHIPRES.	0	1/16W	5%	RMC1/16S JPTH	J24189070		1-	B	b4
R 2236	CHIPRES.	10k	1/16W	5%	RMC1/16S 103JTH	J24189037		1-	B	b4
R 2237	CHIPRES.	10k	1/16W	5%	RMC1/16S 103JTH	J24189037		1-	B	a4
R 2238	CHIPRES.	4.7	1/16W	5%	RMC1/16S 4R7JTH	J24189066		1-	B	b1
R 2239	CHIPRES.	4.7	1/16W	5%	RMC1/16S 4R7JTH	J24189066		1-	B	a1
R 2240	CHIPRES.	0	1/16W	5%	RMC1/16S JPTH	J24189070		1-	B	a1
R 2242	CHIPRES.	1k	1/16W	5%	RMC1/16S 102JTH	J24189025		1-	B	b1
R 2243	CHIPRES.	1k	1/16W	5%	RMC1/16S 102JTH	J24189025		1-	B	b1
R 2244	CHIPRES.	33	1/16W	5%	RMC1/16S 330JTH	J24189007		1-	B	a4
R 2245	CHIPRES.	33	1/16W	5%	RMC1/16S 330JTH	J24189007		1-	B	a4
R 2246	CHIPRES.	33	1/16W	5%	RMC1/16S 330JTH	J24189007		1-	B	a4
R 2247	CHIPRES.	33	1/16W	5%	RMC1/16S 330JTH	J24189007		1-	B	a4
R 2248	CHIPRES.	33	1/16W	5%	RMC1/16S 330JTH	J24189007		1-	B	a4
R 2249	CHIPRES.	33	1/16W	5%	RMC1/16S 330JTH	J24189007		1-	B	a4
R 2250	CHIPRES.	33	1/16W	5%	RMC1/16S 330JTH	J24189007		1-	B	a4
R 2251	CHIPRES.	100	1/16W	5%	RMC1/16S 101JTH	J24189013		1-	B	a1
R 2253	CHIPRES.	47k	1/16W	5%	RMC1/16S 473JTH	J24189045		1-	B	b2
R 2254	CHIPRES.	47k	1/16W	5%	RMC1/16S 473JTH	J24189045		1-	B	a4
R 2255	CHIPRES.	100k	1/16W	5%	RMC1/16S 104JTH	J24189049		1-	B	a4
R 2257	CHIPRES.	10k	1/16W	5%	RMC1/16S 103JTH	J24189037		1-	B	b1
R 2258	CHIPRES.	1k	1/16W	5%	RMC1/16S 102JTH	J24189025		1-	B	b1
R 2259	CHIPRES.	1k	1/16W	5%	RMC1/16S 102JTH	J24189025		1-	B	b1
R 2260	CHIPRES.	68k	1/16W	5%	RMC1/16S 683JTH	J24189047		1-	B	b4
R 2261	CHIPRES.	33k	1/16W	5%	RMC1/16S 333JTH	J24189043		1-	B	b4
R 2262	CHIPRES.	15k	1/16W	5%	RMC1/16S 153JTH	J24189039		1-	B	b1
R 2263	CHIPRES.	15k	1/16W	0.5%	MCR01MZPD1502	J24189376		1-	B	b1
R 2264	CHIPRES.	22k	1/16W	0.5%	MCR01MZPD2202	J24189378		1-	B	b1
R 2265	CHIPRES.	47k	1/16W	5%	RMC1/16S 473JTH	J24189045		1-	B	b1
R 2266	CHIPRES.	22k	1/16W	5%	RMC1/16S 223JTH	J24189041		1-	B	c2
R 2267	CHIPRES.	100k	1/16W	5%	RMC1/16S 104JTH	J24189049		1-	B	b1
R 2268	CHIPRES.	100k	1/16W	5%	RMC1/16S 104JTH	J24189049		1-	B	a1
R 2269	CHIPRES.	0	1/16W	5%	RMC1/16S JPTH	J24189070		1-	B	b2
R 2271	CHIPRES.	2.7	1/16W	5%	RMC1/16S 2R7JTH	J24189503		1-	B	b1
R 2272	CHIPRES.	0	1/16W	5%	RMC1/16S JPTH	J24189070		1-	B	a4
R 2273	CHIPRES.	2.7	1/16W	5%	RMC1/16S 2R7JTH	J24189503		1-	B	b1
R 2274	CHIPRES.	0	1/16W	5%	RMC1/16S JPTH	J24189070	EXPORT	1-	B	b2
R 2275	CHIPRES.	0	1/16W	5%	RMC1/16S JPTH	J24189070	USA	1-	B	b2
R 2276	CHIPRES.	1M	1/16W	5%	RMC1/16S 105JTH	J24189061		7-		
R 2277	CHIPRES.	100k	1/16W	5%	RMC1/16S 104JTH	J24189049		7-		
S 2001	ROTARY ENCODER				TP70N1062E20 RY-8932	Q9000926		1-	B	a1
S 2003	TACT SWITCH				EVQPQHB55	N5090103		1-	A	A3
S 2005	TACT SWITCH				EVQPQHB55	N5090103		1-	A	A3
S 2006	TACT SWITCH				EVQPQHB55	N5090103		1-	A	A3
S 2007	TACT SWITCH				EVQPQHB55	N5090103		1-	A	A4
S 2008	TACT SWITCH				EVQPQHB55	N5090103		1-	A	A4
S 2009	TACT SWITCH				EVQPQHB55	N5090103		1-	A	A4
S 2010	TACT SWITCH				EVQPQHB55	N5090103		1-	A	A4
S 2011	TACT SWITCH				EVQPQHB55	N5090103		1-	A	B4
S 2012	TACT SWITCH				EVQPQHB55	N5090103		1-	A	B4
S 2013	TACT SWITCH				EVQPQHB55	N5090103		1-	A	A4
S 2014	TACT SWITCH				EVQPQHB55	N5090103		1-	A	A4
S 2015	TACT SWITCH				EVQPQHB55	N5090103		1-	A	B4
S 2016	TACT SWITCH				EVQPQHB55	N5090103		1-	A	B4
S 2017	TACT SWITCH				EVQPQHB55	N5090103		1-	A	B4
S 2018	TACT SWITCH				EVQPQHB55	N5090103		1-	A	B4
S 2019	TACT SWITCH				EVQPQHB55	N5090103		1-	A	A2
S 2020	TACT SWITCH				EVQPQHB55	N5090103		1-	A	C4
S 2021	TACT SWITCH				EVQPQHB55	N5090103		1-	A	C4

CNTL Unit

REF.	DESCRIPTION	VALUE	V/W	TOL.	MFR'S DESIG	VXSTD P/N	VERS.	LOT.	SIDE	LAY ADR.
S 2022	TACT SWITCH				EVQPQHB55	N5090103		1-	A	C4
TH2001	THERMISTOR				NCP15WL473J03RC	G9090175		1-	B	c2
TH2002	THERMISTOR				NCP15WL473J03RC	G9090175		1-	B	b2
X 2001	XTAL AT-38	9.8304MHz			9.8304MHZ	H0103409		1-		
X 2002	XTAL NX3215SA	32.768kHz			32.768KHZ 7P	H0103399		1-	B	c1
X 2003	XTAL AT-38	4.9152MHz			4.9152MHZ	H0103408		1-		
X 2004	XTAL AT-38	6.144MHz			6.1440MHZ	H0103410		1-		
	LCDHOLDER					RA1228700		1-		
	SHEET				(LCD)	RA1013800		1-		
	ORING				(1X4.2)	RA0603600		1-		
	MICHOLDER RUBBER					RA1229200		1-		
	SHEET				(2.6x20)	RA1244100		1-		
	LIGHTGUIDE				(WIN)	RA1228900		1-		
	RUBBER PACKING				(LCD)	RA1229300		1-		
	MASK SHEET				(EXT)	RA1257000		1-		
	SPACER				(SP)	RA1257100		1-		
	DOUBLE FACE				(RUBBER)	RA1267500		1-		
	LIGHT SHEET				(LCD)	RA1271700		1-		
	DIFFUSERSHEET				(LCD)	RA1271800		1-		
	MASK SHEET				(DATA)	RA1266400		1-		
	SHEET				(CNT)	RA1272300		1-		
	DOUBLE FACE TAPE				(LCD-2)	RA1272700		1-		
	LCD SHEET				(B)	RA1273400		1-		

Circuit Diagram

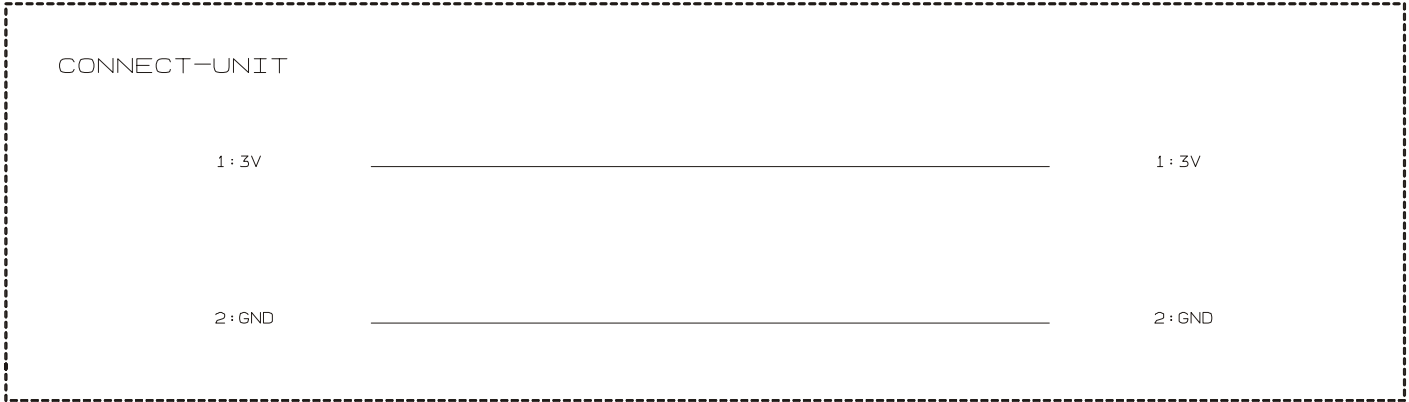


Parts Layout

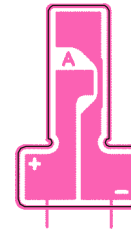
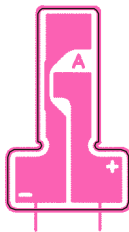


CONNECT Unit

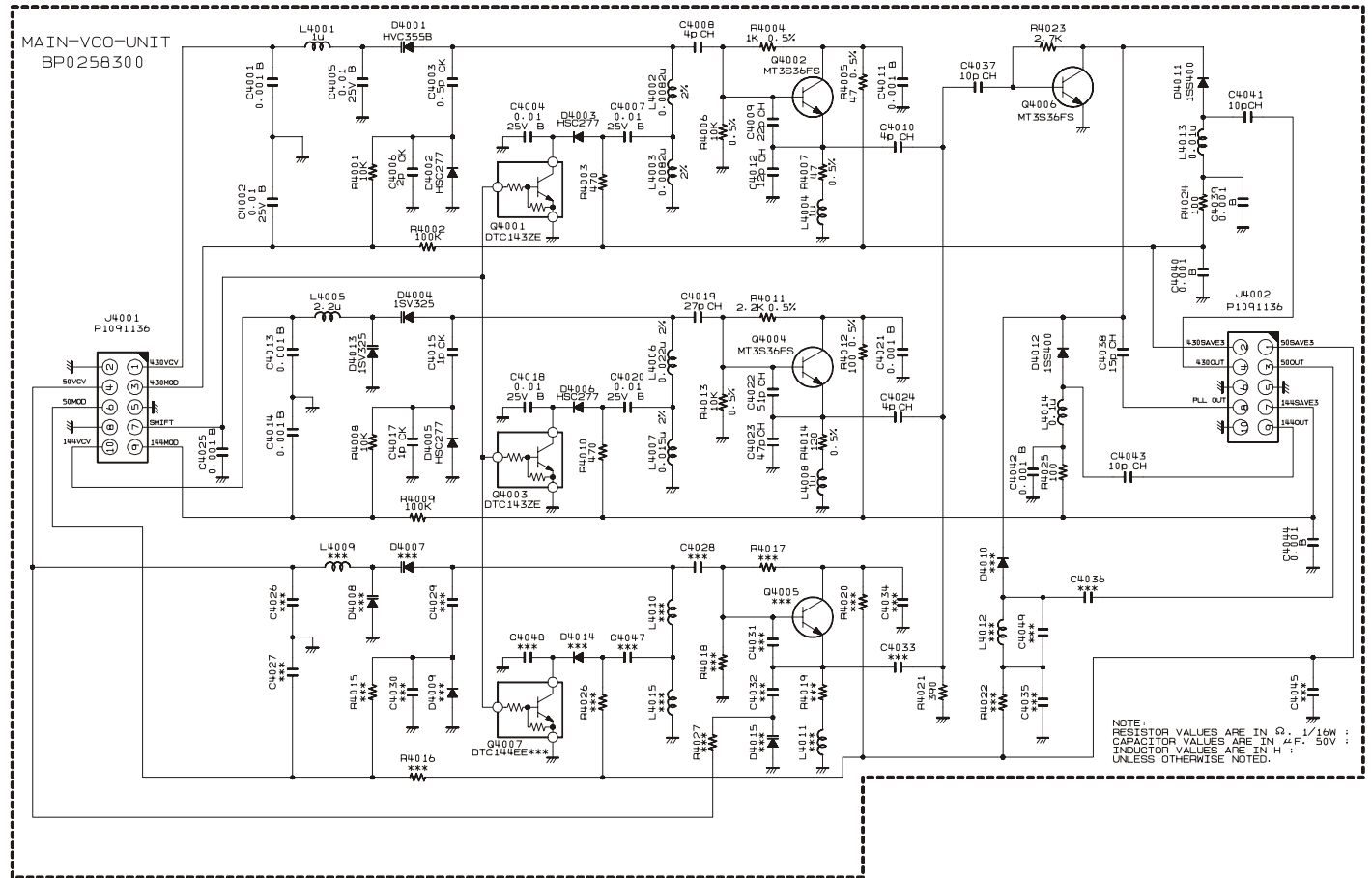
Circuit Diagram



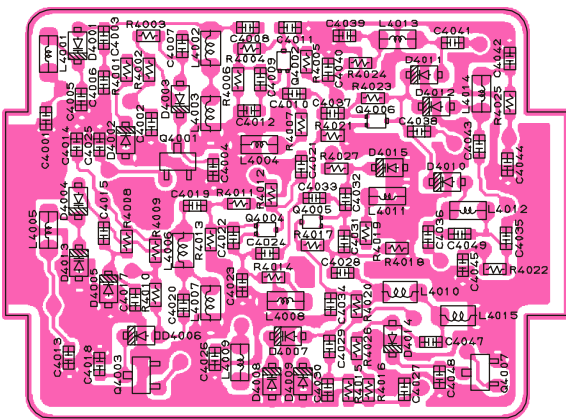
Parts Layout



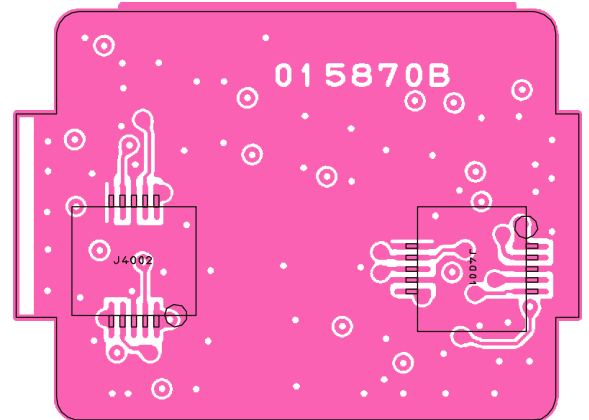
Circuit Diagram



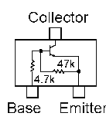
Parts Layout



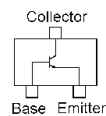
Side A



Side B



DTC143ZE (E23)
(Q4001, 4003)



MT3S36FS (21)
(Q4002, 4004, 006)

MAIN VCO Unit
Note

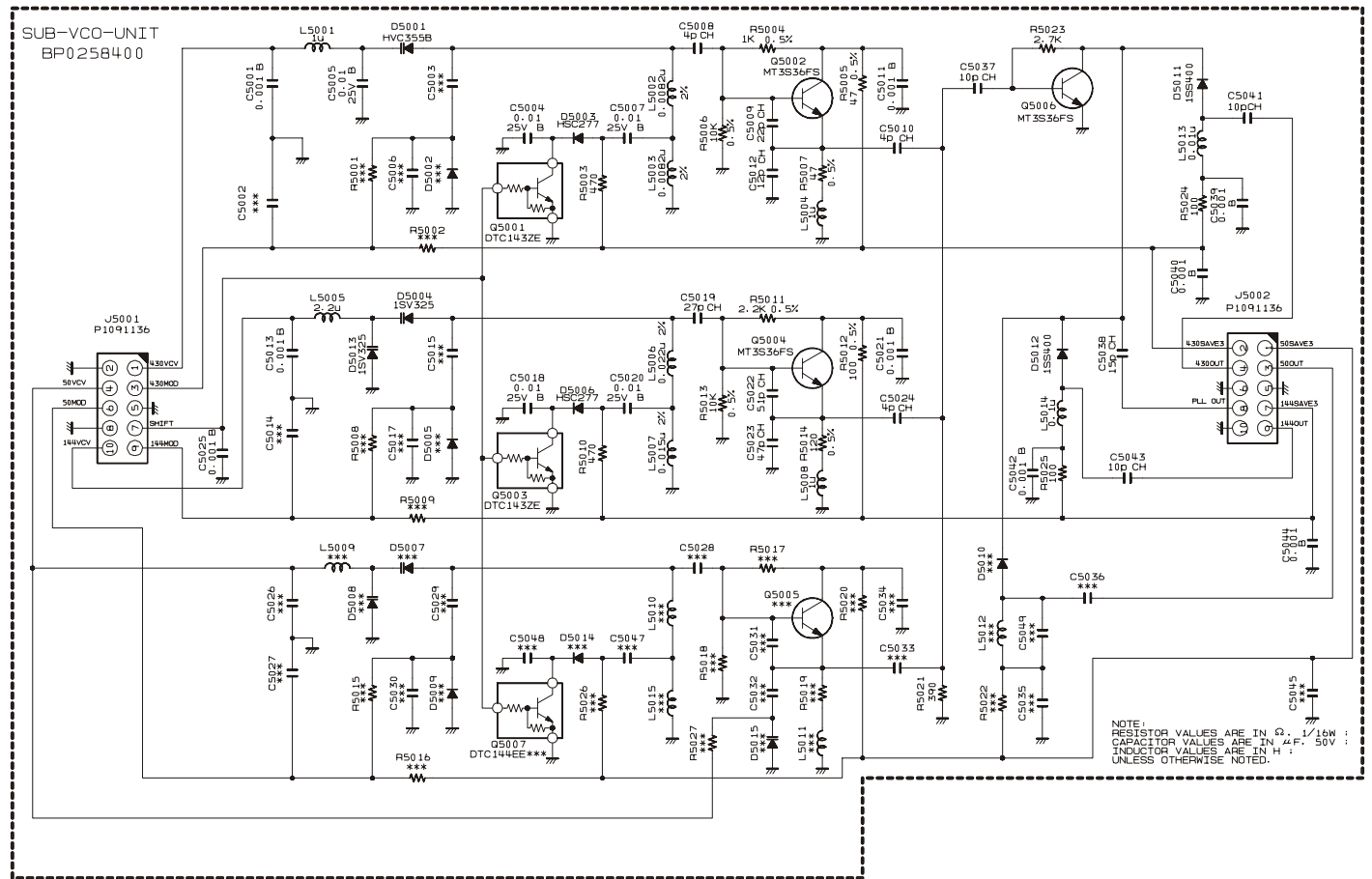
Parts List

REF.	DESCRIPTION	VALUE	V/W	TOL.	MFR'S DESIG	VXSTD P/N	VERS.	LOT.	SIDE	LAY ADR.
PCB with Components						CB5035001				
Printed Circuit Board						FR015870B				
C 4001	CHIP CAP.	0.001uF	50V	B	UMK105B102KW-F	K22178829		1-	A	
C 4002	CHIP CAP.	0.01uF	25V	B	GRM155B11E103KA01D	K22148834		1-	A	
C 4003	CHIP CAP.	0.5pF	50V	CK	GRM1554C1HR50BZ01D	K22178285		1-	A	
C 4004	CHIP CAP.	0.01uF	25V	B	GRM155B11E103KA01D	K22148834		1-	A	
C 4005	CHIP CAP.	0.01uF	25V	B	GRM155B11E103KA01D	K22148834		1-	A	
C 4006	CHIP CAP.	2pF	50V	CK	GRM1554C1H2R0BZ01D	K22178289		1-	A	
C 4007	CHIP CAP.	0.01uF	25V	B	GRM155B11E103KA01D	K22148834		1-	A	
C 4008	CHIP CAP.	4pF	50V	CH	GRM1552C1H4R0BZ01D	K22178291		1-	A	
C 4009	CHIP CAP.	22pF	50V	CH	GRM1552C1H220GZ01D	K22179707		1-	A	
C 4010	CHIP CAP.	4pF	50V	CH	UMK105CH040CV-F	K22178252		1-	A	
C 4011	CHIP CAP.	0.001uF	50V	B	UMK105B102KW-F	K22178829		1-	A	
C 4012	CHIP CAP.	12pF	50V	CH	GRM1552C1H120JZ01D	K22178214		1-	A	
C 4013	CHIP CAP.	0.001uF	50V	B	UMK105B102KW-F	K22178829		1-	A	
C 4014	CHIP CAP.	0.001uF	50V	B	UMK105B102KW-F	K22178829		1-	A	
C 4015	CHIP CAP.	1pF	50V	CK	GRM1554C1H1R0BZ01D	K22178287		1-	A	
C 4017	CHIP CAP.	1pF	50V	CK	GRM1554C1H1R0BZ01D	K22178287		1-	A	
C 4018	CHIP CAP.	0.01uF	25V	B	GRM155B11E103KA01D	K22148834		1-	A	
C 4019	CHIP CAP.	27pF	50V	CH	GRM1552C1H270JZ01D	K22178222		1-	A	
C 4020	CHIP CAP.	0.01uF	25V	B	GRM155B11E103KA01D	K22148834		1-	A	
C 4021	CHIP CAP.	0.001uF	50V	B	UMK105B102KW-F	K22178829		1-	A	
C 4022	CHIP CAP.	51pF	50V	CH	GRM1552C1H510GZ01D	K22179710		1-	A	
C 4023	CHIP CAP.	47pF	50V	CH	GRM1552C1H470GZ01D	K22179709		1-	A	
C 4024	CHIP CAP.	4pF	50V	CH	UMK105CH040CV-F	K22178252		1-	A	
C 4025	CHIP CAP.	0.001uF	50V	B	UMK105B102KW-F	K22178829		1-	A	
C 4037	CHIP CAP.	10pF	50V	CH	UMK105CH100DV-F	K22178258		1-	A	
C 4038	CHIP CAP.	15pF	50V	CH	UMK105CH150JV-F	K22178262		1-	A	
C 4039	CHIP CAP.	0.001uF	50V	B	UMK105B102KW-F	K22178829		1-	A	
C 4040	CHIP CAP.	0.001uF	50V	B	UMK105B102KW-F	K22178829		1-	A	
C 4041	CHIP CAP.	10pF	50V	CH	UMK105CH100DV-F	K22178258		1-	A	
C 4042	CHIP CAP.	0.001uF	50V	B	UMK105B102KW-F	K22178829		1-	A	
C 4043	CHIP CAP.	10pF	50V	CH	UMK105CH100DV-F	K22178258		1-	A	
C 4044	CHIP CAP.	0.001uF	50V	B	UMK105B102KW-F	K22178829		1-	A	
D 4001	DIODE				HVC355B TRF-E	G2070588		1-	A	
D 4002	DIODE				HSC277TRF-E	G2070584		1-	A	
D 4003	DIODE				HSC277TRF-E	G2070584		1-	A	
D 4004	DIODE				1SV325(TPH3.F)	G2070848		1-	A	
D 4005	DIODE				HSC277TRF-E	G2070584		1-	A	
D 4006	DIODE				HSC277TRF-E	G2070584		1-	A	
D 4011	DIODE				1SS400 TE61	G2070634		1-	A	
D 4012	DIODE				1SS400 TE61	G2070634		1-	A	
D 4013	DIODE				1SV325(TPH3.F)	G2070848		1-	A	
J 4001	CONNECTOR				AXK5F10335YP	P1091136		1-	B	
J 4002	CONNECTOR				AXK5F10335YP	P1091136		1-	B	
L 4001	M.RFC	1uH			LK1608 1R0K-T	L1690687		1-	A	
L 4002	M.RFC	0.0082uH		2%	C1608CB-8N2G-RF	L1691226		1-	A	
L 4003	M.RFC	0.0082uH		2%	C1608CB-8N2G-RF	L1691226		1-	A	
L 4004	M.RFC	1uH			LK1608 1R0K-T	L1690687		1-	A	
L 4005	M.RFC	2.2uH			LK1608 2R2K-T	L1690634		1-	A	
L 4006	CHIP COIL	0.022uH		2%	LQW18AN22NG00D	L1690884		1-	A	
L 4007	M.RFC	0.015uH		2%	C1608CB-15NG-RF	L1691034		1-	A	
L 4008	M.RFC	1uH			LK1608 1R0K-T	L1690687		1-	A	
L 4013	M.RFC	0.01uH			HK1608 10NJ-T	L1690516		1-	A	
L 4014	M.RFC	0.1uH			LK1608 R10K-T	L1690407		1-	A	
Q 4001	TRANSISTOR				DTC143ZE TL	G3070102		1-	A	
Q 4002	TRANSISTOR				MT3S36FS(TE85L.F)	G3070377		1-	A	
Q 4003	TRANSISTOR				DTC143ZE TL	G3070102		1-	A	
Q 4004	TRANSISTOR				MT3S36FS(TE85L.F)	G3070377		1-	A	
Q 4006	TRANSISTOR				MT3S36FS(TE85L.F)	G3070377		1-	A	

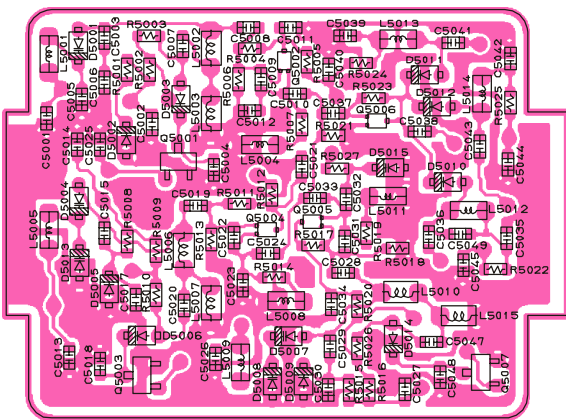
MAIN VCO Unit

REF.	DESCRIPTION	VALUE	V/W	TOL.	MFR'S DESIG	VXSTD P/N	VERS.	LOT.	SIDE	LAY ADR.
R 4001	CHIPRES.	10k	1/16W	5%	RMC1/16S 103JTH	J24189037		1-	A	
R 4002	CHIPRES.	100k	1/16W	5%	RMC1/16S 104JTH	J24189049		1-	A	
R 4003	CHIPRES.	470	1/16W	5%	RMC1/16S 471JTH	J24189021		1-	A	
R 4004	CHIPRES.	1k	1/16W	0.5%	RR0510P-102-D	J24189119		1-	A	
R 4005	CHIPRES.	47	1/16W	0.5%	RR0510R-470-D	J24189087		1-	A	
R 4006	CHIPRES.	10k	1/16W	0.5%	RR0510P-103-D	J24189143		1-	A	
R 4007	CHIPRES.	47	1/16W	0.5%	RR0510R-470-D	J24189087		1-	A	
R 4008	CHIPRES.	10k	1/16W	5%	RMC1/16S 103JTH	J24189037		1-	A	
R 4009	CHIPRES.	100k	1/16W	5%	RMC1/16S 104JTH	J24189049		1-	A	
R 4010	CHIPRES.	470	1/16W	5%	RMC1/16S 471JTH	J24189021		1-	A	
R 4011	CHIPRES.	2.2k	1/16W	0.5%	RR0510P-222-D	J24189127		1-	A	
R 4012	CHIPRES.	100	1/16W	0.5%	RR0510P-101-D	J24189095		1-	A	
R 4013	CHIPRES.	10k	1/16W	0.5%	RR0510P-103-D	J24189143		1-	A	
R 4014	CHIPRES.	120	1/16W	0.5%	RR0510P-121-D	J24189097		1-	A	
R 4021	CHIPRES.	390	1/16W	5%	RMC1/16S 391JTH	J24189020		1-	A	
R 4023	CHIPRES.	2.7k	1/16W	5%	RMC1/16S 272JTH	J24189030		1-	A	
R 4024	CHIPRES.	100	1/16W	5%	RMC1/16S 101JTH	J24189013		1-	A	
R 4025	CHIPRES.	100	1/16W	5%	RMC1/16S 101JTH	J24189013		1-	A	
	SHIELD CASE VCO					RA1007400		1-		

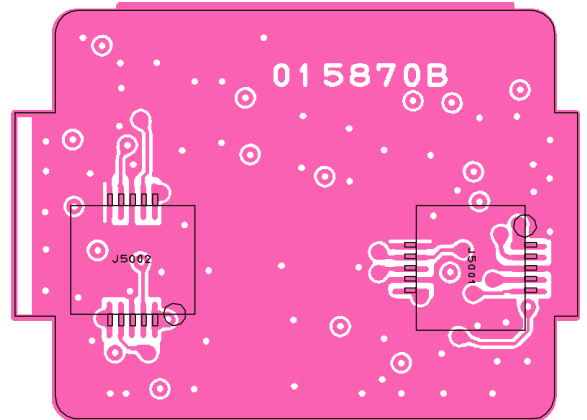
Circuit Diagram



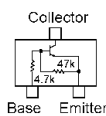
Parts Layout



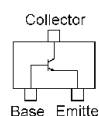
Side A



Side B



DTC143ZE (E23)
(Q5001, 5003)



MT3S36FS (21)
(Q5002, 5004, 5006)

SUB VCO Unit
Note

Parts List

REF.	DESCRIPTION	VALUE	V/W	TOL.	MFR'S DESIG	VXSTD P/N	VERS.	LOT.	SIDE	LAY ADR.
PCB with Components						CB5036001				
Printed Circuit Board						FR015870B				
C 5001	CHIP CAP.	0.001uF	50V	B	UMK105B102KW-F	K22178829		1-	A	
C 5004	CHIP CAP.	0.01uF	25V	B	GRM155B11E103KA01D	K22148834		1-	A	
C 5005	CHIP CAP.	0.01uF	25V	B	GRM155B11E103KA01D	K22148834		1-	A	
C 5007	CHIP CAP.	0.01uF	25V	B	GRM155B11E103KA01D	K22148834		1-	A	
C 5008	CHIP CAP.	4pF	50V	CH	GRM1552C1H4R0BZ01D	K22178291		1-	A	
C 5009	CHIP CAP.	22pF	50V	CH	GRM1552C1H220GZ01D	K22179707		1-	A	
C 5010	CHIP CAP.	4pF	50V	CH	UMK105CH040CV-F	K22178252		1-	A	
C 5011	CHIP CAP.	0.001uF	50V	B	UMK105B102KW-F	K22178829		1-	A	
C 5012	CHIP CAP.	12pF	50V	CH	GRM1552C1H120JZ01D	K22178214		1-	A	
C 5013	CHIP CAP.	0.001uF	50V	B	UMK105B102KW-F	K22178829		1-	A	
C 5018	CHIP CAP.	0.01uF	25V	B	GRM155B11E103KA01D	K22148834		1-	A	
C 5019	CHIP CAP.	27pF	50V	CH	GRM1552C1H270JZ01D	K22178222		1-	A	
C 5020	CHIP CAP.	0.01uF	25V	B	GRM155B11E103KA01D	K22148834		1-	A	
C 5021	CHIP CAP.	0.001uF	50V	B	UMK105B102KW-F	K22178829		1-	A	
C 5022	CHIP CAP.	51pF	50V	CH	GRM1552C1H510GZ01D	K22179710		1-	A	
C 5023	CHIP CAP.	47pF	50V	CH	GRM1552C1H470GZ01D	K22179709		1-	A	
C 5024	CHIP CAP.	4pF	50V	CH	UMK105CH040CV-F	K22178252		1-	A	
C 5025	CHIP CAP.	0.001uF	50V	B	UMK105B102KW-F	K22178829		1-	A	
C 5037	CHIP CAP.	10pF	50V	CH	UMK105CH100DV-F	K22178258		1-	A	
C 5038	CHIP CAP.	15pF	50V	CH	UMK105CH150JV-F	K22178262		1-	A	
C 5039	CHIP CAP.	0.001uF	50V	B	UMK105B102KW-F	K22178829		1-	A	
C 5040	CHIP CAP.	0.001uF	50V	B	UMK105B102KW-F	K22178829		1-	A	
C 5041	CHIP CAP.	10pF	50V	CH	UMK105CH100DV-F	K22178258		1-	A	
C 5042	CHIP CAP.	0.001uF	50V	B	UMK105B102KW-F	K22178829		1-	A	
C 5043	CHIP CAP.	10pF	50V	CH	UMK105CH100DV-F	K22178258		1-	A	
C 5044	CHIP CAP.	0.001uF	50V	B	UMK105B102KW-F	K22178829		1-	A	
D 5001	DIODE				HVC355B TRF-E	G2070588		1-	A	
D 5003	DIODE				HSC277TRF-E	G2070584		1-	A	
D 5004	DIODE				1SV325(TPH3.F)	G2070848		1-	A	
D 5006	DIODE				HSC277TRF-E	G2070584		1-	A	
D 5011	DIODE				1SS400 TE61	G2070634		1-	A	
D 5012	DIODE				1SS400 TE61	G2070634		1-	A	
D 5013	DIODE				1SV325(TPH3.F)	G2070848		1-	A	
J 5001	CONNECTOR				AXK5F10335YP	P1091136		1-	B	
J 5002	CONNECTOR				AXK5F10335YP	P1091136		1-	B	
L 5001	M.RFC	1uH			LK1608 1R0K-T	L1690687		1-	A	
L 5002	M.RFC	0.0082uH		2%	C1608CB-8N2G-RF	L1691226		1-	A	
L 5003	M.RFC	0.0082uH		2%	C1608CB-8N2G-RF	L1691226		1-	A	
L 5004	M.RFC	1uH			LK1608 1R0K-T	L1690687		1-	A	
L 5005	M.RFC	2.2uH			LK1608 2R2K-T	L1690634		1-	A	
L 5006	CHIP COIL	0.022uH		2%	LQW18AN22NG00D	L1690884		1-	A	
L 5007	M.RFC	0.015uH		2%	C1608CB-15NG-RF	L1691034		1-	A	
L 5008	M.RFC	1uH			LK1608 1R0K-T	L1690687		1-	A	
L 5013	M.RFC	0.01uH			HK1608 10NJ-T	L1690516		1-	A	
L 5014	M.RFC	0.1uH			LK1608 R10K-T	L1690407		1-	A	
Q 5001	TRANSISTOR				DTC143ZE TL	G3070102		1-	A	
Q 5002	TRANSISTOR				MT3S36FS(TE85L.F)	G3070377		1-	A	
Q 5003	TRANSISTOR				DTC143ZE TL	G3070102		1-	A	
Q 5004	TRANSISTOR				MT3S36FS(TE85L.F)	G3070377		1-	A	
Q 5006	TRANSISTOR				MT3S36FS(TE85L.F)	G3070377		1-	A	
R 5003	CHIPRES.	470	1/16W	5%	RMC1/16S 471JTH	J24189021		1-	A	
R 5004	CHIPRES.	1k	1/16W	0.5%	RR0510P-102-D	J24189119		1-	A	
R 5005	CHIPRES.	47	1/16W	0.5%	RR0510R-470-D	J24189087		1-	A	
R 5006	CHIPRES.	10k	1/16W	0.5%	RR0510P-103-D	J24189143		1-	A	
R 5007	CHIPRES.	47	1/16W	0.5%	RR0510R-470-D	J24189087		1-	A	
R 5010	CHIPRES.	470	1/16W	5%	RMC1/16S 471JTH	J24189021		1-	A	
R 5011	CHIPRES.	2.2k	1/16W	0.5%	RR0510P-222-D	J24189127		1-	A	
R 5012	CHIPRES.	100	1/16W	0.5%	RR0510P-101-D	J24189095		1-	A	

SUB VCO Unit

REF.	DESCRIPTION	VALUE	V/W	TOL.	MFR'S DESIG	VXSTD P/N	VERS.	LOT.	SIDE	LAY ADR.
R 5013	CHIPRES.	10k	1/16W	0.5%	RR0510P-103-D	J24189143		1-	A	
R 5014	CHIPRES.	120	1/16W	0.5%	RR0510P-121-D	J24189097		1-	A	
R 5021	CHIPRES.	390	1/16W	5%	RMC1/16S 391JTH	J24189020		1-	A	
R 5023	CHIPRES.	2.7k	1/16W	5%	RMC1/16S 272JTH	J24189030		1-	A	
R 5024	CHIPRES.	100	1/16W	5%	RMC1/16S 101JTH	J24189013		1-	A	
R 5025	CHIPRES.	100	1/16W	5%	RMC1/16S 101JTH	J24189013		1-	A	
	SHIELD CASE VCO					RA1007400		1-	A	



Copyright 2010
VERTEX STANDARD CO., LTD.
All rights reserved

No portion of this manual
may be reproduced without
the permission of
VERTEX STANDARD CO., LTD.

Printed in Japan.