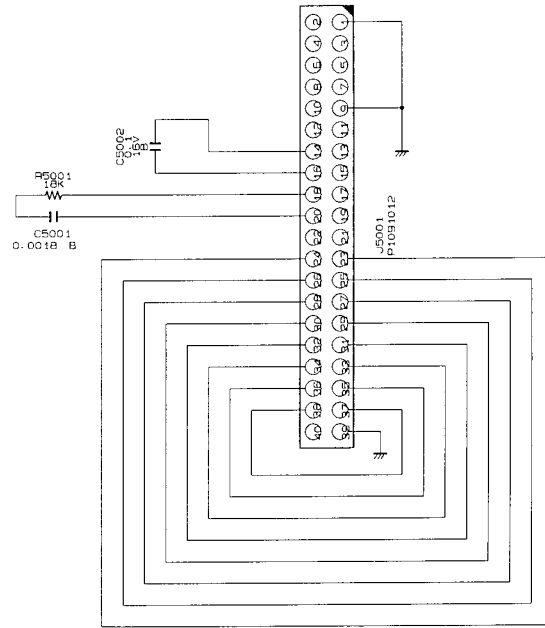


MAIN-UNIT

TX 144-149MHz
RX 122-3-155, 3MHz

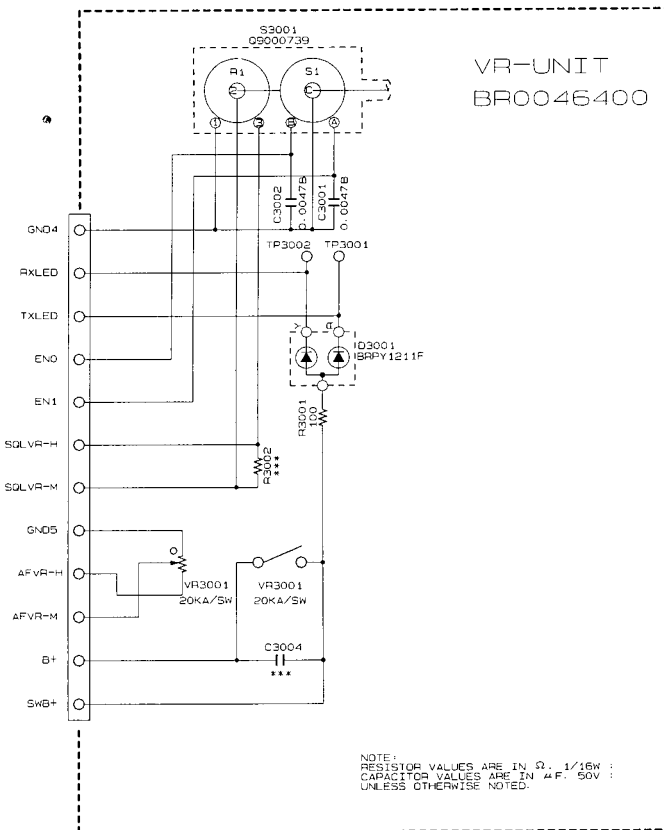
DUMMY-UNIT

BR0025100



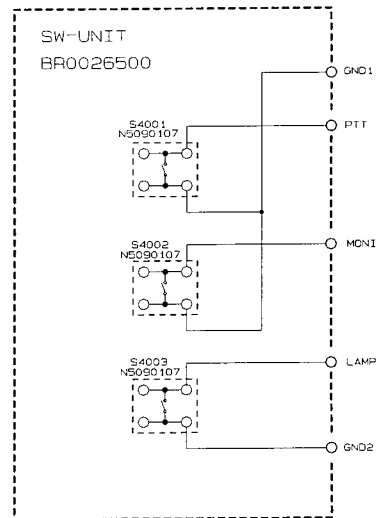
NOTE:
RESISTOR VALUES ARE IN Ω, 1/16W ;
CAPACITOR VALUES ARE IN μF, 50V ;
UNLESS OTHERWISE NOTED.

VR-UNIT
BR0046400



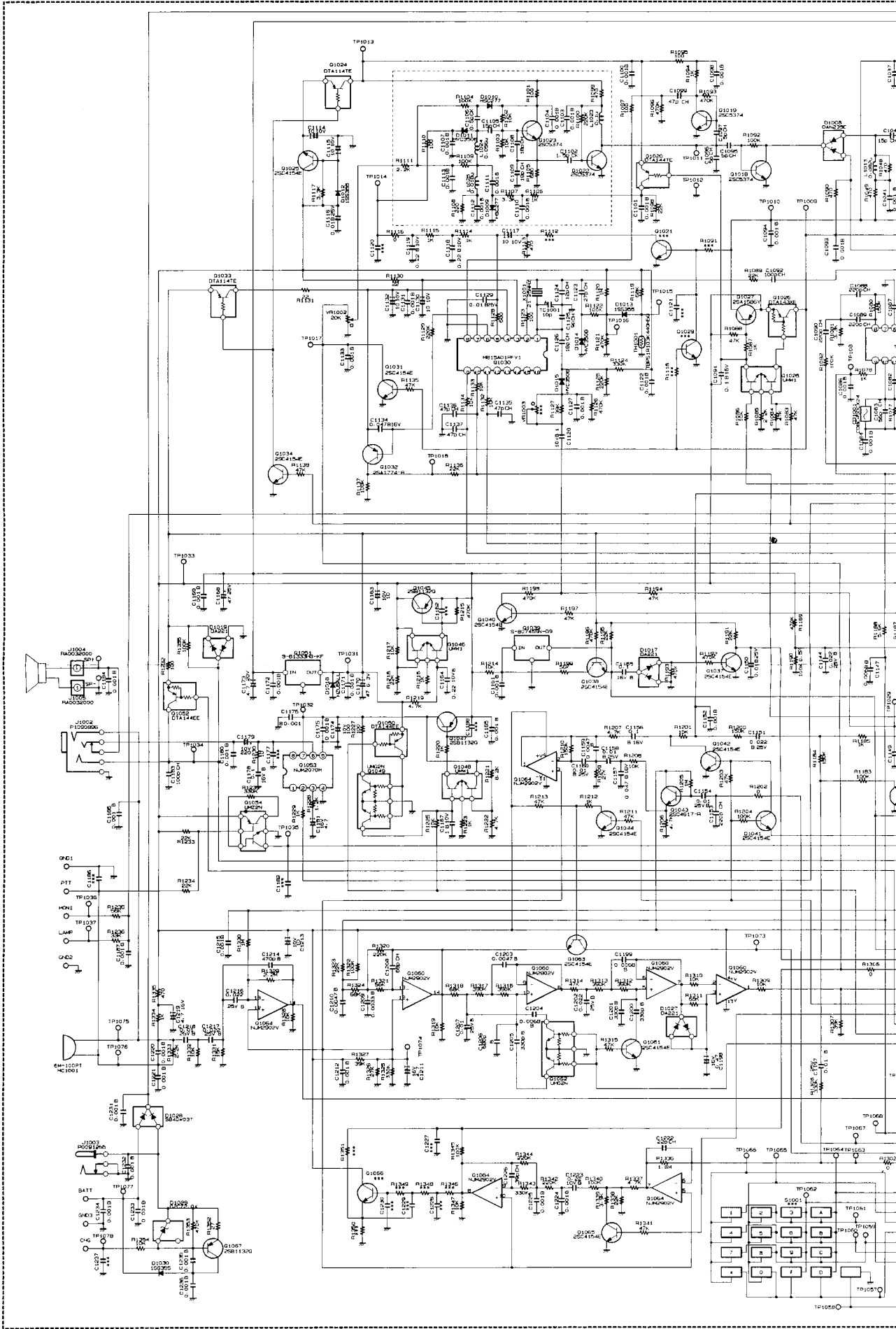
NOTE:
RESISTOR VALUES ARE IN Ω, 1/16W ;
CAPACITOR VALUES ARE IN μF, 50V ;
UNLESS OTHERWISE NOTED.

SW-UNIT
BR0026500

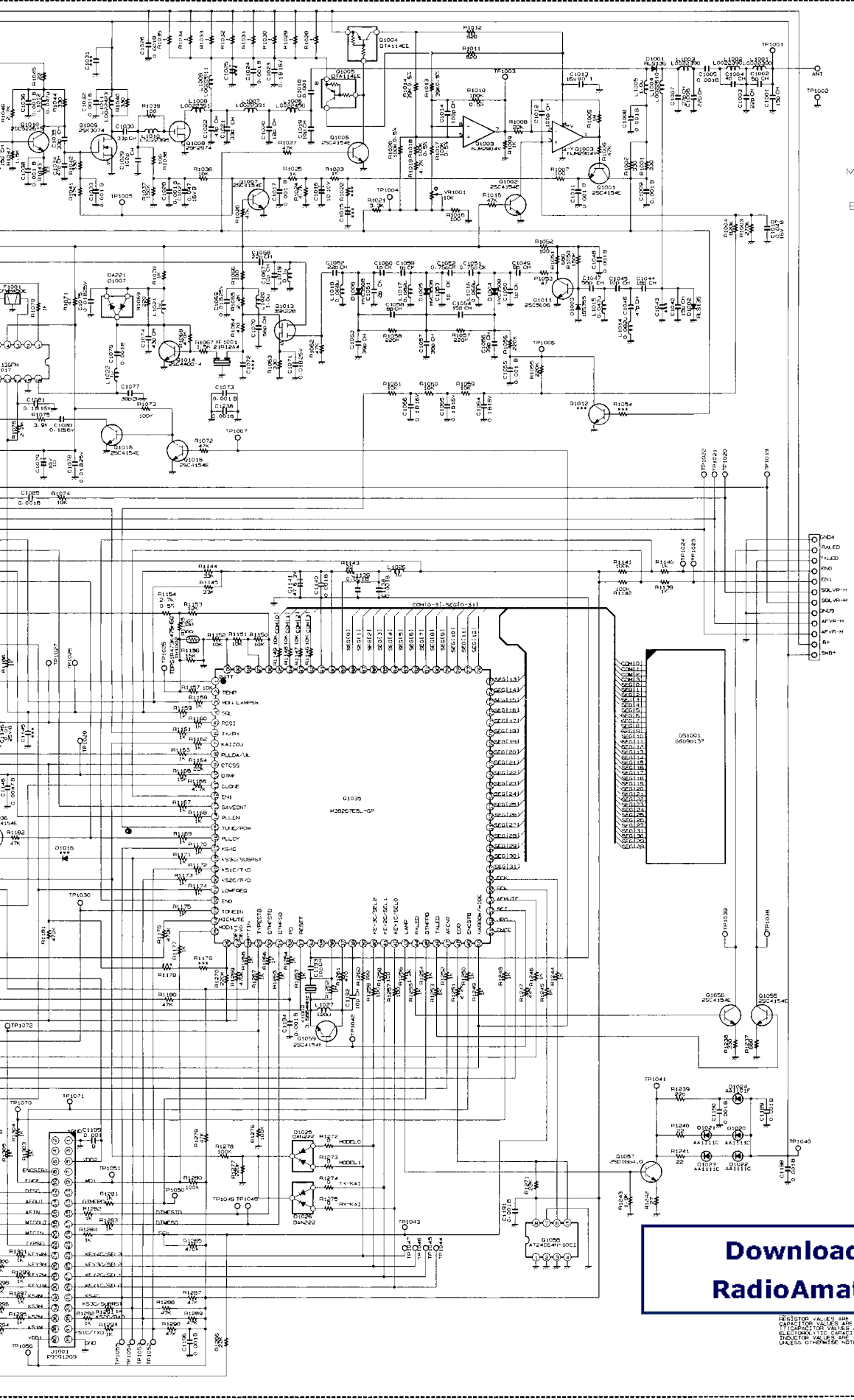


Downloaded by
RadioAmateur.EU

VX-150 CIRCUIT DIAGRAM



MAIN-UNIT
BROC46300



**Downloaded by
RadioAmateur.EU**

RESISTOR VALUES ARE IN Ω , k , M , ∞ UNLESS OTHERWISE NOTED.
CAPACITOR VALUES ARE IN P, μ , F , UNLESS OTHERWISE NOTED.
RESISTOR VALUES ARE IN Ω , k , M , ∞ UNLESS OTHERWISE NOTED.
CAPACITOR VALUES ARE IN P, μ , F , UNLESS OTHERWISE NOTED.