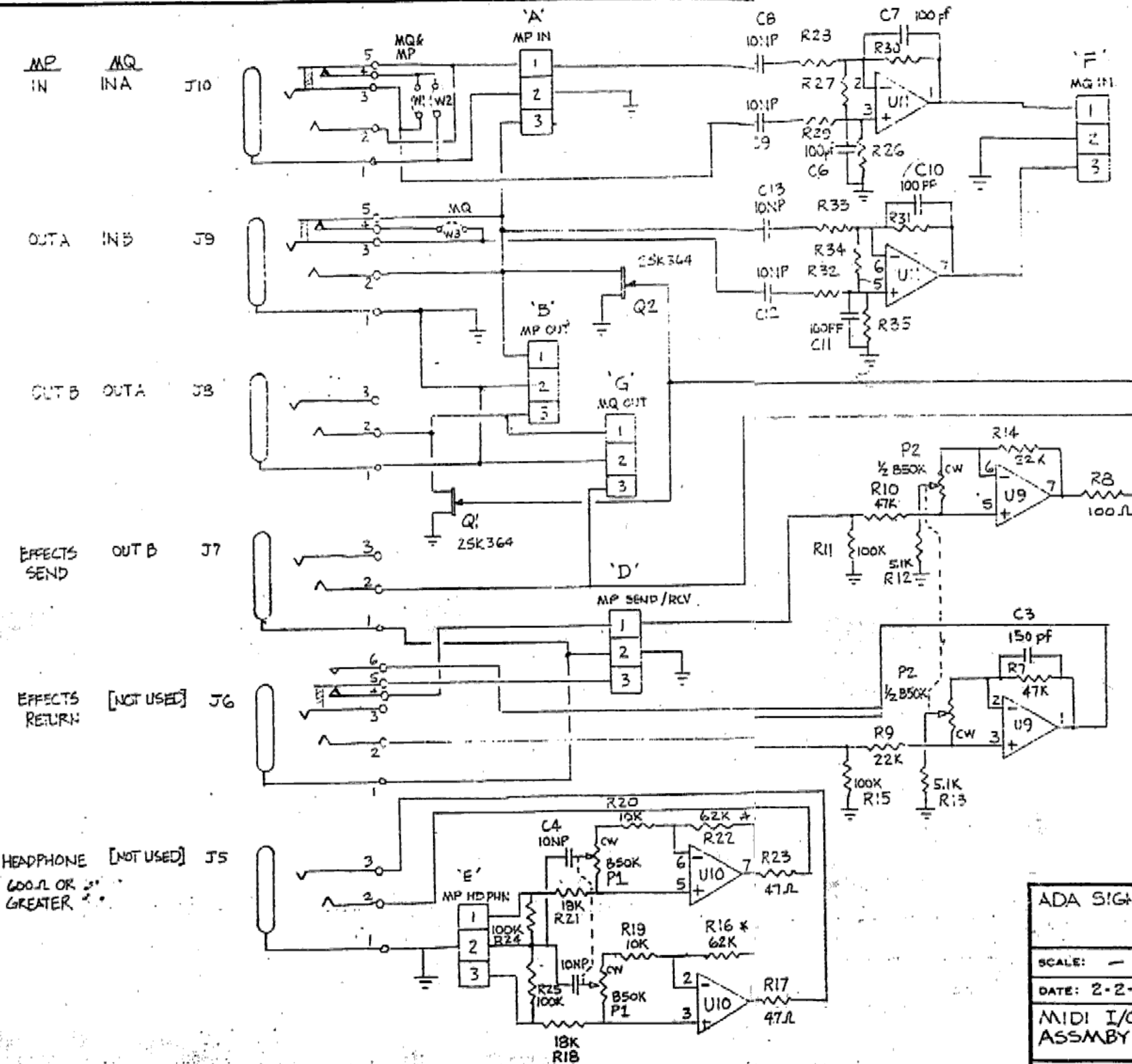


REVISIONS			
LTR	DESCRIPTION	DATE	APPROVED

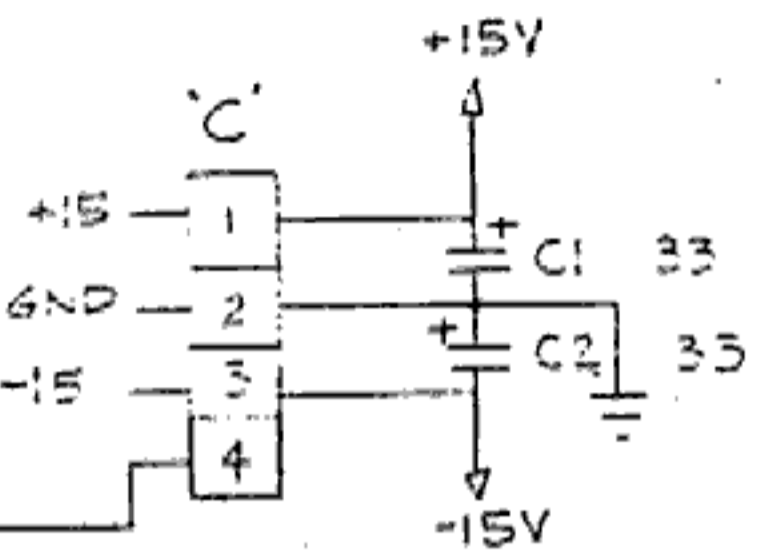
ENTERED SEP 10 1987

TOLERANCES UNLESS OTHERWISE SPECIFIED		ACA SIGNAL PROCESSORS, INC	
FRACTIONS DEC ANGLES		7303 D EDGEWATER, OAKLAND 94621	
* * *		MP1 BR, -RUS, OUTPUTS	
APPROVALS	DATE	SCALE	SIZE
DRAWN	4-23-87	-	C
CHECKED	7-15-87		DRAWING NO. C471 A
A	9-10-87		REV A
DO NOT SCALE DRAWING			SHEET 2 OF 7

MQ1, USE W1 & W3
 MP1, USE W1



(φ IS INVERTED)

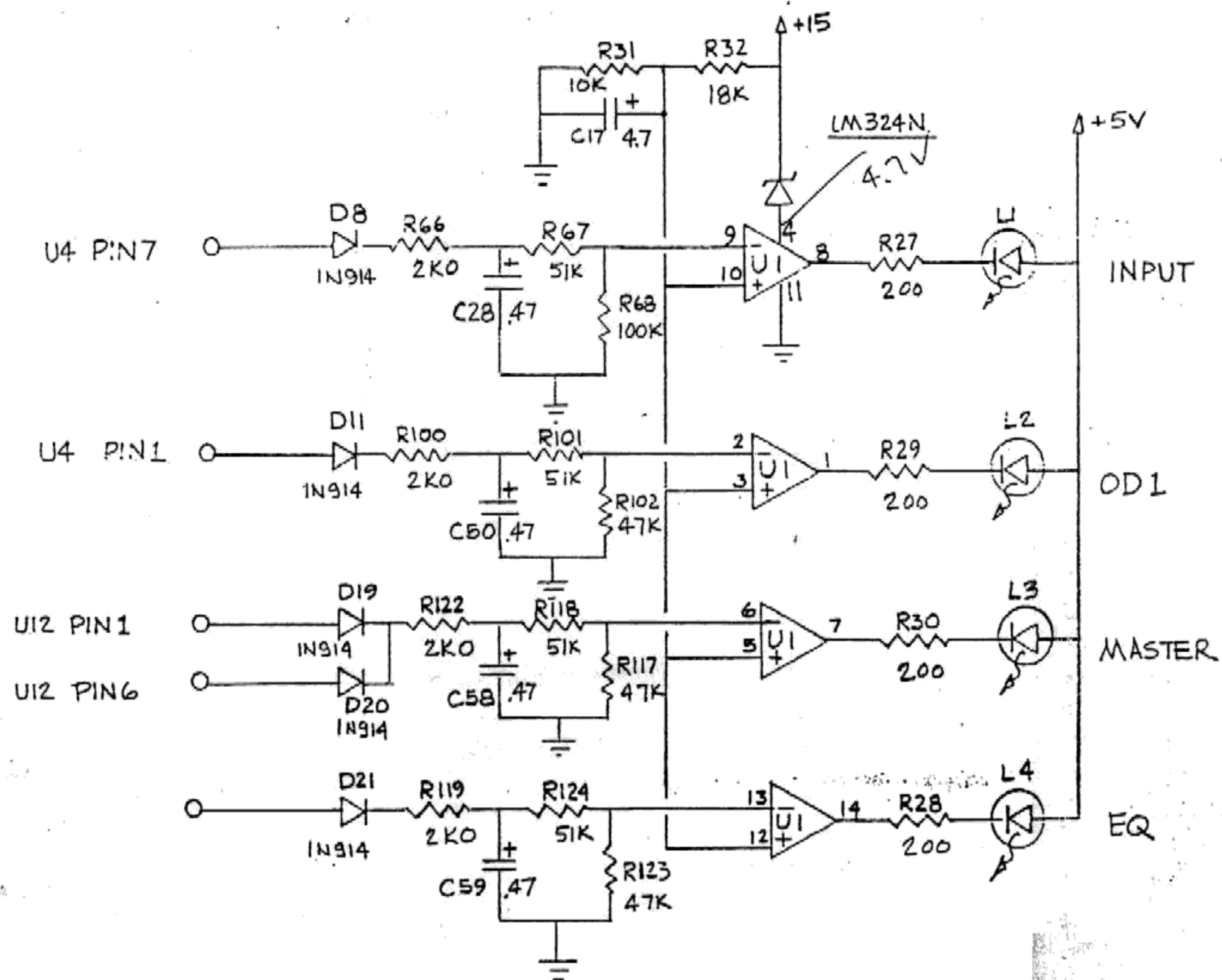


NOTE: THIS SCHEMATIC IS FOR
 PCB PN: 423 REVE (680076)
 ONLY.

- * 1. FOR MP USE 30K Ω
- 2. Q1 & Q2 FOR MP-1 ONLY

ENTERED SEP 1 0 1987

ADA SIGNAL PROCESSORS, INC.		
SCALE: —	APPROVED BY: DJT 4-13-87 9-9-87	DRAWN BY DJT
DATE: 2-2-87		REVISED 7-16-87
MIDI I/O PCB ANALOG CIRCUITRY, PCB 423 REV D ASSMBY NO 780031		
		DRAWING NUMBER REV B453 D



ADA SIGNAL PROCESSORS, INC
 7303 D EDGEWATER DR., OAKLAND CA 94621

SCALE: —

APPROVED BY:

DJT 9-9-87

DRAWN BY DJT

DATE: 7-21-87

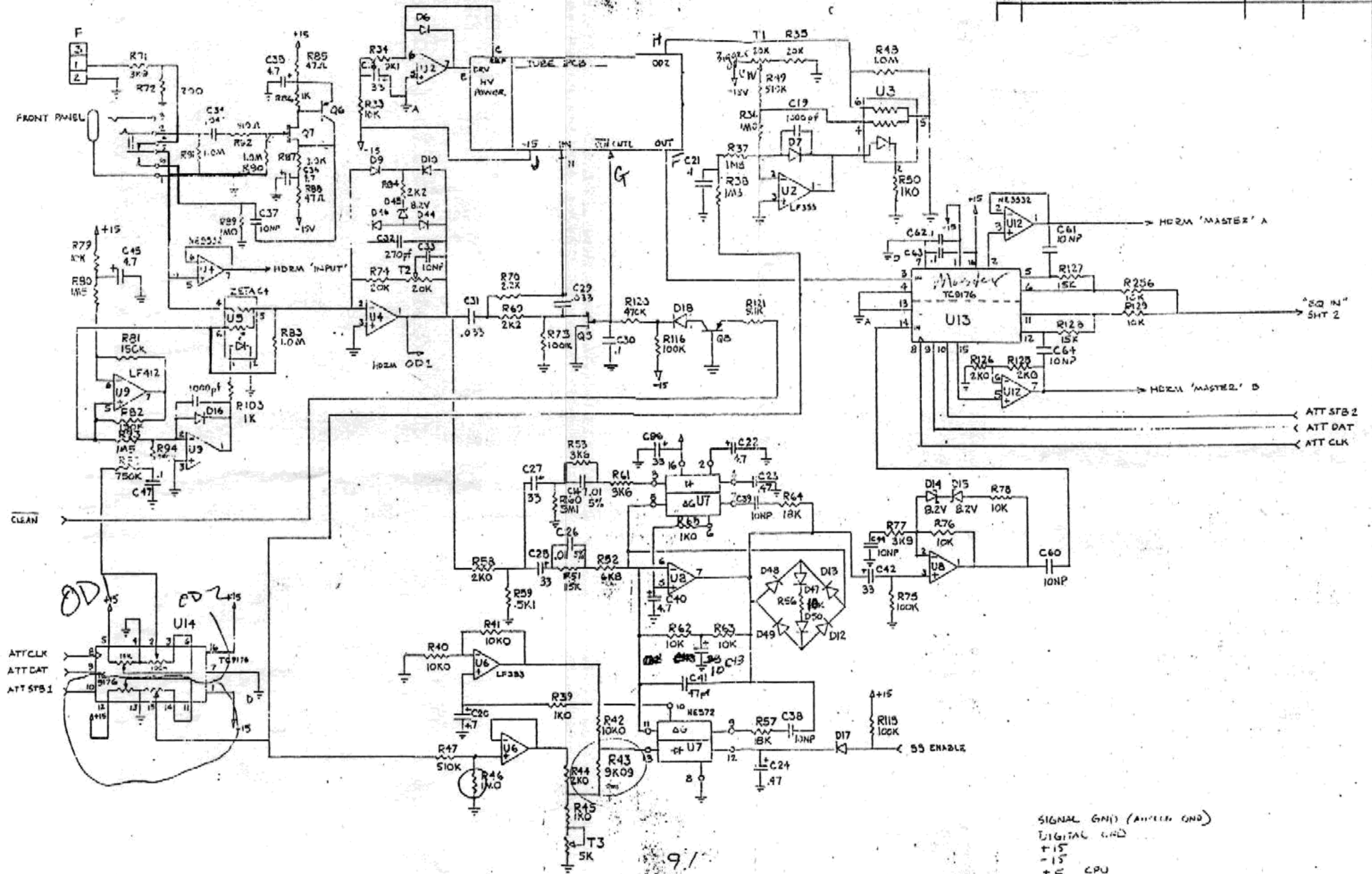
REVISED

MP-1 SCHEMATIC LED CLIP INDICATOR

© 9-9-87

DRAWING NUMBER 15V

B473



SIGNAL GND (AUXILIARY GND)
 DIGITAL GND
 +15
 -15
 +5 CPU
 +5 DISPLAY

ENTERED SEP 1 0 198

TOLERANCES UNLESS OTHERWISE SPECIFIED		ADA SIGNAL PROCESSORS, INC	
FRACTIONS DEC ANGLES		7363 D EDGEWATER, OAKLAND 94621	
* * *		MPI INPUT, ATTENUATORS, SOLID-STATE DISTORTION.	
APPROVALS	DATE	SCALE	SIZE DRAWING NO. REV
DRAWN	4-29-87		C C470 A
CHECKED	8-7-87		
A	9-9-87		
DO NOT SCALE DRAWING			SHEET 1 OF 7

TO 'KC'

POLARIZED STR-3
M511A-1T

REAR PANEL

DWG

RIBBED SIDE
OF WIRE

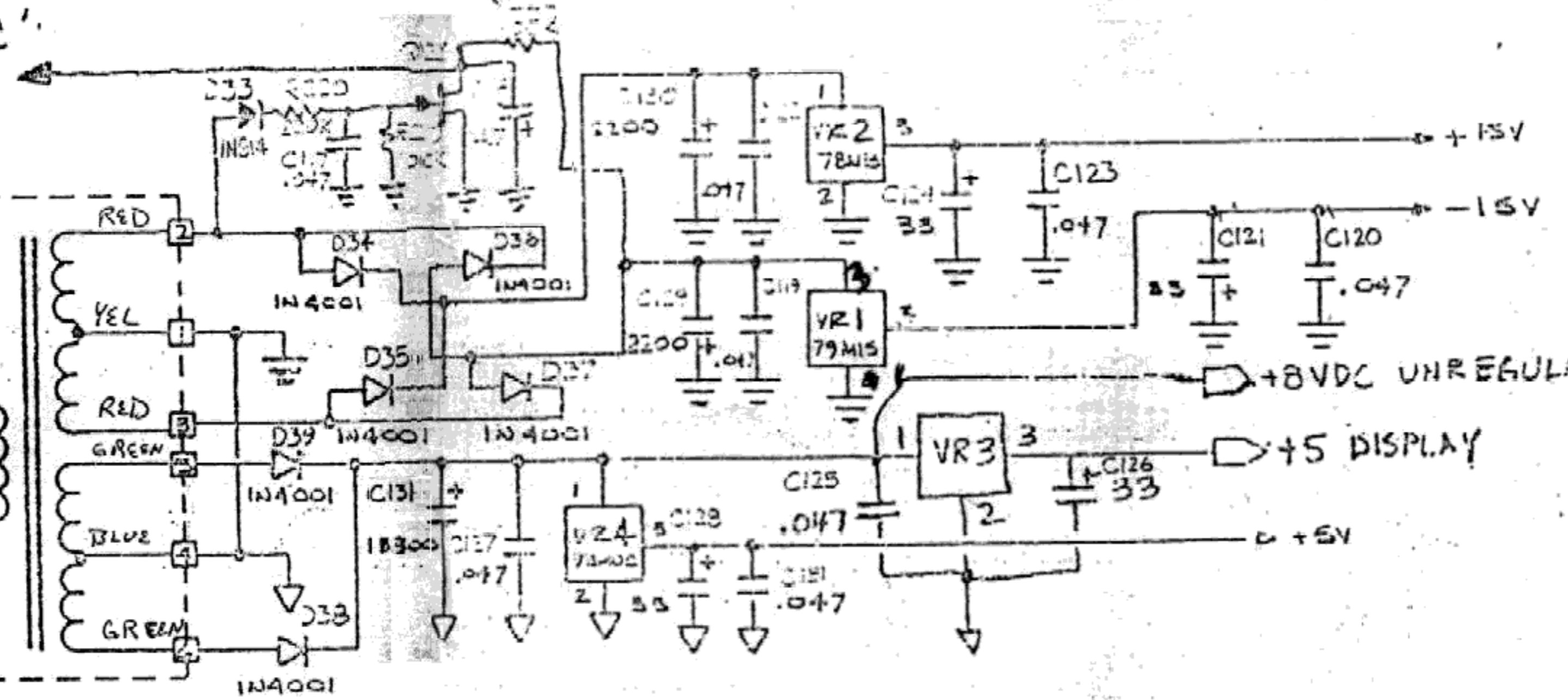
COLD

HOT

.5 AMP
FUSE

SW. 2

KELVIN
GROUND
(SOLDERED)



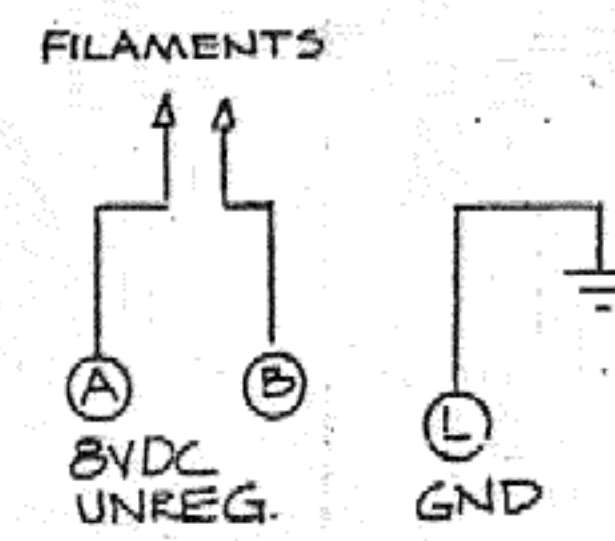
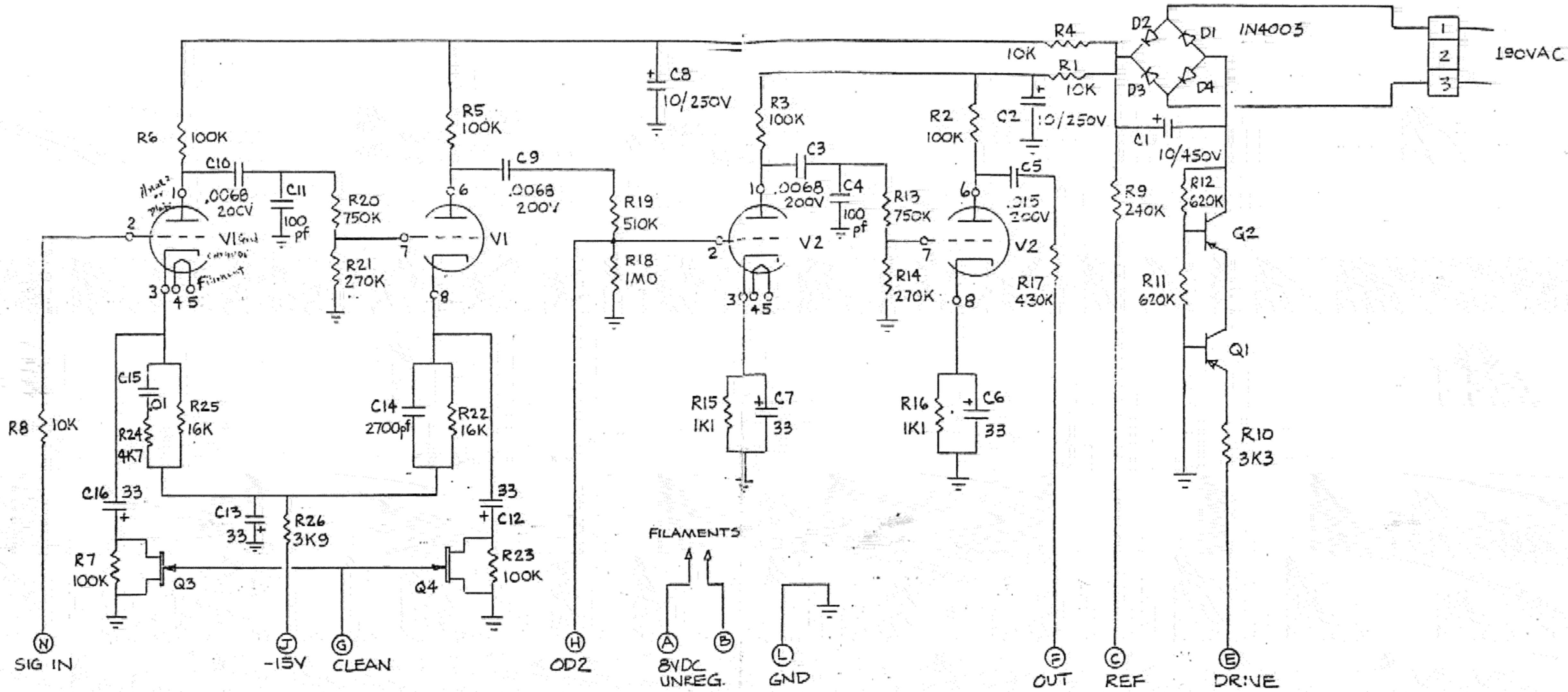
ENTERED

ADA SIGNAL PROCESSORS, INC.
7303 D EDGEWATER DRIVE, OAKLAND, CA 94621

DATE:	APR/D
8-11-87	9-9-87

MP1 SCHEMATIC, POWER SUPPLY
PART OF ASSEMBLY

DRAWN
B



6 0 0 0 0 0
 6 0 0 0 0 0
 Top Bottom

ENTERED SEP 10 1987

ADA SIGNAL PROCESSORS, INC. 7303 D EDGEWATER DR., OAKLAND, CA 94621		
SCALE: NONE	APPROVED BY: DJT	DRAWN BY DJT
DATE: 7-16-87		REVISED
MP-1 SCHEMATIC TUBE BREAK-AWAY PCB PART OF ASSEMBLY _____		
DRAWING NUMBER		REV
B472		