

WMS

4000/4500

WIRELESS MICROPHONE SYSTEM

SERVICE MANUAL

07/2015

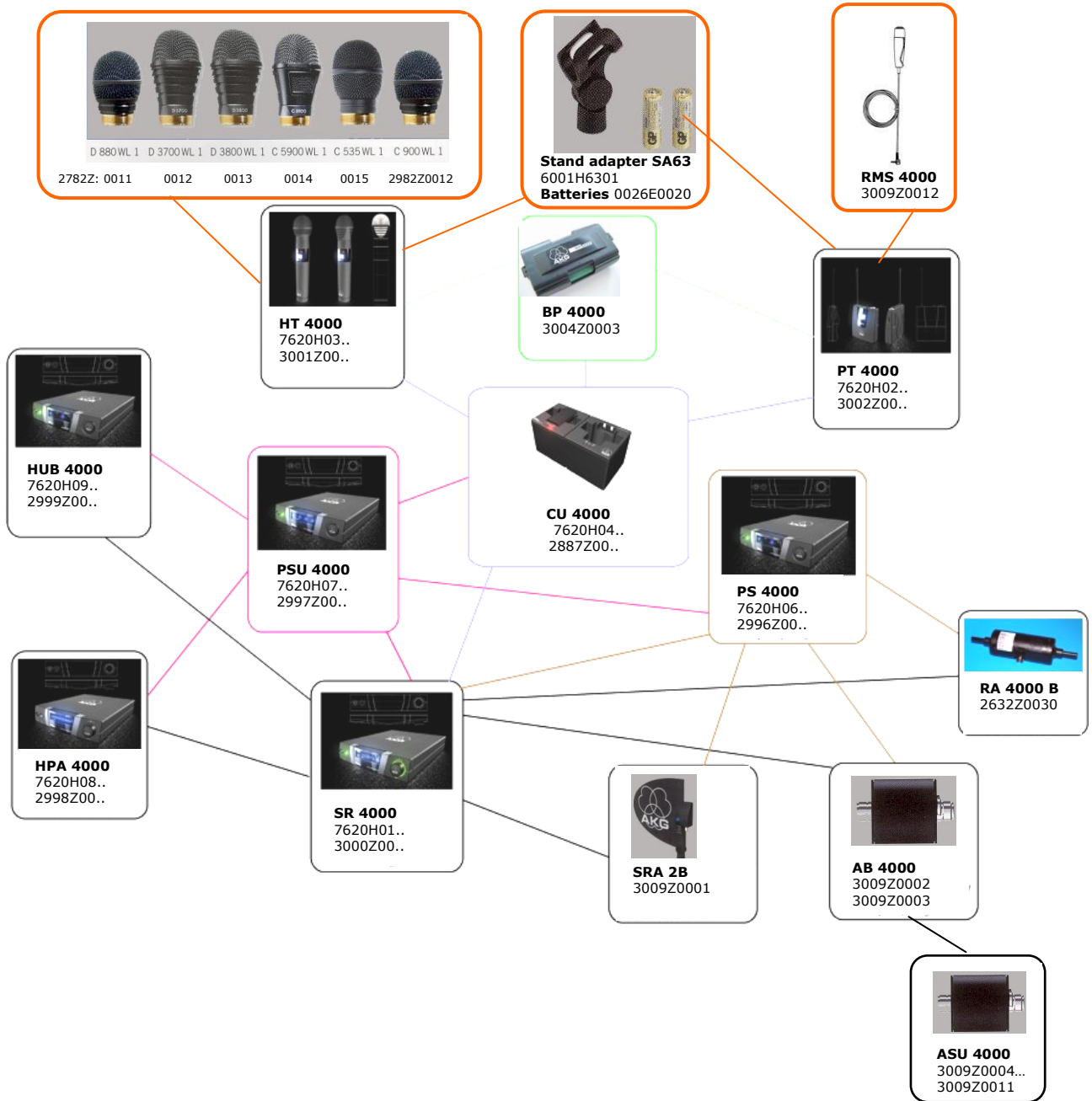
Table of contents:

The complete WMS4000 family	3	Die komplette WMS4000 Familie
HT4000 Handheld Transmitter	4	HT4000 Handsender
HT4500 Handheld Transmitter	5	HT4500 Handsender
PT4000 Pocket Transmitter	8	PT4000 Taschensender
PT4500 Pocket Transmitter	9	PT4500 Taschensender
SR4000 Receiver	13	SR4000 Empfänger
SR4500 Receiver	14	SR4500 Empfänger
Power supplies	16	Netzteile
PS4000 Power Splitter	17	PS4000 Antennenverteiler
RA4000 B Active nondirectional antenna	19	RA4000 B Aktive ungerichtete Antenne
SRA2 B Directivity Antenna	20	SRA2 B Richtantenne
AB4000 Antenna booster	21	AB4000 Antennenverstärker
ASU4000 Antenna supply unit	23	ASU4000 Antennenspeisung
PSU4000 Power supply	25	PSU4000 Netzgerät
HPA4000 Headphone amplifier	28	HPA4000 Kopfhörerverstärker
HUB4000 Computer interface	30	HUB4000 Computer Interface
CU4000 Charging unit	32	CU4000 Ladegerät
RMU4000 Rack mount unit	34	RMU4000 Rack – Montageset
RMS4000 Remote mute switch	34	RMS4000 Remote-Fernschalter
Microphone heads for HT 4000	35	Mikrofonköpfe für HT4000
Various Infos	38	Verschiedene Informationen

Last modification:

Page 15 add part number for crystal
 Page 32 part number for housing parts corrected
 Page 16 power supplies added
 Page 20 new part numbers for housing
 Add page 33, RMS4000
 Add new frequency sets for HT,PT,SR;
 Page 32 pos. 3 corrected
 Page 15 part number for front panel corrected
 Page 15 part number for antenna corrected

The complete WMS4000/4500 - Family

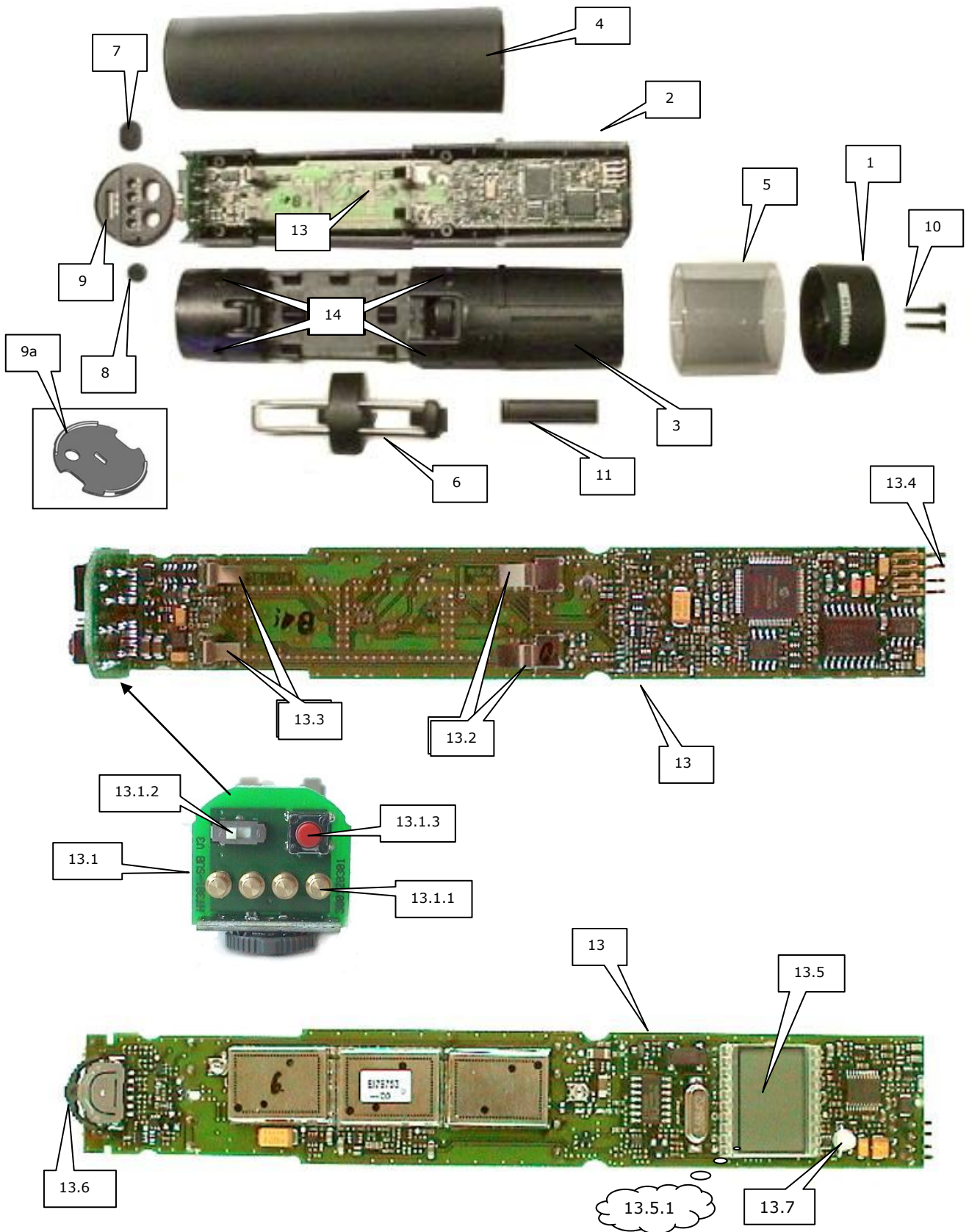


RMU see SR4000 and PS4000 parts list

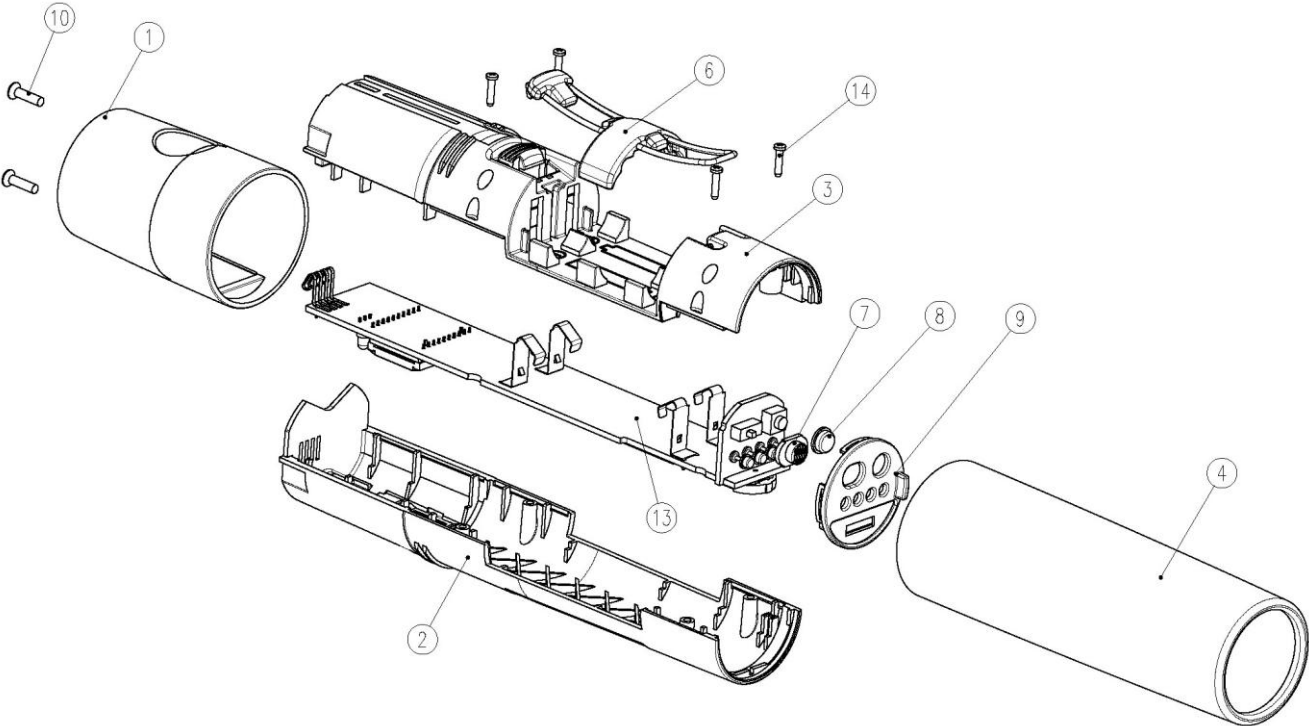
Frequency range Mhz	
Band I	650 - 680
Band II	680 - 710
Band III	720 - 750
Band IV	760 - 790
Band V	790 - 829
Band VI	835 - 862
Band VII	500 - 530
Band VIII	570 - 600

- SR Stationary receiver
- HT Handheld Transmitter
- PT Pocket Transmitter
- PS Power Splitter
- SRA Stationary receiver antenna
- RA Receiver antenna
- AB Antenna booster
- ASU Antenna supply unit
- PSU Power supply unit
- HPA Headphone amplifier
- RMU Rack-mount unit
- BP Battery pack
- CU Charging unit

HT4000 3001Z00...



HT4500 3201Z00...



HT4000/4500 Parts list

HT4000/4500 Stückliste

Description	Pos.	Part number Bestellnummer	Quantity Stück		Bezeichnung
			HT4000	HT4500	
Upper chassis ring	1	3001Z10110	1	-	Oberer Chassisring
Upper chassis ring compl.	1	3201M10100	-	1	Oberer Chassisring kpl.
Housing shell, lower	2	3001Z11010	1	-	Untere Gehäuseschale
Housing shell, lower	2	3001Z11020	-	1	Untere Gehäuseschale
Housing shell, upper	3	3001Z12010	1	-	Obere Gehäuseschale
Housing shell, upper	3	3001Z12020	-	1	Obere Gehäuseschale
Battery sleeve	4	3001Z26040	1	-	Batteriehülse
Battery sleeve	4	3001Z26050	-	1	Batteriehülse
Display cover	5	3001Z14010	1	-	Display – Abdeckung
Battery clamp assembly	6	3001M05010	1	1	Batterieklammer, komplett
Slide button 'Mute'	7	3001Z16010	1	1	Schiebeknopf ,Mute'
Push button 'Power'	8	3001Z17010#	1	-	Druckknopf 'Power'
Push button 'Power' NEW	8	3001Z17020#	1	1	Druckknopf ,Power' NEU
Switch cover	9	3001Z19010	1	1	Schalterabdeckung
Security cap, black	9a	3001Z27010	1	1	Sicherheitsabdeckung, schwarz
Screw KB25x10 black	10	0099N25050	2	2	Schraube KB25x10 schwarz
Color code holder	11	3001Z18010	1	-	Farbcodehalter
Transmitter board, complete	13	3001M010*	1	-	Sendeprint, komplett
Transmitter-board, complete	13	3201M020*0	1	1	Sendeprint, komplett
Sub – board, complete	13.1	3001M03010	1	1	Subprint, komplett
Contact pin	13.1.1	3001Z22010	4	4	Kontaktstift
Slide switch 'Mute'	13.1.2	0040E01980	1	1	Schiebeschalter ,Mute'
Push button switch 'Power'	13.1.3	0040E01970#	1	-	Druckschalter ,Power'
Push button switch 'Power' NEW	13.1.3	0040E02150#	1	1	Druckschalter ,Power' NEU
Battery contact	13.2	3001Z20010	2	2	Batteriekontakt
Battery contact	13.3	3001Z25010	2	2	Batteriekontakt
Contact spring	13.4	3001Z21010	4	4	Kontaktfeder
LCD display	13.5	0013E01990	1	1	LCD – Display
Display backlight	13.5.1	0013E01960	1	1	Displaybeleuchtung
Jog dial switch SW160	13.6	9040E00070	1	1	Jog dial Schalter SW160
Bicolor LED	13.7	9014E00710	1	1	LED zweifarbig
Screw KB18x8 black	14	0099N18020	4	4	Schraube KB18x8 schwarz
Securing screw 18x8 black	14**	9999N07010**	4	-	Sicherheitsschraube 18x8 schwarz
Label "AKG"	15	4802S00020	-	1	Label "AKG"
Stand adapter SA63	--	6001H63010	1	1	Stativklammer SA63
Color code set	--	3001Z24010	1	-	Farbcode-Set
Color cap set	--	2455Z00530***	-	-	Farbkappen-Set

**) for versions IV-B/10, V-D1/10 and V-D2/10 / für Varianten IV-B/10, V-D1/10 und V-D2/10

***) sales item / Vertriebsware

) 3001Z1701 can only be used with 0040E0197 (old version); 3001Z1702 can only be used with 0040E0215 (new version)

) 3001Z1701 nur mit 0040E0197 verwenden (alte Version); 3001Z1702 nur mit 0040E0215 verwenden (neue Version)

*) Important!

As a result of a new board and firmware design of the transmitter board 3201M020...

The board 3001M010.. will be no longer available.

For ordering the HT4000/HT4500 main transmitter boards we need the information as follows.

1. Board number: 3201M02010 – 3201M02080
2. Type: HT4000 or HT4500
3. Preset programming: V-A 50mW (for HT4000) or 5-C 10mW (for HT4500) etc.

HT4000

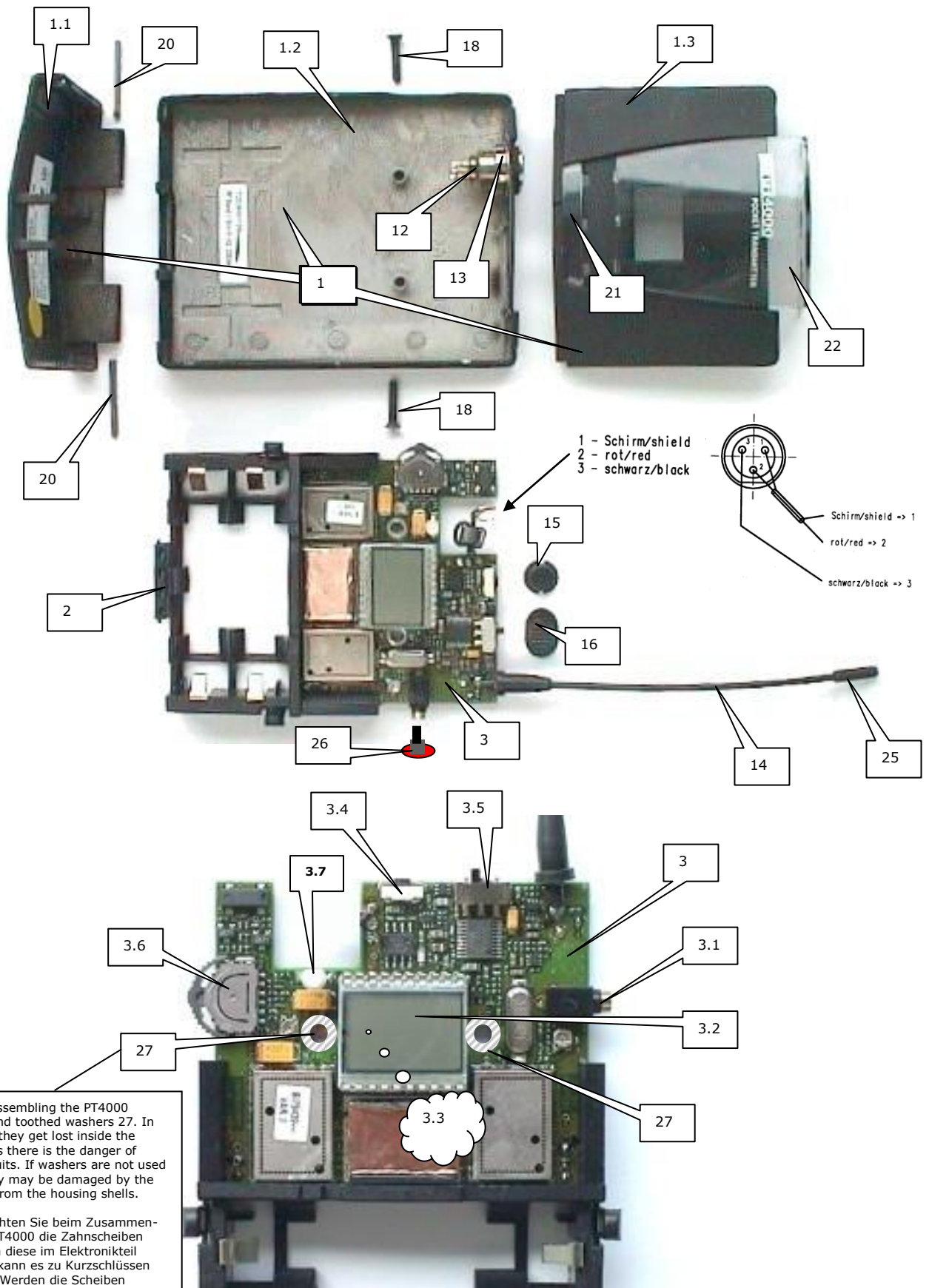
Frequency band and power / Frequenzband und Leistung																										
Pos.	*	I/50	II/50	III/50	IV-A/50	V-A/50	V-B/50	VI-B/50	I/20	II/20	V-A/20	V-C/20	III/20	IV/20	I/10	II/10	III/10	IV-A/10	IV-B/10	V-A/10	V-D1/10	VI-A/10	V-D2/10	V-E/50	III-A/10	V-F/10
3001Z00..		01	02	03	04	05	06	07	08	09	10	11	12	13	14	15	16	17	18	19	20	21	22	23	24	25
13	1	1	-	-	-	-	-	-	1	-	-	-	-	-	1	-	-	-	-	-	-	-	-	-	-	-
13	2	-	1	-	-	-	-	-	-	1	-	-	-	-	-	1	-	-	-	-	-	-	-	-	-	-
13	3	-	-	1	-	-	-	-	-	-	-	-	1	-	-	-	1	-	-	-	-	-	-	-	1	-
13	4	-	-	-	1	-	-	-	-	-	-	-	-	1	-	-	-	1	1	-	-	-	-	-	-	-
13	5	-	-	-	-	1	1	-	-	-	-	1	1	-	-	-	-	-	-	1	1	-	1	1	-	1
13	6	-	-	-	-	-	-	1	-	-	-	-	-	-	-	-	-	-	-	-	-	1	-	-	-	-

Frequency band and power / Frequenzband und Leistung																										
Pos.	*	I-R/30	VI-A/50																							
3001Z00..		26	27	28	29	30	31	32	33	34	35	36	37	38	39	40	41	42	43	44	45	46	47	48	49	50
13	1	1	-																							
13	2	-	-																							
13	3	-	-																							
13	4	-	-																							
13	5	-	-																							
13	6	-	1																							

HT4500

Frequency band and power / Frequenzband und Leistung																				
Pos.	*	BD1 50mW	BD2 50mW	BD3 50mW	BD4 50mW	BD5 50mW	BD5-C 20mW	BD5-D 10mW	BD3 10mW	BD4 10mW	BD6 10mW	BD5-AB 10mW	BD5-B 10mW	BD3-K 10mW	BD6 50mW	BD7 50mW	BD4-G 50mW	BD8 50mW		
3201H00..0		010	020	030	040	050	110	120	160	170	210	220	230	240	270	280	290	300		
13	1	1	-	-	-	-	-	-	-	-	-	-	-	-	-	-	-	-		
13	2	-	1	-	-	-	-	-	-	-	-	-	-	-	-	-	-	-		
13	3	-	-	1	-	-	-	-	1	-	-	-	-	1	-	-	-	-		
13	4	-	-	-	1	-	-	-	-	1	-	-	-	-	-	-	1	-		
13	5	-	-	-	-	1	1	1	-	-	-	1	1	-	-	-	-	-		
13	6	-	-	-	-	-	-	-	-	-	1	-	-	-	1	-	-	-		
13	7	-	-	-	-	-	-	-	-	-	-	-	-	-	-	1	-	-		
13	8	-	-	-	-	-	-	-	-	-	-	-	-	-	-	-	-	1		

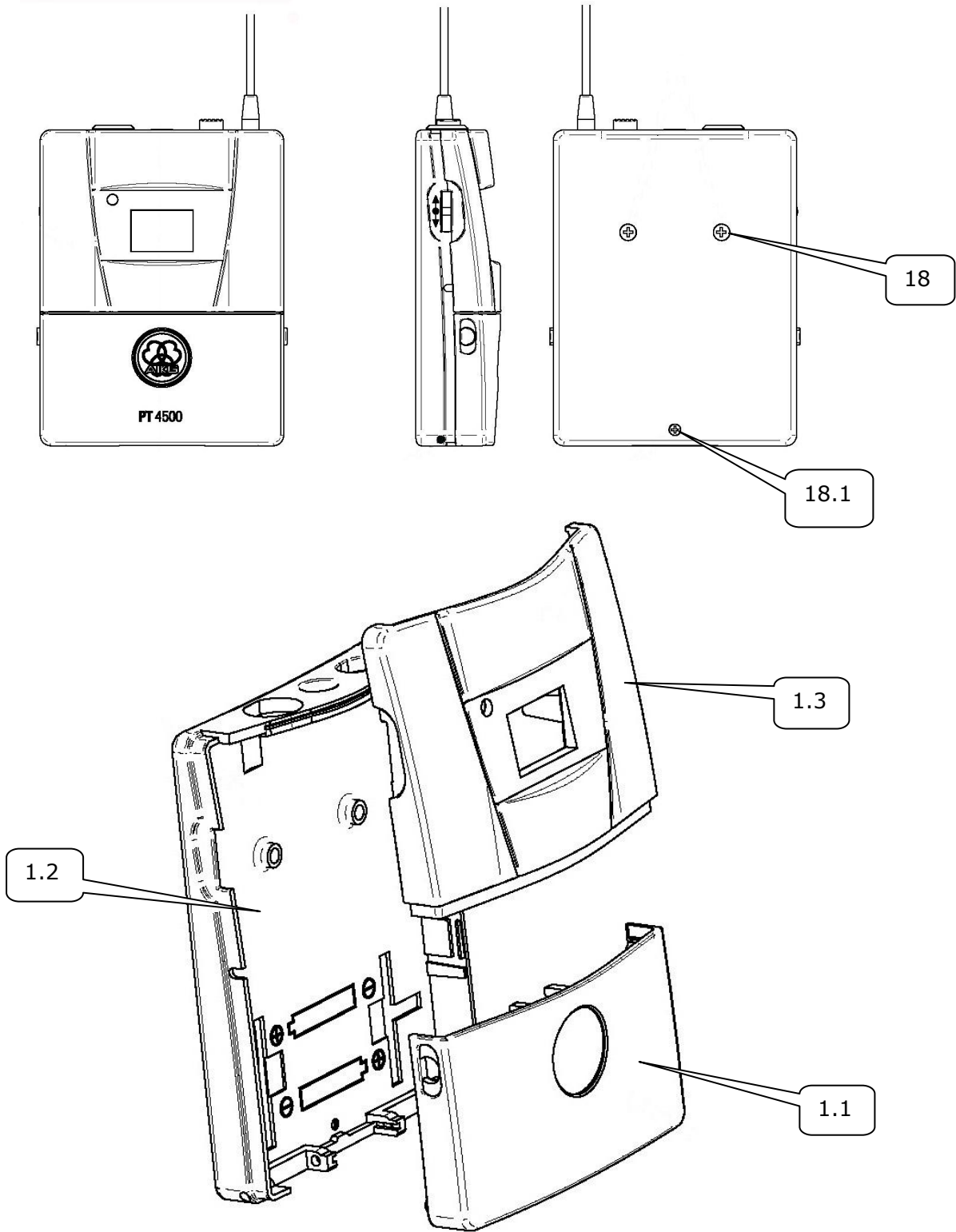
PT4000 3002Z00..



When reassembling the PT4000 please mind toothed washers 27. In case that they get lost inside the electronics there is the danger of short circuits. If washers are not used the display may be damaged by the pressure from the housing shells.

Bitte beachten Sie beim Zusammenbau des PT4000 die Zahnscheiben 27. Gehen diese im Elektronikteil verloren, kann es zu Kurzschlüssen kommen. Werden die Scheiben weggelassen, kann das Display durch Druck der Gehäuseschalen Schaden nehmen.

PT4500 3202Z00...



PT4000/4500 Parts list

PT4000/4500 Stückliste

Description	Pos.	Part number Bestellnummer	Quantity Stück		Bezeichnung
			PT4000	PT4500	
Housing, complete	1	3002M96030	1	-	Gehäuse, komplett
Housing, complete	1	3202M06010	-	1	Gehäuse, komplett
Battery door	1.1	3002Z09010	1	-	Batteriedeckel
Battery door compl.	1.1	3202M06910	-	1	Batteriedeckel kpl.
Housing, bottom	1.2	3002Z06010	1	-	Gehäuse - Unterteil
Housing, bottom	1.2	3202Z06010	-	1	Gehäuse - Unterteil
Housing, upper shell	1.3	3002Z07010	1	-	Gehäuse - Oberteil
Housing, upper shell compl.	1.3	3202M06920	-	1	Gehäuse - Oberteilkpl.
Housing frame assembly	2	3002M05010	1	-	Gehäuserahmen, komplett
Housing frame assembly	2	3002M05020	-	1	Gehäuserahmen, komplett
Transmitter board complete	3	3002M010*	1	-	Sendep rint, komplett
Transmitter-board complete	3	3202M020*	1	1	Sendep rint, komplett
Jack socket 2,5mm 'Remote'	3.1	0017E03560	1	1	Klinkenbuchse 2,5mm 'Remote'
LCD Display	3.2	0013E02000	1	1	LCD Display
Display backlight	3.3	0013E01970	1	1	Displaybeleuchtung
Push button switch SW102 'Power'	3.4	9040E00050	1	1	Druckschalter SW102 'Power'
Slide switch SW101 'Mute'	3.5	9040E00060	1	1	Schiebeschalter SW101 'Mute'
Jog dial switch SW160	3.6	9040E00070	1	1	Jog dial Schalter SW160
Bicolor LED	3.7	9014E00710	1	1	LED zweifarbig
MiniXLR-socket male+cable	12	2540K00010	1	1	MiniXLR-Buchse, männl.+Kabel
Nut for Pos. 12	13	2781Z20020	1	1	Mutter für Pos. 12
Antenna assembly *2	14	3002M21910	1	1	Antenne, kompl. *2
Push button 'Power'	15	3002Z13010	1	1	Druckknopf 'Power'
Slide button 'Mute'	16	3002Z14010	1	1	Schiebknopf 'Mute'
Screw M2,5x12	18	0965D25090	2	2	Schraube, M2,5x12
Securing screw M2,5x12	18**)	9999N0700**)	2	-	Sicherheitsschraube 18x8 schwarz
Screw Ejot KB18x6	18.1	0099N18050	-	1	Schraube Ejot KB18x6
Cylinder pin	20	0007D20050	2	2	Zylinderstift
Color code cover	21	3002Z16010	1	-	Farbcode - Abdeckung
Display cover	22	3002Z08010	1	-	Display - Abdeckung
Antenna cap	25	2890Z18010	1	1	Antennenkappe
Mute pin	26	3002Z29010	1	1	Mute-Stift
Toothed washer	27	9999N07430	2	-	Zahnscheibe
Belt clip	--	3002Z10010	1	1	Gürtelklammer
Color code set	--	3002Z17010	1	-	Farbcodeset

**) for versions IV-B/10, V-D1/10 and V-D2/10 / für Varianten IV-B/10, V-D1/10 und V-D2/10

*2) Please see table for Antenna length on next page / Tabelle für Antennenlänge auf der nächsten Seite

*) Important!

As a result of a new board and firmware design of the transmitter board 3202M020...
The board 3002M010.. will be no longer available.

For ordering the PT4000/PT4500 main transmitter boards we need the information as follows.

1. Board number: 3202M02010 – 3202M02080
2. Type: PT4000 or PT4500
3. Preset programming: V-A 50mW (for PT4000) or 5-C 10mW (for PT4500) etc.

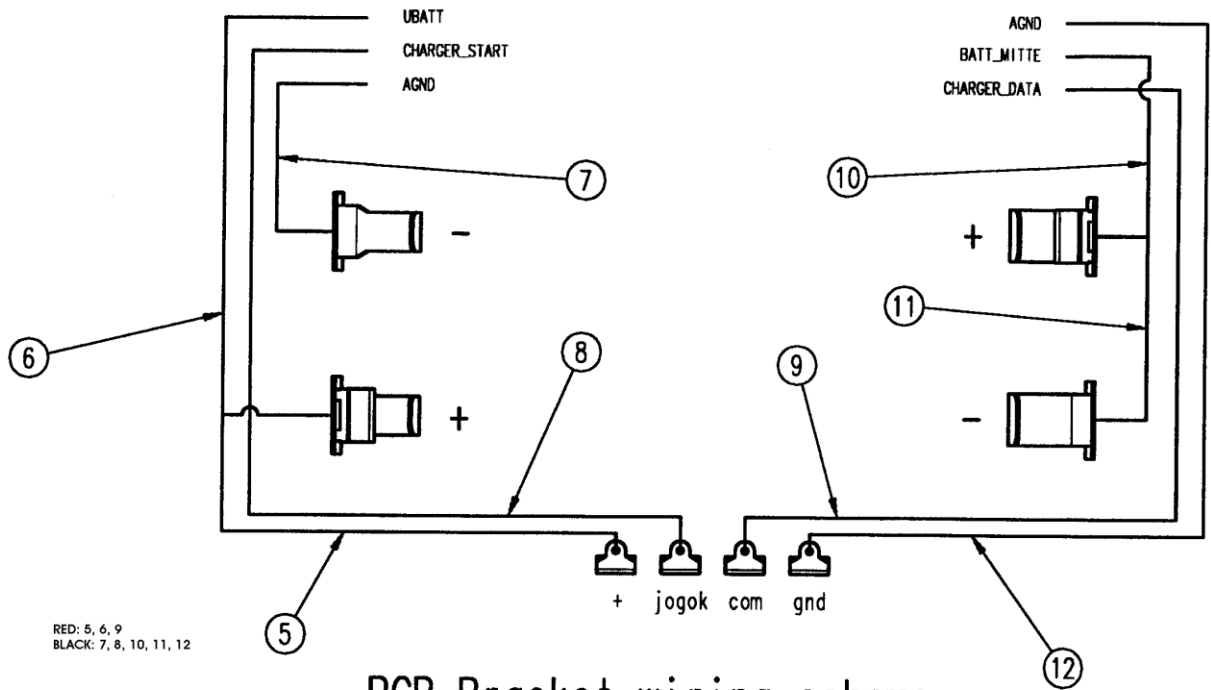
PT4000

		Frequency band and power / Frequenzband und Leistung																								
Pos.	*	I/50	II/50	III/50	IV-A/50	V-A/50	V-B/50	VI-B/50	I/20	II/20	V-A/20	V-C/20	III/20	IV/20	I/10	II/10	III/10	IV-A/10	IV-B/10	V-A/10	V-D1/10	VI-A/10	V-D2/10	V-E/50	III-A/10	V-F/10
3002Z00..		01	02	03	04	05	06	07	08	09	10	11	12	13	14	15	16	17	18	19	20	21	22	23	24	25
3	1	1	-	-	-	-	-	-	1	-	-	-	-	-	1	-	-	-	-	-	-	-	-	-	-	-
3	2	-	1	-	-	-	-	-	-	1	-	-	-	-	-	1	-	-	-	-	-	-	-	-	-	-
3	3	-	-	1	-	-	-	-	-	-	-	-	1	-	-	-	1	-	-	-	-	-	-	-	1	-
3	4	-	-	-	1	-	-	-	-	-	-	-	-	1	-	-	-	1	1	-	-	-	-	-	-	-
3	5	-	-	-	-	1	1	-	-	-	1	1	-	-	-	-	-	-	-	1	1	-	1	1	-	1
3	6	-	-	-	-	-	-	1	-	-	-	-	-	-	-	-	-	-	-	-	-	1	-	-	-	-

		Frequency band and power / Frequenzband und Leistung																																		
Pos.	*	I-R/30	VI-A/50																																	
3002Z00..		26	27	28	29	30	31	32	33	34	35	36	37	38	39	40	41	42	43	44	45	46	47	48	49	50										
3	1	1	-																																	
3	2	-	-																																	
3	3	-	-																																	
3	4	-	-																																	
3	5	-	-																																	
3	6	-	1																																	

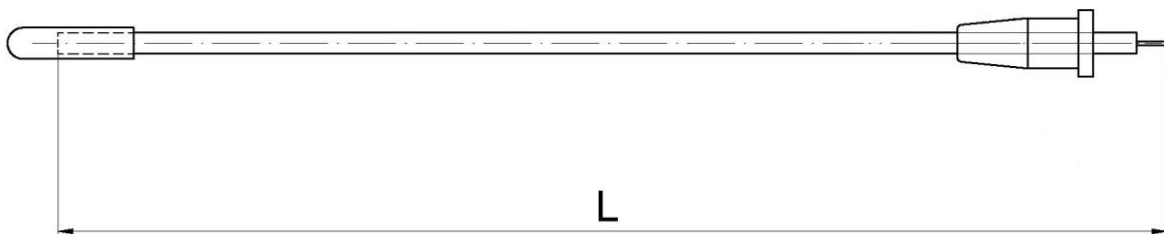
PT4500

		Frequency band and power / Frequenzband und Leistung																			
Pos.	*	BD1 50mW	BD2 50mW	BD3 50mW	BD4 50mW	BD5 50mW	BD5-C 20mW	BD5-D 10mW	BD3 10mW	BD4 10mW	BD6 10mW	BD5-AB 10mW	BD5-B 10mW	BD3-K 10mW	BD6 50mW	BD7 50mW	BD4-G 50mW	BD8 50mW			
3202H00...		010	020	030	040	050	110	120	160	170	210	220	230	240	270	280	290	300			
3	1	1	-	-	-	-	-	-	-	-	-	-	-	-	-	-	-	-			
3	2	-	1	-	-	-	-	-	-	-	-	-	-	-	-	-	-	-			
3	3	-	-	1	-	-	-	-	1	-	-	-	-	1	-	-	-	-			
3	4	-	-	-	1	-	-	-	-	1	-	-	-	-	-	-	1	-			
3	5	-	-	-	-	1	1	1	-	-	1	1	-	-	-	-	-	-			
3	6	-	-	-	-	-	-	-	-	-	1	-	-	-	1	-	-	-			
3	7	-	-	-	-	-	-	-	-	-	-	-	-	-	-	1	-	-			
3	8	-	-	-	-	-	-	-	-	-	-	-	-	-	-	-	-	1			

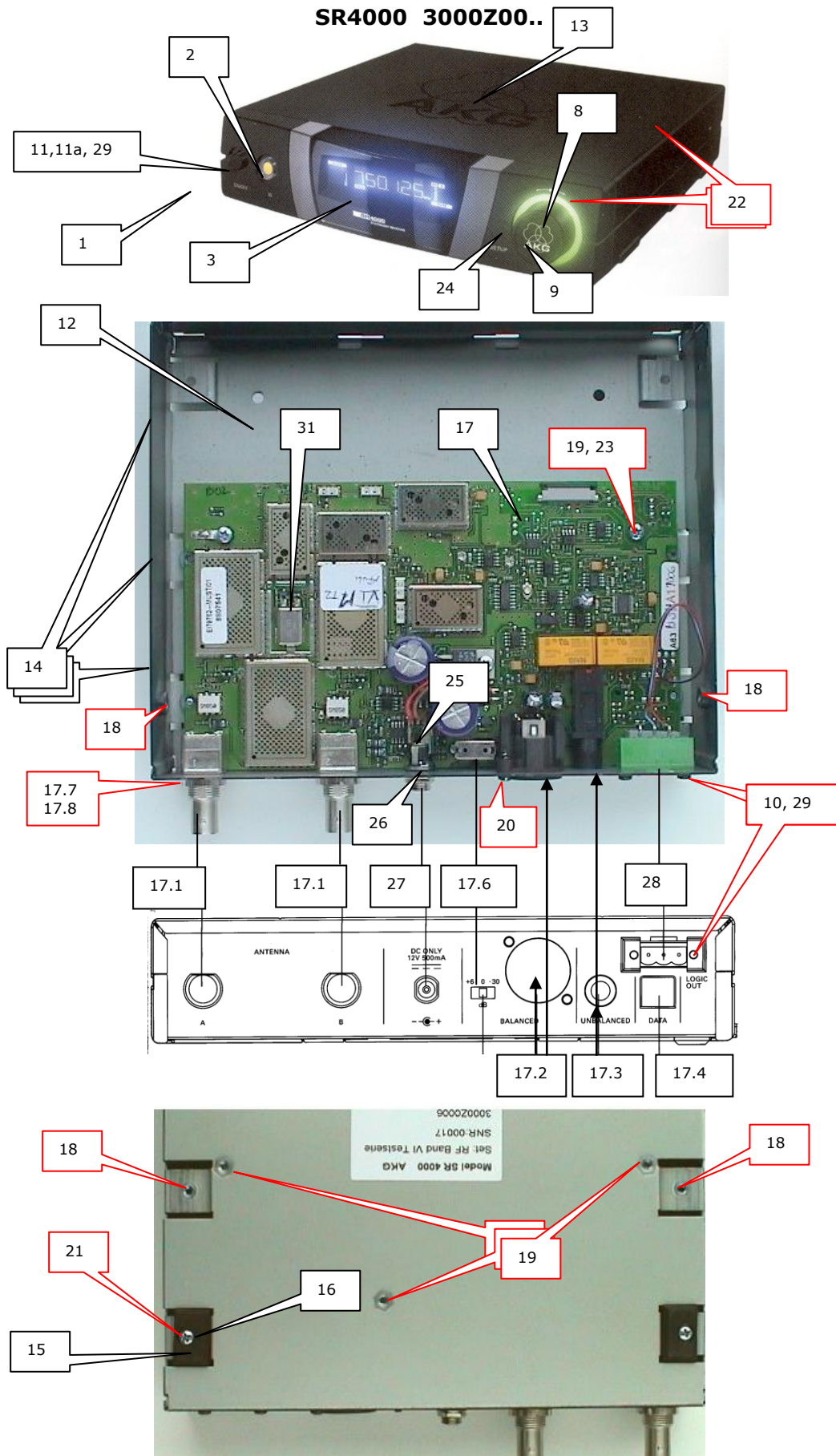


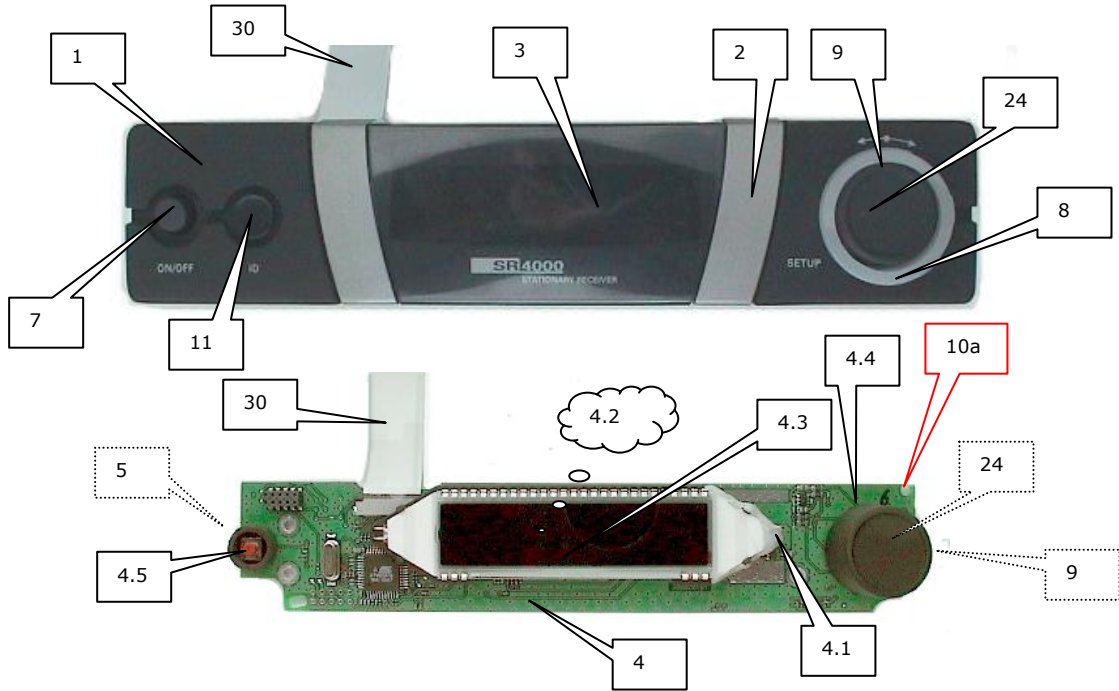
PCB_Bracket wiring scheme (back view)

Antenna PT4000 3002M21910

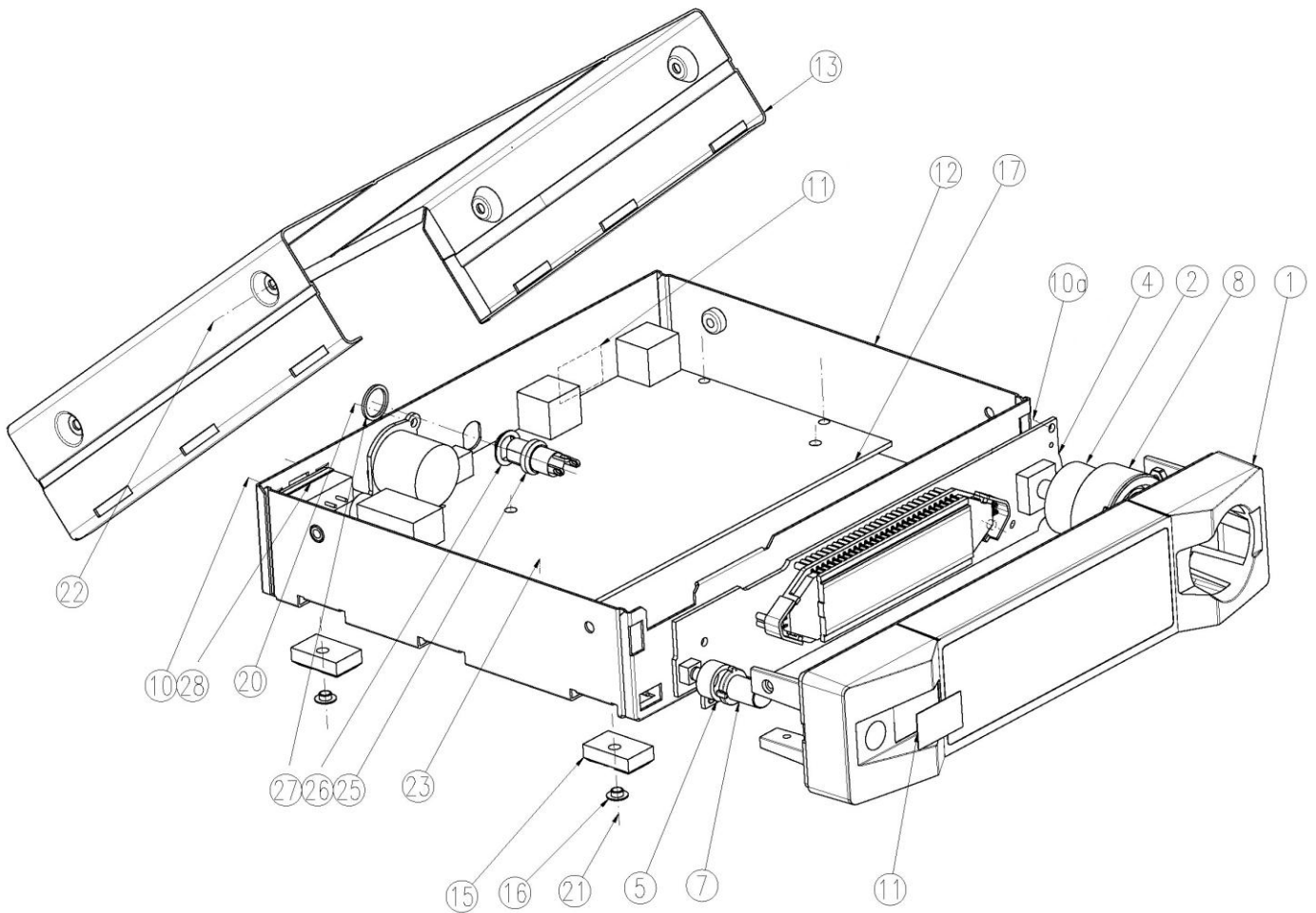


Band	" L " length in mm
I + VIII	110
II	100
III & IV	92
V & VI	86
VII	135





SR4500 3200Z00...



SR4000/4500 Parts list

SR4000/4500 Stückliste

Description	Pos.	Part number Bestellnummer	Quantity Stück		Bezeichnung
			SR4000	SR4500	
Front panel	1	3000Z22110	1	-	Frontplatte neue version
Front panel complete	1	3200M10210	-	1	Frontplatte kpl.
Display cover	2	3000Z23010	1	-	Displayabdeckung
Jog-button complete	2	3200M15010	-	1	Jog-Knopf
Display glass	3	3000Z24010	1	-	Displayglas
Display board, complete	4	3000M01010	1	-	Displayprint, komplett
Display board, complete	4	3200M01010	-	1	Displayprint, komplett
Display holder	4.1	3000Z30010	1	1	Displayhalter
Display backlight	4.2	0013E01950	1	1	Displaybeleuchtung
LCD Display	4.3	0013E01980	1	-	LCD Display
LCD Display	4.3	0050E00100	1	1	LCD Display
Jog dial switch SW170	4.4	0040E02000	1	1	Dreh-Drück-Schalter SW170
Push button switch POWER_T	4.5	0040E01970	1	1	Druckschalter POWER_T
LED red	--	9014E00770	4	4	LED rot
LED green	--	9014E00760	4	4	LED green
Washer 1 for on/off-switch	5	3000Z31010	1	1	Scheibe 1 für on/off Schalter
Washer 2 for on/off-switch	6	3000Z32010	1	-	Scheibe 2 für on/off Schalter
Button for on/off-switch	7	3000Z33110	1	-	Knopf für on/off-Schalter
Button for on/off-switch	7	3200Z13010	-	1	Knopf für on/off-Schalter
Indicator ring	8	3000Z34010	1	-	Indikator-Ring
Indicator ring	8	3200Z11010	-	1	Indikator-Ring
Jog-button (also see pos.24)	9	3000M20110	1	-	Jog-Knopf (siehe auch Pos.24)
Screw M2,5x5	10	7985D25020	2	2	Schraube M2,5x5
Locking screw	10a	7500D25000	4	4	Sicherungsschraube
Color indicator, black	11	3000Z36110	1	-	Farb-Indikator, schwarz
Color indicator, transparent	11a	3000Z36020	1	-	Farb-Indikator, transparent
Frequency label	11	4803S00 ₀₁₀₋₁₈₀	-	2	Frequenzaufkleber
Holder (mounted on 11a)	--	3000Z40010	1	-	Halter (montiert auf 11a)
Housing	12	3000M11010	1	1	Gehäuse
Housing cover	13	3000Z15010	1	1	Haube
Filler piece	14	3000Z18010	6	-	Einsatz
Foot	15	3000Z20010	4	4	Fuß
Bushing	16	3000Z21010	4	4	Hülse
Main board , complete	17	3200M020*0	1	1	Hauptprint, komplett
BNC Ant.-socket ST200,300	17.1	0017E02390	2	2	BNC Ant.-Buchse ST200,300
XLR connector ST800	17.2	0016E03690	1	1	XLR-Buchse ST800
Stereo jack socket ST801	17.3	0017E03570	1	1	Stereoklinkenbuchse ST801
Data connector ST_PROG	17.4	0017E04100	1	1	Data-Buchse ST_PROG
Slide switch (level) S800	17.6	0040E01990	1	1	Schiebeschalter (Pegel) S800
Ring nut	17.7	2841Z10010	2	2	Ringmutter
Securing washer	17.8	9999N06050	2	2	Sicherungsscheibe
Screw PTKB30x8	20	0099N30080	2	2	Schraube PTKB30x8
Screw M3x8 for feet	21	7985D30110	7	7	Schraube M3x8 für Füße
Screw M3x12 for housing cover	22	7985D30120	4	4	Schraube M3x12 für Haube
Screw M3x16 for housing cover	22	7985D30130	4	4	Schraube M3x16 für Haube
Label 'AKG' for Pos. 9	24	3000Z37010	1	-	Schild 'AKG' für Pos. 9
Label 'AKG' for Pos. 9	24	4786S00010	-	1	Schild 'AKG' für Pos. 9
Insulation	27	3000Z38010	1	1	Isolierung
Insulating disc	26	3000Z39010	1	1	Isolierscheibe
DC-Jack socket	25	0110E02710	1	1	DC-Buchse
Logic out socket	28	0016E03810	1	1	Logic_out-Buchse
Plug for pos.28	--	0017E03590	1	1	Stecker für Pos.28
Ribbon cable	30	0100E03270	1	1	Flachbandkabel
Crystal 99,3	31	9011E04200	1	1	Quarz 99,3
Crystal 120,7	31	9011E02300	-	1	Quarz 120,7

Antenna BD 1-5	--	0018E02240	2	2	Antenne BD 1-5
Antenna BD 7-8	--	9999N07440	-	2	Antenne BD 7-8
DC-Connector for power adapter	--	Switchcraft S760K	-	-	DC-Stecker für Netzteil
Color code set	--	9110U32900	1	-	Farbcodeset
Rack mount unit RMU1	--	3000Z28010	1	1	Rack-Einbausatz RMU1
Rack mount unit RMU2	--	3000Z26010	1	1	Rack-Einbausatz RMU2
Rack mount unit RMU4	--	3000Z29010	1	1	Rack-Einbausatz RMU4
Cover for RMU antenna holes	--	9999N05810	2	2	Abdeckung für RMU Ant. Öffnungen

*) Important!

As a result of a new board and firmware design of the receiver board 3200M020...
The board 3000M020.. will be no longer available.

For ordering the SR4000/SR4500 main receiver boards we need the information as follows.

1. Board number: 3200M02010 – 3200M02080
2. Type: SR4000 or SR4500
3. Preset programming: V-A (for SR4000) or 5-C (for SR4500) etc.

SR4000

Frequency band / Frequenzband																		
Pos	*	I	II	III	IV-A	V-A	V-B	V-C	V-D	VI-A	VI-B	IV-B	V-E Korea	III-A Thailand	V-F Hong-Kong	I-R Romania		
3000Z00..		01	02	03	04	05	06	08	09	10	11	12	13	14	15	16		
17	1	1	-	-	-	-	-	-	-	-	-	-	-	-	-	1		
17	2	-	1	-	-	-	-	-	-	-	-	-	-	-	-	-		
17	3	-	-	1	-	-	-	-	-	-	-	-	-	1	-	-		
17	4	-	-	-	1	-	-	-	-	-	-	1	-	-	-	-		
17	5	-	-	-	-	1	1	1	1	-	-	-	1	-	1	-		
17	6	-	-	-	-	-	-	-	-	1	1	-	-	-	-	-		

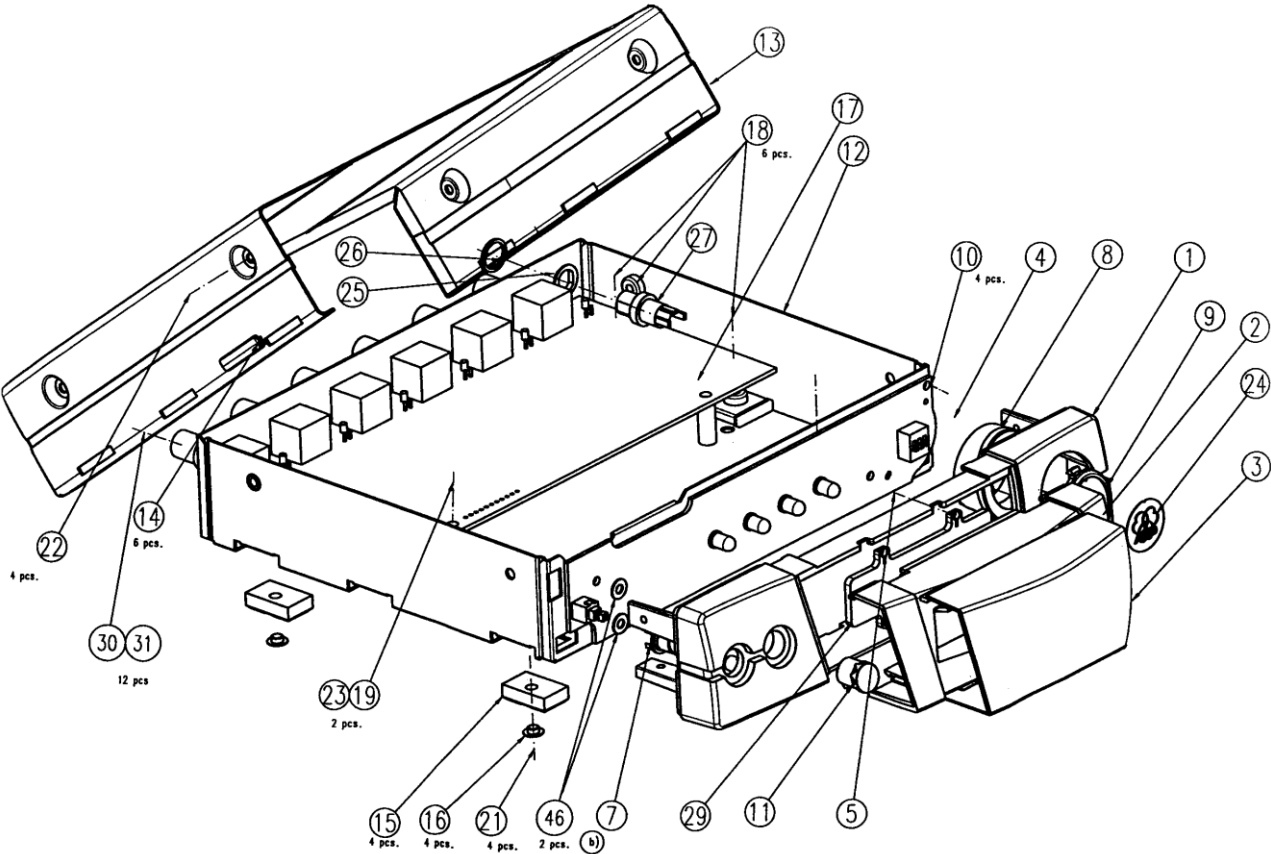
SR4500

Frequency band/ Frequenzband																
Pos.	*	BD1	BD2	BD3	BD4	BD5	BD5-C	BD5-D	BD6	BD3-K	BD7	BD8	BD5-AB	BD5-B		
3200H00..		010	020	030	040	050	080	090	100	140	170	180	220	230		
17	1	1	-	-	-	-	-	-	-	-	-	-	-	-		
17	2	-	1	-	-	-	-	-	-	-	-	-	-	-		
17	3	-	-	1	-	-	-	-	-	1	-	-	-	-		
17	4	-	-	-	1	-	-	-	-	-	-	-	-	-		
17	5	-	-	-	-	1	1	1	-	-	-	-	1	1		
17	6	-	-	-	-	-	-	-	1	-	-	-	-	-		
17	7	-	-	-	-	-	-	-	-	-	1	-	-	-		
17	8	-	-	-	-	-	-	-	-	-	-	1	-	-		

Power supplies WMS4000/4500

	WMS products Power rating	WMS4000/4500 12V,500mA	CU4000 12V, 1,5A
SMPS level 5	Power supply EU,US,UK	-	7801H00100
	Power supply EU,US,UK,AU	7801H00130	-

PS4000 2996Z00..



PS4000/W Parts list

PS4000/W Stückliste

<i>Description</i>	<i>Pos.</i>	<i>Part number Bestellnummer</i>	<i>Quantity Stück</i>	<i>Bezeichnung</i>
Front panel	1	3000Z22120	1	Frontplatte
Display cover	2	3000Z23020	1	Displayabdeckung
Display glass	3	3000Z24010	1	Displayglas
Front board, complete	4	3000M06010	1	Frontprint, komplett
Front board, complete new	4	2996M01010	1	Frontprint, komplett neu
On/off switch S100	--	0040E02070	1	On/off Schalter S100
DIP switch JP100	--	0040E02040	1	DIP-Schalter JP100
LED red	--	0014E01620	2	LED rot
LED blue	--	0014E01630	2	LED blau
Screw PTKC14x4 for 2, 2?	5	0099N14020	4	Schraube PTKC14x4 für 2,2?
Button for on/off-switch *	7	3000Z41010	1	Knopf für on/off-Schalter *
Cover-ring	8	3000Z45010	1	Abdeckring
Button	9	3000Z46010	1	Knopf
Screw M2,5x5 for 4 and 28?	10	7985D25020	4	Schraube M2,5x5 für 4 und 28
Locking screw	10	7500D25000	4	Sicherungsschraube
Color indicator, black	11	3000Z36010	1	Farb-Indikator, schwarz
Housing	12	3000Z14010	1	Gehäuse
Housing	12	3000Z19010	1	Gehäuse
Housing cover	13	3000Z16020	1	Haube
Housing cover	13	3000Z15010	1	Haube
Filler piece	14	3000Z18010	4	Einsatz
Foot	15	3000Z20010	4	Fuß
Bushing	16	3000Z21010	4	Hülse
Main board , complete	17	3000M05010	1	Hauptprint, komplett
BNC Ant.-socket	17.1	0017E02390	12	BNC Antennenbuchse
Screw M3x8 for 15 and 17	21	7985D30110	6	Schraube M3x8 für 15 und 17
Screw M3x12 for housing cover	22	7985D30120	4	Schraube M3x12 für Haube
Label 'AKG' for Pos. 9	24	3000Z37010	1	Schild 'AKG' für Pos. 9
Insulation	25	3000Z38010	1	Isolierung
Insulating disc	26	3000Z39010	1	Isolierscheibe
DC-Jack socket complete	27	0110E02710	1	DC-Buchse komplett
Cover	29	3000Z16020	1	Abdeckung
Ring nut	30	2841Z10010	12	Ringmutter
Securing washer	31	9999N06050	12	Sicherungsscheibe
Washer	46	0125D03260	2	Scheibe
Rack mount unit RMU1	--	3000Z25010	1	Rack-Einbausatz RMU1
Rack mount unit RMU2	--	3000Z26010	1	Rack-Einbausatz RMU2
Rack mount unit RMU4	--	3000Z27010*)	1	Rack-Einbausatz RMU4
Cover for RMU antenna holes	--	9999N05810	2	Abdeckung für RMU Ant. Öffnungen

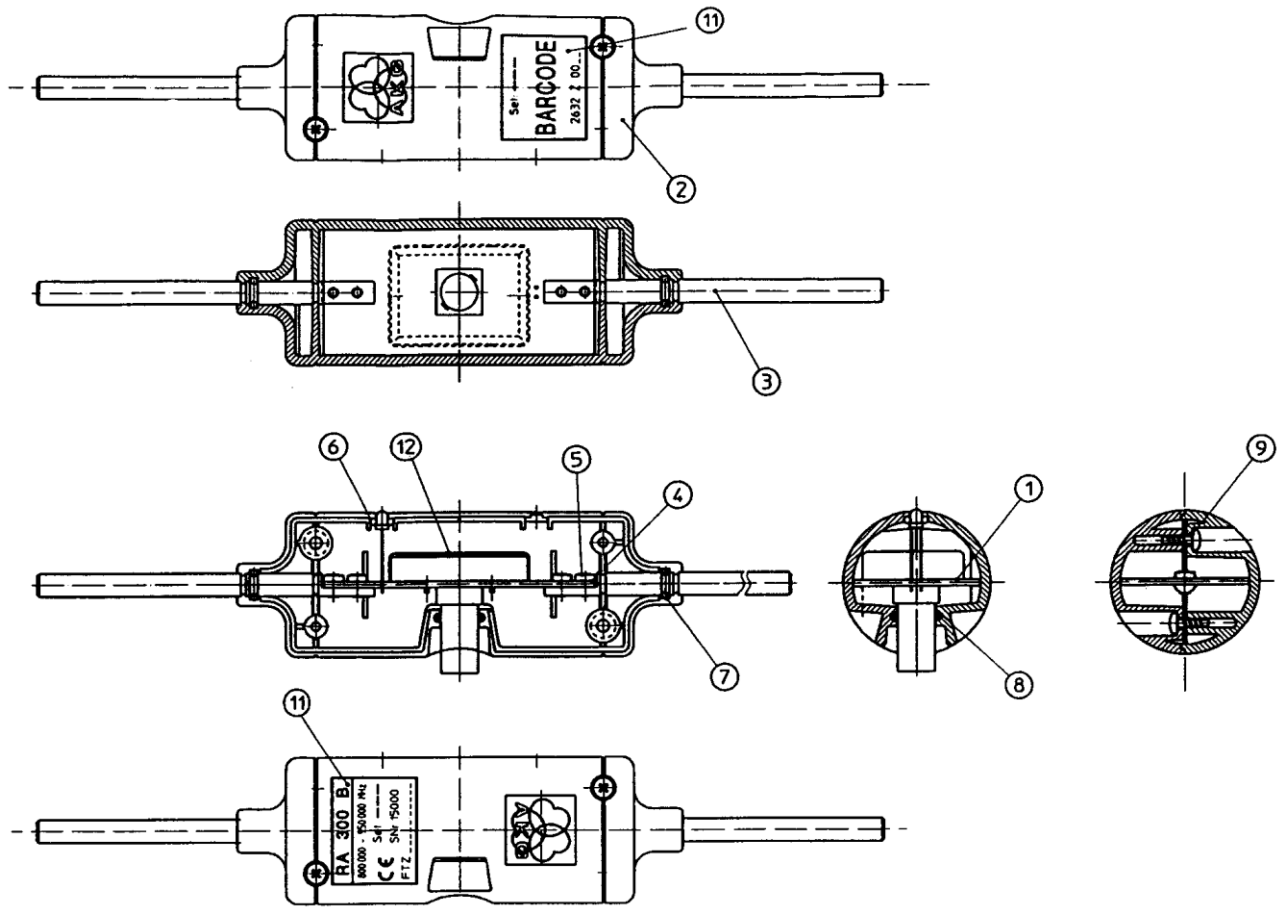
* Future versions of the PS4000 will not have an on/off switch, the button will be replaced by part 11

Crossed out positions were used for the first series only or for the short housing version
durchgestrichene Positionen wurden nur bei erster Produktion bzw. kurzem Gehäuse verwendet.

*) for variations 1 to 4 only / nur für Varianten 1 bis 4

RA4000 B 2632Z0030

RA4000 B/W 2632Z0032

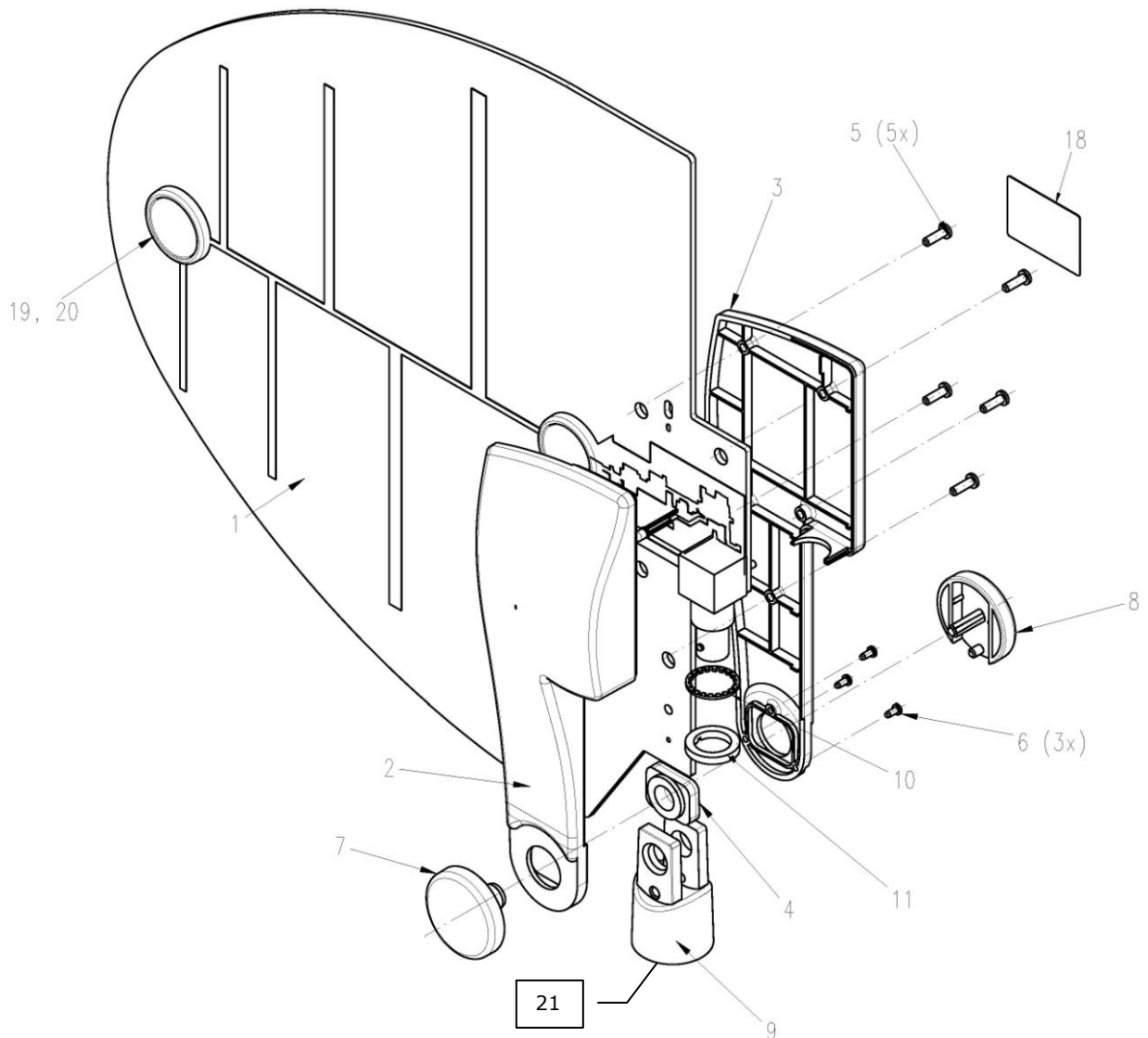


RA4000 B/W Parts list

RA4000 B/W Stückliste

Description	Pos.	Part number Bestellnummer	Quantity Stück	Bezeichnung
Printed circuit board, compl. RA4000B	±	2632M03010	±	Print, komplett
Printed circuit board, compl. RA4000B/W	1	2632M04020	1	Print, komplett
Housing	2	2632M02020	1	Housing
Antenna rod	3	2632Z06010	2	Stabantenne
Locking screw	4	7500D25000	4	Sicherungsschraube
Rubber ring	6	6000N00110	1	O-Ring
Rubber ring	7	6000N00180	2	O-Ring
Rubber ring	8	6000N00160	1	O-Ring
Screw KB30x8	9	0099N30080	4	Schraube KB30x8
Label	11	4717S00010 #)	1	Schild
Stand adapter SA43	--	6001H06310	1	Stativanschluß

#) please state frequency / bitte Frequenz angeben



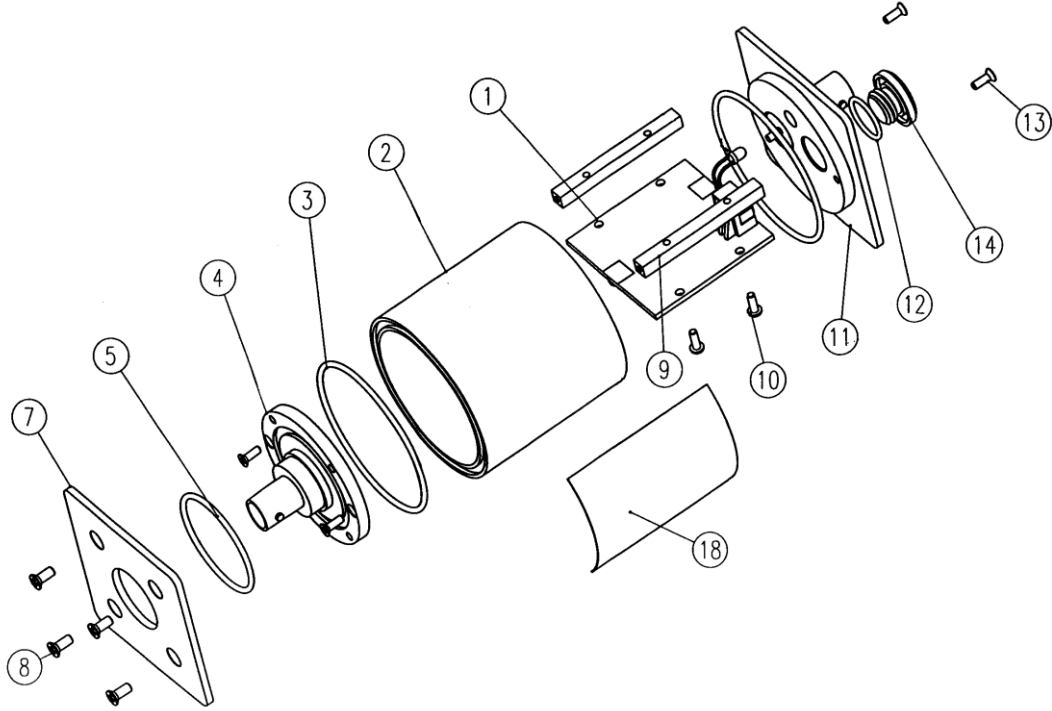
SRA2 B/W Parts list

SRA2 B/W Stückliste

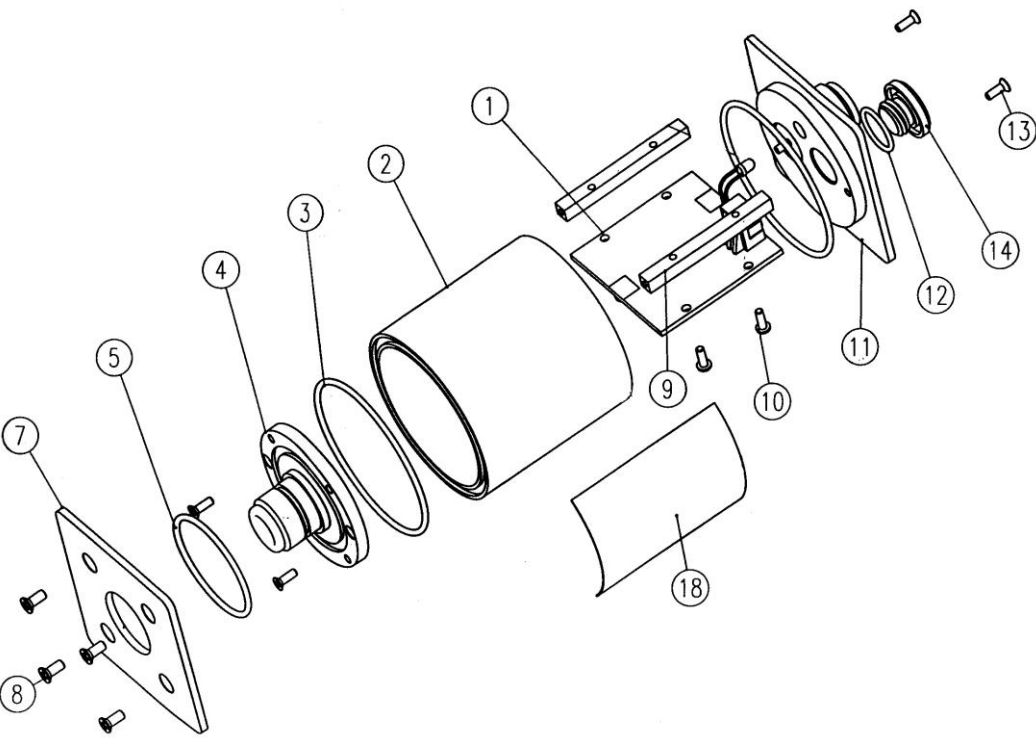
Description	Pos.	Part number Bestellnummer	Quantity Stück	Bezeichnung
Board complete SRA2B	1	3009M03010	1	Print komplett
Board complete SRA2B/W	1	3009M05020	1	Print komplett
Housing, upper part B/W	2	3009Z11110	1	Gehäuseoberteil
Housing, upper part W	2	3009Z11120	1	Gehäuseoberteil
Housing, lower part	3	3009Z12110	1	Gehäuseunterteil
Brake	4	3009Z13010	1	Bremse
Screw KB25x8	5	0099N25060	5	Schraube KB25x8
Screw KB18x4	6	0099N18070	3	Schraube KB18x4
Stand adapter cover	7	2812Z02010	1	Stativanschluss-Abdeckung
Cover with tap	8	2812Z03010	1	Abdeckung mit Zapfen
Stand adapter head	9	2812Z04010	1	Stativadapter-Kopf
Securing washer	10	9999N06050	1	Sicherungsscheibe
Ring nut	11	2841Z10010	1	Ringmutter
Device sticker	18	4717S00010#)	1	Typenschild
Cover 1	19	3009Z38010	2	Abdeckung 1
Cover 2	20	3009Z39010	2	Abdeckung 2
Thread adapter	21	1649Z00030	1	Reduzierstück

#) please state frequency / bitte Frequenz angeben

AB4000 BNC 3009Z00..



AB4000 N



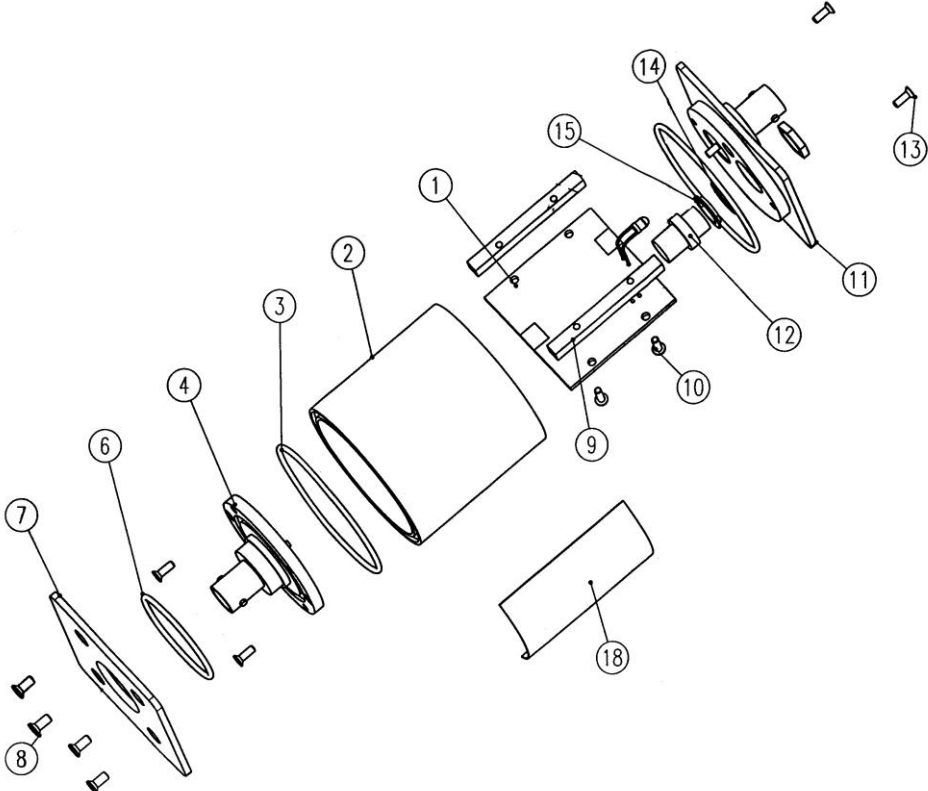
AB4000 Parts list

AB4000 Stückliste

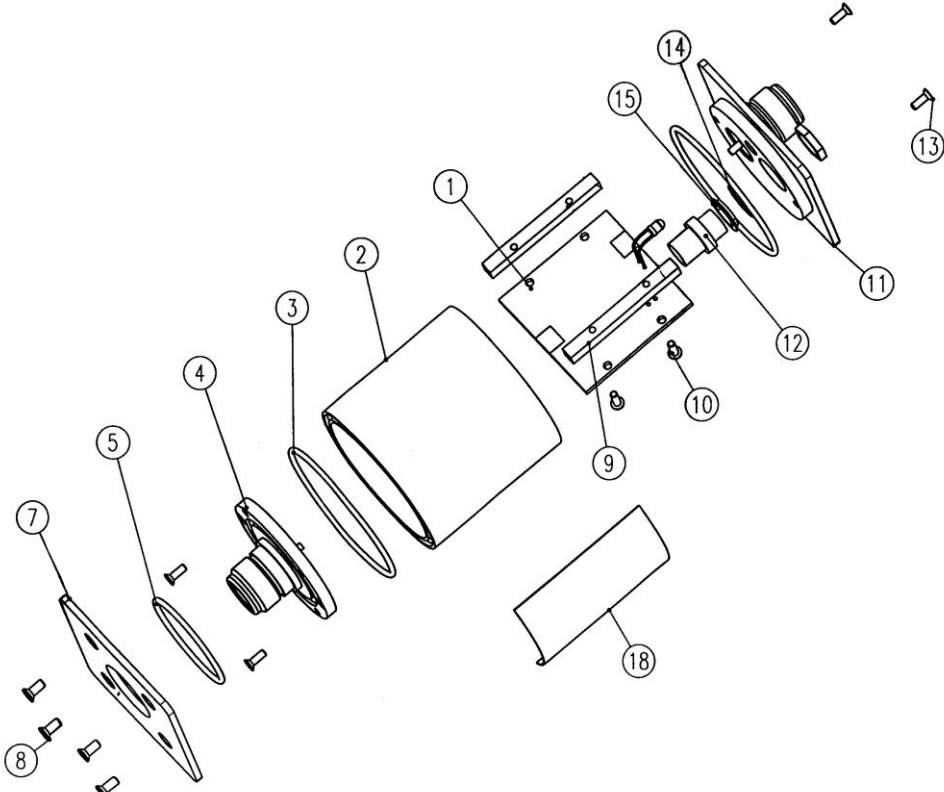
AB 4000 BNC, **3009Z0002**: AAB 4000 N, **3009Z0003**: B A

Description	Pos	Part number Bestellnummer	Quantity / Stück		Bezeichnung
			A	B	
Board complete	1	3009M01010	1	1	Print komplett
Housing	2	3009Z20010	1	1	Gehäuse
Rubber ring 45x1.5	3	6000N00190	2	2	O-Ring 45x1,5
Lid, circular	4	3009Z21010	1	1	Deckel, rund
Lid, complete with connector	4	3009M10040	1	-	Deckel kpl. mit Stecker
Lid, complete with connector	4	3009M10030	-	1	Deckel kpl. mit Stecker
Rubber ring 28x1.5	5	6000N00250	1	1	O-Ring 28x1,5
BNC connector, female	6	0017E02410	2	-	BNC-Buchse, weiblich
N connector, female	6	0017E02400	-	2	N Buchse, weiblich
Plate	7	3009Z22010	1	1	Platte
Screw M3x8	8	0965D30030	4	4	Schraube M3x8
Holder	9	3009Z23010	2	2	Stütze
Screw M2x6	10	7985D20050	4	4	Schraube M2x6
Lid	11	3009Z24010	1	1	Deckel
Lid, complete with connector	11	3009M10020	1	-	Deckel kpl. mit Stecker
Lid, complete with connector	11	3009M10010	-	1	Deckel kpl. mit Stecker
Rubber ring 10x1.5	12	6000N00240	1	1	O-Ring 10x1,5
Screw M2x10	13	0965D20060	4	4	Schraube M2x10
Screw	14	3009Z26010	1	1	Schraube
Device sticker	18	9110U32420	1	-	Typenschild
	18	9110U32390	-	1	

ASU4000 BNC 3009Z00..



ASU4000 N



ASU4000 Parts list

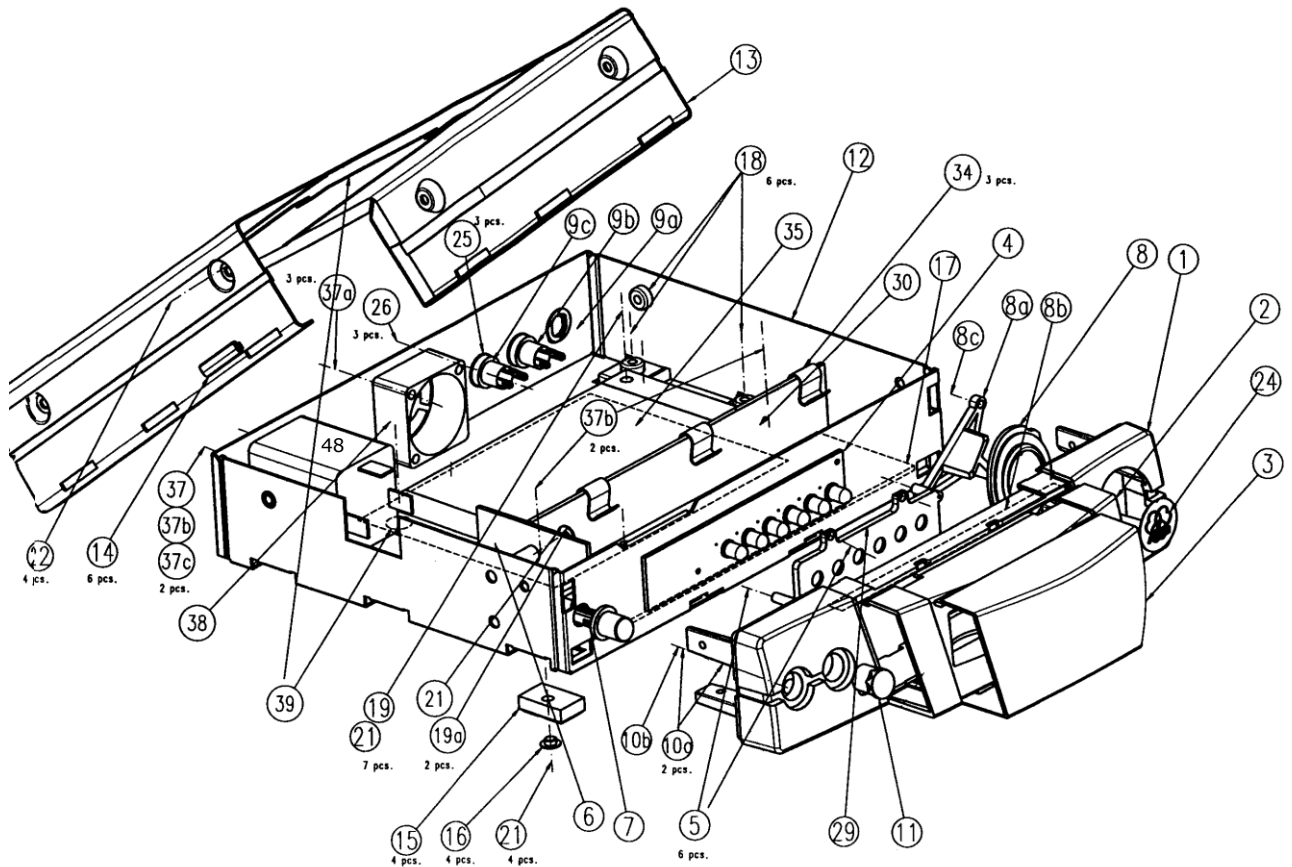
ASU4000 Stückliste

ASU 4000 EU BNC: 04	A	ASU 4000 UK N: 08	E
ASU 4000 UK BNC: 05	B	ASU 4000 US N: 09	F
ASU 4000 US BNC: 06	C	ASU 4000 BNC: 10	G
ASU 4000 EU N: 07	D	ASU 4000 N: 11	H

3009Z00..

Description	Pos	Part number Bestellnummer	Quantity / Stück								Bezeichnung
			A	B	C	D	E	F	G	H	
Board complete	1	3009M02010	1	1	1	1	1	1	1	1	Print komplett
Housing	2	3009Z20010	1	1	1	1	1	1	1	1	Gehäuse
Rubber ring	3	6000N00190	2	2	2	2	2	2	2	2	O-Ring
Lid, circular	4	3009Z21010	1	1	1	1	1	1	1	1	Deckel, rund
Lid, complete with connector	4	3009M10040	1	1	1	-	-	-	1	-	Deckel kpl. mit Stecker
Lid, complete with connector	4	3009M10030	-	-	-	1	1	1	-	1	Deckel kpl. mit Stecker
Rubber ring	5	6000N00250	1	1	1	1	1	1	1	1	O-Ring
BNC connector, female	6	0017E02410	2	2	2	-	-	-	2	-	BNC-Buchse, weiblich
N connector, female	6	0017E02400	-	-	-	2	2	2	-	2	N Buchse, weiblich
Plate	7	3009Z22010	1	1	1	1	1	1	1	1	Platte
Screw M3x8	8	0965D30030	4	4	4	4	4	4	4	4	Schraube M3x8
Holder	9	3009Z23010	2	2	2	2	2	2	2	2	Stütze
Screw M2x6	10	7985D20050	4	4	4	4	4	4	4	4	Schraube M2x6
Lid	11	3009Z25010	1	1	1	1	1	1	1	1	Deckel
Lid, complete with connector	11	3009M10060	1	1	1	-	-	-	1	-	Deckel kpl. mit Stecker
Lid, complete with connector	11	3009M10050	-	-	-	1	1	1	-	1	Deckel kpl. mit Stecker
DC Jack-socket	12	0110E02710	1	1	1	1	1	1	1	1	DC Klinkenbuchse
Insulating disc	14	3000Z39010	1	1	1	1	1	1	1	1	Isolierscheibe
Insulation	15	3000Z38010	1	1	1	1	1	1	1	1	Isolierung
Device sticker	18	9110U32400	1	1	1	-	-	-	1	-	Typenschild
	18	9110U32430	-	-	-	1	1	1	-	1	
Power adapter EU	--	0027E00470	1	-	-	1	-	-	-	-	Netzadapter EU
Power adapter EU sales item		7801H00010	1	-	-	1	-	-	-	-	Netzadapter EU Vertriebsprodukt
Power adapter US	--	0027E00480	-	-	1	-	-	1	-	-	Netzadapter US
Power adapter UK	--	0027E00490	-	1	-	-	1	-	-	-	Netzadapter UK

PSU4000 2997Z00..

**IMPORTANT REMARK**

Do not remove the internal ground connector.
Always tightly fasten the ground screws of the internal switching power supply.

The internal switching power supply and all components connected to mains voltage are safety relevant. These parts shall only be replaced by original AKG spare parts.

Do not modify the original construction.

WICHTIGER HINWEIS

Entfernen Sie nicht die interne Schutzverbindung.
Befestigungsschrauben der Schutzverbindung müssen fest angezogen werden.

Das Schaltnetzteil und alle Bauteile im netzspannungsführenden Teil des Gerätes sind sicherheitsrelevant. Teile dürfen nur gegen AKG Original-Ersatzteile ausgetauscht werden.

Jede Modifikation des Gerätes ist zu unterlassen.

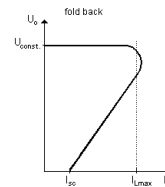
PSU4000 Parts list

PSU4000 Stückliste

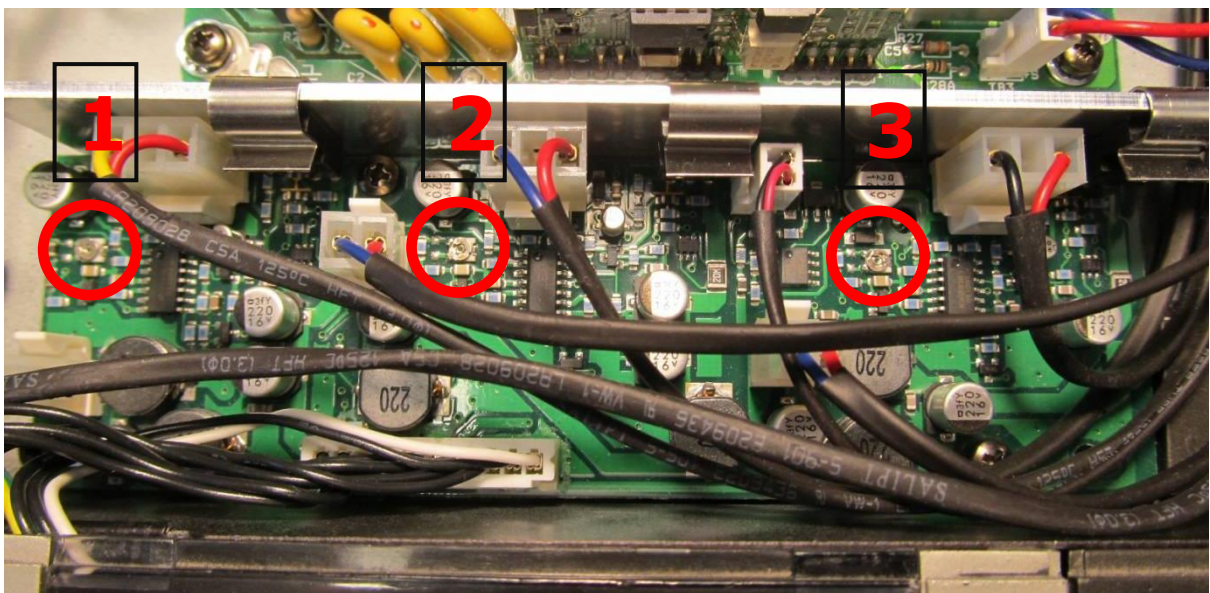
Description	Pos.	Part number Bestellnummer	Quantity Stück	Bezeichnung
Front panel	1	3000Z22130	1	Frontplatte
Display cover	2	3000Z23030	1	Displayabdeckung
Display glass	3	3000Z24010	1	Displayglas
Protective foil for 3	-	3000Z56010	1	Schutzfolie
LED board, complete	4	2997M02010	1	Frontprint, komplett
Screw PTKC14x4 for 4, 2?	5	0099N14020	6	Schraube PTKC14x4 für 4,2?
Mains switch-board compl.	6	2997M01010	1	Netzschalterprint komplett
Button for on/off-switch	7	3000Z48010	1	Knopf für on/off-Schalter
Cover-ring	8	3000Z47010	1	Abdeckring
Holder for cover ring	8a	3000Z50010	1	Halter für Abdeckring
Support	8b	3000Z51010	1	Verstärkung
Locking screw	8c	7500D25000	2	Sicherungsschraube
Connector with cable	9a	0110E02580	1	Buchse mit Kabel
Connector with cable	9b	0110E02590	1	Buchse mit Kabel
Connector with cable	9c	0110E02600	1	Buchse mit Kabel
Toothed washer (for grounding)	10a	6797D43010	2	Zahnscheibe (Erdung)
Screw M4x8 (for grounding)	10b	7985D40020	1	Schraube (Erdung)
Color indicator, black	11	3000Z36010	1	Farb-Indikator, schwarz
Housing	12	3000Z17010	1	Gehäuse
Housing cover	13	3000Z15020	1	Haube
Filler piece	14	3000Z18010	6	Einsatz
Rivet for 14	--	7337D30020	2	Blindniete für 14
Foot	15	3000Z20010	4	Fuß
Bushing	16	3000Z21010	4	Hülse
Main board*see next page	17	2997M03010	1	Hauptprint*nächste Seite
Washer	19a	0125D03260	2	Scheibe
Screw M3x8 for 15 and 17?	21	7985D30110	13	Schraube M3x8 für 15 und 17
Screw M3x12 for housing cover	22	7985D30120	4	Schraube M3x12 für Haube
Label 'AKG'	24	3000Z37010	1	Schild 'AKG'
Insulation for 9a,b,c	25	3000Z38010	3	Isolierung für 9a,b,c
Insulating disc for 9a,b,c	26	3000Z39010	3	Isolierscheibe für 9a,b,c
Heat sink	30	3000Z53010	1	Kühlblech
Transistor clamp	34	0013E02010	3	Transistorklemme
Power supply	35	0027E00500	1	Netzteil
Screw KB35x8 for 38	37	0099N35020	3	Schraube KB35x8 für 38
Toothed washer for 38	37	6797D32020	2	Zahnscheibe für 38
Fan	38	0027E00460	1	Lüfter
Mains filter	48	0018E03480	1	Netzfilter
Fuse 2A slow blow	--	0012E00140	2	Sicherung 2A träge
Internal cabeling	--	0110E02560	1	Interne Verkabelung
Mains cable EU	--	0110E02120	1*	Netzkabel EU
Mains cable US	--	0110E02110	1*	Netzkabel US
Mains cable UK	--	6001H36040	1*	Netzkabel UK
Supply cable DC	--	0110E02650	3	Versorgungskabel DC
Rack mount unit RMU1	--	3000Z28010	1	Rack-Einbausatz RMU1
Rack mount unit RMU2	--	3000Z26010	1	Rack-Einbausatz RMU2
Rack mount unit RMU4	--	3000Z29010	1	Rack-Einbausatz RMU4
Cover for RMU antenna holes	--	9999N05810	2	Abdeckung für RMU Ant. Öffnungen

*Always adjust the current limiter when the main board has been replaced.

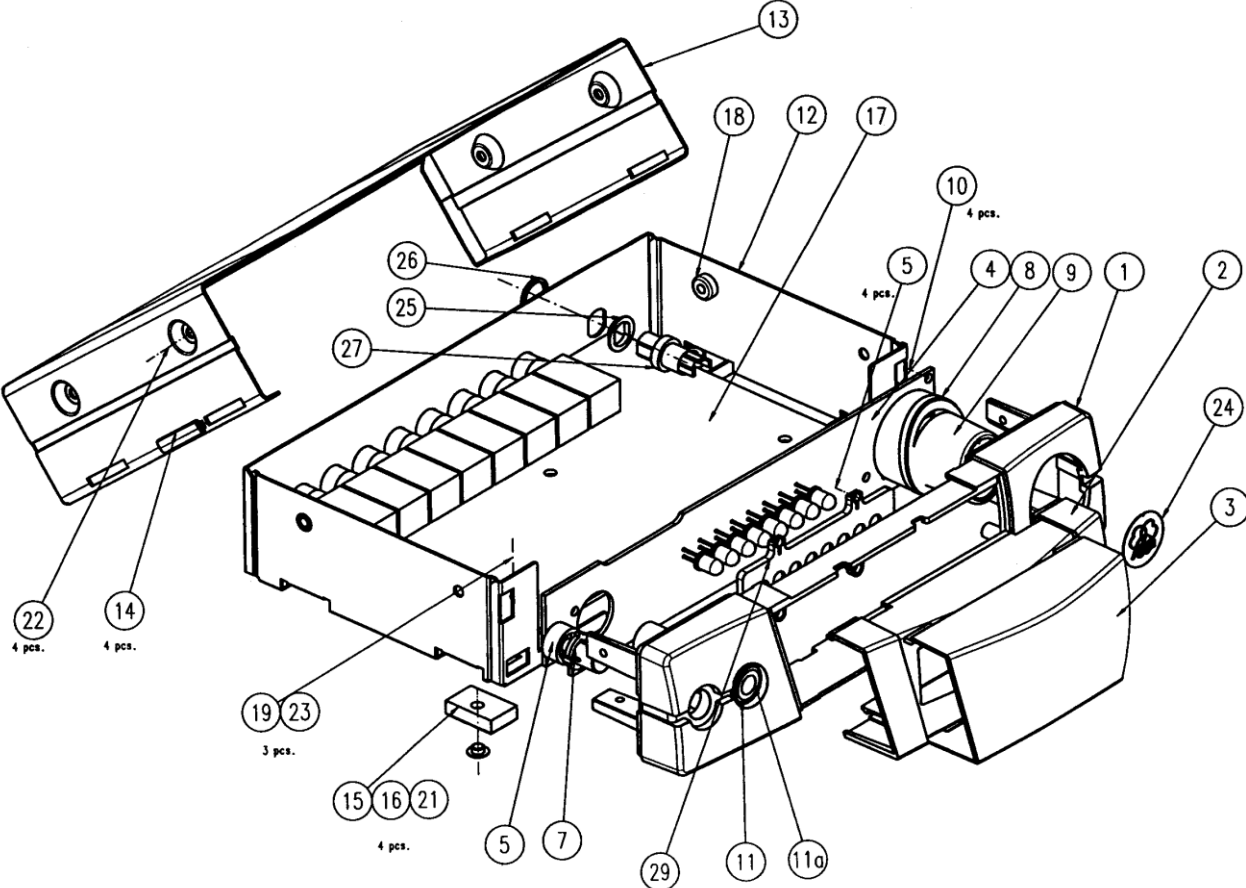
Adjustment of fold back characteristic:



- DC-output 1, 2,5A: measure the short-circuit current and adjust with poti "1" to 0,7A
- DC-output 2, 2A: measure the short-circuit current and adjust with poti "2" to 0,3A
- DC-output 3, 2A: measure the short-circuit current and adjust with poti "3" to 0,3A



HPA4000 2998Z00..



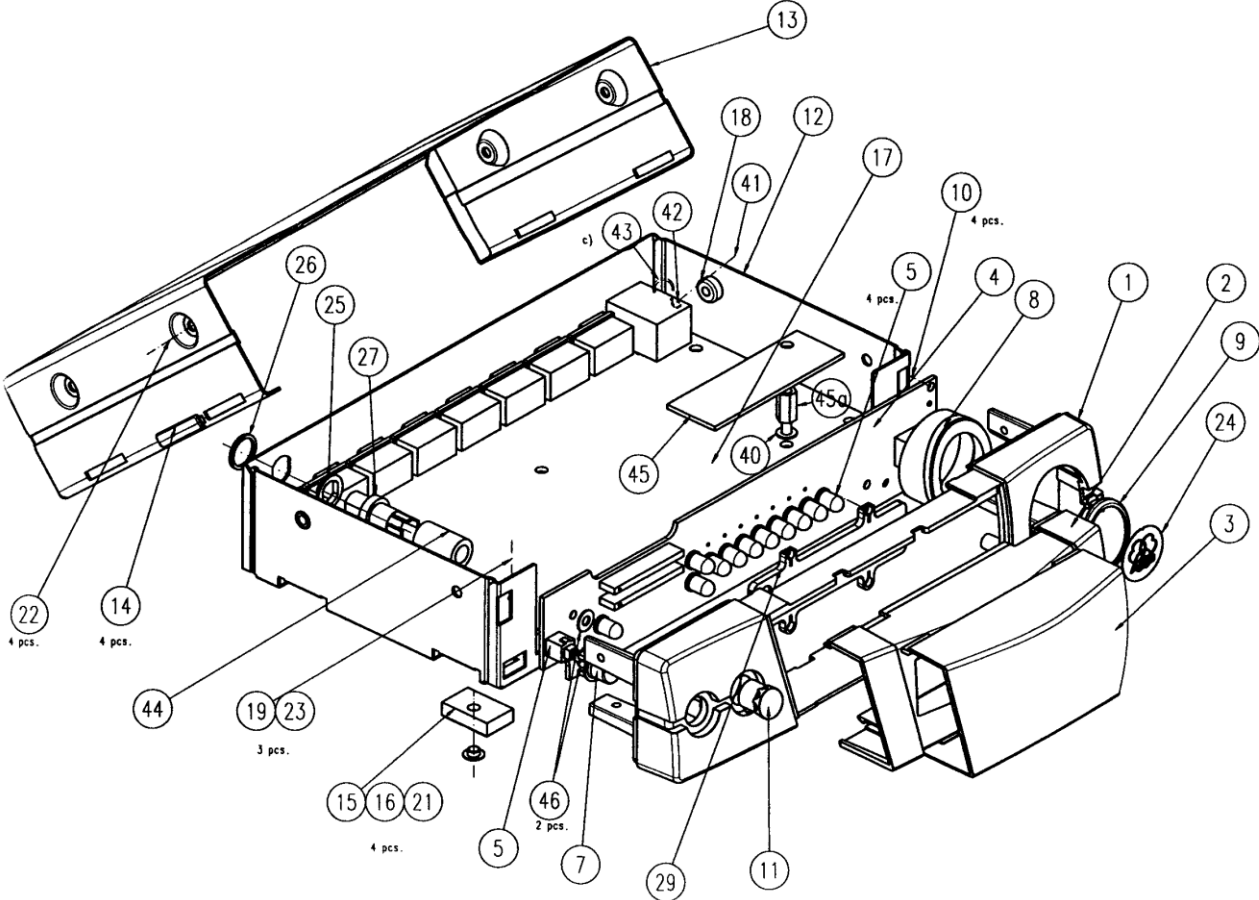
HPA4000 Parts list

HPA4000 Stückliste

<i>Description</i>	<i>Pos.</i>	<i>Part number Bestellnummer</i>	<i>Quantity Stück</i>	<i>Bezeichnung</i>
Front panel	1	3000Z22040	1	Frontplatte
Display cover	2	3000Z23040	1	Displayabdeckung
Display glass	3	3000Z24010	1	Displayglas
Front board, complete	4	3000M07010	1	Frontprint, komplett
Front board, complete	4	2998M01010	1	Frontprint, komplett
On/off switch s100	--	0040E01970	1	On/off Schalter s100
Dial Jog	--	0040E02000	1	Dreh-Drücksteller
Washer for on/off switch	5	3000Z31010	1	Scheibe für on/off-Schalter
Screw PTKC14x4	?	0099N14020	1	Schraube PTKC14x4
Button for on/off-switch	7	3000Z33010	1	Knopf für on/off-Schalter
Cover-ring	8	3000Z45010	1	Abdeckring
Button	9	3000Z35010	1	Knopf
Locking screw	10	7500D25000	4	Sicherungsschraube
Adapter 1/4"	11	3000Z55010	1	Adapter 6,3 mm
Stereo jack socket 1/4"	11a	0017E03600	1	Stereoklinkenbuchse 6,3 mm
Housing	12	3000Z13010	1	Gehäuse
Housing cover	13	3000Z16020	1	Haube
Filler piece	14	3000Z18010	4	Einsatz
Foot	15	3000Z20010	4	Fuß
Bushing	16	3000Z21010	4	Hülse
Main board, complete	17	3000M03010	1	Hauptprint, komplett
Main board, complete	17	2998M02010	1	Hauptprint, komplett
Stereo jack socket	--	0017E03570	8	Stereoklinkenbuchse
Screw M3x8 for 15 and 17	21, 23	7985D30110	6	Schraube M3x8 für 15 und 17
Screw M3x12 for housing cover	22	7985D30120	4	Schraube M3x12 für Haube
Label 'AKG' for Pos. 9	24	3000Z37010	1	Schild 'AKG' für Pos. 9
Insulation	25	3000Z38010	1	Isolierung
Insulating disc	26	3000Z39010	1	Isolierscheibe
DC-Jack socket	27	0110E02710	1	DC-Buchse
Power adapter 12V/500mA EU	--	0027E00470 old 7801H00010 new	x x	Netzteil 12V/500mA EU
Power adapter 12V/500mA US	--	0027E00480	x	Netzteil 12V/500mA US
Power adapter 12V/500mA UK	--	0027E00490	x	Netzteil 12V/500mA UK
Rack mount unit RMU1	--	3000Z25010	1	Rack-Einbausatz RMU1
Rack mount unit RMU2	--	3000Z26010	1	Rack-Einbausatz RMU2
Rack mount unit RMU4	--	3000Z27010	1	Rack-Einbausatz RMU4
Cover for RMU antenna holes	--	9999N05810	2	Abdeckung für RMU Ant. Öffnungen
Audio cable set	--	0110E02700	1	Audio Kabelsatz

HUB4000 2999Z00..

HUB4000Q 2999Z0014

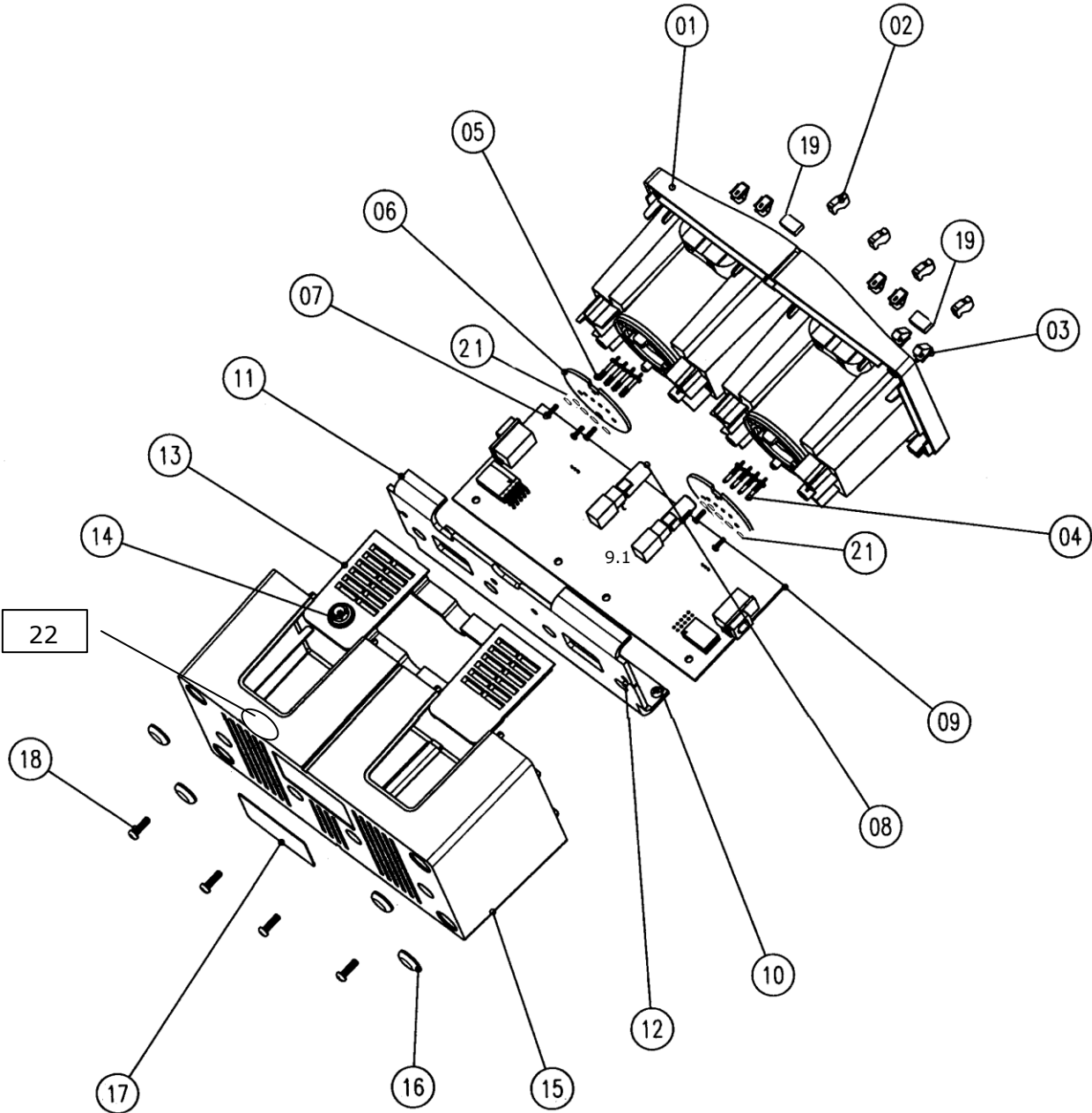


HUB4000/Q Parts list

HUB4000/Q Stückliste

Description	Pos.	Part number Bestellnummer	Quantity/ Stück		Bezeichnung
			HUB	HUBQ	
Front panel	±	3000Z22050	±	-	Frontplatte
Front panel	1	3000Z22170	-	1	Frontplatte
Display cover	2	3000Z23050	1	-	Displayabdeckung
Display cover	2	3000Z23070	-	1	Displayabdeckung
Display glass	3	3000Z24010	1	1	Displayglas
Front board, compl.	4	2999M01010	1	1	Frontprint, komplett
On/off switch s1	--	0040E02070	1	1	On/off Schalter s1
DIP switch sw1	--	0040E02090	1	1	DIP-Schalter sw1
LED blue	--	0014E01630	8	8	LED blau
LED green	--	0014E01650	3	3	LED grün
Screw PTKC14x4 for 29	5	0099N14020	4	4	Schraube PTKC14x4 für 29
Button for on/off-switch	7	3000Z41010	1	1	Knopf für on/off-Schalter
Cover-ring	8	3000Z45010	1	1	Abdeckring
Button	9	3000Z46010	1	1	Knopf
Locking screw for 4	10	7500D25000	4	4	Sicherungsschraube für 4
Color indicator, transparent	11	3000Z36020	1	1	Farb-Indikator, transparent
Housing	12	3000Z12010	1	-	Gehäuse
Housing	12	3000Z12020	-	1	Gehäuse
Housing cover	13	3000Z16020	1	1	Haube
Filler piece	14	3000Z18010	4	4	Einsatz
Foot	15	3000Z20010	4	4	Fuß
Bushing	16	3000Z21010	4	4	Hülse
Main board, complete	17	2999M02010	±	±	Hauptprint, komplett
Connector RJ11 4pole ST1...ST8	--	0017E04100	8	8	Buchse RJ11 4polig ST1...ST8
Connector RJ45 LAN ST9	--	0016E08080	1	1	Buchse RJ45 LAN ST9
Screw M3x8 for 15 and 17	21,23	7985D30110	7	7	Schraube M3x8 für 15 und 17
Screw M3x12 for housing cover	22	7985D30120	4	4	Schraube M3x12 für Haube
Label 'AKG' for Pos. 9	24	3000Z37010	1	1	Schild 'AKG' für Pos. 9
Insulation	25	3000Z38010	1	1	Isolierung
Insulating disc	26	3000Z39010	1	1	Isolierscheibe
DC-Jack socket	27	0110E02710	1	1	DC-Buchse
Cover	29	3000Z54010	1	-	Abdeckung
Cover	29	3000Z54020	-	1	Abdeckung
Toothed washer	40	6797D32010	±	-	Zahnscheibe
Nut	41	0934D30010	±	-	Mutter
Solder tag	42	4149N60330	1	1	Lötflügel
Screw	43	7045D30010	±	-	Schraube
Ferrite core	44	0023E00830	1	1	Ferritkern
Watchdog board, complete	45	2999M03010	±	-	Watchdog-Print, komplett
Spacer	45a	9999N01410	±	-	Abstandsbolzen
Washer	46	0125D03260	2	2	Scheibe
Power adapter 12V/500mA EU	--	0027E00470 7801H00010	x	x	Netzteil 12V/500mA EU
Power adapter 12V/500mA US	--	0027E00480	x	x	Netzteil 12V/500mA US
Power adapter 12V/500mA UK	--	0027E00490	x	x	Netzteil 12V/500mA UK
Rack mount unit RMU1	--	3000Z25010	1	1	Rack-Einbausatz RMU1
Rack mount unit RMU2	--	3000Z26010	1	1	Rack-Einbausatz RMU2
Rack mount unit RMU4	--	3000Z27010	1	1	Rack-Einbausatz RMU4
Cover for RMU antenna holes	--	9999N05810	2	2	Abdeckung für RMU Ant. Öffnungen
HUB cable set	--	0110E02660	1	1	HUB Kabelset

CU4000 2887 Z/H/X 00..



CU4000 Parts list

CU4000 Stückliste

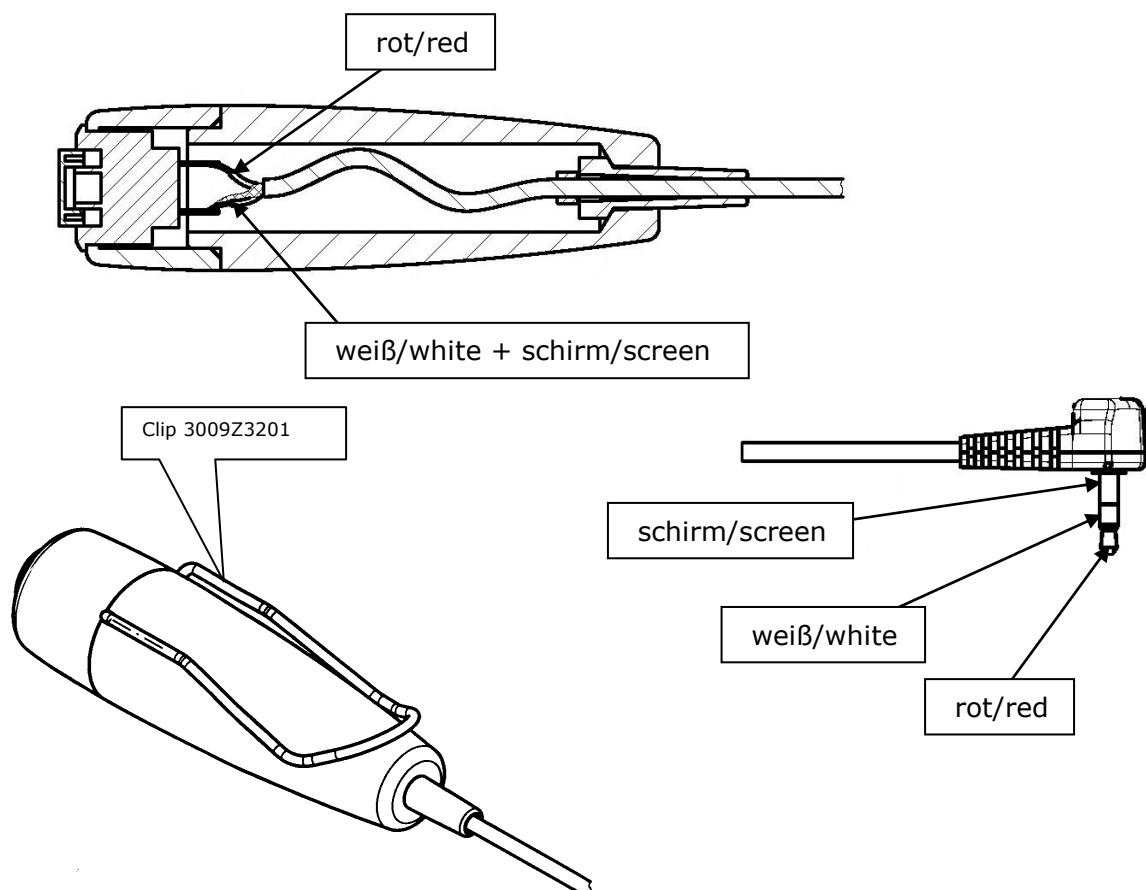
<i>Description</i>	<i>Pos.</i>	<i>Part number Bestellnummer</i>	<i>Quantity Stück</i>	<i>Bezeichnung</i>
Housing top	1	2887Z11110	1	Gehäusedeckel
Light guide	2	2887Z15010	4	Lichtleiter
Cable assembly w. DC-socket	3	2887M14010	1	Kabelsatz mit DC-Buchse
Cable assembly	3	2887M13010	1	Kabelsatz
Contact pin	4	2887Z16010	8	Kontaktstift
Spring	5	9999N06890	8	Feder
Contact holder	6	2887Z12010	2	Kontakthalter
Screw	7	0099N18020	6	Schraube
Switch button	8	2887Z19010	2	Schalterknopf
Pcb. compl.	9	2887L01030	1	Print, komplett, ROHS ok
Push button switch ('Recovery')	9.1	0040E02100	2	Druckschalter ('Recovery')
Screw M3x6	10	7985D30000	4	Schraube M3x6
Panel	11	2887Z17010	1	Panel
Screw	12	0099N30090	4	Schraube
Housing part	13	2887Z14110	1	Gehäuseteil
Cable assembly 2	14	2887M06010	1	Kabelsatz 2
Cable assembly 5	14	2887M14010	1	Kabelsatz 5
Housing bottom	15	2887Z13110	1	Gehäuseboden
Foot	16	9999N06930	4	Fuß
Device sticker	17	4757S00010	1	Typenschild
Screw	18	0099N30020	4	Schraube
Rubber element	19	2887Z18010	2	Gummitteil
Rubber element	19	2887Z21010	2	Gummitteil
Washer	21	2366Z03010	8	Scheibe
Sticker 12V DC	22	4785S00010	1	Aufkleber 12V DC
Bicolor LED	--	9014E00710	4	LED zweifarbig
Battery pack BP4000	--	3004Z00030	2	Akkupack BP4000

RMU4000 Parts / Teile

		SR4000	HUB4000	HPA4000	PSU4000	PS4000	Description
RMU1	3000Z28010	1	-	-	1	-	long front as necessary for one item in a 19" rack, long side, for heavy item / lange Frontseite, langer Seitenschenkel, wird für ein schweres Gerät in 19" Rack benötigt
RMU1	3000Z25010	-	1	1	-	1	long front as necessary for one item in a 19" rack, short side, for light item / lange Frontseite, kurzer Seitenschenkel, wird für ein leichtes Gerät in 19" Rack benötigt
RMU2	3000Z26010	1	1	1	1	1	coupling piece for two items, to be inserted instead of housing feet / Koppelstück für zwei Geräte. Wird statt der Gehäusefüsse montiert
RMU4	3000Z29010	1	-	-	1	-	short front, long side, for heavy item / kurze Frontseite, langer Seitenschenkel, für schweres Gerät
RMU4	3000Z27010	-	1	1	-	1	short front, short side, for light item / kurze Frontseite, kurzer Seitenschenkel, für leichtes Gerät
Cover Abdeckung	9999N05810	2	2	2	2	2	for antenna socket holes of RMU1 and RMU4 für Antennenöffnungen in RMU1 und RMU4

RMS4000 REMOTE MUTE SWITCH / MUTE-FERNSCHALTER

3009Z00120



D 880 WL-1 MkII 2982Z0011
 D 3700 WL-1 MkII 2982Z0001
 D 3800 WL-1 MkII 2982Z0002

C 5900 WL-1 MkII 2982Z0003
 C 900 WL-1 2982Z0012



Description	Item	Part nbr. Bestell-Nr.	D880 WL-1II	D3700 WL-1II	D3800 WL-1II	C5900 WL-1II	C900 WL-1II	Bezeichnung
Capsule	1	2610Z00270	-	1	-	-	-	Kapsel
Capsule	1	2610Z00280	-	-	1	-	-	Kapsel
Capsule	1	2610Z00300	1	-	-	-	-	Kapsel
Capsule CE33/14	1	2230Z00140	-	-	-	1	-	Kapsel CE33/14
Capsule	1	2230Z00130	-	-	-	-	1	Kapsel
Ring, gilded	2	2896Z03010	-	-	-	-	1	Ring, vergoldet
Capsule suspension	3	2705Z28010	-	-	-	1	-	Kapsellagerung
Capsule suspension	3	2610Z14020	-	-	-	-	1	Kapsellagerung
Grid cap	4	2982M13010	-	1	1	-	-	Kappe
Grid cap	4	2982M13020	-	-	-	1	-	Kappe
Grid cap	4	2896M11010	1	-	-	-	1	Kappe
Foam insert	4.1	70302350	-	1	1	-	-	Schaumeinlage
Foam insert	4.1	70302610	-	-	-	1	-	Schaumeinlage
Foam insert	4.1	70302090	1	-	-	-	1	Schaumeinlage
Foam insert, lower	5	2705Z31010	-	-	-	1	-	Schaumeinlage, unten
Foam disk	6	2982Z18010	-	-	-	1	-	Schaumscheibe

Apart from the mentioned items, no spare parts are available for these products
 Außer den hier angeführten Teilen sind keine weiteren Ersatzteile für diese Produkte verfügbar

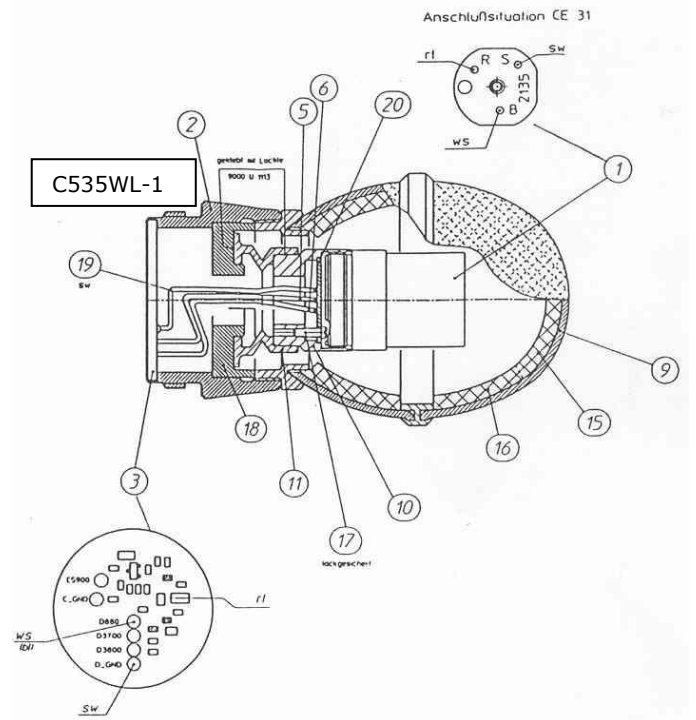
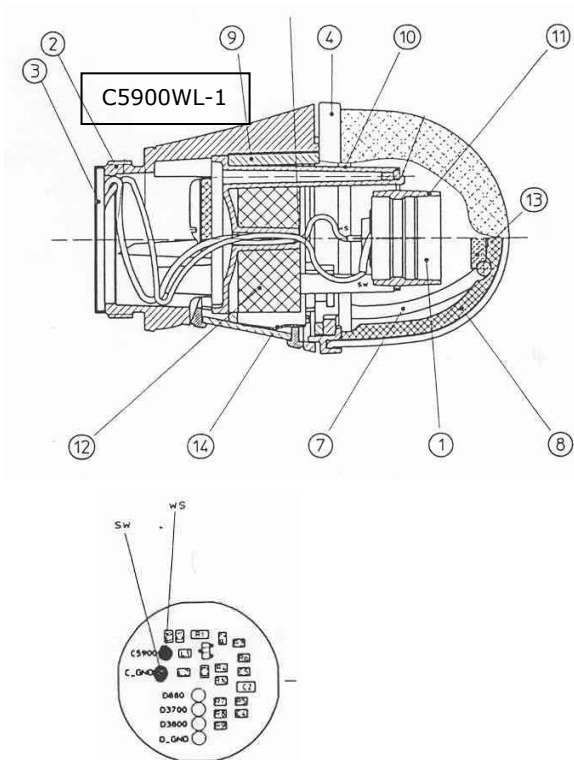
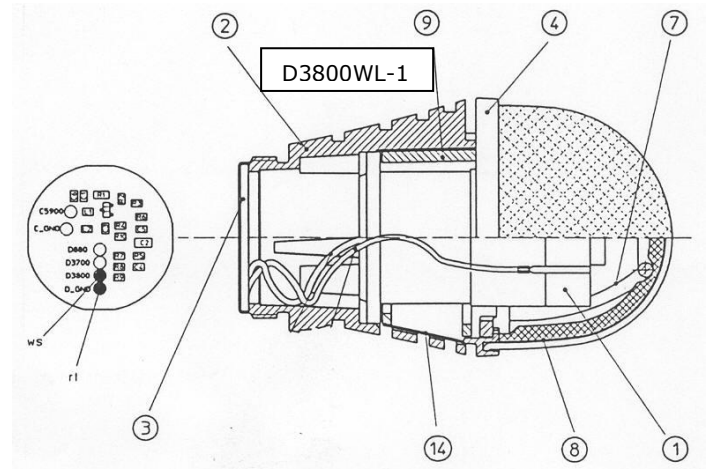
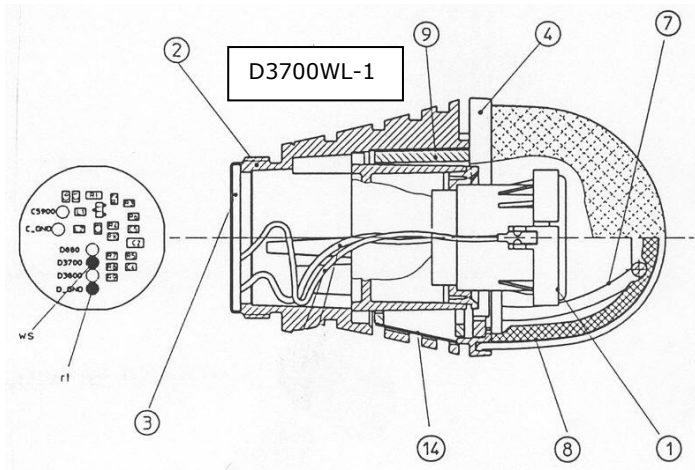
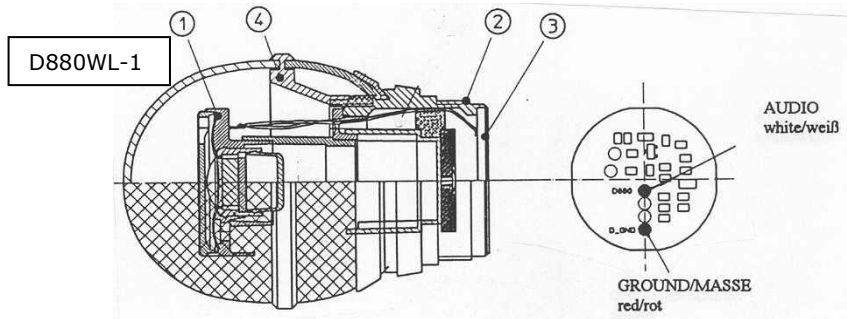
Former Versions / Frühere Versionen

D 880 WL-1
D 3700 WL-1
D 3800 WL-1

2782Z0011
2782Z0012
2782Z0013

C 5900 WL-1
C 535 WL-1

2782Z0014
2782Z0015



Parts list / Stückliste

Description	Item	Part nbr. Bestell-Nr.	D880 WL-1	D3700 WL-1	D3800 WL-1	C5900 WL-1	C535 WL-1	Bezeichnung
Capsule	1	2610Z00140	1	-	-	-	-	Kapsel
Capsule DKC24	1	2127Z00320	-	1	-	-	-	Kapsel DKC24
Capsule DKC24	1	2224Z00040	-	-	1	-	-	Kapsel DKC24
Capsule CE33/8	1	2230Z00080	-	-	-	1	-	Kapsel CE33/8
Capsule CE31	1	2003Z00100	-	-	-	-	1	Kapsel CE31
Top grill	4	9999N05840	1	-	-	-	-	Gitterkappe
Top grill	4	2505M01010	-	1	1	1	-	Gitterkappe
Top grill	4	2588M02020	-	-	-	-	1	Gitterkappe
Support basket	7	2505Z05010	-	1	1	1	-	Stützkorb
Foam insert	8	2505Z18010	-	1	1	-	-	Popschutz
Foam insert	8	2505Z18020	-	-	-	1	-	Popschutz
Basket	9	2505Z03010	-	1	1	1	-	Korb
Capsule suspension*	11	2516Z04010	-	-	-	1	-	Kapsellagerung*
Foam insert	12	2516Z06010	-	-	-	1	-	Schaumeinlage
Stopper	13	2516Z15010	-	-	-	1	-	Stoppel
Protective cover	14	2505Z16010	-	1	1	1	-	Sichtschutz
Foam insert	15	2135Z08010	-	-	-	-	1	Schaumeinlage
Foam insert	16	2135Z09010	-	-	-	-	1	Schaumeinlage
Capsule board New number ->	20	2135M01050 3135M28020	-	-	-	-	1	Kapselprint

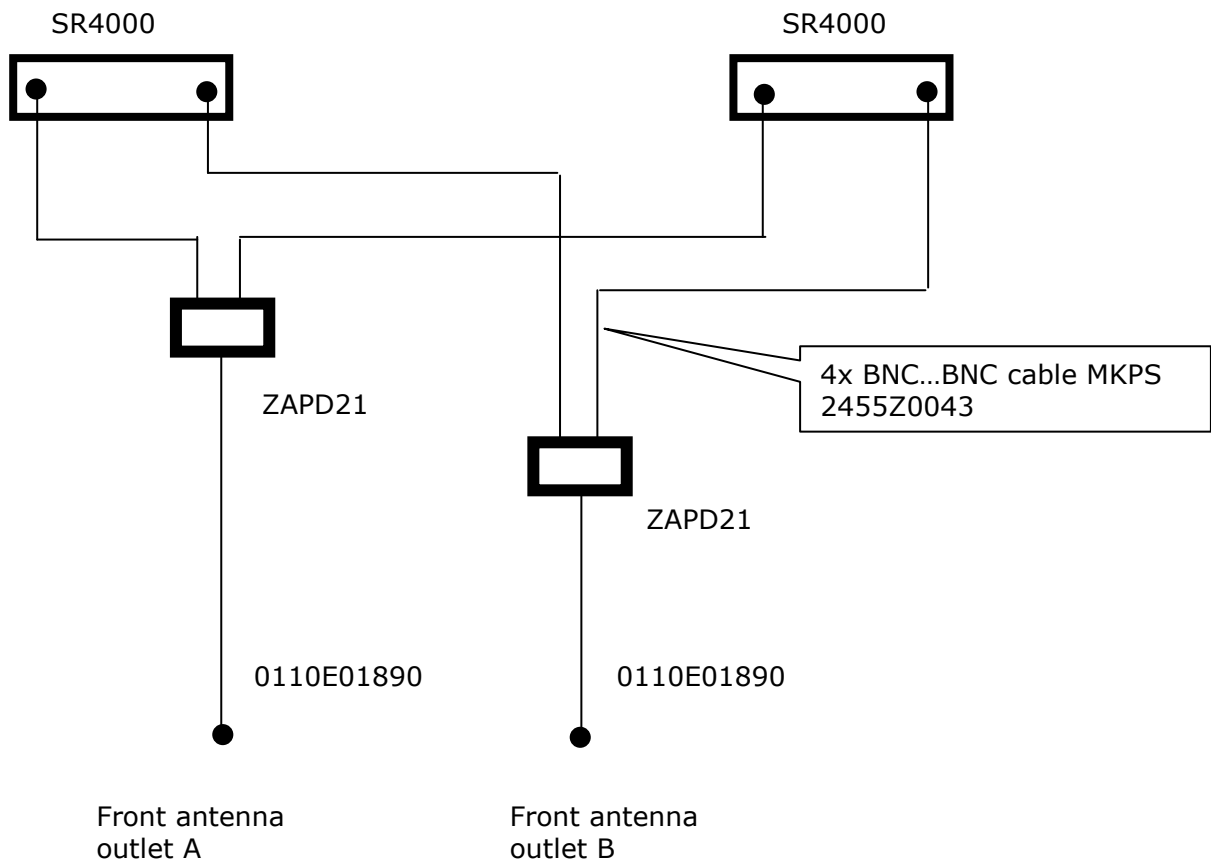
*Teil wird abverkauft und ersetzt durch 2705Z28010

*Part will be sold out and replaced with 2705Z28010

**Apart from the mentioned items, no spare parts are available for these products
Außer den hier angeführten Teilen sind keine weiteren Ersatzteile für diese Produkte verfügbar**

Connection diagram for two receivers SR 4000 and front antenna sockets

Blockschaltbild für zwei SR4000 mit Frontantennen



Splitters ZAPD21 and antenna front cables 0110E01890 are available from AKG Service
 ZAPD21 und 0110E01890 sind über AKG Service erhältlich