



H A Harman International Company

C 430

MicroMic Series III Instrument Condenser Microphone

Description

The C 430 is the latest addition to the MicroMic Series III. Its small size, high SPL handling and frequency shaping make it ideal for on-stage or in-studio instrument and percussion micing applications. Its uniform cardioid polar pattern means that the mic "hears" more evenly from the sides. This is the best choice for instruments that radiate sound from many directions like acoustic guitar, piano, saxophone and percussion instruments. This is also a good trait for better gain before feedback when used on stage.

Specifications

Transducer type:	Prepolarized condenser
Frequency response:	20 Hz to 20 kHz
Sensitivity at 1 kHz:	7 mV/Pa (-43 dBV)
Polar pattern:	Cardioid
Impedance:	200 ohms
Recommended loading:	>2000 ohms
Sound pressure level for 1%/3% THD:	126/130 dB SPL
Power requirement:	Phantom powering, 9 to 52 Vdc
Output connector:	3-pin XLR-M
Finish:	Matte black
Size:	0.75 inches diameter (19 mm); 3.1 inches length (79 mm)
Net weight:	1.1 ounces (31 g)
Included accessories:	SA40 Stand adapter
Optional accessories:	B 15 in-line phantom power supply



Features

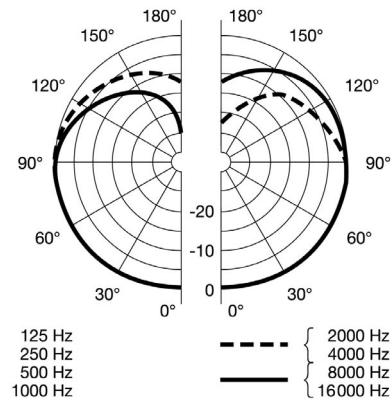
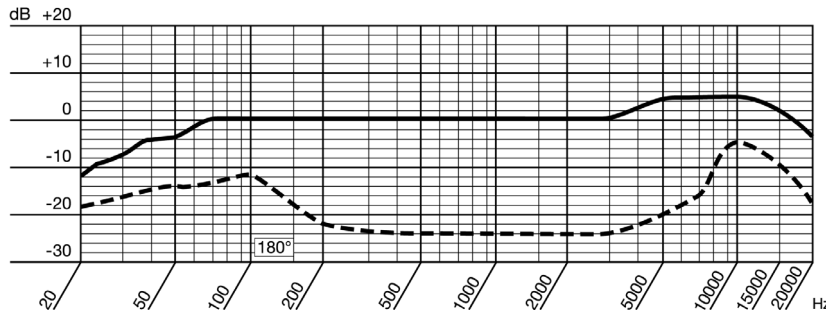
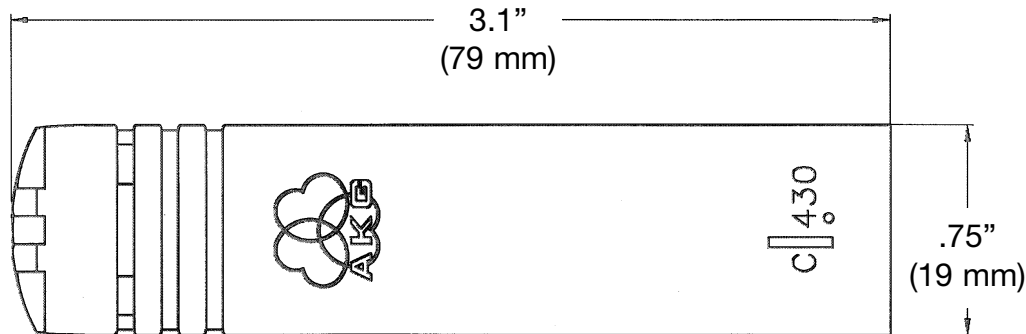
- **Small diameter, light-weight, short body condenser cardioid microphone**
- **Response optimized for close-in instrument and percussion applications**
- **Transformerless output for ultra low LF distortion**
- **Universal phantom powering**
- **Suited well for percussion overhead micing applications**
- **Battery powering possible with optional B 15 power supply**

Architects and Engineers Specifications

The microphone shall have a cardioid pattern. The microphone's sensitivity shall be no less than 7 mV/Pa. At an operating level of 126 dB SPL the microphone's total harmonic distortion shall be no greater than 1%, and at an operating level of 130 dB SPL the microphones total harmonic distortion shall be no greater than 3%. The microphone shall operate with phantom power over the range

from 9 Vdc to 52 Vdc. The diameter of the microphone shall be no greater than 0.75 inches (19 mm) and the body length shall be no longer than 3.1 inches (79 mm). The net weight of the microphone shall be no greater than 1.1 ounces (31 g). The microphone shall be the AKG Acoustics Model C 430.

Graphical Data



Limited Warranty

Valid only in the United States. AKG Acoustics warrants AKG products against defects in material or workmanship for a period of two years from the date of original purchase for use, and agrees to repair or, at our option, replace any defective unit without charge for either parts or labor. Important: This warranty does not cover damage resulting from accident, misuse or abuse, lack of reasonable care, the affixing of any attachment not provided with the product, loss of parts or connecting the product to any but the specified receptacles. This warranty is void unless service or repairs are performed by an authorized service center. No responsibility is assumed for any special, incidental

or consequential damages. However, the limitation of any right or remedy shall not be effective where such is prohibited or restricted by law. Simply take or ship your AKG product prepaid to our service department. Be sure to include your sales slip as proof of purchase date. (We will not repair transit damage under the no-charge terms of this warranty.) Note: No other warranty, written or oral is authorized by AKG Acoustics, Inc. This warranty gives you specific legal rights, and you may also have other rights which vary from state to state. Some states do not allow the exclusion or limitation of incidental or consequential damages or limitation on how long an implied warranty lasts, so the above exclusions and limitation may not apply to you.

Microphones · Headphones · Wireless Microphones · Wireless Headphones · Headsets · Electroacoustical Components



H A Harman International Company

AKG Acoustics GmbH
Lemböckgasse 21-25, P.O.B. 158, A-1230
Vienna/AUSTRIA
Tel: (43 1) 86 654-0*, Fax: (43 1) 86 654-516
Internet: <http://www.akg.com>

AKG Acoustics; A Division of Harman Pro Germany
Bodenseestraße 228, D-81243 München/GERMANY
Tel: (089) 87 16-0, Fax: (089) 87 16-200

Arbiter Pro Audio
Wilberforce Road, London NW9 6AX/ENGLAND
Tel: (0181) 202 1199, Fax: (0181) 202 7076

AKG ACOUSTICS, U.S.
914 Airpark Center Drive
Nashville, TN 37217, U.S.A.
Tel: (615) 620-3800, Fax: (615) 620-3875

Studer Japan Ltd.
2-43-7, Uehara, Shibuya-ku, Tokyo 151-0064/JAPAN
Tel: (813) 3465-2211, Fax: (813) 3465-2214

Erikson Pro Audio
620 McCaffrey, St-Laurent, Quebec, H4T 1N1, CANADA
Tel: (514) 738-3000, Fax: (514) 737-5069
Internet: www.jam-ind.com/eriksonpro

AKG is constantly improving and modifying its products, therefore, specifications are subject to change without notice.