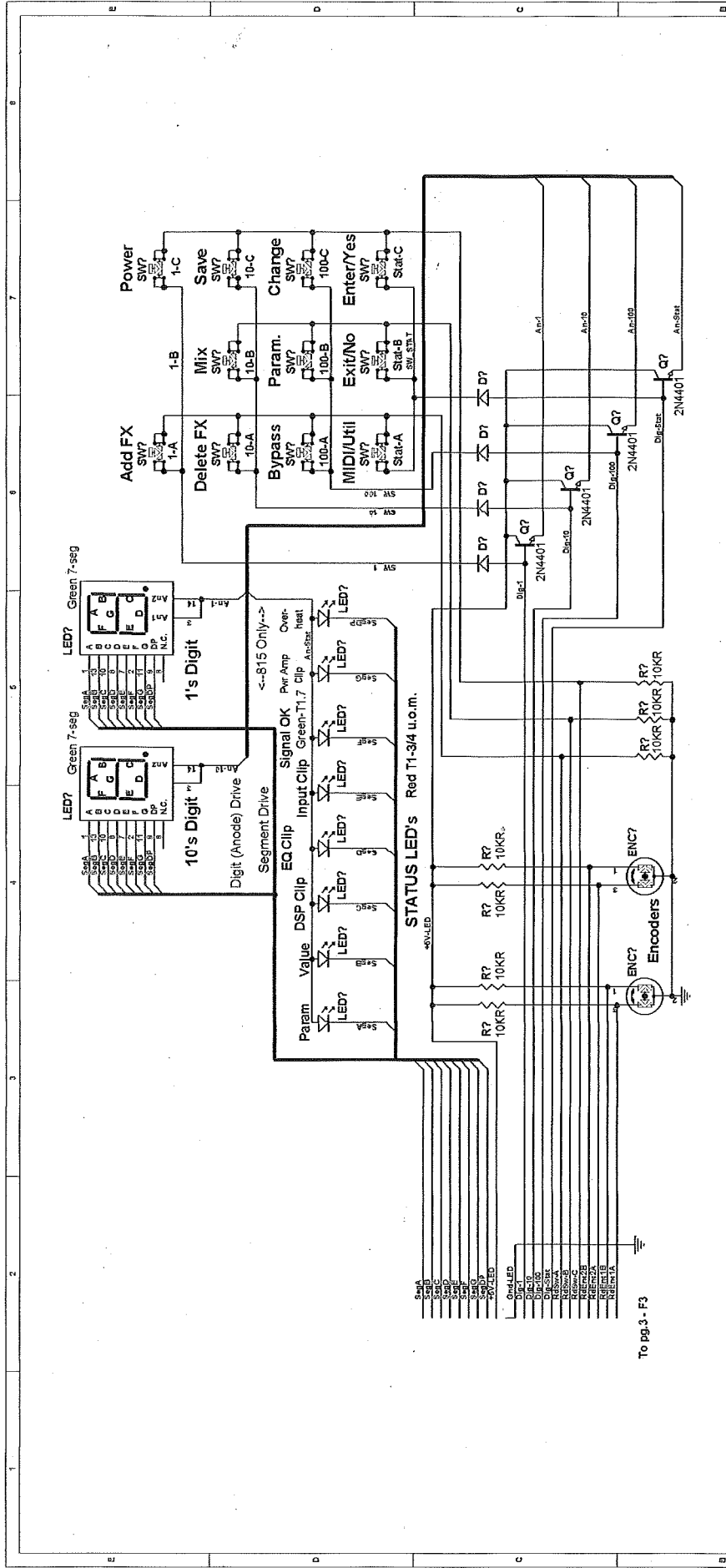


Applied Research & Technology, Inc.
 215 Tremont Street
 Rochester, NY 14608
 Phone: (716) 436-2720 Fax: (716) 436-3942
 Entered: 03/24/02 UDF file used found.
 Sheet 3 of 4
 Drawn By: [Signature]
 Date: 10/14/05
 Rev: A
 B [C:\Temp\12\MASTR.DDB - Document\12\2-PreAmp
 12/10/05
Power Supply, Jacks, FX Loop, Codec & Filters
412 Guitar Preamp

NOTES:
 1. Unless otherwise marked, Capacitors in uF. Codes are 1N4148 / 1N914
 Resistors 1/4W 5% C.F.
 2. Local ports (this sheet) are shaded. Most others connect to CPU (sheet #3)

Sheet 3 of 4
 Unshaded



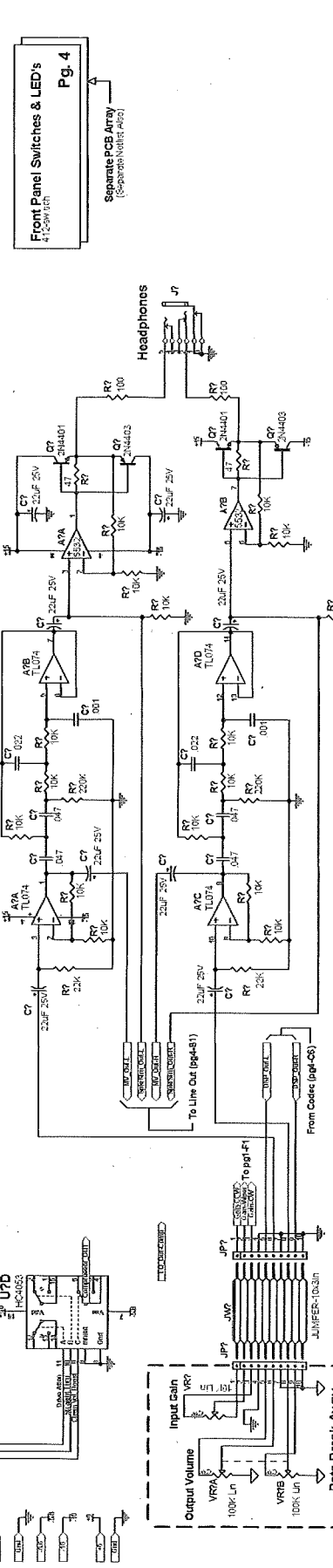
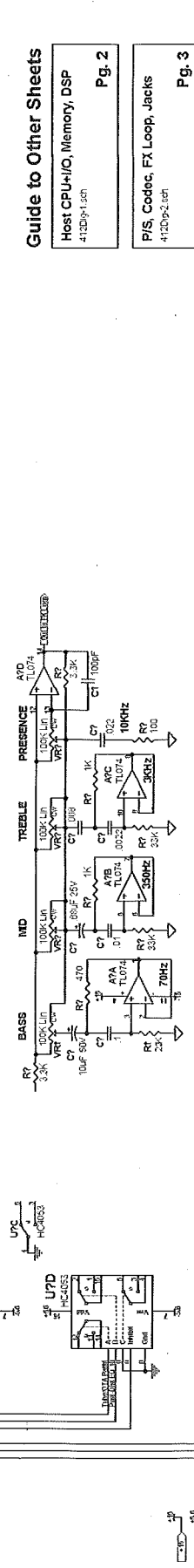
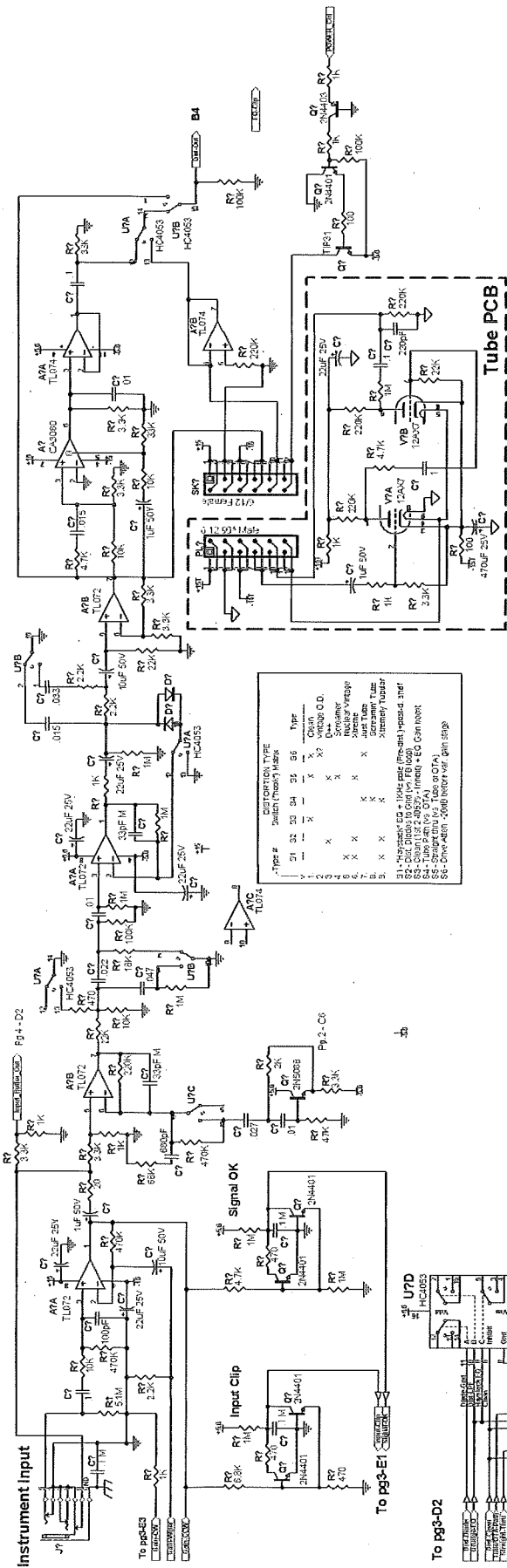
COMPONENT LIST

Ref	Quantity	Part Number	Description
SW16	1	SW16	16-pin DIP Switch
SW7	12	SW7	7-pin DIP Switch
SW100-A	1	SW100-A	100-pin DIP Switch
SW100-B	1	SW100-B	100-pin DIP Switch
SW100-C	1	SW100-C	100-pin DIP Switch
SW100-D	1	SW100-D	100-pin DIP Switch
SW100-E	1	SW100-E	100-pin DIP Switch
SW100-F	1	SW100-F	100-pin DIP Switch
SW100-G	1	SW100-G	100-pin DIP Switch
SW100-H	1	SW100-H	100-pin DIP Switch
SW100-I	1	SW100-I	100-pin DIP Switch
SW100-J	1	SW100-J	100-pin DIP Switch
SW100-K	1	SW100-K	100-pin DIP Switch
SW100-L	1	SW100-L	100-pin DIP Switch
SW100-M	1	SW100-M	100-pin DIP Switch
SW100-N	1	SW100-N	100-pin DIP Switch
SW100-O	1	SW100-O	100-pin DIP Switch
SW100-P	1	SW100-P	100-pin DIP Switch
SW100-Q	1	SW100-Q	100-pin DIP Switch
SW100-R	1	SW100-R	100-pin DIP Switch
SW100-S	1	SW100-S	100-pin DIP Switch
SW100-T	1	SW100-T	100-pin DIP Switch
SW100-U	1	SW100-U	100-pin DIP Switch
SW100-V	1	SW100-V	100-pin DIP Switch
SW100-W	1	SW100-W	100-pin DIP Switch
SW100-X	1	SW100-X	100-pin DIP Switch
SW100-Y	1	SW100-Y	100-pin DIP Switch
SW100-Z	1	SW100-Z	100-pin DIP Switch
LED7	14	LED7	7-segment Display
ENC7	2	ENC7	Rotary Encoder
Q7	1	2N4401	Transistor
R2	6	10KR	Resistor
R7	6	10KR	Resistor

To pg. 3 - F3

NOTES

- Unless otherwise marked:
Resistors 1/4W 5% C.F. Diodes are 1N4148 / 1N914
Capacitors in uF
- All ports/busses are local to this sheet.



Applied Research & Technology, Inc.
 210 Trenton Street
 Newark, NJ 07102-3432
 Phone: (781) 442-2725 Fax: (781) 442-3432
 E-MAIL: ARTECH@ARTECH.COM

Rev: 1B (1/01) New
 Date: 3-Nov-2004
 Part: 412-9001-10X

Input, Distortion, Gain, Tube & EQ
 412 Guitar Preamp

Guide to Other Sheets
 Host CPU+I/O, Memory, DSP
 412Dp-1.sch Pg. 2

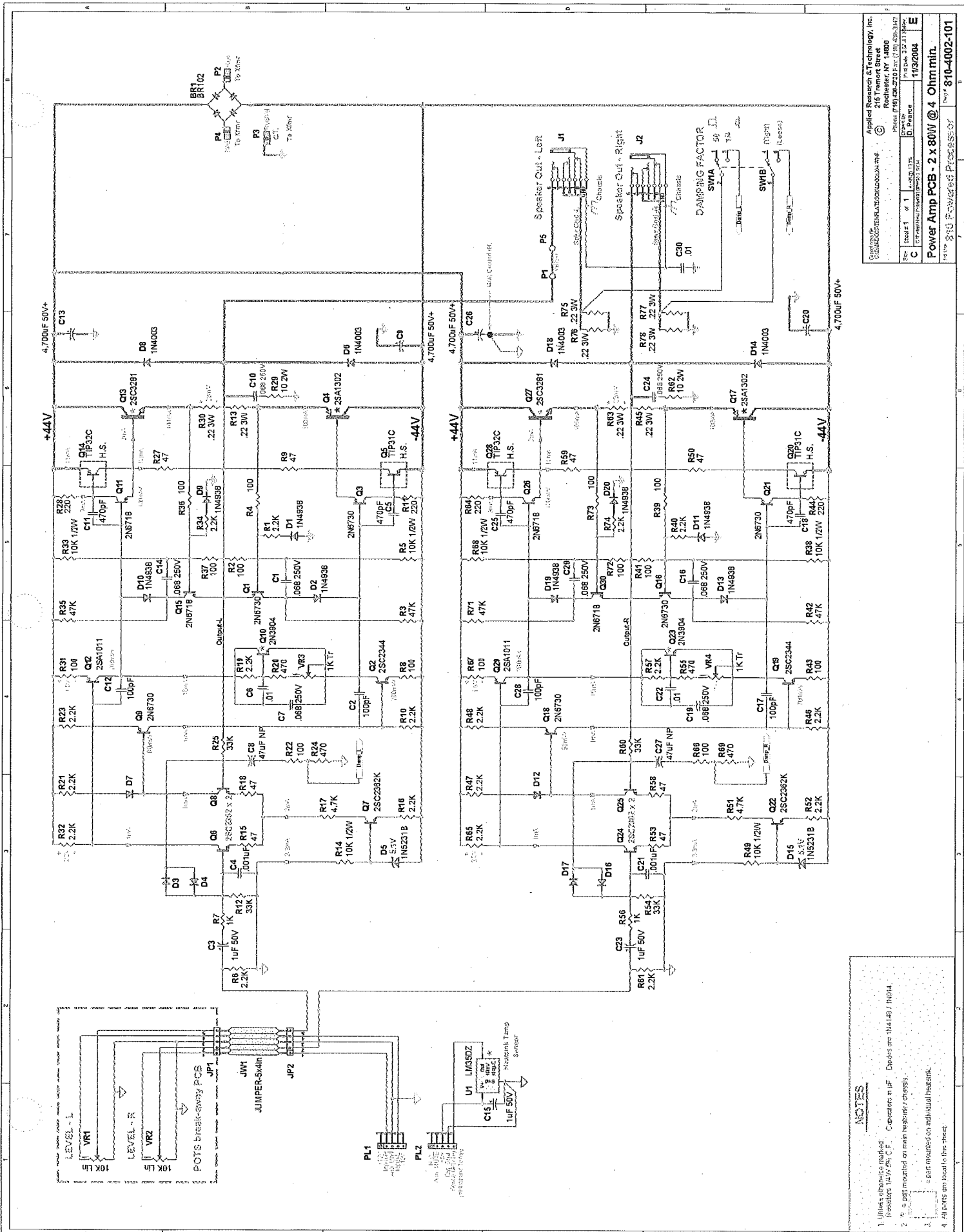
P/S, Codec, FX Loop, Jacks
 412Dp-2.sch Pg. 3

Front Panel Switches & LED's
 412Dp-1.sch Pg. 4

Separate PCB Array
 (Separate Notlet AW2)

NOTES

1. Unless otherwise marked, capacitors in uF (Micro Farads). Diodes are 1N4148 or 1N4149.
2. Shaded parts are local to this sheet. Most logic connections to CPU (pgs 1-4).



Applied Research & Technology, Inc.
 215 Tremont Street
 Rochester, NY 14609
 Phone (716) 584-2700 Fax (716) 584-3047

Rev	Sheet 1 of 1	Length	11/27/00	E
C	ET member (member board) not	D	Printer	

Power Amp PCB - 2 x 80W @ 4 Ohm min.
 Rev 2.0 POWER PROCESSOR

NOTES

1. Unless otherwise marked, resistors 1/4W, 5% C.F.
2. All pots mounted on mini heatshrink chassis.
3. All resistors on individual heatshrink.
4. All points are listed in the sheet.