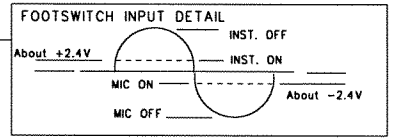
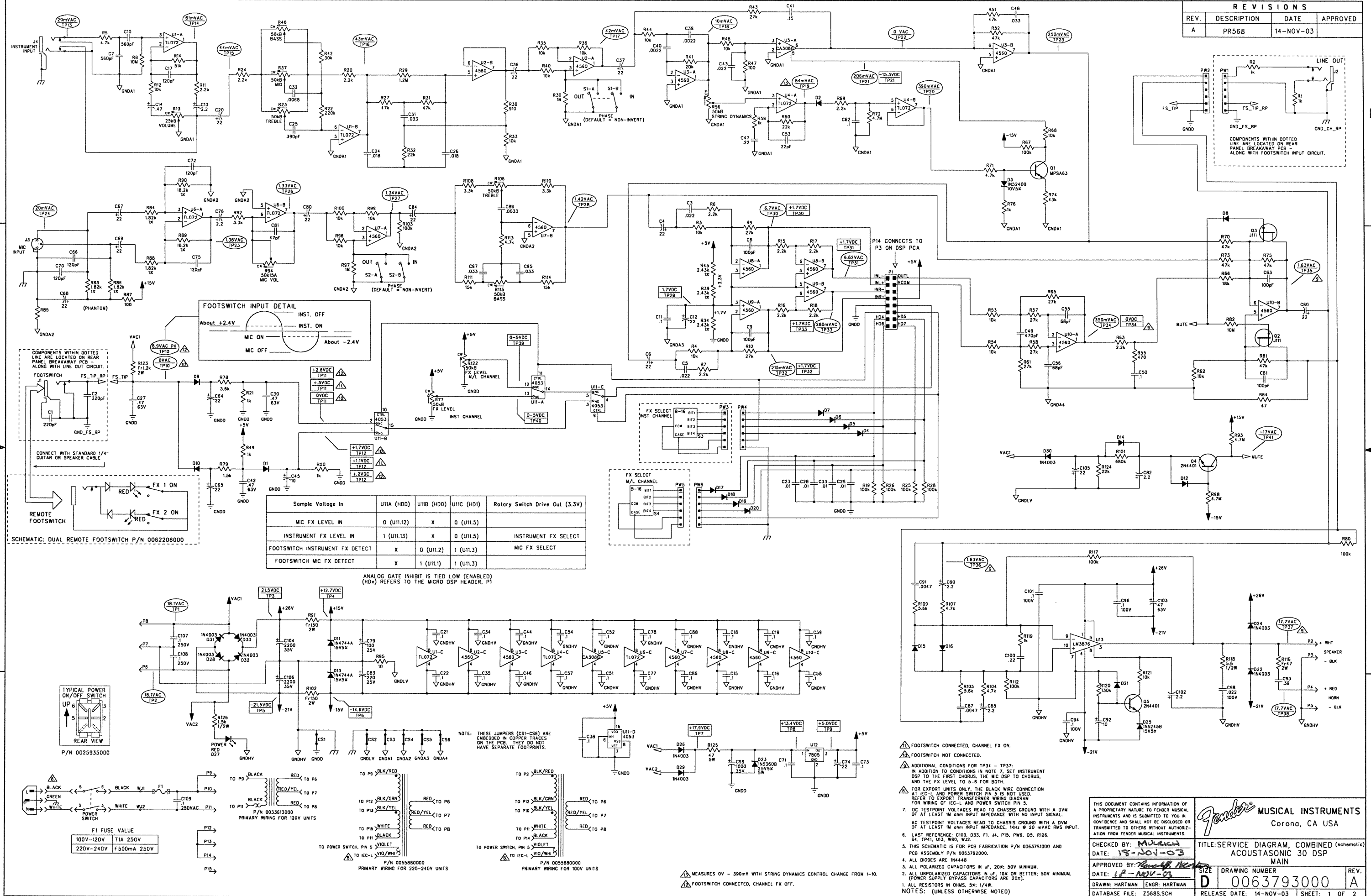


REVISIONS			
REV.	DESCRIPTION	DATE	APPROVED
A	PR56B	14-NOV-03	



Sample Voltage In	U11A (HD0)	U11B (HD0)	U11C (HD1)	Rotary Switch Drive Out (3.3V)
MIC FX LEVEL IN	0 (U11.12)	X	0 (U11.5)	
INSTRUMENT FX LEVEL IN	1 (U11.13)	X	0 (U11.5)	INSTRUMENT FX SELECT
FOOTSWITCH INSTRUMENT FX DETECT	X	0 (U11.2)	1 (U11.3)	MIC FX SELECT
FOOTSWITCH MIC FX DETECT	X	1 (U11.1)	1 (U11.3)	

ANALOG GATE INHIBIT IS TIED LOW (ENABLED)
(HDx) REFERS TO THE MICRO DSP HEADER, P1

NOTE: THESE JUMPERS (CS1-C56) ARE EMBEDDED IN COPPER TRACES ON THE PCB. THEY DO NOT HAVE SEPARATE FOOTPRINTS.

FOOTSWITCH CONNECTED, CHANNEL FX ON
FOOTSWITCH NOT CONNECTED.

ADDITIONAL CONDITIONS FOR TP34 - TP37:
IN ADDITION TO CONDITIONS IN NOTE 7, SET INSTRUMENT DSP TO THE FIRST CHORUS, THE MIC DSP TO CHORUS, AND THE FX LEVEL TO 5-6 FOR BOTH.

FOR EXPORT UNITS ONLY, THE BLACK WIRE CONNECTION AT IC-1, AND POWER SWITCH PIN 3 IS NOT USED. REFER TO EXPORT TRANSFORMER WIRING DIAGRAM FOR WIRING OF IC-1 AND POWER SWITCH PIN 3.

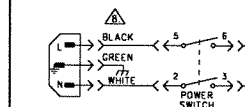
DC TESTPOINT VOLTAGES READ TO CHASSIS GROUND WITH A DVM OF AT LEAST 1M OHM INPUT IMPEDANCE WITH NO INPUT SIGNAL.

AC TESTPOINT VOLTAGES READ TO CHASSIS GROUND WITH A DVM OF AT LEAST 1M OHM INPUT IMPEDANCE, 1kHz @ 20 mVAC RMS INPUT.

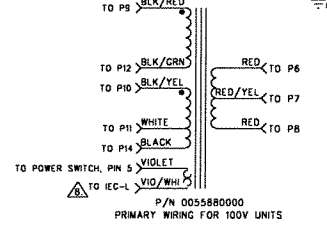
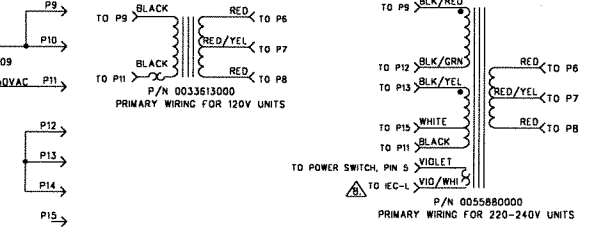
LAST REFERENCE: C109, D33, F1, J4, P15, PWE, Q3, R126, S4, TP41, U13, W90, W22.

THIS SCHEMATIC IS FOR PCB FABRICATION P/N 0063791000 AND PCB ASSEMBLY P/N 0063792000.

MEASURES 0V - 390mV WITH STRING DYNAMICS CONTROL CHANGE FROM 1-10.
FOOTSWITCH CONNECTED, CHANNEL FX OFF.



F1 FUSE VALUE	T1A 250V
100V-120V	
220V-240V	F500mA 250V



THIS DOCUMENT CONTAINS INFORMATION OF A PROPRIETARY NATURE TO FENDER MUSICAL INSTRUMENTS AND IS SUBMITTED TO YOU IN CONFIDENCE AND SHALL NOT BE DISCLOSED OR TRANSMITTED TO OTHERS WITHOUT AUTHORIZATION FROM FENDER MUSICAL INSTRUMENTS.

Fender MUSICAL INSTRUMENTS
Corona, CA USA

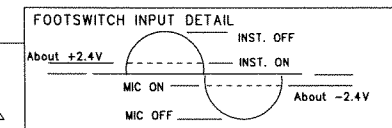
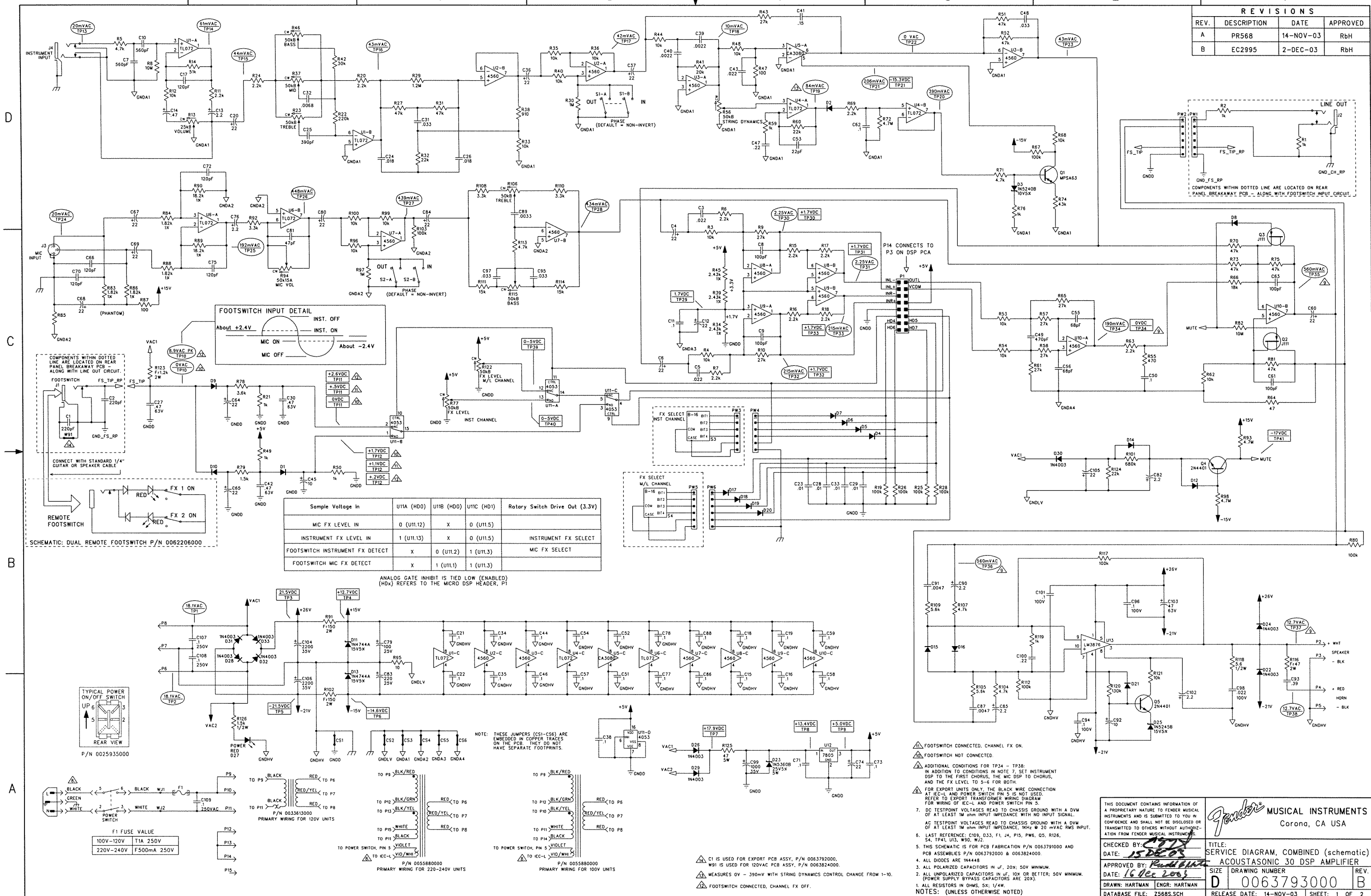
CHECKED BY: *M. J. Hartman*
DATE: 18-NOV-03
APPROVED BY: *M. J. Hartman*
DATE: 18-NOV-03

TITLE: SERVICE DIAGRAM, COMBINED (schematic)
ACOUSTASONIC 30 DSP
MAIN

DRAWN: HARTMAN ENGR: HARTMAN
DATABASE FILE: Z56BS.SCH

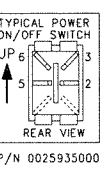
SIZE: 0063793000
RELEASE DATE: 14-NOV-03
SHEET: 1 OF 2

REVISIONS			
REV.	DESCRIPTION	DATE	APPROVED
A	PR568	14-NOV-03	RbH
B	EC2995	2-DEC-03	RbH

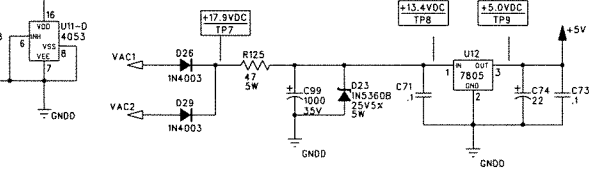
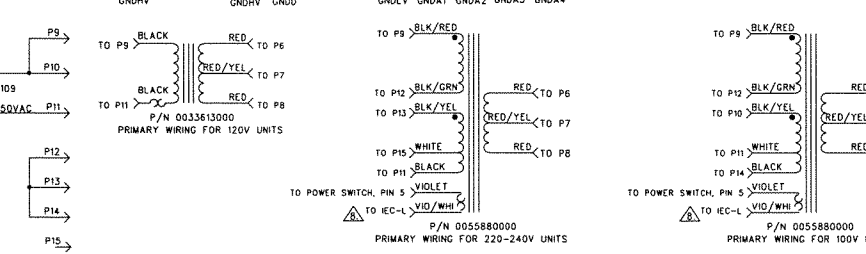


Sample Voltage In	U11A (HD0)	U11B (HD0)	U11C (HD1)	Rotary Switch Drive Out (3.3V)
MIC FX LEVEL IN	0 (U11.12)	X	0 (U11.5)	
INSTRUMENT FX LEVEL IN	1 (U11.13)	X	0 (U11.5)	INSTRUMENT FX SELECT
FOOTSWITCH INSTRUMENT FX DETECT	X	0 (U11.2)	1 (U11.3)	MIC FX SELECT
FOOTSWITCH MIC FX DETECT	X	1 (U11.1)	1 (U11.3)	

ANALOG GATE INHIBIT IS TIED LOW (ENABLED) (HDx) REFERS TO THE MICRO DSP HEADER, P1



F1 FUSE VALUE
100V-120V T1A 250V
220V-240V F500mA 250V



- FOOTSWITCH CONNECTED, CHANNEL FX DN.
- FOOTSWITCH NOT CONNECTED.
- ADDITIONAL CONDITIONS FOR TP34 - TP38: IN ADDITION TO CONDITIONS IN NOTE 7, SET INSTRUMENT DSP TO THE FIRST CHORUS, THE MIC DSP TO CHORUS, AND THE FX LEVEL TO 5-6 FOR BOTH.
- FOR EXPORT UNITS ONLY, THE BLACK WIRE CONNECTION AT IEC-1 AND POWER SWITCH PIN 5 IS NOT USED. REFER TO EXPORT TRANSFORMER WIRING DIAGRAM FOR WIRING OF IEC-1 AND POWER SWITCH PIN 5.
- DC TESTPOINT VOLTAGES READ TO CHASSIS GROUND WITH A DVM OF AT LEAST 1M OHM INPUT IMPEDANCE, 100Hz @ 20 mVAC RMS INPUT.
- AC TESTPOINT VOLTAGES READ TO CHASSIS GROUND WITH A DVM OF AT LEAST 1M OHM INPUT IMPEDANCE, 100Hz @ 20 mVAC RMS INPUT.
- LAST REFERENCE: C109, D33, F1, J4, P15, P16, Q5, R126, S4, TP41, U13, W90, W92.
- THIS SCHEMATIC IS FOR PCB FABRICATION P/N 0063791000 AND PCB ASSEMBLIES P/N 0063792000 & 0063824000.
- ALL DIODES ARE 1N4448.
- ALL POLARIZED CAPACITORS IN uF, 20%; 50V MINIMUM.
- ALL UNPOLARIZED CAPACITORS IN uF, 10% OR BETTER; 50V MINIMUM. (POWER SUPPLY BYPASS CAPACITORS ARE 20%).
- ALL RESISTORS IN OHMS, 5%; 1/4W.
- NOTES: (UNLESS OTHERWISE NOTED)

THIS DOCUMENT CONTAINS INFORMATION OF A PROPRIETARY NATURE TO FENDER MUSICAL INSTRUMENTS AND IS SUBMITTED TO YOU IN CONFIDENCE AND SHALL NOT BE DISCLOSED OR TRANSMITTED TO OTHERS WITHOUT AUTHORIZATION FROM FENDER MUSICAL INSTRUMENTS.

Fender MUSICAL INSTRUMENTS
Corona, CA USA

CHECKED BY: *[Signature]* TITLE: SERVICE DIAGRAM, COMBINED (schematic)
DATE: 15 Dec 03 ACUSTASONIC 30 DSP AMPLIFIER

APPROVED BY: *[Signature]* SIZE: DRAWING NUMBER
DATE: 16 Dec 2003 D 0063793000 REV. B

DRAWN: HARTMAN ENGR: HARTMAN
DATABASE FILE: Z568S.SCH RELEASE DATE: 14-NOV-03 SHEET: 1 OF 2