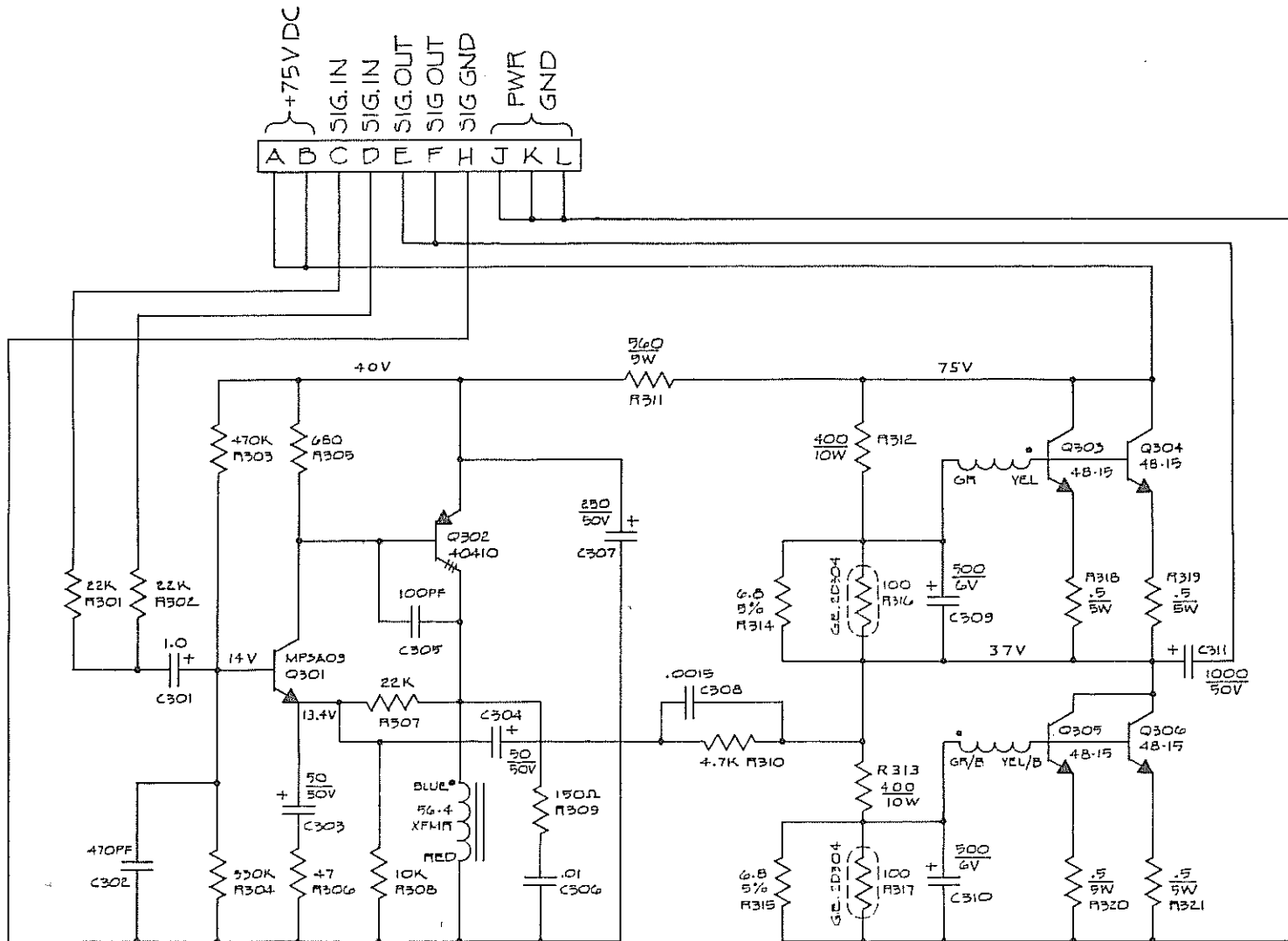


PREAMP (17-10)

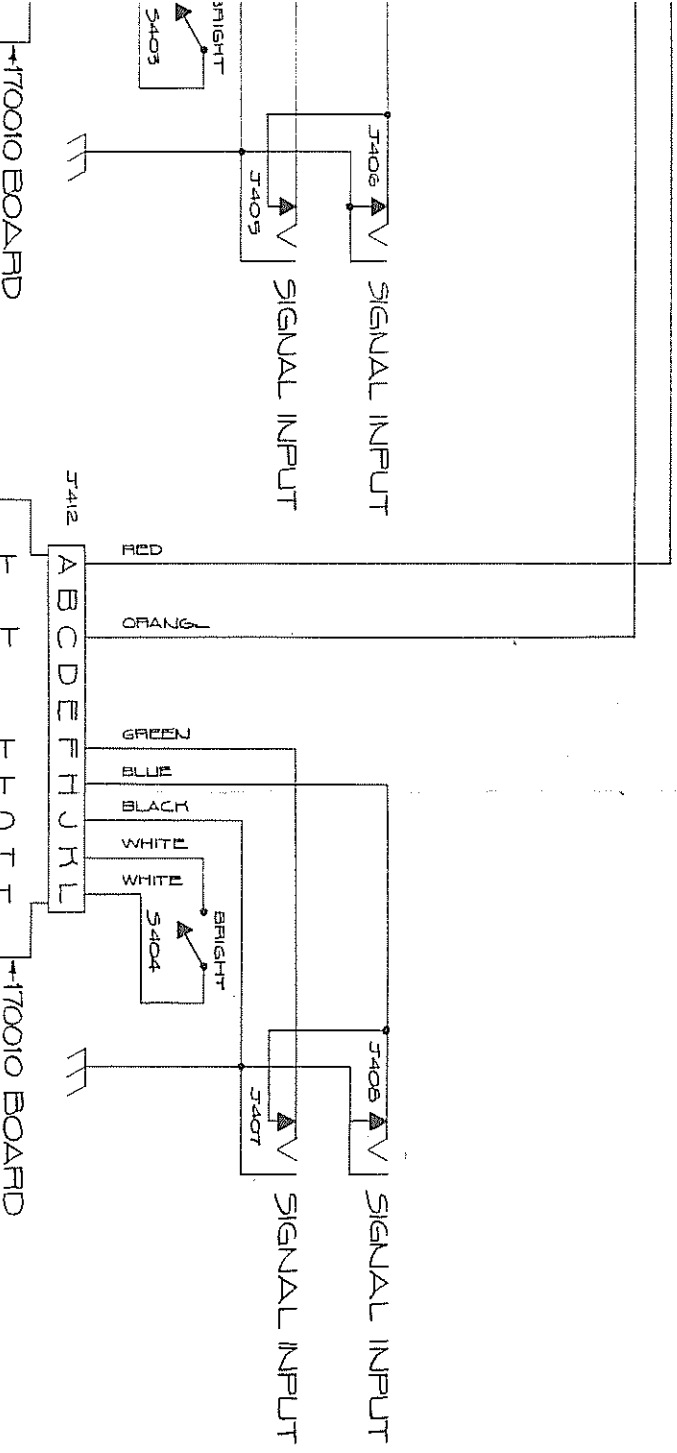
BY CHG PBR BCM 1101	12-11-72
AIMADE NEW DWG	1-11-71
SCALE: NONE	APPROVED:
DATE: 1-11-71	DRAWN: JHC
SCHEMATIC 17-10	
ACOUSTIC CONTROL CORP.	1104B

P/N 410051



POWER MODULE (17-12)

A MADE NEW VELLUM	1-11-71
SCALE NONE	APPROVED
DATE 1-11-71	DRAWN
SCHEMATIC (17-12)	
ACOUSTIC CONTROL CORP	1103A



- I. . . PILOT LAMP
- P. . . PLUG
- T. . . TRANSFORMER
- F. . . FUSE
- S. . . SWITCH
- J. . . JUNCTION
- R. . . RESISTOR
- C. . . CAPACITOR

BI EQU LIT'S MADE NEW DWG	3-5-75 JLE
DATE: NONE	REVISION: JLE
DATE: 3-5-75	DESIGNED BY: [Signature]
CHAS 919 WIRING (140)	
ACOUSTIC CONTROL	
	1107B