

REFERENCE DRAWINGS

- C 1595 — PREAMP
- C 1575 — EQUALIZER
- D 1598 — POWER AMP
- C 1613 — POWER SUPPLY
- E 1600 — MASTER SCHEMATIC

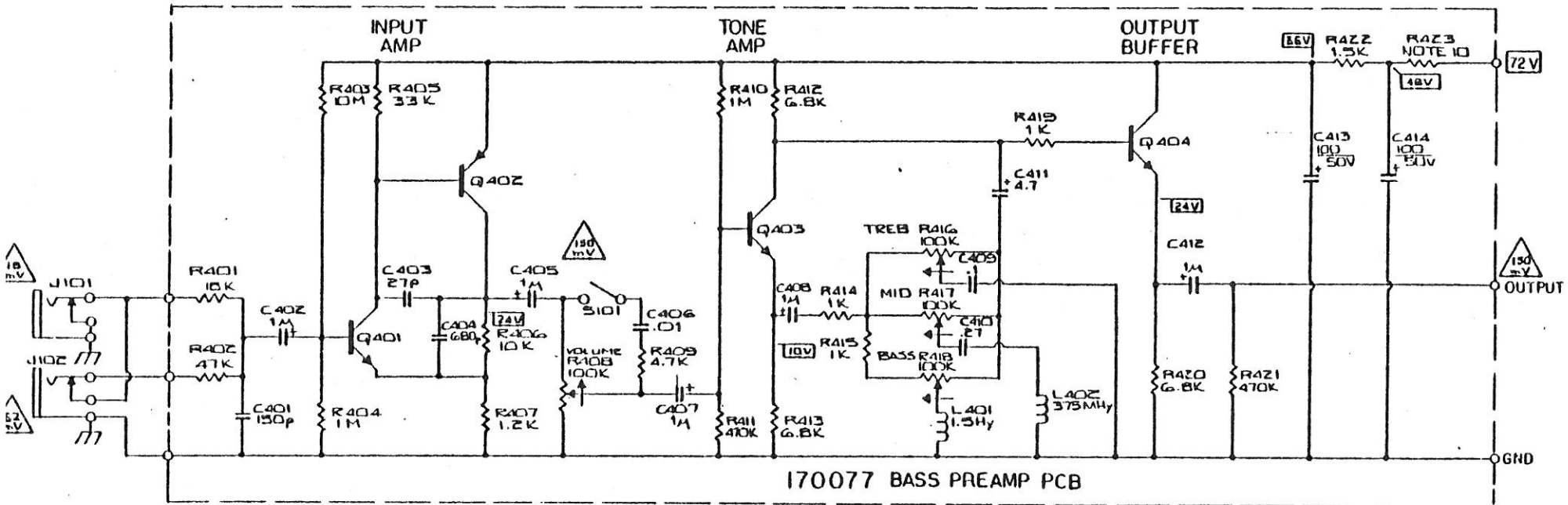
BY	DATE
DRAWN R. ALBUINO	8-17-77
CHECKED	
APPROVED <i>[Signature]</i>	8/17/77

**acoustic control corp**  
van nuys, california 91408

PROPRIETARY INFORMATION  
ALL INFORMATION CONTAINED IN THIS DOCUMENT IS THE PROPERTY OF acoustic control corp. AND IS NOT TO BE DIVULGED OR EMPLOYED IN ANY WAY WITHOUT SPECIFIC APPROVAL FROM acoustic control corp.

TITLE  
**BLOCK SCHEMATIC MODEL 220**

SIZE	DRAWING NO.	PART NO.	REV
C	3	1615	
SCALE	DO NOT SCALE THIS PRINT		

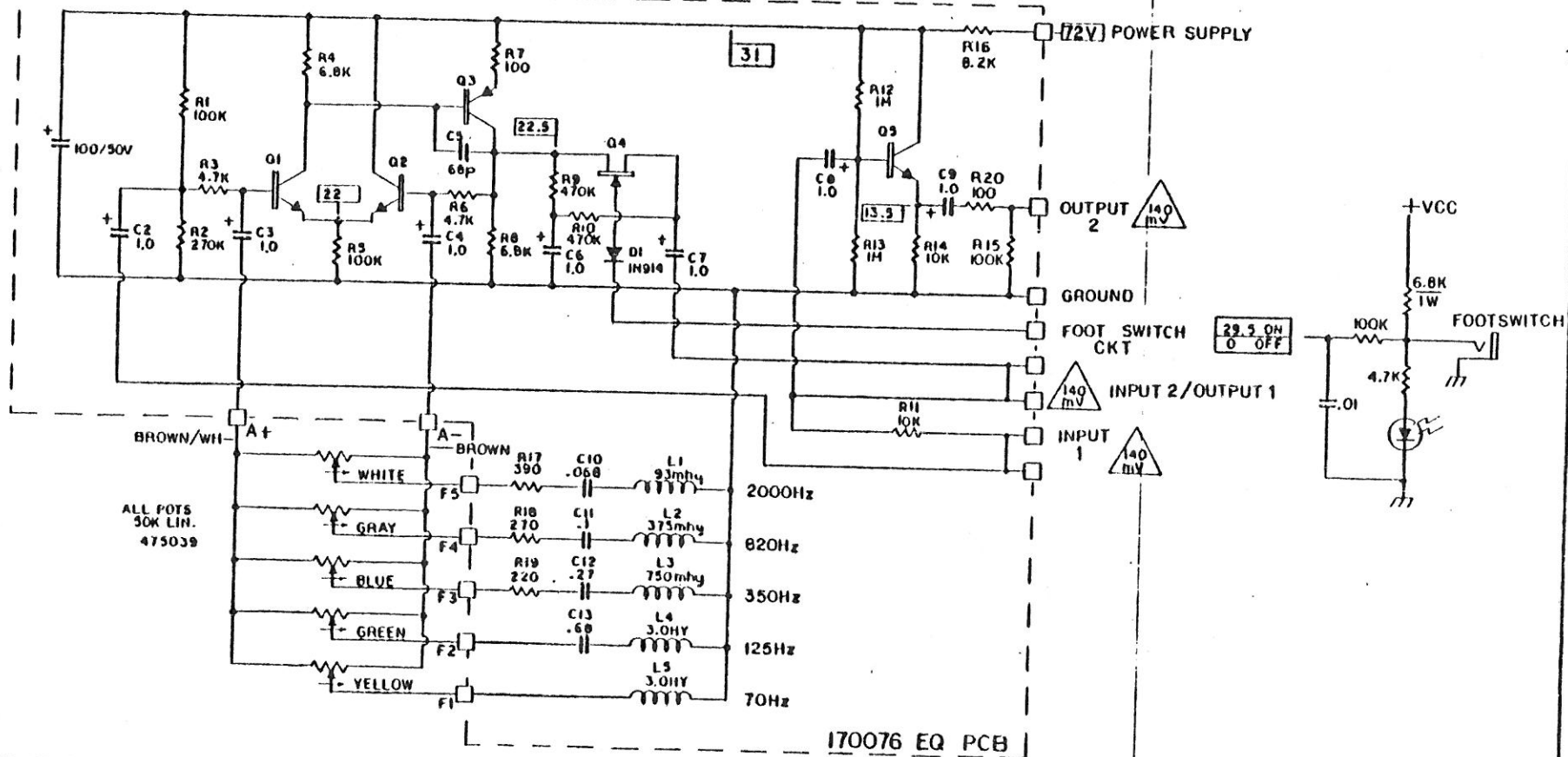
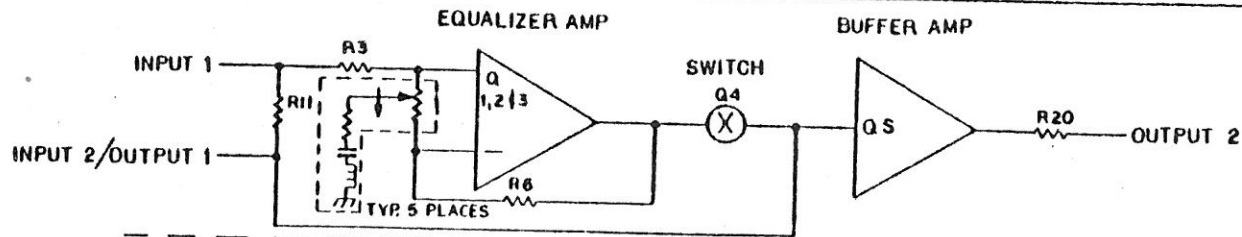


170077 BASS PREAMP PCB

NOTES: UNLESS NOTED OTHERWISE

1. ALL RESISTORS ARE IN OHMS 1/2W 5%
2. ALL CAPACITORS ARE IN MFD
3. ALL DIODES ARE 400005 IN914
4. ALL NPN TRANSISTORS 400023 2N2484
5. ALL PNP TRANSISTORS 400032 2N4248
6. □ = DC VOLTS FROM GROUND USING V IVM NO SIGNAL APPLIED
7. Δ = AC VOLTS FROM GROUND USING ACVTVM 1K HZ SIGNAL
8. SUB ASSEMBLY P/N B30045
9. LAST COMPONENT DESIGNATIONS  
R423 - C414 - Q404 - L402
10. R423 3.9K FOR 72V PS  
R423 5.6K FOR 87V PS

Δ CHG R423, ADDED NOTE 10 AND CHG C406 FROM .002A TO .01 5/77			
BY	DATE	<b>acoustic control corp</b> van nuys, california 91408	
DRAWN R. ANGELO	5-23-77		
CHECKED			
APPROVED J. [Signature]	5-24-77	PROPRIETARY INFORMATION TITLE ALL INFORMATION CONTAINED IN THIS DOCUMENT IS THE PROPERTY OF acoustic control corp. AND IS NOT TO BE DIVULGED OR EMPLOYED IN ANY WAY WITHOUT SPECIFIC APPROVAL FROM acoustic control corp.	
SIZE	DRAWING NO.	BASS PREAMP • 170077	
C	CODE	PART NO.	REV
	3	1595	A



NOTES UNLESS OTHERWISE SPECIFIED

- 1 ALL RESISTORS ARE IN OHMS 1/2W 5%
- 2 ALL CAPACITORS ARE IN MFD
- 3 Q1, 2 & 5 - 480023 - 2N2484  
Q3 - 480032 - 2N4248  
Q4 - 480024 - 2N5457
- 4 LAST C, Q & R - C13, Q5, R20
- 5  $\square$  - DC VOLTS FROM GROUND USING VTVM  
NO SIGNAL APPLIED  
 $\triangle$  - AC VOLTS FROM GROUND USING ACVTVM  
1KHZ SIGNAL - POTS MID POS.

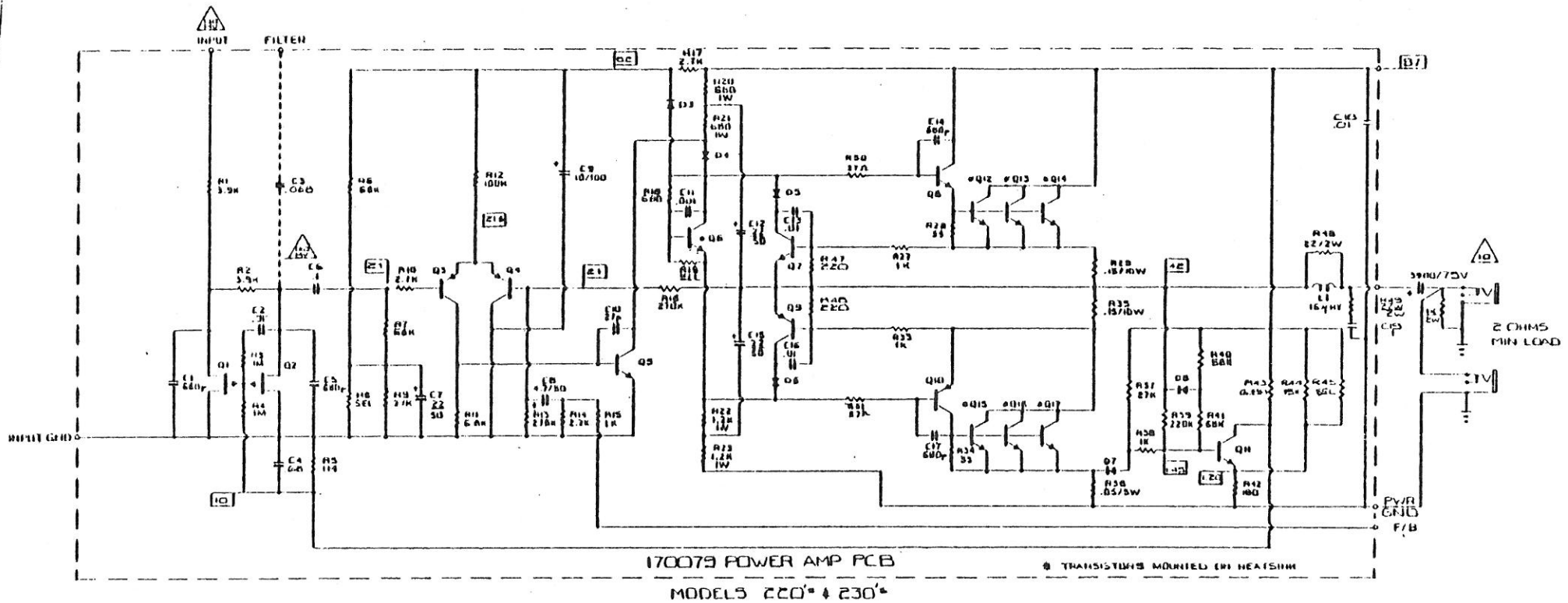
D	ADDED WIRE COLORS TO EQ POTS	10-3-77
C	ADDED BLOCK DIAGRAM AND REMOVED NOTE 6	6-22-77
B	ADDED R20 AND CHG'D NOTE 4	7-19-77
A	ADDED NOTE 6, CHG VALUE R11 FOR DIFFERENT P'S VOLTAGE	6-1-77

BY	DATE
DRAWN <i>[Signature]</i>	7-12-77
CHECKED	
APPROVED <i>[Signature]</i>	3-14-77

**acoustic control corp**  
van nuys, california 91406

PROPRIETARY INFORMATION  
ALL INFORMATION CONTAINED IN THIS DOCUMENT IS THE PROPERTY OF acoustic control corp. AND IS NOT TO BE DIVULGED OR EMPLOYED IN ANY WAY WITHOUT SPECIFIC APPROVAL FROM acoustic control corp.

TITLE			
SCHEMATIC - GRAPHIC EQUALIZER			
SIZE	DRAWING NO.	PART NO.	REV
C	3	1575	D



170073 POWER AMP PCB

8 TRANSISTORS MOUNTED IN HEATSHIM

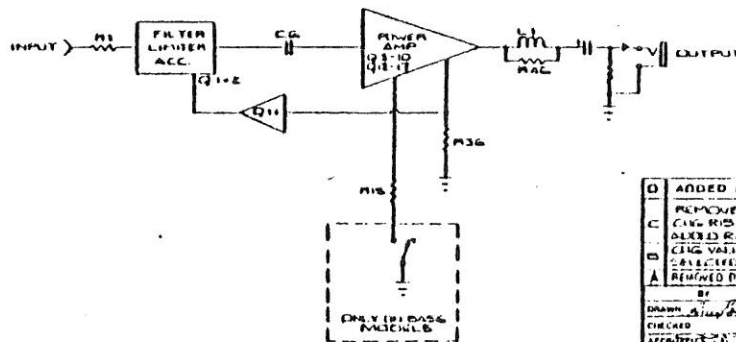
MODELS 220 & 230

NOTES UNLESS NOTED OTHERWISE

- 1 RESISTORS ARE 1/8 OHMS 1/2W 5%
- 2 CAPACITORS ARE IN MFD
- 3 DIODES ARE 1N4148
- 4 C3 + DC VOLTS FROM GROUND USING VTVM
- 5 Δ AC VOLTS FROM GROUND USING NO SIGNAL APPLIED
- 6 Δ AC VOLTS FROM GROUND USING ACVTVM IN DC SIGNAL
- 7 LAST COMPONENT DESIGNATIONS R01 - Q17 - Q0 - 11
- 8 REF ASSY IN DRAWING
- 9 REF PART Y IN 101
- 10 Δ AC VOLTS FROM GROUND USING ACVTVM IN DC SIGNAL
- 11 REF ASSY IN DRAWING
- 12 COMPONENT NOT USED - 1 R24, 25, 26, 30, 31, 32

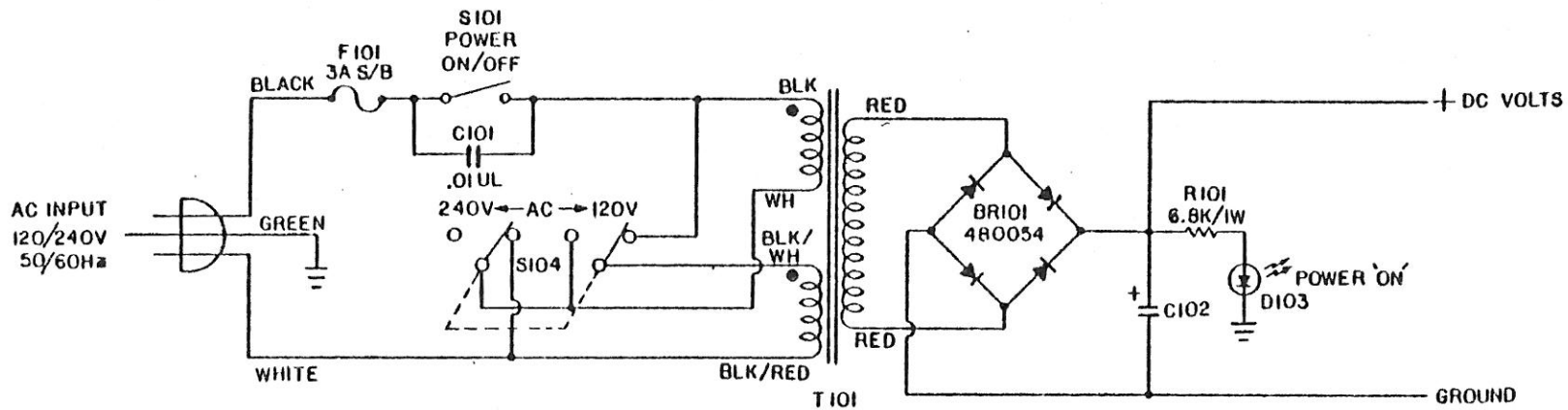
Q#	ACOUSTIC PIN	MFG PIN
1-2	100033 P P ET	EN4560
3A-3	100032 PNP	EN4248
5	100003 NPN	KA4100B
6-11	100003 NPN	PN203A
13	100003 NPN	KA203A
10	100003 PNP	KA203A
12-4	100008 NPN	SPECIAL

COMP	MIN VALUE	MAX VALUE	TYPE
R10	60K	220K	150K
R15	60K	60K	60K
R35	60K	NONE	100K



REV	DATE	BY	CHKD	APP'D
0	3-31-77	...	...	...

**ACOUSTIC CONTROL CORP**  
 van Nuys, California 91400  
 FILE 170073  
 SCHEMATIC PW11 AMP PCB  
 PART NO 1598  
 REV 0



MODELS	T101	C102	DC VOLTS	F101 @ 120V 125V FUSE	F101 @ 240V 250V FUSE
114/115/116	560013 OR 560026	$\frac{3900}{80}$	76	3ASB	1.5ASB
124/125/126	560013 OR 560026	$\frac{7800}{100}$	76	3ASB	1.5ASB
220/230	560014	$\frac{7800}{100}$	87	5ASB	2.5ASB
320/330	560027	$\frac{7800}{100}$	98	6.25ASB	3ASB

BY	DATE	<b>acoustic control corp</b> van nuys, california 91406	
DRAWN R. ANGIUNO	7-28-77		
CHECKED			
APPROVED <i>[Signature]</i>	7-28-77	TITLE	
PROPRIETARY INFORMATION ALL INFORMATION CONTAINED IN THIS DOCUMENT IS THE PROPERTY OF acoustic control corp. AND IS NOT TO BE DIVULGED OR EMPLOYED IN ANY WAY WITHOUT SPECIFIC APPROVAL FROM acoustic control corp.		AC POWER SUPPLY GUITAR AMP'S	
SIZE	DRAWING NO.	PART NO.	REV
C	CODE 3	1613	
SCALE	DO NOT SCALE THIS PRINT		