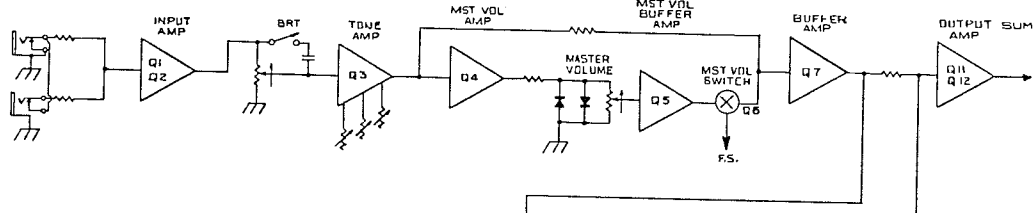
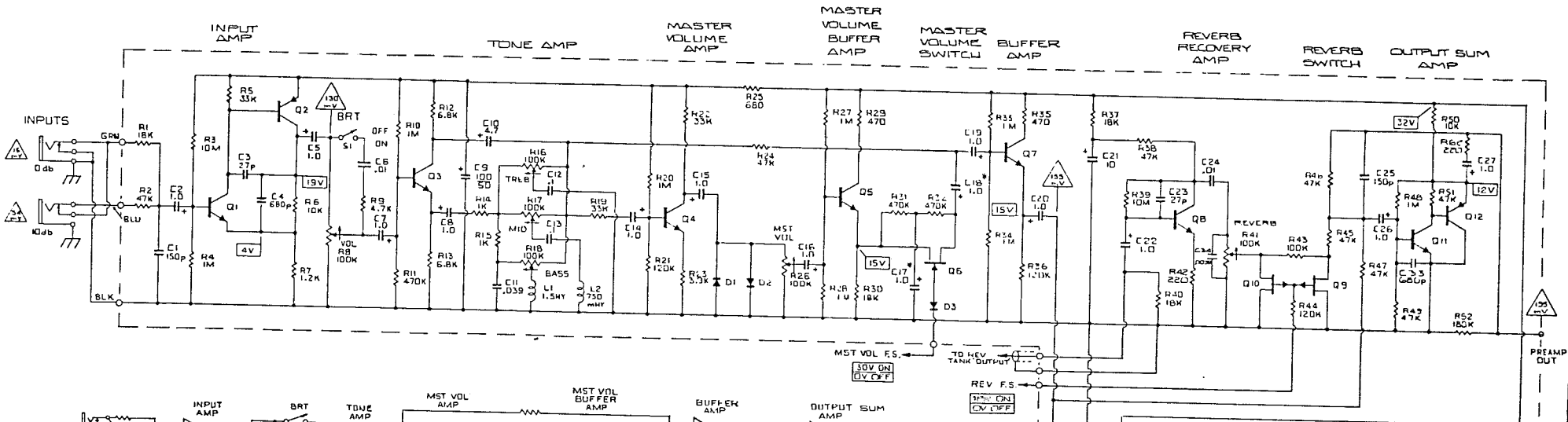
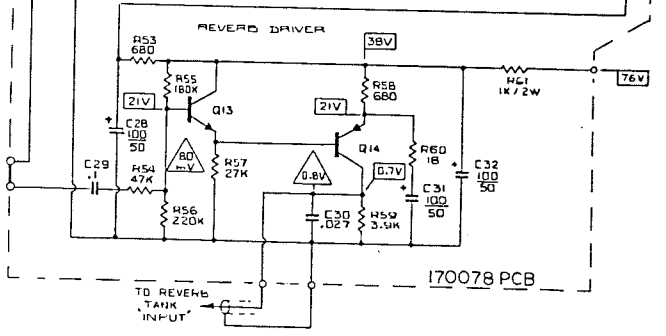
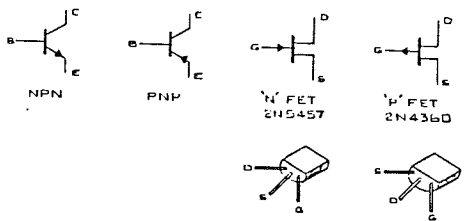


- REFERENCE DRAWING
- 1601 - PRE AMP
 - 1575 - EQUALIZER
 - 1598 - POWER AMP
 - 1613 - POWER SUPPLY
 - 1599 - MASTER SCHEMATIC

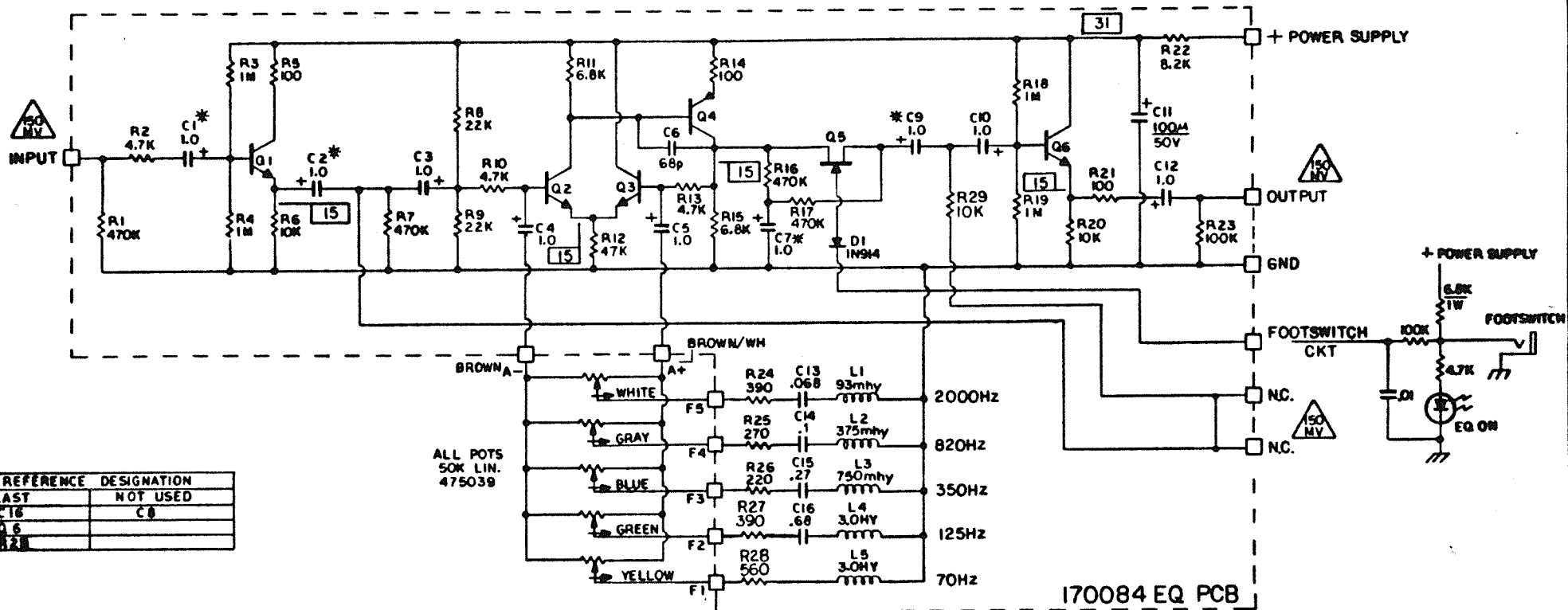
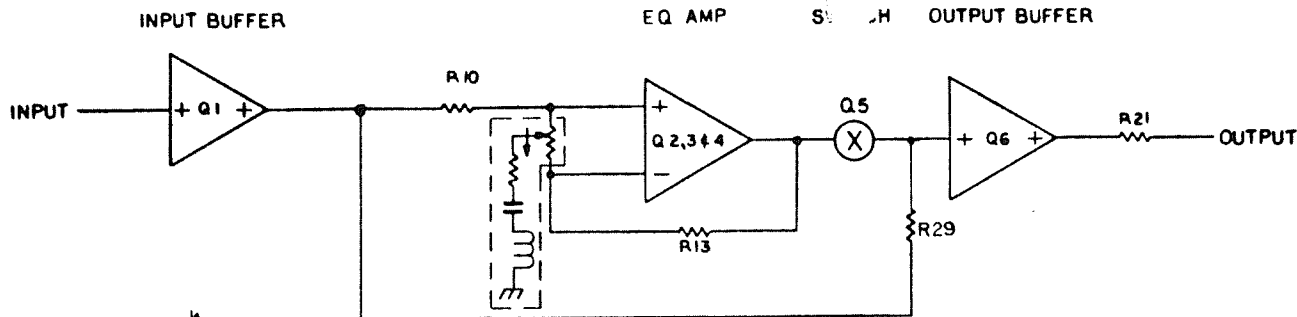
BY	DATE	acoustic control corp van nuys, california 91406	
DRAWN R. (AKG) 11/11/77	11-18-77		
CHEKED			
APPROVED	11/11/77	PROPRIETARY INFORMATION <small>ALL INFORMATION CONTAINED IN THIS DOCUMENT IS THE PROPERTY OF acoustic control corp. AND IS NOT TO BE DISCLOSED OR EMPLOYED IN ANY WAY WITHOUT SPECIFIC APPROVAL FROM acoustic control corp.</small>	
TITLE		BLOCK SCHEMATIC MODEL 230	
SIZE	DRAWING NO.	PART NO.	REV
C	3	1621	
SCALE		DO NOT SCALE THIS PRINT	



- NOTES UNLESS OTHERWISE NOTED
- 1 ALL RESISTORS ARE IN OHMS 1/2W 5%
 - 2 ALL CAPACITORS ARE IN MFD
 - 3 ALL DIODES ARE 480003 1N914
 - 4 ALL NPN TRANSISTORS ARE 480023 2N2484
 - 5 ALL PNP TRANSISTORS ARE 480032 2N4248
 - 6 ALL N⁺ FETS ARE 480024 2N5457
 - 7 ALL P⁺ FETS ARE 480033 2N4360
 - 8 \square DC VOLTS FROM GROUND USING VTVM
NO SIGNAL APPLIED
 - 9 \triangle AC VOLTS FROM GROUND USING ACVTVM
500Hz SIGNAL
 - 10 Q1 IS 480055 RCA4046
 - 11 LAST COMPONENT DESIGNATION
R62 - C34 - Q14 - D3 - L2 - S1
 - 12 \star TANTALUM CAPACITORS



C REVISED PER ECN #1647		2-16-78 M1
B ADDED C34, R62 AND CHGD NOTE 11		10-3-78 M1
A ADDED C33 AND CHGD NOTE 11		7-18-77 M1
BY	DATE	
DRAWN	6-2-77	
CHECKED		
APPROVED	10-1-77	
acoustic control corp van nuys, california 91408		
TITLE		170078
SCHEMATIC PREAMP PCB		
SIZE	DRAWING NO.	
D	4	
SCALE	PART NO.	1601
	REV	C
DO NOT SCALE THIS PRINT		



REFERENCE DESIGNATION	
LAST	NOT USED
C18	C8
Q6	
R28	

NOTES:

1. ALL RESISTORS ARE IN OHMS 1/2W 5%
2. ALL CAPACITORS ARE IN MFD
3. Q1,2,3 & 6 - 480023 - 2N2484
Q4 - 480032 - 2N4248
Q5 - 480024 - 2N5457
4. □ = DC VOLTS FROM GROUND USING VTVM
NO SIGNAL APPLIED
Δ = AC VOLTS FROM GROUND USING ACVTVM
1KHz SIGNAL - POTS MID POS.
5. * = TANTALUM CAPACITORS

E CHANGED R27(10K) TO R29 CORRECTED LAST R'NO.	7-22-78
D REVISED PER ECN 1775	6-27-78 HI
C REVISED PER ECN'S 1674 & 1733	5-23-78 HI
B REVISED PER ECN 1644	2-18-78 HI
A CUGID POSITION OF R27 ADDED WIRE COLORS TO SLIDE POTS	10-3-77 HI

BY	DATE
DRAWN R. ANGLIM 03-23-77	
CHECKED	
APPROVED <i>[Signature]</i>	8/25/77

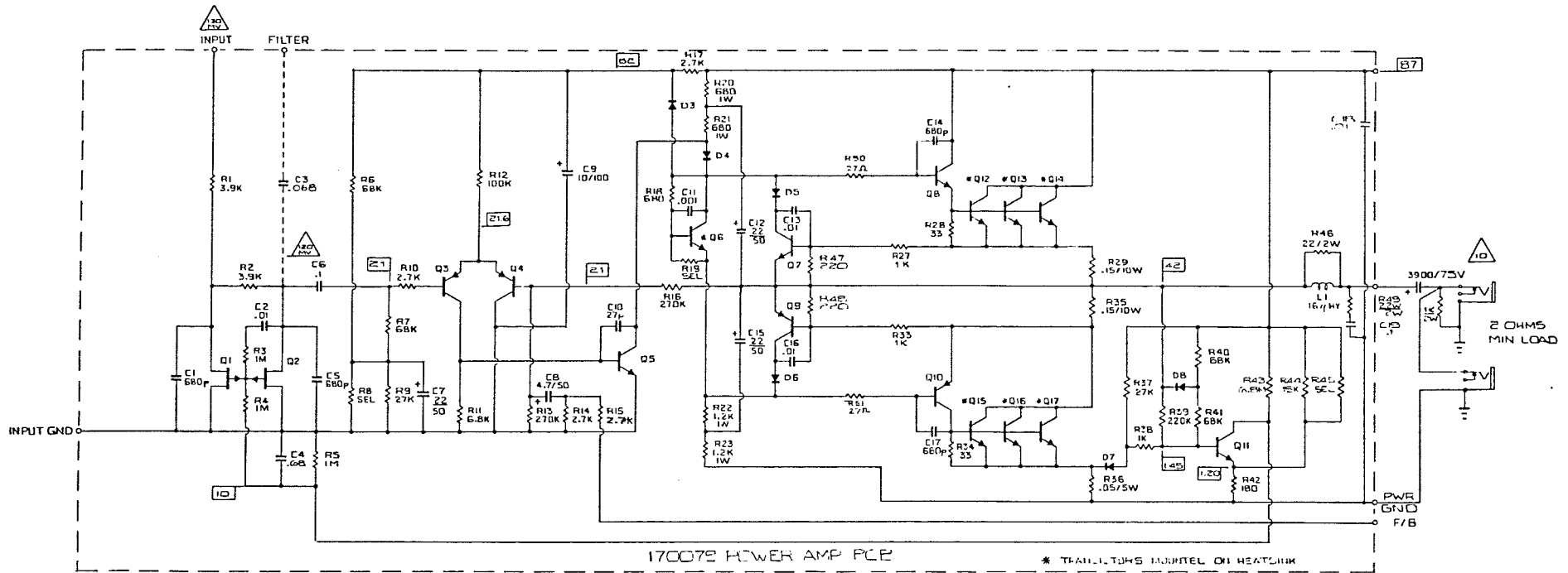
acoustic control corp
van nuys, california 91406

PROPRIETARY INFORMATION
ALL INFORMATION CONTAINED IN THIS DOCUMENT IS THE PROPERTY OF acoustic control corp. AND IS NOT TO BE DIVULGED OR EMPLOYED IN ANY WAY WITHOUT SPECIFIC APPROVAL FROM acoustic control corp.

TITLE
EQUALIZER 170084 SCHEMATIC

SIZE	DRAWING NO.	REV
C	3	E
CODE	PART NO.	
	1623	

SCALE _____ DO NOT SCALE THIS PRINT



170072 POWER AMP PCB
MODELS 220 & 230

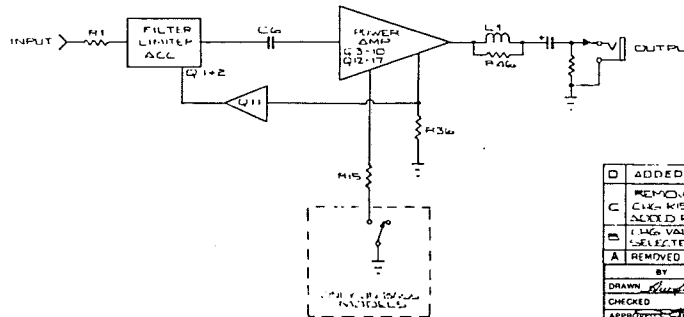
NOTES UNLESS NOTED OTHERWISE

- 1 RESISTORS ARE IN OHMS 1/2W 5%
- 2 CAPACITORS ARE IN MFD
- 3 DIODES ARE IN 9A 4800DS
- 4 \square DC VOLTS FROM GROUND USING VTVM
- 5 \triangle AC VOLTS FROM GROUND USING ACVTVM 1K Hz SIGNAL
- 6 LAST COMPONENT DESIGNATIONS
R61 - Q17 - D6 - L1
- 7 PFC ASSY PIN 030050
PFC ONLY B30051
- 8 BIAS ADJUSTMENT - R10 SELECTED FOR APPROX. 25-30 WATTS AS POWER AT 120 VOLTS LINE
- 9 SYMMETRICAL CLIPPING - R30 SELECTED FOR SYMMETRICAL CLIPPING 2 OHMS 2 OHM LOAD 1KHz @ 120 VOLTS LINE
- 10 AGC - R45 SELECTED FOR NO AGC ACTION BELOW 18V @ 2 OHMS LOAD, AGC ACTION BY 19 VOLTS
- 11 NONE
- 12 COMPONENT NOT USED C3 R24, 25, 26, 30, 31, 32

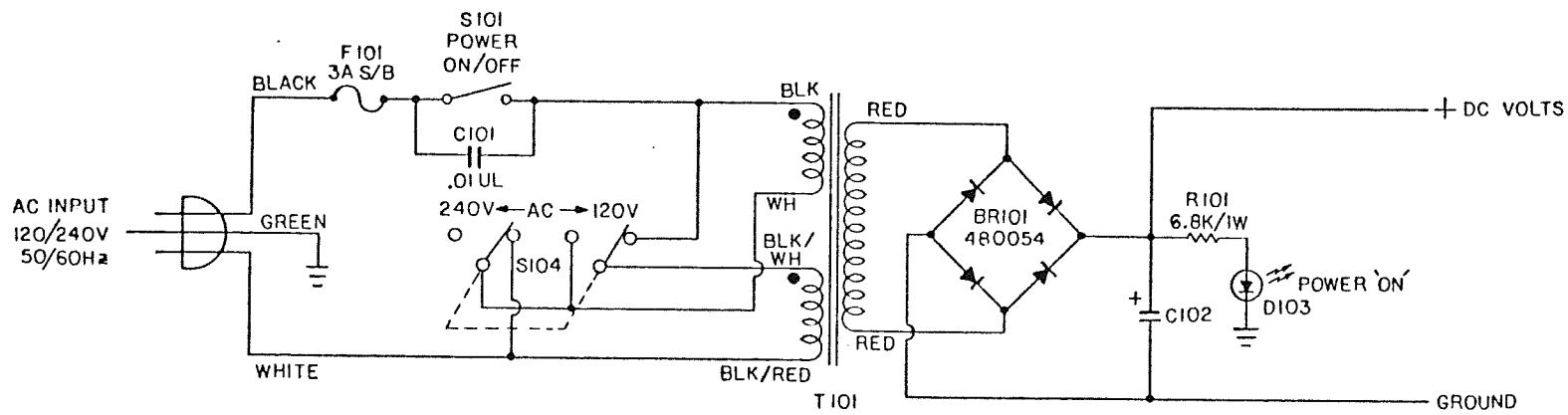
Q'S	ACOUSTIC PIN	MFG PIN
1-2	480033 P FET	2N4350D
3,4-3	480032 PNP	2N124B
5	480003 NPN	KA4040B
6,7-11	480023 NPN	1N2334
13	480056 NPN	KA4040A
10	480057 PNP	KA4040A
12-17	480058 NPN	SPECIAL

SELECTED PARTS

COMP #	MIN VALUE	MAX VALUE	TYP VALUE
R3	68K	220K	150K
R19	56C	82C	68C
R45	6.25K	NONE	10.7K



D	ADDED R50 & 51 CHANGE NOTE 6	8-20-77
C	REMOVED R24, 25, 26, 30, 31 & 32 NOTE 11 CHK R15 27 & 32 C3 UNITE C ADDED R41 R140 118 & 120 NOTE 11	7-15-77
B	CHK VALUES OF R18, R25, R32 (SEE BLOCK DIAGRAM) AND SELECTED PARTS BLOCK 180 DRG AND UNITS B3, B10, 11	8-23-77
A	REMOVED DIODES D1 AND D2	7-18-77
BY: [Signature] DATE: 5-31-77 DRAWN: [Signature] CHECKED: [Signature] APPROVED: [Signature] DATE: 4/1/77		
PROPRIETARY INFORMATION ALL INFORMATION CONTAINED IN THIS DOCUMENT IS THE PROPERTY OF ACOUSTIC CONTROL CORP. AND IS NOT TO BE DISCLOSED OR REPRODUCED IN ANY MANNER WITHOUT SPECIFIC APPROVAL FROM ACOUSTIC CONTROL CORP.		TITLE: 170072 SCHEMATIC PWR AMP PCB MODEL 220/230 SIZE: D CODE: 4 PART NO: 1598 REV: D SCALE: DO NOT SCALE THIS PRINT



MODELS	T101	C102	DC VOLTS	F101 @ 120V 125V FUSE	F101 @ 240V 250V FUSE
114/115/116	560013 OR 560026	$\frac{3900}{80}$	76	3ASB	1.5ASB
124/125/126	560013 OR 560026	$\frac{7800}{100}$	76	3ASB	1.5ASB
220/230	560014	$\frac{7800}{100}$	87	5ASB	2.5ASB
320/330	560027	$\frac{7800}{100}$	98	6.25ASB	3ASB

BY	DATE	acoustic control corp van nuys, california 91408			
DRAWN R. AUGUINO	7-28-77				
CHECKED					
APPROVED <i>[Signature]</i>	7-28-77	TITLE			
PROPRIETARY INFORMATION ALL INFORMATION CONTAINED IN THIS DOCUMENT IS THE PROPERTY OF acoustic control corp. AND IS NOT TO BE DIVULGED OR EMPLOYED IN ANY WAY WITHOUT SPECIFIC APPROVAL FROM acoustic control corp.		AC POWER SUPPLY GUITAR AMP'S			
		SIZE	DRAWING NO.		
		C	3	PART NO.	1613
SCALE		DO NOT SCALE THIS PRINT			