

NOTES: UNLESS OTHERWISE SPECIFIED  
 1. ALL SWITCHES ARE OPEN IN THE POSITION SHOWN.  
 2. Δ = AC VOLTS @ 1KHZ. ALL LEVEL CONTROLS MAX EXCEPT MASTER VOLUME AT "70dB" MARK. TONE CONTROLS FLAT. CONTROL MAIN.

REF DWG ONLY

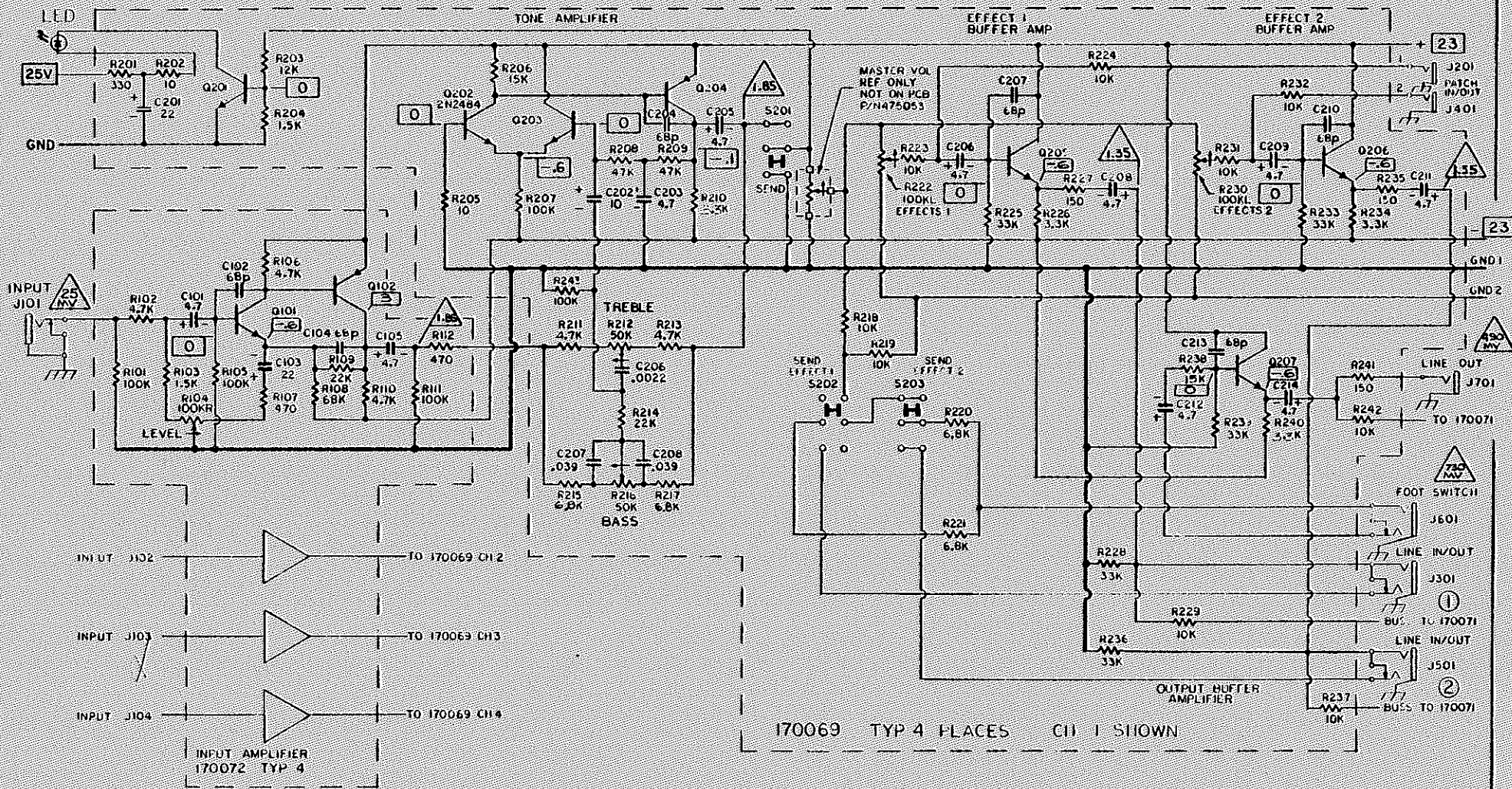
DRAWING	PCB#	TITLE
C 1536	170025 170072	IN/AMPS & LINE PCBs
C 1535	170070	MASTER PCB
C 1537	170071	MIXER PCB
C 1514	170084	GRAPHIC EQUALIZER
C 1534	170073	POWER APPLY/OUTPUT AMPS PCB
C 1545	---	AC POWER & POWER SUPPLY

BY	DATE
DRAWN	5-1-78
CHECKED	
APPROVED	

**acoustic control corp**  
 van nuys, california 91406

PROPRIETARY INFORMATION  
 ALL INFORMATION CONTAINED IN THIS DOCUMENT IS THE PROPERTY OF acoustic control corp. AND IS NOT TO BE DIVULGED OR EMPLOYED IN ANY WAY WITHOUT SPECIFIC APPROVAL FROM acoustic control corp.

TITLE			
BLOCK DIAGRAM -- MODEL 500			
SIZE	DRAWING NO.		
C	CODE	PART NO.	REV
	3	153	00
SCALE: V/V/C		DO NOT SCALE THIS PRINT	

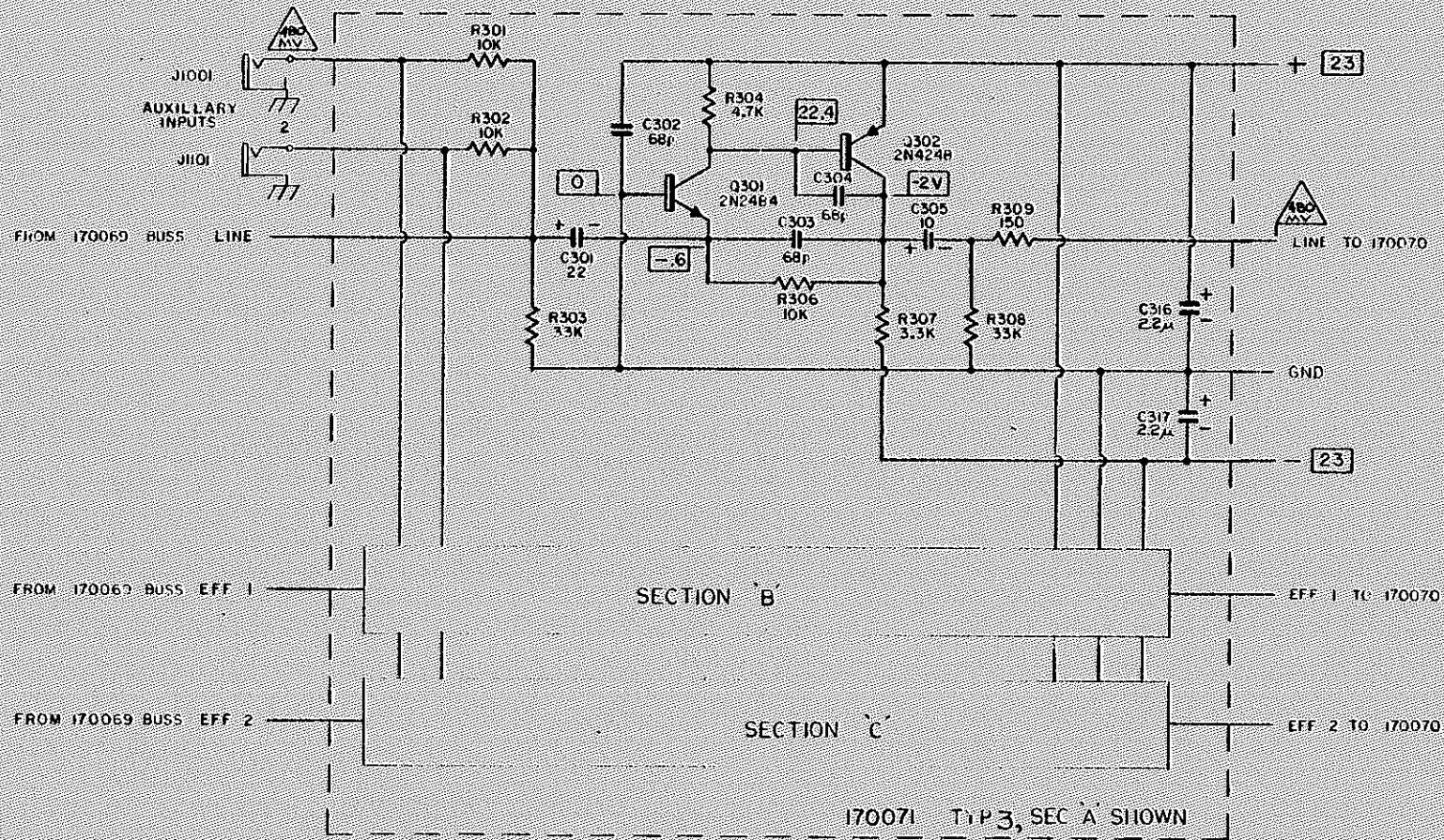


NOTES UNLESS OTHERWISE SPECIFIED

- 1 ALL RESISTORS ARE IN OHMS 1/2W 5%
- 2 ALL CAPACITORS ARE IN MFDS
- 3 LAST R, Q, C DESIGNATIONS  
R148 Q10B, C120  
R243 Q207, C214
- 4 ALL VOLTAGE FROM GROUND  
 □ = DC VOLTS USING VTVM NO SIGNAL APPLIED  
 Δ = AC VOLTS USING ACVTVM 1KHZ SIGNAL
- 5 TRANSISTORS  
 ALL FNP'S 480032 (2N424B)  
 ALL NFN'S 480023 (2N2484)
- 6 REF SUB ASSEMBLY (170072) P/N B30040 & (170069) P/N B3000B
- 7 SWITCHES ARE SHOWN IN THE OUT POSITION

A UPDATED SCHEMATIC ADDED NOTE 7 <i>9/13/76</i>			
BY	DATE	<b>acoustic control corp</b> van nuys, california 91406	
DRAWN <i>Al. Soria</i>	5-26-76		
CHECKED			
APPROVED <i>[Signature]</i>	9/13/76		
PROPRIETARY INFORMATION ALL INFORMATION CONTAINED IN THIS DOCUMENT IS THE PROPERTY OF <b>acoustic control corp.</b> AND IS NOT TO BE DIVULGED OR EMPLOYED IN ANY WAY WITHOUT SPECIFIC APPROVAL FROM <b>acoustic control corp.</b>		TITLE SCHEMATICS - IN/AMI & LINE PCB'S 170069 & 170072	
SIZE	DRAWING NO.	MODEL 500	
C	CODE 3	PART NO. 15	REV A
SCALE: NONE		DO NOT SCALE THIS PRINT	

MIXER AMP  
GAIN X 1

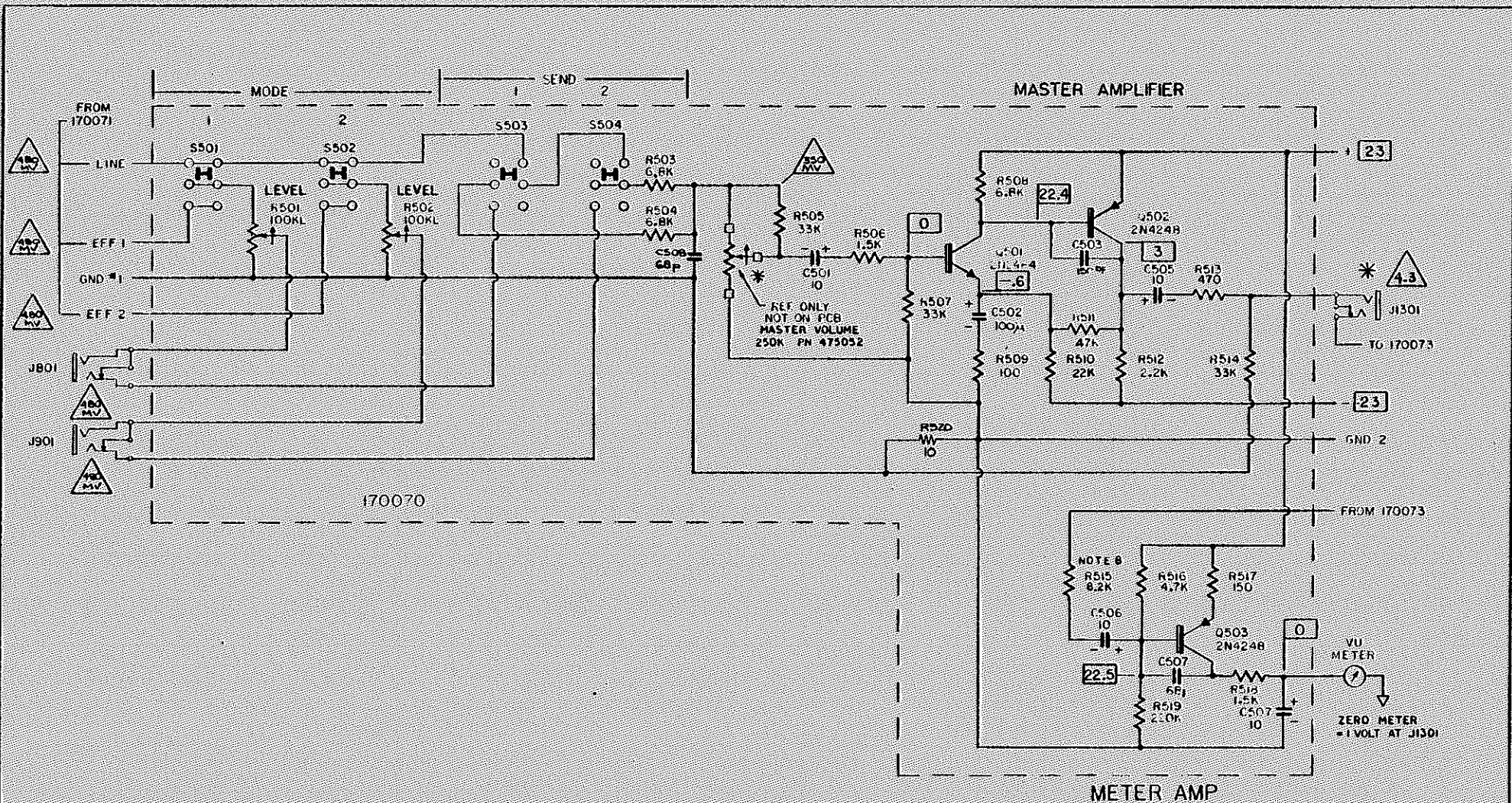


NOTES UNLESS OTHERWISE SPECIFIED

- 1 ALL RESISTORS ARE IN OHMS, 1/2W, 5%
- 2 ALL CAPACITORS ARE IN MFDS.
- 3 LAST R, C, B, Q DESIGNATIONS - R327, C317, Q306.
- 4 ALL VOLTAGES REF FROM GROUND  
0 = DC VOLTS USING VTVM NO SIGNAL APPLIED  
Δ = AC VOLTS USING ACVTVM 1KHz SIGNAL
- 5 REF SUB ASSY P/N 830039

A DELETED R305 - UPDATED VOLTAGES		3-8-76	
BY	DATE	<b>acoustic control corp</b> van nuys, california 91406	
DRAWN: <i>[Signature]</i>	11-20-76		
CHECKED:			
APPROVED: <i>[Signature]</i>	11/21/76	MODEL 500 SCHEMATIC MIXER PCB 170071	
PROPRIETARY INFORMATION ALL INFORMATION CONTAINED IN THIS DOCUMENT IS THE PROPERTY OF ACOUSTIC CONTROL CORP. AND IS NOT TO BE DISCLOSED OR EMPLOYED IN ANY WAY WITHOUT SPECIFIC APPROVAL FROM acoustic control corp.		SIZE C CODE 3 SCALE: NONE	PART NO. 15 REV Δ
DO NOT SCALE THIS PRINT			

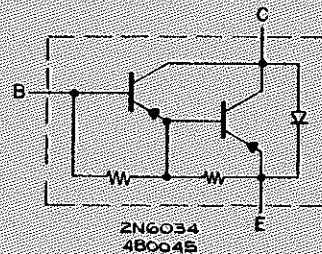
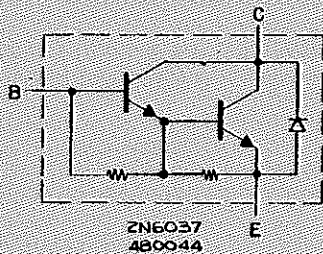
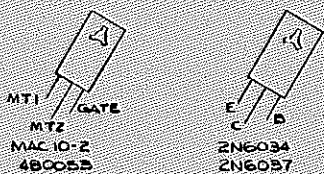
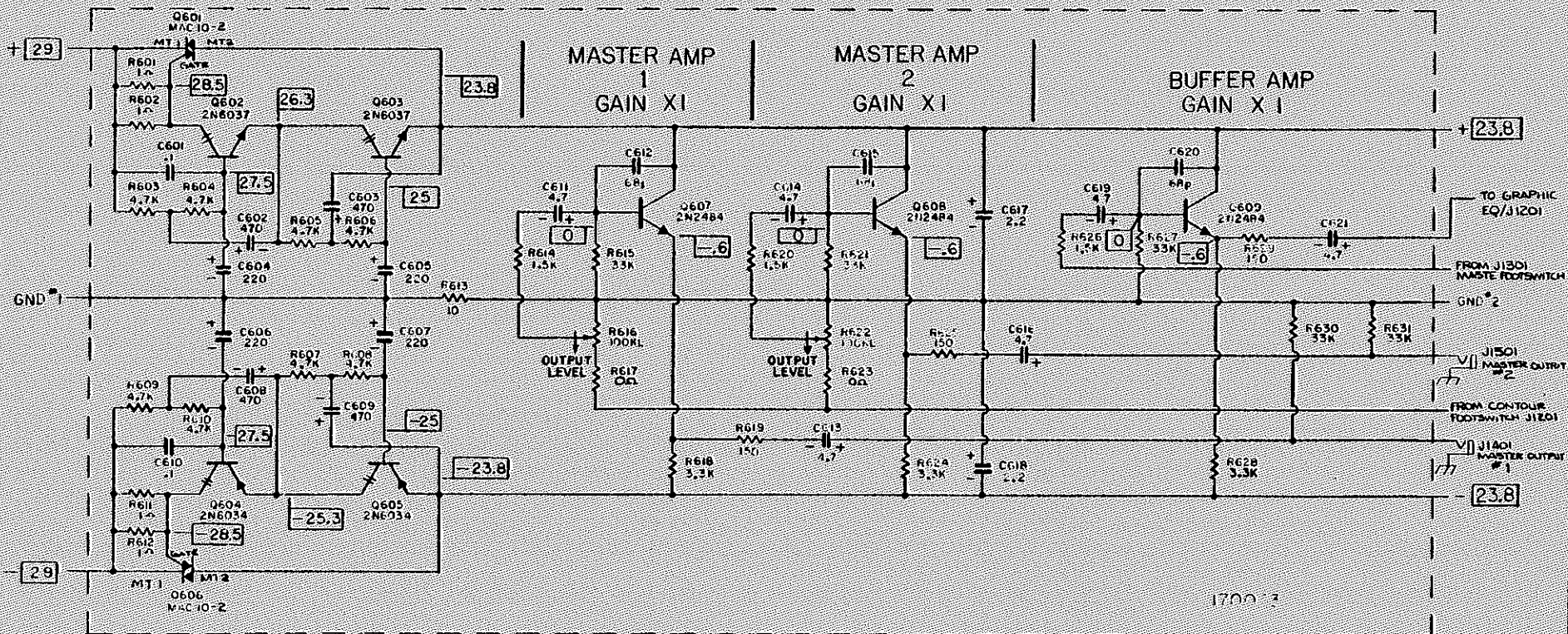




NOTES UNLESS OTHERWISE SPECIFIED

- 1 ALL RESISTORS ARE IN OHMS; 5% 1/2W
- 2 ALL CAPACITORS ARE IN MFD
- 3 LAST R, C B.O. DESIGNATIONS - R500, C500, Q503.
- 4 SWITCHES ARE SHOWN IN THE OUT POSITION
- 5 ALL VOLTAGES REF FROM GROUND
- = DC VOLTS USING VTVM NO SIGNAL APPLIED
- △ = AC VOLTS USING ACVTVM 1KHZ SIGNAL
- 6 REF SUP ASSY P/N 650005
- 7 \* MASTER AMP 100mV @ WIPER OF POT WILL GIVE 4.3V @ OUTPUT OF J1301
- 8 R515 - NOM. VALUE 8.2K ADJ FOR ZERO METER 2.1V AT 1 VOLT OUTPUT

△ SCHEMATIC UPDATED		6/2/76 9-876 1-3	
BY	DATE	<b>acoustic control corp</b> van nuys, california 91406	
DRAWN	6-1-76		
CHECKED		PROPRIETARY INFORMATION ALL INFORMATION CONTAINED IN THIS DOCUMENT IS THE PROPERTY OF acoustic control corp. AND IS NOT TO BE DIVULGED OR EMPLOYED IN ANY WAY WITHOUT SPECIFIC APPROVAL FROM acoustic control corp.	
APPROVED			
TITLE		MODEL 500	
SCHEMATIC - MASTER PCB 170070			
SIZE	DRAWING NO.		
C	CODE	PART NO.	REV
	3	1575	△
SCALE:		DO NOT SCALE THIS PRINT	



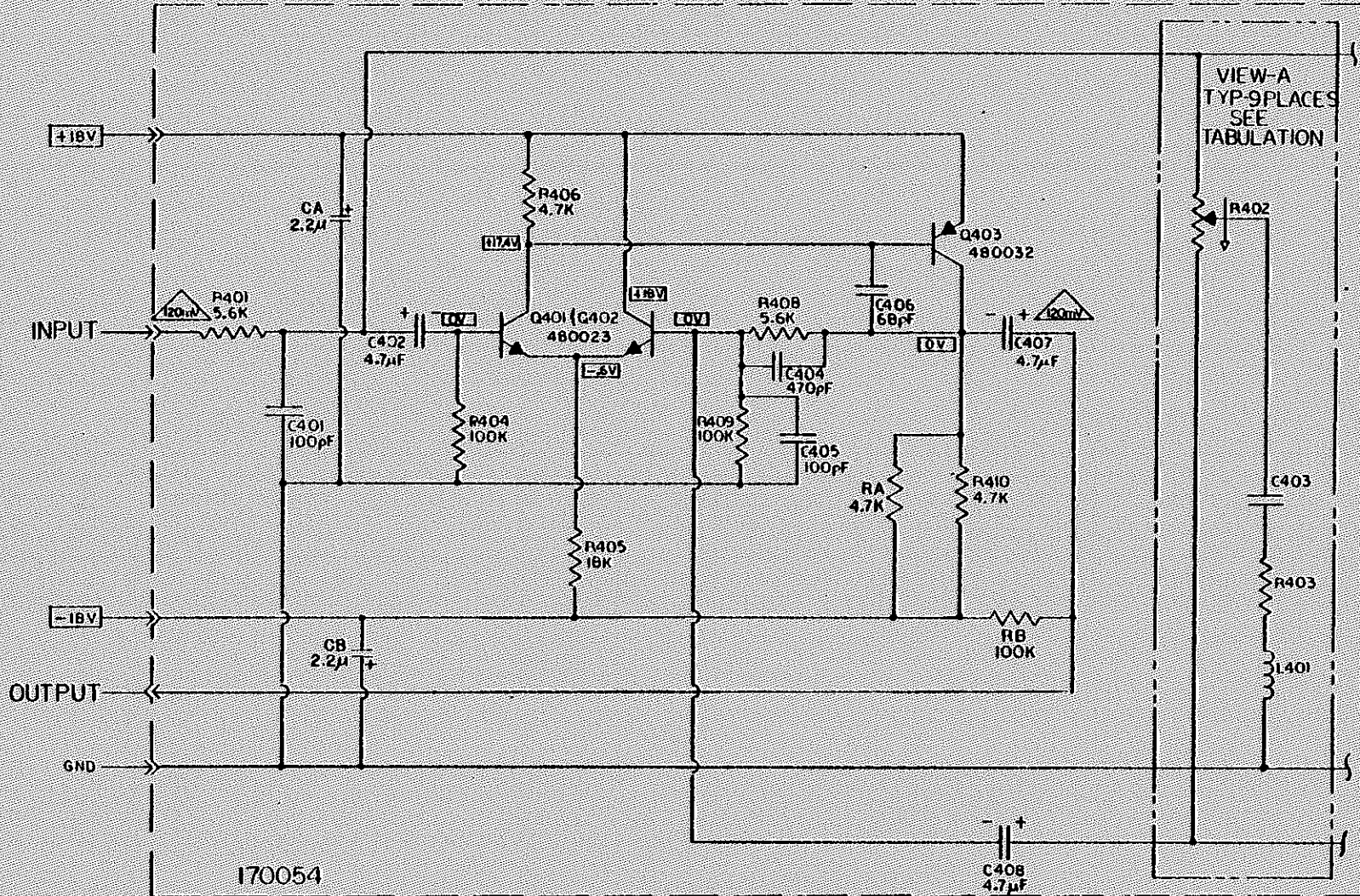
**NOTES UNLESS OTHERWISE SPECIFIED**

- 1 ALL RESISTORS ARE IN OHMS 1/2W 5%
- 2 ALL CAPACITORS ARE IN MFDS
- 3 LAST R, C B Q DESIGNATIONS - R631, C621, Q609
- 4 ALL VOLTAGE REF FROM GROUND
- = DC VOLTS USING VTVM NO SIGNAL APPLIED
- △ = AC VOLTS (USING ACVTVM 1KHZ SIGNAL)
- 5 NOTE + & - VOLTAGES ARE NOT VOLTAGE REGULATED BUT SMOOTHING FILTERS HUM & NOISE AT + OR - SUPPLY IS TYP 50 → 100M VOLTS
- 6 REF SUB ASSY P/N B30010

A R62B WAS 2.2K - SCH. UPDATED		9/8/76	
BY	DATE	<b>acoustic control corp</b> van nuys, california 91408	
DRAWN <i>McLous</i>	6-1-76		
CHECKED			
APPROVED <i>[Signature]</i>		TITLE MODEL 500 170073	
PROPRIETARY INFORMATION ALL INFORMATION CONTAINED IN THIS DOCUMENT IS THE PROPERTY OF acoustic control corp. AND IS NOT TO BE DISCLOSED OR EMPLOYED IN ANY WAY WITHOUT SPECIFIC APPROVAL FROM acoustic control corp.			
SIZE	DRAWING NO.	REV	
0	CODE 3 PART NO. 1534	A	
SCALE: NONE		DO NOT SCALE THIS PRINT	



GRAPHIC AMP GAIN IX

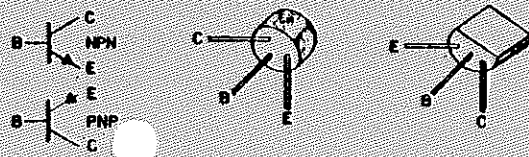


1 OF 3

TABULATION

PT. NO.	40HZ	80HZ	160HZ	320HZ	640HZ	1280HZ	2560HZ	5120HZ	10240HZ
R402	50K	50K	50K	50K	50K	50K	50K	50K	50K
R403	330Ω	270Ω	390Ω	470Ω	560Ω	560Ω	470Ω	680Ω	330Ω
C403	22µF	2.2µF	1µF	39µF	18µF	1µF	0.027µF	0.012µF	0.0027µF
L401	6HY	3HY	1.5HY	750mHY	375mHY	187mHY	187mHY	93mHY	93mHY
	007	006	002	005	004	003	003	012	012

- 8 REF SUB ASSY P/N B30011
  - 7 RA & RB ARE USED IN SOME PRODUCTS
  - 6 CA & CB ARE ON SOME SUB ASSY IN A PRODUCT
  - 5 = AC VOLTS FROM GND USING AC VTVM
  - 4 = DC VOLTS FROM GND USING VTVM
  - 3 INDICATES LAST THREE DIGITS OF ACOUSTIC PART NO. 180----
  - 2 ALL CAPACITORS ARE IN MFD
  - 1 ALL RESISTORS ARE IN OHMS, 5%, 1/2W
- ES (UNLESS OTHERWISE SPECIFIED)



CHG DWG NO. REMOVE R407  
ADD NOTE 6, 7, 8 AND RA/RB/CA/B 4-12-76 JMA

SCALE: NONE APPROVED BY: [Signature] DRAWN BY: [Signature]

DATE: 5-29-74 REVISION: 2-19-75

GRAPHIC EQ SCHEMATIC

ACOUSTIC CONTROL CORP. DRAWING NUMBER: C1514 B