

• (24, R15) REMOVED AFTER SERIAL NO. 72701050

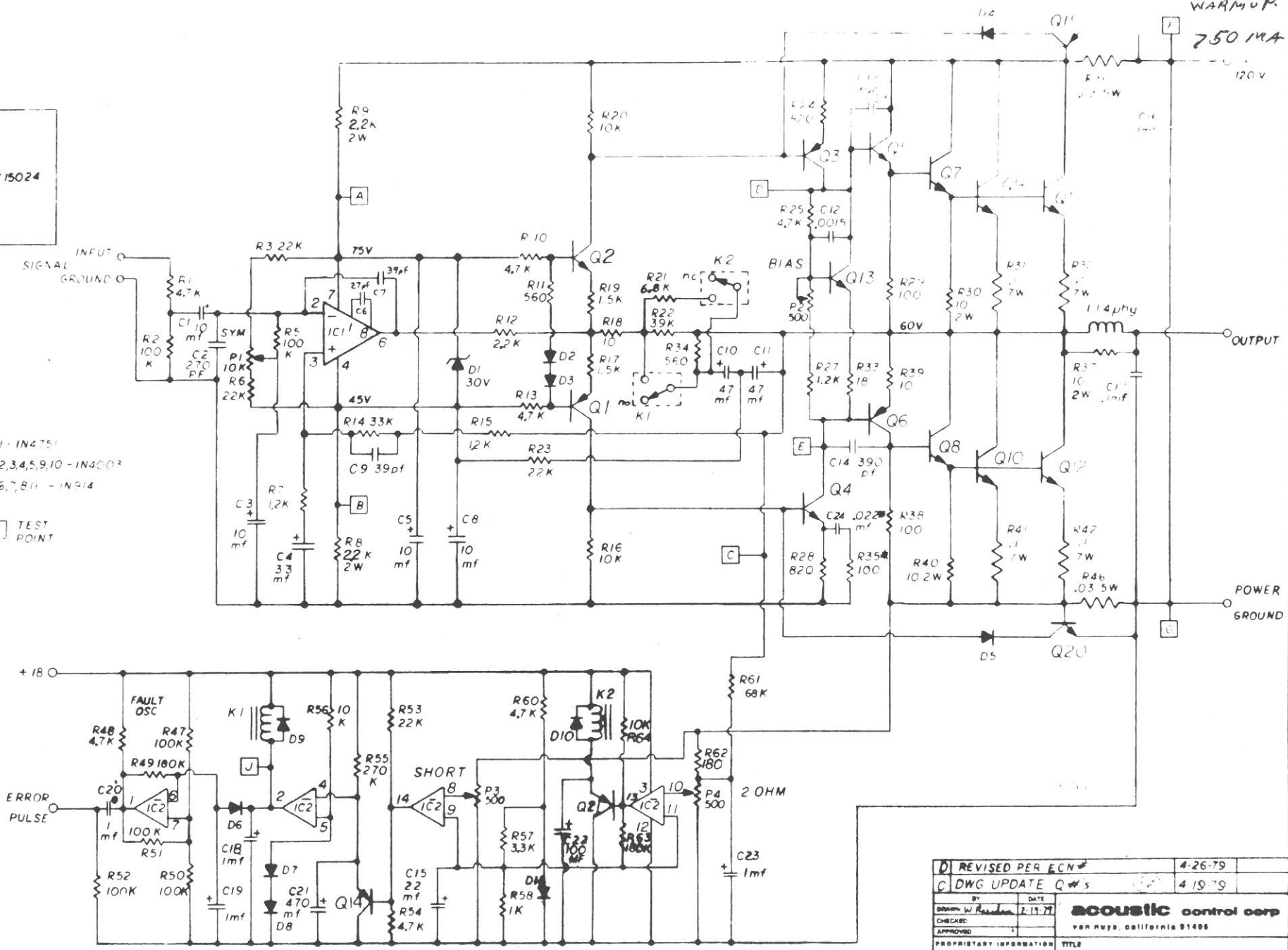
LAST COMPONENT DESIGNATION
 L1
 C11
 C23
 R64
 P4
 Q21
 R2

Q1,3 - 2N5416
 Q2,4 - 2N3440
 Q5 - 2N3584
 Q6 - 2N6211
 Q7,8,9,10,11,12 - MJ15024
 Q13 - 2N6474
 Q14,21 - 2N4248
 Q19 - MPS A56
 Q20 - MPS A05

D1 - IN4751
 D2,3,4,5,9,10 - IN4007
 D6,7,8,11 - IN914

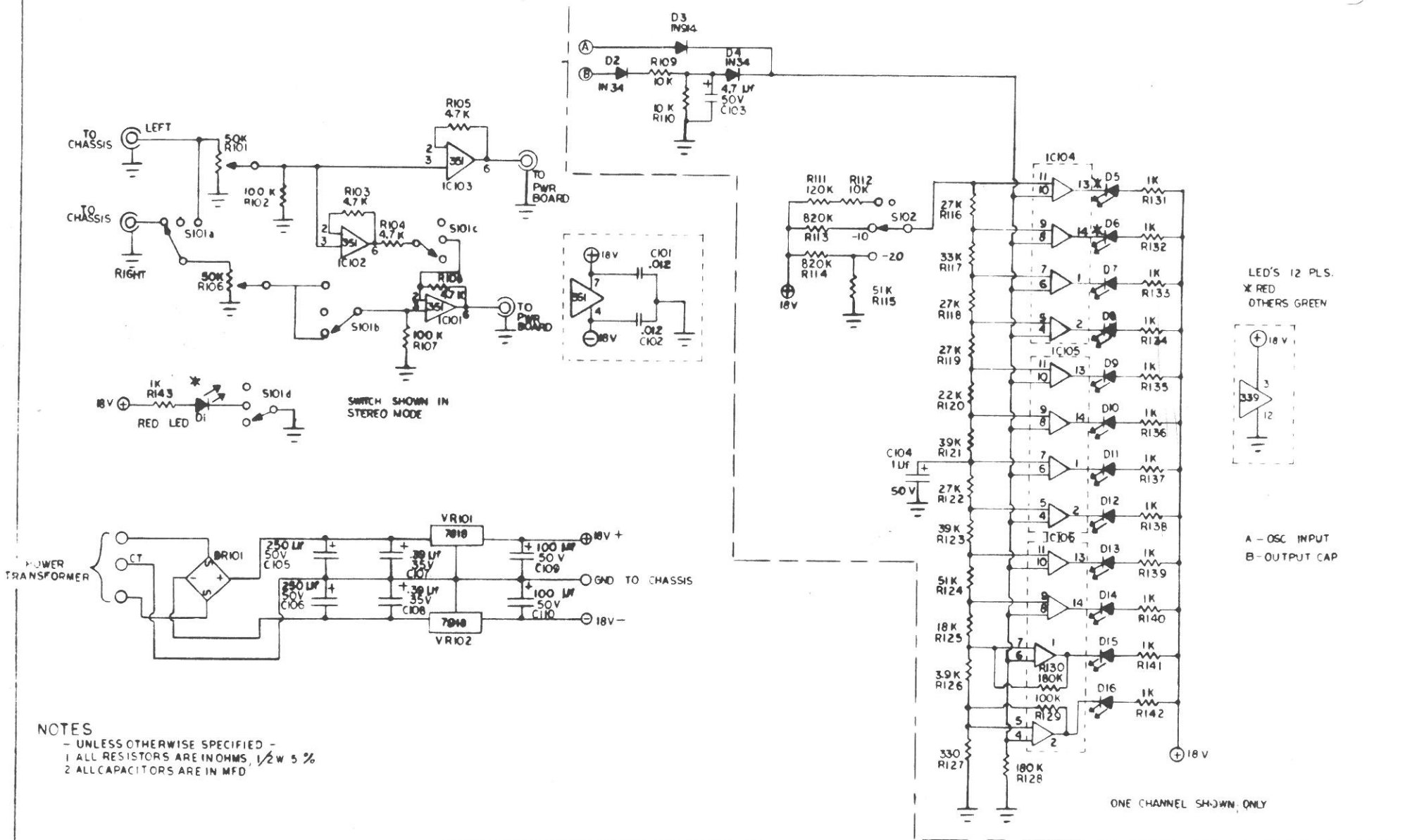
TEST POINT

AFTER WARMUP
 750 MA
 120 V



D1 REVISED PER ECN#		4-26-79
C1 DWG UPDATE Q#s		4 19 '79
BY	DATE	
BRANN, W. R.	2-19-77	
CHECKED	acoustic control corp	
APPROVED	VAN NUYS, CALIFORNIA 91406	
PROPRIETARY INFORMATION		
ALL INFORMATION CONTAINED IN THIS DOCUMENT IS THE PROPERTY OF ACOUSTIC CONTROL CORP. AND IS NOT TO BE DIVULGED OR REPRODUCED IN ANY MANNER WITHOUT SPECIFIC APPROVAL FROM ACOUSTIC CONTROL CORP.		
TITLE		
727 POWER AMP BRD		
REV	DRAWING NO	REV
C	1682	D
DO NOT SCALE THIS PRINT		

MC7818CT MC7918CT



NOTES
 - UNLESS OTHERWISE SPECIFIED -
 1 ALL RESISTORS ARE IN OHMS, 1/2W 5 %
 2 ALL CAPACITORS ARE IN MFD

REFERENCE DESIGNATION	
LAST	NOT USED
R143	
IC106	
VR102	
D16	
C110	
BR101	
SIC2	

A REVISED PER ECN # 2032 5-3-79

REVISED 1-30-79 <i>W. Rand</i>	
PC170090	DWG CI682 POWER AMP
UNLESS OTHERWISE SPECIFIED DIMENSIONS ARE IN INCHES TOLERANCES ARE	
FRACTIONS	ANGLES
DECIMALS	HOLES
MATERIAL	
PRE-FINISH	
FINISH	
NUMBER	TITLE
RELATED DOCUMENTS	

BY	DATE
DRAWN N. NOSANOV	1-11-79
CHECKED <i>W. Rand</i>	1-11-79
APPROVED <i>W. Rand</i>	1-11-79
PROPRIETARY INFORMATION	
ALL INFORMATION CONTAINED IN THIS DOCUMENT IS THE PROPERTY OF acoustic control corp. AND IS NOT TO BE DIVULGED OR EMPLOYED IN ANY WAY WITHOUT SPECIFIC APPROVAL FROM acoustic control corp.	

TITLE	SCHEMATIC LIGHT BAR PANEL PCB MODEL 727 o 170092		
SIZE	DRAWING NO	PART NO	REV
C	CODE 3	1708	A
SCALE --- DO NOT SCALE THIS PRINT			

acoustic control corp
 van nuys, california 91408