

SERVICE MANUAL

**acoustic**

**G120-112**

*Same as G120-212*

**acoustic control corporation**

7949 WOODLEY AVENUE  
VAN NUYS, CA 91406  
(213) 997-6631

G120-112

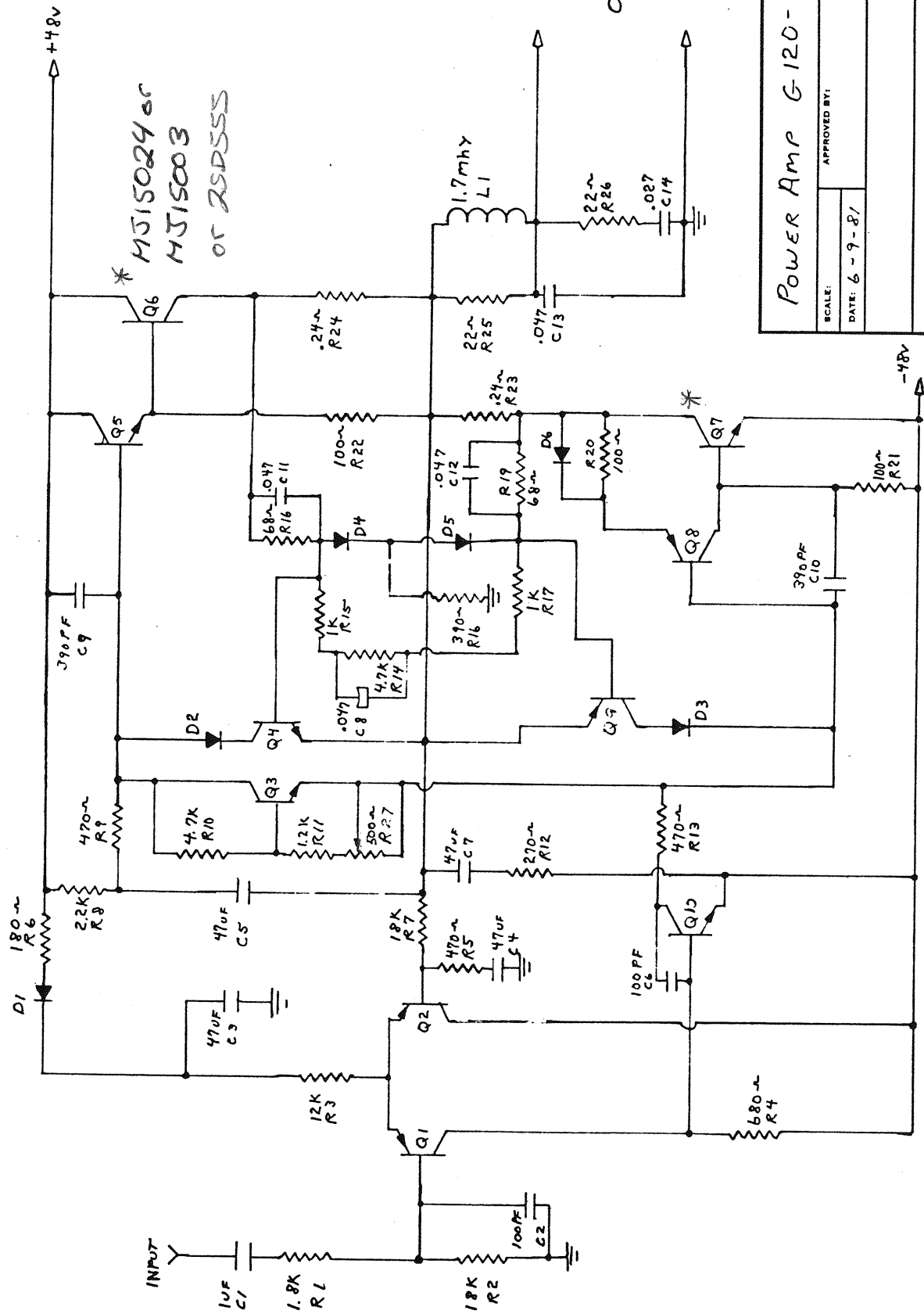
I. GENERAL INFORMATION

B. Specifications

1. Power Output -- 120 Watts RMS @ 5% THD into 4 ohms
2. Sensitivity @ 1KHZ for full output
  - Volume One Mode -- approximately 40 mv
  - Volume Two Mode -- approximately 1.5 mv
  - Power Amp In -- approximately 600 mv
3. Signal to Noise Ratio
  - Volume One Mode -- approximately 60db
  - Volume Two Mode -- approximately 50db







SCALE:		APPROVED BY:
DATE: 6-9-81		DRAWN BY: CES
		REVISED:
Power Amp G-120-12 A 2/2		
		DRAWING NUMBER