

acoustic

G60T-112

*Same as G60T
w/o speaker*

acoustic control corporation

7949 WOODLEY AVENUE
VAN NUYS, CA 91406
(213) 997-6631

G60T-112

1. General Information

B. Specifications

1. Power Output 60 watts RMS at 5% THD into 4/8 ohms.

2. Input jacks	Sensitivity for full output	Input Impedance
Volume 1, Hi-mode	45 MV	1 meg ohms
Volume 1, Low-mode	90 MV	30 K ohms
Volume 2, Hi-mode	1 MV	1 meg ohms
Volume 2, Low-mode	2 MV	30 K ohms

3. Output jacks	Level	Output Impedance
Preamp	2.0 V	50 K ohms
Speaker	60 watts RMS	4/8 ohms

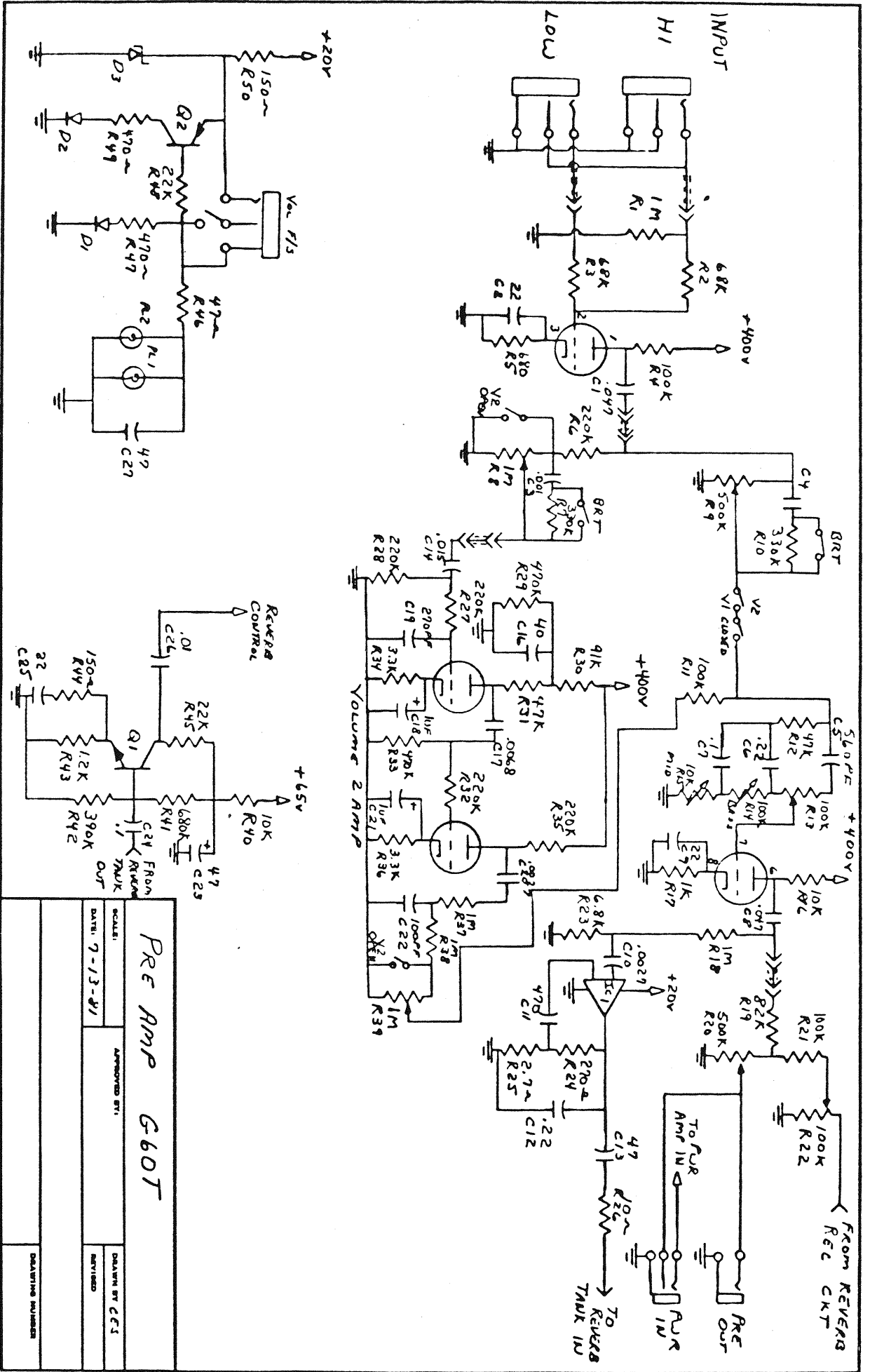
3. Signal to Noise Ratio	Below Rated Output
Volume 1 and 2 controls, fully clockwise	-68 db in Volume 1 mode
Master Volume Control, fully clockwise	-50 db in Volume 2 mode

Tone controls at mid position (12 o'clock)

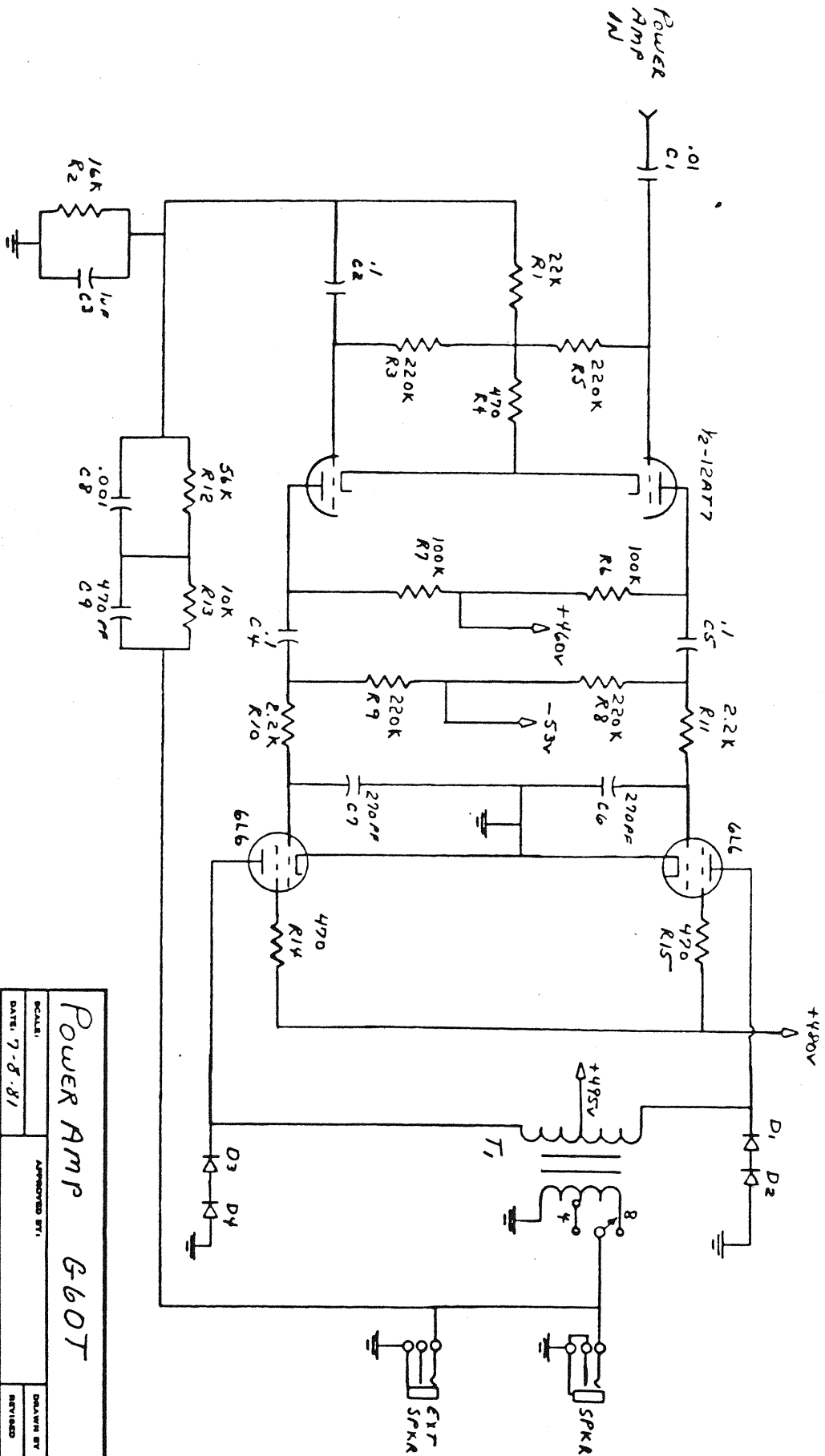
Reverb Off

Master Volume Control

Set at fully counter-clockwise position -86 db in either Volume 1 or Volume 2 mode.



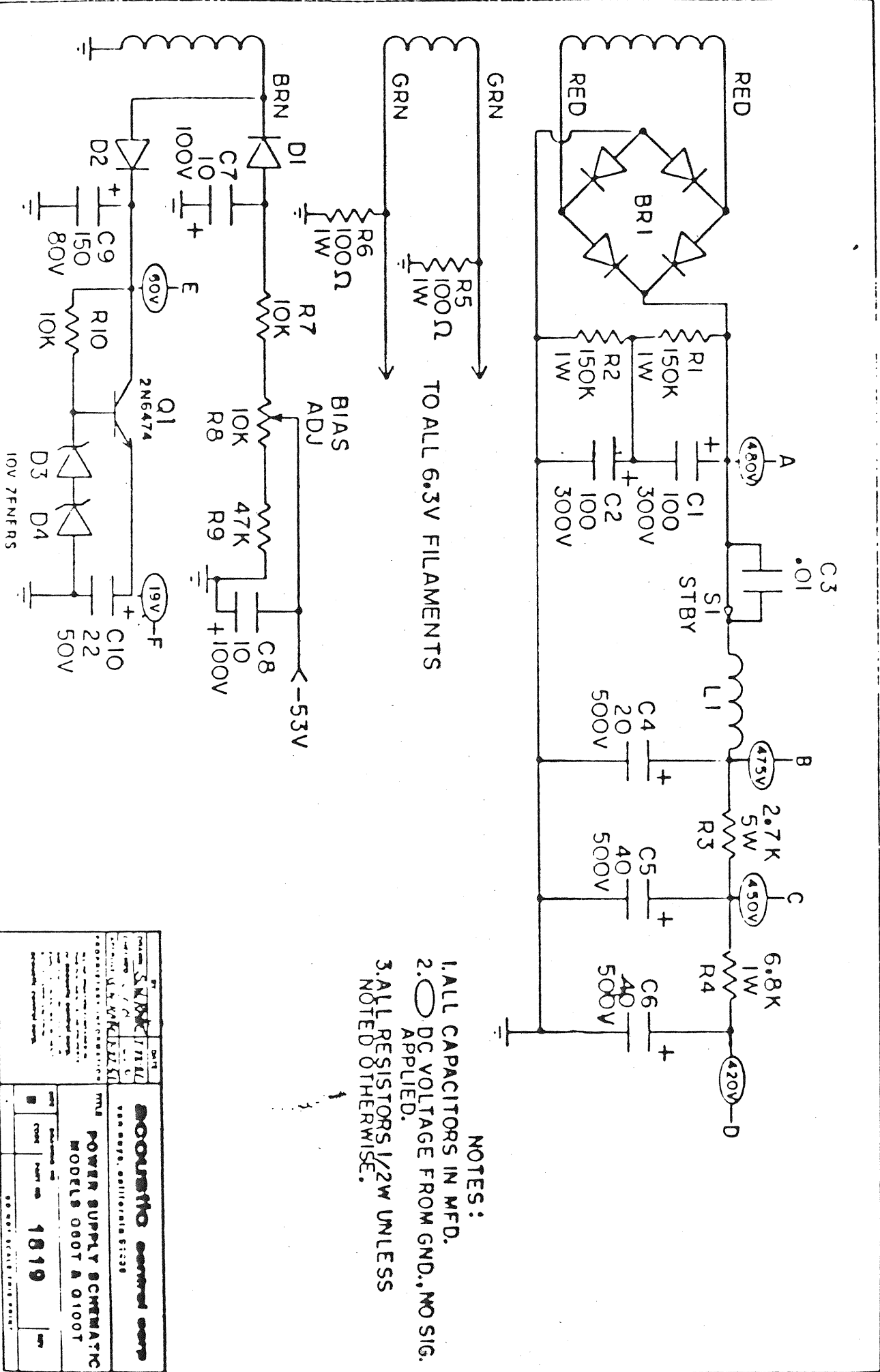
PRE AMP G60T	
SCALE:	APPROVED BY:
DATE: 7-13-51	DESIGNED BY: CCJ
	REVISION:
	DESIGN NUMBER:



Power Amp G60T

SCALE: APPROVED BY: DATE: 7-8-81 DRAWN BY: CE5 REVISED:

REVISION NUMBER	



TO ALL 6.3V FILAMENTS

- NOTES:
1. ALL CAPACITORS IN MFD.
 2. ○ DC VOLTAGE FROM GND. NO SIG. APPLIED.
 3. ALL RESISTORS 1/2W UNLESS NOTED OTHERWISE.

Part No.	Rev.	Date
3KMK	1/1/61	
POWER SUPPLY SCHEMATIC MODELS 060T & 0100T		
Part No.	Rev.	Date
1819		