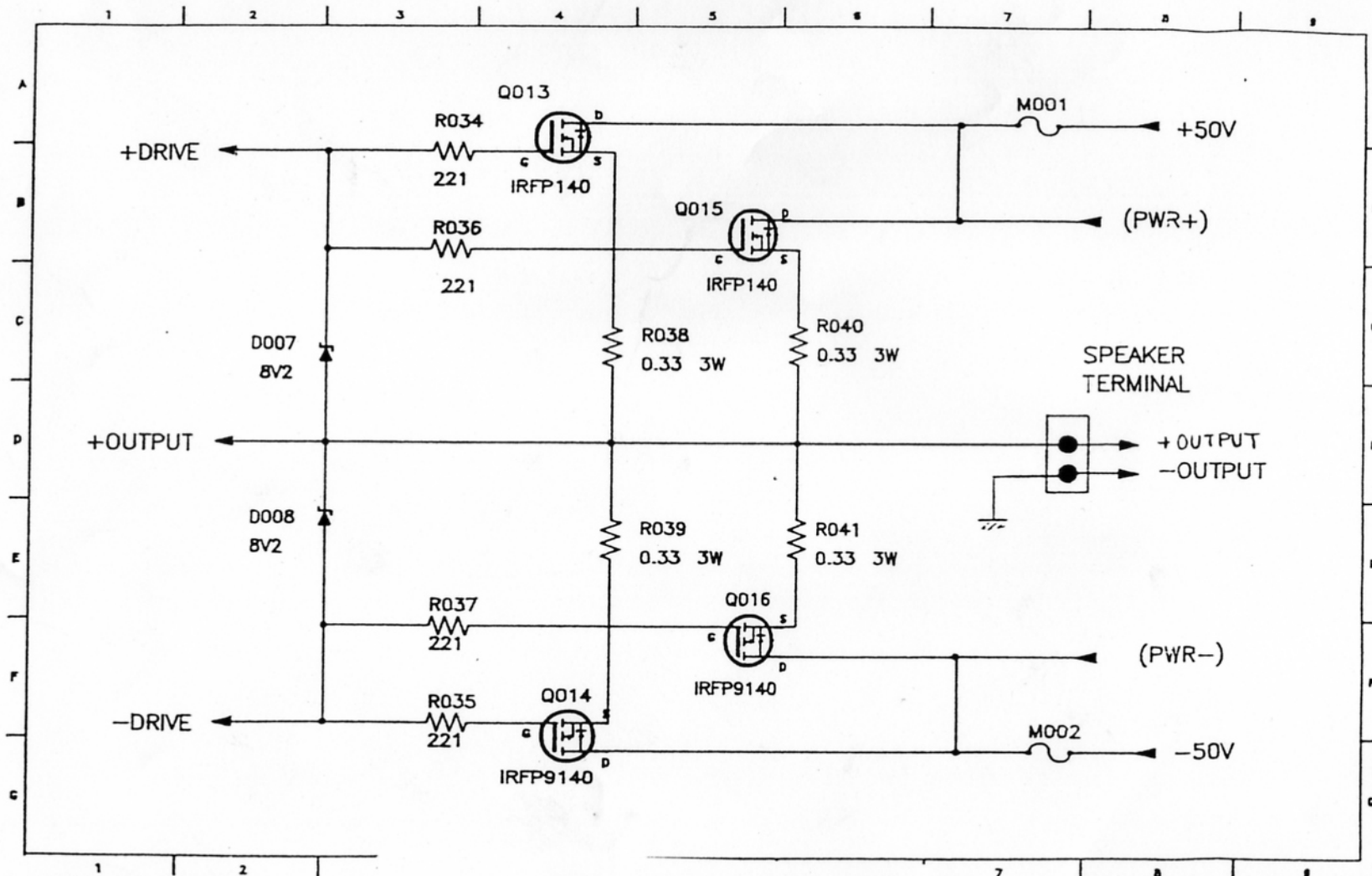


GFA-5300

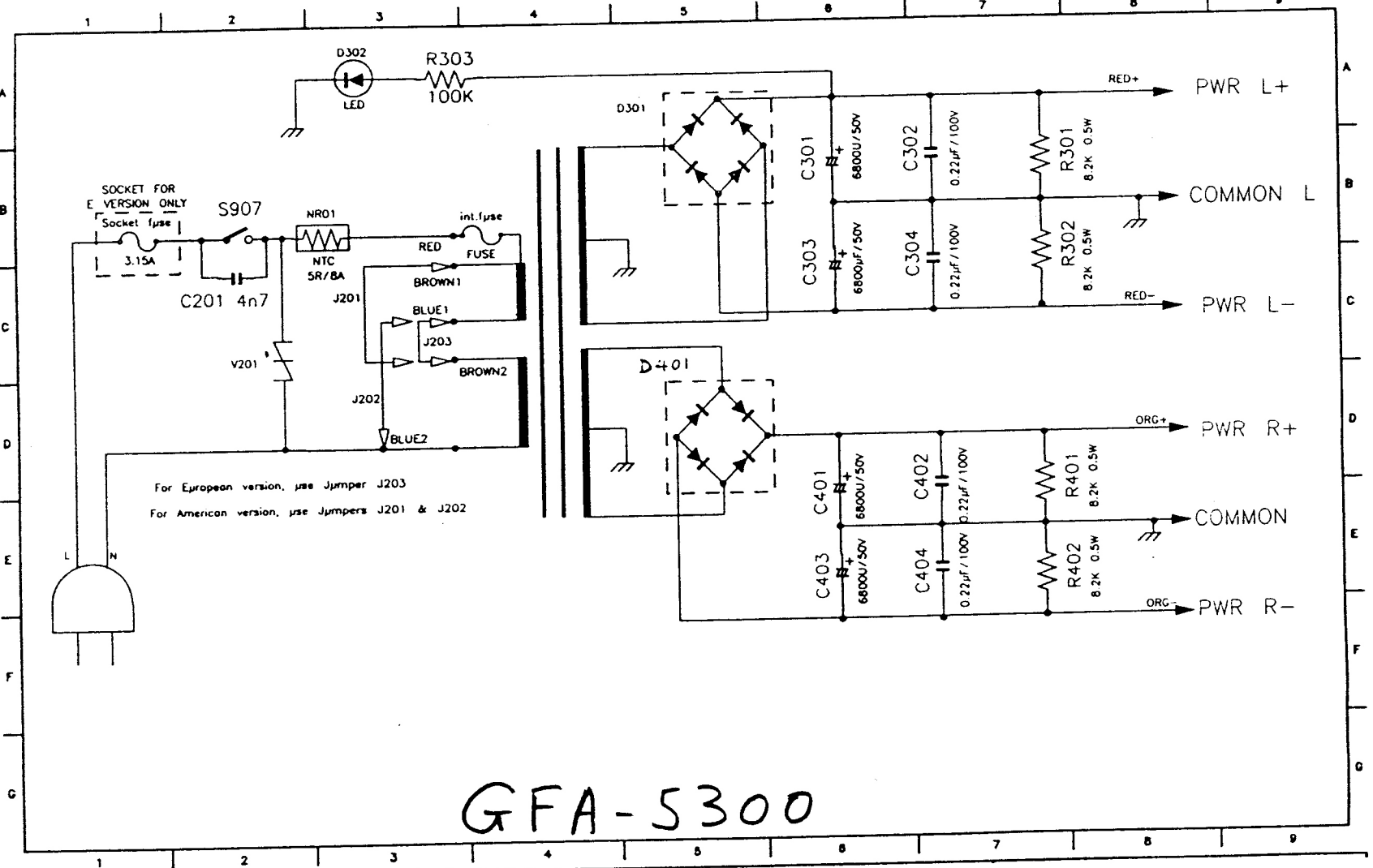


REVISEMENTS	ISS	DESCRIPTION
	A	FIRST ISSUE

ADCOM®

11 Elkins Road • East Brunswick, NJ 08816 • U.S.A.

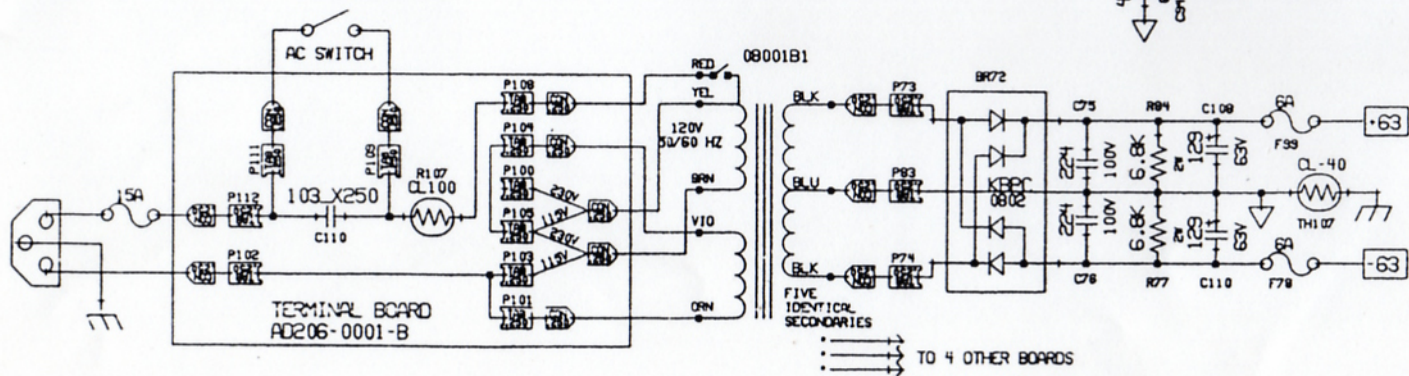
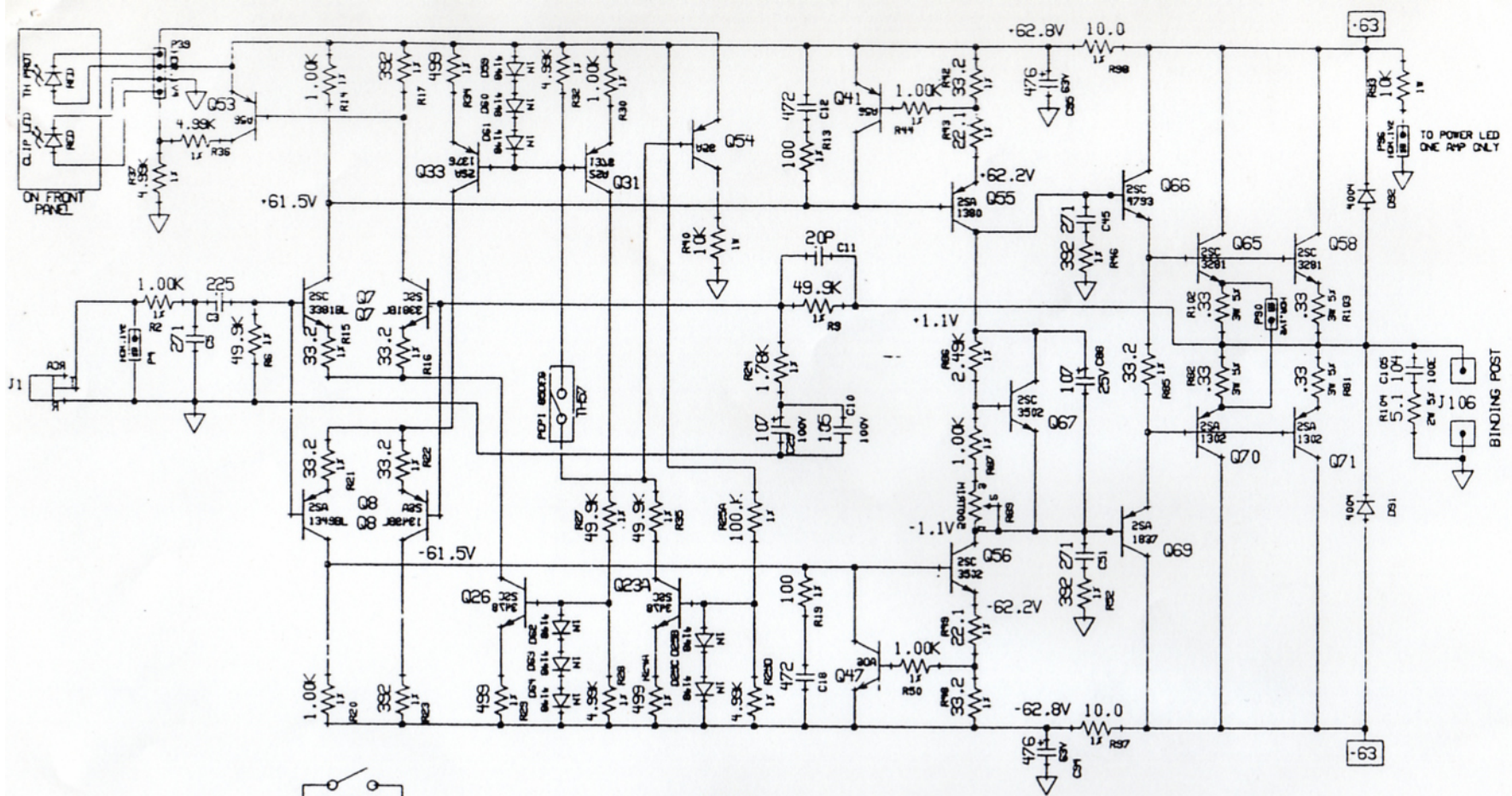
FILE	OUTPUT-CHANNEL	DRN	DICE
MODEL	GFA5300	CHK	BOX
DOC. NO.	AD11DC-SCH01	APP	BOX
<A>	<A>	<A>	<A>
			



GFA-5300

ADCOM[®]

11 Elkins Road • East Brunswick, NJ 08816 • U.S.A.



ADCOM[®]

11 Elkins Road • East Brunswick, NJ 08816 • U.S.A.

MODEL #:	DATE:	DESCRIPTION:
GFA7000	1-18-96	GFA7000 AMPLIFIER SCHEMATIC
DESIGNED BY:	PART #:	PCO#-DATE:
	406-0000-B	-
		FOR: (COMPANY)
		ADCOM