

6

5

4

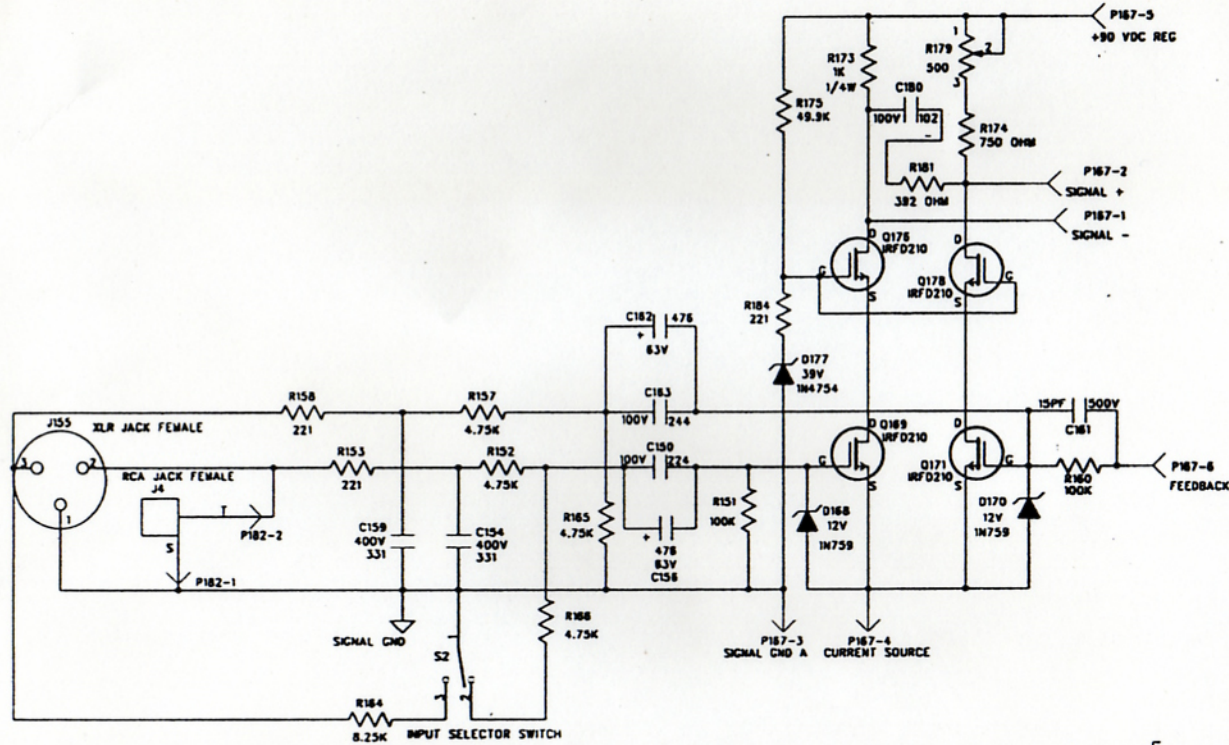
3

2

1

REVISIONS

ZONE	LTR	DESCRIPTION(S)	INIT	DATE



NOTES:

1. ALL RESISTORS ARE 1/4W

UNLESS OTHERWISE
INDICATED DIMENSIONS
SHOWN ARE IN INCHES

TOLERANCES
FRACTION \pm / -
ANGLES \pm / -
XXX \pm / - 0.01
.XXX \pm / - 0.005

APPROVALS

INIT	DATE
DESIGNED: K.R.	02/24/97
DRAWN: T.T.	02/24/97
ELEC:	
MATERIAL:	MECH:
FRSH:	Q/A:
	RELEASED:

TITLE:

ADCOM[®]
SCHEMATIC DRAWING
GFA5802 POWER AMPLIFIER BD.

SIZE	DRAWING NO:	REV.
B	AD406-0003-D	B8
	PART NO:	
	AD206-0003-B8	
	FILENAME:	
	AD60388	
	SCALE: 1/1	
		SHEET 2 OF 2

6

5

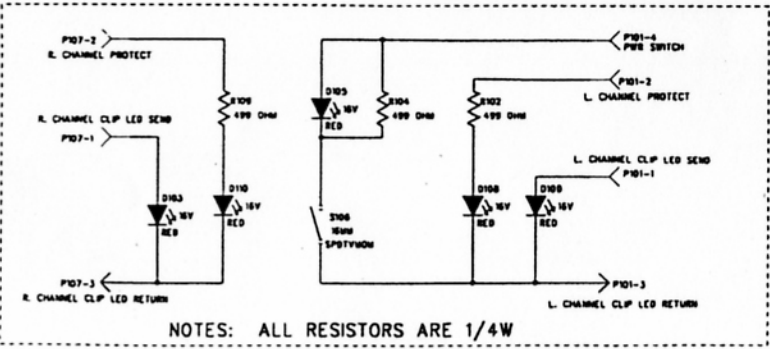
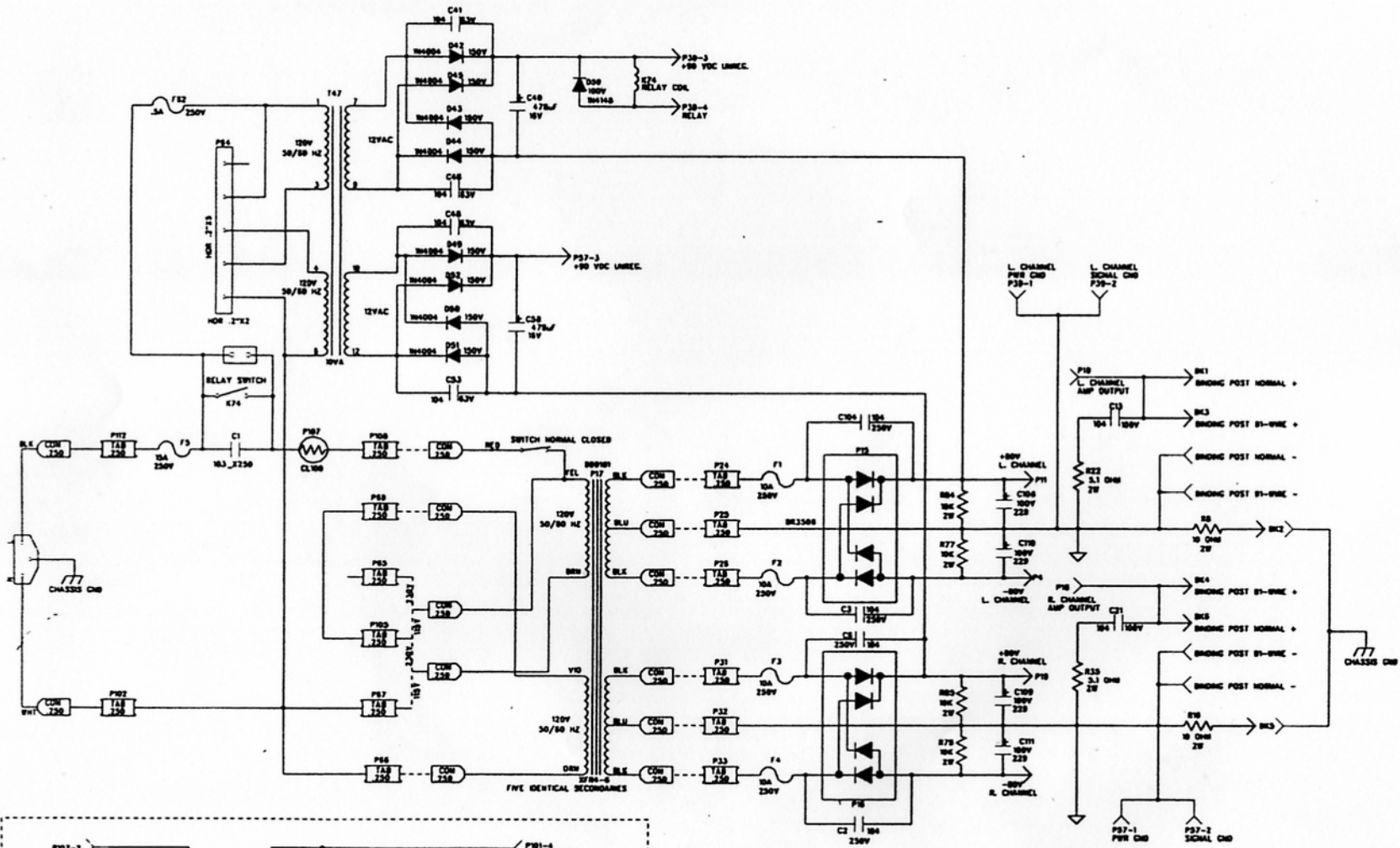
4

3

2

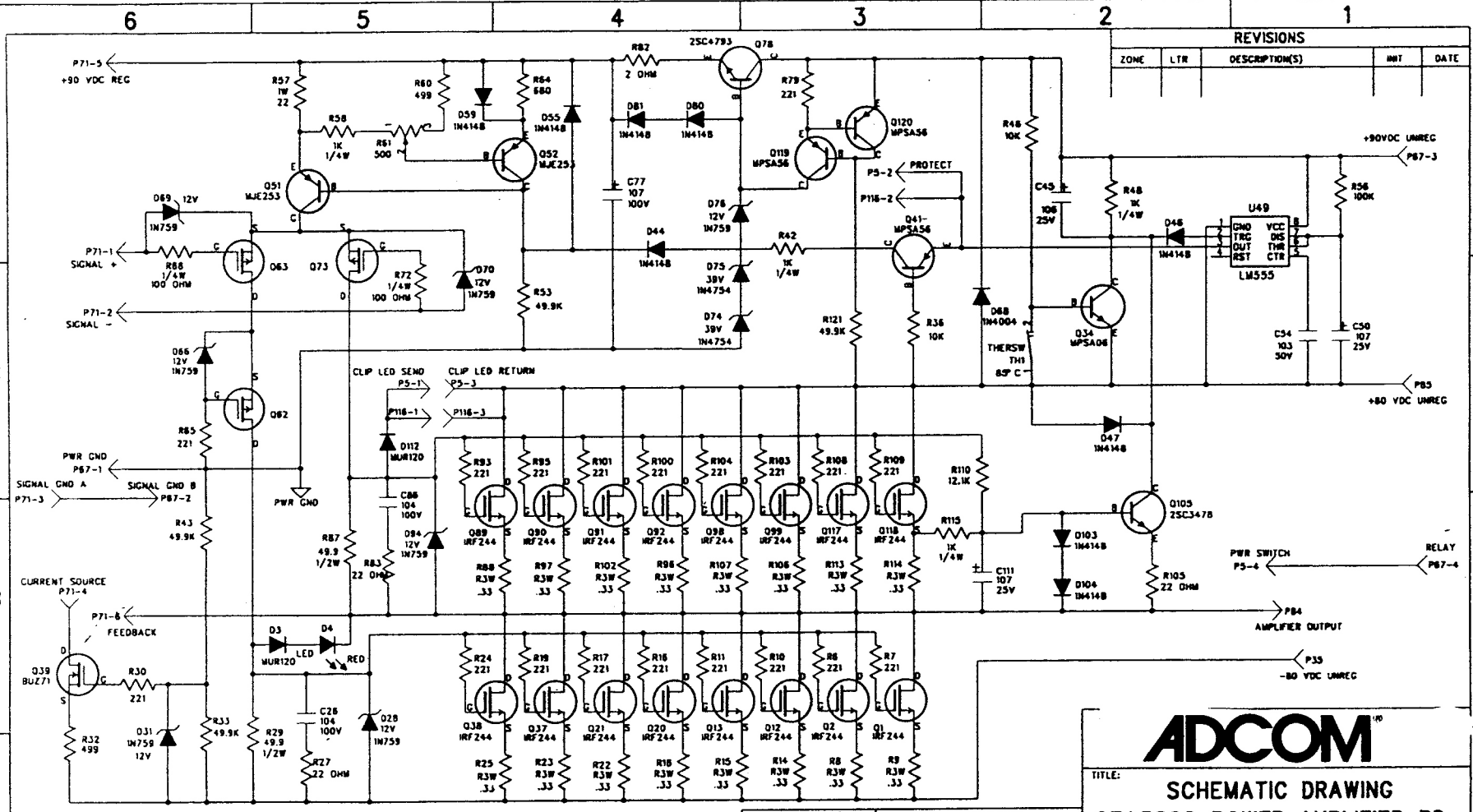
1

REVISIONS				
ZONE	LTR	DESCRIPTION	REV	DATE



NOTES: ALL RESISTORS ARE 1/4W

QTY PER ASSY		PART NUMBER		DESCRIPTION		DESIGNATION(S)		REV	
PROPRIETARY									
THIS DRAWING CONTAINS INFORMATION WHICH IS PROPRIETARY TO CALLER TECHNOLOGY CORPORATION. DO NOT REPRODUCE IN ANY FORM OR DISTRIBUTION IN ANY MANNER WITHOUT THE EXPRESS WRITTEN PERMISSION OF CALLER TECHNOLOGY CORPORATION.									
ADCOM									
SCHEMATIC DRAWING									
GFA5802 POWER SUPPLY									
TOLERANCES FRACTION +/- ANGLES +/- XXX +/- 0.01 XXX +/- 0.005		APPROVALS		DATE		SIZE		DRAWING NO:	
MATERIAL:		DESIGNED: K.R.		02/27/97		C		AD406-0005-B9	
FINISH:		DRAWN: T.T.		02/27/97		C		REV. B9	
		ELEC:						PART NO: AD206-0005-B9	
		RECR:						FILENAME: AD605B	
		S/A:						SCALE: 1/1	
		RELEASED:						SHEET 1 OF 1	



REVISIONS				
ZONE	LTR	DESCRIPTION(S)	INT	DATE

- NOTES:
1. ALL RESISTORS ARE 1/4W UNLESS SPECIFIED
 2. L. CHANNEL USES P5
 3. R. CHANNEL USES P116
 4. RELAY SIGNAL (P67-4/P5-4) ON L. CHANNEL ONLY

ADCOM[®]

SCHMATIC DRAWING

GFA5802 POWER AMPLIFIER BD.

TOLERANCES FRACTION ±/−		UNLESS OTHERWISE INDICATED DIMENSIONS SHOWN ARE IN INCHES	
ANGLES ±/−	±.01	.XXX ±/− 0.005	
MATERIAL:	MECH:	FNAME: AD603B8	
FINISH:	Q/A:	SCALE: 1/1	SHEET 1 OF 2
RELEASED:			

APPROVALS		SIZE	DRAWING NO:	REV.
DESIGNED: K.R.	DATE: 02/24/97	B	AD406-0003-D	BB
DRAWN: T.T.	DATE: 02/24/97		PART NO: AD206-0003-B8	
ELEC:				