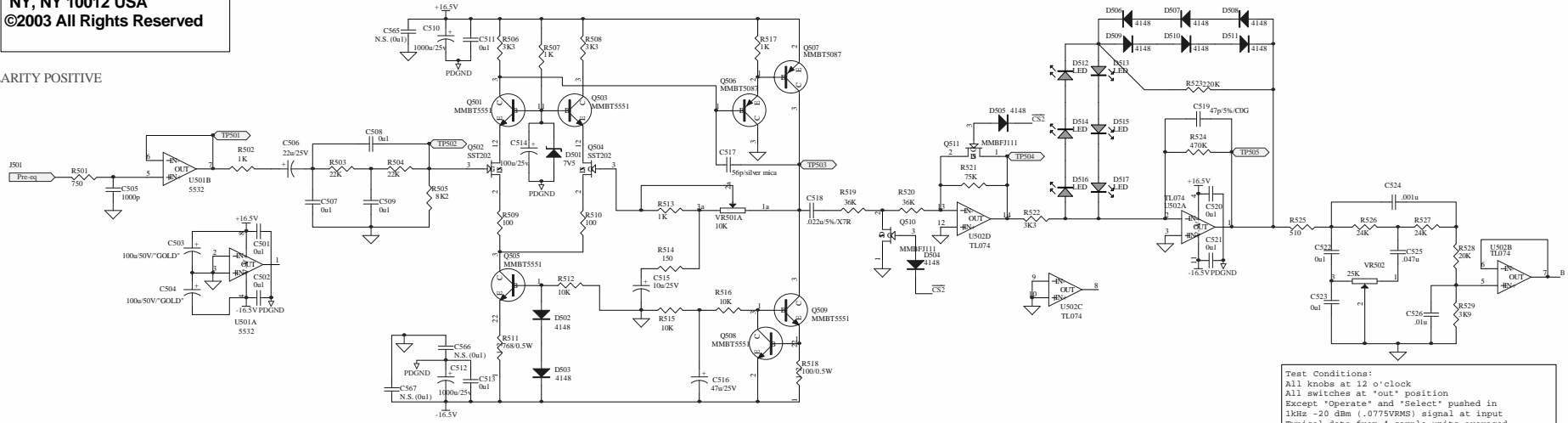


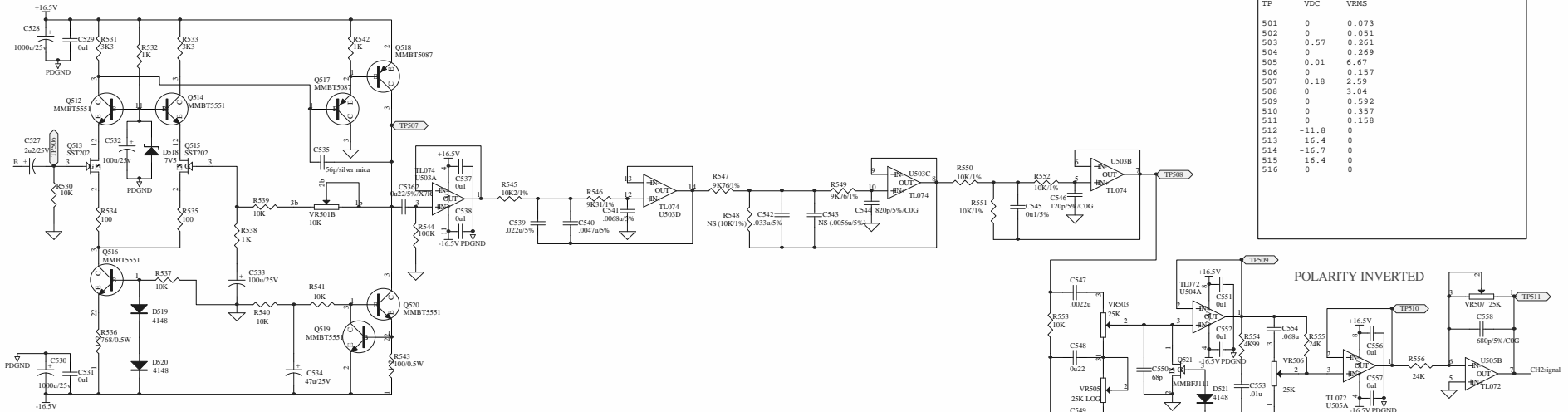
Aguilar Amplification, LLC
599 Broadway FL7
NY, NY 10012 USA
©2003 All Rights Reserved

POLARITY POSITIVE

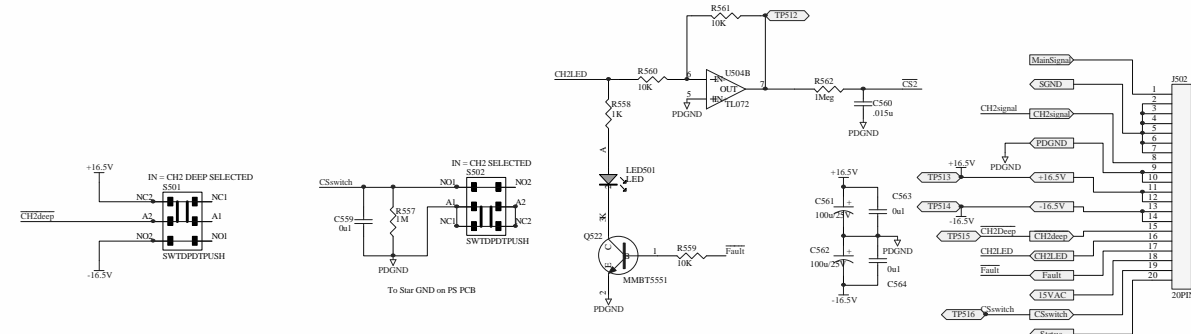


Test Conditions:
 All knobs at 12 o'clock
 All switches at "out" position
 Except "Operate" and "Select" pushed in
 1kHz -20 dBm (.0775VRMS) signal at input
 Typical data from 4 sample units averaged

TP	VDC	VRMS
501	0	0.073
502	0	0.051
503	0.57	0.261
504	0	0.269
505	0.01	6.67
506	0	0.157
507	0.18	2.59
508	0	3.04
509	0	0.592
510	0	0.357
511	0	0.158
512	-11.8	0
513	16.4	0
514	-16.7	0
515	16.4	0
516	0	0



- Notes:
1. All resistors 5% except as specified
 2. All resistors 1/8W 1206 SM except as specified
 3. All capacitors 10% except as specified
 4. All capacitors 50V except as specified
 5. All capacitors ceramic chip 0805 SM except as specified
 6. All ceramic bypass capacitors MONOLITHIC construction
 7. All diodes SM except as specified



Title		
Distortion Preamp 01		
Size	Number	Revision
C		3.3
Date:	4/2/2008	Sheet of
File:	C:\Documents and Settings\JPRFD\2144\Drawn.Dwg	