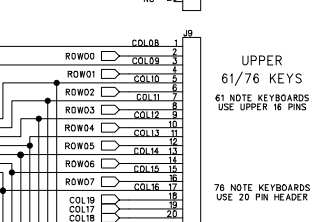
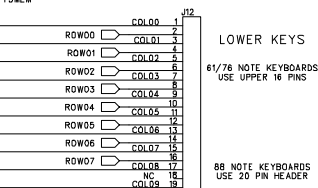


REVISION RECORD			
LTR	ECO NO.	APPROVED:	DATE:
A	Added R104	JY	6/98
B	Battery, BMC. & LCD	DWS	10/98
C	Card power	DWS	3/99



COMPANY: ALESIS CORP.

TITLE: QS6.1/7.1/8.1 MAIN

Q6MNC05A.SCH

DRAWN: C. ASMUS	DATED: 4/17/98	CODE:	SIZE:	DRAWING NO.:	REV.:
CHECKED: DWS	DATED: 2/12/99	C	9-40-1387		C
QUALITY CONTROL:	DATED:				
RELEASED: DWS	DATED:				

SCALE: SHEET: 1 OF 3

6

5

4

3

2

1

REVISION RECORD			
LTR	ECO NO:	APPROVED	DATE:

D

D

C

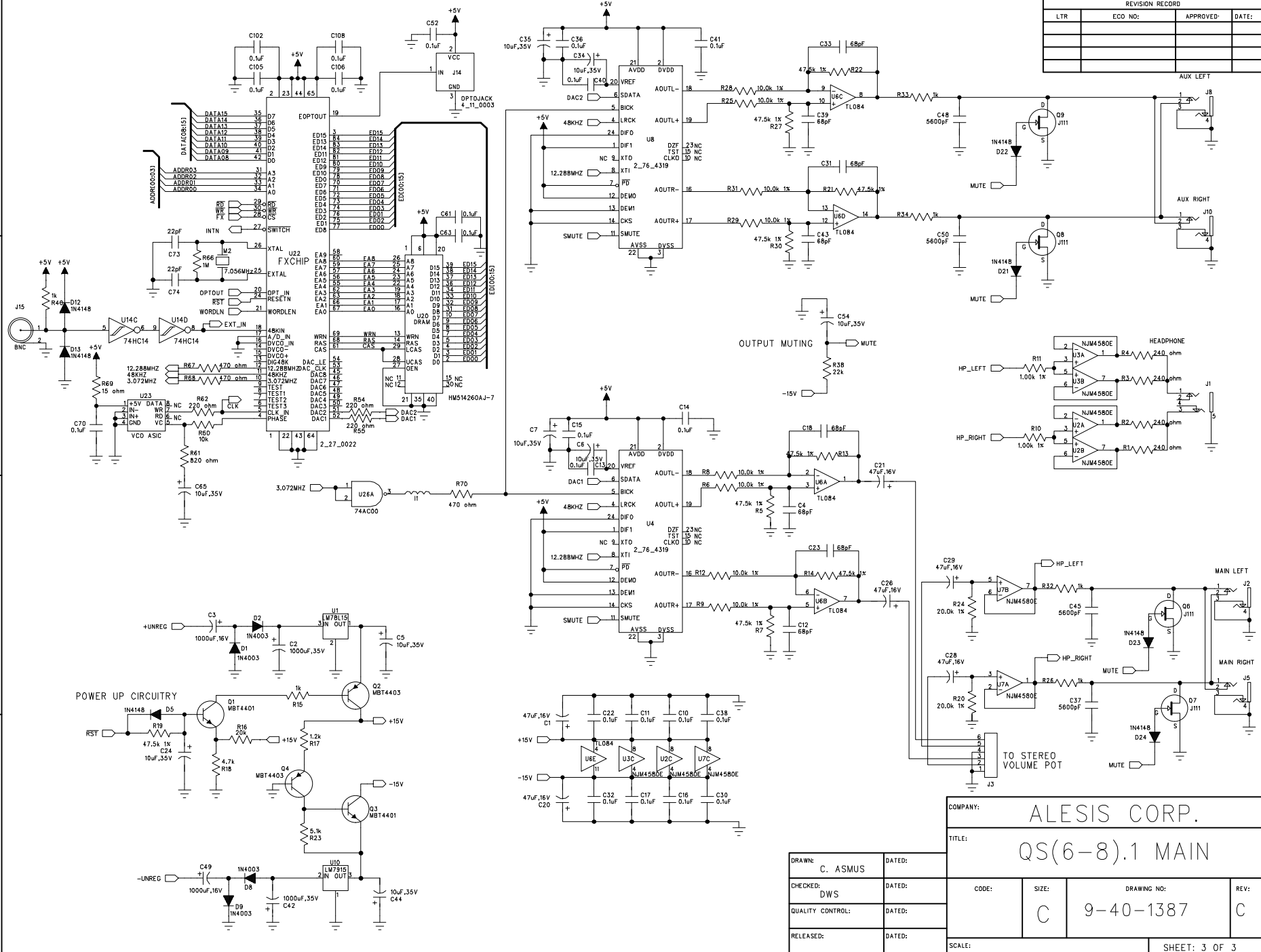
C

B

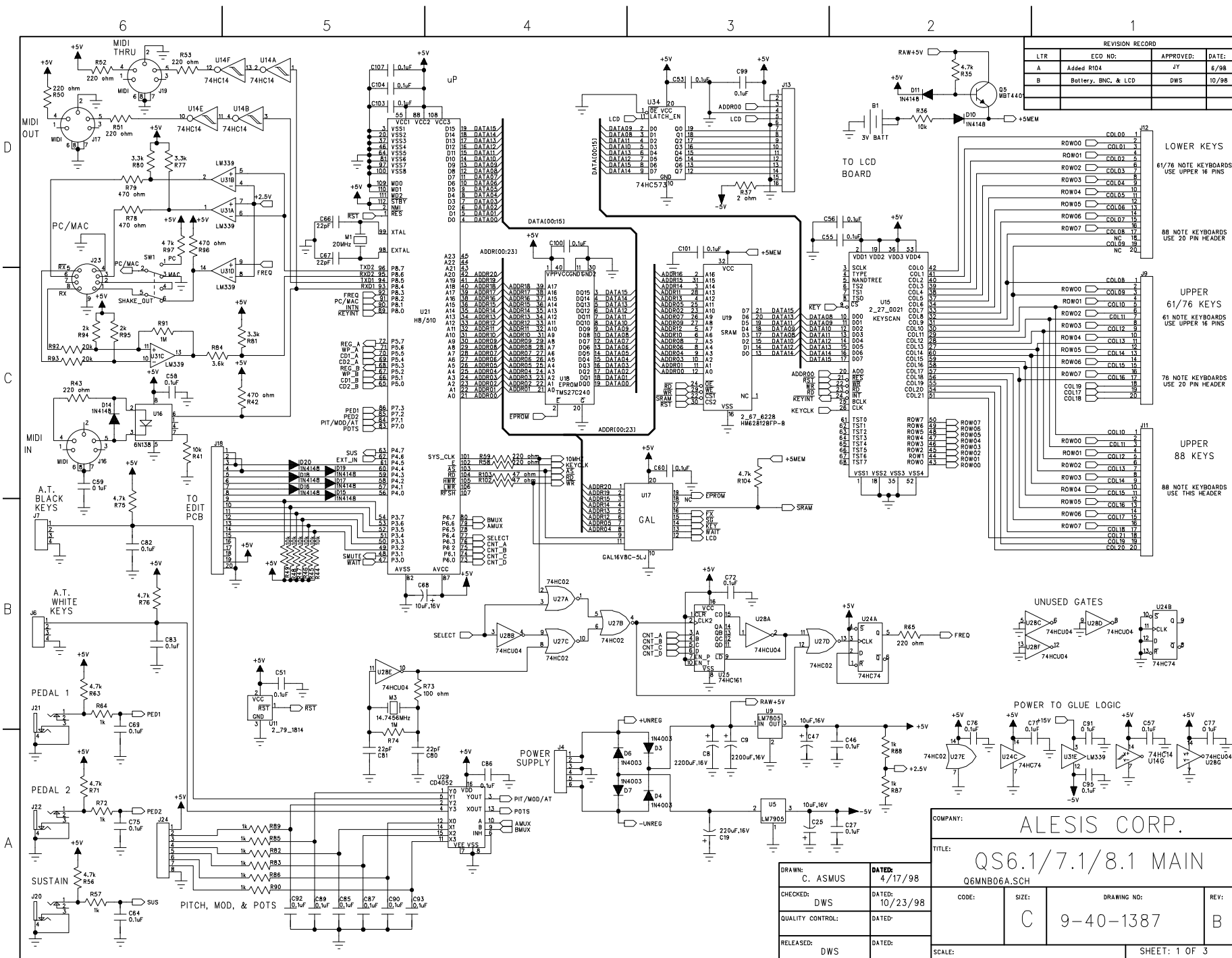
B

A

A



COMPANY: ALESIS CORP.			
TITLE: QS(6-8).1 MAIN			
DRAWN: C. ASMUS	DATED:	CODE:	SIZE:
CHECKED: DWS	DATED:	DRAWING NO: 9-40-1387	REV: C
QUALITY CONTROL:	DATED:	SCALE:	SHEET: 3 OF 3



REVISION RECORD			
LTR	ECO NO.	APPROVED:	DATE:
A	Added R104	JY	6/98
B	Battery, BNC, & LCD	DWS	10/98

ROW	COL
ROW00	COL00
ROW01	COL01
ROW02	COL02
ROW03	COL03
ROW04	COL04
ROW05	COL05
ROW06	COL06
ROW07	COL07
ROW08	COL08
ROW09	COL09
ROW10	COL10
ROW11	COL11
ROW12	COL12
ROW13	COL13
ROW14	COL14
ROW15	COL15
ROW16	COL16
ROW17	COL17
ROW18	COL18
ROW19	COL19
ROW20	COL20

ROW	COL
ROW00	COL00
ROW01	COL01
ROW02	COL02
ROW03	COL03
ROW04	COL04
ROW05	COL05
ROW06	COL06
ROW07	COL07
ROW08	COL08
ROW09	COL09
ROW10	COL10
ROW11	COL11
ROW12	COL12
ROW13	COL13
ROW14	COL14
ROW15	COL15
ROW16	COL16
ROW17	COL17
ROW18	COL18
ROW19	COL19
ROW20	COL20

ROW	COL
ROW00	COL00
ROW01	COL01
ROW02	COL02
ROW03	COL03
ROW04	COL04
ROW05	COL05
ROW06	COL06
ROW07	COL07
ROW08	COL08
ROW09	COL09
ROW10	COL10
ROW11	COL11
ROW12	COL12
ROW13	COL13
ROW14	COL14
ROW15	COL15
ROW16	COL16
ROW17	COL17
ROW18	COL18
ROW19	COL19
ROW20	COL20

ROW	COL
ROW00	COL00
ROW01	COL01
ROW02	COL02
ROW03	COL03
ROW04	COL04
ROW05	COL05
ROW06	COL06
ROW07	COL07
ROW08	COL08
ROW09	COL09
ROW10	COL10
ROW11	COL11
ROW12	COL12
ROW13	COL13
ROW14	COL14
ROW15	COL15
ROW16	COL16
ROW17	COL17
ROW18	COL18
ROW19	COL19
ROW20	COL20

ROW	COL
ROW00	COL00
ROW01	COL01
ROW02	COL02
ROW03	COL03
ROW04	COL04
ROW05	COL05
ROW06	COL06
ROW07	COL07
ROW08	COL08
ROW09	COL09
ROW10	COL10
ROW11	COL11
ROW12	COL12
ROW13	COL13
ROW14	COL14
ROW15	COL15
ROW16	COL16
ROW17	COL17
ROW18	COL18
ROW19	COL19
ROW20	COL20

COMPANY: ALESIS CORP.

TITLE: QS6.1/7.1/8.1 MAIN

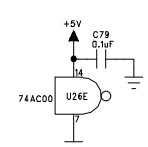
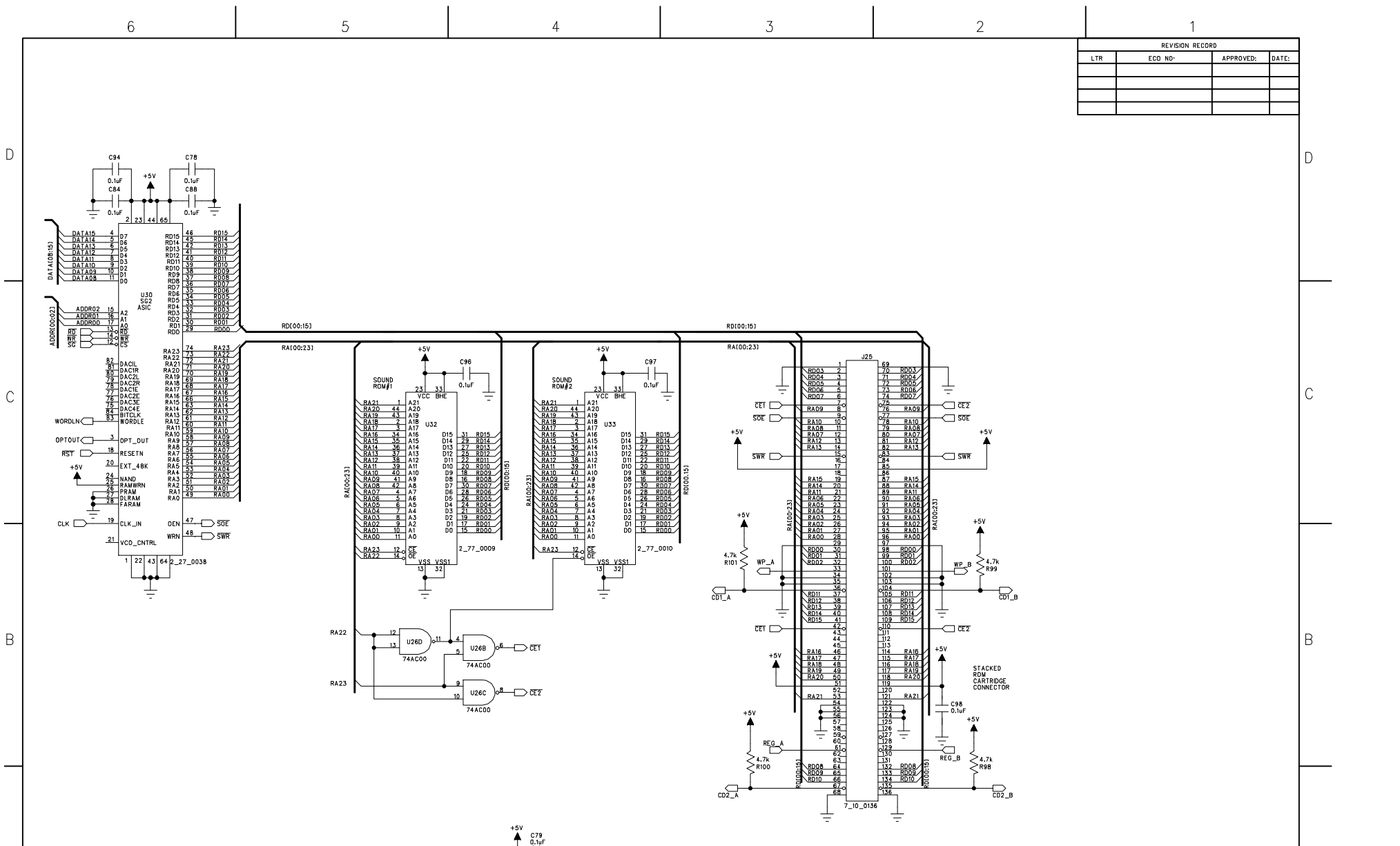
Q6MNB06A.SCH

DRAWN: C. ASMUS	DATED: 4/17/98
CHECKED: DWS	DATED: 10/23/98
QUALITY CONTROL:	DATED:
RELEASED: DWS	DATED:

CODE:	SIZE:	DRAWING NO:	REV:
	C	9-40-1387	B

SCALE: SHEET: 1 OF 3

REVISION RECORD			
LTR	ECD NO.	APPROVED:	DATE:



COMPANY:		ALESIS CORP.			
DRAWN:		C. ASMUS			
CHECKED:		DATED:		REV: B	
QUALITY CONTROL:		DATED:		DRAWING NO: 9-40-1387	
RELEASED:		DATED:		SCALE:	
TITLE:		QS(6-8).1 MAIN			
CODE:		SIZE:		SHEET: 2 OF 3	

6

5

4

3

2

1

REVISION RECORD			
LTR	ECO NO:	APPROVED	DATE:

D

D

C

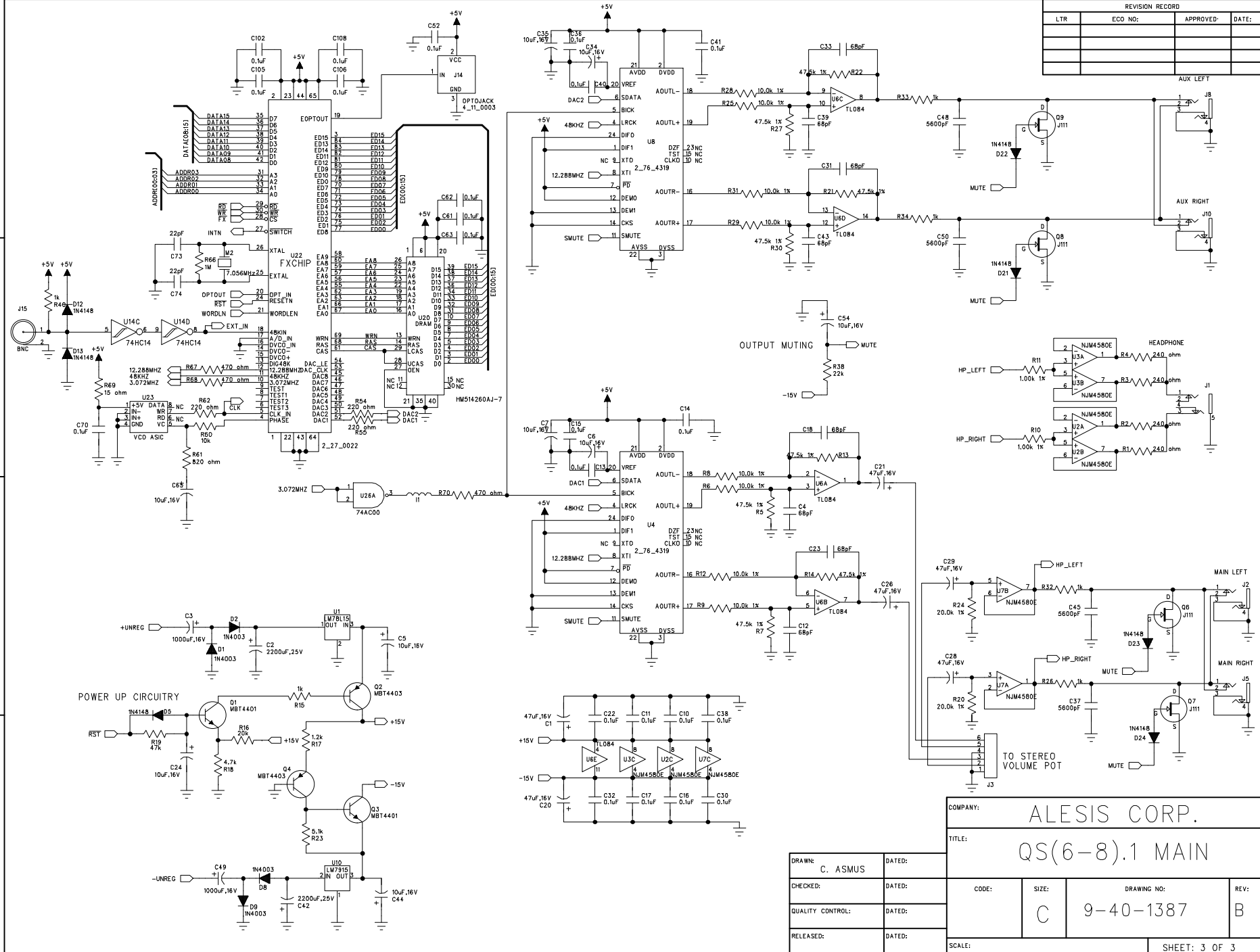
C

B

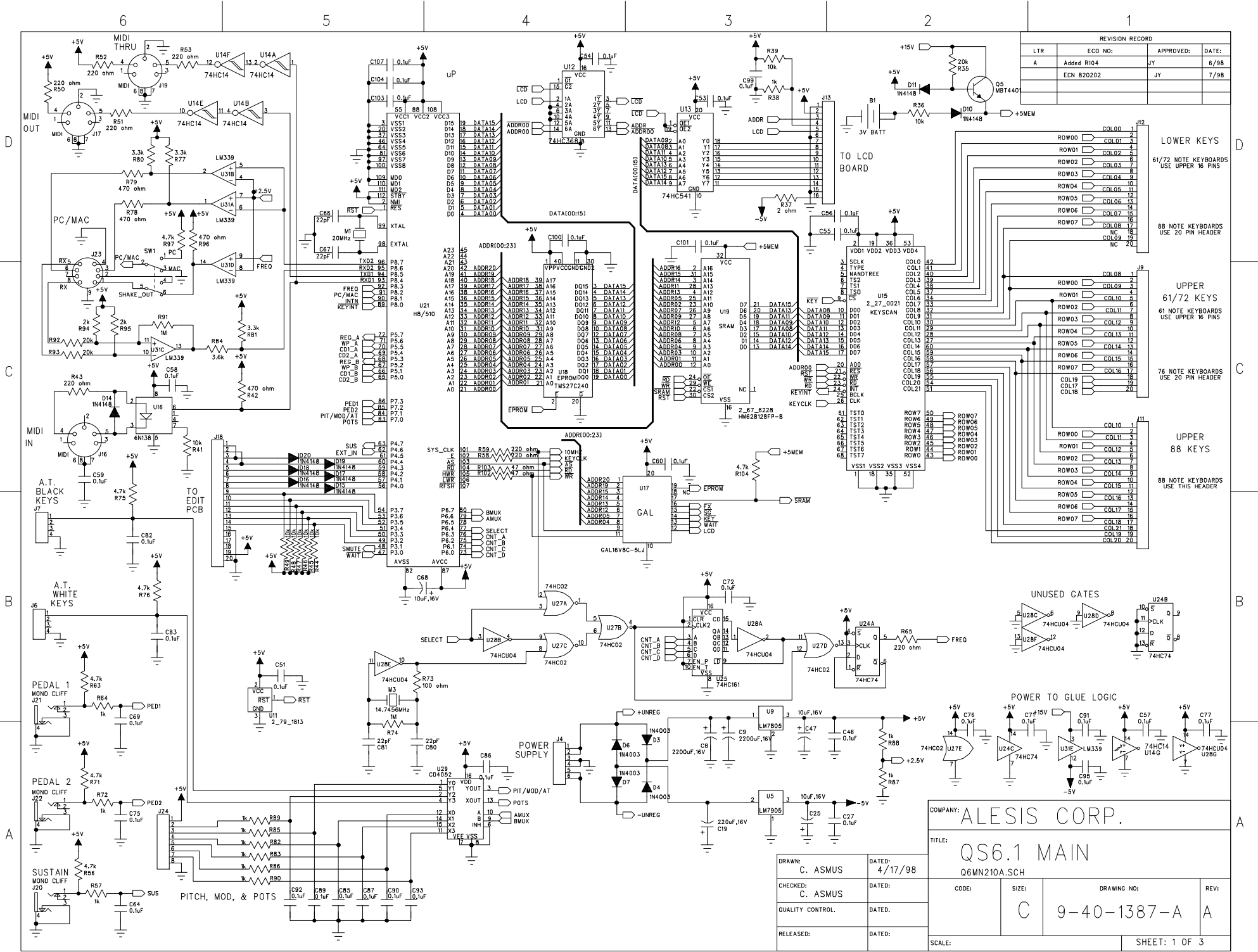
B

A

A



COMPANY: ALESIS CORP.			
TITLE: QS(6-8).1 MAIN			
DRAWN: C. ASMUS	DATED:	CODE:	SIZE: C
CHECKED:	DATED:	DRAWING NO: 9-40-1387	REV: B
QUALITY CONTROL:	DATED:	SCALE:	SHEET: 3 OF 3

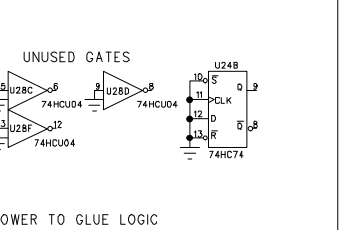


REVISION RECORD			
LTR	ECD NO:	APPROVED:	DATE:
A	Added R104	JY	6/98
	ECN B20202	JY	7/98

ROW	COL	KEY
ROW00	COL01	1
ROW01	COL02	2
ROW02	COL03	3
ROW03	COL04	4
ROW04	COL05	5
ROW05	COL06	6
ROW06	COL07	7
ROW07	COL08	8
ROW08	COL09	9
ROW09	COL10	10
ROW10	COL11	11
ROW11	COL12	12
ROW12	COL13	13
ROW13	COL14	14
ROW14	COL15	15
ROW15	COL16	16
ROW16	COL17	17
ROW17	COL18	18
ROW18	COL19	19
ROW19	COL20	20
ROW20	COL21	21

ROW	COL	KEY
ROW00	COL08	19
ROW01	COL09	20
ROW02	COL10	21
ROW03	COL11	22
ROW04	COL12	23
ROW05	COL13	24
ROW06	COL14	25
ROW07	COL15	26
ROW08	COL16	27
ROW09	COL17	28
ROW10	COL18	29
ROW11	COL19	30
ROW12	COL20	31
ROW13	COL21	32

ROW	COL	KEY
ROW00	COL10	111
ROW01	COL11	112
ROW02	COL12	113
ROW03	COL13	114
ROW04	COL14	115
ROW05	COL15	116
ROW06	COL16	117
ROW07	COL17	118
ROW08	COL18	119
ROW09	COL19	120
ROW10	COL20	121
ROW11	COL21	122



COMPANY: ALESIS CORP.

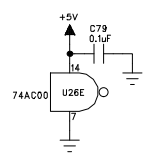
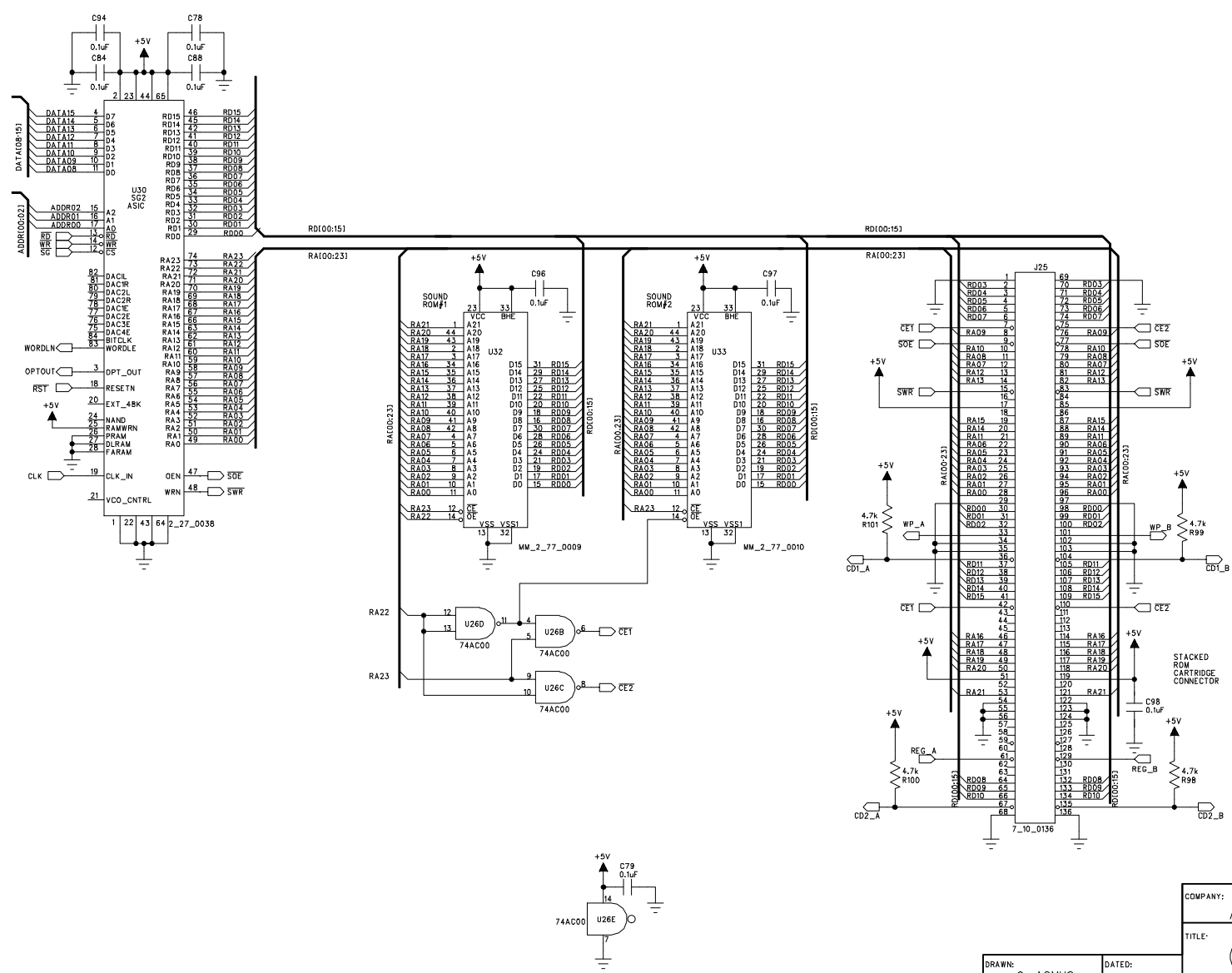
TITLE: QS6.1 MAIN

Q6MN210A.SCH

DRAWN: C. ASMUS	DATED: 4/17/98
CHECKED: C. ASMUS	DATED:
QUALITY CONTROL:	DATED:
RELEASED:	DATED:

CODE:	SIZE:	DRAWING NO:	REV:
	C	9-40-1387-A	A
SCALE:	SHEET: 1 OF 3		

REVISION RECORD			
LTR	ECO NO:	APPROVED.	DATE.



COMPANY: ALESIS CORP.				
TITLE: QS6.1/QS7/QS8 MAIN				
DRAWN: C. ASMUS	DATED:	CODE:	SIZE:	DRAWING NO:
CHECKED:	DATED:	C	9-40-1387-2	REV: X2
QUALITY CONTROL:	DATED:	SCALE:		SHEET: 2 OF 3
RELEASED:	DATED:			

REVISION RECORD			
LTR	ECO NO:	APPROVED.	DATE.

D

D

C

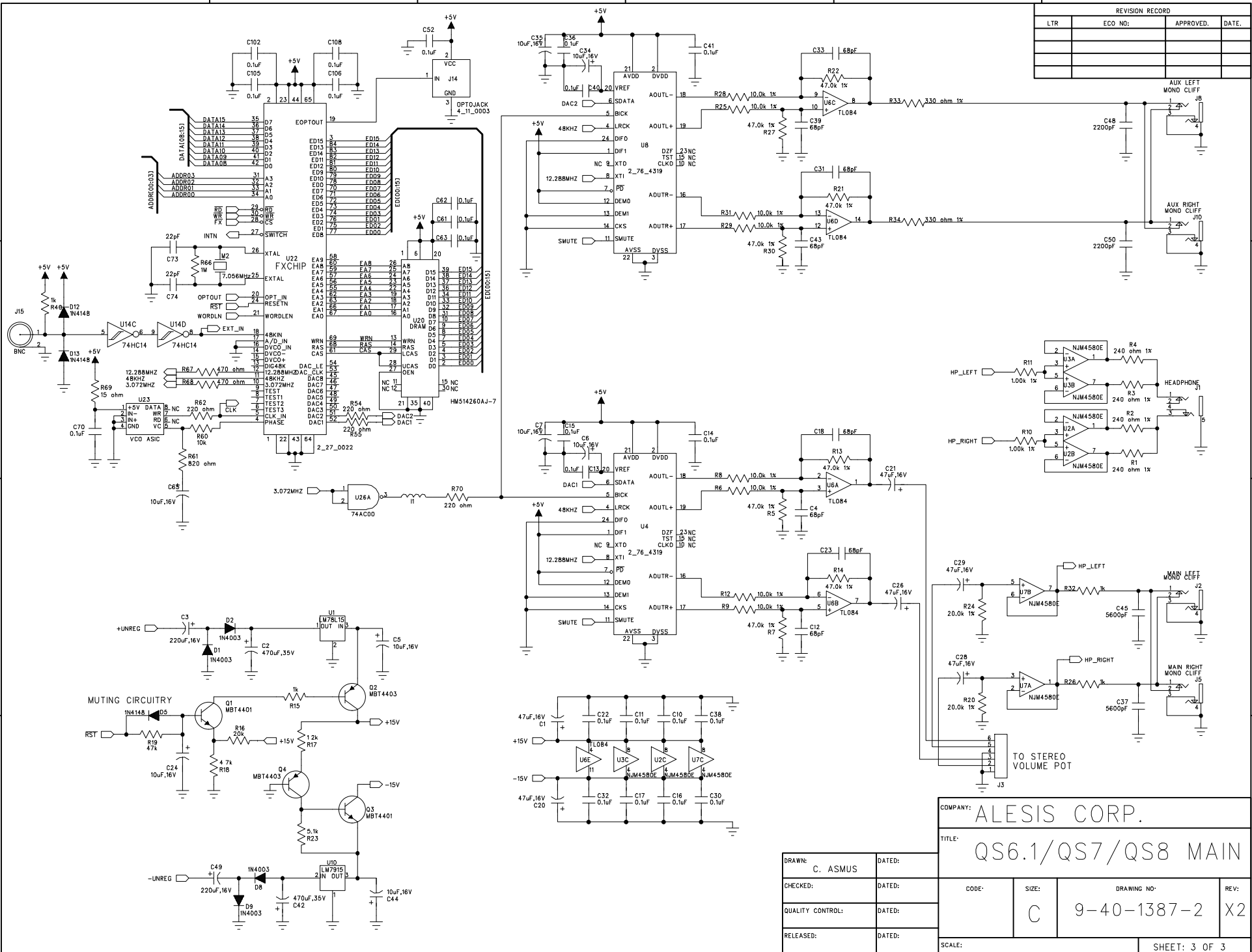
C

B

B

A

A



COMPANY: ALESIS CORP.

TITLE: QS6.1/QS7/QS8 MAIN

DRAWN: C. ASMUS	DATED:
CHECKED:	DATED:
QUALITY CONTROL:	DATED:
RELEASED:	DATED:

CODE:	SIZE:	DRAWING NO:	REV:
C	9-40-1387-2	X2	
SCALE:			SHEET: 3 OF 3

6

5

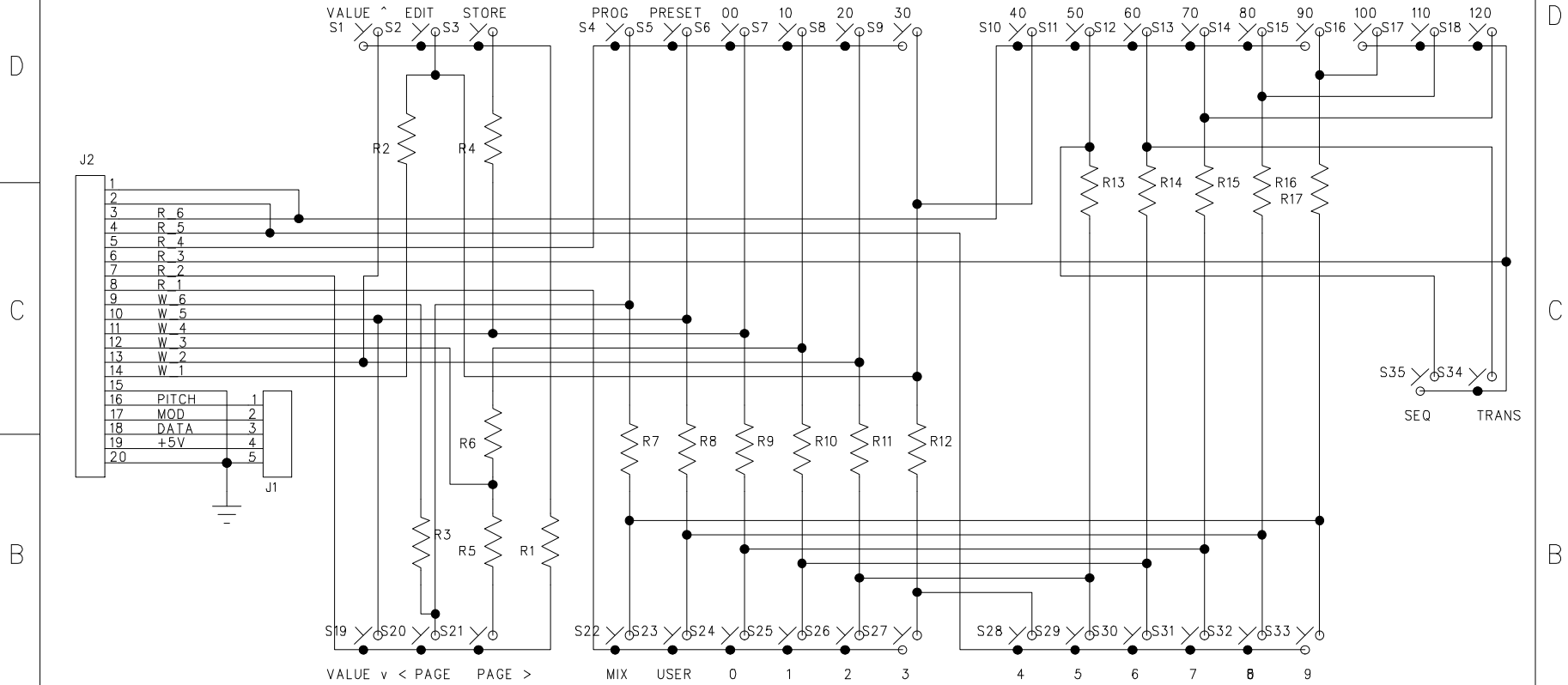
4

3

2

1

REVISION RECORD			
LTR.	ECO NO:	APPROVED:	DATE:
B	xxxxxxx	DWS	10/28/98



NOTE: ALL RESISTORS ARE CARBON-SCREENED ONTO PCB SURFACE

COMPANY:
ALESIS

TITLE:
QS6.1 KEYPAD PCB

DRAWN: C. ASMUS	DATED: 4/8/98
RELEASED: DWS	DATED: 10/28/98

SIZE: A	DRAWING NO: 9-40-1391	REV: B
SCALE:	SHEET: 1 OF 1	

6

5

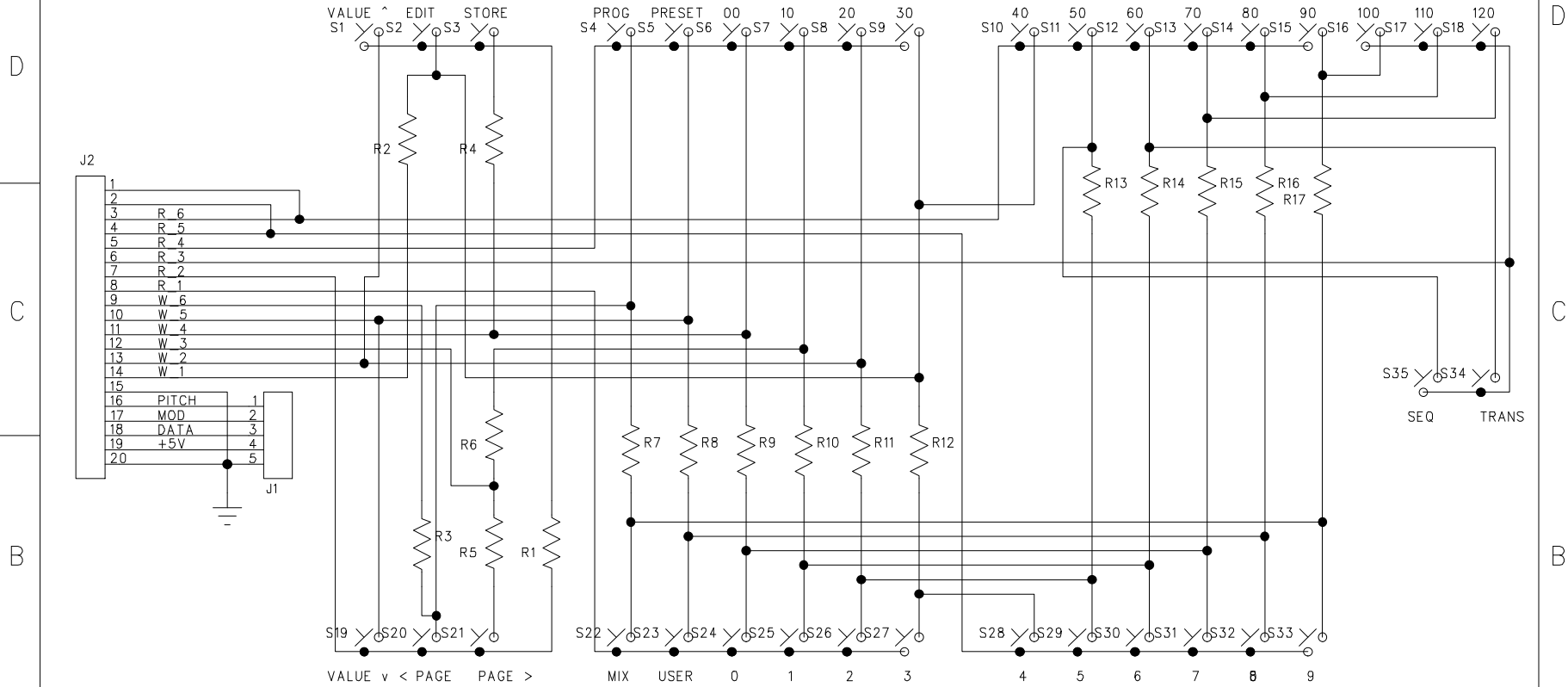
4

3

2

1

REVISION RECORD			
LTR.	ECO NO:	APPROVED:	DATE:



NOTE: ALL RESISTORS ARE CARBON-SCREENED ONTO PCB SURFACE

DRAWN: C. ASMUS	DATED: 4/8/98
RELEASED:	DATED:

COMPANY: ALESIS		
TITLE: QS6.1 KEYPAD PCB		
SIZE: A	DRAWING NO: 9-40-1391	REV: A
SCALE:	SHEET: 1 OF 1	