

ALESIS SUMO 300 (GK1) Service Manual

P/N: 8-31-0152-A

ATTENTION!

THIS DOCUMENT CONTAINS SENSITIVE
PROPRIETARY INFORMATION.
ALL RECIPIENTS MUST HAVE A CURRENT
NON-DISCLOSURE AGREEMENT ON FILE
WITH ALESIS, LLC.

**DO NOT MAKE ILLEGAL
COPIES OF THIS DOCUMENT**

The information in this document contains privileged and confidential information. It is intended only for the use of those authorized by Alesis. If you are not the authorized, intended recipient, you are hereby notified that any review, dissemination, distribution or duplication of this document is strictly prohibited. If you are not authorized, please contact Alesis and destroy all copies of this document. You may contact Alesis at servicemanuals@alesis.com or at support@alesis.com.

Copyright © 2004 Alesis, LLC

Preface

This document is intended to assist the service technician in the operation, maintenance and repair of the Alesis device. Together with the User Reference Manual, this document provides a complete description of the functionality and serviceability of the Device. Any comments or suggestions you may have pertaining to the document are welcome and encouraged.

READ THIS!

In addition to any purchase price that Alesis may charge as consideration for Alesis selling or otherwise transferring this service manual ("Manual") to you, if you are not a service and repair facility ("Service Center") authorized by Alesis in writing to be an authorized Service Center, Alesis sells or transfers the Manual to you on the following terms and conditions:

Only Service Centers authorized by Alesis in writing are authorized to perform service and repairs covered by an Alesis warranty (if any), and transfer of the Manual to you does not authorize you to be an authorized Service Center. **Therefore, if you perform, or if the Manual is used to perform, any service or repairs on any Alesis product or part thereof, any and all warranties of Alesis as to that product and any service contract with Alesis for that product shall be voided and shall no longer apply for such product, even if your services or repairs were done in accordance with the Manual.**

All service or repairs done by you or with reference to the Manual shall be solely your responsibility, and Alesis shall have no liability for any such repairs or service work. **All such service or repairs are performed at the sole risk of the person performing the service or repairs.** You agree that all such work will be performed in a competent, professional and safe manner at all times and to indemnify and fully hold Alesis and its successors and assigns harmless in the event of any failure to so perform.

Your purchase of the Manual shall be for your own ultimate use and shall not be for purposes of resale or other transfer.

As the owner of the copyright to the Manual, Alesis does not give you the right to copy the Manual, and you agree not to copy the Manual without the written authorization of Alesis. Alesis has no obligation to provide to you any correction of, or supplement to, the Manual, or any new or superseding version thereof.

Alesis shall have the right to refuse to sell or otherwise transfer repair parts or materials to you in its sole discretion. You shall not use, sell or otherwise transfer spare or replacement parts supplied by Alesis to you (i) to repair or be used in products manufactured for or by third parties or (ii) to any third parties for any purpose.

You shall not make any warranties or guarantees with respect to the products of Alesis or the use thereof on behalf of Alesis or in your own name.

The foregoing describes the entire understanding related to sale or transfer of the Manual to you, and no other terms shall apply unless in a writing signed by an authorized representative of Alesis.

All Trademarks are property of their respective companies.

Warnings

TO REDUCE THE RISK OF ELECTRIC SHOCK OR FIRE, DO NOT EXPOSE THIS PRODUCT TO WATER OR MOISTURE.



The arrowhead symbol on a lightning flash inside a triangle is intended to alert the user to the presence of un-insulated "dangerous voltage" within the enclosed product which may be of sufficient magnitude to constitute a risk of electric shock to persons.



The exclamation point inside a triangle is intended to alert the user to the presence of important operating, maintenance and servicing instructions in the literature which accompanies the product.

REPAIR BY ANY PERSON OR ENTITY OTHER THAN AN AUTHORIZED ALESIS SERVICE CENTER WILL VOID THE ALESIS WARRANTY.

PROVISION OF THIS MANUAL DOES NOT AUTHORIZE THE RECIPIENT TO COMPETE WITH ANY ALESIS DISTRIBUTOR OR AUTHORIZED REPAIR SERVICE CENTER IN THE PROVISION OF REPAIR SERVICES OR TO BE OR MAKE REPAIRS AS AN AUTHORIZED SERVICE CENTER.

ALL REPAIRS DONE BY ANY ENTITY OTHER THAN AN AUTHORIZED ALESIS SERVICE CENTER SHALL BE SOLELY THE RESPONSIBILITY OF THAT ENTITY, AND ALESIS SHALL HAVE NO LIABILITY TO THAT ENTITY OR TO ANY OTHER PARTY FOR ANY REPAIRS BY THAT ENTITY.

Regarding the Power Supply Fuse



CAUTION: The product under service may employ the use of a replaceable fuse. Danger of fire or electrocution if fuse is incorrectly replaced. Replace with only the same type or equivalent type recommended by the equipment manufacturer.

Regarding the Internal Battery



CAUTION: The product under service may employ the use of an internal battery. Danger of explosion if battery is incorrectly replaced. Replace only with the same or equivalent type recommended by the manufacturer. Dispose of used batteries according to the manufacturer's instruction.

Safety Instructions

Carefully read the applicable items of the operating instructions and these safety suggestions before using this product. Use extra care to follow the warnings written on the product itself and in the operating instructions. Keep the operating instructions and safety suggestions for reference in the future.

1. Power Source. The product should only be connected to a power supply which is described either in the operating instructions or in markings on the product.
2. Power Cord Protection. AC power supply cords should be placed such that no one is likely to step on the cords and such that nothing will be placed on or against them.
3. Periods of Non-use. If the product is not used for any significant period of time, the product's AC power supply cord should be unplugged from the AC outlet.
4. Foreign Objects and Liquids. Take care not to allow liquids to spill or objects to fall into any openings of the product.
5. Water or Moisture. The product should not be used near any water or in moisture.
6. Heat. Do not place the product near heat sources such as stoves, heat registers, radiators or other heat producing equipment.
7. Ventilation. When installing the product, make sure that the product has adequate ventilation. Improperly ventilating the product may cause overheating, which may damage the product.
8. Mounting. The product should only be used with a rack which the manufacturer recommends. The combination of the product and rack should be moved carefully. Quick movements, excessive force or uneven surfaces may overturn the combination which may damage the product and rack combination.
9. Cleaning. The product should only be cleaned as the manufacturer recommends.
10. Service. The user should only attempt the limited service or upkeep specifically described in the operating instructions for the user. For any other service required, the product should be taken to an authorized service center as described in the operating instructions.
11. Damage to the Product. Qualified service personnel should service the unit in certain situations including without limitation when:
 - a. Liquid has spilled or objects have fallen into the product,
 - b. The product is exposed to water or excessive moisture,
 - c. The AC power supply plug or cord is damaged,
 - d. The product shows an inappropriate change in performance or does not operate normally, or
 - e. The enclosure of the product has been damaged.

ALESIS SUMO 300 (GK1)

SCHEMATIC AND PCB FILES

6

5

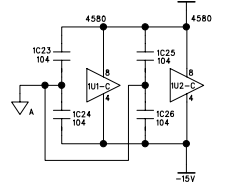
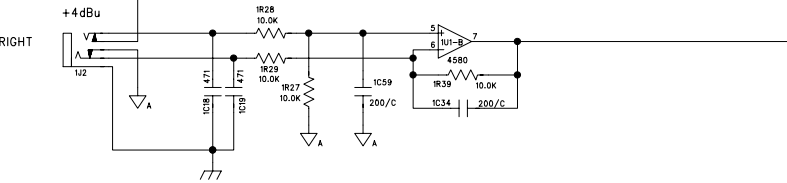
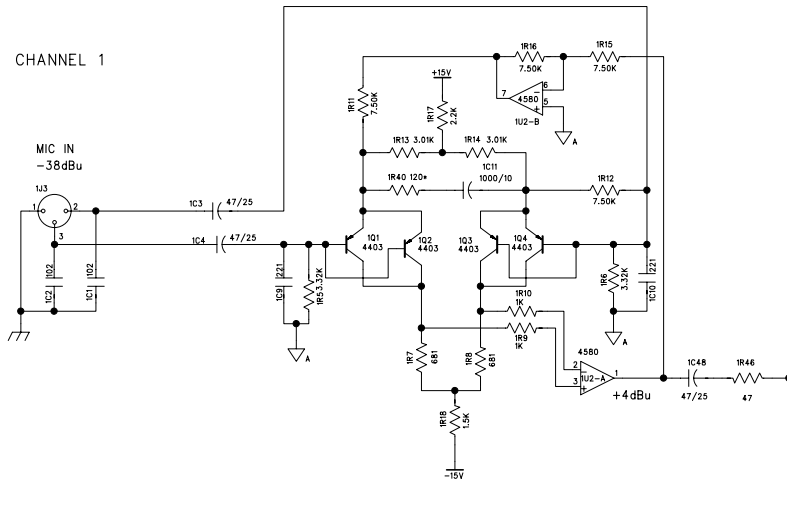
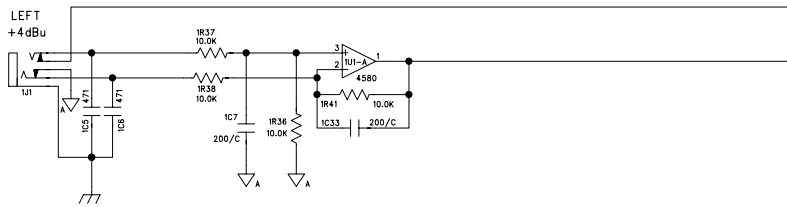
4

3

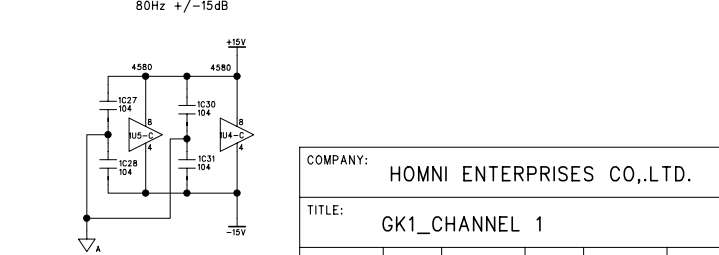
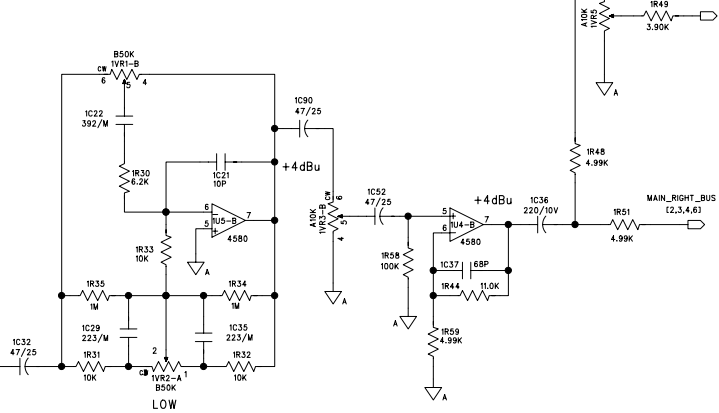
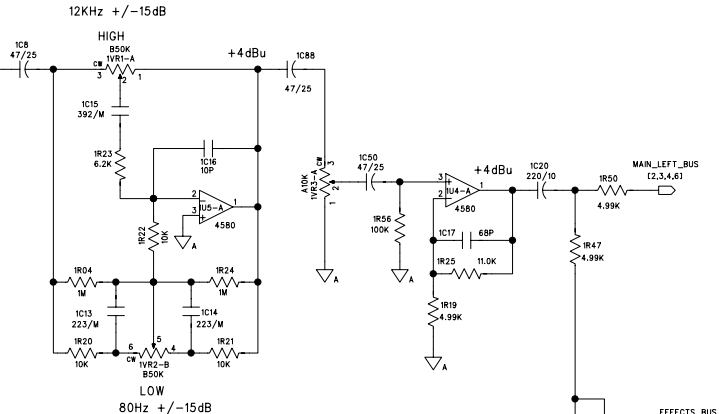
2

1

REAR PCB



FRONT PCB



COMPANY: HOMNI ENTERPRISES CO.,LTD.					
TITLE: GK1_CHANNEL 1					
DRAWN: YANG.Q.Z	DATED: 04.05.08	CHECKED:	DATED:	APPROVED:	DATED:
DWG NO: PT-X-XXXXX-XX	SCALE:	SIZE:A2	REV:1.1	SHEET: 1 OF 7	

6

5

4

3

2

1

D

C

B

A

D

C

B

A

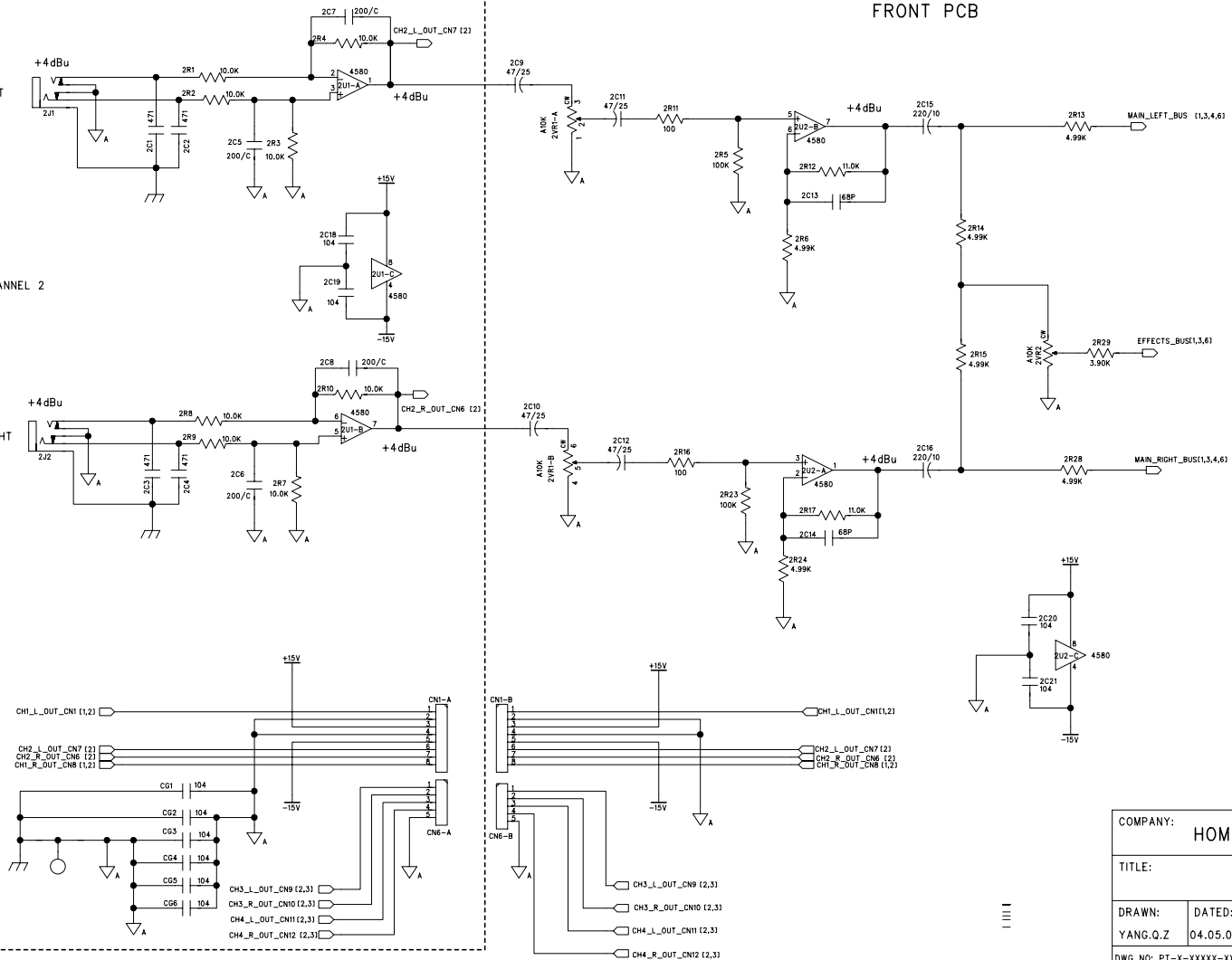
REAR PCB

FRONT PCB

LEFT

CHANNEL 2

RIGHT



COMPANY: HOMNI ENTERPRISES CO.,LTD.					
TITLE: GK1-CHANNEL 2					
DRAWN: YANG.Q.Z	DATED: 04.05.08	CHECKED:	DATED:	APPROVED:	DATED:
DWG NO: PT-X-XXXX-XX	SCALE:	SIZE:A2	REV:1.1	SHEET: 2 OF 7	

6

5

4

3

2

1

D

C

B

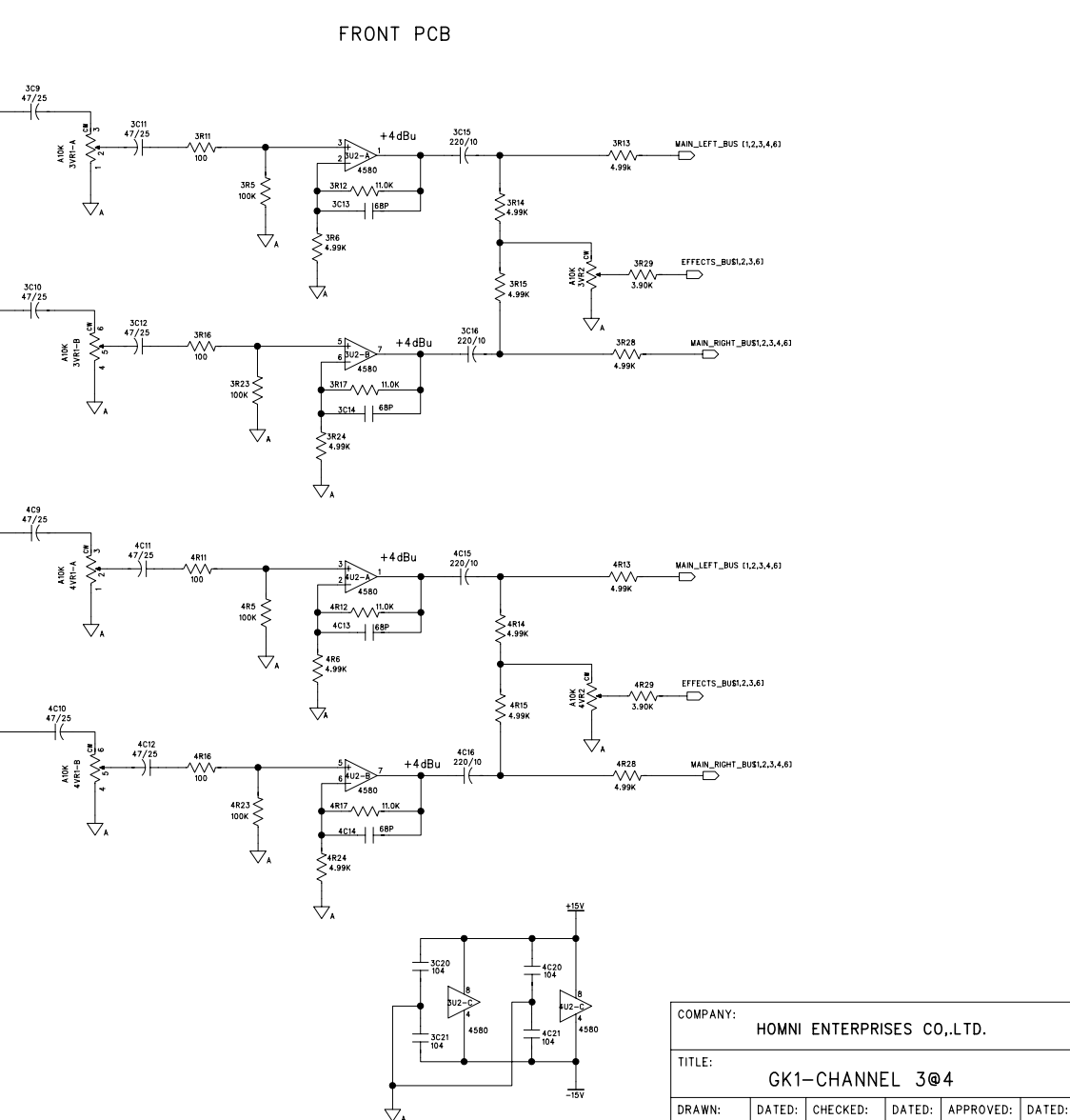
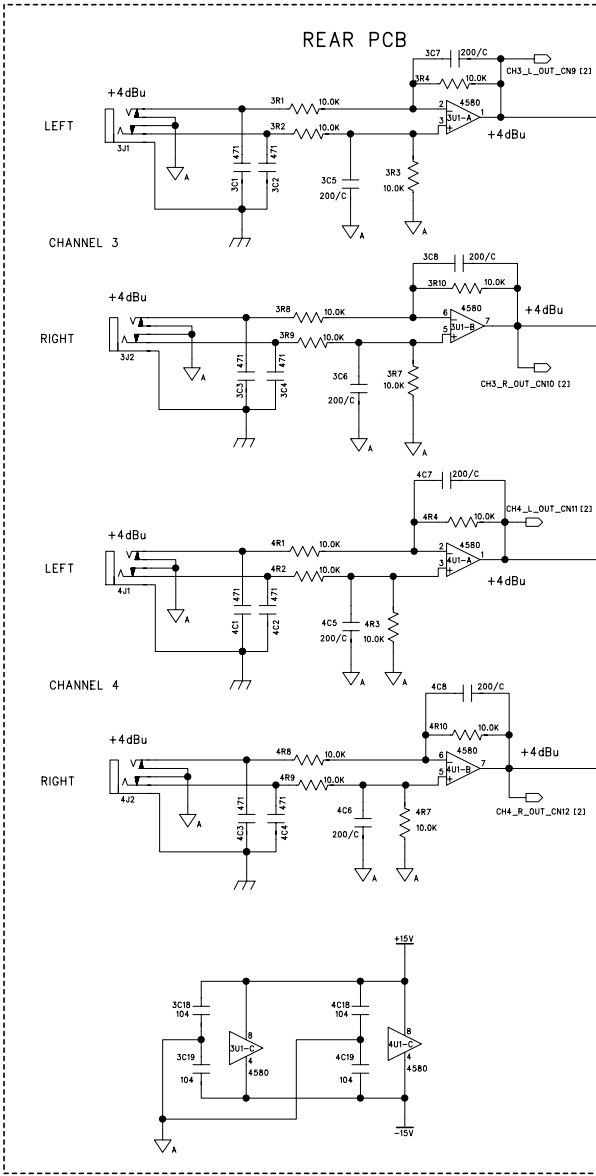
A

D

C

B

A



COMPANY: HOMNI ENTERPRISES CO.,LTD.					
TITLE: GK1-CHANNEL 3@4					
DRAWN: YANG.Q.Z	DATED: 04.05.08	CHECKED:	DATED:	APPROVED:	DATED:
DWG NO: PT-X-XXXX-XX	SCALE:	SIZE:A2	REV:1.00	SHEET:3 OF 7	

6

5

4

3

2

1

D

C

B

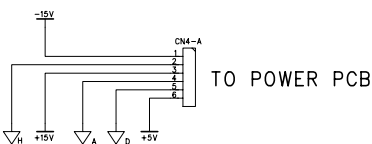
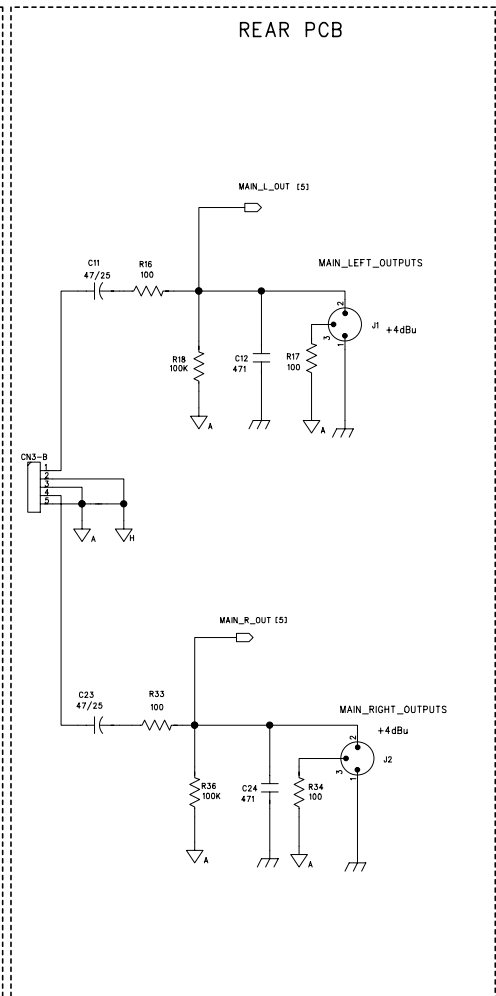
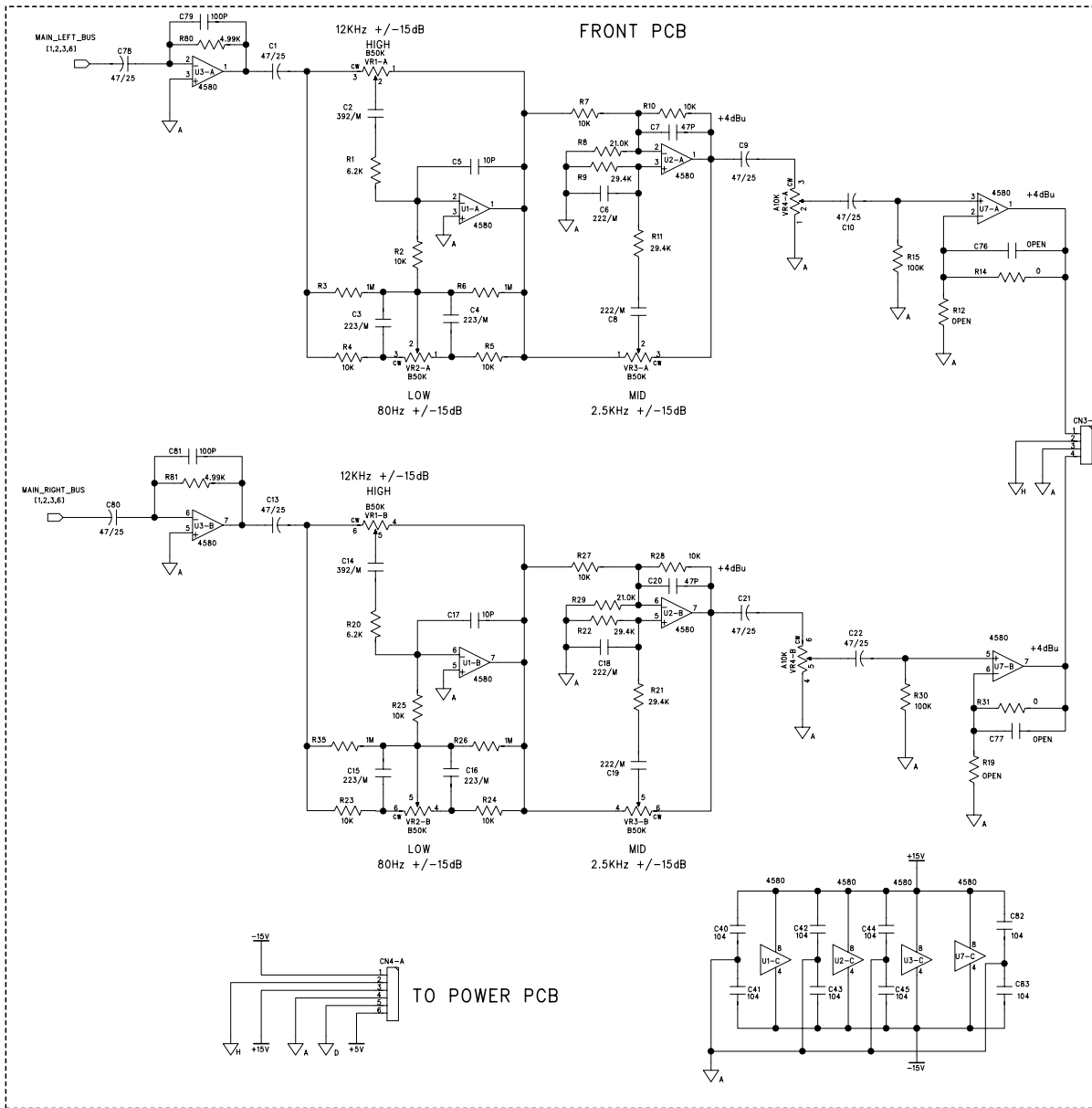
A

D

C

B

A



COMPANY: HOMNI ENTERPRISES CO.,LTD.					
TITLE: GK1_MAIN OUT					
DRAWN: YANG.Q.Z	DATED: 04.05.08	CHECKED:	DATED:	APPROVED:	DATED:
DWG NO: PT-X-XXXXX-XX	SCALE:	SIZE:A2	REV:1.1	SHEET: 4 OF 7	

6

5

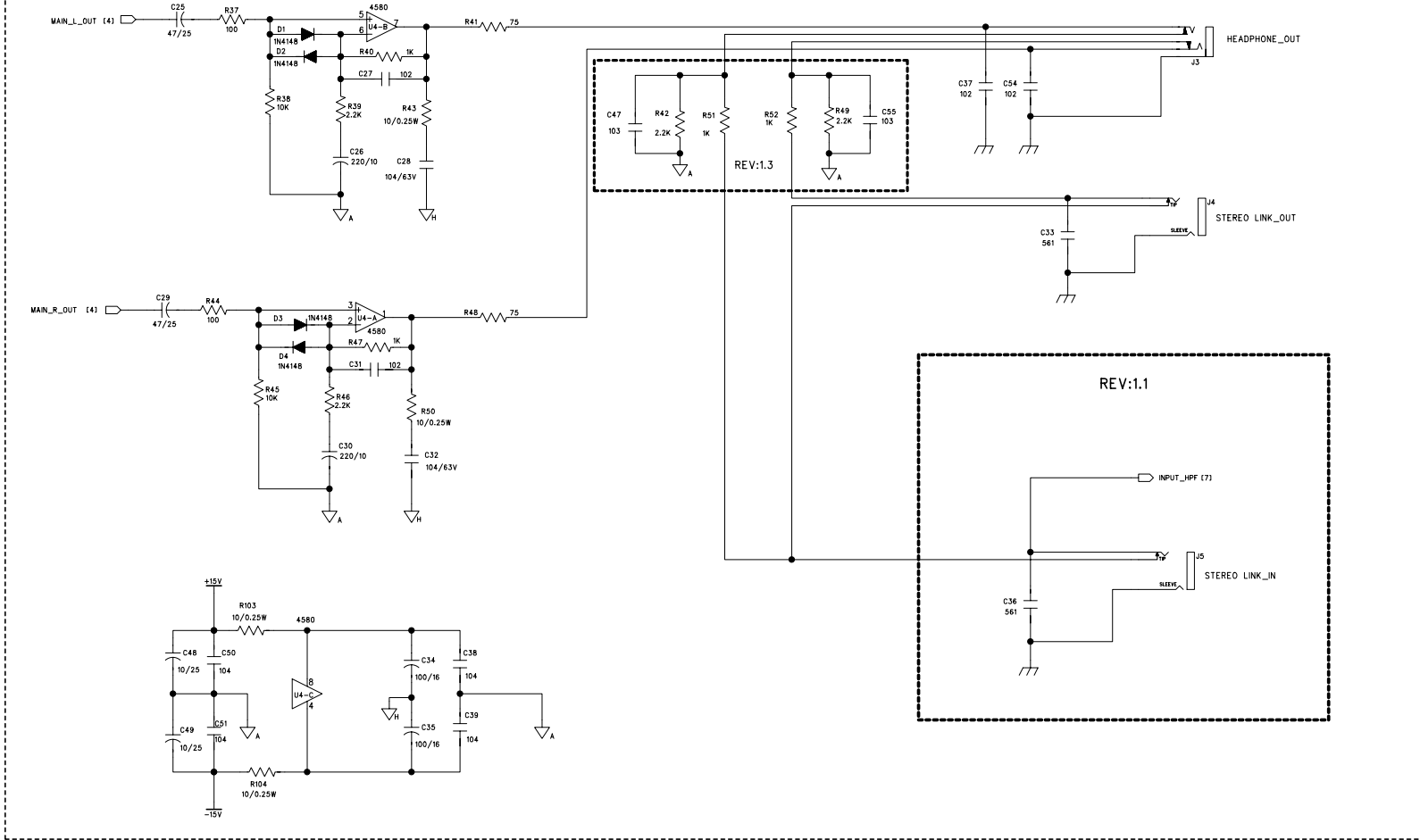
4

3

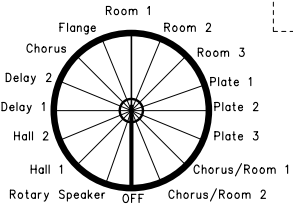
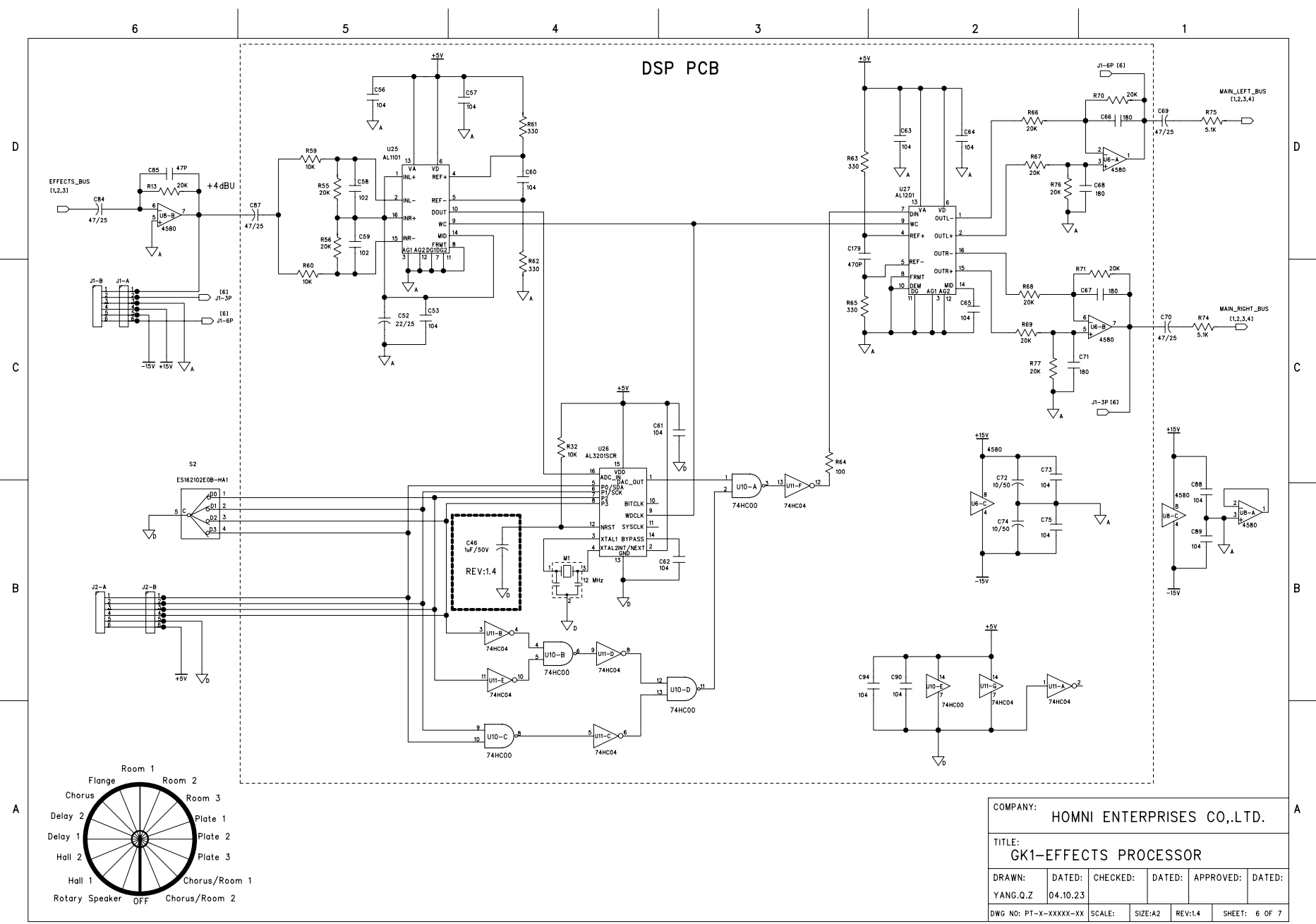
2

1

REAR PCB



COMPANY:		HOMNI ENTERPRISES CO.,LTD.			
TITLE:		GK1 _HEADPHONE_OUT			
DRAWN:	DATED:	CHECKED:	DATED:	APPROVED:	DATED:
YANG.Q.Z	04.07.03				
DWG NO:	PT-X-XXXX-XX	SCALE:	SIZE:A2	REV:1.3	SHEET: 5 OF 7



COMPANY: HOMNI ENTERPRISES CO.,LTD.					
TITLE: GK1-EFFECTS PROCESSOR					
DRAWN: YANG.Q.Z	DATED: 04.10.23	CHECKED:	DATED:	APPROVED:	DATED:
DWG NO: PT-X-XXXX-XX	SCALE:	SIZE:A2	REV:1.4	SHEET: 6 OF 7	

6

5

4

3

2

1

REAR PCB

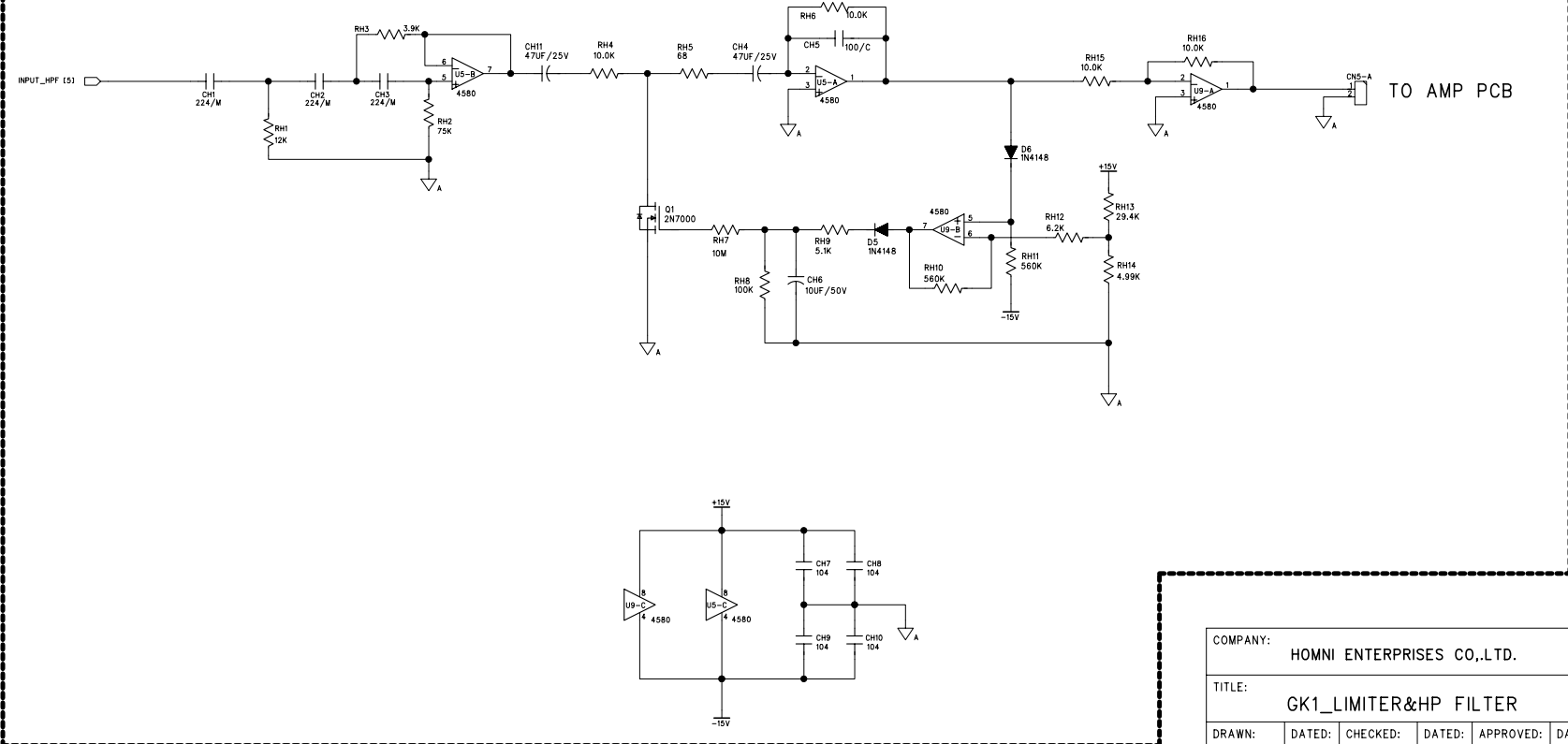
REV:1.2

HP Filter

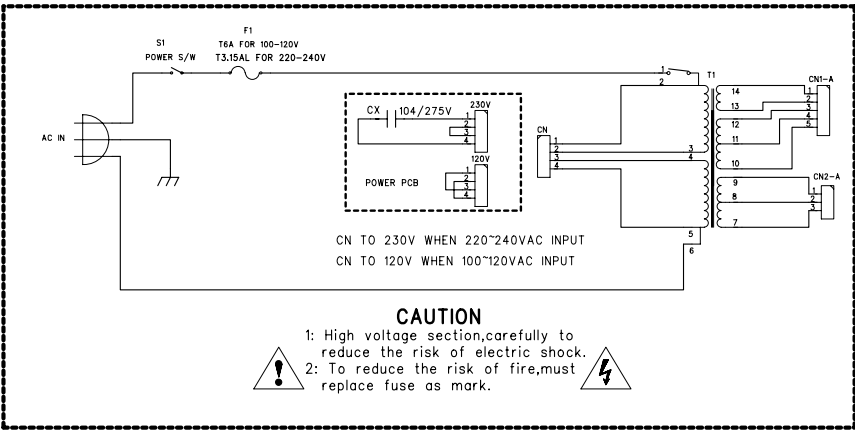
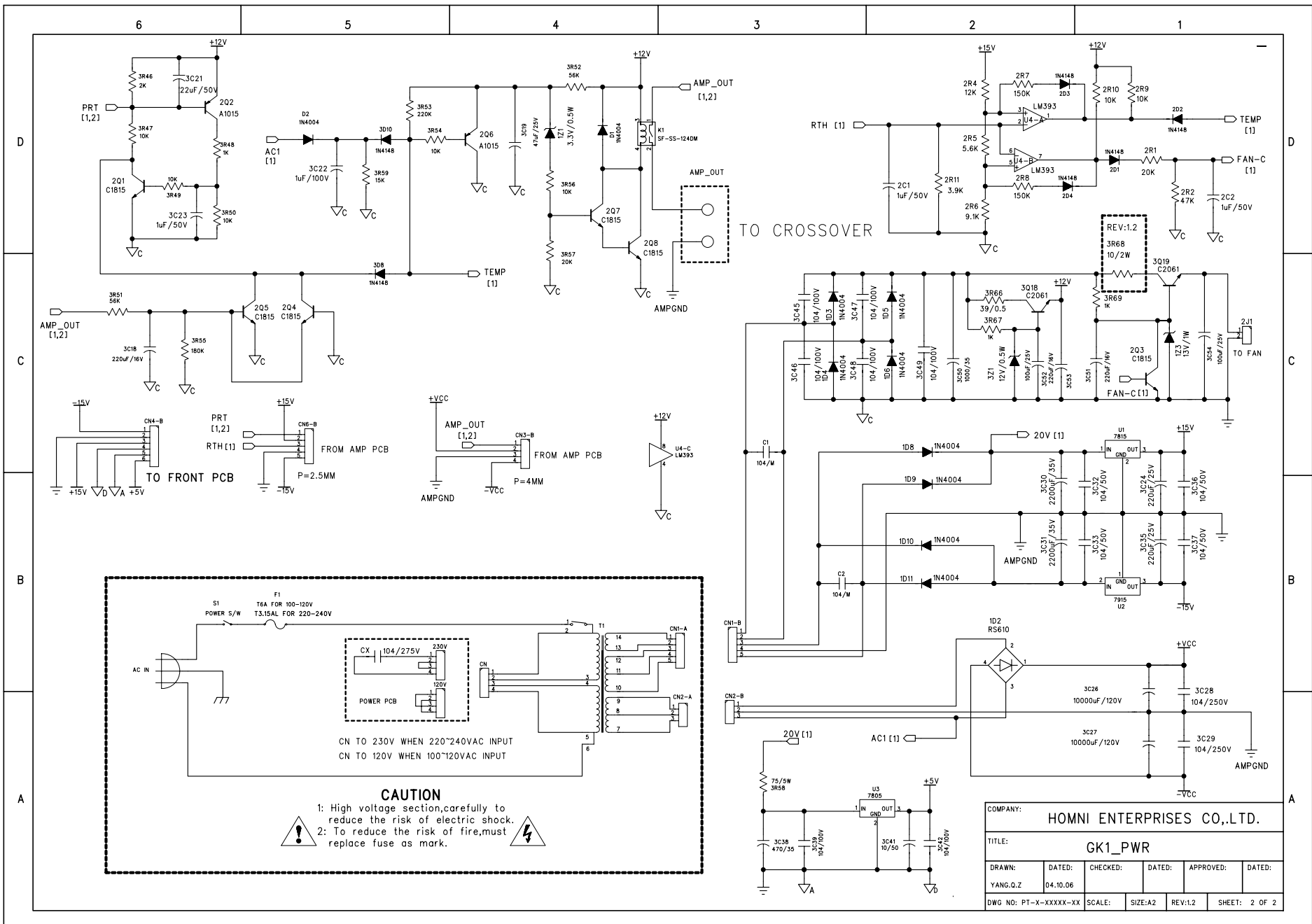
3 pole under-damped HPF, -3dB @ 45Hz

Limiter

TO AMP PCB



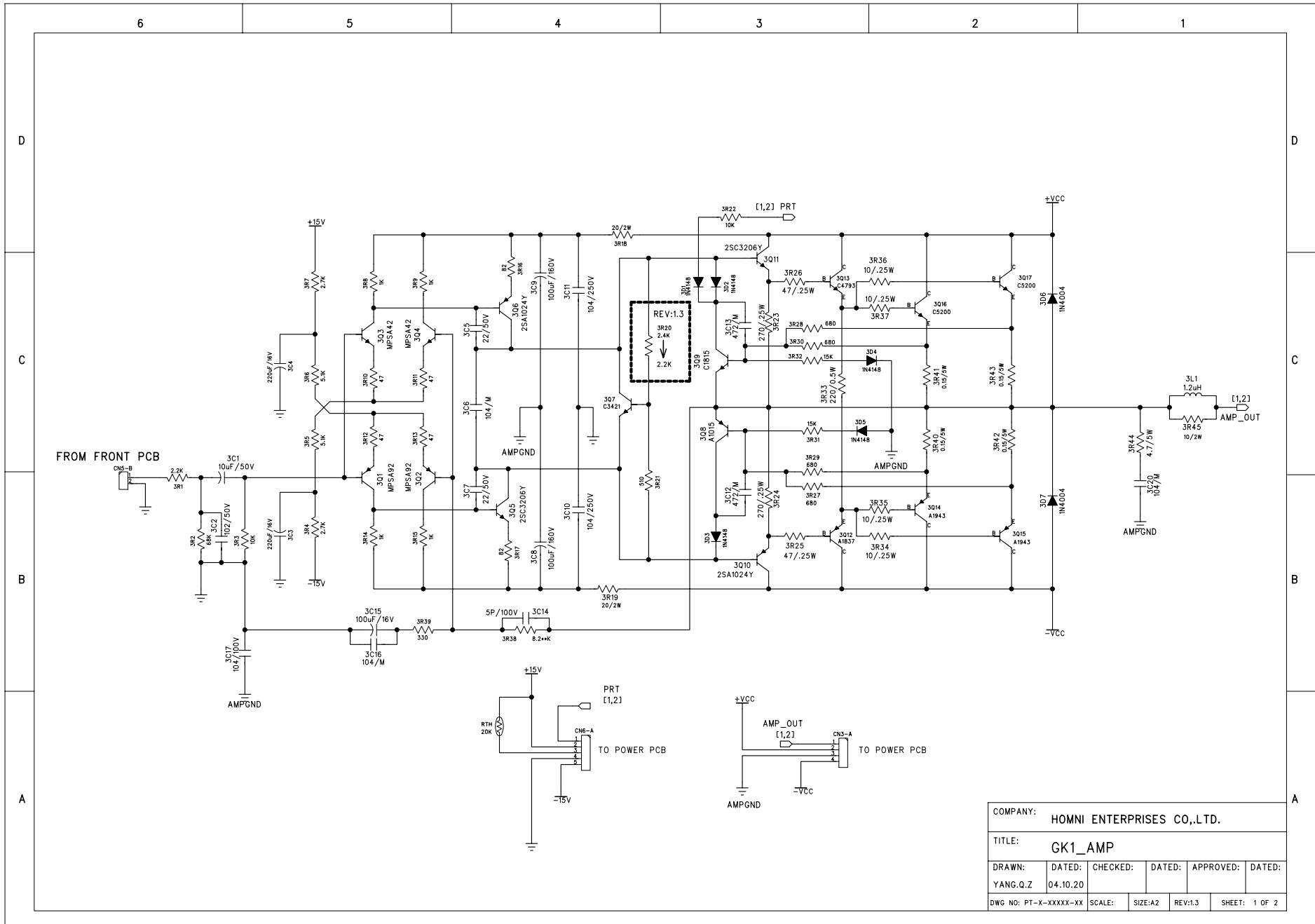
COMPANY: HOMNI ENTERPRISES CO.,LTD.					
TITLE: GK1_LIMITER&HP FILTER					
DRAWN: YANG.Q.Z	DATED: 04.05.08	CHECKED:	DATED:	APPROVED:	DATED:
DWG NO: PT-X-XXXX-XX	SCALE:	SIZE:A2	REV:1.1	SHEET: 7 OF 7	



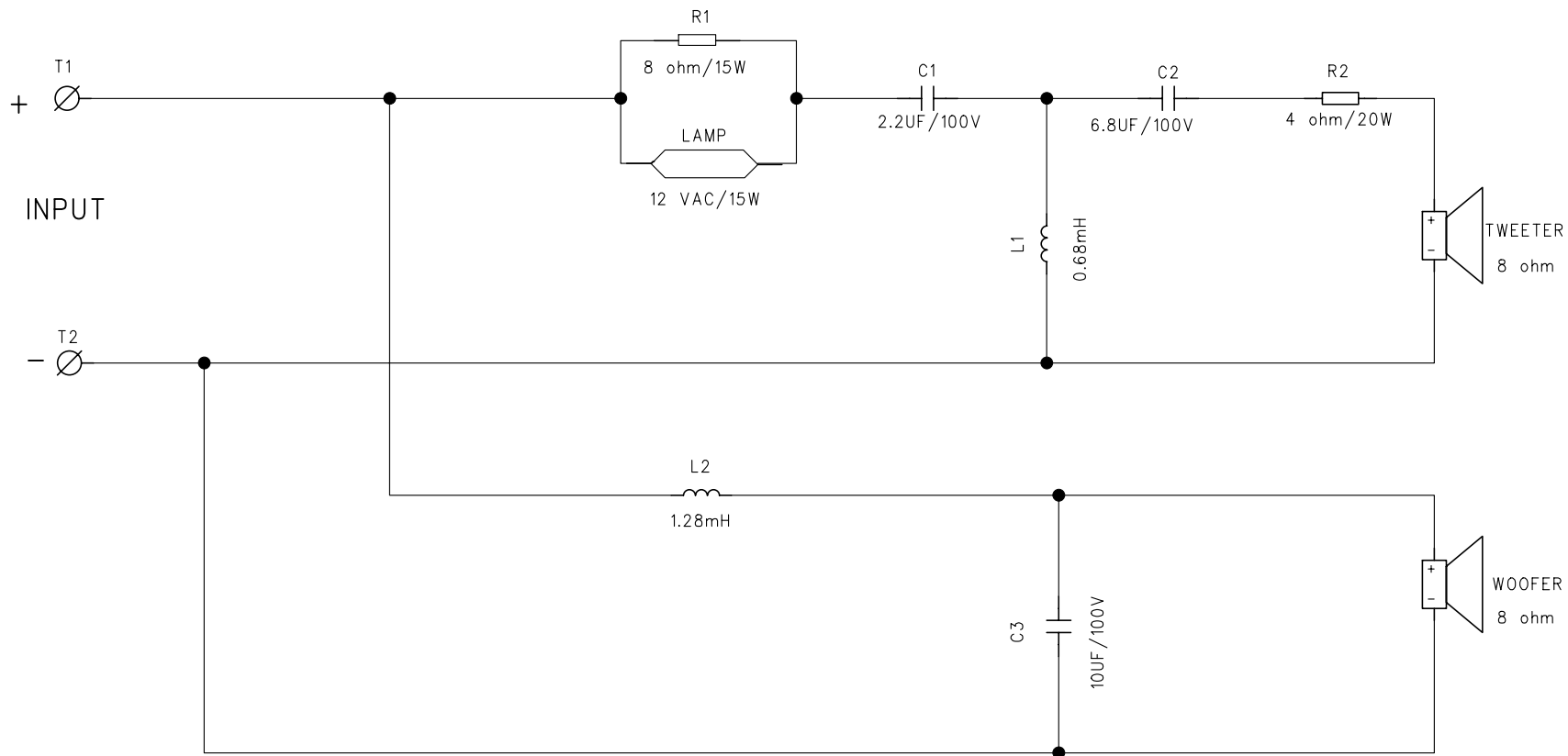
COMPANY: **HOMNI ENTERPRISES CO.,LTD.**

TITLE: **GK1_PWR**

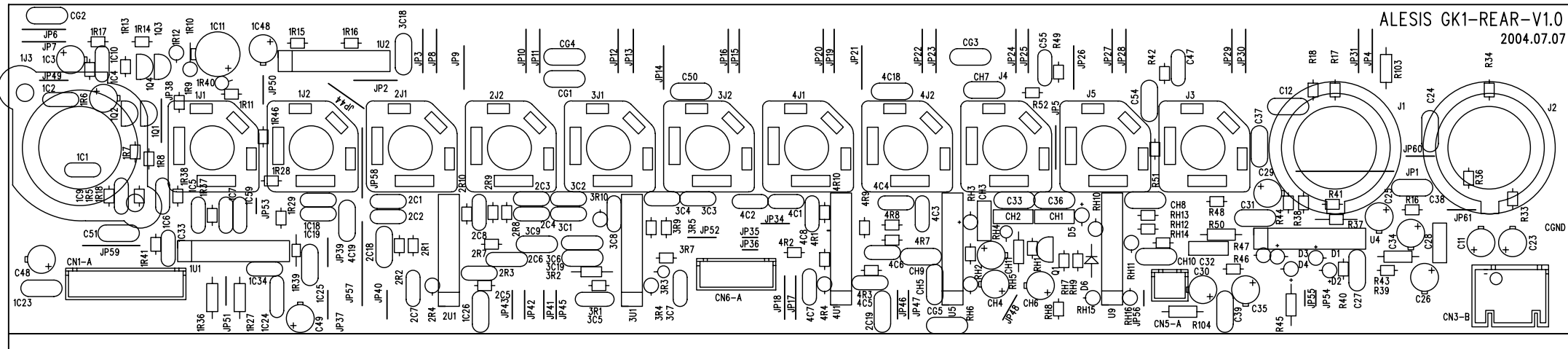
DRAWN: YANG.Q.Z	DATED: 04.10.06	CHECKED:	DATED:	APPROVED:	DATED:
DWG NO: PT-X-XXXX-XX	SCALE:	SIZE:A2	REV:1.2	SHEET: 2 OF 2	



COMPANY: HOMNI ENTERPRISES CO.,LTD.					
TITLE: GK1_AMP					
DRAWN: YANG.Q.Z	DATED: 04.10.20	CHECKED:	DATED:	APPROVED:	DATED:
DWG NO: PT-X-XXXX-XX	SCALE:	SIZE:A2	REV:1.3	SHEET: 1 OF 2	



COMPANY:					HOMNI ENTERPRISES CO.,LTD.				
TITLE:					GK1 CROSSOVER				
DRAWN:	DATED:	CHECKED:	APPROVED:	DATED:	DRAWN:	DATED:	CHECKED:	APPROVED:	DATED:
					Xu Li	04.07.29			
DWG NO.: PT-X-XXXX-XX		SCALE:	SIZE:A3	REV:1.00	SHEET: 1 OF 1				

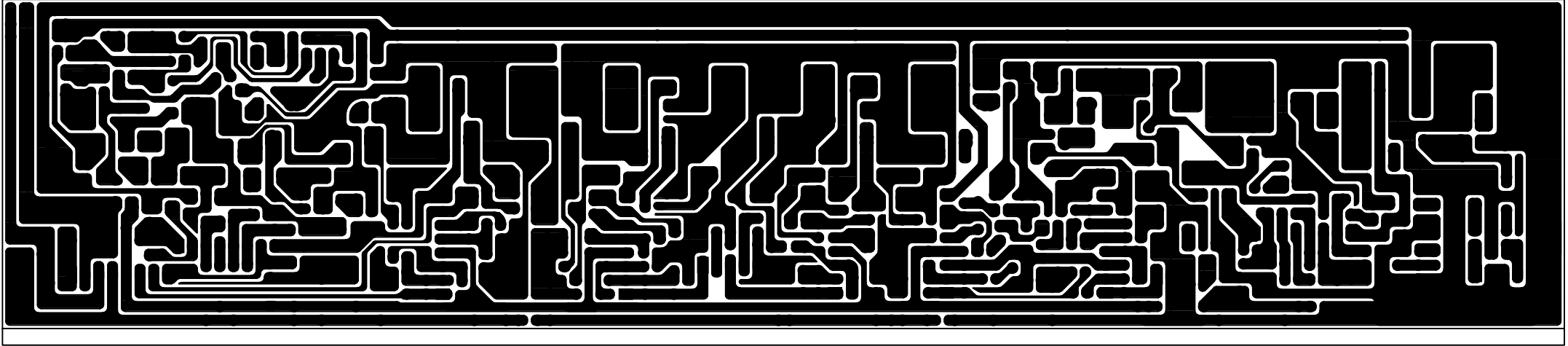


HOMNI ENTERPRISES CO.,LTD
 GK1 REAR V1.0 04.07.21
 SILKSCREEN TOP SIDE

DRAWN:

CHECKED:

APPROVED:

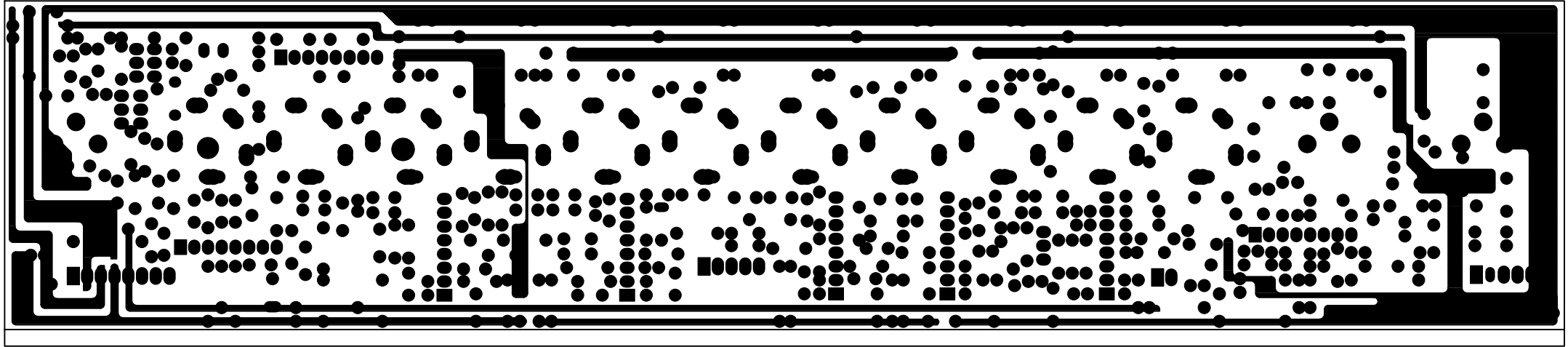


HOMNI ENTERPRISES CO.,LTD
GK1 REAR V1.0 04.07.21
SILKSCREEN BOTTOM SIDE

DRAWN:

CHECKED:

APPROVED:

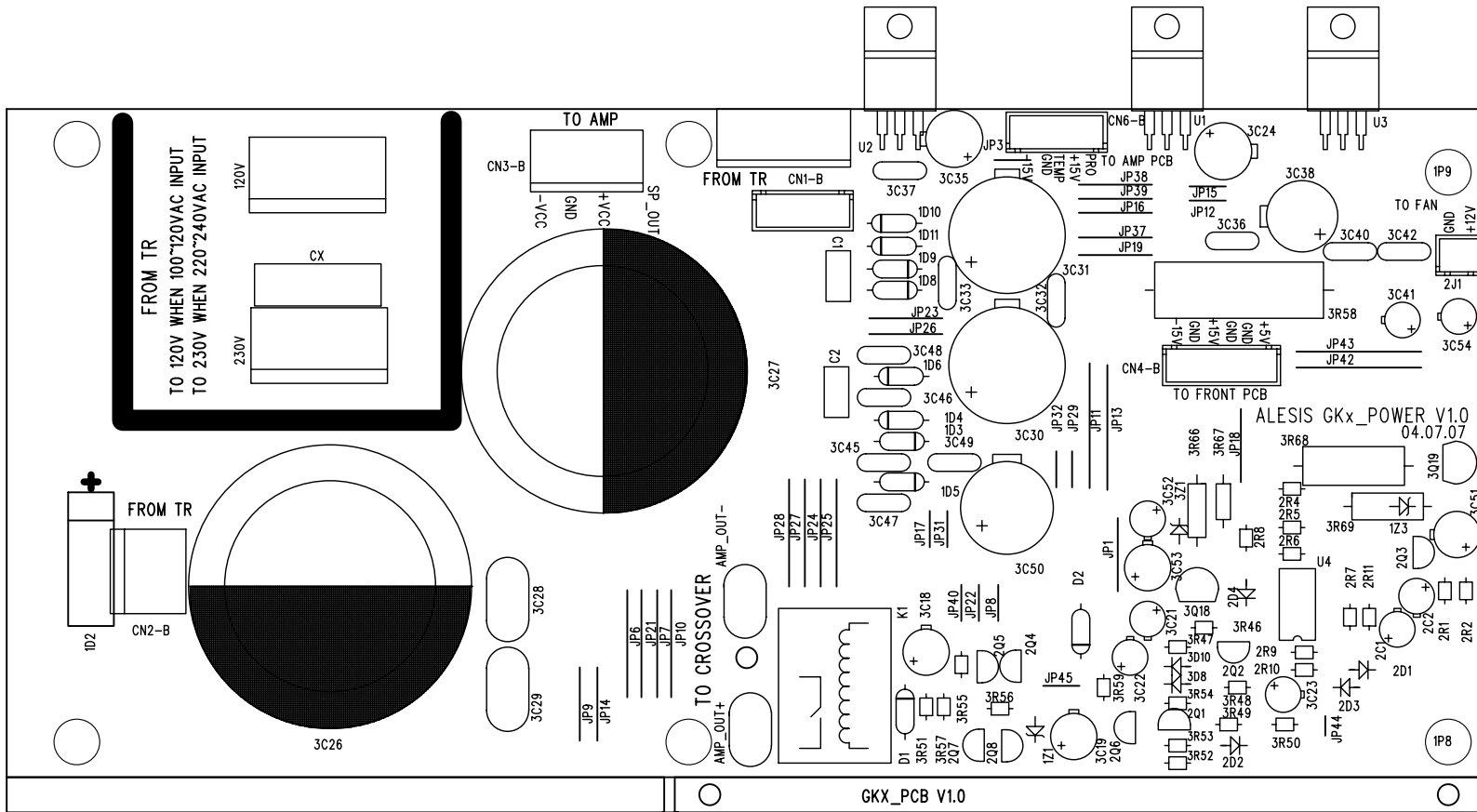


HOMNI ENTERPRISES CO.,LTD
GK1 REAR V1.0 04.07.21
BOTTOM SIDE

DRAWN:

CHECKED:

APPROVED:

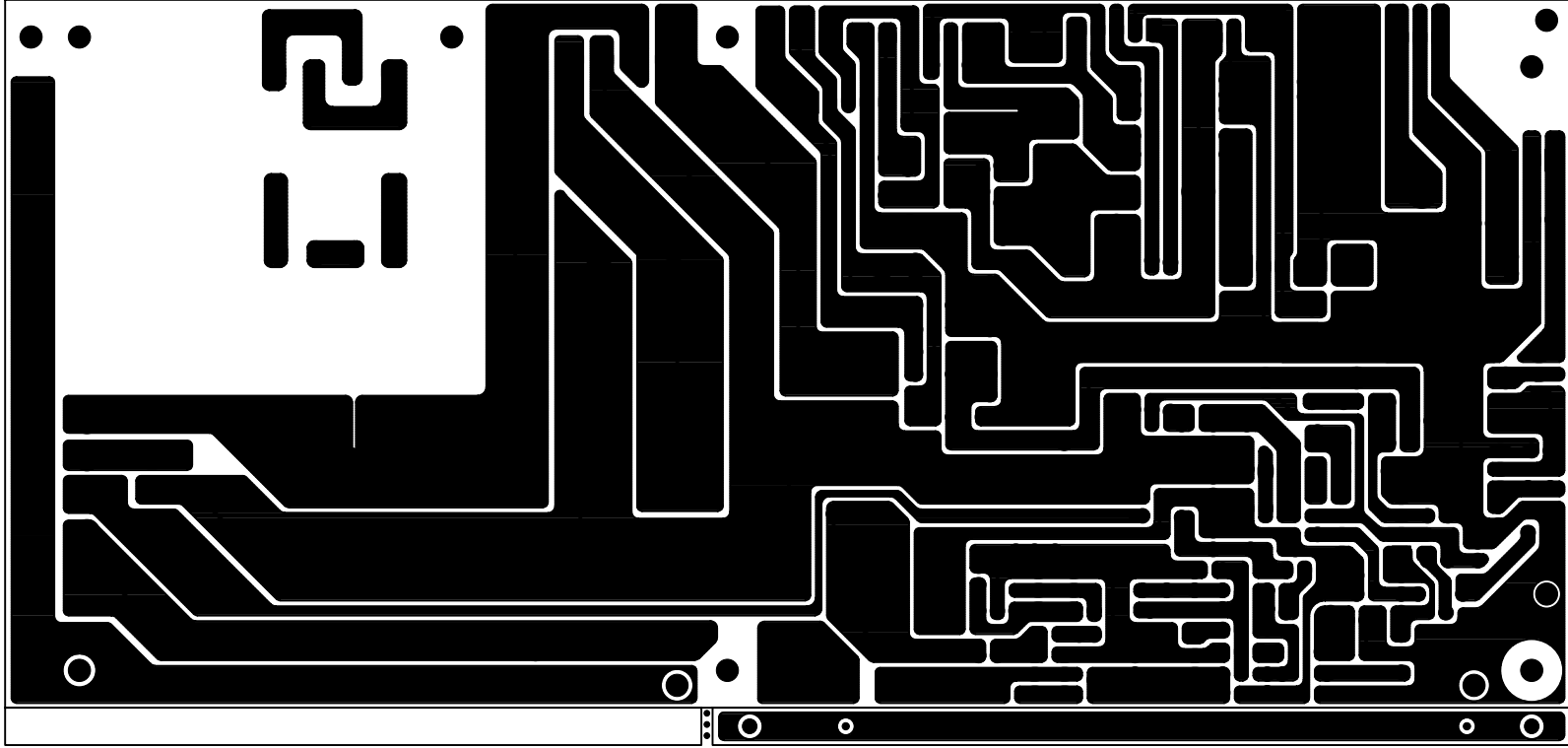


HOMNI ENTERPRISES CO.,LTD
 GKX POWER V1.0 04.07.21
 SILKSCREEN TOP SIDE

DRAWN:

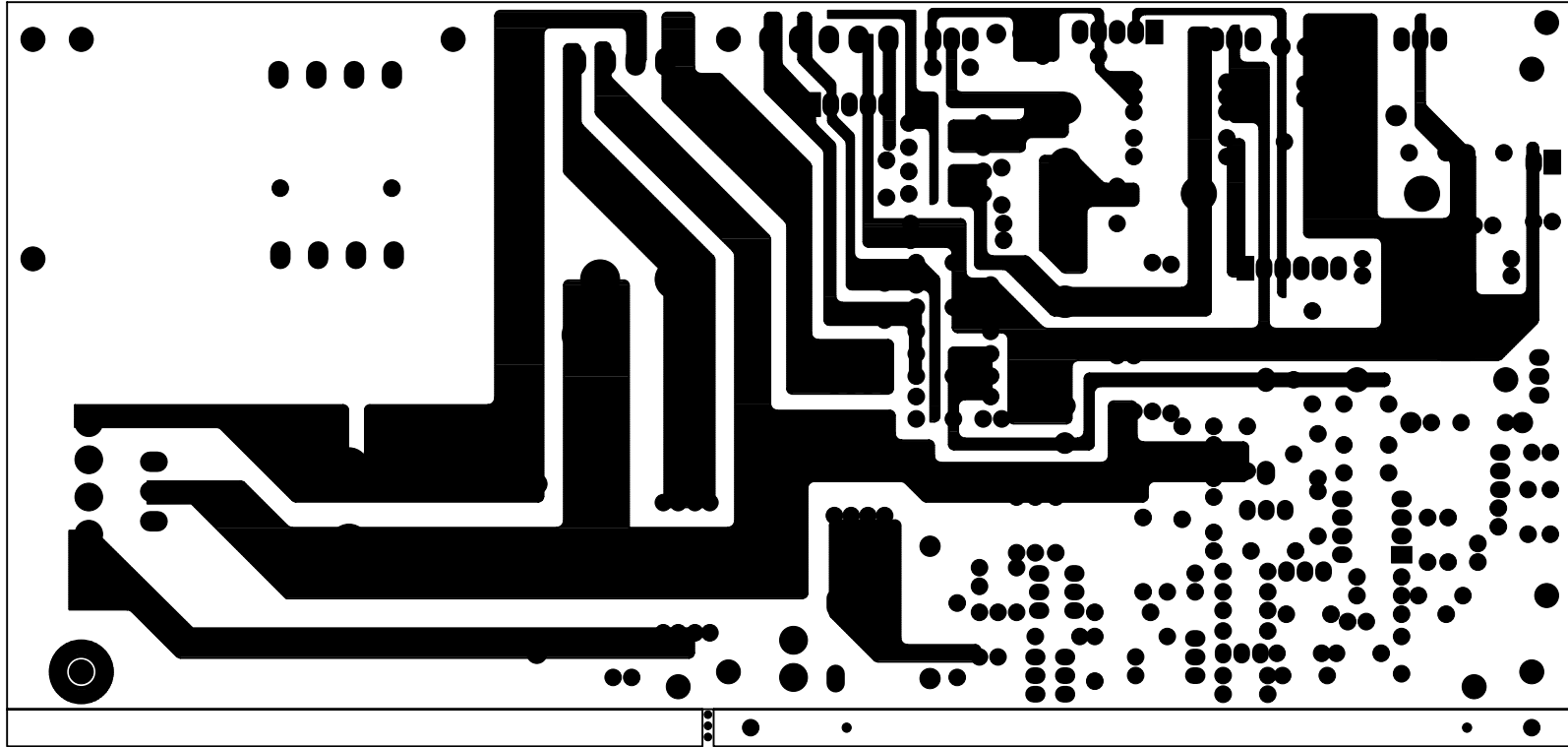
CHECKED:

APPROVED:



SILKSCREEN BOTTOM SIDE
GKX POWER V1.0 04.07.21
HOMNI ENTERPRISES CO.,LTD

DRAWN:
CHECKED:
APPROVED:

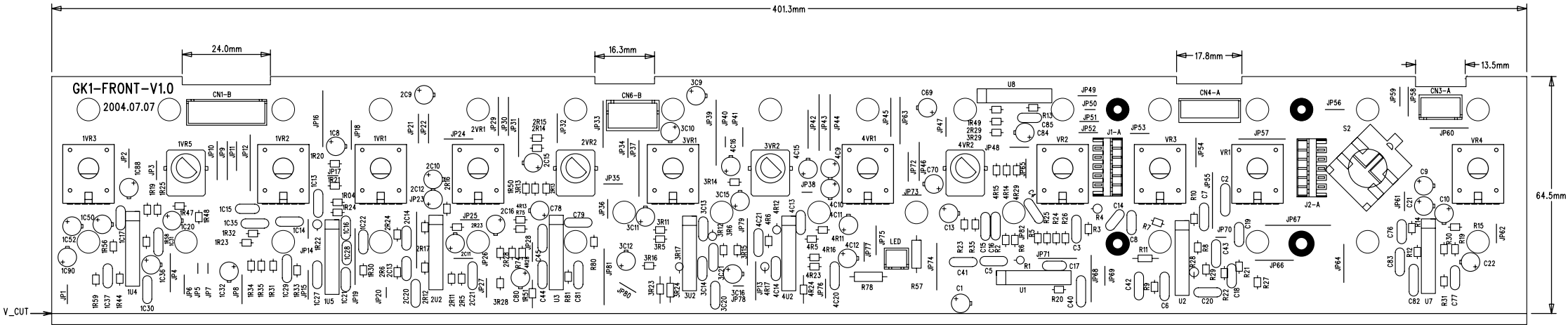


HOMI ENTERPRISES CO.,LTD
GKX POWER V1.0 04.07.21
BOTTOM SIDE

DRAWN:

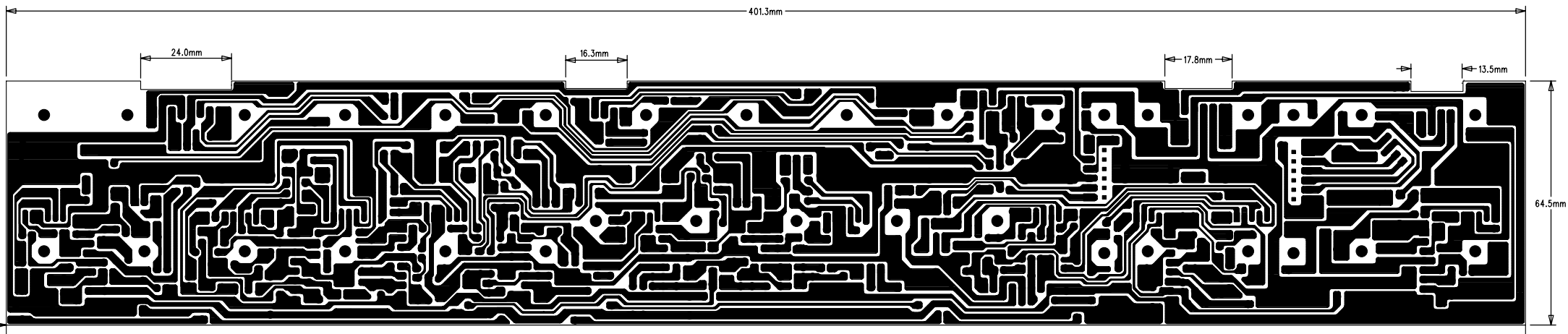
CHECKED:

APPROVED:



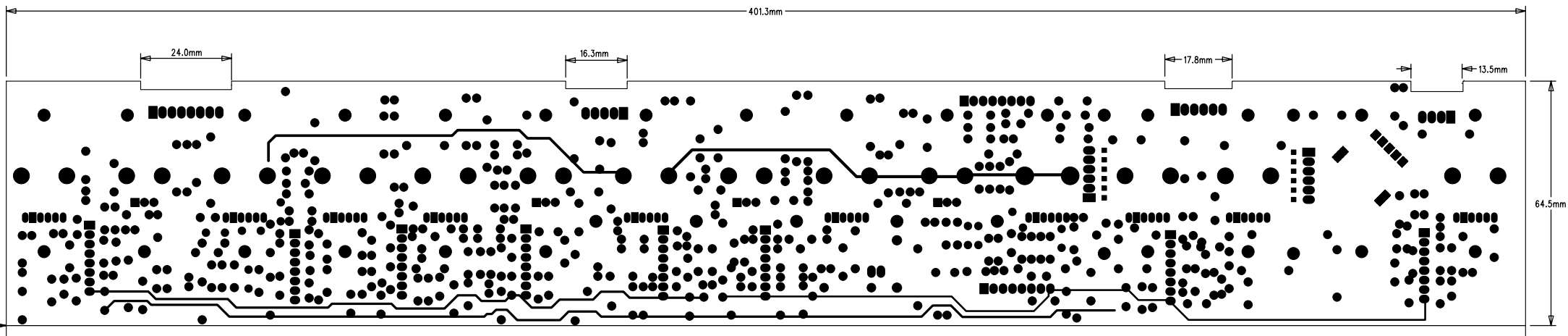
HOMNI ENTERPRISES CO.,LTD
 GK1 FRONT V1.0 04.07.21
 SILKSCREEN TOP SIDE

DRAWN: CHECKED: APPROVED:



HOMI ENTERPRISES CO.,LTD
GK1 FRONT V1.0 04.07.21
SILSCREEN BOTTOM SIDE

DRAWN:
CHECKED:
APPROVED:

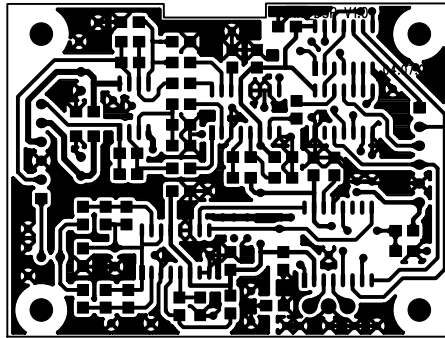


HOMMI ENTERPRISES CO.,LTD
 GK1 FRONT V1.0 04.07.21
 BOTTOM SIDE

DRAWN:

CHECKED:

APPROVED:

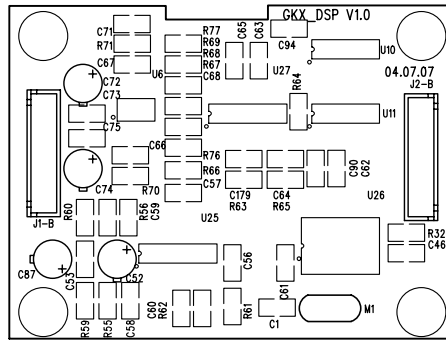


HOMNI ENTERPRISES CO.,LTD
GKX DSP V1.0 04.05.25
SILKSCREEN TOP SIDE

DRAWN:

CHECKED:

APPROVED:

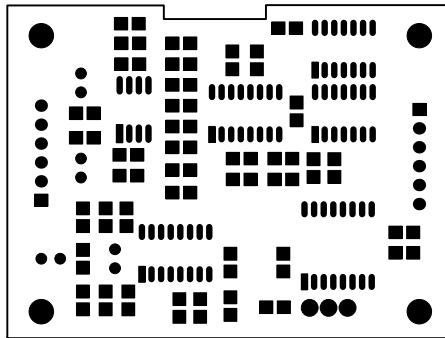


HOMNI ENTERPRISES CO.,LTD
 GKX DSP V1.0 04.05.25
 SILKSCREEN TOP SIDE

DRAWN:

CHECKED:

APPROVED:

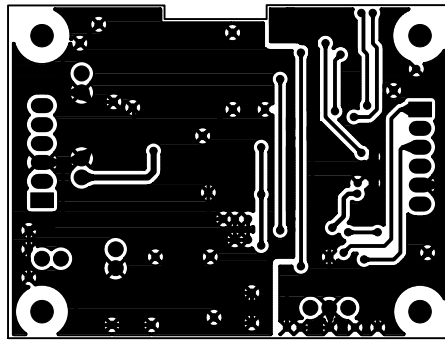


HOMNI ENTERPRISES CO.,LTD
MODELDFG V1.X YY.MM.DD
TOP SIDE

DRAWN:

CHECKED:

APPROVED:

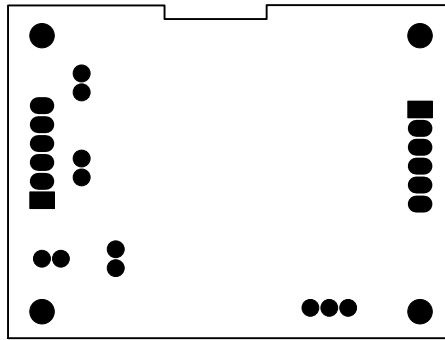


HOMMI ENTERPRISES CO.,LTD
GKX DSP V1.0 04.02.28
SILKSCREEN BOTTOM SIDE

DRAWN:

CHECKED:

APPROVED:

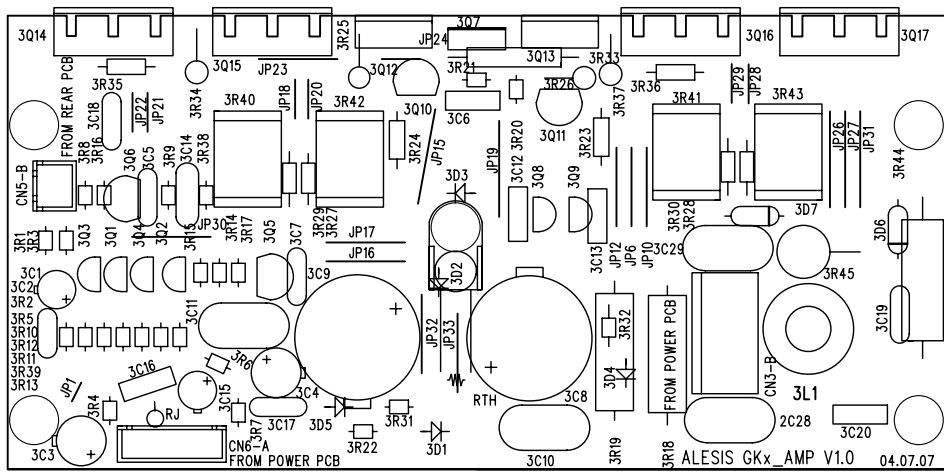


BOTTOM SIDE
GKX DSP V1.0 04.02.28
HOMNI ENTERPRISES CO.,LTD

APPROVED:

CHECKED:

DRAWN:

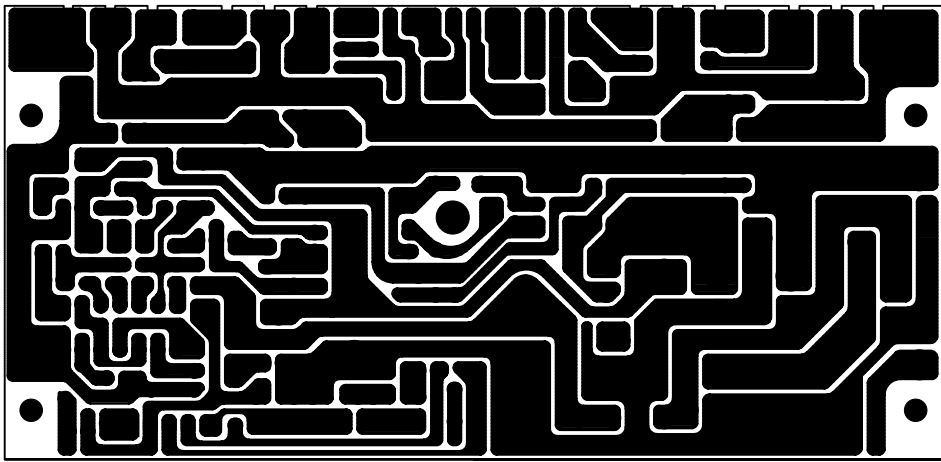


HOMNI ENTERPRISES CO.,LTD
 GKX AMP V1.0 04.07.21
 SILKSCREEN TOP SIDE

DRAWN:

CHECKED:

APPROVED:

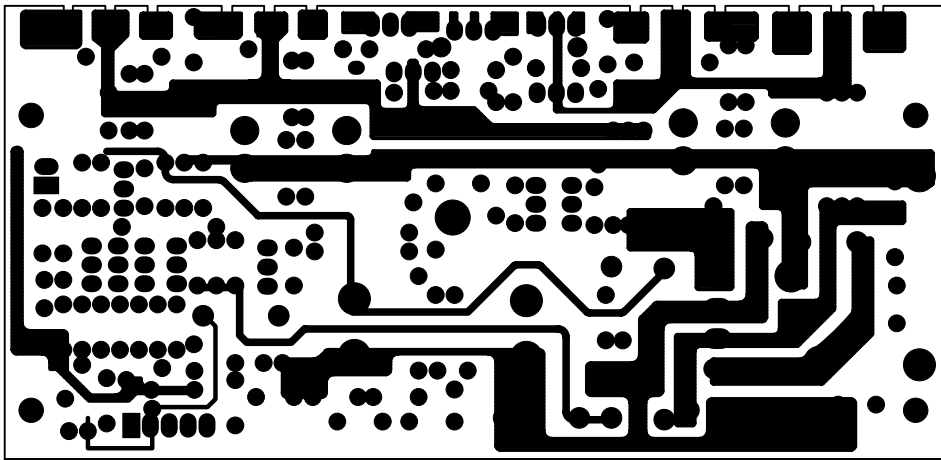


HOMNI ENTERPRISES CO.,LTD
GKX AMP V1.0 04.07.21
SILKSCREEN BOTTOM SIDE

DRAWN:

CHECKED:

APPROVED:



HOMNI ENTERPRISES CO., LTD
GKX AMP V1.0 04.07.21
BOTTOM SIDE

DRAWN:

CHECKED:

APPROVED:

ALESIS SUMO 300 (GK1)

BOM

受控BOM

表格編號: RD-QT-020-B			文件編號: RD-TD-020			頁次: 20-A/20	
版本: 1.3		機種編: AC005(GK1)		文件序號:		生效日期:	
層次	類別	編號	料號	物料名稱	規格描述	用量	位號及備註
03	E	1	YK0GK10170B0	power fuse label	GK1*110V",removing silvery dragon black bottom and silvery words	1	see the picture
			YK0GK10370B0	power fuse label	GK1*230V",removing silvery dragon black bottom and silvery words		see the picture
03	G	1	YD0GK100C900	bar code sticker	GK1,white and bright dragon,white bottom,black words(UPC A)	1	see the picture
03	G	2	YD0GK100C901	bar code sticker	GK1,white and bright dragon,white bottom and black words(UPC EAN-13)	1	see the picture
03	G	3	YB0GK100C900	S/N label	GK1,white and bright dragon,white bottom and black words	1	see the picture
03	G	4	YP00115K0000	jack label	DN-YP001,7MM*7MM,bright silvery dragon ,silvery bottom and black wire	1	see the picture(GND label 3)
02	G	1	A10000GK0080	manual	GK0/GK1, various languages.(7-51-0189-A)	1	
			A10000GAX080	manual	GAX ,various languages(7-51-0154-A)	1	
02	G	2	K11026015030	packing bag	PE,150*260*0.08mm	1	load a manual
02	G	3	K11120028030	packing bag	PE,120*280*0.08mm	1	load power cord
02	G	4	K11480052030	packing bag	PE,(480+520)*1250*0.08mm,punching	1	load sound box
02	G	5	KC00000GK050	paper plastic	GK0/GK1,have no orientation	8	see the picture
02	G	6	K90000GK1100	gift box	GK1,multicolor silk-screen(two colors)	1	see the picture
02	G	7	YB0GK100C900	S/N label	GK1,white and bright dragon,white bottom and black words	2	gift box
01	G	1	K30000GK1B00	master carton	GK1,single silk-screen(black),V1.1	1	see the picture
01	G	2	YD0GK100C900	bar code sticker	GK1,white bright dragon,white bottom and black words(UPC A)	2	see the picture,adhibit outside the master carton
01	G	3	YD0GK100C901	bar code sticker	GK1,white bright dragon,white bottom and black words(UPC EAN-13)	2	see the picture,adhibit outside the master carton
01	G	4	YB0GK100C900	S/N label	GK1,white bright dragon,white bottom and black words	2	see the picture,adhibit outside the master carton
01	G*	5	YH0GA0002400	destination label	GA0/GA1/GA2,copperplate paper,yellow bottom	6	4PCSadhibit outside master carton,2PCS adhibit on gift box
01	G	6	A50050300000	desiccant	50克,silica gel,without weaving	1	

擬制:

審核:

批准:

受控 BOM

表格編號: RD-QT-020-B			文件編號: RD-TD-020			頁次: 19/20	
版本: 1.1		機種編號: AC005 (GK1)		文件序號:		生效日期:	
層次	類別	編號	料號	物料名稱	規格描述	用量	位號及備注
03	E	1	PN2027313C00	knob cap	DN-PN2027,D16*20.57mm,ABS,electroplating,silvery	15	same as GA0
03	E	2	PE4004014W00	decarated bar	DN-PE4004,ABS,spray-paint,PANTONE 专色	2	see the picture
03	E	3	PE9003014W00	nameplate box	DN-PE9003,ABS,spray-paint,PANTONE 专色	1	same as GK0
03	E	4	PE3010030S00	plastic nameplate	DN-PE3010,PMMA,green-brown	1	same as GK1
03	E	5	MC5093070000	bottom cover	DN-MC5093,SECC,material	1	see the picture
			MC5093070270		DN-MC5093,SECC,black,baking lacquer		
			MC5093079270	bottom cover	DN-MC5093,SECC,silk-screenPANTONE 专色,black,baking lacquer		
03	E	6	MH0004010P00	heatsink	DN-MH0004,aluminous alloy,natural color	1	see the picture
03	E	7	MH3007010P00	flat panel heatsink	DN-MH3007,aluminous alloy,natural color,material	1	see the picture
03	E	8	MC2133010000	panel	DN-MC2133,aluminous alloy,material(front panel)	1	see the picture
			MC2133010270		DN-MC2133,aluminous alloy,black,baking lacquer		
			MC2133019270	panel	DN-MC2133,aluminous alloy,silk screen PANTONE 专色,black,baking lacquer		
03	E	9	MB7003060000	typeU bracket	DN-MB7003,SPCC,material	1	same as GK0
			MB7003060270		DN-MB7003,SPCC,baking black flat light		
03	E	10	PE60260D0900	plastic sheet	DN-PE6026,PC,transparent	1	same as GK0
03	E	11	MB1069206440	copper stand off	DN-MB1069,M3screw hole with M3screw pole,5.6MM+4MM	4	lock amplifier board see the picture
03	E	12	MB1032112040	copper stand off	DN-MB1032,two end M3screw hole,12MM	4	lock DSP
03	E	13	PSA10000S2M0	screw cap	品基,S-2M	2	supporting small PCB bar
03	*E	14	N10305661010	screw	M3*5mm,daisy round head,screw head D5.5mm,machinery screw	51	lock amplifier (4PCS),fan cover(4PCS),power board(4PCS),front panel(30PCS),thermistor(1PCS),DSP板(8PCS)
03	*E	14'	N10307661010	screw	M3*7mm,daisy round head,screw headD5.5mm,machinery screw,black zinc	3	crystal on power panel
03	E	15	N10310661010	screw	M3*10mm,daisy round head,screw headD5.5mm,machinery screw	5	lock small crystal and power connect
03	E	16	N10312661010	screw	M3*12mm,daisy round head,screw headD5.5mm,machinery screw	5	lock rectifier and big crystal
03	E	17	N103056A1120	screw	M3*5mm,daisy round head,screw head7.5mm,metric machine	2	GND wire
03	E	18	N10308571010	screw	M3*8mm,daisy round head,screw headD6mm,machinery screw	10	lock heatsink(bottom)
03	E	19	N10407651010	screw	M4*7mm,daisy round head,screw headD7mm,machinery screw	4	lock transformer
03	E	20	N10426298020	screw	M4*26mm,daisy round head,screw headD7mm,machinery screw	4	lock fan
03	E	21	N10306667010	screw	Φ3*6mm,daisy round head,screw headD5.5mm,sel-tapping br	6	lock XLR
03	E	23	N9083B081110	gasket	Φ8*Φ3.2*0.8mm,steel,flat washer,black zinc	5	lock big crystal and rectifier
03	E*	22	N9063B031110	gasket	Φ6*Φ3.2*0.3mm,steel,flat washer.black zinc	6	lock small crystal
03	E	24	N9073B101410	gasket	Φ7*Φ3.2*1.0mm,steel,outside tooth washer.black zinc	2	lock power connect

擬制:

審核:

批准:

受控 BOM

表格編號: RD-QT-020-B			文件編號: RD-TD-020			頁次: 20/20	
版本: 1.1		機種編號: AC005 (GK1)		文件序號:		生效日期:	
層次	類別	編號	料號	物料名稱	規格描述	用量	位號及備註
03	E	25	N9073B101430	gasket	Φ7*Φ3.2*1.0mm,steel,outside tooth washer,five color	2	lock GND wire
03	E	26	N95F3B085210	gasket	Φ5.6*Φ3.2*0.8mm,spring steel,spring washer,black zinc	11	lock small and big crystal and rectifier
03	E	27	N706032E0010	HEX nut	Φ6*M3*2.5mm,black zinc	2	lock power connect
03	F	1	X1010494A111	cabinet	DN-X10104,mid-density panel with PB,lichee husk,,black,supplying plastic vent-pipe tube and corner.inside firproof batting dacron(with grill),V1.1	1	see the picture
03	F	2	ME1002060000	corner	DN-ME1002,SPCC,material	8	same as GA0
03	F	3	PT2006310100	plastic blowing tube	DN-PT2006,145*56*83mm,ABS,black	2	same as GK0
03	F	4	PS51SRS310M0	space post	SRS3-10M,品固	4	lock crossover board
03	F	5	N104206B1010	screw	M4*20mm,daisy round head,screwD8mm,machinery scr	8	lock woofer
03	F	6	N10322669010	screw	Φ3*22mm,daisy round head,screw head,D5.5mm,self-tapping	4	lock crossover board
03	F	7	N104255B5010	screw	Φ4*25mm,daisy flat head,screw headD8mm,wood screw.black zinc	6	lock horn tweeter
03	F	8	N10425AE1010	screw	M4*25mm,daisy umbrella head,screw head D9.5mm,machiner	4	lock amplifier
03	F	9	H61A10A10A20	FOAM	10*1000*1mm,EVAE1030,single side have black adhesive	2	tweeter and woofer
02	G	12	W96024218DAB	power cord	AN-960,3C,18#,SJT,1830mm,black,携威(美规头+品字尾)	1	attachment,regulated by America,silk-screen SJT:on power cord
02			W9632D718DA8	power cord	AN-W963,3C,1.0mm2,H05VV-F,1830mm,black,明德,(法德式頭+品字尾)		attachment,regulated by Europe
02			W9622D718DA8	power cord	AN-W962,3C,1.0mm2,H05VV-F,1830mm,black 明德,(SAA頭+品字尾)		attachment,regulated by Australia
02			W9432C718DA8	power cord	AN-W943,3C,0.75mm ² ,H05VV-F,1830mm,black,明德(verticalmoulding Bshead regulated by England(5A)+品字尾)		attachment,regulated by England

擬制:

審核:

批准:

受控 BOM

表格編號: RD-QT-020-B			文件編號: RD-TD-020			頁次: 17/20	
版本: 1.1		機種編號: AC005{GK1}		文件序號:		生效日期:	
層次	類別	編號	料号	物料名称	规格描述	用量	位号及备注
03	E	1	T20075930030	annular transformer	AN-T20075,115/230V, 300W,德致	1	T1
03	*E	2	E11042SEMN70	fan	AN-E1104,DF0602012SEMN,鴻基(12V,wire leads with socket P=2.5MM,the length of wire is 300MM with grill)	1	locking on bracket typeU ,blowing towards outside
03	E	3	J010116T4250	power connect	AN-J0101,3516-T4,奇立	1	after packed then closed
03	E	4	F26A0031AL50	glass-tube fuse	6A/125V,Φ5*20MM ,super-slow melting ,low disjunctin,certified by America and Europe	1	certified by America(5TT)
03	E		F23A1541TLB0	glass-tube fuse	3.15A/250 ,5*20MM slow melting ,low disjunction,certified by America,Europe and England		certified by Europe (littelfuse 218series)
03	E	5	F704FHB02043	tube type fuse jack	AN-F704,FHB02,certified by ULCSA and VDE,璟和	1	UL,Ceattestation
03	E	6	S318KKETOF20	teeterboard switch	AN-S318,RA12KKETOF,亮群(2P,无without"I"and "O"silk screen 6A/250V)	1	boxed before packed it
03	E	7	W85340380820	muli-cored wire	20#, UL1617,10+380mm+one end punch 187terminal with transparent terminal,red,	1	fuse jack to power switch
03	E	8	W85340120720	muli-cored wire	20#, UL1617,10+120mm+one end punch 250terminal with transparent tube,red	1	power connect"L"to fuse jack
03	E	9	W4K7442150A3	socket wire	AN-W4K7,4P,18#,UL1015,150mm,black,柏盛(one end with 3960socket,one end with 3960jack)	1	CN3-A/B
03	E	10	WE08232600K3	connecting socket wire with nothing	AN-WE08,2P,16#,UL1015,600mm,black,red(one end with E120H airy connecting socket,one end peel wire 10mm).	1	AMP TO CROSOVER
03	E	11	W648142100B3	GND wire	AN-W648,18# UL1015,100mm,green and yellow,柏盛(one end punch 250terminal with tube,the other end punch Φ4.3 round terminal)	1	power connect to GND
03	E	12	H15001003100	thermer tube	Φ5*10*0.28mm,UL,black	1	cover fuse tube jack
03	E	13	H11F04004100	thermer tube	Φ15*40*0.40mm,UL,black	1	cover fuse tube jack
03	E	14	PS810AB3S3M0	fixed button	品固,AB-3S-3M	3	fixing CN1-B
03	E	15	H92510000090	strain relief	2.5*100mm,white	8	bundle cable

擬制:

審核:

批准:

試產 BOM

表格編號: RD-QT-020-B			文件編號: RD-TD-020			頁次: 18/20	
版本: 1.0		機種編號: AC005{GK1}		文件序號:		生效日期:	
層次	類別	編號	料號	物料名稱	規格描述	用量	位號及備註
03	F	1	L20935050030	1"tweeter	AN-L209,35W,8ohm,和音,(FB188X79B8-10T)(with horn,adhesive for driving head and horn supplied by vender)	1	cabinet
03	F	2	LH1024153030	15"woofer	AN-LH10,240W,8ohm,protruded cap,和音(FR385B8-12W)	1	cabinet

擬制: _____ 審核: _____ 批准: _____

受控 BOM

表格編號: RD-QT-020-B			文件編號: RD-TD-020			頁次: 16/20	
版本: V1.1		機種編號: AC005{GK1}		文件序號:		生效日期:	
层次	类别	編號	料号	物料名称	规格描述	用量	位号及备注
04-6	C	1	B1013151V010	PCB	GK1,94V0single panel,AN-B10131,green,REV:1.0, 1ounce	1	115*85mm,
04-6	C	2	Q3225410EB04	metallic polyester capacitor	2.2UF,VDC100,+/-5%,vertical column type,L=25,yellow(新立业)	1	C1
04-6	C	3	Q3685410ED04	metallic polyester capacitor	6.8UF,VDC100,+/-5%,vertical column type,L=31,yellow(新立业)	1	C2
04-6	C	4	C510RA478F16	non-polarity cap	10uF/100V,±10%,-40/+85°C,Φ10*15,P=5MM,black,新立业	1	C3
04-6	*C	5	E05010113620	bulb	E0501,12VAC,15W,Φ11*36mm,晶穩,(双尖泡)	1	LAMP
04-6	C	6	I80150681420	AIR COIL	AN-18015,0.68mH,+/-5%,力威(vertical立式,B28*10*25,diameter of wireΦ0.7MM)	1	L1,见承认书
04-6	C	7	I60400131420	magnetic core inductance	AN-16040,1.28mH,+/-5%,力威,(RQ10*40,horizontal,diameter of wireΦ0.8MM)	1	L2,见承认书
04-6	C	8	R5C8R03266E0	cements RES	15W,8Ω,丰雅,horizontal,±5%,48*12*12mm,P=32mm(高脚)	1	R1
04-6	D	1	R5D4R03267E0	cements RES	20W,4Ω,豐雅,horizontal,±5%,60*14*14mm,P=32	1	R2
04-6	D	2	W83140550420	multi-cored wire	16#,UL1007,10+550+10mm,red	1	woofer with terminal connect TO PCB W+
04-6	D	3	W83140550490	multi-cored wire	16#,UL1007,10+550+10mm,brown	1	tweeter with terminal TO PCB H+
04-6	E	1	W831405504A0	multi-cored wire	16#,UL1007,10+550+10mm,black	2	one end of woofer connect TO PCB W-;one end of tweeter connect TO PCB H-
04-6	E	2	H92510000090	strain relief	Φ2.5*120mm	2	扎电感

擬制:

審核:

批准:

受控 BOM

表格編號: RD-QT-020-B			文件編號: RD-TD-020			頁次: 12/20	
版本: 1.0			機種編號: AC005{GK1}		文件序號:		生效日期:
層次	類別	編號	料號	物料名稱	規格描述	用量	位號及備註
04-5	B	1	B1012751V020	PCB	GKX_POWER,94V0single panel,AN-B10127,green,V1.0,2ounce,	1	並板
04-5	B	2	RK0800500000	jumper	Φ0.8*5mm	1	JP44
04-5	B	3	RK0800750000	jumper	Φ0.8*7.5mm	11	JP3,8,12,15,17,22,29,31,32,40,45
04-5	B	4	RK0801250000	jumper	Φ0.8*12.5mm	9	JP1,16,18,19,23,26,37,38,39
04-5	B	5	RK0801750000	jumper	Φ0.8*17.5mm	8	JP6,7,10,21,24,25,27,28
04-5	B	6	RK0802000000	jumper	Φ0.8*20mm	4	JP11,13,42,43
04-5	B	7	R131K0006230	C/R	1/8W,1KΩ,±5%,brede style	1	3R48
04-5	B	8	R132K0006100	C/R	1/8W,2KΩ,±5%,brede style	1	3R46
04-5	B	9	R1310K006100	C/R	1/8W,10KΩ,±5%,brede style	7	3R47 3R49-50,2R9,2R10,3R54,3R56
04-5	B	10	R1320K006100	C/R	1/8W,20KΩ,±5%,brede style	2	2R1,3R57
04-5	B	11	R1315K006100	C/R	1/8W,15KΩ,M±5%,brede style	1	3R59
04-5	B	12	R1347K006100	C/R	1/8W,47KΩ,±5%,brede style	1	2R2
04-5	B	13	R1356K006100	C/R	1/8W,56KΩ,±5%,brede style	1	3R51,3R52
04-5	B	14	R13150K06100	C/R	1/8W,150KΩ,±5%,brede style	2	2R7-8
04-5	B	15	R13180K06100	C/R	1/8W,180KΩ,±5%,brede style	1	3R55
04-5	B	16	R13220K06100	C/R	1/8W,220KΩ,±5%,brede style	1	3R53
04-5	B	17	R141K0006250	C/R	1/4W,1KΩ,±5%,brede style	1	3R67
04-5	B	18	R233K9004100	M/O	1/8W,3.9KΩ,±1%,brede style	1	2R11
04-5	B	19	R235K6004100	M/O	1/8W,5.6KΩ,±1%,brede style	1	2R5
04-5	B	20	R238K6604100	M/O	1/8W,8.66KΩ,±1%,brede style	1	2R6
04-5	B	21	R2312K004100	M/O	1/8W,12KΩ,±1%,brede style	1	2R4

擬制:

審核:

批准:

受控 BOM

表格編號: RD-QT-020-B			文件編號: RD-TD-020			頁次: 13/20	
版本: 1.0		機種編號: AC005{GK1}		文件序號:		生效日期:	
層次	類別	編號	料號	物料名稱	規格描述	用量	位號及備註
04-5	B	22	R3539R006100	metallic polyester capacitor	1/2W,39Ω,±5%,brede style	1	3R66
04-5	B	23	Q11042556011	C/C	104,VDC50,+80/-20%,Y5V,vertical basin type.brede style.brown	6	3C40,3C42,3C32-33 3C36-37
04-5	B	24	Q11044556011	C/C	104,VDC100,+80/-20%,Y5V,vertical basin type.brede style and grown	5	3C45-49
04-5	B	25	Q3104410A014	metallic polyester capacitor	104,VDC100,+/-5%,vertical box type.brede style,yellow	2	C1,C2
04-5	B	26	U1815GR01130	NPN TR	2SC1815GR,TO-92side-pin moulding brede style,TOSHIBA	6	2Q1 2Q3,2Q5,2Q4,2Q7,2Q8
04-5	B	27	U1015GR01130	PNP TR	2SA1015GR,TO-92side-pin moulding brede style,TOSHIBA	2	2Q2,2Q6
04-5	B	28	U1T103R01000	NPN TR	2SC2061T103R-T,TO-92side-pin moulding brede style	2	3Q18-19
04-5	B	29	D3C112V00100	zener diode	SOD-27,1/2W,12V,1N5242B,brede style	1	3Z1,
04-5	B	30	D3D213V00100	zener diode	DO-41,1W,13V,1N4743,brede style	1	1Z3
04-5	B	31	D3C13V300100	zener diode	SOD-27,1/2W,3.3V,brede style	1	1Z1
04-5	B	32	D1CN41480100	diode	DO-35,1N4148,,brede style	6	2D1,2D3,2D4,3D8,3D10,2D2
04-5	B	33	D1GN40040100	diode	D-41,1N4004,brede style	10	1D3-6 1D8-11 D1,D2
04-5	C	1	R361K0006270	MO/R	1W,1KΩ,±5%,horizontal,P=15mm	1	3R69
04-5	C	2	R3710R006283	MO/R	2W,10Ω,±5%,horizontal,P=17.5mm,H=10MM	1	3R68
04-5	C	3	R3975R006500	MO/R	5W,75Ω,±5%,vertical	1	3R58,H=10MM
04-5	C	4	Q31047108G26	metallic polyester capacitor	104,VDC250,+/-5%,vertical adhesive type,P=10mm,cutting the pin to be 6MM,blue	2	3C28,3C29
04-5	C	5	Q8104320AJ24	X2approved capacitor	104,VAC275,+/-10%,vertical box type,P=15mm,cutting the pin to be 6MM,yellow,華倫	1	CX
04-5	C	6	C110R7736C10	E/C	10uF/50V,,±20%,-40/+85°C,,Φ5*11mm,P=2mm,black,cutting the pin to be 6MM	1	3C41
04-5	C	7	C11R07736C10	E/C	1uF/50V,±20%,-40/+85°C,,Φ5*11mm,P=2mm,black,cutting the pin to be 6MM	3	2C1,2C2,3C23

擬制:

審核:

批准:

受控 BOM

表格編號: RD-QT-020-B			文件編號: RD-TD-020			頁次: 14/20	
版本: 1.0		機種編號: AC005{GK1}		文件序號:		生效日期:	
層次	類別	編號	料號	物料名稱	規格描述	用量	位號及備註
04-5	C	8	C11R0A736C10	E/C	1uF/100V,±20%,- 40/+85°C,,Φ5*11mm,P=2mm,black,cutting the pin to be 6MM	1	3C22
04-5	C	9	C122R7736C10	E/C	22uF/50V,±20%,- 40/+85°C,,Φ5*11mm,P=2mm,black,cutting the pin to be 6MM	1	3C21
04-5	C	10	C147R5736C10	E/C	47uF/25V,±20%,- 40/+85°C,,Φ5*11mm,P=2mm,black,cutting the pin to be 6MM	1	3C19
04-5	C	11	C14716878F10	E/C	470uF/35V,±20%,- 40/+105°C,Φ10*16,P=5mm,black,cutting the pin to be 6MM	1	3C38
04-5	C	12	C11015736C10	E/C	100uF/25V,±20%,- 40/+85°C,Φ5*11m,P=2.0mm,black,cutting the pin to be 6MM	2	3C52,3C54,
04-5	C	13	C12214756D10	E/C	220uF/16V,±20%,- 40/+85°C,Φ6.3*11mm,P=2.5mm ,black,cutting the pin to be 6MM	3	3C51,3C53,3C18
04-5	C	14	C14716878F10	E/C	470uF/35V,±20%,- 40/+105°C,Φ10*16,P=5mm,black,cutting the pin to be 6MM	1	3C38
04-5	C	15	C12215866E10	E/C	220uF/25V,±20%,- 40/+105°C,Φ8*12mm,P=3.5mm ,black,cutting the pin to be 6MM	2	3C35,3C24
04-5	C	16	C1102688AF10	E/C	1000uF/35V,±20%,- 40/+105°C,Φ13*26mm,P=5mm,black,cuttin g the pin to be 6MM	1	3C50
04-5	C	17	C1222689BG10	E/C	2200uF/35V,±20%,- 40/+105°C,Φ16*27mm,P=7.5mm,black,cut ting the pin to be 6MM	2	3C30-31
04-5	C	18	C1682J7GNH12	E/C	6800uF/120V,±20%,- 40/+85°C,Φ40*60mm,P=10mm,black,cutting the pin to be 6MM冠坤	2	3C26-27
04-5	*C	19	U8M393N09060	IC	LM393N,DIP8,ST	1	U4
04-5	C	20	JP4013202130	JACK	AN-JP401,2532- 02,柏盛(180degree,P=2.5mm)	1	2J1
04-5	C	21	JP4023202150	JACK	AN-JP402,2532- 02,冠福(180degree,P=2.5mm)		
04-5	C	22	JP4033202160	JACK	AN-JP403,2532- 02,洪揚(180degree,P=2.5mm)		
04-5	C	23	JP4106103130	JACK	AN-JP410,3961- 03,柏盛(P=3.96mm,180degree)	1	CN2-B
04-5	C	24	JP4116103150	JACK	AN-JP411,3961- 03,冠福(P=3.96mm,180度)		
04-5	C	25	JP4126103160	JACK	AN-JP412,3961- 03,洪揚(P=3.96mm,180degree)		

擬制:

審核:

批准:

受控 BOM

表格編號: RD-QT-020-B			文件編號: RD-TD-020			頁次: 15/20	
版本: 1.0		機種編號: AC005{GK1}		文件序號:		生效日期:	
層次	類別	編號	料號	物料名稱	規格描述	用量	位號及備註
04-5	C	26	JP4106104130	JACK	AN-JP410,3961-04,柏盛(P=3.96mm,180degree)	1	CN3-B
04-5	C	27	JP4116104150	JACK	AN-JP411,3961-04,冠福(P=3.96mm,180degree)		
04-5	C	28	JP4126104160	JACK	AN-JP412,3961-04,洪揚(P=3.96mm,180degree)		
04-5	C	29	JP4138104130	JACK	AN-JP413,5081-04,柏盛 (P=5.08MM,180degree)	2	120V ,230V
04-5	C	30	JP4258104160	JACK	AN-JP425,GY5081-04,洪揚(P=5.08MM,180degree)		
04-5	C	31	JP4013205130	JACK	AN-JP401,2532-05,柏盛(180degree,P=2.5mm)	2	CN1-B CN6-B
04-5	C	32	JP4023205150	JACK	AN-JP402,2532-05,冠福(180degree,P=2.5mm)		
04-5	C	33	JP4033205160	JACK	AN-JP403,2532-05,洪揚(180degree,P=2.5mm)		
04-5	C	34	JP4033206160	JACK	AN-JP403,2532-06,洪揚(180degree,P=2.5mm)	1	CN4-B
04-5	C	35	JP4013206130	JACK	AN-JP401,2532-06,柏盛(180degreeP=2.5mm)		
04-5	C	36	JP4023206150	JACK	AN-JP402,2532-06,冠福(180degree,P=2.5mm)		
04-5	D	1	U8815CV03060	IC	L7815CV,TO220,ST	1	U1
04-5	D	2	U8915CV03060	IC	L7915CV,TO220,ST	1	U2
04-5	D	3	U8805CV03060	IC	L7805CV,TO220,ST	1	U3
04-5	D	4	D21RS8027000	rectifier	DIP,RS802,虹揚	1	1D2
04-5	D	5	G02SFSS1G510	relay	AN-G02,SF-SS-112DM,16A,12VDC,國興	1	K1 (需UL,CE认证)
04-5	D	6	H21001503090	fiber cannula	Φ1*15*0.3mm, white	8	for covering resistor 3R58,3R66,3R68-69
04-5	D	7	WE07232320C3	connecting socket wire with nothing	AN-WE07,2P,16#,UL1015,320mm,red and black(one end with E020H(without ear)airly connecting jack,one end peel wire 10mm).	1	AMP_OUT+/-
04-5	E	1	H51D018101A0	mica sheet	13*18*0.1mm,without adhesive,having one	3	墊U1,U2,U3
04-5	E	2	PSF10602MV00	insulator	品固:602M-V0	3	U1,U2,U3

擬制:

審核:

批准:

受控 BOM

表格編號: RD-QT-020-B			文件編號: RD-TD-020			頁次: 9/20	
版本: 1.0		機種編號: AC005{GK1}		文件序號:		生效日期:	
層次	類別	編號	料號	物料名稱	規格描述	用量	位號及備注
04-4	B	1	B1012651V020	PCB	GKX_AMP,94V0 single pange,AN-B10126,green, V1.0,2ounce	1	
04-4	B	2	RK0800500000	jumper	Φ0.8*5mm	1	JP1
04-4	B	3	RK0800750000	jumper	Φ0.8*7.5mm	7	JP18,20,21,22,24,28,29
04-4	B	4	RK0801250000	jumper	Φ0.8*12.5mm	9	JP6,10,12,16,17,23,30,32,33
04-4	B	5	RK0801500000	jumper	Φ0.8*15mm	5	JP15,19,26,27,31
04-4	B	6	R1347R006100	C/R	1/8W,47Ω,±5%,brede style	4	3R10-13
04-4	B	7	R1382R006100	C/R	1/8W,82Ω,±5%,brede style	2	3R16-17
04-4	B	8	R13510R06100	C/R	1/8W,510Ω,±5%,brede style	1	3R21
04-4	B	9	R13680R06100	C/R	1/8W,680Ω,±5%,brede style	4	3R27-30
04-4	B	10	R131K0006100	C/R	1/8W,1KΩ,±5%,brede style	4	3R8-9 3R14-15
04-4	B	11	R132K4006100	C/R	1/8W,2.4KΩ,±5%,brede style	1	3R20
04-4	B	12	R132K7006100	C/R	1/8W,2.7KΩ,±5%,brede style	2	3R4 3R7
04-4	B	13	R135K1006100	C/R	1/8W,5.1KΩ,±5%,brede style	2	3R5-6
04-4	B	14	R1310K006100	C/R	1/8W,10KΩ,±5%,brede style	2	3R3 3R22
04-4	B	15	R1315K006100	C/R	1/8W,15KΩ,M±5%,brede style	2	3R31-32
04-4	B	16	R1368K006100	C/R	1/8W,68KΩ,±5%,brede style	1	3R2
04-4	B	17	R1410R006100	C/R	1/4W,10Ω,±5%,brede style	2	3R36,3R35
04-4	B	18	R14270R06100	C/R	1/4W,270Ω,±5%,brede style	2	3R23-24
04-4	B	19	R23330R04100	M/O	1/8W,330Ω,±1%,brede style	1	3R39
04-4	B	20	R232K2004100	M/O	1/8W,2.2KΩ,±1%,brede style	1	3R1
04-4	B	21	R2311K004100	M/O	1/8W,11KΩ,±1%,brede style	1	3R38
04-4	B	22	R3720R006383	metallic polyester ca	2W,20Ω,±5%,,machining horizontal typeK pin,P=17.5mm,H=10mm	2	3R18-19
04-4	B	23	D1CN41480100	diode	DO-35,1N4148,brede style	5	3D1~3D5
04-4	B	24	D1GN40040100	diode	D-41,1N4004,brede style	2	3D6,3D7,P=10MM
04-4	C	1	R15220R06500	C/R	1/2W,220Ω,±5%,vertical	1	3R33,P=18MM

擬制:

審核:

批准:

受控 BOM

表格編號: RD-QT-020-B			文件編號: RD-TD-020			頁次: 10/20	
版本: 1.0		機種編號: AC005{GK1}		文件序號:		生效日期:	
層次	類別	編號	料號	物料名稱	規格描述	用量	位號及備註
04-4	C	2	R1310R006410	C/R	1/8W,10Ω,±5%,vertical,P=2.5MM,cutting the pin to be 6MM	1	RJ
04-4	C	3	R1410R006420	C/R	1/4W,10Ω,±5%,vertical,P=5MM,cutting the pin to be6MM	2	3R34 , 3R37
04-4	C	4	R1447R006420	C/R	1/4W,47Ω,±5%,vertical,P=5MM,cutting the pin to be6MM	2	3R25-26
04-4	C	5	R3710R006440	metallic polyester capacitor	2W,10Ω, ±5%,vertical,P=7.5mm,cutting the pin to be6MM	1	3R45
04-4	C	6	Q10054116011	C/C	5PF,VDC100,+/-5%,NPO,vertical basin type,brede style.brown	1	3C14
04-4	C	7	Q10222116011	C/C	22PF,VDC50,+/-5%,NPO,vertical basin type,brede style.brown	2	3C5 3C7
04-4	C	8	Q11022286011	C/C	102,VDC50,+/-10%,Y5P,vertical basin type,brede style.brown	1	3C2
04-4	C	9	Q11044556011	C/C	104,VDC100,+80/-20%,Y5V,vertical basin type,brede style.brown	1	3C17
04-4	C	10	Q3104410A014	metallic polyester capacitor	104,VDC100,+/-5%,vertical box type,brede style,yellow	1	3C20
04-4	C	11	Q3472310A014	metallic polyester capacitor	472,VDC63,+/-5%,vertical box type,brede style,yellow	2	3C12-13
04-4	C	12	Q3104310A014	metallic polyester capacitor	104,VDC63,+/-5%,vertical box type,brede style ,yellow	3	3C6 3C16 3C20
04-4	C	13	Q31047108G26	metallic polyester capacitor	104,VDC250,+/-5%,vertical adhesive type,P=10mm,cutting the pin to be 6MM,blue	2	3C10-11
04-4	C	14	C222R7832C10	superminiature E/C	22uF/50V,±20%,- 40/+105°C,Φ5*7mm,P=2.0mm,black,cutting the pin to be 6MM	1	3C1
04-4	C	15	C11014736C10	E/C	100uF/16V,±20%,- 40/+85°C,φ5*11mm,P=2mm,black,cutting the pin to be 6MM	1	3C15
04-4	C	16	C12214856D10	E/C	220uF/16V,±20%,- 40/+105°C,Φ6.3*11mm,P=2.5mm,black.cutting the pin to be 6MM	2	3C3-4
04-4	C	17	U1C342102130	NPN TR	2SC3421,TO-126plastic envelope,TOSHIBA	1	3Q7
04-4	C	18	U2A194312130	PNP TR	2SA1943,TOP-3L,TOSHIBA	2	3Q14-15
04-4	C	19	U2PSA9201000	PNP TR	MPSA92,TO-92 side-pin moulding	2	3Q1-2
04-4	C	20	U1PSA4201000	NPN TR	MPSA42,TO-92side-pin moulding	2	3Q3-4
04-4	C	21	U1815GR01130	NPN TR	2SC1815GR,TO-92side-pin moulding,TOSHIBA	1	3Q9

擬制:

審核:

批准:

受控 BOM

表格編號: RD-QT-020-B			文件編號: RD-TD-020			頁次: 11/20	
版本: 1.0		機種編號: AC005{GK1}		文件序號:		生效日期:	
層次	類別	編號	料號	物料名稱	規格描述	用量	位號及備註
04-4	C	22	U2015GR01130	PNP TR	2SA1015GR,TO-92side-pin moulding,TOSHIBA	1	3Q8
04-4	C	23	U13206Y01050	NPN TR	C3206Y,TO92side-pin moulding,KEC	2	3Q5 3Q11
04-4	C	24	U21024Y01050	PNP TR	A1024Y,TO-92side-pin moulding,KEC	2	3Q6 3Q10
04-4	C	25	JP4106104130	JACK	AN-JP410,3961-04,柏盛(P=3.96mm,180degree)	1	CN3-B
04-4	C	26	JP4116104150	JACK	AN-JP411,3961-04,冠福(P=3.96mm,180degree)		
04-4	C	27	JP4126104160	JACK	AN-JP412,3961-04,洪揚(P=3.96mm,180degree)		
04-4	D	1	R384R70062B3	MO/R	3W,4.7Ω,±5%,horizontal,P=25mm,H=10MM	1	3R44
04-4	D	2	R59R15246A20	cement RES	5W,0.15Ω,華盛,vertical,±5%,13*10*25mm,P=5mm	4	3R40-43
04-4	D	3	R9020K506203	thermistor	20K,宏儿,±5%,NTC,withΦ4.3MMstator	1	RTH
04-4	D	4	C1101B89BC10	E/C	100uF/160V,±20%,-40/+105°C,φ16*26mm,P=2mm,black	2	3C8-9
04-4	D	5	U1C520012130	NPN TR	2SC5200,TOP-3L,TOSHIBA	2	3Q16-17
04-4	D	6	U1C479303130	NPN TR	2SC4793,TO-220plastic envelope,TOSHIBA	1	3Q13
04-4	D	7	U2A183703130	PNP TR	2SA1837,TO-220plastic envelope,TOSHIBA	1	3Q12
04-4	D	8	H21001503090	fibre tube	Φ1*15*0.3mm, white	7	
04-4	D	9	I800801U2920	AIR COIL	AN-I8008,1.2uH,+/-30%,力威,LW-4767	1	3L1
04-4	D	10	W541279140K4	shield wire	AN-W541,2P,24#,UL2725,140mm.gray(GND wire is red),宏揚(one end punch 2530socket,one end punch SCNjack)	1	CN5-B
04-4	D	11	W143561240K3	ribbon wire	AN-W143,5P,22#,UL1007,240mm,red,black,red,black,red,柏盛(one end punch 2530socket,one end punch 2520jack)	1	CN6-A
04-4	E	1	H52C028101A0	mica sheet	22*28*0.1mm,without adhesive,having one hole,transparent	4	墊大晶體.

擬制:

審核:

批准:

受控 BOM

表格編號: RD-QT-020-B			文件編號: RD-TD-020			頁次: 8/20	
版本: 1.2		機種編號: AC005{GK1}		文件序號:		生效日期:	
層次	類別	編號	料號	物料名稱	規格描述	用量	位號及備註
04-3	*A	1	B2010551V120	PCB	GKX_DSP,FR4single panel,AN-B20105,green V1.1 ,2ounce	1	
04-3	A	2	R62100R06300	SMT resistor	1/10W,100Ω,±5%,0805	1	R64
04-3	A	3	R62330R06300	SMT resistor	1/10W,330Ω,±5%,0805	4	R61-63 R65
04-3	A	4	R6220K006300	SMT resistor	1/10W,20KΩ,±5%,0805	10	R66-71 R76-77 R55-56
04-3	A	5	R6210K006300	SMT resistor	1/10W,10KΩ,±5%,0805	3	R59-R60,R32
04-3	A	6	Q5181211301A	SMT ceramic capacitor	181,VDC50,+/-5%,NPO,0805,brede style	4	C66-68 C71
04-3	A	7	Q5471223301A	SMT ceramic capacitor	471,VDC50,+/-10%,X7R,0805,brede style	1	C179
04-3	A	8	Q5102223301A	SMT ceramic capacitor	102,VDC50,+/-10%,X7R,0805,brede style	2	C58-59
04-3	*A	9	Q5104223301A	SMT ceramic capacitor	104,VDC50,+/-10%,X7R,0805,brede style	14	C73 C75 ,C60-62 C53 C56-57 C63-65.C90,C94,C1
04-3	*A	9'	C31R07436C30	low-leakage E/C	1uF/50V,±10%,-40/+85°C,Φ5*11mm, P=2.0mm,orange,cutting the pin for 6mm	1	C46
04-3	A	10	U84580M39070	IC	NJM4580M,DMP8,JRC	1	U6
04-3	A	11	U8L110118330	IC	AL1101,SOP16,ALESIS	1	U25
04-3	A	12	U8L120118330	IC	AL1201,SOP16,ALESIS	1	U27
04-3	A	13	U83201B68330	IC	AL3201B,SOIC16,ALESIS	1	U26
04-3	A	14	U8CT00D01150	IC	74HCT00D,SOP14,PHILIPS	1	U10
04-3	A	15	U8HC04D01150	IC	74HC04D,SOP14,PHILIPS	1	U11
04-3	C	1	C210R7732C10	superminiature E/C	10uF/50V,±20%,-40/+85°C,Φ5*7mm,P=2.0mm,black,cutting the pin for 6MM	2	C72 C74
04-3	C	2	C222R5732C10	superminiature E/C	22uF/25V,±20%,-40/+85°C,Φ5*7mm,P=2.0mm,black,cutting the pin for 6MM	1	C52
04-3	C	3	C247R5732C10	superminiature E/C	47uF/25V,±20%,-40/+85°C,Φ5*7mm,P=2.0mm,black.cutting the pin for 6MM	1	C87
04-3	C	4	O30512318300	ceramic oscillator	AN-O305,12MHz,ZTT,30PF	1	M1
04-3	D	1	JP3245385110	slot connect	AN- JP324, PH2.54,1*6P*2,L23.5/3./8.5,維峰(6P, P=2.54 ,180degree)	2	J1-B,J2-B

擬制:

審核:

批准:

受控 BOM

表格編號: RD-QT-020-B			文件編號: RD-TD-020			頁次: 4/20	
版本: 1.0		機種編號: AC005{GK1}		文件序號:		生效日期:	
層次	類別	編號	料號	物料名稱	規格描述	用量	位號及備注
04-2	B	1	B1012951V010	PCB	GK1_REAR,94V0 single panel,AN-B10129,green,V1.0,1ounce	1	
04-2	B	2	RK0800500000	jumper	Φ0.8*5mm	6	JP35.36.53.54.55.56
04-2	B	3	RK0800750000	jumper	Φ0.8*7.5mm	17	JP34,37,39~43,45~52,60,61
04-2	B	4	RK0801000000	jumper	Φ0.8*10mm	32	J2~31,38,44
04-2	B	5	RK0801250000	jumper	Φ0.8*12.5mm	1	JP59
04-2	B	6	RK0801500000	jumper	Φ0.8*15mm	1	JP58
04-2	B	7	RK0801750000	jumper	Φ0.8*17.5mm	1	JP57
04-2	B	8	RK0802000000	jumper	Φ0.8*20mm	1	JP1
04-2	B	9	R1368R006100	C/R	1/8W,68Ω,±5%,brede style	1	RH5
04-2	B	10	R1375R006100	C/R	1/8W,75Ω,±5%,brede style	2	R41,R48
04-2	B	11	R13100R06100	C/R	1/8W,100Ω,±5%,brede style	4	R16-17 R33-34
04-2	B	12	R131K5006100	C/R	1/8W,1.5KΩ,±5%,brede style	1	1R18
04-2	B	13	R132K2006100	C/R	1/8W,2.2KΩ,±5%,brede style	5	R39,R46,1R17,R49,R42
04-2	B	14	R135K1006100	C/R	1/8W,5.1KΩ,±5%,brede style	1	RH9
04-2	B	15	R136K2006100	C/R	1/8W,6.2KΩ,±5%,brede style	1	RH12
04-2	B	16	R1312K006100	C/R	1/8W,12KΩ,±5%,brede style	1	RH1
04-2	B	17	R1375K006100	C/R	1/8W,75KΩ,±5%,brede style	1	RH2
04-2	B	18	R1310M006100	C/R	1/8W,10MΩ,±5%,brede style	1	RH7
04-2	B	19	R1410R006250	C/R	1/4W,10Ω,±5%,brede style	4	R50 R103-104,R43
04-2	B	20	R23100R04100	M/O	1/8W,100Ω,±1%,brede style	1	R44
04-2	B	21	R234K9904100	M/O	1/8W,4.99KΩ,±1%,brede style	1	RH14
04-2	B	22	R2329K404100	M/O	1/8W,29.4KΩ,±1%,brede style	1	RH13
04-2	B	23	R23100K04100	M/O	1/8W,100KΩ,±1%,brede style	3	R18 R36,RH8
04-2	B	24	R2347R004100	M/O	1/8W,47Ω,±1%,brede style	1	1R46
04-2	B	25	R23681R04100	M/O	1/8W,681Ω,±1%,brede style	2	1R7-8
04-2	B	26	R231K0004100	M/O	1/8W,1K,±1%,brede style	4	R51-52,R40,1R9
04-2	B	27	R233K0104100	M/O	1/8W,3.01KΩ,±1%,brede style	2	1R13,1R14
04-2	B	28	R233K3204100	M/O	1/8W,3.32KΩ,±1%,brede style	2	1R5-6
04-2	B	29	R237K5004100	M/O	1/8W,7.5KΩ,±1%,brede style	3	1R11 1R15-16

擬制:

審核:

批准:

受控 BOM

表格編號: RD-QT-020-B			文件編號: RD-TD-020			頁次: 5/20	
版本: 1.0		機種編號: AC005{GK1}		文件序號:		生效日期:	
層次	類別	編號	料號	物料名稱	規格描述	用量	位號及備注
04-2	B	30	R2310K004100	M/O	1/8W,10KΩ,±1%,brede style	3	R45,3R2,3R3
04-2	B	31	R2310K004100	M/O	1/8W,10KΩ,±1%,brede style	25	1R28-29,1R37-38,2R1-2,2R8-9,1R39,1R41,2R3,3R7,4R3,4R7,4R10,2R7,2R10,R38,3R1,3R5,3R9,4R1-2,4R8-9,
04-2	B	32	R24100R04100	M/O	1/4W,100Ω,±1%,brede style	1	R37
04-2	B	33	R2410K004100	M/O	1/4W,10kΩ,±1%,brede style	2	1R27 1R36
04-2	B	34	Q12012116011	C/C	201,VDC50,+/-5%,NPO,vertical basin type,brede style,brown	16	1C7 1C33-34 1C59 2C5-8,3C5-8 4C5-8
04-2	B	35	Q11012116011	C/C	101,VDC50,+/-5%,NPO,vertical basin type,brede style,brown	1	CH5
04-2	B	36	Q12212116011	C/C	221,VDC50,+/-5%,NPO,vertical basin type,brede style,brown	2	1C9-10
04-2	B	37	Q14712286011	C/C	471,VDC50V,+/-10%,Y5Pvertical basin type,brede style,brown	18	1C5-6 1C18-19 2C1-4 C12 C24,3C1-4 4C1-4
04-2	B	38	Q15612286011	C/C	561,VDC50,+/-10%,Y5P,vertical basin type,brede style,brown	2	C33,C36
04-2	B	39	Q11022286011	C/C	102,VDC50,+/-10%,Y5P,vertical basin type,brede style,brown	6	1C1-2,C27,C31,C37,C54
04-2	B	40	Q11032286011	C/C	103,VDC50,+/-10%,Y5P,vertical basin type,brede style,brown	2	C47,C55
04-2	*B	41	Q11042556011	C/C	104,VDC50,+80/-20%,Y5V,vertical basin type,brede style,brown	25	1C23-26 2C18-19 C38-39 C50-51 CG1-6,3C9,3C18-19 4C18-19,CH7-CH10
04-2	B	42	Q3104310A014	metallic polyester capacitor	104,VDC63,+/-5%,vertical box type,brede style.yellow	2	C28 C32
04-2	B	43	Q3224310A014	metallic polyester capacitor	224,VDC63,+/-5%,vertical box type,brede style.yellow	3	CH1.2.3
04-2	B	44	D1CN41480530	diode	DO-35,1N4148,brede style	1	D6
04-2	C	1	R133K9006410	C/R	1/8W,3.9KΩ,±5%,vertical,P=2.5MM,cutting the pin to be 6MM	1	RH3
04-2	C	2	R13560K06410	C/R	1/8W,560KΩ,±5%,vertical,P=2.5MM,cutting the pin to be 6MM	2	RH10.RH11
04-2	C	3	R23120R04410	M/O	1/8W,120Ω,±1%,vertical,P=2.5mm,cutting the pin to be 6MM	1	1R40
04-2	C	4	R231K0004410	M/O	1/8W,1KΩ,±1%,vertical,P=2.5mm,cutting the pin to be 6MM	1	R47

擬制:

審核:

批准:

受控 BOM

表格編號: RD-QT-020-B			文件編號: RD-TD-020			頁次: 6/20	
版本: 1.0		機種編號: AC005{GK1}		文件序號:		生效日期:	
層次	類別	編號	料號	物料名稱	規格描述	用量	位號及備註
04-2	C	5	R231K0004420	M/O	1/8W,1KΩ,±1%,立式,P=5mm,cutting the pin to be 6MM	1	1R10
04-2	C	6	R237K5004410	M/O	1/8W,7.5KΩ,±1%,立式,P=2.5mm,cutting the pin to be6MM	1	1R12
04-2	C	7	R2310K004410	M/O	1/8W,10KΩ,±1%,立式,P=2.5mm,cutting the pin to be6MM	8	RH15,RH4,3R10,2R4,RH16,RH6,4R4,3R4
04-2	C	8	C247R5732C10	superminiature E/C	47uF/25V,±20%,-40/+85°C,Φ5*7mm,P=2.0mm,black,cutting the pin to be6MM	1	1C4
04-2	C	9	C110R5736C10	E/C	10uF/25V,±20%,-40/+85°C,Φ5*11mm,P=2mm,black,cutting the pin to be6MM	3	C48 -49,CH6
04-2	C	10	C147R5736C10	E/C	47uF/25V,±20%,-40/+85°C,Φ5*11mm,P=2mm,black,cutting the pin to be6MM	8	1C3,1C48 C11 C23 C25 C29 ,CH4,CH11
04-2	C	11	C11014736C10	E/C	100uF/16V,±20%,-40/+85°C,Φ5*11mm,P=2mm,black,cutting the pin to be6MM	2	C34-35
04-2	C	12	C12213736C10	E/C	220uF/10V,±20%,-40/+85°C,Φ5*11mm,P=2mm,black,cutting the pin to be6MM	2	C26.C30
04-2	C	13	C11024K68E10	E/C	1000UF/10V,-10/+30%,-40/+85°C,Φ 8 *16mm,P=3.5mm,black,cutting the pin to be6MM	1	1C11
04-2	C	14	U84580L14070	IC	NJM4580L,SIP8,JRC	8	U4 1U1-2 2U1,3U1,4U1,U5,U9
04-2	C	15	U2N440301000	PNP TR	2N4403,TO-92 side pin moulding	4	1Q1-4
04-2	C	16	D1CN41480410	diode	DO-35,1N4148,vertical,P=2.5MM,cutting the pin to be6MM	5	D1-5
04-2	C	17	U5N700001000	channel N MOStube	2N7000,TO-92 side pin moulding	1	Q1
04-2	C	18	JP4013202130	jack	AN-JP401,2532-02,柏盛(180degree,P=2.5mm)	1	CN5-A
04-2	C	19	JP4023202150	jack	AN-JP402,2532-02,冠福(180degree,P=2.5mm)		
04-2	C	20	JP4033202160	jack	AN-JP403,2532-02,洪扬(180degree,P=2.5mm)		
04-2	C	21	JP4063305160	jack	AN-JP406,2533-05,洪扬(90degree,P=2.5mm)	1	CN3-B
04-2	C	22	JP4043305130	jack	AN-JP404,2533-05,柏盛(90degree,P=2.5mm)		
04-2	C	23	JP4053305150	jack	AN-JP405,2533-05,冠福(90degree,P=2.5mm)		
04-2	C	24	JP4063308160	jack	AN-JP406,2533-08,洪扬(90degree,P=2.5mm)	1	CN1-A

擬制:

審核:

批准:

受控 BOM

表格編號: RD-QT-020-B			文件編號: RD-TD-020			頁次: 7/20	
版本: 1.0		機種編號: AC005{GK1}		文件序號:		生效日期:	
層次	類別	編號	料號	物料名稱	規格描述	用量	位號及備注
04-2	C	25	JP4043305130	jack	AN-JP404,2533-05,柏盛(90degree,P=2.5mm)	1	CN6-A
04-2	C	26	JP4053305150	jack	AN-JP405,2533-05,冠福(90degree,P=2.5mm)		
04-2	C	27	JP4063305160	jack	AN-JP406,2533-05,洪揚(90degree,P=2.5mm)		
04-2	D	1	J03255I10020	6.35socket	AN-J0325,5I10,一品	11	1J1-2 2J1-2 J3,J4-5,3J1-2 4J1-2
04-2	D	2	J0811P01B010	XLRsocket	AN-J0811,SP-01B(正威) 180degree leads pin	1	1J3
04-2	D	3	J0812P01A010	XLRjack	AN-J0812,SP-01A(正威) 180degree leads pin	2	J1-2
04-2	D	4	W647142180B3	GND wire	AN-W647,18# UL1015,180mm,gree and yellow,柏盛(one end peel husk 5mm,one end punch Φ4.3round terminal)	1	CGND

擬制:

審核:

批准:

受控 BOM

表格編號: RD-QT-020-B			文件編號: RD-TD-020			頁次: 1/20	
版本: 1.0			機種編號: AC005{GK1}		文件序號:		生效日期:
層次	類別	編號	料號	物料名稱	規格描述	用量	位號及備註
04-1	B	1	B1012851V010	PCB	GK1_FRONT,94V0 single panel,AN-B10128,green,1ounce V1.0	1	
04-1	B	2	RK0800500000	jumper	Φ0.8*5mm	10	JP5.7.17.20.38.40.50.70.78.82.
04-1	B	3	RK0800750000	jumper	Φ0.8*7.5mm	29	JP1.2.3.6.14.25.26.27.28.34~36.41.47.48.49.51~53.56.59.61.62.65.69.73.76.77.80
04-1	B	4	RK0801000000	jumper	Φ0.8*10mm	12	JP8.11.15.18.21.22.24.32.54.58.72.75
04-1	B	5	RK0801250000	jumper	Φ0.8*12.5mm	14	JP4.9.10.13.29.30.31.42.45.46.60.64.66.71
04-1	B	6	RK0801500000	jumper	Φ0.8*15mm	6	JP.33.57.63.68.74.79
04-1	B	7	RK0801750000	jumper	Φ0.8*17.5mm	9	JP16.12.19.23.37.43.44.55.81
04-1	B	8	RK0802000000	jumper	Φ0.8*20mm	2	JP39.67
04-1	B	9	R13R00006100	C/R	1/8W,0Ω,±5%,brede style	2	R14 R31
04-1	B	10	R135K1006100	C/R	1/8W,5.1KΩ,±5%,brede style	2	R74-75
04-1	B	11	R1311K006100	C/R	1/8W,11KΩ,±5%,brede style	4	1R25 1R44 2R12,2R17,
04-1	B	12	R13100K06100	C/R	1/8W,100KΩ,±5%,brede style	9	1R56 2R5 2R23,3R5,4R5 4R23,R15,R30,1R58
04-1	B	13	R13100K06100	C/R	1/8W,100KΩ,±5%,brede style	1	3R23
04-1	B	14	R131M0006100	C/R	1/8W,1MΩ,±5%,brede style	8	1R04,1R24,1R34-35,R3,R6 R26 R35
04-1	B	15	R23100R04100	M/O	1/8W,100Ω,±1%,brede style	6	2R11 2R16,3R11 3R16 4R11 4R16
04-1	B	16	R233K9004100	M/O	1/8W,3.9KΩ,±1%,brede style	4	1R49 2R29,3R29 4R29
04-1	B	17	R234K9904100	M/O	1/8W,4.99KΩ,±1%,brede style	23	1R19 1R47-48 1R59 2R6 2R14-15 ,3R6 3R14-15 , 4R6 4R14-15, 1R50,2R13 2R28,3R13 3R28 ,R80-81,4R13 4R28.2R24
04-1	B	18	R234K9904100	M/O	1/8W,4.99KΩ,±1%,brede style	3	1R51,3R24,4R24
04-1	B	19	R236K2004100	M/O	1/8W,6.2KΩ,±1%,brede style	3	R20,1R23,1R30
04-1	B	20	R2310K004100	M/O	1/8W,10KΩ,±1%,brede style	15	R2 R4-5 R7 R10 R23-25 R27,1R20-22 ,1R31-33

擬制:

審核:

批准:

受控 BOM

表格編號: RD-QT-020-B			文件編號: RD-TD-020			頁次: 2/20	
版本: 1.0			機種編號: AC005{GK1}		文件序號:		生效日期:
層次	類別	編號	料號	物料名稱	規格描述	用量	位號及備注
04-1	B	21	R2320K004100	M/O	1/8W,20KΩ,±1%,brede style	1	R13
04-1	B	22	R2321K004100	M/O	1/8W,21KΩ,±1%,brede style	2	R8 R29
04-1	B	23	R2329K404100	M/O	1/8W,29.4KΩ,±1%,brede style	3	R21-22,R9
04-1	B	24	R2329K404100	M/O	1/8W,29.4KΩ,±1%brede style	1	R11
04-1	B	25	R351K0006100	MO/R	1/2W,1KΩ,±5%,brede style	2	R78
04-1	B	26	Q10102116011	C/C	10PF,VDC50,+/-5%,NPO,vertical and basin type,brede style,brown	4	1C16 1C21,C17,C5
04-1	B	27	Q10472116011	C/C	47PF,VDC50,+/-5%,NPO,vertical and basin type,brede style,brown	3	C85 C7 C20
04-1	B	28	Q10682116011	C/C	68PF,VDC50,+/-5%,NPO,vertical and basin type,brede style,brown	8	1C17 1C37 2C13-14,3C13-14 4C13-14
04-1	B	29	Q11012116011	C/C	101,VDC50,+/-5%,NPO,vertical and basin type,brede style,brown	2	C79 C81
04-1	B	30	Q11042556011	C/C	104,VDC50,+80/-20%,Y5V,vertical and basin type,brede style,brown	18	1C27-28 1C30-31 2C20-21 C40-45 C82-83,3C20-21 4C20-21
04-1	C	1	R1311K006410	C/R	1/8W,11KΩ,±5%,vertical,P=2.5MM,cutting the pin	4	3R12,3R17,4R12 , 4R17
04-1	C	2	R236K2004410	M/O	1/8W,6.2KΩ,±1%,vertical ,P=2.5mm,cutting the pin to be 6MM	1	R1
04-1	C	3	R2310K004410	M/O	1/8W,10KΩ,±1%,vertical,P=2.5mm,cutting the pin	3	R28,R4.1R22
04-1	C	4	R351K0004240	MO/R	1/2W,1KΩ,±5%,vertical,P=7.5mm,cutting the pin to	1	R57
04-1	C	5	C12213736C10	E/C	220uF/10V,±20%, -40/+85°C,Φ5*11mm,P=2mm,black,cutting the pin to be 6MM	6	1C20,1C36,2C16,3C15-16 4C15
04-1	C	6	C147R5736C10	E/C	47uF/25V,±20%, -40/+85°C,Φ5*11mm,P=2mm,black,cutting the pin to be 6MM	23	1C8 1C32 1C50 1C52 ,1C90 2C9,2C11,2C12 ,C1 C9-10, C13 C21-22 C78 C80 C84,C69,3C9,3C11,3C12 4C9,4C12
04-1	C	7	C247R5732C10	superminiature E/C	47uF/25V,±20%, -40/+85°C,Φ5*7mm,P=2.0mm,black,cutting the pin to be 6MM	6	2C10,4C10,11,C70,3C10,1C88
04-1	C	8	C22213732C10	superminiature E/C	220uF/10V,±20%, -40/+85°C,Φ5*7mm,P=2.0mm,black,cutting the pin to be 6MM	2	2C15,4C16
04-1	C	9	Q22224108325	polyester capaci	222,VDC100,+/-5%,vertical adhesive type,P=3.5mm,cutting the pin to be 6MM,green	4	C6,C8 C18-19
04-1	C	10	Q23924108325	polyester capaci	392,VDC100,+/-5%,vertical adhesive type,P=3.5mm,cutting the pin to be 6MM,green	4	1C15 1C22 C2 C14

擬制:

審核:

批准:

受控 BOM

表格編號: RD-QT-020-B			文件編號: RD-TD-020			頁次: 3/20	
版本: 1.0			機種編號: AC005{GK1}		文件序號:		生效日期:
層次	類別	編號	料號	物料名稱	規格描述	用量	位號及備注
04-1	C	11	Q22234108625	polyester capaci	223,VDC100,+/-5%,vertical adhesive type,P=5mm,cutting the pin to be6MM,green	8	1C13--14 1C29 1C35 C3-4 C15-16
04-1	C	12	JP4013202130	jack	AN-JP401,2532-02,柏盛(180degree,P=2.5mm)	1	LED
04-1	C	13	JP4023202150	jack	AN-JP402,2532-02,冠福(180degree,P=2.5mm)		
04-1	C	14	JP4033202160	jack	AN-JP403,2532-02,洪揚(180degree,P=2.5mm)		
04-1	C	15	JP802B26Y370	board-to-board connector	AN-JP801,2.54B-2-6Y,精實(6P,P=2.54,180degree)	2	J1-A,J2-A
04-1	D	1	U84580L14070	IC	NJM4580L,SIP8,JRC	10	1U4-5 2U2 U1-3 U7-8,3U2 4U2
04-1	D	2	V15D1103RV10	rotary VR	AN-V15D,single connector,A10K,RV09B-40E1N-165F-A10K-A,艾華,without nut and gasket	4	1VR5 2VR2,3VR2 4VR2
04-1	D	3	V12N2103RV10	rotary VR	AN-V12N,double connector,A10K,RV112B-40E1N-175A-A10K-A,艾華,without nut and gasket	5	1VR3 2VR1 VR4,3VR1 4VR1
04-1	D	4	V15C2503RV10	rotary VR	AN-V15C,double connector,B50K,RV112B-40E1N-175A-B50K-A(ALPHA),sime-circle handle,L=17.5MM with midpoint N	5	1VR1-2 VR1-3
04-1	D	5	S81100B12080	code switch	AN-S811,ES162102E0B-HA1-16P9-FE200B120,升威	1	S2
04-1	D	6	W144661150K3	ribbon wire	AN-W144,6P,22#,UL1007,150mm,red,black,red,black,red,black,柏盛(one end punch2530socket,one end punch 2520)	1	CN4-A
04-1	D	7	WD108HC400K4	屏蔽附线	AN-WD10,8P,24#/22#,UL1007/UL2725,400mm,white,green,black,yellow,black,red,and groundwire is red,宏揚(one end punch socket 2530H-08,one end punch 2520)	1	CN1-B
04-1	D	8	W54357940084	shield wire	AN-W543,5P,24#,UL2725,400mm,,gray(black,green,white and the groundwire is red),宏揚(one end punch 2530socket,one end	1	CN6-B
04-1	D	9	W542479400K4	shield wire	AN-W542,4P,24#,UL2725,400mm,gray(black,green,white and the groundwire is red),宏揚(one end punch 2530 socket,one end punch 2520)	1	CN3-A

擬制:

審核:

批准:

东莞维丰电子有限公司

受控BOM

表格编号: RD-QT-020-B	文件编号: RD-TD-020	序号:	生效日期:
-------------------	-----------------	-----	-------

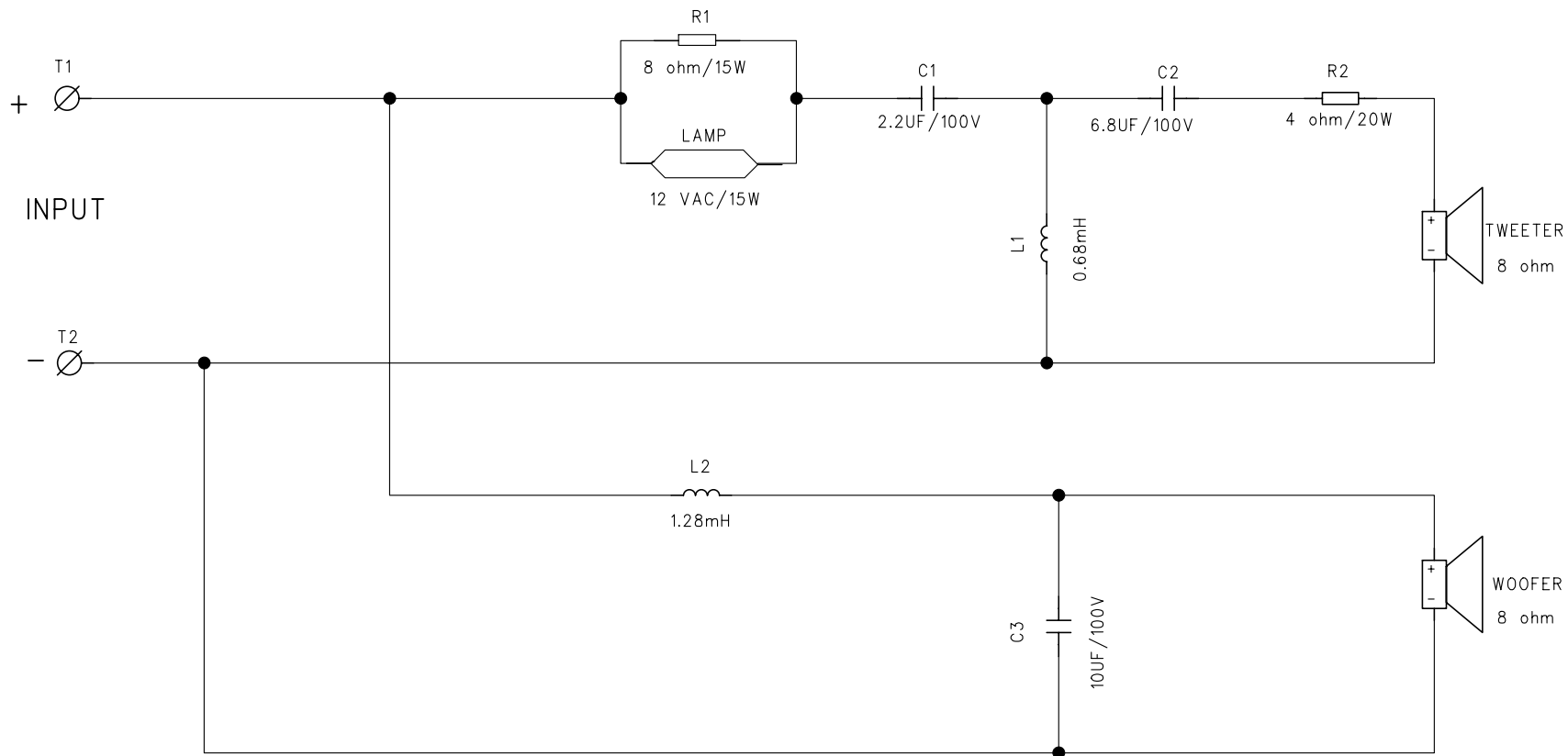
客户编号: A01		机种编号: AC005(GK1)		
项目	層次代號	料号	規格及電壓或目的地	1台订单数量的换算关系
goods	01	01-AC0055710	230V,Europe	1
	01	01-AC0055410	240V,AUS	
	01	01-AC0055110	120V,USA	
	01	01-AC0055310	240V,UK	
merchandise	02	02-AC0055700	230V,Europe	1
	02	02-AC0055400	240V,AUS	
	02	02-AC0055100	120V,USA	
	02	02-AC0055300	240V,UK	
finished products	03	03-AC0053000	120V	1
	03	03-AC0055000	230V	
semi-finished article	04-1	04-FRONT0040	GK1_FRONT V1.0	1
	04-2	04-OREAR0040	GK1_REAR V1.0	1
	04-3	04-KXDSP0040	GKX_DSP V1.0	1
	04-4	04-KXAMP0040	GKX_AMP V1.0	1
	04-5	04-POWER0040	GKX_POWER V1.0	1
	04-6	04-00GK10040	GK1 V1.0	1

變更历史记录		
版本	ECO/联络单编号	變更概述
V1.1	RD04101203	change page 16.20-A
V1.0	RD04101602	change page five
V1.0	RD04102002	change page 14
V1.1	RD04102304	change page19
V1.2	RD04110302	change page 20-A/20
V1.3	RD04111505	change page8,20-A
		change page17.20
V1.2	RD04111902	change page8

備注:

- 1.货品 —— 出货的完整包装品.
- 2.商品 —— 加上完整礼盒包装的成品.
- 3.成品 —— 包装之前,组装完成的物品.
- 4.半成品 —— 后付完成的组件及单独出货的物料.
- 5.編号 —— 按类别排序.
- 6.层次 —— 填层次代號
- 7.类别 —— 按加工顺序分七类:A贴片類 B機插類 C手插類 D后付類
E組裝類 F音箱類 G包裝類
- 8變更概述 —— 如更換圖紙,更換頁次,更換版本,更換BOM,更改版本等.

拟制: 审核: 批准:



COMPANY:					HOMNI ENTERPRISES CO.,LTD.				
TITLE:					GK1 CROSSOVER				
DRAWN:	DATED:	CHECKED:	APPROVED:	DATED:					
Xu Li	04.07.29								
DWG NO.: PT-X-XXXX-XX		SCALE:	SIZE:A3	REV:1.00	SHEET: 1 OF 1				