

# ALESIS RA300 (G5) Service Manual

P/N: 8-31-0098-A

## **ATTENTION!**

THIS DOCUMENT CONTAINS SENSITIVE PROPRIETARY INFORMATION. ALL RECIPIENTS MUST HAVE A CURRENT NON-DISCLOSURE AGREEMENT ON FILE WITH ALESIS DISTRIBUTION, LLC.

**DO NOT DISTRIBUTE THIS DOCUMENT IN ELECTRONIC FORM**

The information in this document contains privileged and confidential information. It is intended only for the use of those authorized by Alesis. If you are not the authorized, intended recipient, you are hereby notified that any review, dissemination, distribution or duplication of this document is strictly prohibited. If you are not authorized, please contact Alesis and destroy all copies of this document. You may contact Alesis at [support@Alesis.com](mailto:support@Alesis.com).

## **Preface**

This document is intended to assist the service technician in the operation, maintenance and repair of the Alesis device. Together with the User Reference Manual, this document provides a complete description of the functionality and serviceability of the Device. Any comments or suggestions you may have pertaining to the document are welcome and encouraged.

### **READ THIS!**

In addition to any purchase price that Alesis may charge as consideration for Alesis selling or otherwise transferring this service manual ("Manual") to you, if you are not a service and repair facility ("Service Center") authorized by Alesis in writing to be an authorized Service Center, Alesis sells or transfers the Manual to you on the following terms and conditions:

Only Service Centers authorized by Alesis in writing are authorized to perform service and repairs covered by an Alesis warranty (if any), and transfer of the Manual to you does not authorize you to be an authorized Service Center. Therefore, if you perform, or if the Manual is used to perform, any service or repairs on any Alesis product or part thereof, any and all warranties of Alesis as to that product and any service contract with Alesis for that product shall be voided and shall no longer apply for such product, even if your services or repairs were done in accordance with the Manual.

All service or repairs done by you or with reference to the Manual shall be solely your responsibility, and Alesis shall have no liability for any such repairs or service work. All such service or repairs are performed at the sole risk of the person performing the service or repairs. You agree that all such work will be performed in a competent, professional and safe manner at all times and to indemnify and fully hold Alesis and its successors and assigns harmless in the event of any failure to so perform.

Your purchase of the Manual shall be for your own ultimate use and shall not be for purposes of resale or other transfer.

As the owner of the copyright to the Manual, Alesis does not give you the right to copy the Manual, and you agree not to copy the Manual without the written authorization of Alesis. Alesis has no obligation to provide to you any correction of, or supplement to, the Manual, or any new or superseding version thereof.

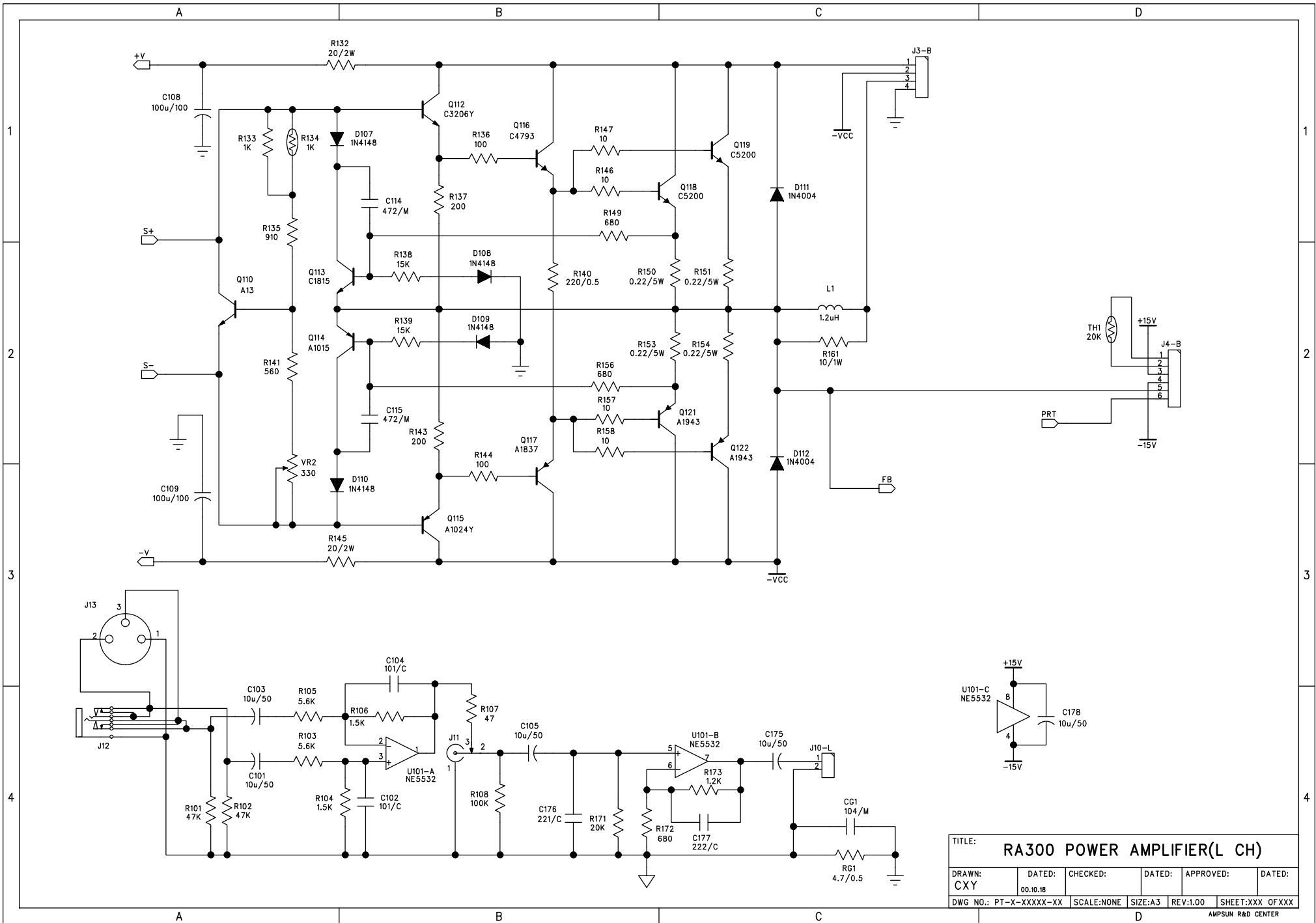
Alesis shall have the right to refuse to sell or otherwise transfer repair parts or materials to you in its sole discretion. You shall not use, sell or otherwise transfer spare or replacement parts supplied by Alesis to you (i) to repair or be used in products manufactured for or by third parties or (ii) to any third parties for any purpose.

You shall not make any warranties or guarantees with respect to the products of Alesis or the use thereof on behalf of Alesis or in your own name.

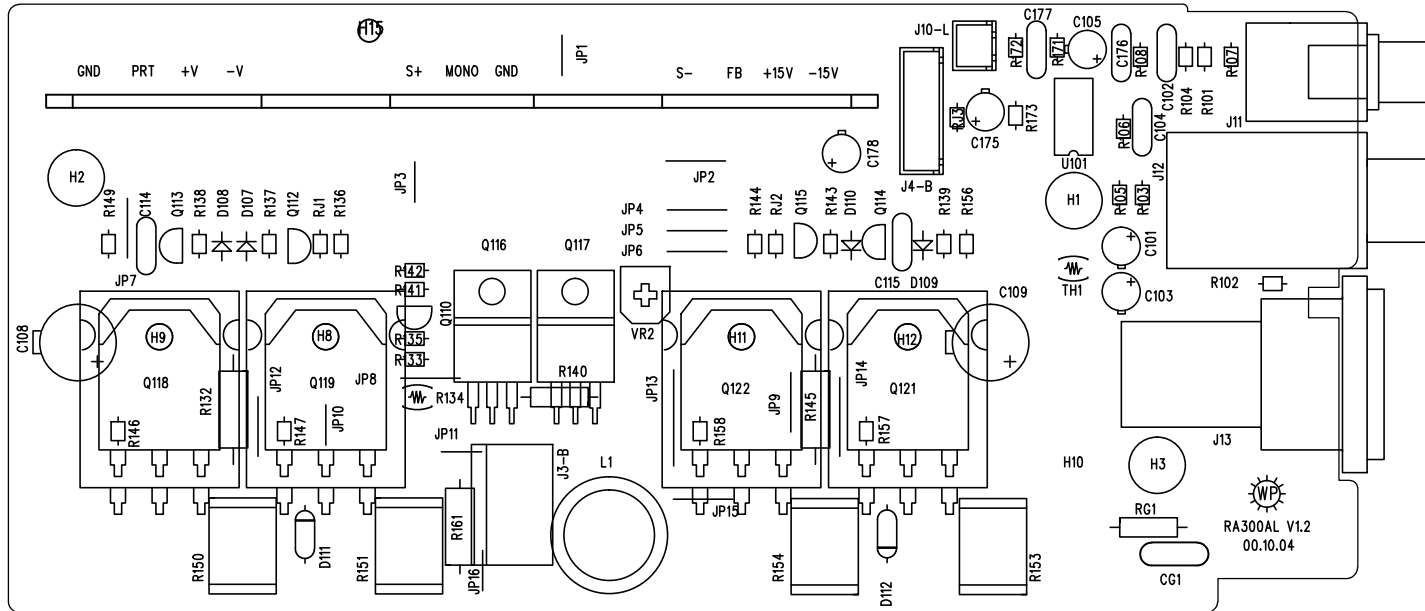
The foregoing describes the entire understanding related to sale or transfer of the Manual to you, and no other terms shall apply unless in a writing signed by an authorized representative of Alesis.

All Trademarks are property of their respective companies.

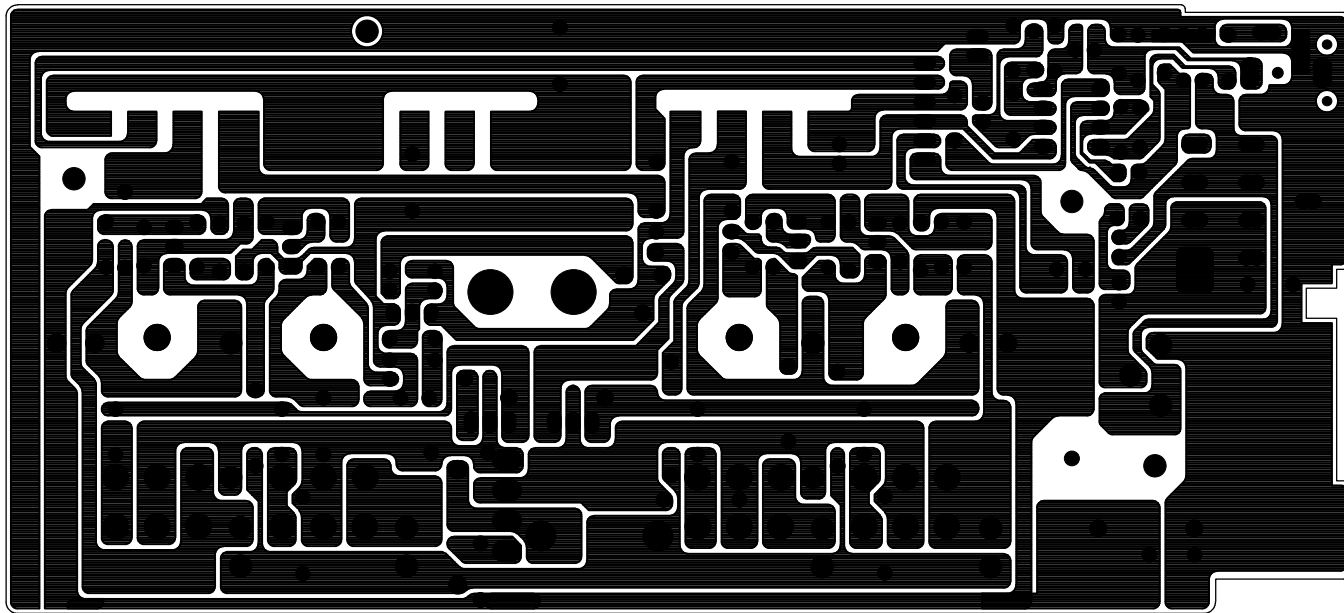
**RA300 (G5)  
SCHEMATIC  
AND  
PCB  
FILES**

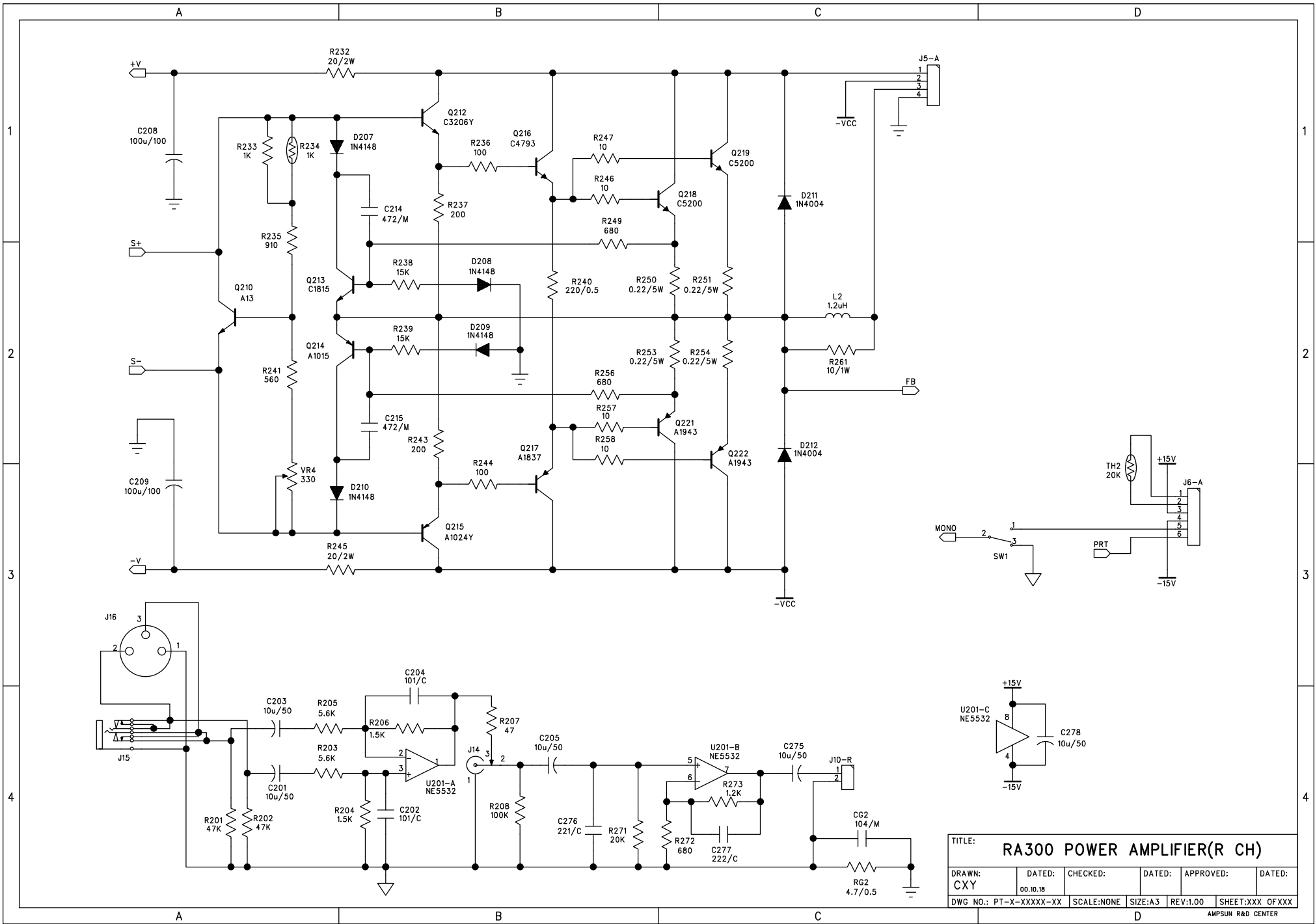


TITLE: RA300 POWER AMPLIFIER(L CH)					
DRAWN: CXY	DATED: 00.10.18	CHECKED:	DATED:	APPROVED:	DATED:
DWG NO.: PT-X-XXXX-XX	SCALE: NONE	SIZE: A3	REV: 1.00	SHEET: XXX OF XXX	
AMPSUN R&D CENTER					

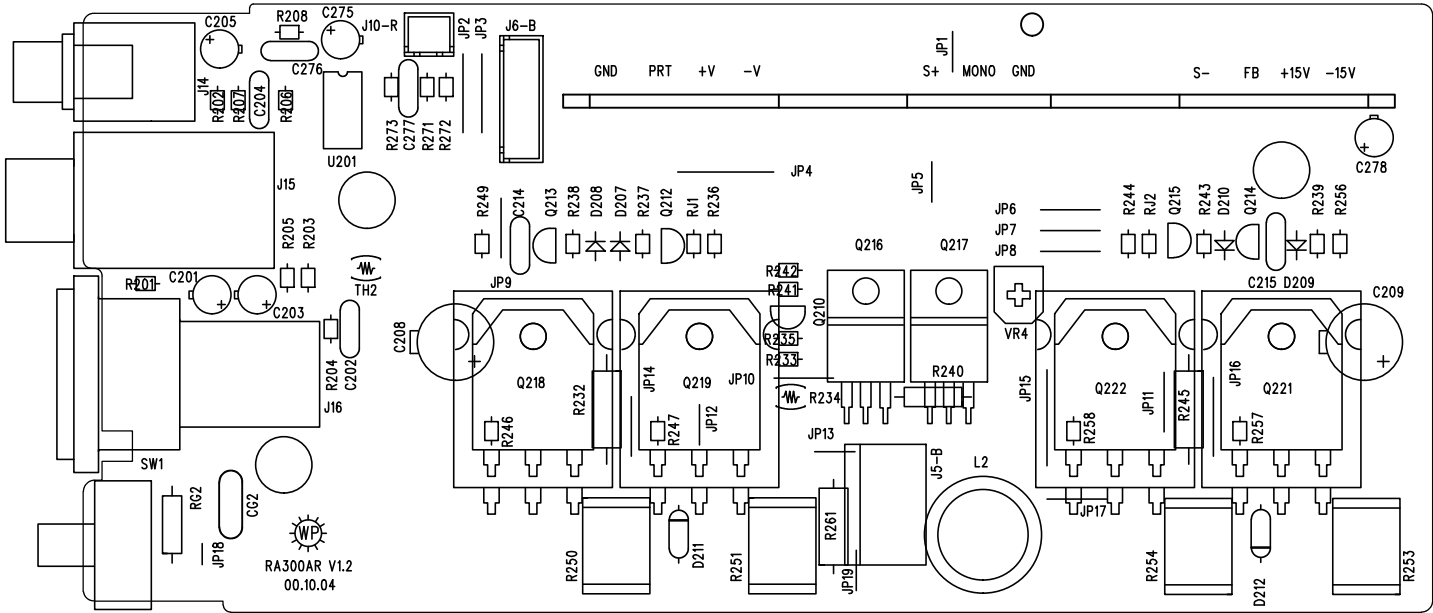


HOMNI ENTERPRISES CO.,LTD  
RA300AL V1.1 00.10.04





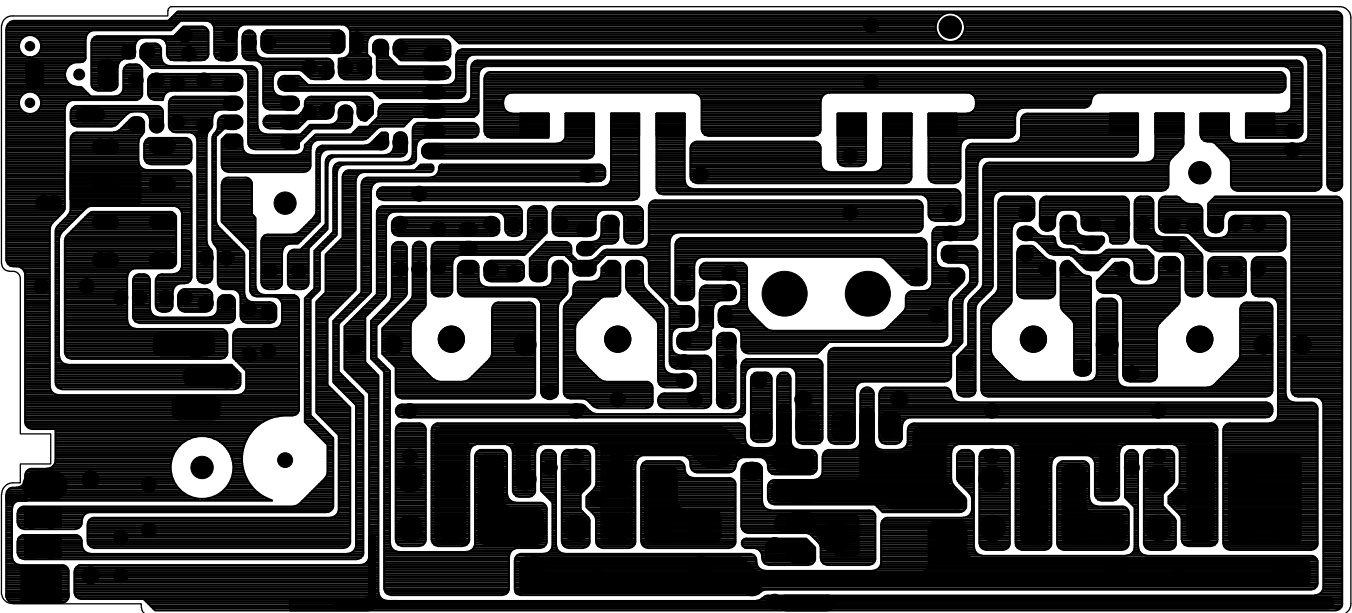
TITLE: RA300 POWER AMPLIFIER(R CH)					
DRAWN: CXY	DATED: 00.10.18	CHECKED:	DATED:	APPROVED:	DATED:
DWG NO.: PT-X-XXXXX-XX	SCALE:NONE	SIZE:A3	REV:1.00	SHEET:XXX OFXXX	
AMPSUN R&D CENTER					

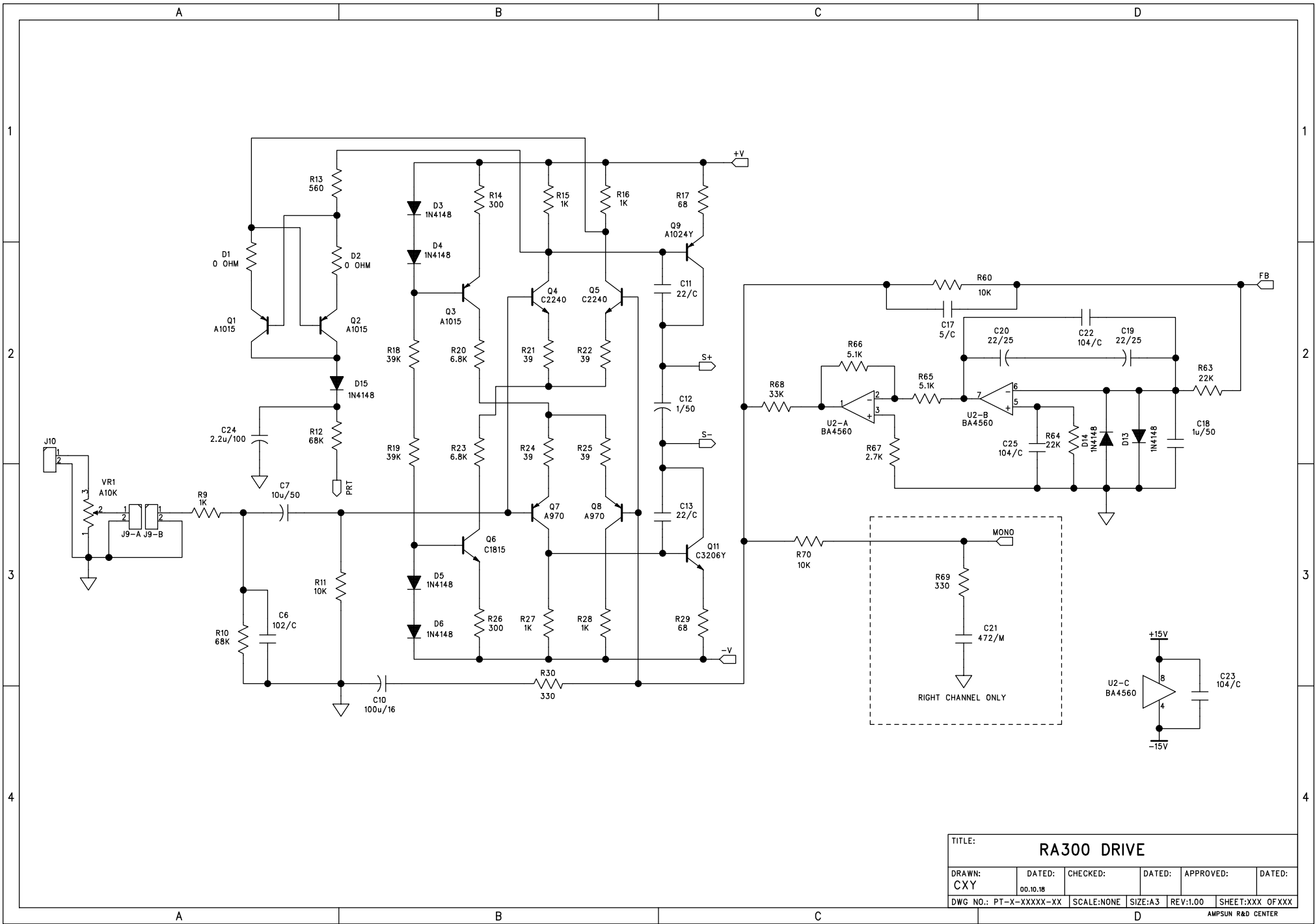


RA3000AR V1.2  
00.10.04

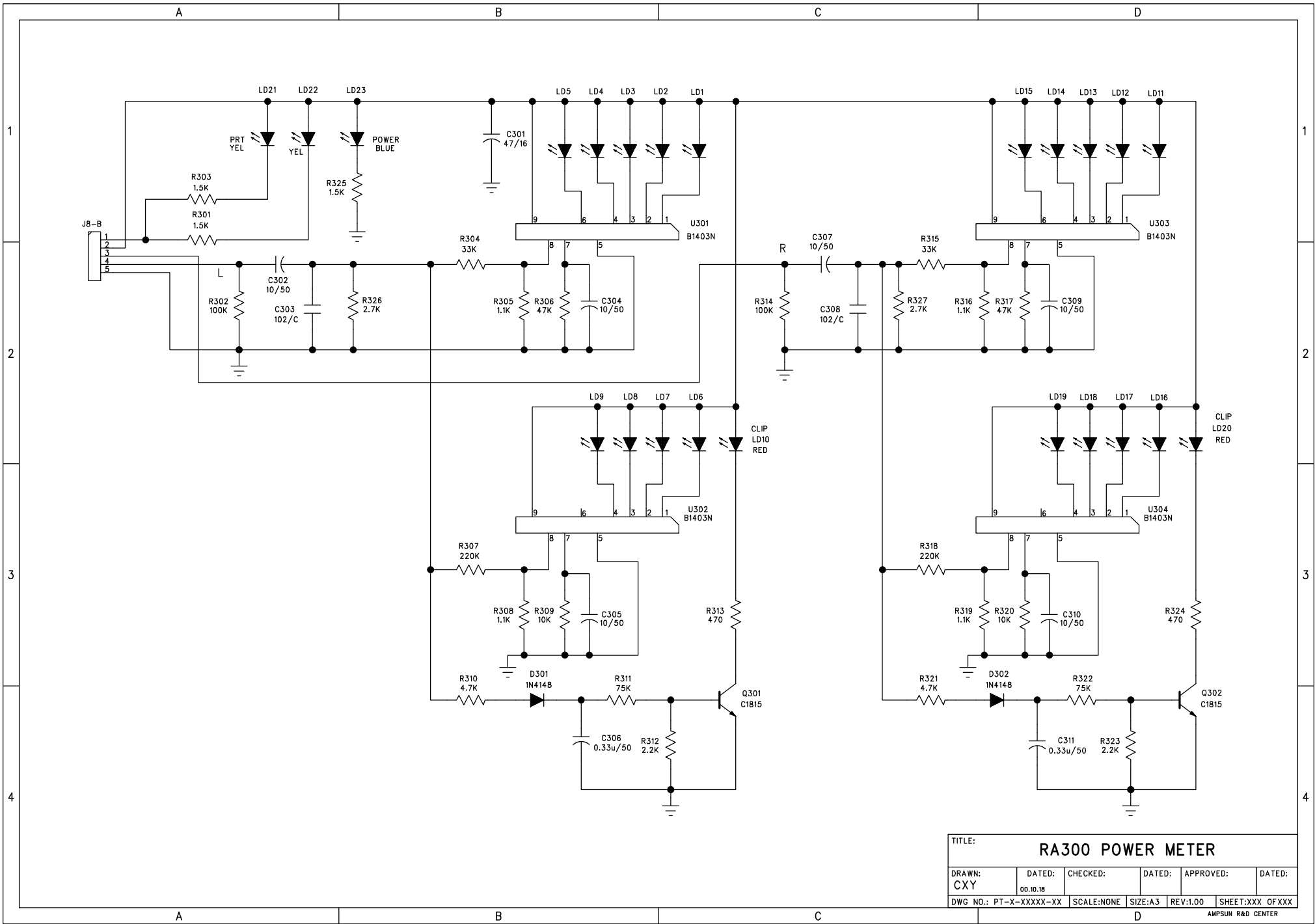
HOMNI ENTERPRISES CO.,LTD  
RA3000AR V1.1 00.10.04  
SILKSCREEN TOP SIDE



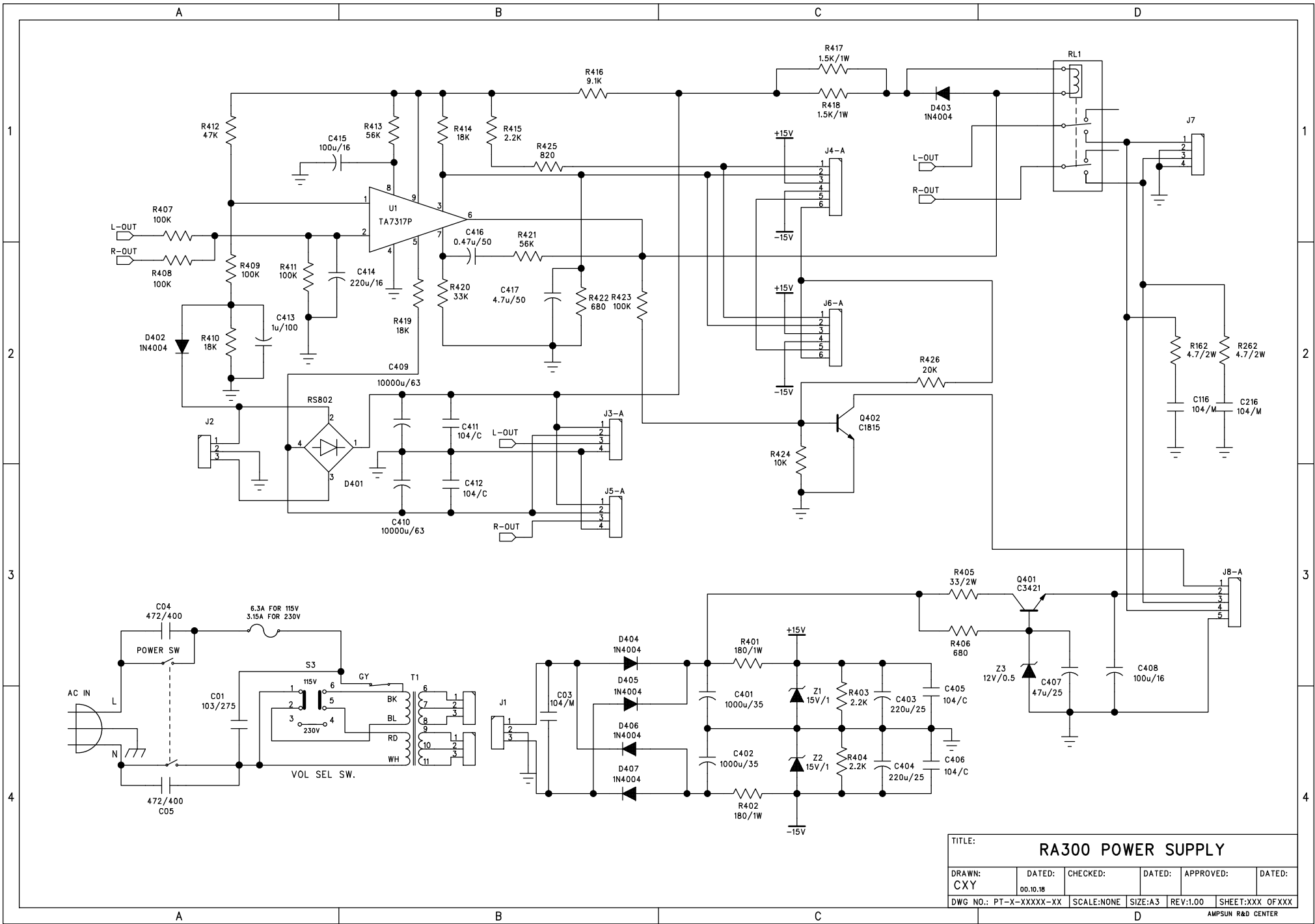




TITLE: RA300 DRIVE					
DRAWN: CXY	DATED: 00.10.18	CHECKED:	DATED:	APPROVED:	DATED:
DWG NO.: PT-X-XXXX-XX	SCALE: NONE	SIZE: A3	REV: 1.00	SHEET: XXX OF XXX	



TITLE: RA300 POWER METER					
DRAWN: CXY	DATED: 00.10.18	CHECKED:	DATED:	APPROVED:	DATED:
DWG NO.: PT-X-XXXX-XX	SCALE:NONE	SIZE:A3	REV:1.00	SHEET:XXX OFXXX	
AMPSUN R&D CENTER					



TITLE: RA300 POWER SUPPLY					
DRAWN: CXY	DATED: 00.10.18	CHECKED:	DATED:	APPROVED:	DATED:
DWG NO.: PT-X-XXXX-XX	SCALE: NONE	SIZE: A3	REV: 1.00	SHEET: XXX OF XXX	

6

5

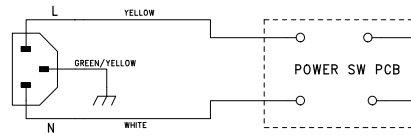
4

3

2

1

IEC CONNECTOR



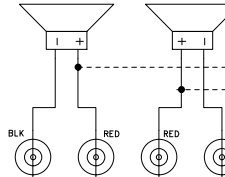
POWER SW PCB

16.3L250V FOR 115V  
T3.0L250V FOR 230V

F1

STEREO

4 OHM L      4 OHM R



BINDING POST

MONO

8 OHM

D

D

C

C

B

B

A

A

L CHANNEL DRIVE PCB

L CHANNEL AMP PCB

POWER SUPPLY PCB

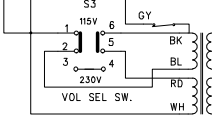
R CHANNEL AMP PCB

R CHANNEL DRIVE PCB

L CHANNEL VR PCB

LED METER PCB

R CHANNEL VR PCB



VOL SEL. SW.

COMPANY: HOMNI ENTERPRISES CO.,LTD.					
TITLE: RA300 WIRING DIGRAM					
DRAWN: CXY	DATED: 00.12.02	CHECKED:	DATED:	APPROVED:	DATED:
DWG NO: PT-X-XXXXX-XX	SCALE: NONE	SIZE: A2	REV: 1.00	SHEET: X OF X	

# RA300 (G5) BOM

# BOM

BOM						
					<b>PE-QT-016-A</b>	
<b>?</b>	<b>PRODUCT</b>		<b>HOME AMP</b>		<b>MODEL</b>	<b>PAGE</b>
					<b>RA300(2*150W)AMP BOARD(L CHANNEL)</b>	
<b>?</b>	<b>NO.</b>	<b>PART NO.</b>	<b>MATERIAL</b>		<b>SPECIFICATION</b>	<b>QTY</b>
?	1	CB0118001000	PCB		RA300AL,V1.2,178.5*80.5mm,2OZ	1
	2	JP1080750000	JUMPER		F0.8*7.5mm	5
	3	JP1081000000	JUMPER		F0.8*10mm	9
	4	JP1081250000	JUMPER		F0.8*12.5mm	1
	5	JP1081500000	JUMPER		F0.8*15mm	1
	6	RR0100000210	C/R		1/8W,0 ohm,+/-5%	3
	7	RR0101000210	C/R		1/8W,10 ohm,+/-5%	4
	8	RR0104700210	C/R		1/8W,47 ohm,+/-5%	1
	9	RR0110000210	C/R		1/8W,100 ohm,+/-5%	2
	10	RR0120000210	C/R		1/8W,200 ohm,+/-5%	2
	11	RR0156000210	C/R		1/8W,560 ohm,+/-5%	1
	12	RR0168000210	C/R		1/8W,680 ohm,+/-5%	2
	13	RR0191000210	C/R		1/8W,910 ohm,+/-5%	1
	14	RR0110010210	C/R		1/8W,1K ohm,+/-5%	1
?	15	RR0115010210	C/R		1/8W,1.5K ohm,+/-5%	2
	16	RR0156010210	C/R		1/8W,5.6K ohm,+/-5%	2
	17	RR0115020210	C/R		1/8W,15K ohm,+/-5%	2
	18	RR0120020210	C/R		1/8W,20K ohm,+/-5%	1
	19	RR0147020210	C/R		1/8W,47K ohm,+/-5%	2
	20	RR0110030210	C/R		1/8W,100K ohm,+/-5%	1
	21	RR0122000410	C/R		1/2W,220 ohm,+/-5%	1
	22	RR0468000210	M/R		1/8W,680 ohm,+/-1%	1
	23	RR0412010210	M/R		1/8W,1.2K ohm,+/-1%	1
	24	RR0300470410	MO/R		1/2W,4.7 ohm,+/-5%	1
	25	RR0301000520	MO/R		1W,10 ohm,+/-5%	1
	26	RR0302000620	MO/R		2W,20 ohm,+/-5%	2
	27	RR0700022842	CEMENT RES		5W,0.22 ohm,+/-5%, 13*9*25mm	4
	28	RR0810010000	THERMAL RES		1K ohm,+/-5%,?????	1
	29	RR0820020001	THERMAL RES		20K ohm,+/-5%,?????,?????	1
	30	CC1100005110	C/C		101/50V,+/-5%,NPO	2
	31	CC1220005110	C/C		221/50V,+/-5%,NPO	1

?	32	CC1220105520		C/C		222/50V,+/-10%,Y5P	1
?	33	CC2100309010		M/C		104/100V,+/-5%	1
	34	CC2470109010		M/C		472/100V,+/-5%	2
	35	EC1100505120		E/C		10UF/50V,+/-20%,85?,F5*12mm	5
	36	EC1100609120		E/C		100UF/100V,+/-20%,85?,F10*20mm	2
	37	IC0710553200		IC		NE5532P,DIP8	1
	38	DI0100414800		DIODE		1N4148,75V,200mA,1/2W	4
	39	DI0100400400		DIODE		1N4004,400V,1A	2
	40	TR0103018150		TR		2SC1815GR,150mA,50V,400mW,NPN	1
?	41	TR0204010150		TR		2SA1015GR,150mA,50V,400mW,PNP	1
	42	TR0116032060		TR		C3206Y,KEC	1
	43	TR0215010240		TR		A1024Y,KEC	1
	44	TR0101000130		TR		MPSA13,500mA,30V,625mV,NPN,DARLINGTON	1
	45	TR0103047930		TR		2SC4793,NPN	1
	46	TR0204018370		TR		2SA1837,PNP	1
	47	TR0103052000		TR		2SC5200,15A,230V,150W,NPN	2
?	48	TR0204019430		TR		2SA1943,15A,230V,150W,PNP	2
?	49	LN3151000100		NARROW CHOKE		ERECT,1.2UH	1
	50	VR5033100200		TRIM VR		331B,F-637V-TR	1
	51	RA1032010000		RCA JACK		AV-8.4-3,3PIN WHITE,GILD	1
	52	JA0800000000		6.35 JACK		CK3-6.35-02B,GILD, WITH PLASTIC NUT	1
?	53	JA0703200000		XLR JACK		900C ANGLE,94M-007P1	1
	54	JA0102110000		2P SOCKET		2532-02-180 DEGREE,P=2.54mm	1
	55	AL5801200410		4PIN PLUG WIRE		18#,4P,P=4.0,L=120mm,WITH 8639 PLUG	1
?	56	AL5201500621		6PIN PLUG WIRE		22#,6P,P=2.54,L=150mm	1



# BOM

PE-QT-016-A							
?	PRODUCT		HOME AMP		MODEL	RA300(2*150W)AMP BOARD PARTS(R CHANNEL)	PAGE
?	NO.	PART NO.		MATERIAL		SPECIFICATION	QTY
?	1	CB0118001001		PCB		RA300AR,V1.2,178.5*80.5mm,2OZ??	1
	2	JP1080500000		JUMPER		F0.8*5mm	1
	3	JP1080750000		JUMPER		F0.8*7.5mm	5
	4	JP1081000000		JUMPER		F0.8*10mm	8
	5	JP1081250000		JUMPER		F0.8*12.5mm	3
	6	JP1081500000		JUMPER		F0.8*15mm	2
	7	RR0100000210		C/R		1/8W,0 ohm,+/-5%	2
	8	RR0101000210		C/R		1/8W,10 ohm,+/-5%	4
	9	RR0104700210		C/R		1/8W,47 ohm,+/-5%	1
	10	RR0110000210		C/R		1/8W,100 ohm,+/-5%	2
	11	RR0120000210		C/R		1/8W,200 ohm,+/-5%	2
	12	RR0156000210		C/R		1/8W,560 ohm,+/-5%	1
	13	RR0168000210		C/R		1/8W,680 ohm,+/-5%	2
	14	RR0191000210		C/R		1/8W,910 ohm,+/-5%,??	1
?	15	RR0110010210		C/R		1/8W,1K ohm,+/-5%	1
	16	RR0115010210		C/R		1/8W,1.5K ohm,+/-5%	2
	17	RR0156010210		C/R		1/8W,5.6K ohm,+/-5%	2
	18	RR0115020210		C/R		1/8W,15K ohm,+/-5%	2
	19	RR0120020210		C/R		1/8W,20K ohm,+/-5%	1
	20	RR0147020210		C/R		1/8W,47K ohm,+/-5%	2
	21	RR0110030210		C/R		1/8W,100K ohm,+/-5%	1
	22	RR0122000410		C/R		1/2W,220 ohm,+/-5%	1
	23	RR0468000210		M/R		1/8W,680 ohm,+/-1%	1
	24	RR0412010210		M/R		1/8W,1.2K ohm,+/-1%	1
	25	RR0300470410		MO/R		1/2W,4.7 ohm,+/-5%	1
	26	RR0301000520		MO/R		1W,10 ohm,+/-5%	1
	27	RR0302000620		MO/R		2W,20 ohm,+/-5%	2
	28	RR0700022842		CEMENT RES		5W,0.22 ohm,+/-5%,ERECT,13*9*25mm	4
	29	RR0810010000		THERMAL RES		1K ohm,+/-5%,NEG TEMPERATER DEGREE	1
	30	RR0820020001		THERMAL RES		20K ohm,+/-5%,NEG TEMP DEGREE, WITH FIXED IRON	1
	31	CC1100005110		C/C		101/50V,+/-5%,NPO	2

?	32	CC1220005110		C/C		221/50V,+/-5%,NPO	1
?	33	CC1220105520		C/C		222/50V,+/-10%,Y5P	1
	34	CC2100309010		M/C		104/100V,+/-5%	1
	35	CC2470109010		M/C		472/100V,+/-5%	2
	36	EC1100505120		E/C		10UF/50V,+/-20%,85?,F5*12mm	5
	37	EC1100609120		E/C		100UF/100V,+/-20%,85?,F10*20mm	2
	38	IC0710553200		IC		NE5532P,DIP8	1
	39	DI0100414800		DIODE		1N4148,75V,200mA,1/2W	4
	40	DI0100400400		DIODE		1N4004,400V,1A	2
?	41	TR0103018150		TR		2SC1815GR,150mA,50V,400mW,NPN	1
	42	TR0204010150		TR		2SA1015GR,150mA,50V,400mW,PNP	1
	43	TR0116032060		TR		C3206Y,KEC	1
	44	TR0215010240		TR		A1024Y,KEC	1
	45	TR0101000130		TR		MPSA13,500mA,30V,625mV,NPN,DARLINGTON	1
	46	TR0103047930		TR		2SC4793,NPN	1
	47	TR0204018370		TR		2SA1837,PNP	1
	48	TR0103052000		TR		2SC5200,15A,230V,150W,NPN	2
?	49	TR0204019430		TR		2SA1943,15A,230V,150W,PNP	2
?	50	LN3151000100		NARROW CHOKE		ERECT,1.2UH	1
	51	VR5033100200		TRIM VR		331B,F-637V-TR	1
	52	RA1032010000		RCA JACK		AV-8.4-3,3PIN ,RED,GILD	1
	53	JA0800000000		6.35 JACK		CK3-6.35-02B,GILD,WITH PLASTIC NUT	1
?	54	JA0703200000		XLR JACK		900C ANGLE,94M-007P1	1
	55	JA0102110000		2P SOCKET		2532-02-180DEGREE,P=2.54mm	1
	56	SW0202204000		SWITCH		SK-22F03-G04,L=4mm(COMAX)	1
	57	AL5803500410		4 PIN SOCKET		18#,4P,P=4.0,L=350mm,WITH 8639 PLUG	1
?	58	AL5203500620		6 PIN SOCKET		22#,6P,P=2.54,L=350mm,	1

# BOM

PE-QT-016-A						
?	RPRODUCT	HOME AMP	MODEL	RA300(2*150W)AMP DRIVER BOARD PARTS(L CHANNEL)		PAGE
?	NO.	PART NO.	MATERIAL	SPECIFICATION		QTY
?	1	CB0818101000	PCB	RA500DRV,V1.1(120*38mm),2OZ??		1
	2	JP1080500000	JUMPER	F0.8*5mm		3
	3	JP1081000000	JUMPER	F0.8*10mm		1
	4	JP1081500000	JUMPER	F0.8*15mm		1
	5	RR0433000210	M/R	1/8W,330 ohm,+/-1%		1
	6	RR0410020210	M/R	1/8W,10K ohm,+/-1%		2
	7	RR0100000210	C/R	1/8W,0 ohm,+/-5%		3
	8	RR0103900210	C/R	1/8W,39 ohm,+/-5%		4
	9	RR0104700210	C/R	1/8W,68 ohm,+/-5%		2
	10	RR0127000210	C/R	1/8W,300 ohm,+/-5%		2
	11	RR0156000210	C/R	1/8W,560 ohm,+/-5%		1
	12	RR0110010210	C/R	1/8W,1K ohm,+/-5%		5
	13	RR0127010210	C/R	1/8W,2.7K ohm,+/-5%		1
	14	RR0151010210	C/R	1/8W,5.1K ohm,+/-5%		2
	15	RR0168010210	C/R	1/8W,6.8K ohm,+/-5%		2
?	16	RR0110020210	C/R	1/8W,10K ohm,+/-5%		1
	17	RR0122020210	C/R	1/8W,22K ohm,+/-5%		2
	18	RR0133020210	C/R	1/8W,33K ohm,+/-5%		1
	19	RR0139020210	C/R	1/8W,39K ohm,+/-5%		2
	20	RR0168020210	C/R	1/8W,68K ohm,+/-5%		2
	21	CC1005005110	C/C	5PF/50V,+/-5%,NPO		1
	22	CC1022009110	C/C	22PF/100V,+/-5%,NPO		2
	23	CC1100105520	C/C	102/50V,+/-10%,Y5P		1
	24	CC1100305250	C/C	104/50V,+80/-20%,Y5V		3
	25	EC4100405120	NON POLARITY E/C	1UF/50V,+/-20%,85?,F4*7mm		1
	26	EC1100405120	E/C	1UF/50V,+/-20%,85?,F5*12mm		1
	27	EC1220409120	E/C	2.2UF/100V,+/-20%,85?,F5*12mm		1
	28	EC1100505120	E/C	10UF/50V,+/-20%,85?,F5*12mm		1
	29	EC1220503120	E/C	22UF/25V,+/-20%,85?,F5*12mm		2
	30	EC3100602120	LOW LEAKAGE E/C	100UF/16V,+/-20%,85?,F6.3*11mm		1
	31	IC0110456000	IC	BA4560,DIP8		1
?	32	DI0100414800	DIODE	1N4148,75V,200mA,1/2W		7
?	31	TR0103018150	TR	2SC1815GR,150mA,50V,400mW,NPN		1

	32	TR0204010150		TR		2SA1015GR,150mA,50V,400mW,PNP	3
?	33	TR0103022400		TR		2SC2240,100mA,120V,400mW,NPN	2
	34	TR0204009700		TR		2SA970,100mA,120V,400mW,PNP	2
	35	TR0215010240		TR		A1024Y,KEC	1
?	36	TR0116032060		TR		C3206Y,KEC	1
?	37	JA0102110000		2P SOCKET		2532-02-180?,P=2.54mm	1
	38	AL3501800220		2P SHIELD CABLE		2P,P=2.54mm,L=180mm	1
?	39	AL3502200220		2P SHIELD CABLE		2P,P=2.54mm,L=220mm	1
	40	VR1210307200		VR		F10K,AV16A-20-F14(ALPHA),L=20mm	1
		??:					

# BOM

PE-QT-016-A							
?	PRODUCT		HOME AMP		MODEL	RA300(2*150W)AMP DRIVER BOARD PARTS(R CHANNEL)	PAGE
?	NO.	PART NO.		MATERIAL		SPECIFICATION	QTY
?	1	CB0818101000		PCB		RA500DRV,V1.1(120*38mm),2OZ??	1
	2	JP1080500000		JUMPER		F0.8*5mm	2
	3	JP1081000000		JUMPER		F0.8*10mm	1
	4	JP1081500000		JUMPER		F0.8*15mm	2
	5	RR0433000210		M/R		1/8W,330 ohm,+/-1%	2
	6	RR0410020210		M/R		1/8W,10K ohm,+/-1%	2
	7	RR0100000210		C/R		1/8W,0 ohm,+/-5%	3
	8	RR0103900210		C/R		1/8W,39 ohm,+/-5%	4
	9	RR0104700210		C/R		1/8W,68 ohm,+/-5%	2
	10	RR0127000210		C/R		1/8W,300 ohm,+/-5%	2
	11	RR0156000210		C/R		1/8W,560 ohm,+/-5%	1
	12	RR0110010210		C/R		1/8W,1K ohm,+/-5%	5
	13	RR0127010210		C/R		1/8W,2.7K ohm,+/-5%	1
	14	RR0151010210		C/R		1/8W,5.1K ohm,+/-5%	2
	15	RR0168010210		C/R		1/8W,6.8K ohm,+/-5%	2
?	16	RR0110020210		C/R		1/8W,10K ohm,+/-5%	1
	17	RR0122020210		C/R		1/8W,33K ohm,+/-5%	1
	18	RR0133020210		C/R		1/8W,39K ohm,+/-6%	2
	19	RR0139020210		C/R		1/8W,68K ohm,+/-5%	2
	20	RR0168020210		C/R		1/8W,22K ohm,+/-5%	1
	21	CC1005005110		C/C		5PF/50V,+/-5%,NPO	1
	22	CC1022009110		C/C		22PF/100V,+/-5%,NPO	2
	23	CC1100105520		C/C		102/50V,+/-10%,Y5P	1
	24	CC1100305250		C/C		104/50V,+80/-20%,Y5V	3
	25	CC2470109010		M/C		472/100V,+/-5%	1
	26	EC4100405120		NON POLARITY E/C		1UF/50V,+/-20%,85?,F4*7mm	1
	27	EC1100405120		E/C		1UF/50V,+/-20%,85?,F5*12mm	1
	28	EC1220409120		E/C		2.2UF/100V,+/-20%,85?,F5*12mm	1
	29	EC1100505120		E/C		10UF/50V,+/-20%,85?,F5*12mm	1
	30	EC1220503120		E/C		22UF/25V,+/-20%,85?,F5*12mm	2
	31	EC3100602120		LOW LEAKAGE E/C		100UF/16V,+/-20%,85?,F6.3*11mm	1

?	32	IC0110456000		IC	BA4560,DIP8	1
?	33	DI0100414800		DIODE	1N4148,75V,200mA,1/2W	7
	34	TR0103018150		TR	2SC1815GR,150mA,50V,400mW,NPN	1
	35	TR0204010150		TR	2SA1015GR,150mA,50V,400mW,PNP	3
?	36	TR0103022400		TR	2SC2240,100mA,120V,400mW,NPN	2
	37	TR0204009700		TR	2SA970,100mA,120V,400mW,PNP	2
	38	TR0215010240		TR	A1024Y,KEC	1
?	39	TR0116032060		TR	C3206Y,KEC	1
?	40	JA0102110000		2P SOCKET	2532-02-180 ,P=2.54mm	1
	41	AL3501800220		2P SHIELD CABLE	2P,P=2.54mm,L=180mm	1
?	42	AL3502200220		2P SHIELD CABLE	2P,P=2.54mm,L=220mm	1
	43	VR1210307200		VR	F10K,RV16A-20-F14(ALPHA),L=20mm	1

# BOM

PE-QT-016-A						
?	PRODUCT	HOME AMP	MODEL	RA300(2*150W)AMP POWER BOARD PARTS	PAGE	
?	NO.	PART NO.	MATERIAL	SPECIFICATION	QTY	
?	1	CB0918101000	PCB	RA500PWR,V1.1 (179*90mm),2OZ??	1	
	2	JP1080500000	JUMPER	F0.8*5mm	1	
	3	JP1080750000	JUMPER	F0.8*7.5mm	1	
	4	JP1081000000	JUMPER	F0.8*10mm	3	
	5	JP1081250000	JUMPER	F0.8*12.5mm	1	
	6	JP1081500000	JUMPER	F0.8*15mm	6	
	7	JP1082000000	JUMPER	F0.8*20mm	3	
	8	RR0100000210	C/R	1/8W,0 ohm,+/-5%	1	
	9	RR0168000210	C/R	1/8W,680 ohm,+/-5%	1	
	10	RR0122010210	C/R	1/8W,2.2K ohm,+/-5%	2	
	11	RR0191010210	C/R	1/8W,9.1K ohm,+/-6%,	1	
	12	RR0110020210	C/R	1/8W,10K ohm,+/-5%,	1	
	13	RR0118020210	C/R	1/8W,18K ohm,+/-5%,	3	
?	14	RR0120020210	C/R	1/8W,20K ohm,+/-5%,	1	
	15	RR0133020210	C/R	1/8W,33K ohm,+/-5%,	1	
	16	RR0147020210	C/R	1/8W,47K ohm,+/-5%,	1	
	17	RR0156020210	C/R	1/8W,56K ohm,+/-5%,	2	
	18	RR0110030210	C/R	1/8W,100K ohm,+/-5%,	5	
	19	RR0468000210	M/R	1/8W,680 ohm,+/-1%,	1	
	20	RR0482000210	M/R	1/8W,820 ohm,+/-1%,	1	
	21	RR0422010210	M/R	1/8W,2.2K ohm,+/-1%,	1	
	22	RR0303300650	MO/R	2W,33 ohm,+/-5%	1	
	23	RR0318000550	MO/R	1W,180 ohm,+/-5%	2	
	24	RR0315010550	MO/R	1W,1.5K ohm,+/-5%	2	
	25	RR0300470620	MO/R	2W,4.7 ohm,+/-5%,	2	
	26	CC1100309250	C/C	104/100V,+80/-20%,Y5V	4	
	27	CC2100309010	M/C	104/100V,+/-5%	4	
	28	EC1470305120	E/C	0.47UF/50V,+/-20%,85?,F5*12mm	1	
	29	EC1100409120	E/C	1UF/100V,+/-20%,85?,F5*12mm	1	
	30	EC1470405120	E/C	4.7UF/50V,+/-20%,85?,F5*12mm	1	
?	31	EC1470503120	E/C	47UF/25V,+/-20%,85?,F5*12mm	1	

?	32	EC1100602120		E/C		100UF/16V,+/-20%,85?,F5*12mm	2
	33	EC1220602120		E/C		220UF/16V,+/-20%,85?,F6.3*12mm	1
	34	EC1220603121		E/C		220UF/25V,+/-20%,85?,F8*12mm	2
	35	EC1680705130		E/C		1000UF/35V,+50/-0%,85?,F13*21mm	2
	36	EC1100806130		E/C		10000UF/63V,+50/-0%,85?,F30*52mm	2
	37	CC8470115030		APPROVED CAP		472/400V,+/-20%,C/C,(NEED UL,CE APPROVED)	2
	38	CC8100214020		APPROVED CAP		103/275V,+/-20%,(NEED UL CE APPROVED)	1
?	39	IC0620731700		IC		TA7317P,SIP9	1
	40	ZD1012010000		ZENNER DIODE		12V,1/2W	1
	41	ZD1015020000		ZENNER DIODE		1W,15V	2
	42	DI0100400400		DIODE		1N4004,400V,1A	6
	43	DI0300080200		BRIDGE RECTIFIER		RS802,8A/200V	1
	44	TR0103018150		TR		2SC1815GR,150mA,50V,400mW,NPN	1
?	45	TR0103034210		TR		C3421,NPN	1
?	46	JA0102320000		SOCKET		2PIN,PITCH=4mm	1
	47	JA0103320000		SOCKET		3PIN,PITCH=4mm	1
	48	JA0104320000		SOCKET		4PIN,PITCH=4mm	3
	49	JA0103110000		3P SOCKET		2532-03-180 ,P=2.54mm	1
?	50	JA0105110000		5P SOCKET		2532-05-180 ,P=2.54mm	1
	51	JA0106110000		6P SOCKET		2532-06-180 ,P=2.54mm	2
	52	SW0900000000		POWER SWITCH		8212-2(CHILY),WITH M3.0*0.5mm SCREW THREAD	1
	53	PD6000000000		SLIP		E665	3
?	54	RE8010012000		RELAY		12V,DW321-D12S,(10A)	1



# BOM

PE-QT-016-A							
?	PRODUCT		HOME AMP		MODEL	RA300(2*150W) AMP POWER INDICATOR PARTS	PAGE
?	NO.	PART NO.		MATERIAL		SPECIFICATION	QTY
?	1	CB1017901000		PCB		RA500LED,V1.1 (125*40mm),2OZ	1
	2	JP1080500000		JUMER		F0.8*5mm	3
	3	RR0147000210		C/R		1/8W,470 ohm,+/-5%,	2
	4	RR0111010210		C/R		1/8W,1.1K ohm,+/-5%,	4
	5	RR0115010210		C/R		1/8W,1.5K ohm,+/-5%,	3
	6	RR0122010210		C/R		1/8W,2.2K ohm,+/-5%,	2
	7	RR0127010210		C/R		1/8W,2.7K ohm,+/-5%,	2
	8	RR0147010210		C/R		1/8W,4.7K ohm,+/-5%,	2
	9	RR0110020210		C/R		1/8W,10K ohm,+/-5%,	2
?	10	RR0133020210		C/R		1/8W,33K ohm,+/-5%,	2
	11	RR0147020210		C/R		1/8W,47K ohm,+/-5%,	2
	12	RR0175020210		C/R		1/8W,75K ohm,+/-5%,	2
	13	RR0110030210		C/R		1/8W,100K ohm,+/-5%,	2
	14	RR0122030210		C/R		1/8W,220K ohm,+/-5%,	2
	15	CC1100105520		C/C		102/50V,+/-10%,Y5P	2
	16	EC2330305120		MINI E/C		0.33UF/50V,+/-20%,85?,F5*7mm	2
	17	EC2100505120		MINI E/C		10UF/50V,+/-20%,85?,F5*7mm	6
	18	EC1100806130		MINI E/C		47UF/16V,+/-20%,85?,F5*7mm	1
	19	IC1120140300		IC		LB1403N,SIP9	4
?	20	DI0100414800		DIODE		1N4148,75V,200mA,1/2W	2
?	21	LD0245580100		LED		GREEN,LX7030,5*1mm,5*2.8mm	18
	22	LD0135580100		LED		RED,LX7030,5*1mm,5*2.8mm	2
?	23	LD0465580100		LED		YELLOW,LX7030,?5*1mm,?5*2.8mm	2
	24	LD1012205020		LED		2*5mm, RB432NC	1
	25	TR0103018150		TR		2SC1815GR,150mA,50V,400mW,NPN	2
?	26	AL5302000520		5P PLUG WIRE		5PIN,P=2.54mm,24#,UL1007,L=200mm	1

# BOM

BOM						
?	PRODUCT	HOME AMP	MODEL	PE-QT-016-A	RA300(2*150W )PROFESSIONAL AMPLIFIER	PAGE
?	NO.	PART NO.	MATERIAL	SPECIFICATION		QTY
	1	SM1018000000	RA300LED PARTS	2*150W AMP POWER INDICATORPCBPARTS		1
	2	SM1118000000	RA300PWRPARTS	2*150W AMP POWER BOARD PARTS PARTS		1
	3	SM1218000000	RA300DRV-LPARTS	2*150W AMP DRIVER BOARD PARTS(L CHANNEL)		1
	4	SM1218000001	RA300DRV-RPARTS	2*150W AMP DRIVER BOARD PARTS(R CHANNEL)		1
	5	SM0118000000	RA300ALPARTS	2*150W AMP BOARD PARTS(L CHANNEL)		1
	6	SM0118000001	RA300ARPARTS	2*150W AMP BOARD PARTS(R CHANNEL)		1
	7	FU2060125000	FUSE	5*20mm,GST6A250V(GST)FOR		1
		FU2030125000		115V,5TT3A250V(5TT)FOR 230V		
	8	FS2000000002	FUSE HOLDER	FH-B02		1
	9	TT2221322300	EI POWER TRANSFORMER	300W,AC115/230V INPUT, AC39.5V*2&20V*2 OUTPUT		1
	10	PP2102202800	MICA FILM	22*28mm		8
	11	WL2150120400	GND CABLE	L=150mm,18# YELLOW IN GREEN		1
	12	WL4120050570	UL1617CABLE	L=120mm,20# YELLOW		1
	13	WL4280050560	UL1617CABLE	L=280mm,20# YELLOW		1
	14	WL4280100570	UL1617CABLE	L=280mm,20#WHITE		1
	15	WL4220050500	UL1617CABLE	L=220mm,20#YELLOW,TINNING		1
	16	WL4180100560	UL1617CABLE	L=180mm,20#WHITE		1
	17	WL4250100560	UL1617CABLE	L=250mm,20#WHITE		1
	19	WL5801800410	4PINCABLE	L=180mm,18#,UL1015,PITCH=4mm		1
	20	HP1233110000	BINDING POST	A215BK ,GILD		2
	21	SW1100000000	VOLTAGE SELECT SWITCH	HF-308		1
	22	JA0403000002	POWER SOCKET	3PIN,3516-4 )		1
	23	PT1040015000	THERMAL SLEEVE	F4*15mm,BLK		8
	24	PT1200040000	THERMAL SLEEVE	F20*40mm,BLK		1
	25	PT1250040000	THERMAL SLEEVE	F25*40mm,BLK		1
	26	PT1400040000	THERMAL SLEEVE	F40*40mm,BLK		1
	27	PB0600000000	BUSHING	F2.4*80mm		6
?	28	PB0600000001	BUSHING	F2.5*100mm		8
				METAL PARTS		
				PACKAGE		

# BOM

BOM						
					PE-QT-016-A	
?	PRODUCT		HOME AMP		MODEL RA300(2*150W) MECHANIC PARTS	PAGE
?	NO.	PART NO.		MATERIAL	SPECIFICATION	QTY
?	1	MT0117925800		TOP COVER	?1.50MM????BLK??	1
	2	MT0718025800		BOTTOM COVER	?1.50MM????BLK??	1
	3	MT1018025800		LEFT SIDE PANEL	?1.50MM????BLK??	1
	4	MT1018025801		RIGHT SIDE PANEL	?1.50MM????BLK??	1
	5	PL1617911700		VR SWITCH	ABS ???	2
	6	PM2000000000		PLASTIC FOOT	BLK??,SR-80?	4
	7	PM2005017001		PLASTIC FOOT	F17*5*4mm	4
	8	PM1008008002		FOAM	8*8*3mm,????	1
	9	PM1008090000		FOAM	90*8*2mm,????,??	2
	10	PL2618040300		LENS	PC???	1
	11	PL2718040100		LED BRACKET	ABS BLACK	1
	12	PL0118040300		PLATE	PA765+ SMOKY GRAY	1
	13	PL1717910100		SWITCH BUTTON	ABS RED	1
	14	PL1017911700		??	ABS SILIVER	1
	15	PL1117920501		LED COVER	PS SEMITRANSPARENT WHITE	1
?	16	HS0818030100		LEFT HEAT SINK	ANODIZE ALUMUN BLK	1
	17	HS0818030101		RIGHT HEAT SINK	ANODIZE ALUMUN BLK	1
	18	PC5403071300		COPPER	??M4*4?+M3*8???	6
	19	PC5403071000		COPPER	??M3*10	4
	22	SC3005206110		SCREW	M3*5 ROUND BLK	3
	21	SC3006206110		SCREW	M3*6 ROUND BLK	7
	31	SC3008206110		SCREW	M3*8 ROUND BLK	4
	32	SC3008206120		SCREW	M3*8 ROUND ??	1
	29	SC3010206110		SCREW	M3*12ROUND BLK	8
	30	SC3014206110		SCREW	M3*14 ROUND BLK	1
	23	SC4006206110		SCREW	M4*6 ROUND BLK	4
	24	SC4010206110		SCREW	M4*10 ROUND BLK	16
	26	SC3006203110		SCREW	M3*6 ?? BLK	2
	20	SC3006208110		SCREW	M3*6 ?? BLK	16
	25	SC4012208150		SCREW	M4*12 ?? ??	4
	28	SC4014208110		SCREW	M4*14 ?? BLK	4

?	33	SC4006212130		SCREW	M4*6 ???(??) ??	4
?	27	SC3006102210		SCREW	3*6 ????? BLK	10
	34	MS2113055250		NUT	M3 BLK	1
	35	MS2133055250		NUT	M3 NICKEL	1
	36	MS2114070300		NUT	M4BLK	4
	37	MS1114210100		FLAT WASHER	OD10*ID4.2*1.0THK BLACK	4
?	38	MS1113210100		FLAT WASHER	OD10*ID3.2*1.0THK BLACK	9
	39	MS1113208080		FLAT WASHER	OD8*ID3.2*0.8THK BLACK	4
	40	MS1113206030		FLAT WASHER	OD6*ID3.2*0.3THK BLACK	3
	41	MS1123210100		STAR WASHER	OD10*ID3.2*1.0THK ???	1
?	42	MS1324210100		STAR WASHER	OD10*ID4.2*1.0THK ?? ???	4

## BOM

BOM					
				PE-QT-016-A	
?	PRODUCT		HOME AMP	MODEL RA300(2*150W) PACKAGE	PAGE
?	NO.	PART NO.	MATERIAL	SPECIFICATION	QTY
?	1	PW3112220000	POWER SUPPLY CABLE	3PIN DOUBLE INSULATE ULPOWER CABLE, 18#,21-00628-02	1
	2	PA1120280300	PE BAG	120*280*0.1mm	1
	3	PA1370660300	PE BAG	370*660*0.1mm	1
	4	PA1240350300	PE BAG	240*350*0.1mm	1
	5	PA1060120100	PE BAG	60*120*0.06mm	1
	6	LB1797020000	MANNUAL	RA????	1
	7	LB1791020000	WARRANTY CARD	??	1
	8	LB1790020001	SERVICE ADRESS	??	1
	9	LB1790020000	???	??	1
?	10	PR1790600000	MODEL STIKER	??	1
	11	LB1790020002	COLOR PAPER	???	1
	13	PR1800200000	BAR CORD(LARGE)	??	2
*	14	PR1800200001	BAR CORA(SMALL)	??	6
	15	PR1790000001	QC LABEL	??	1
	16	PR1790000000	GND STIKER		1
	17	PR0001100000	ORIGINAL STIKER	MADE IN CHINA	1
	18	AS0200000000	DESICCANT		2
	19	XB1800705000	POLY FOAM	RA300	2
	20	XB1800300000	GIFT BOX	RA300	1
?	21	XB1800420000	CARTON	RA300	1/2